



XJ range

DATE 05/05

XJ501-16

SERVICE

TECHNICAL BULLETIN

**Electrical Seat Judder, Noisy/Inoperative –
Lubrication/Motor –
Repair Procedures**

MODEL 2004 MY-ON
XJ range

VIN G00001-ON

Issue:

Some 2004 MY-ON XJ vehicles may exhibit front seats that are inoperative, noisy or judder. These conditions can be caused by a lack of lubrication or failure of the motor.

Action:

Should a customer experience the listed electrical seat faults, follow the relevant Workshop Procedure below.

Identify which seat track axis is at fault:

- * Front tilt/height rise or cushion extension - Follow workshop procedure 1.
- * Rear height rise - Follow workshop procedure 2.
- * Fore/aft - Follow workshop procedure 3.

WORKSHOP PROCEDURE 1 - FRONT TILT/HEIGHT RISE OR CUSHION EXTENSION

If the motor is faulty:

1. Install a new front seat base (see Global Technical Reference GTR Workshop Manual, section: 501-10).

Juddering or noisy seat operation:

2. Remove front seat (see Global Technical Reference GTR Workshop Manual, section: 501-10).
3. Transfer the seat onto a suitable work surface.
4. Remove the seat switch panel securing screws, and displace switch panel from the seat base.

NOTE: THE INFORMATION IN TECHNICAL BULLETINS IS INTENDED FOR USE BY TRAINED, PROFESSIONAL TECHNICIANS WITH THE KNOWLEDGE, TOOLS, AND EQUIPMENT TO DO THE JOB PROPERLY AND SAFELY. IT INFORMS THESE TECHNICIANS OF CONDITIONS THAT MAY OCCUR ON SOME VEHICLES, OR PROVIDES INFORMATION THAT COULD ASSIST IN PROPER VEHICLE SERVICE. THE PROCEDURES SHOULD NOT BE PERFORMED BY "DO-IT-YOURSELFERS." DO NOT ASSUME THAT A CONDITION DESCRIBED AFFECTS YOUR CAR. CONTACT A JAGUAR DEALER TO DETERMINE WHETHER THE BULLETIN APPLIES TO YOUR VEHICLE.

5. Check if grease is present at the front tilt slideway area, Illustration 1, and if installed, cushion extension slideway area, if not, apply grease. If grease is present, carry out step 11.

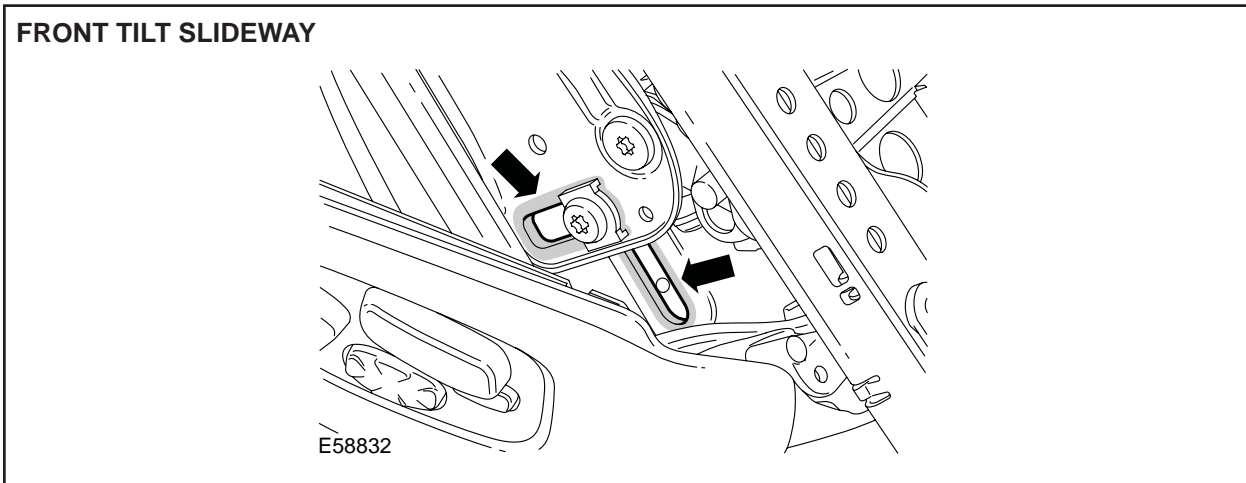


ILLUSTRATION 1

6. If vehicle is equipped with the cushion extension function, apply grease to cushion extension motor gearbox pivot area, Illustration 2.

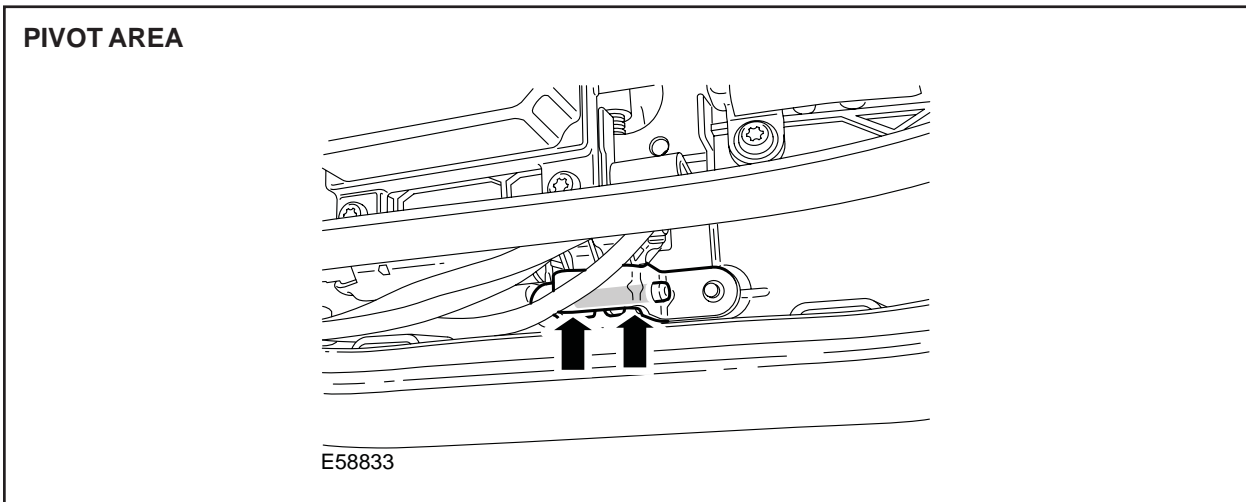


ILLUSTRATION 2

7. If cushion extension function is installed, apply grease to cushion extension operating screw (Illustration 3).

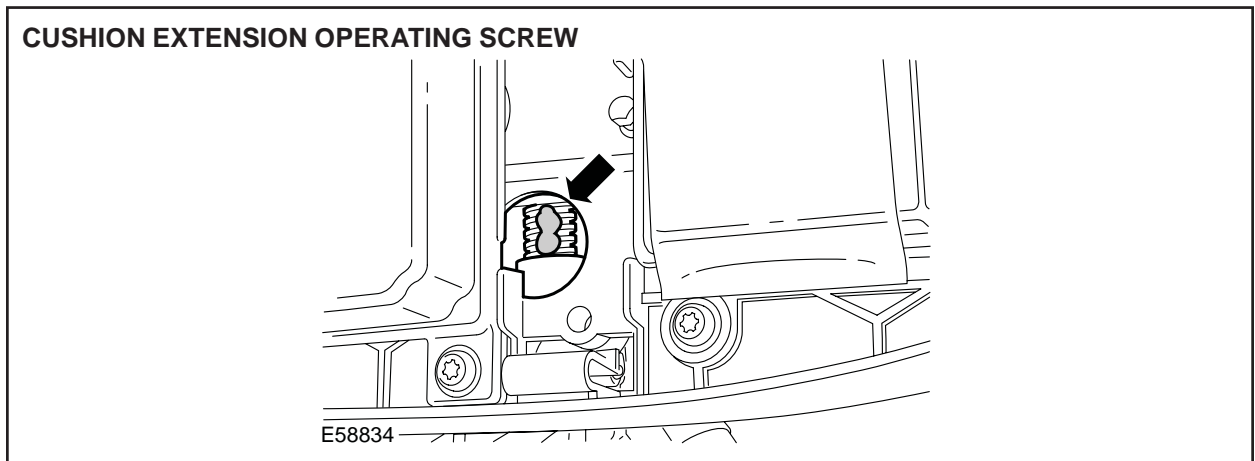


ILLUSTRATION 3

8. Install seat switch and panel assembly to seat base, install and tighten securing screws.
9. Install seat (see Global Technical Reference GTR Workshop Manual, section: 501-10).
10. Operate seat to extremes of travel five times.

If the fault is still apparent:

11. Install a new front seat base (see Global Technical Reference GTR Workshop Manual, section: 501-10).

WORKSHOP PROCEDURE 2 - REAR HEIGHT RISE

Check for grease and gearbox damage.

1. Remove front seat (see Global Technical Reference GTR Workshop Manual, section: 501-10).
2. Transfer the seat onto a suitable work surface.
3. Unhook bungee cord from tray, (Illustration 4).

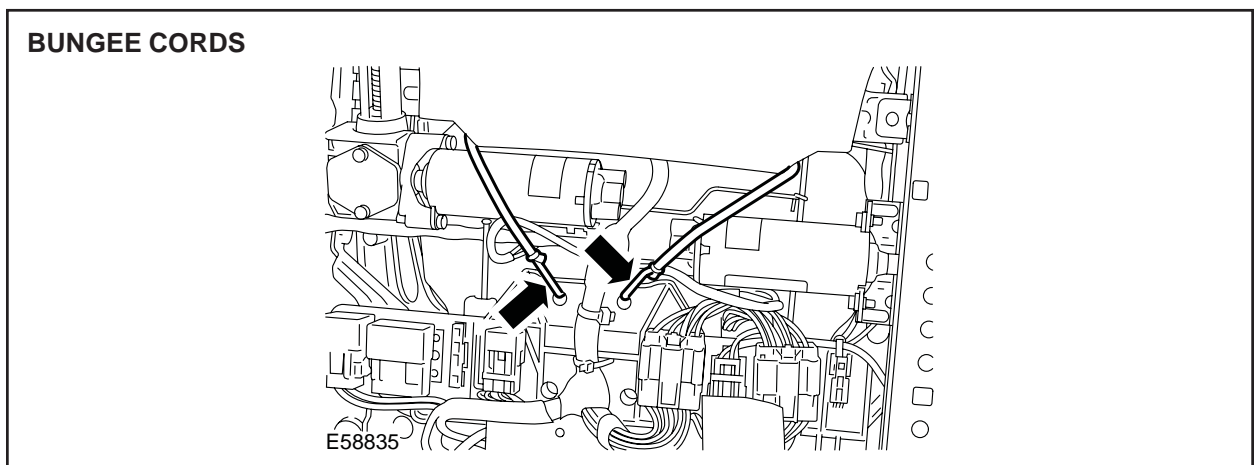


ILLUSTRATION 4

4. Remove the motor gearbox plastic cover securing screws, and remove the plastic cover (Illustration 5).

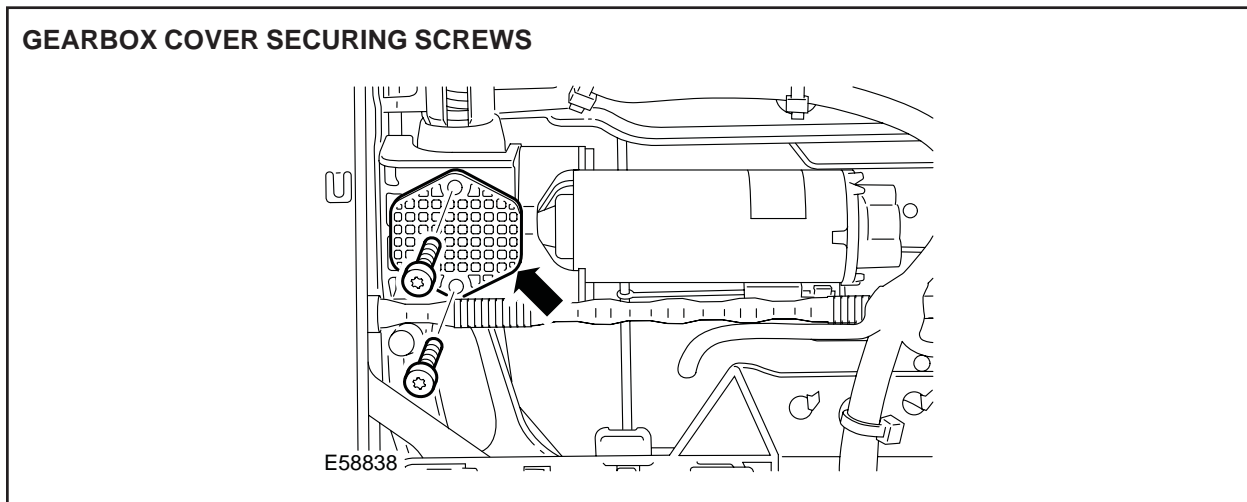


ILLUSTRATION 5

5. Remove the motor securing screws and displace the motor from the drive bar. Visually check the gearbox for content of grease and damage to the worm spindle and bushings (Illustration 6).

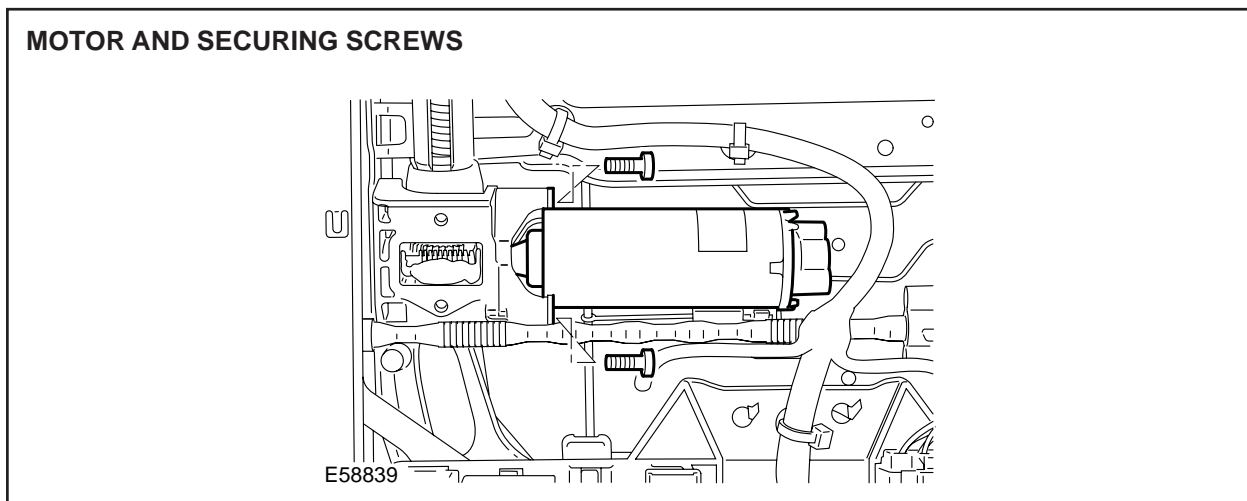


ILLUSTRATION 6

If there is no grease and there is no damage to the worm spindle and bushings:

6. Apply grease to the worm spindle (worm and drive bar) Illustration 7.

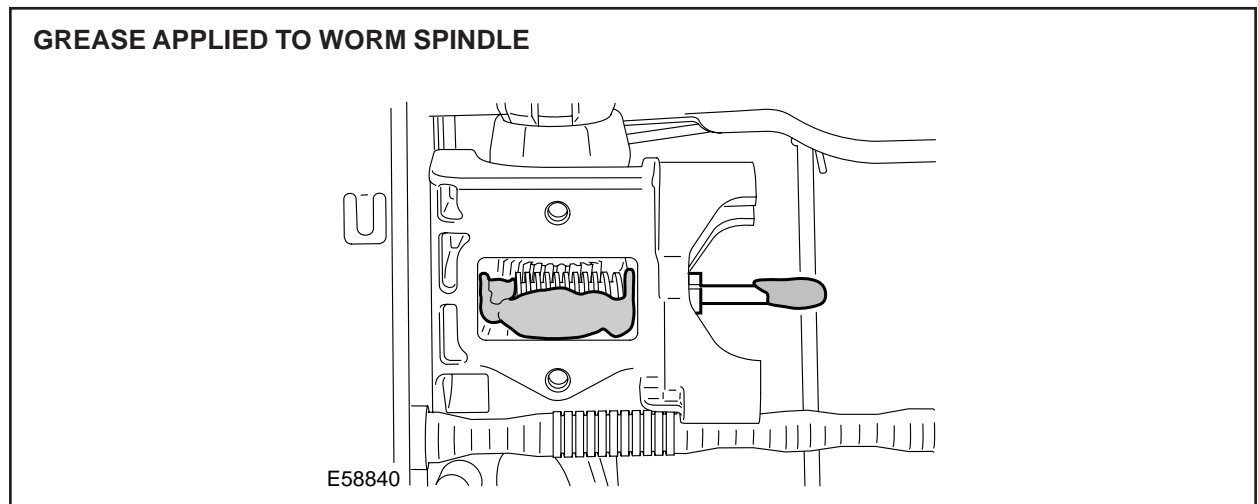


ILLUSTRATION 7

7. Install motor to drive bar, install and tighten securing screws.
8. Install the motor gearbox plastic cover, install and tighten securing screws.
9. Hook the bungee cord to the tray.
10. Install seat (see Global Technical Reference GTR Workshop Manual, section: 501-10).
11. Operate seat to extremes of travel five times.

If there is damage to the worm spindle or bushings, or after carrying out steps 1 to 11 the fault is still apparent:

12. Carry out steps 1 to 4.
13. Check color of identity label on the faulty motor (Illustration 8).

Note: For a motor with a Green label, use the green label motor kit.
For a motor with a Silver label, use the silver label motor kit.

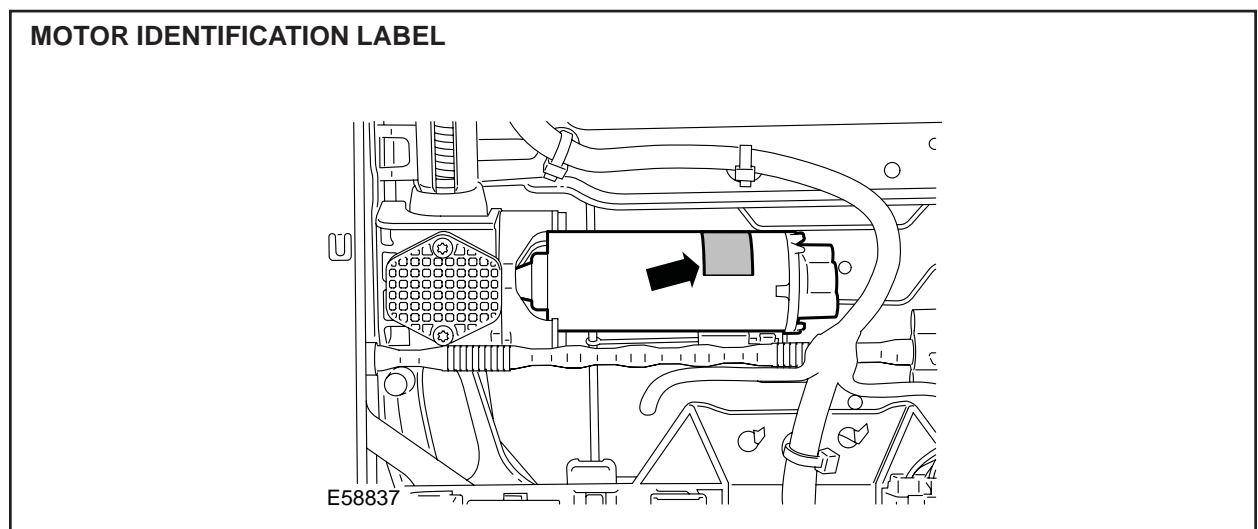


ILLUSTRATION 8

14. Remove the motor securing screws and displace motor from the drive bar.
15. Disconnect the motor electrical connector and remove motor.
16. Rotate the worm spindle complete with outer bushing and remove from the gearbox.
17. Remove surplus grease from the gearbox.
18. Place the new worm spindle to front.
19. Apply grease to the worm spindle (worm and drive bar, Illustration 9).

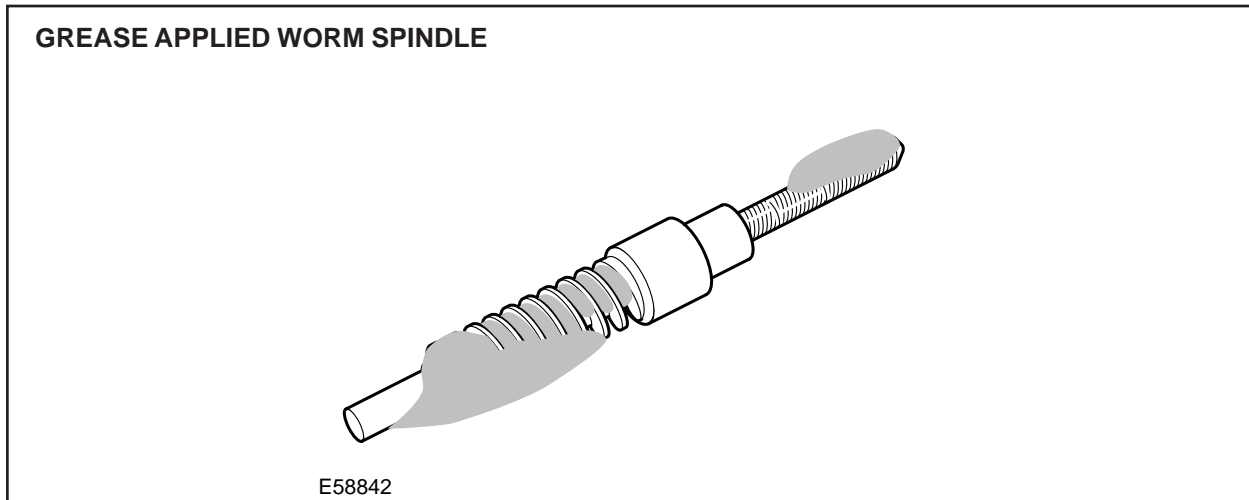


ILLUSTRATION 9

20. Install the worm spindle to the gearbox, rotate the worm spindle until it is fully engaged into the inner bushing, install, align and fully seat the new outer bushing to the worm spindle and gearbox (Illustration 10).

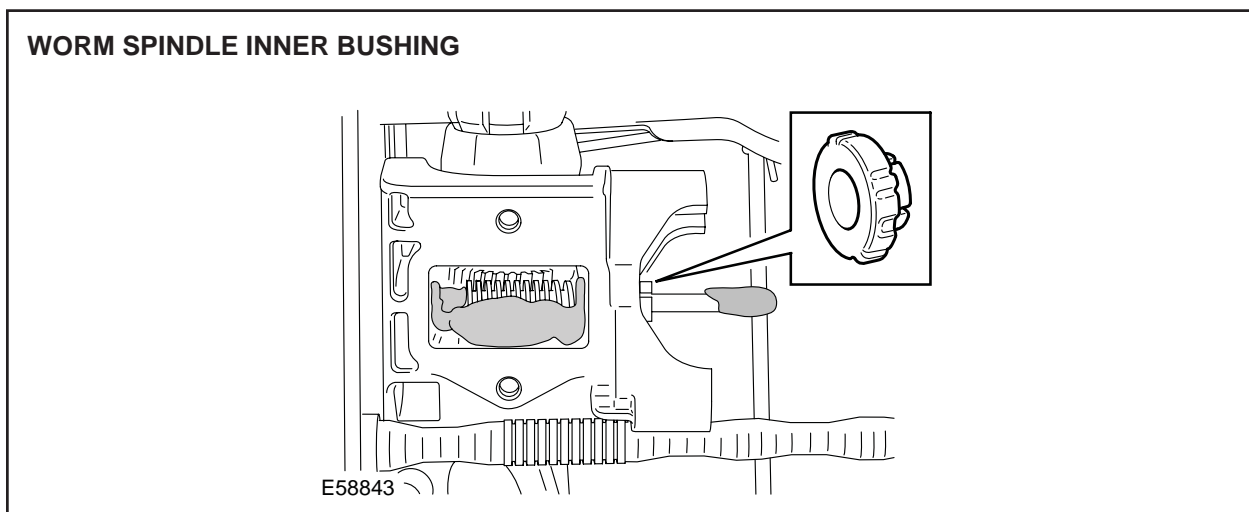


ILLUSTRATION 10

21. Place new motor to the seat.
22. Connect the motor electrical connector.
23. Install the motor to the drive bar and align the motor to the fixing holes.
24. Install and tighten the motor securing screws.
25. Apply grease generously into the gearbox area.
26. Install the gearbox plastic cover.
27. Install and tighten the plastic cover securing screws.
28. Hook the bungee cord to the tray.
29. Install seat (see Global Technical Reference GTR Workshop Manual, section: 501-10).

On vehicles prior to VIN G10854 continue from step 30.

On all other vehicles go to step 34.

30. Position Worldwide Diagnostic System (WDS) alongside vehicle, switch Portable Test Unit (PTU) 'ON' and allow software to load.

<p>Note: Ensure WDS is loaded with software release JTP 759/37 or later.</p>

31. Connect PTU to vehicle using diagnostic cable.
32. Enter VIN and navigate to and run 'Seat Calibration' application in 'Set-Up and Configuration' menu.
33. After calibration is complete, switch 'OFF' PTU, disconnect from vehicle and return WDS to original location.
34. Operate the seat to extremes of travel five times.

If the fault is still apparent:

35. Install a new front seat base (see Global Technical Reference GTR Workshop Manual, section: 501-10).

WORKSHOP PROCEDURE 3 - FORE/AFT

Install new motor

1. Remove front seat (see Global Technical Reference GTR Workshop Manual, section: 501-10).
2. Transfer the seat onto a suitable work surface.

3. Unhook bungee cord from tray (Illustration 11).

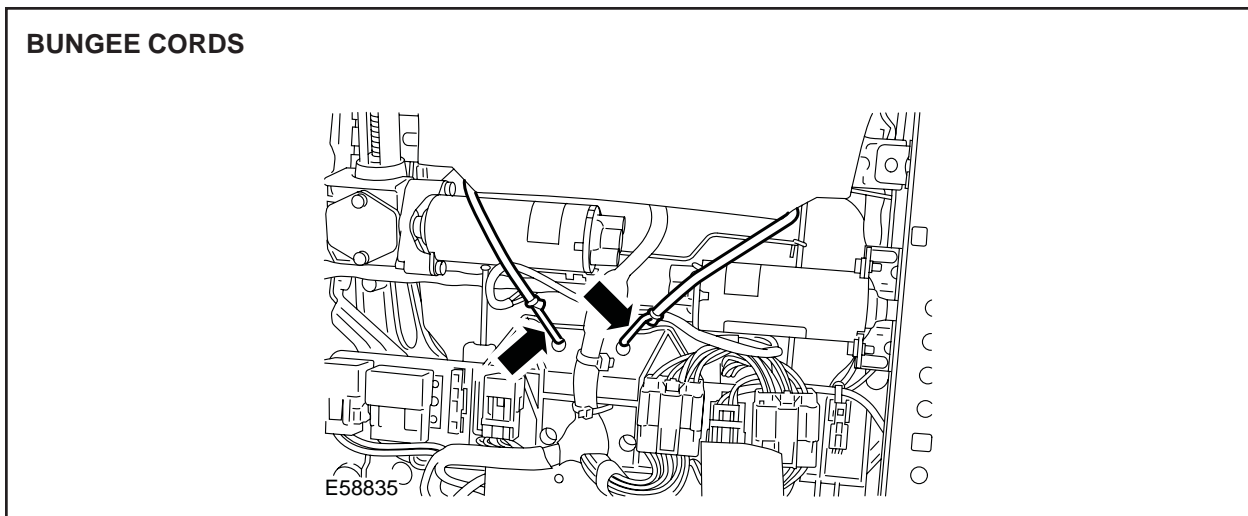


ILLUSTRATION 11

Note: For a motor with a Green label, use the green label motor kit.
For a motor with a Silver label, use the silver label motor kit.

4. Check the color of the identity label on the faulty motor (Illustration 12).

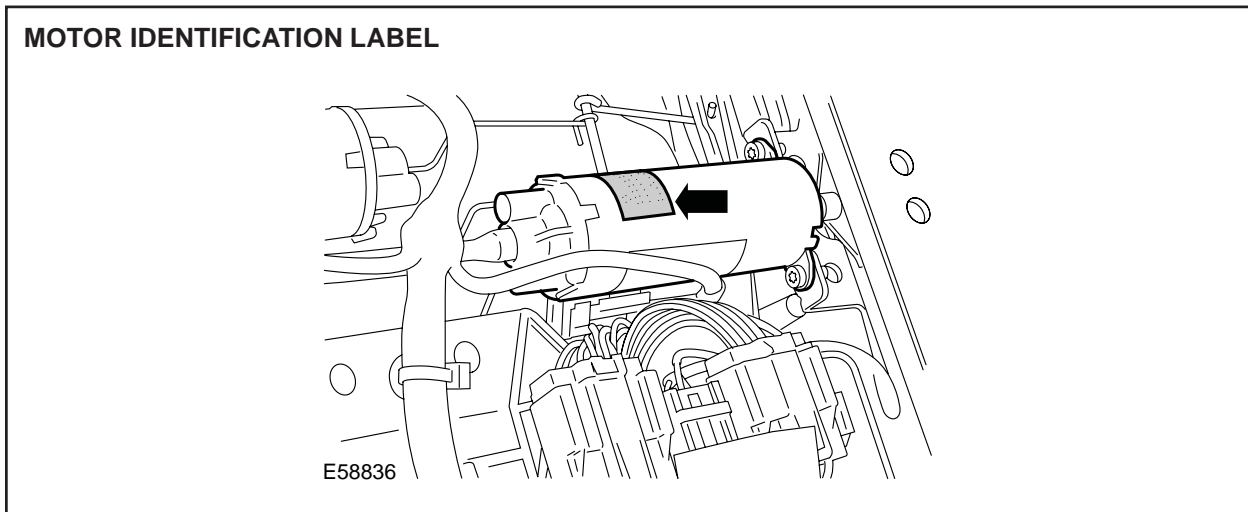


ILLUSTRATION 12

5. Undo and remove the motor securing screws (Illustration 13).

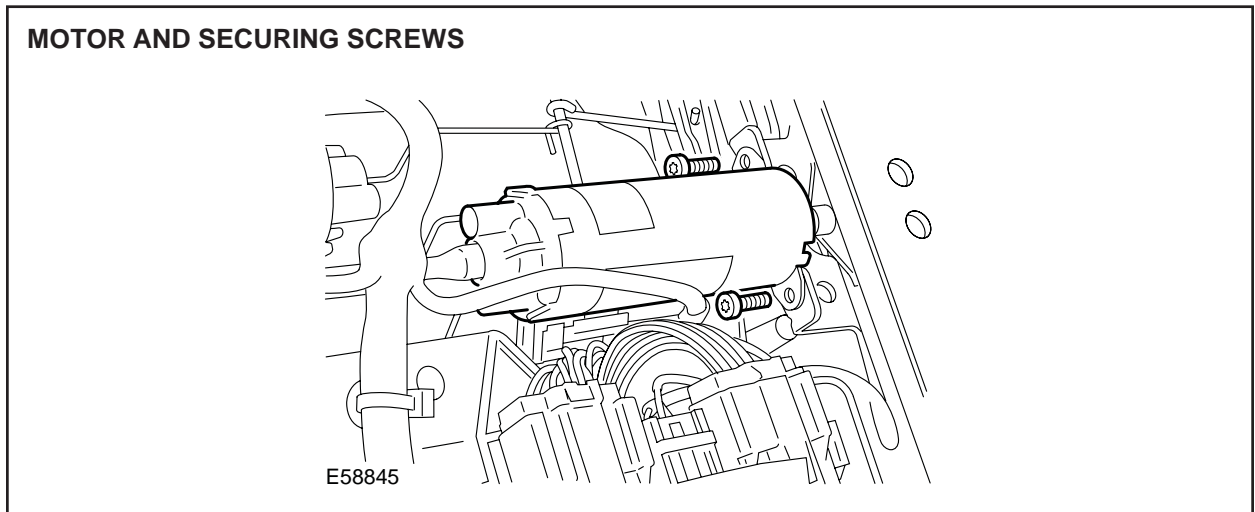


ILLUSTRATION 13

6. Slide the motor with the long flexible drive bar away from the mounting bracket and disengage the short drive bar.
7. Disconnect the electrical connector and remove motor (Illustration 14).

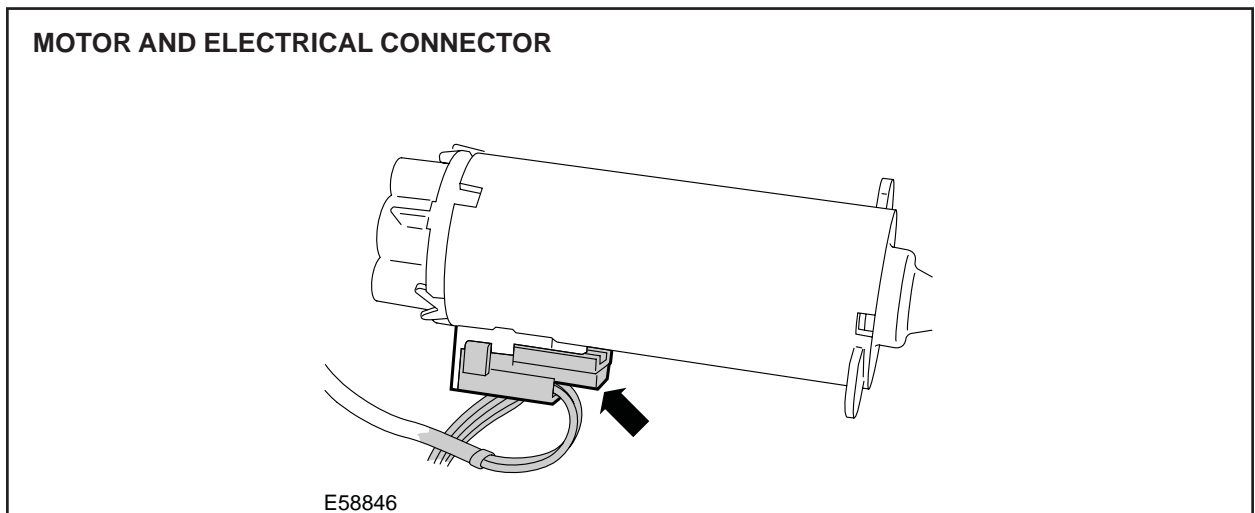


ILLUSTRATION 14

8. Remove the long flexible drive bar.
9. Remove the short drive bar.
10. Place the new short drive bar to front.
11. Grease both ends of the short drive bar.
12. Install the new short drive bar to the gearbox
13. Place the new long flexible drive bar to front.
14. Grease both ends of the new long flexible drive bar.
15. Install the new long flexible drive bar to the gearbox.

16. Install the new motor to the long flexible drive bar.
17. Connect the motor electrical connector (Illustration 15).

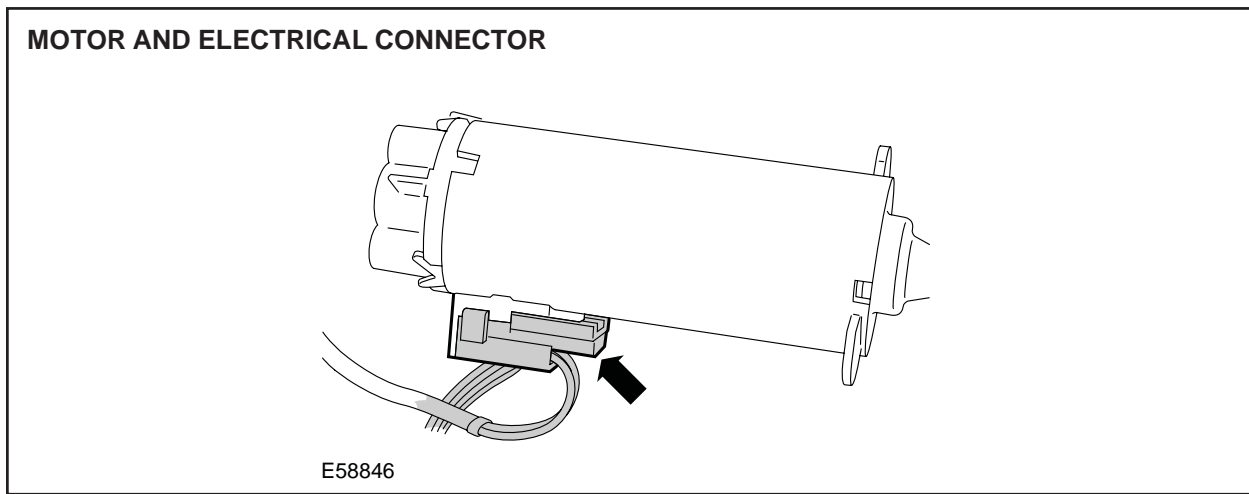


ILLUSTRATION 15

18. Reposition and fully seat the new motor onto the short drive bar.
19. Check to ensure the flexible drive bar is correctly aligned with no kinks/distortions (Illustration 16).

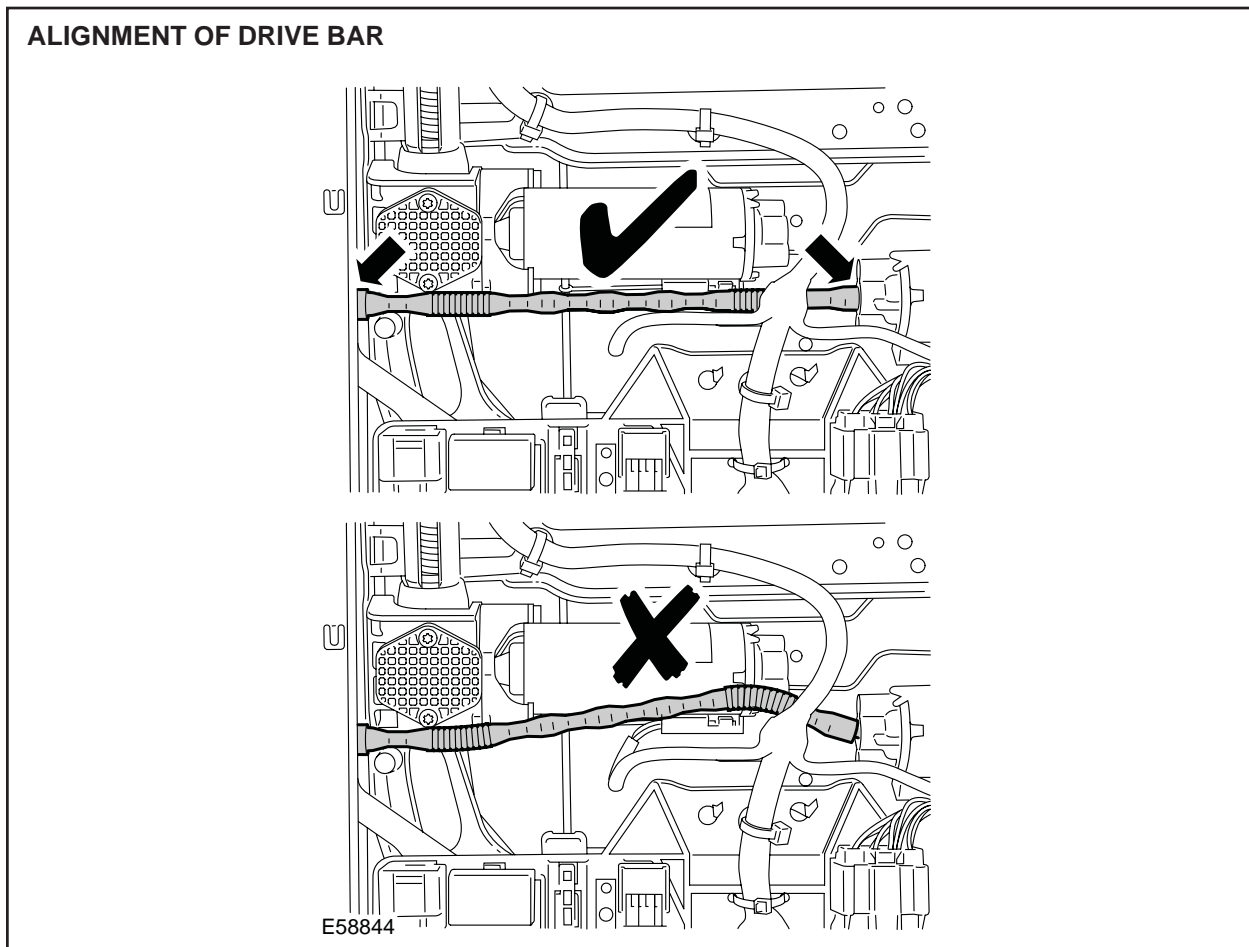


ILLUSTRATION 16

20. Align motor, install and tighten motor securing screws.
21. Hook bungee cord to the tray (Illustration 17).

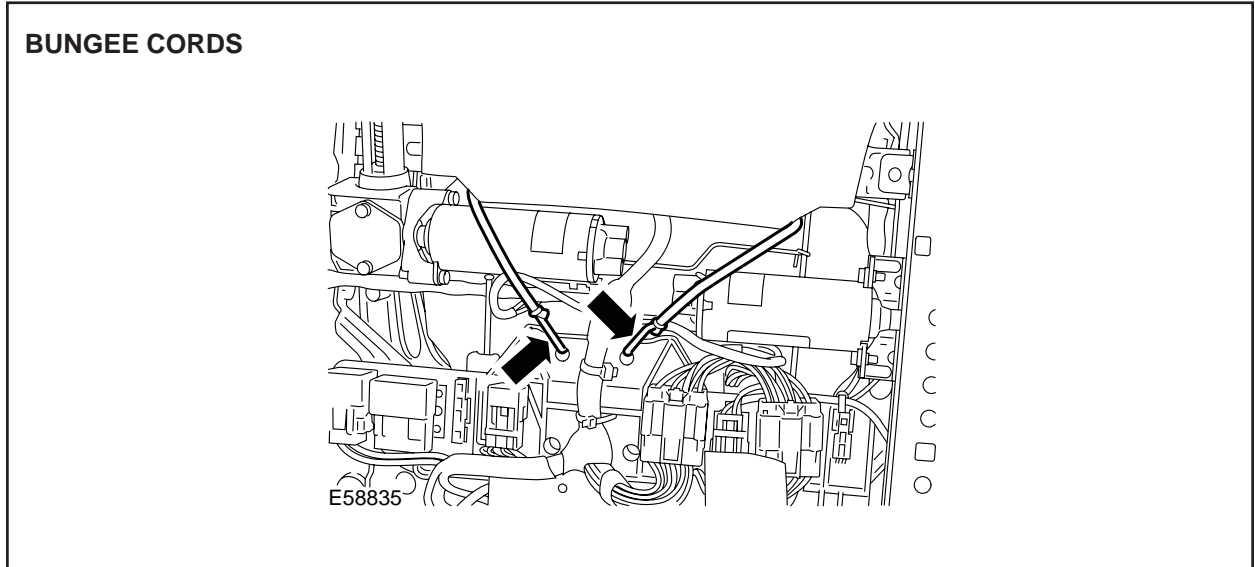


ILLUSTRATION 17

22. Install seat (see Global Technical Reference GTR Workshop Manual, section: 501-10).

Note: On vehicles prior to VIN G108547 continue from step 23. On all other vehicles go to step 27.

23. Position Worldwide Diagnostic System (WDS) alongside vehicle, switch Portable Test Unit (PTU) 'ON' and allow software to load.
24. Connect PTU to vehicle using diagnostic cable.

Note: Ensure WDS is loaded with software release JTP 759/37 or later.

25. Enter VIN and navigate to and run 'Seat Calibration' application in 'Set-Up and Configuration' menu.
26. After calibration is complete, switch 'OFF' PTU, disconnect from vehicle and return WDS to original location.
27. Operate the seat to extreme of travel five times.

If the fault is still apparent:

28. Install a new front seat base (see Global Technical Reference GTR Workshop Manual, section: 501-10).

Global Technical Reference (GTR) Workshop Manual Information:

Dealer access: <https://hub.franchise.jaguar.com>

Internet access: <http://www.jaguartechno.com>

Parts Information:

<u>DESCRIPTION</u>	<u>PART NUMBER</u>	<u>QTY</u>
Green label motor kit	C2C 29234	1
Silver label motor kit	C2C 29235	1
Fir tree clip	XR8 43848	2

Warranty Information:

Causal Part: C2C 29234 or C2C 29235

Description	SRO	Time
Workshop Procedure 1 - Front tilt/height rise or cushion extension, apply grease	76.94.73/03	0.6 hrs.
Workshop Procedure 1 - Install front seat base	76.70.08	1.3 hrs.
Workshop Procedure 2 - Rear height rise, check for grease and damage	76.94.73/01	0.6 hrs.
Workshop Procedure 2 - Rear height rise, check for grease and damage, renew motor and worm spindle	76.94.73/02	0.7 hrs.
Workshop Procedure 2 - Install front seat base	76.70.08	1.3 hrs.
Seat calibration using WDS	86.99.55	0.4 hrs.
Workshop Procedure 3 - Install fore/aft motor	76.94.73	0.6 hrs.
Workshop Procedure 3 - Install front seat base	76.70.08	1.3 hrs.
Seat calibration using WDS	86.99.55	0.4 hrs.