



X-TYPE

DATE 06/04
Amended 07/04

XT501-S952

SERVICE

TECHNICAL BULLETIN

Liftgate Spoiler Contacting Roof –
High Ambient Temperatures –
Canadian Vehicles – Service Action S952

MODEL 2004 MY
X-TYPE Wagon
Canada only
VIN D63936-E06289

Remove and destroy Bulletin XT501-S952 dated 06/04.
Replace with this Bulletin.
Revisions are marked with a bar and in **bold text**.

Issue:

A concern has been identified on a number of 2004 MY X-TYPE Wagon vehicles within the above VIN range. Under high ambient temperatures or heat soak conditions, and due to a tolerance stack-up of liftgate and roof panel, plus distortion of the spoiler components, the liftgate spoiler could make contact with the roof panel on opening.

Action:

On 2004 MY X-TYPE Wagon vehicles within the above VIN range, inspect the alignment of the spoiler in relation to the roof panel.

Unsold vehicles must be repaired prior to release to the customer.

For sold vehicles, dealers are requested to contact owners of the affected vehicles and request that their vehicles be made available, for an inspection, and repair, if necessary, at their earliest convenience.

Over-flush liftgate spoilers should have a minimum gap of 5.5 mm. Flush or under-flush liftgate spoilers should have a minimum gap of 4.5 mm. The maximum gap between the liftgate spoiler and roof panel should not exceed 6.5 mm. If the liftgate spoiler requires adjustment, the plastic washers must be installed under the spoiler before setting to the correct specification. See Workshop Procedure included in this bulletin.

NOTE: THE INFORMATION IN TECHNICAL BULLETINS IS INTENDED FOR USE BY TRAINED, PROFESSIONAL TECHNICIANS WITH THE KNOWLEDGE, TOOLS, AND EQUIPMENT TO DO THE JOB PROPERLY AND SAFELY. IT INFORMS THESE TECHNICIANS OF CONDITIONS THAT MAY OCCUR ON SOME VEHICLES, OR PROVIDES INFORMATION THAT COULD ASSIST IN PROPER VEHICLE SERVICE. THE PROCEDURES SHOULD NOT BE PERFORMED BY "DO-IT-YOURSELFERS." DO NOT ASSUME THAT A CONDITION DESCRIBED AFFECTS YOUR CAR. CONTACT A JAGUAR RETAILER TO DETERMINE WHETHER THE BULLETIN APPLIES TO YOUR VEHICLE.

WORKSHOP PROCEDURE

Liftgate spoiler to roof panel measurement check:

1. Using a suitable caliper or gauge, measure the gap at the center between the liftgate spoiler and the roof opening panel (Illustration 1).

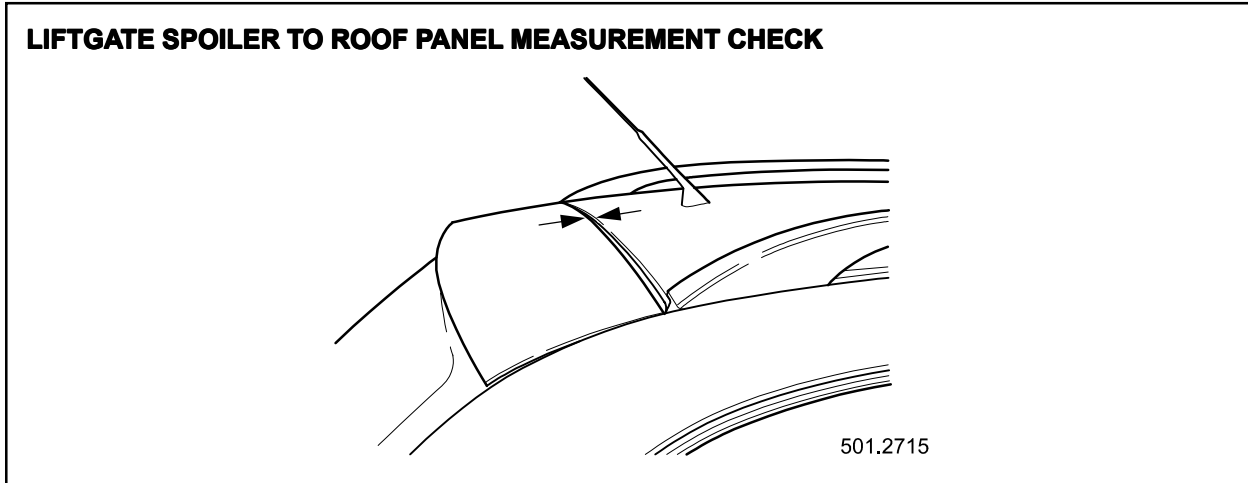


ILLUSTRATION 1

2. Using a suitable straight edge, check at the center for a flush fit of the liftgate spoiler to the roof panel (Illustration 2).

Note: Over-flush liftgate spoilers should have a minimum gap of 5.5 mm. Flush or under-flush liftgate spoilers should have a minimum gap of 4.5 mm. The maximum gap between the liftgate spoiler and roof panel should not exceed 6.5 mm.

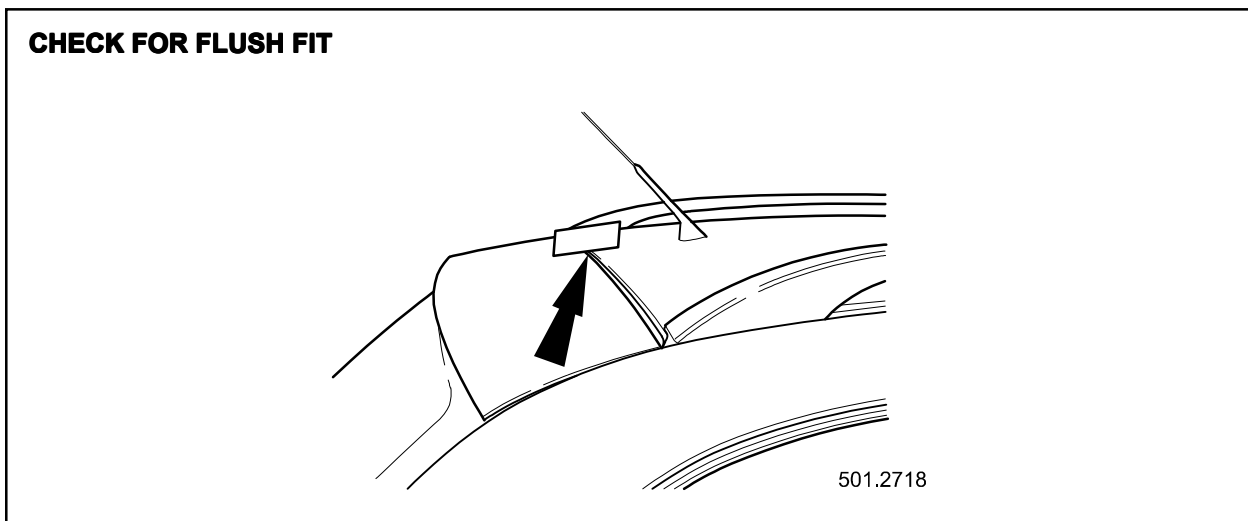


ILLUSTRATION 2

If required, modify the liftgate spoiler as follows:

3. Open liftgate glass.
4. Displace and discard the liftgate glass hinge finisher (Illustration 3).

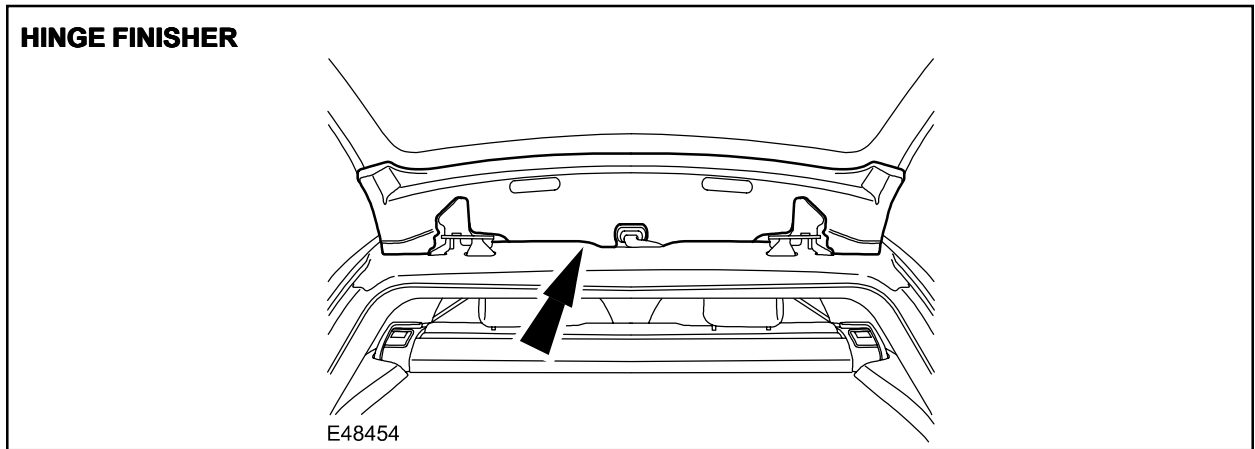


ILLUSTRATION 3

5. Discard the liftgate glass hinge finisher receptacles (Illustration 4).

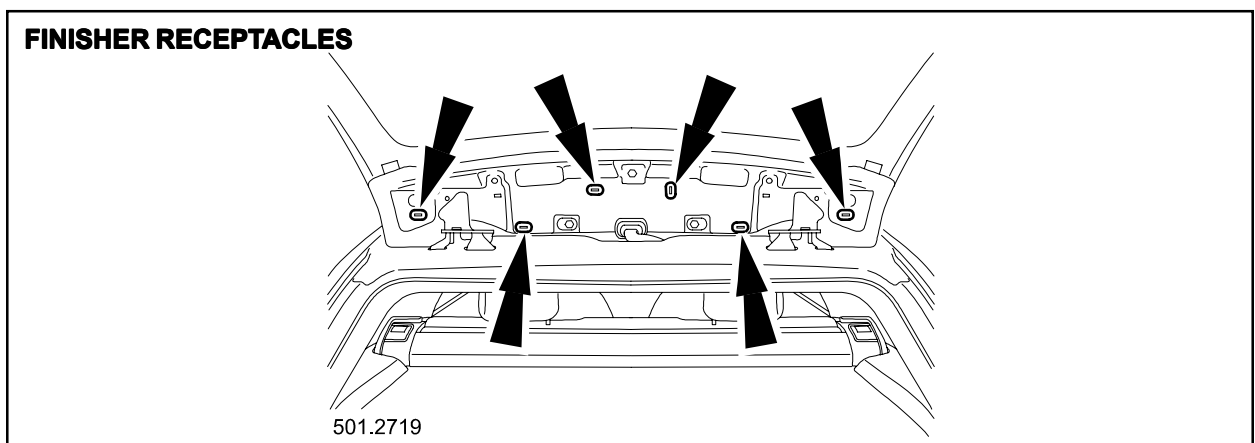


ILLUSTRATION 4

6. Remove the liftgate spoiler securing nuts (Illustration 5).

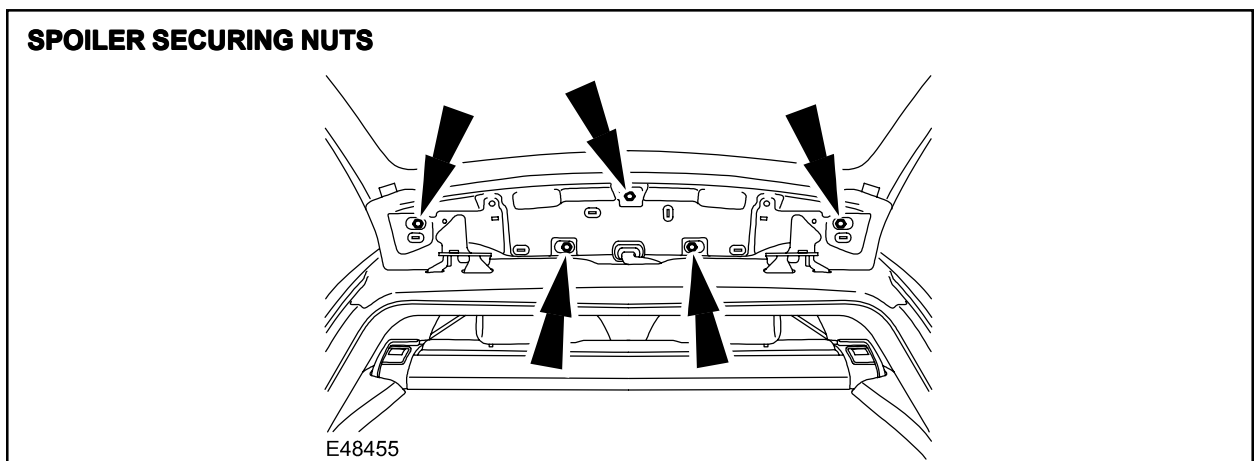


ILLUSTRATION 5

7. Close liftgate glass.
8. Reposition the liftgate spoiler for access (Illustration 6).

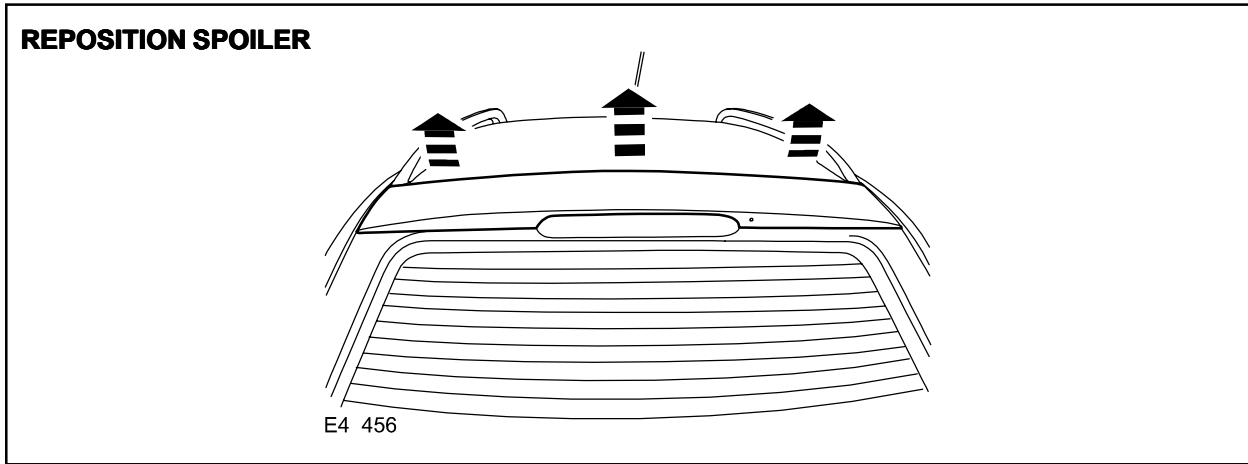


ILLUSTRATION 6

9. Disconnect the high mounted stoplamp electrical connector and the rear window washer jet tube (Illustration 7).

⚠ Caution: During the following operation take suitable precautions to protect the spoiler against damage to the paintwork.

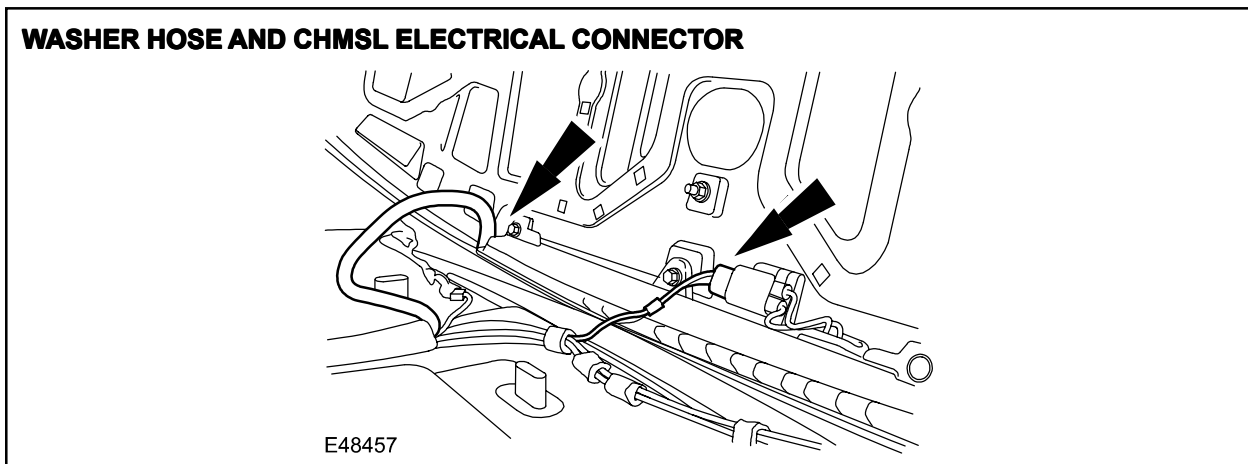


ILLUSTRATION 7

10. Place liftgate spoiler upside down on a suitable work surface.
11. Using a suitable knife, cut and remove the material from the rear of the two outer locator pegs as shown in Illustration 8.

Note: Removal of the material from the locator pegs will allow the spoiler to move rearward on the vehicle when installed.

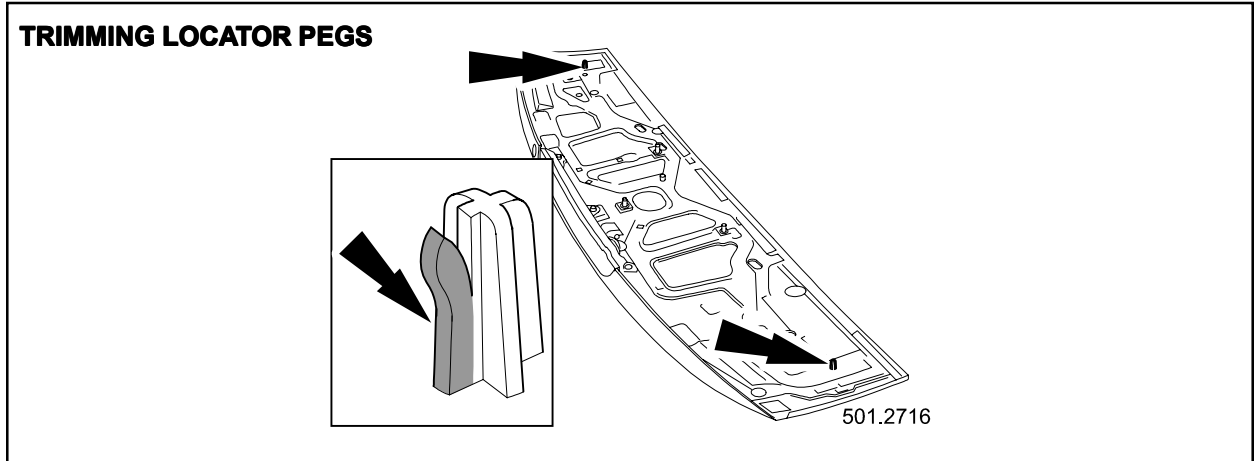


ILLUSTRATION 8

12. Center the 4 floating mounting studs in the spoiler apertures. Apply suitable grease to one face of each of the four 0.5 mm thick washers, position the washers on the spoiler mounting studs (Illustration 9).

Note: This step of the procedure is critical to the function of the tailgate spoiler. The floating feature of the four mountings is not to aid assembly - It provides the flexibility which the spoiler requires to cope with a wide range of temperature and solar loading conditions.

Centering the mountings prior to installation ensures that a floating condition is achieved. This will guarantee that the spoiler has the ability to expand and contract with temperatures changes.

Do not install a greased washer on the center mounting stud.

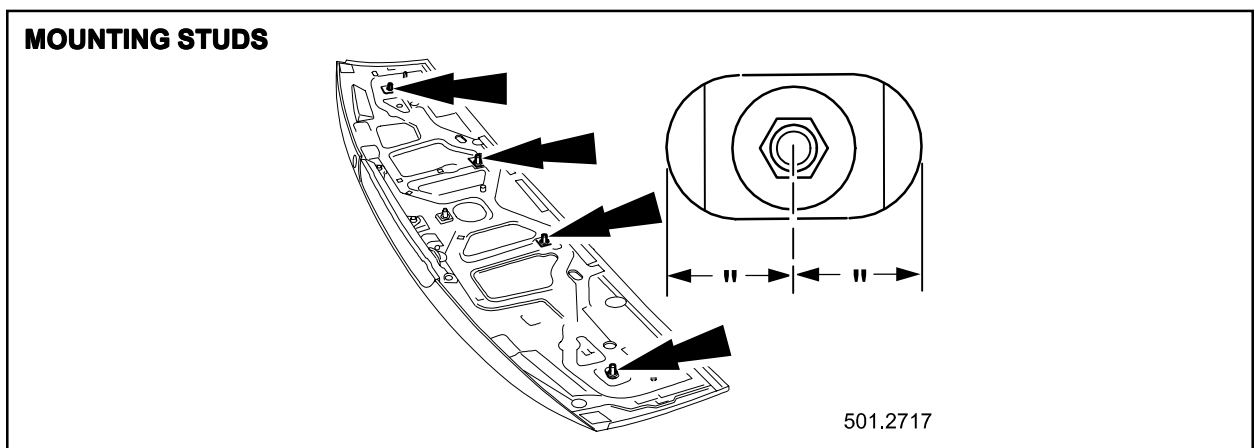


ILLUSTRATION 9

13. Transfer liftgate spoiler to vehicle.
14. Connect rear window washer tube and high mounted stop lamp electrical connector.

⚠ Caution: Use care not to trap any electrical harnesses.

15. Install the liftgate spoiler.
16. Using a suitable straight edge, check at center for flushness of liftgate spoiler to roof panel (Illustration 10).

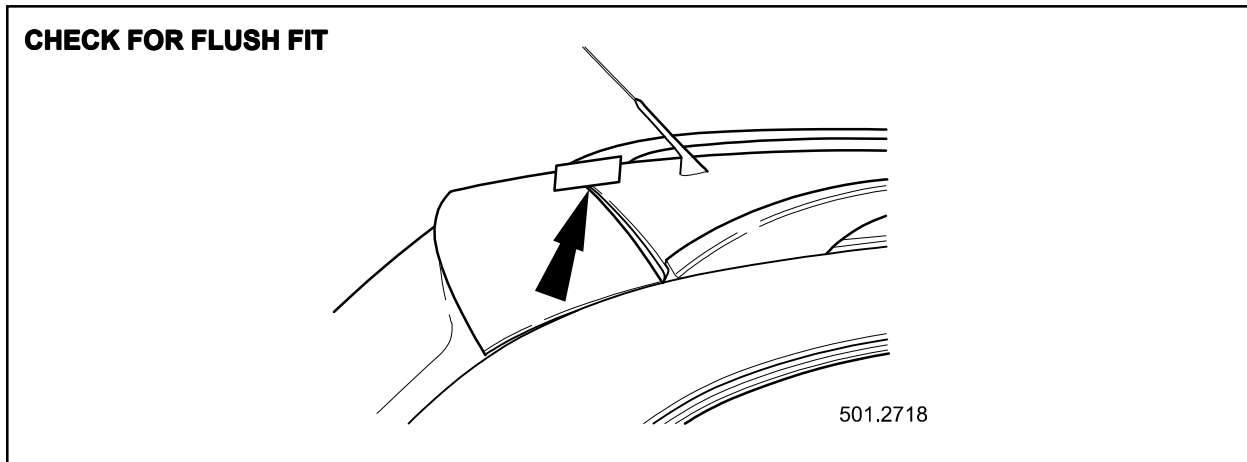


ILLUSTRATION 10

Note: Over-flush liftgate spoilers should have a minimum gap of 5.5 mm. Flush or under-flush liftgate spoilers should have a minimum gap of 4.5 mm. The maximum gap between the liftgate spoiler and roof panel should not exceed 6.5 mm.

17. Reposition the liftgate spoiler to obtain a gap from roof panel depending on flushness condition.
18. Using a suitable caliper or gauge, set the gap at the center between the liftgate spoiler and the roof panel as required.

Note: Ensure the gap between the liftgate spoiler and the roof panel is equal on both sides.

19. While holding the liftgate spoiler in position, open the liftgate glass.
20. Without moving the liftgate spoiler, install and tighten the liftgate spoiler securing nuts to 5 Nm, working from the center outwards.
21. Install new liftgate glass finisher receptacle clips and new liftgate glass finisher.

22. Close liftgate glass.
23. Open driver door.
24. Switch ignition 'ON'.
25. With the aid of another person, operate the brake pedal to ensure the high mounted stoplamp illuminates.
26. Switch ignition 'OFF'.
27. Close driver side door.

Global Technical Reference (GTR):

Dealer Access: <https://hub.franchise.jaguar.com>

Internet access: <http://www.jaguartechno.com>

Parts Information:

<u>DESCRIPTION</u>	<u>PART NUMBER</u>	<u>QTY</u>
Liftgate glass finisher	C2S 28501	1
Liftgate glass finisher retaining clips	C2S 32672	6
Plastic washer	C2S 38956	4

Warranty Information:

Warranty claims should be submitted quoting program code S952 together with the relevant option code from the table below.

This will result in payment of the stated time and, where applicable the relevant parts/ miscellaneous expense codes.

The options that allow for drive in/drive out can only be claimed when the vehicle has been brought into the workshop for this action alone to be undertaken.

The SROs and parts listed above have been included for information only. There will be no requirement to enter the parts or SROs onto the claim.

Service Action S952

2004 MY 2.5L VIN Range

4XD63936 - 4XE06289

2004 MY 3.0L VIN Range

4WD63936 - 4WE06289

Program Code	Option	Description	SRO	Time	Part Number	Part Description	Qty
S952	A	Liftgate spoiler to roof panel measurement check – no further action required	76.94.59	0.2 hrs.	-	-	-
S952	K	Liftgate spoiler to roof panel measurement check – no further action required	76.94.59	0.2 hrs.	-	-	-
		Drive in/drive out	10.10.10	0.1 hrs.			
S952	B	Liftgate spoiler to roof panel measurement check and adjustment	76.94.59/01	0.5 hrs.	C2S 28501 C2S 32672 C2S 38956	Finisher Clips Washer	1 6 4
S952	C	Liftgate spoiler to roof panel measurement check and adjustment	76.94.59/01	0.5 hrs.	C2S 28501 C2S 32672 C2S 38956	Finisher Clips Washer	1 6 4
		Drive in/drive out	10.10.10	0.1 hrs.			

Note: Always perform a DDW claim search first to determine whether this service action has been performed on this vehicle. The “Review Claim History” function will provide a listing of all claims against the vehicle. If this service action number appears in the program code field, do not perform this service action.

