



BY APPOINTMENT TO
HER MAJESTY QUEEN ELIZABETH II
MANUFACTURERS OF DAIMLER AND JAGUAR CARS
JAGUAR CARS LIMITED COVENTRY



BY APPOINTMENT TO
HIS ROYAL HIGHNESS THE PRINCE OF WALES
MANUFACTURERS OF DAIMLER AND JAGUAR CARS
JAGUAR CARS LIMITED COVENTRY

Electrical Guide

XK

VIN: B20075 >

While every effort is made to ensure accuracy, design changes to the vehicle may be made in the period between the completion of this publication and the introduction of vehicles.

Table of Contents: Figures 2

Abbreviations and Acronyms 5

User Instructions 6

Symbols and Codes 7

Component Index follows after page 9

Connector Index Follows Component Index

Electrical Guide Figures Follows Connector Index
(pages are numbered by Figure number)

FIGURES

Fig.	Description	Variant
01	Power Distribution	
Fig. 01.1	Power Distribution Box: Part 1	All
Fig. 01.2	Power Distribution Box: Part 2	All
Fig. 01.3	Power Distribution Box: Part 3	All
Fig. 01.4	Central Junction Box: Part 1	All
Fig. 01.5	Central Junction Box: Part 2	All
Fig. 01.6	Central Junction Box: Part 3	All
Fig. 01.7	Central Junction Box: Part 4	All
Fig. 01.8	Auxiliary Junction Box: Part 1	All
Fig. 01.9	Auxiliary Junction Box: Part 2	All
Fig. 01.10	Auxiliary Junction Box: Part 3	All
Fig. 01.11	Auxiliary Junction Box: Part 4	All
Fig. 01.12	Auxiliary Junction Box: Part 5	All
02	Ground Distribution	
Fig. 02.1	Ground Distribution: Front 1	All
Fig. 02.2	Ground Distribution: Front 2	All
Fig. 02.3	Ground Distribution: Front 3	All
Fig. 02.4	Ground Distribution: Rear 1	All
Fig. 02.5	Ground Distribution: Rear 2	All
Fig. 02.6	Ground Distribution: Rear 3	All
03	Starter; Generator	
Fig. 03.1	Starting and Charging	All
04	Engine Management	
Fig. 04.1	Engine Management: Sensors 1	All
Fig. 04.2	Engine Management: Sensors 2	All
Fig. 04.3	Engine Management: Emissions	All
Fig. 04.4	Engine Management: Actuators – V8NA	Yes
Fig. 04.5	Engine Management: Actuators – V8SC	Yes
Fig. 04.6	Engine Management: Fuel Tank and Lines	All
Fig. 04.7	Engine Cooling	All
05	Transmission	
Fig. 05.1	Transmission	All
Fig. 05.2	Transmission: Paddle Switches	All
06	Chassis	
Fig. 06.1	Dynamic Stability Control: Except 3.5L	Yes
Fig. 06.2	Dynamic Stability Control: 3.5L	Yes
Fig. 06.3	Electronic Parking Brake	All
Fig. 06.4	Adaptive Damping	Yes
Fig. 06.5	Speed Control	Yes
Fig. 06.6	Adaptive Speed Control	Yes
Fig. 06.7	Tire Pressure Monitoring System	Yes
07	Climate Control	
Fig. 07.1	Climate Control: Part 1	All
Fig. 07.2	Climate Control: Part 2	All

FIGURES

Fig.	Description	Variant
08 Instrumentation		
Fig. 08.1	Instrument Cluster	All
09 Exterior Lighting		
Fig. 09.1	Exterior Lighting: Headlamps	All
Fig. 09.2	Exterior Lighting: Headlamp Leveling	HID Headlamp
Fig. 09.3	Exterior Lighting: Adaptive Front Lighting	HID Headlamp
Fig. 09.4	Exterior Lighting: Side Lamps	All
Fig. 09.5	Exterior Lighting: Reverse and Stop Lamps	All
Fig. 09.6	Exterior Lighting: Turn Signal Indicators	All
Fig. 09.7	Exterior Lighting: Fog Lamps.	All
10 Interior Lighting		
Fig. 10.1	Interior Lighting: Map and Courtesy	All
Fig. 10.2	Interior Lighting: Door and Trunk.	All
Fig. 10.3	Interior Lighting: Switch Illumination	All
11 Steering Column; Pedals; Mirrors		
Fig. 11.1	Steering Column Adjustment; Pedal Adjusment	All
Fig. 11.2	Mirror Movement	All
12 Seat Systems		
Fig. 12.1	Driver Seat.	All
Fig. 12.2	Passenger Seat.	All
Fig. 12.3	Heated Seats.	All
13 Central Locking; Security		
Fig. 13.1	Keyless Start	All
Fig. 13.2	Keyless Entry: LHD.	Yes
Fig. 13.3	Keyless Entry: RHD.	Yes
Fig. 13.4	Door Locking	All
Fig. 13.5	Front Security	All
Fig. 13.6	Rear Security and Alarms	All
14 Wash / Wipe		
Fig. 14.1	Wash / Wipe System	All
15 Powered Windows; Convertible Top		
Fig. 15.1	Powered Windows.	All
Fig. 15.2	Convertible Top.	Yes
16 In-Car Entertainment		
Fig. 16.1	In-Car Entertainment: Premium.	Yes
Fig. 16.2	In-Car Entertainment: Standard.	Yes
Fig. 16.3	Satellite Digital Audio Radio System (SDARS)	Yes
17 Telematics		
Fig. 17.1	Telephone System.	Yes
Fig. 17.2	Navigation System.	Yes

FIGURES

Fig.	Description	Variant
18	Occupant and Pedestrian Protection	
Fig. 18.1	Safety Belts	All
Fig. 18.2	Air Bags: Coupe.	Yes
Fig. 18.3	Air Bags: Convertible.	Yes
Fig. 18.4	Pedestrian Protection System	Yes
19	Driver Assist	
Fig. 19.1	Parking Aid System	All
20	Ancillaries	
Fig. 20.1	Ancillaries	All
21	Vehicle Multiplex Systems	
Fig. 21.1	CAN bus - High Speed	All
Fig. 21.2	CAN bus - Medium Speed.	All
Fig. 21.3	MOST Network	All

The following abbreviations and acronyms are used throughout this Electrical Guide:

ABS	anti-lock braking system
ASL	automatic speed limiter
AUTO	automatic
AJB	auxiliary junction box
B+	battery voltage
BANK 1	RH cylinder bank
BANK 2	LH cylinder bank
BJB	battery junction box
CAN	controller area network
CJB	central junction box
CKP	crankshaft position
CM	control module
CMP SENSOR / 1	camshaft position sensor / RH bank
CMP SENSOR / 2	camshaft position sensor / LH bank
DSC	dynamic stability control
ECM	engine control module
EGR	exhaust gas recirculation
FPDB	front (power distribution box)
FSJB	central junction box
GPS	global positioning system
HID	high intensity discharge
HS CAN	high speed controller area network
IAM	integrated audio module
IC	instrument cluster
ICE	in-car entertainment
IDM	intrusion detection module
KS	knock sensor
KVM	keyless vehicle module
LF	low frequency
LH	left-hand
LHD	left-hand drive
LIN	local interconnect network
MAF	mass air flow sensor
MAP	manifold absolute pressure
MOST	media oriented systems transport
MS CAN	medium speed controller area network
NA	naturally aspirated
NAS	North American specification
PATS	passive anti-theft system
PWM	pulse width modulated
RBD	ring break diagnostics
RCM	restraints control module
RH	right-hand
RHD	right-hand drive
ROW	rest of world
RSJB	auxiliary junction box
SAI	secondary air injection
SC	supercharged
SDARS	satellite digital audio radio system
TCM	transmission control module
TPS	throttle position sensor
TPMS	tire pressure monitoring system
TV	television
V8	V8 engine
V8NA	V8 normally aspirated engine
V8SC	V8 supercharged engine
VICS	vehicle information control system
+ve	positive
-ve	negative

Health and Safety

Always follow health and safety guidelines, specifically those detailed in the Workshop Manual.

Using this publication

The information provided in this publication is for use only by competent, qualified auto-electricians. Good product knowledge is assumed, as well as the ability to access and use recommended test equipment and other reference material.

Test equipment and other reference material

The information in this publication should be used in conjunction with the recommended test equipment; refer to Workshop Manual. Other reference material includes: Technical Service Bulletins (TSB) and the Workshop Manual.

The Electrical Reference Library (ERL) may also prove useful since it provides detailed connector information.

Battery disconnection and reconnection

It is imperative that any information relating to battery disconnection and reconnection is followed; refer to the appropriate sections in the Workshop Manual.

Fault Diagnosis

Always use the recommended test equipment for correct and reliable fault diagnosis, refer to the Workshop Manual.

Harness Repair

Certain connectors must not be repaired; refer to Harness Repair information.

Connectors, Grounds and Splices

Connectors, grounds and splices are numbered using a five-character format, for example: CA001, CA002, G03BL, FLS25. Pin numbers are designated using only significant digits, therefore CA001 pin 001 is represented as CA001/1.

Control Module Pins

B+	Battery voltage
C-	CAN negative
C+	CAN positive
D	Data
GND	Ground
GRES	Sensor / signal ground **
IP	Input signal
LIN	Local interconnect network
MOST_RX	MOST receive
MOST_TX	MOST transmit
NEG	Negative
OP	Output signal
P	Power ground
POS	Positive
PWR	Power
SW	Switch
VBATT	Battery voltage
VREF	Sensor / signal supply V *

* May also indicate Reference Voltage.
 ** May also indicate Reference Ground or Logic Ground.

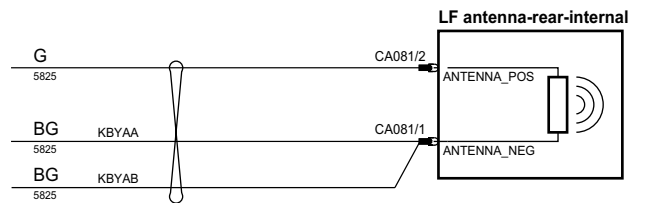
Wiring Color Codes

N	Brown	O	Orange
B	Black	S	Slate
W	White	L	Light
K	Pink	U	Blue
G	Green	P	Purple
R	Red	OPT	Fiber Optic
Y	Yellow	SCR	Screen Braid

Wire Lengths

Wire lengths are stated in millimeters and appear directly below the color code for each wire.

Twisted Wires



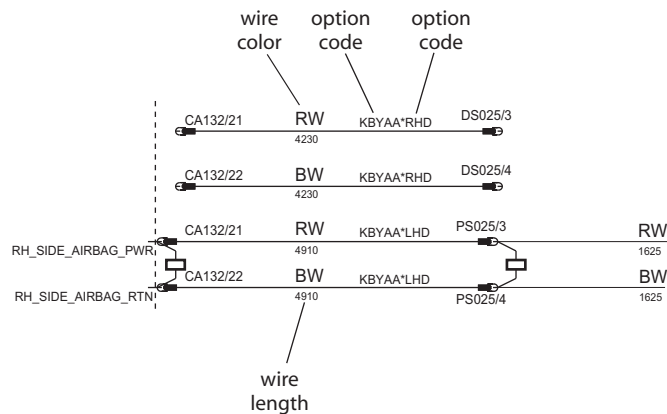
The 'figure-of-eight' symbol indicates that wires are twisted together.

Resistor Values

The omega symbol often used to represent resistance is not used in this publication.

- Whole-number resistor values below 1000 ohms are suffixed with 'R', for example: 820R.
- Whole-number resistor values above 1000 ohms are suffixed with 'K', for example: 820K.
- Fractional resistors values have 'R' or 'K' inserted at the position of the decimal point, for example: 8R2 represents 8.2 ohms, 1K0 represents 1K ohms.

Option Codes



A code identifying an optional wiring arrangement, for example KBYAA, may be allocated to certain wires; refer to the Option Code Table. The asterisk (*) represents 'and'; the colon (:) represents 'or'; for example:

IEFAB*RHD:IF9AB*RHD:IEFAB*IF9AB*RHD, represents:
phone and right-hand drive or voice and right-hand drive or phone and voice and right-hand drive.

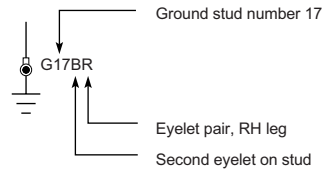
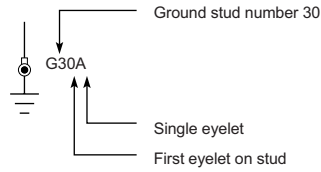
Option Code Table

3_5L	3.5 liter
ADRC	adaptive damping
B3MAB	heated front windshield
BSHA5	foldback mirrors
CBGAG	passive entry
DBL_LOCK	double locking
DMTL	diagnostic monitoring tank leakage
EC_MIRR	electrochromic mirror
EN_AJ	naturally aspirated
EN_AK	supercharged
GCDAD	adjustable pedals
GTBAB	heated steering wheel
GTDAC	adaptive speed control
HIBAH	battery backed sounder
HIBAJ	alarm horn
HKCAA	no navigation
HKCAK	navigation
HNFAB	intrusion sensor
HNGAB	inclination sensor
HNLAB	front parking aid
HTD_SEAT	heated seats
IDAAA	standard audio
IDAAB	premium audio
IEFAA	no phone
IEFAB	phone
IF9AB	voice
JEAAB	standard headlamp levelling
JEAAC	adaptive headlamp levelling
KBYAA	coupe
KBYAB	convertible
LHD	left-hand drive
NO_3_5L	Except 3.5L
PEDIMP	pedestrian protection system
RDS	radio data system
RHD	right-hand drive
SAI	secondary air injection
SAIMAP	SAI map sensor
SDARS	satellite digital audio radio system
SEAT_12WAY	12 way seat
SEAT_16WAY	16 way seat
SMOG_SNSR	pollution sensor
TPMS	tire pressure monitoring system
TV	television
VICS	vehicle information and communication system

Grounds

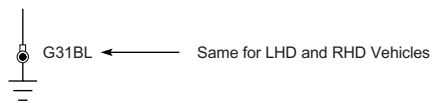
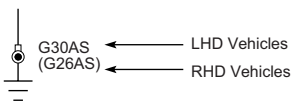
- There may be up to three eyelets on one ground stud.
- A, B and C are used to indicate the position of the eyelet on the stud: A - first (bottom), B - second (middle), C - third (top).
- Two eyelet variations are used: a single eyelet and an eyelet pair. The single eyelet has a single leg, which is identified by an S; the eyelet pair has two legs, identified as L (left) or R (right).

EXAMPLE:



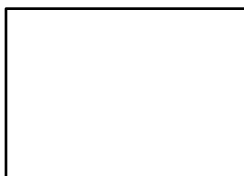
On figures where LHD and RHD circuits are combined and the ground designation differs from LHD to RHD, the RHD ground code is shown in parentheses. If the ground designation is the same for LHD and RHD, only one ground code is used, with no parentheses.

EXAMPLE:



Component Depictions

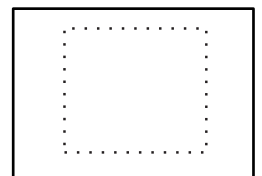
EXAMPLE:



COMPLETE COMPONENTS AND CONTROL MODULES



INCOMPLETE COMPONENTS



COMPONENTS WITH INTERNAL ELECTRONIC CIRCUIT

- ABS module 01.1, 01.6, 02.1, 06.1, 06.2, 21.1
- Accelerometer-Front 06.4
- Accelerometer-Rear 06.4
- Active Exhaust Solenoid Valve 01.8, 04.5
- Active Exhaust Vacuum Pump 01.8, 02.6, 04.5
- Actuator-Hood latch-LH 18.4
- Actuator-Hood latch-RH 18.4
- Adaptive Damping Module 01.4, 02.5, 06.4, 21.1
- Adaptive speed control sensor 01.1, 01.7, 02.1, 06.6, 21.1
- Air bag-Driver 18.2, 18.3
- Air bag-Passenger 18.2, 18.3
- Air bag-Side-Driver 18.2, 18.3
- Air bag-Side-Passenger 18.2, 18.3
- AM/FM antenna 16.3
- Amplifier-Antenna 16.3
- Amplifier-power 01.8, 02.2, 16.1, 21.3
- Antenna-LF-Cabin-Center 13.1
- Antenna-LF-Cabin-Front 13.1
- Antenna-LF-Rear-External 13.2, 13.3
- Antenna-LF-Rear-Internal 13.1
- Antenna-VICS 17.2
- Assembly-Door lock-Driver 01.5, 13.4, 13.5
- Assembly-Door lock-Passenger 01.5, 13.4, 13.5
- Auxiliary switch pack 01.6, 02.2, 02.3, 06.6, 08.1, 09.7, 10.3, 13.4
- Capacitor 01.1, 04.4
- Capacitor-TCM 02.1, 05.1
- Center speaker 16.1
- Cigar lighter-Front 01.1, 01.6, 02.4, 10.3, 20.1
- Clock spring 01.1, 01.11, 01.6, 01.6, 02.3, 05.2, 06.5, 10.3, 13.6, 16.1, 16.2, 18.2, 18.3
- Connector-MOST diagnostic 21.3
- Connector-Road pricing 02.2, 20.1
- Control Unit Cooling Fan 01.1, 01.3, 02.1, 04.7
- Convertible top pump 15.2
- Convertible top latch motor and rear screen heater element 01.8, 02.6, 07.2
- Convertible top latch sensors 15.2
- Convertible top latched sensor 15.2
- Convertible top stowage sensor 15.2
- Cruise controls Remote 06.5, 10.3
- Diagnostic Connector 01.11, 01.12, 01.4, 02.2, 02.3, 03.1, 05.1, 21.1, 21.2
- Distribution box-Power 01.1, 01.2, 01.3, 01.5, 02.1, 03.1, 04.1, 04.2, 04.3, 04.4, 04.5, 04.6, 04.7, 05.1, 06.1, 06.2, 06.5, 06.6, 07.2, 08.1, 09.2, 09.3, 13.6, 14.1, 20.1
- Downshift paddle switch 05.2, 10.3
- Driver seat Cushion Extension Motor 12.1
- Driver seat module 01.4, 02.4, 02.5, 12.1, 21.2
- Drivers seat height motor 12.1
- ECU-Heated steering wheel 12.3
- Engine control module (ECM) 01.1, 01.11, 01.2, 01.3, 01.4, 01.5, 01.6, 02.1, 03.1, 04.1, 04.2, 04.3, 04.4, 04.5, 04.6, 04.7, 05.1, 06.5, 18.2, 18.3, 21.1
- Engine Coolant Temperature Sensor (ECT) 04.1
- Face/feet air distribution door motor 07.1
- Fan-Cooling-Power amplifier 01.4, 02.2, 16.1
- Front Speaker-Driver 16.1, 16.2
- Front Speaker-Passenger 16.1, 16.2
- Front Tweeter-Driver 16.1, 16.2
- Front Tweeter-Passenger 16.1, 16.2
- Fuel injector-No.1 01.3, 04.4, 04.5
- Fuel injector-No.2 01.3, 04.4, 04.5
- Fuel injector-No.3 01.3, 04.4, 04.5
- Fuel injector-No.4 01.3, 04.4, 04.5
- Fuel injector-No.5 01.3, 04.4, 04.5
- Fuel injector-No.6 01.3, 04.4, 04.5
- Fuel injector-No.7 01.3, 04.4, 04.5
- Fuel injector-No.8 01.3, 04.4, 04.5
- Fuel Tank-Petrol 01.11, 01.9, 02.4, 04.6
- Generator 01.12, 01.6, 03.1
- GPS antenna 17.2
- Handle-Driver door 01.5, 02.2, 13.2, 13.3
- Handle-Passenger door 01.11, 01.5, 02.2, 13.2, 13.3
- Headlamp-LH 01.10, 01.2, 01.6, 01.7, 02.1, 09.1, 09.2, 09.3, 09.4
- Headlamp-RH 01.10, 01.2, 01.6, 01.7, 02.1, 09.1, 09.2, 09.3, 09.4
- Heater-Seat backrest Driver 01.6, 02.4, 02.5, 12.3
- Heater-Seat backrest Passenger 02.5, 12.3
- Heater-Seat cushion Driver 01.6, 01.7, 12.3
- Heater-Seat cushion Passenger 01.7, 12.3
- Heater-Steering wheel 01.6, 12.3
- Hood actuator-LH 18.4
- Hood actuator-RH 18.4
- Hood ajar switch 01.5, 02.1, 13.5
- Horn (s) 01.1, 02.1, 13.6
- Ignition coil-1 04.4
- Ignition coil-2 04.4
- Ignition coil-3 04.4
- Ignition coil-4 04.4
- Ignition coil-5 04.4
- Ignition coil-6 04.4
- Ignition coil-7 04.4
- Ignition coil-8 04.4
- Ignition coils 01.2
- Information and entertainment control module 01.8, 02.3, 16.1, 16.2, 21.2, 21.3
- Initiator-Front-LH 06.7
- Initiator-Front-RH 06.7
- Initiator-Rear-LH 06.7
- Initiator-Rear-RH 06.7
- Instrument cluster 01.4, 01.5, 02.3, 03.1, 05.1, 05.2, 06.5, 06.6, 08.1, 09.1, 09.4, 09.6, 09.7, 10.3, 11.1, 13.1, 13.4, 13.5, 14.1, 21.1, 21.2
- Instrument panel harness 21.3
- Instrument panel-Center 02.3
- Instrument panel-left-lower 02.3
- Instrument panel-left-upper 02.3
- Instrument panel-right-lower 02.3
- Instrument panel-right-upper 02.3
- Integrated audio module 01.8, 16.2, 16.3, 17.1, 21.3
- Integrated control panel 01.11, 01.8, 02.3, 09.6, 16.1, 16.2, 18.1, 21.2
- Integrated head unit 02.3
- Jump Start Post 03.1
- Keyless vehicle module 01.11, 01.4, 01.5, 01.6, 02.3, 13.1, 13.2, 13.3, 13.4, 13.5, 21.2
- Lamp-Fog Front-LH 01.7, 02.1, 09.7
- Lamp-Fog Front-RH 01.7, 02.1, 09.7
- Lamp-Fog-reverse-LH 01.10, 02.6, 09.5, 09.7
- Lamp-Fog-reverse-RH 01.10, 02.6, 09.5, 09.7
- Lamp-Footwell Front-LH 01.11, 01.4, 10.1
- Lamp-Footwell Front-RH 01.11, 01.4, 10.1
- Lamp-Glove compartment 01.4, 10.1
- Lamp-High mounted stop 01.10, 02.6, 09.5
- Lamp-Load space 01.10, 02.6, 10.2
- Lamp-Load space-Convertible 01.10, 02.6, 10.2
- Lamp-Load space-LH 01.10, 02.6, 10.2
- Lamp-Puddle-Driver 10.2
- Lamp-Puddle-Passenger 10.2
- Lamp-Rear number plate-LH 01.10, 02.6, 09.4
- Lamp-Rear number plate-RH 01.10, 02.6, 09.4
- Lamp-Reverse 01.12, 02.6
- Lamp-Side repeater Front-LH 01.10, 02.1, 09.6
- Lamp-Side repeater Front-RH 01.10, 02.1, 09.6

- Lamp-Sun visor-LH 01.4, 02.2
- Lamp-Sun visor-RH 01.4, 02.2
- Lamp-Tail LH 02.6
- LH air temperature door motor 07.1
- LH stop lamp 09.5
- Liftgate Latch/Luggage Compartment Lid Latch 01.10, 01.11, 02.6, 10.2, 13.4, 13.6
- Microphone 17.1
- Mirror-Door Driver side 07.2, 11.2
- Mirror-Door Passenger side 07.2, 11.2
- Mirror-interior 01.6, 02.2, 11.2
- Mirror-Vanity-LH 10.1
- Mirror-Vanity-RH 10.1
- Module-Blower motor control-Front 02.2, 07.1
- Module-Climate Control 01.4, 02.2, 02.3, 07.1, 09.1, 09.4, 21.2
- Module-Convertible top 01.12, 02.5, 15.2, 21.2
- Module-Door latch Driver 02.2, 13.2, 13.3
- Module-Door latch Passenger 02.2, 13.2, 13.3
- Module-Driver door 01.12, 02.2, 03.1, 07.2, 10.2, 11.2, 12.1, 13.4, 13.5, 15.1, 21.2
- Module-Fuel pump driver 01.8, 02.4, 04.6
- Module-Headlamp control 01.2, 02.3, 09.2, 09.3, 21.1
- Module-Intrusion detection 01.5, 01.6, 01.7, 13.5
- Module-Parking brake 01.11, 01.12, 01.4, 01.5, 01.6, 02.5, 06.3, 21.1
- Module-Passenger door 01.12, 02.2, 02.3, 03.1, 07.2, 10.2, 11.2, 12.2, 13.4, 13.5, 15.1, 21.2
- Module-SDARS 01.8, 02.6, 16.4, 21.3
- Module-Seat occupancy 01.8, 18.1, 21.1
- Module-Signal splitter 02.6, 16.3
- Module-Slave intrusion detection 01.5, 01.6, 01.7, 13.5
- Module-speed control 01.1, 01.6, 02.3
- Module-Steering column lock 01.11, 01.6
- Module-steering column locking 13.5, 21.1
- Module-Telephone 02.6, 17.1, 21.3
- Module-Tire pressure monitoring system 01.12, 01.6, 02.5, 06.7, 21.2
- Motor-Blower 01.8, 07.1
- Motor-latch-Convertible top 15.2
- Motor-Recirculated air 07.1
- Motor-Release Fuel flap 01.10, 02.6, 13.4
- Motor-Seat Back recline 12.2
- Motor-Seat Tilt-Driver 12.1
- Motor-Seat-Backrest recline 12.1, 12.2
- Motor-Seat-Comfort 02.4, 02.5
- Motor-seat-forward rearward-driver 12.1
- Motor-seat-forward rearward-passenger 12.2
- Motor-Washer Windscreen 02.1
- Motor-Window Passenger 15.1
- Motor-Window-Driver 15.1
- Motor-Wiper Windscreen 01.1, 01.5, 02.1, 14.1
- Navigation system module 01.8, 02.6, 16.3, 17.2, 21.3
- Overhead console 01.11, 01.4, 01.5, 01.6, 02.2, 10.1, 10.3, 15.2, 19.1
- Parking aid module 01.10, 02.2, 19.1, 21.2
- Parking aid sensor Inner-Front-LH 19.1
- Parking aid sensor Inner-Front-RH 19.1
- Parking aid sensor Inner-Rear-LH 19.1
- Parking aid sensor Inner-Rear-RH 19.1
- Parking aid sensor Outer-Front-LH 19.1
- Parking aid sensor Outer-Front-RH 19.1
- Parking aid sensor Outer-Rear-LH 19.1
- Parking aid sensor Outer-Rear-RH 19.1
- Parking Brake Actuator 06.3
- Passenger door switch pack 15.1
- Passenger seat module 01.4, 02.4, 02.5, 12.2, 21.2
- Passenger seat height motor 12.2
- Passive-sounder 01.6, 02.1, 13.6
- Pedestrian protection module 01.8, 02.1, 18.4, 21.1
- Pedestrian protection accelerometer - LH 18.4
- Pedestrian protection accelerometer-RH 18.4
- Power steering solenoid 08.1
- Pre-tensioner Driver 18.1
- Pre-tensioner Passenger 18.1
- Pump Fuel 01.11
- Pump-Auxiliary coolant 01.7, 02.1, 07.1
- Pump-Lumbar Driver 02.4, 12.1
- Pump-Lumbar Passenger 02.4, 02.5, 12.2
- Pump-Power wash 01.1, 02.1, 14.1
- Pump-Washer Windscreen 01.7, 14.1
- Purge control valve 01.3, 04.4
- Rear Quarter Window Regulator Motor-LH 15.2
- Rear Quarter Window Regulator Motor-RH 15.2
- Rear Speaker-LH 16.1, 16.2
- Rear Speaker-RH 16.1, 16.2
- Rear window heater element 01.8, 02.6, 07.2
- Receiver-Tire pressure monitoring 01.12, 02.6, 06.7
- Refrigerant solenoid valve 07.1
- Relay Horn 01.11
- Relay-Transit 01.11, 02.6, 03.1
- Restraints Control Module (RCM) 01.11, 01.8, 02.4, 18.1, 18.2, 18.3, 21.1
- RF receiver 01.4, 02.2, 13.1, 13.2, 13.3, 13.5
- RH air temperature door motor 07.1
- RH stop lamp 09.5
- Roll over protection hoop 18.3
- Screen air distribution door motor 07.1
- SDARS antenna 16.4
- Secondary Air Injection (SAI) pump 01.4, 02.1, 04.3
- Selector-Automatic transmission 01.5, 01.6, 02.4, 03.1, 05.1, 10.3, 21.1
- Sensor Sunlight 01.4, 07.1, 08.1, 09.1, 09.4, 13.5
- Sensor-Air quality 01.6, 02.1, 07.1
- Sensor-Ambient air temperature 04.1
- Sensor-CMP-LH 04.2
- Sensor-CMP-RH 04.2
- Sensor-Compartment lid 15.2
- Sensor-Crankshaft position (CKP) 04.2
- Sensor-Driver seat track 02.4, 12.1, 18.1
- Sensor-DSC 06.2
- Sensor-Evaporator 07.1
- Sensor-Front impact LH side 18.2, 18.3
- Sensor-Front impact RH side 18.2, 18.3
- Sensor-Height Front 09.2, 09.3
- Sensor-Height Rear 09.2, 09.3
- Sensor-Knock (KS) 04.2
- Sensor-Low washer fluid level 01.5, 02.1, 14.1
- Sensor-Main bow-Center 15.2
- Sensor-Main bow-In 15.2
- Sensor-Main bow-Out 15.2
- Sensor-Manifold Absolute Pressure (MAP) 04.1
- Sensor-MAP-Secondary air injection (SAI) 04.1
- Sensor-Mass air flow (MAF) 01.3, 04.1
- Sensor-Oil temperature level 04.1
- Sensor-Oxygen-Even Post catalyst 01.2, 04.3
- Sensor-Oxygen-Even Pre-catalyst 01.2, 04.3
- Sensor-Oxygen-Odd Post catalyst 01.2, 04.3
- Sensor-Oxygen-Odd Pre-catalyst 01.2, 04.3
- Sensor-Pedestrian impact 18.4
- Sensor-Position Accelerator pedal 04.1
- Sensor-Pressure Air Conditioning 07.1
- Sensor-Pressure Fuel rail 04.1
- Sensor-Pump temperature 15.2
- Sensor-Rain 01.5, 01.6, 01.7, 14.1
- Sensor-Safety belt tension 18.1

- Sensor-Seat position Fore and aft 12.2
 Sensor-Seat occupancy 18.1
 Sensors-Main bow 15.2
 Sensor-Steering angle 06.1, 06.2
 Sensor-Temperature and Manifold Absolute Pressure (TMAP) 04.1
 Sensor-Temperature Fuel rail 04.2
 Sensor-Temperature/ Humidity 01.4, 02.3, 07.1
 Sensor-Tire Front-LH 06.7
 Sensor-Tire Front-RH 06.7
 Sensor-Tire Rear-LH 06.7
 Sensor-Tire Rear-RH 06.7
 Sensor-Yaw Rate 06.1, 06.2, 21.1
 Service connector driver seat 12.1
 Service connector passenger seat 12.2
 Side impact sensor-LH 18.2, 18.3
 Side impact sensor-RH 18.2, 18.3
 Slip rings-Steering wheel 02.3, 12.3
 Socket-Accessory Front 01.4, 02.3, 20.1
 Socket-Accessory Rear 01.12, 01.4, 02.6, 20.1
 Solenoid-Comfort-LH 01.10, 18.2, 18.3
 Solenoid-Comfort-RH 01.10, 18.2, 18.3
 Solenoid-Damper Front-LH 06.4
 Solenoid-Damper Front-RH 06.4
 Solenoid-Damper Rear-LH 06.4
 Solenoid-Damper Rear-RH 06.4
 Solenoid-Lumbar-pump 12.1, 12.2
 Solenoid-Seat bolster Driver 02.4, 12.1
 Solenoid-Seat bolster Passenger 02.5, 12.2
 Solenoid-Starter motor 01.1
 Solenoid-Vacuum (SAI) 01.3, 04.3
 Sounder-Battery backed 01.7, 13.6
 Speaker-Subwoofer 16.1
 Speed control module 06.6, 21.1
 Start control unit 01.11, 01.4, 02.4, 03.1, 08.1, 13.1
 Starter motor 03.1
 Stepper Motor-EGR 01.3, 04.4
 Stop lamp switch 01.4
 Super charger coolant pump 01.3, 02.1, 04.7
 Suppressor-Stop lamp High mounted 01.10, 02.6, 09.5
 Switch-Automatic speed limiter (ASL) 01.6, 02.4, 05.1, 10.3
 Switch-Boot release 01.11, 02.6, 13.2, 13.3, 13.4
 Switch-Brake fluid level 06.1, 06.2
 Switch-Brake-1 01.11, 01.5, 06.3, 06.5, 09.5
 Switch-Brake-2 02.2, 06.5
 Switch-Buckle Driver 18.1
 Switch-Buckle Passenger 02.5, 18.1
 Switch-Convertible top Compartment lid 02.6, 15.2
 Switch-Door Driver 01.11, 02.2, 13.4
 Switch-Door Passenger 01.11, 02.2, 13.4
 Switch-Electric park brake 01.6, 02.4, 06.3
 Switch-Glove compartment 02.3, 10.1
 Switch-Horn 13.6
 Switch-Oil pressure 08.1
 Switch-Pedal-column adjust 08.1
 Switch-Remote-ICE 05.2, 06.5, 10.3, 13.6, 16.1, 16.2
 Switch-Safety belt Driver 02.4
 Switch-Seat memory-Driver 01.4
 Switch-Seat memory-Passenger 01.4
 Switch-Seat Driver 12.1
 Switch-Seat Passenger 12.2
 Switch-Start stop 01.11, 01.6, 01.7, 02.4, 03.1, 05.1, 10.3, 13.1
 Switch-Steering column adjustment 11.1
 Switch-Steering column Lighting 08.1, 09.1, 09.4, 09.6, 09.7
 Switch-Steering column Wiper 08.1, 14.1
 Switch-Window-mirror Driver 01.4, 02.2, 11.2, 12.1, 15.1
 Tail lamp unit-LH 01.10, 02.6, 09.4
 Tail lamp unit-RH 01.10, 02.6, 09.4
 Telephone antenna 17.1
 Touch screen display 01.8, 02.3, 17.2, 21.3
 Transit mode-bypass connector 01.12, 03.1, 07.2, 10.2, 11.2, 13.4, 15.1
 Transmission control module 01.1, 01.5, 01.6, 02.1, 05.1, 21.1
 Turn signal indicator/ hazard flasher lamp-Rear-LH 09.6
 Turn signal indicator/ hazard flasher lamp-Rear-RH 09.6
 Turn signal indicator/ hazard warning lamp Front LH 09.6
 Turn signal indicator/ hazard warning lamp Front RH 09.6
 Unit-Electric throttle 04.2
 Unit-Leak detection 01.3, 04.6
 Unit-Steering column 02.3, 08.1, 11.1
 Upshift paddle switch 05.2, 10.3
 Valve block 15.2
 Valve block-Lumbar Driver 12.1
 Valve block-Lumbar Passenger 12.2
 Variable Camshaft Timing (VCT) Unit-Bank 1 01.3, 04.4
 Variable Camshaft Timing (VCT) Unit-Bank 2 01.3, 04.4
 Voice recognition module 01.8
 Wheel speed sensor LH front 06.1, 06.2
 Wheel speed sensor LH rear 06.1, 06.2
 Wheel speed sensor RH front 06.1, 06.2
 Wheel speed sensor RH rear 06.1, 06.2
 Windshield LH heater element 01.2, 02.2, 07.2
 Windshield RH heater element 01.2, 02.2, 07.2

Connector	Description	Color	Cav	Location	Harness
AC001	Air conditioning (A/C) harness to main harness	Natural	2	Behind passenger side of Instrument panel	ATC RHD
AC001	Main harness to air conditioning (A/C) harness	Natural	2	Behind passenger side of Instrument panel	CABIN RH
AC001	Air conditioning (A/C) harness to main harness	Natural	2	Behind passenger side of Instrument panel	ATC LHD
AC001	Main harness to air conditioning (A/C) harness	Natural	2	Behind passenger side of Instrument panel	CABIN LH
AC002	ECU-Automatic-Temperature Control	Natural	30	Behind passenger side of Instrument panel	ATC RHD
AC002	ECU-Automatic-Temperature Control	Natural	30	Behind passenger side of Instrument panel	ATC LHD
AC004	Motor-Blower	Natural	2	Behind passenger side of Instrument panel	ATC LHD
AC004	Motor-Blower	Natural	2	Behind passenger side of Instrument panel	ATC RHD
AC005	Module-Blower-motor control-Front	Black	5	Behind passenger side of Instrument panel	ATC LHD
AC005	Module-Blower-motor control-Front	Black	5	Behind passenger side of Instrument panel	ATC RHD
AC007	Sensor-Evaporator	Natural	2	Behind center of Instrument panel	ATC LHD
AC007	Sensor-Evaporator	Natural	2	Behind center of Instrument panel	ATC RHD
AC008	RH air temperature door motor	Blue	6	Behind center of Instrument panel	ATC LHD
AC008	RH air temperature door motor	Blue	6	Behind center of Instrument panel	ATC RHD
AC010	Motor-Recirculated air	Green	7	Behind passenger side of Instrument panel	ATC LHD
AC010	Motor-Recirculated air	Green	7	Behind passenger side of Instrument panel	ATC RHD
AC011	Screen air distribution door motor	Black	6	Behind center of Instrument panel	ATC LHD
AC011	Screen air distribution door motor	Black	6	Behind center of Instrument panel	ATC RHD
AC012	Face/feet air distribution door motor	Black	6	Behind center of Instrument panel	ATC LHD
AC012	Face/feet air distribution door motor	Black	6	Behind center of Instrument panel	ATC RHD
AC015	LH air temperature door motor	Blue	6	Behind center of Instrument panel	ATC LHD
AC015	LH air temperature door motor	Blue	6	Behind center of Instrument panel	ATC RHD
AL001	Alternator-generator - PV8			Front RH side of engine	ALT LINK LEAD
AL002	Starter motor - PV8			Rear RH side of engine	ALT LINK LEAD
BA001	Battery junction box		1	Luggage compartment - LH side	MEGAFUSE FUSE BOX TO FSJB
BA002	Junction box-Central		1	Base of LH 'A' post	MEGAFUSE FUSE BOX TO FSJB
BB001	BBUS link harness to power distribution box right harness	Black	6	Rear RH side of engine compartment	BBUS LINK
BB001	Power distribution box right harness to BBUS link harness	Black	6	Rear RH side of engine compartment	FRONT RIGHT
BB002	Sounder-Battery backed	Black	3	Rear LH side of engine compartment	BBUS LINK
BG001	Battery		1	Luggage compartment - LH side	BATTERY NEGATIVE
BL001	Tailgate harness to main harness	Grey	8	Luggage compartment - LH side	TAILGATE LINK
BL001	Tailgate harness to main harness	Grey	8	Luggage compartment - LH side	BOOTLID LINK
BL001	Main harness to tailgate harness	Grey	8	Luggage compartment - LH side	CABIN RH
BL001	Main harness to tailgate harness	Grey	8	Luggage compartment - LH side	CABIN LH
BL002	Tailgate harness to main harness	Light grey	2	Luggage compartment - LH side	TAILGATE LINK

Connector	Description	Color	Cav	Location	Harness
BL002	Main harness to tailgate harness	Light grey	2	Luggage compartment - LH side	CABIN RH
BL002	Main harness to tailgate harness	Grey	2	Luggage compartment - LH side	CABIN LH
BL003	Heated rear window (HRW)	Black	1	Rear screen - lower	TAILGATE LINK
BO001	Battery junction box		1	Luggage compartment - LH side	MEGAFUSE FUSE BOX TO RSJB
BO002	Junction box-Auxiliary		1	Behind rear seat backrest	MEGAFUSE FUSE BOX TO RSJB
BP001	Battery		1	Luggage compartment - RH side	BATTERY TO MEGAFUSE FUSE BOX
BP002	Battery junction box		1	Luggage compartment - LH side	BATTERY TO MEGAFUSE FUSE BOX
BS001	Jump Start-Post		1	Behind LH side of rear bumper	BATTERY TO STARTER MOTOR
BS002	Starter motor		1	Lower rear of engine - RH side	BATTERY TO STARTER MOTOR
BT001	Battery junction box		1	Luggage compartment - LH side	MEGAFUSE FUSE BOX TO PANEL STUD
BT002	Jump Start-Post		1	Luggage compartment - LH side	MEGAFUSE FUSE BOX TO PANEL STUD
CA010	Junction box-Central	Light grey	4	Base of LH 'A' post	CABIN RH
CA010	Junction box-Central	Light grey	4	Base of LH 'A' post	CABIN LH
CA011	Junction box-Central	Grey	2	Base of LH 'A' post	CABIN RH
CA011	Junction box-Central	Grey	2	Base of LH 'A' post	CABIN LH
CA012	Junction box-Central	Grey	10	Base of LH 'A' post	CABIN RH
CA012	Junction box-Central	Grey	10	Base of LH 'A' post	CABIN LH
CA013	Junction box-Central	Light grey	10	Base of LH 'A' post	CABIN RH
CA013	Junction box-Central	Light grey	10	Base of LH 'A' post	CABIN LH
CA015	Junction box-Central	Light grey	14	Base of LH 'A' post	CABIN RH
CA015	Junction box-Central	Light grey	14	Base of LH 'A' post	CABIN LH
CA016	Junction box-Central	Black	16	Base of LH 'A' post	CABIN RH
CA016	Junction box-Central	Black	16	Base of LH 'A' post	CABIN LH
CA018	Junction box-Auxiliary	Light grey	4	Behind rear seat backrest	CABIN RH
CA018	Junction box-Auxiliary	Light grey	4	Behind rear seat backrest	CABIN LH
CA019	Junction box-Auxiliary	Grey	2	Behind rear seat backrest	CABIN RH
CA019	Junction box-Auxiliary	Grey	2	Behind rear seat backrest	CABIN LH
CA021	Junction box-Auxiliary	Light grey	3	Behind rear seat backrest	CABIN RH
CA021	Junction box-Auxiliary	Light grey	3	Behind rear seat backrest	CABIN LH
CA022	Junction box-Auxiliary	Light grey	10	Behind rear seat backrest	CABIN RH
CA022	Junction box-Auxiliary	Light grey	10	Behind rear seat backrest	CABIN LH
CA023	Junction box-Auxiliary	Green	14	Behind rear seat backrest	CABIN RH
CA023	Junction box-Auxiliary	Green	14	Behind rear seat backrest	CABIN LH
CA024	Junction box-Auxiliary	Blue	14	Behind rear seat backrest	CABIN RH
CA024	Junction box-Auxiliary	Blue	14	Behind rear seat backrest	CABIN LH
CA025	Junction box-Auxiliary	Light grey	14	Behind rear seat backrest	CABIN RH

Connector	Description	Color	Cav	Location	Harness
CA025	Junction box-Auxiliary	Light grey	14	Behind rear seat backrest	CABIN LH
CA028	Heater element-Front screen	Black	1	RH 'A' post	CABIN RH
CA028	Heater element-Front screen	Black	1	RH 'A' post	CABIN LH
CA029	Heater element-Front screen	Black	1	RH 'A' post	CABIN RH
CA029	Heater element-Front screen	Black	1	RH 'A' post	CABIN LH
CA030	Side impact sensor-RH	Black	2	Behind RH rear trim panel	CABIN RH
CA030	Side impact sensor-RH	Black	2	Behind RH rear trim panel	CABIN LH
CA031	Roll over protection hoop - RH	Natural	2	Behind rear seat backrest	CABIN RH
CA031	Roll over protection hoop - RH	Natural	2	Behind rear seat backrest	CABIN LH
CA033	Adaptive Damping Module	Grey	2	Behind rear seat backrest	CABIN RH
CA033	Adaptive Damping Module	Grey	2	Behind rear seat backrest	CABIN LH
CA034	Adaptive Damping Module	Green	30	Behind rear seat backrest	CABIN RH
CA034	Adaptive Damping Module	Green	30	Behind rear seat backrest	CABIN LH
CA039	Rear Speaker-RH	White	2	Behind RH rear trim panel	CABIN RH
CA039	Rear Speaker-RH	White	2	Behind RH rear trim panel	CABIN LH
CA044	Parking aid module	White	16	Base of LH 'A' post	CABIN RH
CA044	Parking aid module	White	16	Base of LH 'A' post	CABIN LH
CA046	Parking aid module	White	12	Base of LH 'A' post	CABIN RH
CA046	Parking aid module	White	12	Base of LH 'A' post	CABIN LH
CA047	Accelerometer-Rear	Dark grey	3	Luggage compartment - LH side	CABIN RH
CA047	Accelerometer-Rear	Dark grey	3	Luggage compartment - LH side	CABIN LH
CA049	Tail lamp unit-RH	Black	6	RH rear of vehicle	CABIN RH
CA049	Tail lamp unit-RH	Black	6	RH rear of vehicle	CABIN LH
CA050	Module-Parking brake	Light grey	14	Behind rear seat backrest	CABIN RH
CA050	Module-Parking brake	Light grey	14	Behind rear seat backrest	CABIN LH
CA051	Module-Parking brake	Grey	24	Behind rear seat backrest	CABIN RH
CA051	Module-Parking brake	Grey	24	Behind rear seat backrest	CABIN LH
CA052	Socket-Accessory-Rear	Black	3	Luggage compartment - LH side	CABIN RH
CA052	Socket-Accessory-Rear	Black	3	Luggage compartment - LH side	CABIN LH
CA053	Lamp-Load space-LH	Black	2	Luggage compartment - LH side	CABIN RH
CA053	Lamp-Load space-LH	Black	2	Luggage compartment - LH side	CABIN LH
CA054	Tail lamp unit-LH	Black	6	LH rear of vehicle	CABIN RH
CA054	Tail lamp unit-LH	Black	6	LH rear of vehicle	CABIN LH
CA056	Rear Speaker-LH	White	2	Behind LH rear trim panel	CABIN RH
CA056	Rear Speaker-LH	White	2	Behind LH rear trim panel	CABIN LH

Connector	Description	Color	Cav	Location	Harness
CA059	Roll over protection hoop - LH	Natural	2	Behind rear seat backrest	CABIN RH
CA059	Roll over protection hoop - LH	Natural	2	Behind rear seat backrest	CABIN LH
CA060	Side impact sensor-LH	Black	2	Behind LH rear trim panel	CABIN RH
CA060	Side impact sensor-LH	Black	2	Behind LH rear trim panel	CABIN LH
CA061	Heater element-Front screen	Black	1	LH 'A' post	CABIN RH
CA061	Heater element-Front screen	Black	1	LH 'A' post	CABIN LH
CA062	Heater element-Front screen	Black	1	LH 'A' post	CABIN RH
CA062	Heater element-Front screen	Black	1	LH 'A' post	CABIN LH
CA065	Sensor-Position-Accelerator pedal	Black	6	Driver footwell	CABIN LH
CA065	Sensor-Position-Accelerator pedal	Black	6	Driver footwell	CABIN RH
CA068	Restraints Control Module (RCM)	Black	24	In rear of center console	CABIN RH
CA068	Restraints Control Module (RCM)	Black	24	In rear of center console	CABIN LH
CA070	Junction box-Auxiliary	Black	16	Behind rear seat backrest	CABIN RH
CA070	Junction box-Auxiliary	Black	16	Behind rear seat backrest	CABIN LH
CA072	Module-Tire pressure monitoring system	Blue	16	Behind rear seat backrest	CABIN RH
CA072	Module-Tire pressure monitoring system	Blue	16	Behind rear seat backrest	CABIN LH
CA074	Keyless vehicle module	Grey	23	Base of RH 'A' post	CABIN LH
CA074	Keyless vehicle module	Grey	23	Base of RH 'A' post	CABIN LH
CA075	Keyless vehicle module	Green	23	Base of RH 'A' post	CABIN RH
CA075	Keyless vehicle module	Green	23	Base of RH 'A' post	CABIN LH
CA076	Keyless vehicle module	Blue	23	Base of RH 'A' post	CABIN RH
CA076	Keyless vehicle module	Blue	23	Base of RH 'A' post	CABIN LH
CA077	Keyless vehicle module	Natural	23	Base of RH 'A' post	CABIN RH
CA077	Keyless vehicle module	Natural	23	Base of RH 'A' post	CABIN LH
CA078	Keyless vehicle module	Brown	23	Base of RH 'A' post	CABIN RH
CA078	Keyless vehicle module	Brown	23	Base of RH 'A' post	CABIN LH
CA080	Center console antenna-Rear	Grey	4	In rear of center console	CABIN RH
CA080	Center console antenna-Rear	Grey	4	In rear of center console	CABIN LH
CA081	Tailgate interior antenna	Grey	4	Front of luggage compartment - Center	CABIN RH
CA081	Tailgate interior antenna	Grey	4	Front of luggage compartment - Center	CABIN LH
CA085	Speed control module	Beige	30	Base of passenger side 'A' post	CABIN RH
CA085	Speed control module	Beige	30	Base of passenger side 'A' post	CABIN LH
CA086	Main harness to convertible top harness	Black	4	Headlining - Front LH side	CABIN RH
CA086	Main harness to convertible top harness	Black	4	Headlining - Front LH side	CABIN LH
CA092	Module-Convertible top	Light grey	12	Behind rear seat backrest	CABIN RH
CA092	Module-Convertible top	Light grey	12	Behind rear seat backrest	CABIN LH

Connector	Description	Color	Cav	Location	Harness
CA093	Rear Quarter Window Regulator Motor-RH	Light grey	2	Behind RH rear trim panel	CABIN RH
CA093	Rear Quarter Window Regulator Motor-RH	Light grey	2	Behind RH rear trim panel	CABIN LH
CA094	Rear Quarter Window Regulator Motor-LH	Light grey	2	Behind LH rear trim panel	CABIN RH
CA094	Rear Quarter Window Regulator Motor-LH	Light grey	2	Behind LH rear trim panel	CABIN LH
CA095	Convertible top harness to main harness	Dark grey	22	Luggage compartment - RH side	POWER HOOD
CA095	Main harness to convertible top harness	Dark grey	22	Luggage compartment - RH side	CABIN RH
CA095	Main harness to convertible top harness	Dark grey	22	Luggage compartment - RH side	CABIN LH
CA096	Convertible top stowage sensor	Black	4	Luggage compartment - LH side	CABIN RH
CA096	Convertible top stowage sensor	Black	4	Luggage compartment - LH side	CABIN LH
CA101	Junction box-Auxiliary	Black	16	Behind rear seat backrest	CABIN RH
CA101	Junction box-Auxiliary	Black	16	Behind rear seat backrest	CABIN LH
CA102	Mirror-Vanity-RH	Black	2	Headlining - Front RH side	CABIN RH
CA102	Mirror-Vanity-RH	Black	2	Headlining - Front RH side	CABIN LH
CA103	Lamp-Interior-Front	Natural	20	Behind interior light	CABIN RH
CA103	Lamp-Interior-Front	Natural	20	Behind interior light	CABIN LH
CA104	Mirror-interior	Grey	8	Rear view mirror	CABIN RH
CA104	Mirror-interior	Grey	8	Rear view mirror	CABIN LH
CA105	Sensor-Rain	Black	3	Rear view mirror	CABIN RH
CA105	Sensor-Rain	Black	3	Rear view mirror	CABIN LH
CA106	Mirror-Vanity-LH	Black	2	Headlining - Front LH side	CABIN RH
CA106	Mirror-Vanity-LH	Black	2	Headlining - Front LH side	CABIN LH
CA107	Main harness to convertible top harness	Black	4	Behind LH rear trim panel	CABIN RH
CA107	Main harness to convertible top harness	Black	4	Behind LH rear trim panel	CABIN LH
CA109	Module-Tire pressure monitoring system	Green	16	Behind rear seat backrest	CABIN RH
CA109	Module-Tire pressure monitoring system	Green	16	Behind rear seat backrest	CABIN LH
CA110	Convertible top pump	Grey	2	Luggage compartment - RH side	CABIN RH
CA110	Convertible top pump	Grey	2	Luggage compartment - RH side	CABIN LH
CA111	Convertible top latch motor and rear screen heater element	Light grey	4	Behind LH rear trim panel	CABIN RH
CA111	Convertible top latch motor and rear screen heater element	Light grey	4	Behind LH rear trim panel	CABIN LH
CA112	ECU-Automatic-Temperature Control	Natural	26	Behind passenger side of Instrument panel	CABIN LH
CA112	ECU-Automatic-Temperature Control	Natural	26	Behind passenger side of Instrument panel	CABIN RH
CA113	Solenoid-Damper-Rear-LH	Black	2	Luggage compartment - LH side	CABIN RH
CA113	Solenoid-Damper-Rear-LH	Black	2	Luggage compartment - LH side	CABIN LH
CA114	Microphone	Natural	2	Driver 'A' post	CABIN RH
CA114	Microphone	Natural	2	Driver 'A' post	CABIN LH

Connector	Description	Color	Cav	Location	Harness
CA115	Amplifier-power	Grey	2	Passenger footwell	CABIN LH
CA115	Amplifier-power	Grey	2	Passenger footwell	CABIN RH
CA116	Instrument panel harness to main harness	Green	16	Passenger footwell	INSTRUMENT PANEL
CA116	Amplifier-power	Green	16	Passenger footwell	CABIN LH
CA116	Amplifier-power	Green	16	Passenger footwell	CABIN RH
CA117	Amplifier-power	Black	2	Passenger footwell	CABIN LH
CA117	Amplifier-power	Black	2	Passenger footwell	CABIN RH
CA118	Sub-woofer	White	2	Passenger footwell	CABIN LH
CA118	Sub-woofer	White	2	Passenger footwell	CABIN RH
CA119	Main harness to instrument panel harness	Black	2	Beneath center console	CABIN RH
CA119	Instrument panel harness to main harness	Black	2	Beneath center console	INSTRUMENT PANEL
CA119	Main harness to instrument panel harness	Black	2	Beneath center console	CABIN LH
CA119	Instrument panel harness to main harness	Black	2	Beneath center console	INSTRUMENT PANEL
CA121	RF receiver	Black	3	Headlining - Front RH side	CABIN RH
CA121	RF receiver	Black	3	Headlining - Front RH side	CABIN LH
CA122	Module-Intrusion detection	Black	4	Beneath center console	CABIN RH
CA122	Module-Intrusion detection	Black	4	Beneath center console	CABIN LH
CA127	Unit-Fuel Tank	Black	6	Beneath rear seat	CABIN RH
CA127	Unit-Fuel Tank	Black	6	Beneath rear seat	CABIN LH
CA129	Junction box-Auxiliary	Black	16	Behind rear seat backrest	CABIN RH
CA129	Junction box-Auxiliary	Black	16	Behind rear seat backrest	CABIN LH
CA130	Junction box-Central	Black	16	Base of LH 'A' post	CABIN RH
CA130	Junction box-Central	Black	16	Base of LH 'A' post	CABIN LH
CA131	Receiver-Tire-pressure monitoring	Black	3	Behind rear seat backrest	CABIN RH
CA131	Receiver-Tire-pressure monitoring	Black	3	Behind rear seat backrest	CABIN LH
CA132	Restraints Control Module (RCM)	Black	24	In rear of center console	CABIN RH
CA132	Restraints Control Module (RCM)	Black	24	In rear of center console	CABIN LH
CA133	Relay-Transit	White	2	Front of luggage compartment - Center	CABIN RH
CA133	Relay-Transit	White	2	Front of luggage compartment - Center	CABIN LH
CA134	Relay-Transit	Black	2	Front of luggage compartment - Center	CABIN RH
CA134	Relay-Transit	Black	2	Front of luggage compartment - Center	CABIN LH
CA135	Relay-Transit	Black	2	Front of luggage compartment - Center	CABIN RH
CA135	Relay-Transit	Black	2	Front of luggage compartment - Center	CABIN LH
CA136	Solenoid-Comfort-LH	Black	3	Behind LH rear trim panel	CABIN RH
CA136	Solenoid-Comfort-LH	Black	3	Behind LH rear trim panel	CABIN LH
CA137	Solenoid-Comfort-RH	Black	3	Behind RH rear trim panel	CABIN RH

Connector	Description	Color	Cav	Location	Harness
CA137	Solenoid-Comfort-RH	Black	3	Behind RH rear trim panel	CABIN LH
CA138	Antenna-VICS		1	LH 'A' post	CABIN RH
CA138	Antenna-VICS		1	LH 'A' post	CABIN LH
CA139	Vics link harness to main harness		1	Behind RH rear trim panel	TELEMATICS
CA139	Main harness to vics link harness		1	Behind RH rear trim panel	CABIN RH
CA139	Main harness to vics link harness		1	Behind RH rear trim panel	CABIN LH
CA140	Module-Slave intrusion detection	Black	4	Beneath rear seat	CABIN RH
CA140	Module-Slave intrusion detection	Black	4	Beneath rear seat	CABIN LH
CA141	Lamp-Load space-RH	Black	2	Luggage compartment - RH side	CABIN RH
CA141	Lamp-Load space-RH	Black	2	Luggage compartment - RH side	CABIN LH
CA142	Stop lamp switch	Natural	4	Driver footwell	CABIN LH
CA142	Stop lamp switch	Natural	4	Driver footwell	CABIN RH
CA143	Module-Convertible top	Black	6	Behind rear seat backrest	CABIN RH
CA143	Module-Convertible top	Black	6	Behind rear seat backrest	CABIN LH
CA144	Module-Convertible top	Black	6	Behind rear seat backrest	CABIN RH
CA144	Module-Convertible top	Black	6	Behind rear seat backrest	CABIN LH
CA145	Module-Convertible top	Grey	22	Behind rear seat backrest	CABIN RH
CA145	Module-Convertible top	Grey	22	Behind rear seat backrest	CABIN LH
CA146	Connector-Road pricing	Black	2	RH 'A' post	CABIN RH
CA146	Connector-Road pricing	Black	2	RH 'A' post	CABIN LH
CA147	Lamp-Footwell-Front-LH	Natural	2	Under LH side of Instrument panel	CABIN LH
CA147	Lamp-Footwell-Front-LH	Natural	2	Under LH side of Instrument panel	CABIN RH
CA148	Lamp-Footwell-Front-RH	Natural	2	Under RH side of Instrument panel	CABIN LH
CA148	Lamp-Footwell-Front-RH	Natural	2	Under RH side of Instrument panel	CABIN RH
CA152	Sensor-Safety belt tension	Black	3	Behind RH rear trim panel	CABIN RH
CA152	Sensor-Safety belt tension	Black	3	Behind RH rear trim panel	CABIN LH
CA165	Fan-Cooling-Power amplifier	Light grey	2	Passenger footwell	CABIN LH
CA165	Fan-Cooling-Power amplifier	Light grey	2	Passenger footwell	CABIN RH
CA166	Module-Fuel-pump driver	Dark grey	6	Beneath rear of vehicle RH side	CABIN RH
CA166	Module-Fuel-pump driver	Dark grey	6	Beneath rear of vehicle RH side	CABIN LH
CA188	Suppressor-Stop lamp-High mounted	Grey	2	LH rear quarter - adjacent to lamp assembly	CABIN RH
CA188	Suppressor-Stop lamp-High mounted	Grey	2	LH rear quarter - adjacent to lamp assembly	CABIN LH
CC001	Instrument panel harness to Center console harness	Grey	8	Beneath center console LH side	INSTRUMENT PANEL
CC001	Instrument panel harness to Center console harness	Grey	8	Beneath center console LH side	INSTRUMENT PANEL
CC001	Center console harness to instrument panel harness	Grey	8	Beneath center console LH side	CONSOLE

Connector	Description	Color	Cav	Location	Harness
CC002	Start control unit	Grey	6	Beneath center console	CONSOLE
CC003	Switch-Starter	Black	6	Beneath center console	CONSOLE
CC004	Switch-Automatic speed limiter (ASL)	Black	6	Beneath center console	CONSOLE
CC005	Switch-Electric-park brake	Black	8	Beneath center console	CONSOLE
CC006	Cigar lighter-Front	Natural	3	Beneath center console	CONSOLE
CC007	Main harness to console harness	Black	10	Beneath center console LH side	CABIN RH
CC007	Console harness to main harness	Black	10	Beneath center console LH side	CONSOLE
CC007	Main harness to console harness	Black	10	Beneath center console LH side	CABIN LH
CC008	Instrument panel harness to Center console harness	Grey	2	Beneath center console LH side	INSTRUMENT PANEL
CC008	Instrument panel harness to Center console harness	Grey	2	Beneath center console LH side	INSTRUMENT PANEL
CC008	Center console harness to instrument panel harness	Black	2	Beneath center console LH side	CONSOLE
CP001	Cooling pack harness to power distribution box left harness	Dark grey	4	Lower RH front of engine compartment	COOLING PACK
CP001	Power distribution box left harness to cooling pack harness	Dark grey	4	Lower RH front of engine compartment	FRONT LEFT
CP002	Pump-Auxiliary coolant	Black	2	Lower RH front of engine compartment	COOLING PACK
CP004	Coolant pump - PV8SC	Black	2	Lower RH front of engine compartment	COOLING PACK
CV001	Rear axle harness to main harness	Dark grey	6	Beneath rear of vehicle LH side	REAR AXLE
CV001	Main harness to rear axle harness	Dark grey	6	Beneath rear of vehicle LH side	CABIN RH
CV001	Main harness to rear axle harness	Dark grey	6	Beneath rear of vehicle LH side	CABIN LH
CV005	Rear axle harness to main harness	Dark grey	12	Beneath rear of vehicle LH side	REAR AXLE
CV005	Main harness to rear axle harness	Dark grey	12	Beneath rear of vehicle LH side	CABIN RH
CV005	Main harness to rear axle harness	Dark grey	12	Beneath rear of vehicle LH side	CABIN LH
CV006	ABS rear harness to rear axle harness	Black	2	Beneath rear of vehicle LH side	ABS REAR
CV006	Rear axle harness to ABS rear harness	Black	2	Beneath rear of vehicle LH side	REAR AXLE
CV007	Parking Brake Actuator	Dark grey	6	Beneath rear of vehicle LH side	REAR AXLE
CV008	Rear axle harness to ABS rear harness	Black	2	Beneath rear of vehicle RH side	REAR AXLE
CV009	Sensor-Height-Rear	Black	6	Beneath rear of vehicle RH side	REAR AXLE
CV011	Diagnostic monitoring tank Leakage	Black	4	LH side of fuel tank	REAR AXLE
DD001	Main harness to driver door harness	Dark grey	22	Driver 'A' post	CABIN RH
DD001	Main harness to driver door harness	Dark grey	22	Driver 'A' post	CABIN LH
DD001	Driver door harness to main harness	Dark grey	22	Driver 'A' post	DRIVER DOOR
DD002	Mirror-Door-Driver side	Grey	10	Behind driver door switch pack	DRIVER DOOR
DD003	Module-Driver-door	Black	22	Behind driver door trim panel	DRIVER DOOR
DD004	Front Speaker-Driver	White	2	Behind driver door trim panel	DRIVER DOOR
DD005	Assembly-Door-lock-Driver	Black	10	Behind driver door trim panel	DRIVER DOOR
DD008	Module-Door latch-Driver	Black	4	Behind driver door trim panel	DRIVER DOOR
DD009	Handle-Driver door	Black	6	Inside driver door	DRIVER DOOR

Connector	Description	Color	Cav	Location	Harness
DD013	Mirror-Door-Driver side	Grey	6	Behind driver door switch pack	DRIVER DOOR
DD014	Module-Driver-door	Black	24	Behind driver door trim panel	DRIVER DOOR
DD015	Main harness to driver door harness	Grey	10	Driver 'A' post	CABIN RH
DD015	Main harness to driver door harness	Grey	10	Driver 'A' post	CABIN LH
DD015	Driver door harness to main harness	Grey	10	Driver 'A' post	DRIVER DOOR
DD016	Motor-Window-Driver	Black	6	Behind driver door trim panel	DRIVER DOOR
DL001	Lumbar harness to driver seat harness	Grey	8	Behind driver seat backrest	LUMBAR 2-WAY DRIVER
DL001	Lumbar harness to driver seat harness	Grey	8	Behind driver seat backrest	LUMBAR 4-WAY DRIVER
DL001	Driver seat harness to lumbar harness	Grey	8	Behind driver seat backrest	SEAT DRIVER RHD
DL001	Driver seat harness to lumbar harness	Grey	8	Behind driver seat backrest	SEAT DRIVER LHD
DL002	Valve block-Lumbar-Driver	Black	6	Behind driver seat backrest	LUMBAR 4-WAY DRIVER
DL003	Pump-Lumbar-Driver	Black	3	Behind driver seat backrest	LUMBAR 4-WAY DRIVER
DL004	Pump-Lumbar-Driver	Black	3	Behind driver seat backrest	LUMBAR 2-WAY DRIVER
DL005	Solenoid-Seat bolster-Driver	Black	6	Behind driver seat backrest	LUMBAR 4-WAY DRIVER
DL006	Solenoid-Lumbar-pump	Black	3	Behind driver seat backrest	LUMBAR 2-WAY DRIVER
DS001	Main harness to driver seat harness	Grey	20	Beneath driver seat	CABIN RH
DS001	Main harness to driver seat harness	Grey	20	Beneath driver seat	CABIN LH
DS001	Driver seat harness to main harness	Grey	20	Beneath driver seat	SEAT DRIVER RHD
DS001	Driver seat harness to main harness	Grey	20	Beneath driver seat	SEAT DRIVER LHD
DS002	Heater-Seat cushion-Driver	Black	4	Beneath driver seat	SEAT DRIVER RHD
DS002	Heater-Seat cushion-Driver	Black	4	Beneath driver seat	SEAT DRIVER LHD
DS003	Heater- seat squab	Black	2	Behind driver seat backrest	SEAT DRIVER RHD
DS003	Heater- seat squab	Black	2	Behind driver seat backrest	SEAT DRIVER LHD
DS004	Motor-Seat-Tilt-Driver	Black	5	Beneath driver seat	SEAT DRIVER RHD
DS004	Motor-Seat-Tilt-Driver	Black	5	Beneath driver seat	SEAT DRIVER LHD
DS005	Motor-Seat height-Front-Driver	Black	4	Beneath driver seat	SEAT DRIVER RHD
DS005	Motor-Seat height-Front-Driver	Black	4	Beneath driver seat	SEAT DRIVER LHD
DS006	Motor-seat-forward rearward-driver	Black	4	Beneath driver seat	SEAT DRIVER RHD
DS006	Motor-seat-forward rearward-driver	Black	4	Beneath driver seat	SEAT DRIVER LHD
DS007	Motor-Seat-Recline-Driver	Black	5	Behind driver seat backrest	SEAT DRIVER RHD
DS007	Motor-Seat-Recline-Driver	Black	5	Behind driver seat backrest	SEAT DRIVER LHD
DS009	Driver seat Cushion Extension Motor	Black	5	Beneath driver seat	SEAT DRIVER RHD
DS009	Driver seat Cushion Extension Motor	Black	5	Beneath driver seat	SEAT DRIVER LHD
DS010	Air bag-Side-Driver		1	Side of driver seat backrest	SEAT DRIVER RHD
DS010	Air bag-Side-Driver		1	Side of driver seat backrest	SEAT DRIVER LHD

Connector	Description	Color	Cav	Location	Harness
DS011	Pre-tensioner-Driver	Black	4	Beneath driver seat	SEAT DRIVER RHD
DS011	Pre-tensioner-Driver	Black	4	Beneath driver seat	SEAT DRIVER LHD
DS014	Sensor-Driver-seat track	Light grey	2	Beneath driver seat	SEAT DRIVER RHD
DS014	Sensor-Driver-seat track	Light grey	2	Beneath driver seat	SEAT DRIVER LHD
DS015	Driver seat module	Light grey	26	Beneath driver seat	SEAT DRIVER RHD
DS015	Driver seat module	Light grey	26	Beneath driver seat	SEAT DRIVER LHD
DS016	Driver seat module	Light grey	16	Beneath driver seat	SEAT DRIVER RHD
DS016	Driver seat module	Light grey	16	Beneath driver seat	SEAT DRIVER LHD
DS017	Driver seat module	Light grey	12	Beneath driver seat	SEAT DRIVER RHD
DS017	Driver seat module	Light grey	12	Beneath driver seat	SEAT DRIVER LHD
DS018	Driver seat module	Black	14	Beneath driver seat	SEAT DRIVER RHD
DS018	Driver seat module	Black	14	Beneath driver seat	SEAT DRIVER LHD
DS025	Main harness to driver seat harness	Grey	4	Beneath driver seat	CABIN RH
DS025	Main harness to driver seat harness	Grey	4	Beneath driver seat	CABIN LH
DS025	Driver seat harness to main harness	Grey	4	Beneath driver seat	SEAT DRIVER RHD
DS025	Driver seat harness to main harness	Grey	4	Beneath driver seat	SEAT DRIVER LHD
DS027	Main harness to driver seat harness	Light grey	4	Beneath driver seat	CABIN RH
DS027	Main harness to driver seat harness	Light grey	4	Beneath driver seat	CABIN LH
DS027	Driver seat harness to main harness	Light grey	4	Beneath driver seat	SEAT DRIVER RHD
DS027	Driver seat harness to main harness	Light grey	4	Beneath driver seat	SEAT DRIVER LHD
DS037	Sensor-Driver-seat track	Light grey	2	Behind driver seat backrest	SEAT DRIVER RHD
DS037	Sensor-Driver-seat track	Light grey	2	Behind driver seat backrest	SEAT DRIVER LHD
DS039	Service connector-driver seat	Light grey	4	Outer edge of seat	SEAT DRIVER RHD
DS039	Service connector-driver seat	Light grey	4	Outer edge of seat	SEAT DRIVER LHD
DS040	Service connector-driver seat	Light grey	4	Outer edge of seat	SEAT DRIVER RHD
DS040	Service connector-driver seat	Light grey	4	Outer edge of seat	SEAT DRIVER LHD
DT001	Driver door trim harness to driver door harness	Dark grey	22	Behind driver door trim panel	DRIVER DOOR TRIM
DT001	Driver door harness to driver door trim harness	Dark grey	22	Behind driver door trim panel	DRIVER DOOR
DT002	Front Tweeter-Driver	White	2	Behind driver door cheater panel	DRIVER DOOR TRIM
DT003	Switch-Window-mirror-Driver	Light blue	5	Behind driver door switch pack	DRIVER DOOR TRIM
DT004	Lamp-Puddle-Driver	Black	2	Behind driver door trim panel	DRIVER DOOR TRIM
DT006	Switch-Seat-Driver	Black	4	Behind driver door trim panel	DRIVER DOOR TRIM
DT008	Switch-Door-Driver	Light grey	2	Behind driver door trim panel	DRIVER DOOR TRIM
EC020	Power distribution box left harness to cooling pack harness	Black	2	Lower RH front of engine compartment	FRONT LEFT
EC021	Power distribution box left harness to cooling pack harness	Black	2	Lower RH front of engine compartment	FRONT LEFT
FB001	Front bumper harness to power distribution box left harness	Black	12	Behind LH front wheel arch liner	BUMPER FRONT

Connector	Description	Color	Cav	Location	Harness
FB001	Power distribution box left harness to front bumper harness	Black	12	Behind LH front wheel arch liner	FRONT LEFT
FB003	Parking aid sensor-Outer-Front-LH	Black	3	Behind LH side of front bumper	BUMPER FRONT
FB004	Lamp-Fog-Front-LH	Black	2	Behind LH front wheel arch liner	BUMPER FRONT
FB005	Parking aid sensor-Inner-Front-LH	Black	3	Behind LH side of front bumper	BUMPER FRONT
FB006	Parking aid sensor-Inner-Front-RH	Black	3	Behind RH side of front bumper	BUMPER FRONT
FB007	Lamp-Fog-Front-RH	Black	2	Behind RH side of front bumper	BUMPER FRONT
FB008	Parking aid sensor-Outer-Front-RH	Black	3	Behind RH side of front bumper	BUMPER FRONT
FB011	Front bumper harness to power distribution box left harness	Dark grey	8	Behind LH front wheel arch liner	BUMPER FRONT
FB011	Power distribution box left harness to front bumper harness	Dark grey	8	Behind LH front wheel arch liner	FRONT LEFT
FB012	Initiator-Front-RH	Grey	2	Behind RH front wheel arch liner	BUMPER FRONT
FB013	Initiator-Front-LH	Grey	2	Behind LH front wheel arch liner	BUMPER FRONT
FB014	Lamp-Fog-Front-LH	Black	2	Behind LH side of front bumper	BUMPER FRONT
FB015	Lamp-Fog-Front-RH	Black	2	Behind RH side of front bumper	BUMPER FRONT
FL002	Power distribution box left harness to main harness	Dark grey	22	Base of LH 'A' post	FRONT LEFT
FL002	Main harness to power distribution box left harness	Dark grey	22	Base of LH 'A' post	CABIN RH
FL002	Main harness to power distribution box left harness	Dark grey	22	Base of LH 'A' post	CABIN LH
FL005	Speed control sensor	Black	5	Behind center of bumper	FRONT LEFT
FL012	ABS module	Black	47	Behind LH front wheel arch liner	FRONT LEFT
FL019	Motor-Wiper-Windscreen	Light grey	5	Rear of engine compartment	FRONT LEFT
FL022	Switch-Brake-fluid level	Black	2	Rear of engine compartment	FRONT LEFT
FL024	Lamp-Side repeater-Front-LH	Black	2	On the side of the front fender	FRONT LEFT
FL025	Solenoid-Damper-Front-LH	Black	2	Under bonnet, LH suspension turret	FRONT LEFT
FL028	Wheel speed Sensor-Front-LH	Black	2	Behind LH front wheel arch liner	FRONT LEFT
FL029	Hood ajar switch	Black	2	Rear LH side of engine compartment	FRONT LEFT
FL030	Headlamp-LH	Black	16	Behind LH headlamp	FRONT LEFT
FL031	Horn (s)	Black	2	In front of radiator	FRONT LEFT
FL034	Distribution box-Power	Dark grey	4	Under bonnet, LH suspension turret	FRONT LEFT
FL035	Distribution box-Power	Dark grey	4	Under bonnet, LH suspension turret	FRONT LEFT
FL036	Distribution box-Power	Brown	8	Under bonnet, LH suspension turret	FRONT LEFT
FL037	Distribution box-Power	Light grey	4	Under bonnet, LH suspension turret	FRONT LEFT
FL038	Distribution box-Power	Black	8	Under bonnet, LH suspension turret	FRONT LEFT
FL039	Distribution box-Power	Dark grey	12	Under bonnet, LH suspension turret	FRONT LEFT
FL040	Distribution box-Power	Black	4	Under bonnet, LH suspension turret	FRONT LEFT
FL041	Distribution box-Power	Black	8	Under bonnet, LH suspension turret	FRONT LEFT
FL042	Distribution box-Power	Dark grey	8	Under bonnet, LH suspension turret	FRONT LEFT

Connector	Description	Color	Cav	Location	Harness
FL043	Distribution box-Power	Black	10	Under bonnet, LH suspension turret	FRONT LEFT
FL044	Distribution box-Power		1	Under bonnet, LH suspension turret	FRONT LEFT
FL045	Distribution box-Power		1	Under bonnet, LH suspension turret	FRONT LEFT
FL046	Power steering solenoid	Natural	2	Lower LH rear of engine compartment	FRONT LEFT
FL048	Junction box-Central	Green	14	Base of LH 'A' post	FRONT LEFT
FL049	Junction box-Central	Light grey	3	Base of LH 'A' post	FRONT LEFT
FL050	Junction box-Central	Blue	14	Base of LH 'A' post	FRONT LEFT
FL051	Junction box-Central		1	Base of LH 'A' post	FRONT LEFT
FL052	Pedestrian protection module	Black	20	Behind LH front wheel arch liner	FRONT LEFT
FL055	Pedestrian protection accelerometer - LH	Black	2	Behind LH side of front bumper	FRONT LEFT
FL056	Pedestrian protection accelerometer-RH	Black	2	Behind RH side of front bumper	FRONT LEFT
FL057	Actuator-Hood latch-LH	Yellow	2	Rear LH side of engine compartment	FRONT LEFT
FL067	Parking aid module	White	12	Base of LH 'A' post	FRONT LEFT
FL070	Power distribution box left harness to main harness	Natural	22	Base of LH 'A' post	FRONT LEFT
FL070	Main harness to power distribution box left harness	Natural	22	Base of LH 'A' post	CABIN RH
FL070	Main harness to power distribution box left harness	Natural	22	Base of LH 'A' post	CABIN LH
FL071	Power distribution box left harness to main harness	Grey	13	Base of LH 'A' post	FRONT LEFT
FL071	Main harness to power distribution box left harness	Grey	13	Base of LH 'A' post	CABIN RH
FL071	Main harness to power distribution box left harness	Grey	13	Base of LH 'A' post	CABIN LH
FL072	Engine control-module (ECM)	Black	58	Rear LH side of engine compartment	FRONT LEFT
FL077	Actuator-Hood latch-LH	Natural	2	Rear LH side of engine compartment	FRONT LEFT
FL079	Sensor-Pedestrian impact	Black	4	Behind RH side of front bumper	FRONT LEFT
FL080	Sensor-DSC	Black	4	Rear LH side of engine compartment	FRONT LEFT
FL081	Junction box-Central	Black	16	Base of LH 'A' post	FRONT LEFT
FL100	Power distribution box right harness to left harness	Dark grey	8	Behind RH side of front bumper	FRONT RIGHT
FL100	Power distribution box left harness to right harness	Dark grey	8	Behind RH side of front bumper	FRONT LEFT
FL101	Power distribution box right harness to left harness	Black	12	Behind LH side of front bumper	FRONT RIGHT
FL101	Power distribution box left harness to right harness	Black	12	Behind LH side of front bumper	FRONT LEFT
FL102	Power distribution box right harness to left harness	Yellow	4	Behind RH side of front bumper	FRONT RIGHT
FL102	Power distribution box left harness to right harness	Yellow	4	Behind RH side of front bumper	FRONT LEFT
FL103	Motor-Wiper-Windscreen	Light grey	5	Rear of engine compartment	FRONT LEFT
FL104	Sensor-Mass air-flow (MAF) - PV8NA	Black	5	Behind LH front wheel arch liner	FRONT LEFT
FL106	ABS module	Black	47	Behind LH front wheel arch liner	FRONT LEFT
FR001	Power distribution box right harness to main harness	Natural	22	Base of RH 'A' post	FRONT RIGHT
FR001	Main harness to power distribution box right harness	Natural	22	Base of RH 'A' post	CABIN RH
FR001	Main harness to power distribution box right harness	Natural	22	Base of RH 'A' post	CABIN LH

Connector	Description	Color	Cav	Location	Harness
FR003	Sensor-Ambient air-temperature	Black	2	Behind RH side of front bumper	FRONT RIGHT
FR004	Sensor-Front impact-RH side	Black	2	Behind radiator RH side	FRONT RIGHT
FR006	Pollution sensor	Black	6	Behind RH side of front bumper	FRONT RIGHT
FR007	Sensor-Pressure-Air Conditioning	Black	3	Behind radiator LH side	FRONT RIGHT
FR008	Headlamp-RH	Black	16	Behind RH headlamp	FRONT RIGHT
FR009	Pump-Washer-Windscreen	Black	2	Behind RH front wheel arch liner	FRONT RIGHT
FR010	Sensor-Low washer-fluid level	Black	2	Behind RH front wheel arch liner	FRONT RIGHT
FR011	Pump-Power wash	Dark grey	2	Behind RH front wheel arch liner	FRONT RIGHT
FR014	Wheel speed Sensor-Front-RH	Black	2	Behind RH front wheel arch liner	FRONT RIGHT
FR015	Solenoid-Damper-Front-RH	Black	2	Under bonnet, RH suspension turret	FRONT RIGHT
FR016	Accelerometer-Front	Dark grey	3	Behind RH front wheel arch liner	FRONT RIGHT
FR017	Lamp-Side repeater-Front-RH	Black	2	On the side of the front fender	FRONT RIGHT
FR022	Switch-Brake-fluid level	Black	2	Rear of engine compartment	FRONT RIGHT
FR046	Power steering solenoid	Natural	2	Lower RH rear of engine compartment	FRONT RIGHT
FR047	Sensor-Front impact-LH side	Black	2	Behind radiator LH side	FRONT RIGHT
FR053	Secondary Air Injection (SAI) pump	Dark grey	2	Behind RH side of front bumper	FRONT RIGHT
FR058	Actuator-Hood latch-RH	Yellow	2	Rear RH side of engine compartment	FRONT RIGHT
FR059	Sensor-Height-Front	Black	6	Lower RH front of engine compartment	FRONT RIGHT
FR060	Module-Headlamp control	Black	26	Base of RH 'A' post	FRONT RIGHT
FR068	Power distribution box right harness to main harness	Green	16	Base of RH 'A' post	FRONT RIGHT
FR068	Main harness to power distribution box right harness	Green	16	Base of RH 'A' post	CABIN RH
FR068	Main harness to power distribution box right harness	Green	16	Base of RH 'A' post	CABIN LH
FR069	Power distribution box right harness to main harness	Grey	2	Base of RH 'A' post	FRONT RIGHT
FR069	Main harness to power distribution box right harness	Light grey	2	Base of RH 'A' post	CABIN RH
FR069	Main harness to power distribution box right harness	Light grey	2	Base of RH 'A' post	CABIN LH
FR078	Actuator-Hood latch-RH	Natural	2	Rear RH side of engine compartment	FRONT RIGHT
FR080	Sensor-DSC	Black	4	Rear RH side of engine compartment	FRONT RIGHT
FR081	Sensor-MAP-Secondary air injection (SAI)	Black	3	RH side of engine compartment	FRONT RIGHT
FR105	Module-Headlamp control	Black	26	Base of RH 'A' post	FRONT RIGHT
FR107	Pollution sensor	Black	6	In front of the radiator	FRONT RIGHT
G01AL	Ground point		1	Front LH side of engine compartment	FRONT LEFT
G01BL	Ground point		1	Front LH side of engine compartment	FRONT LEFT
G01BR	Ground point		1	Front LH side of engine compartment	FRONT LEFT
G02AL	Ground point		1	Front RH side of engine compartment	FRONT RIGHT
G02AR	Ground point		1	Front RH side of engine compartment	FRONT RIGHT

Connector	Description	Color	Cav	Location	Harness
G02BL	Ground point		1	Front RH side of engine compartment	FRONT RIGHT
G02BR	Ground point		1	Front RH side of engine compartment	FRONT RIGHT
G03AL	Ground point		1	Rear LH side of engine compartment	FRONT LEFT
G03AR	Ground point		1	Rear LH side of engine compartment	FRONT LEFT
G03BL	Ground point		1	Rear LH side of engine compartment	FRONT LEFT
G03BR	Ground point		1	Rear LH side of engine compartment	FRONT LEFT
G05AS	Ground point		1	Luggage compartment - LH side	BATTERY NEGATIVE
G06AR	Ground point		1	Lower RH front of engine compartment	FRONT RIGHT
G06BL	Ground point		1	Lower RH front of engine compartment	FRONT RIGHT
G06BR	Ground point		1	Lower RH front of engine compartment	FRONT RIGHT
G07AL	Ground point		1	Rear LH side of engine compartment	FRONT LEFT
G07AR	Ground point		1	Rear LH side of engine compartment	FRONT LEFT
G09AL	Ground point		1	Base of LH 'A' post	CABIN RH
G09AL	Ground point		1	Base of LH 'A' post	CABIN LH
G09AR	Ground point		1	Base of LH 'A' post	CABIN RH
G09AR	Ground point		1	Base of LH 'A' post	CABIN LH
G09BL	Ground point		1	Base of LH 'A' post	CABIN RH
G09BL	Ground point		1	Base of LH 'A' post	CABIN LH
G09BR	Ground point		1	Base of LH 'A' post	CABIN RH
G09BR	Ground point		1	Base of LH 'A' post	CABIN LH
G10AL	Ground point		1	Base of RH 'A' post	CABIN RH
G10AL	Ground point		1	Base of RH 'A' post	CABIN RH
G10AR	Ground point		1	Base of RH 'A' post	CABIN RH
G10AR	Ground point		1	Base of RH 'A' post	CABIN LH
G10BL	Ground point		1	Base of RH 'A' post	CABIN RH
G10BL	Ground point		1	Base of RH 'A' post	CABIN LH
G10BR	Ground point		1	Base of RH 'A' post	CABIN RH
G10BR	Ground point		1	Base of RH 'A' post	CABIN LH
G11AL	Ground point		1	Behind LH side of Instrument panel	INSTRUMENT PANEL
G11AR	Ground point		1	Behind LH side of Instrument panel	INSTRUMENT PANEL
G12AL	Ground point		1	Behind instrument cluster	INSTRUMENT PANEL
G12AR	Ground point		1	Behind instrument cluster	INSTRUMENT PANEL
G12BL	Ground point		1	Behind instrument cluster	INSTRUMENT PANEL
G12BR	Ground point		1	Behind instrument cluster	INSTRUMENT PANEL
G13AL	Ground point		1	Beneath center console	INSTRUMENT PANEL
G13AL	Ground point		1	Beneath center console	INSTRUMENT PANEL

Connector	Description	Color	Cav	Location	Harness
G14AL	Ground point		1	Beneath center console	INSTRUMENT PANEL
G14AL	Ground point		1	Beneath center console	INSTRUMENT PANEL
G14AR	Ground point		1	Beneath center console	INSTRUMENT PANEL
G14AR	Ground point		1	Beneath center console	INSTRUMENT PANEL
G14BL	Ground point		1	Beneath center console	CABIN RH
G14BL	Ground point		1	Beneath center console	CABIN LH
G14BR	Ground point		1	Beneath center console	CABIN RH
G14BR	Ground point		1	Beneath center console	CABIN LH
G15AL	Ground point		1	Beneath LH Front seat	CABIN RH
G15AL	Ground point		1	Beneath LH Front seat	CABIN LH
G15AR	Ground point		1	Beneath LH Front seat	CABIN RH
G15AR	Ground point		1	Beneath LH Front seat	CABIN LH
G16AL	Ground point		1	Beneath RH Front seat	CABIN RH
G16AL	Ground point		1	Beneath RH Front seat	CABIN LH
G16AR	Ground point		1	Beneath RH Front seat	CABIN RH
G16AR	Ground point		1	Beneath RH Front seat	CABIN LH
G19AL	Ground point		1	Behind rear seat backrest	CABIN RH
G19AL	Ground point		1	Behind rear seat backrest	CABIN LH
G19AR	Ground point		1	Behind rear seat backrest	CABIN RH
G19AR	Ground point		1	Behind rear seat backrest	CABIN LH
G19BL	Ground point		1	Behind rear seat backrest	CABIN RH
G19BL	Ground point		1	Behind rear seat backrest	CABIN LH
G19BR	Ground point		1	Behind rear seat backrest	CABIN LH
G19BR	Ground point		1	Behind rear seat backrest	CABIN LH
G20AL	Ground point		1	Beneath rear seat	TELEMATICS
G20AR	Ground point		1	Beneath rear seat	TELEMATICS
G21AS	Ground point		1	Behind rear seat backrest	CABIN RH
G21AS	Ground point		1	Behind rear seat backrest	CABIN LH
G22AL	Ground point		1	Luggage compartment - LH side	CABIN RH
G22AL	Ground point		1	Luggage compartment - LH side	CABIN LH
G22AR	Ground point		1	Luggage compartment - LH side	CABIN RH
G22AR	Ground point		1	Luggage compartment - LH side	CABIN LH
G23AS	Ground point		1	Luggage compartment - RH side	TELEMATICS
G23BL	Ground point		1	Luggage compartment - RH side	TRUNKLID
G24AL	Ground point		1	Luggage compartment - LH side	CABIN RH

Connector	Description	Color	Cav	Location	Harness
G24AL	Ground point		1	Luggage compartment - LH side	CABIN LH
G24AR	Ground point		1	Luggage compartment - LH side	CABIN RH
G24AR	Ground point		1	Luggage compartment - LH side	CABIN LH
G24BL	Ground point		1	Luggage compartment - LH side	CABIN RH
G24BL	Ground point		1	Luggage compartment - LH side	CABIN LH
G24BR	Ground point		1	Luggage compartment - LH side	CABIN RH
G24BR	Ground point		1	Luggage compartment - LH side	CABIN LH
G25AL	Ground point		1	Luggage compartment - RH side	CABIN RH
G25AL	Ground point		1	Luggage compartment - RH side	CABIN LH
G25AR	Ground point		1	Luggage compartment - RH side	CABIN RH
G25AR	Ground point		1	Luggage compartment - RH side	CABIN LH
G28AL	Ground point		1	Beneath center console	INSTRUMENT PANEL
G28AL	Ground point		1	Beneath center console	INSTRUMENT PANEL
G28AR	Ground point		1	Beneath center console	INSTRUMENT PANEL
G28AR	Ground point		1	Beneath center console	INSTRUMENT PANEL
G28BL	Ground point		1	Beneath center console	INSTRUMENT PANEL
G28BL	Ground point		1	Beneath center console	INSTRUMENT PANEL
G28BR	Ground point		1	Beneath center console	INSTRUMENT PANEL
G28BR	Ground point		1	Beneath center console	INSTRUMENT PANEL
G30AL	Ground point		1	RH 'A' post	CABIN RH
G30AL	Ground point		1	RH 'A' post	CABIN LH
G30AR	Ground point		1	RH 'A' post	CABIN RH
G30AR	Ground point		1	RH 'A' post	CABIN LH
G30BR	Ground point		1	RH 'A' post	FRONT RIGHT
G40AL	Ground point		1	Behind instrument cluster	INSTRUMENT PANEL
G40AR	Ground point		1	Behind instrument cluster	INSTRUMENT PANEL
G41AL	Ground point		1	Behind instrument cluster	INSTRUMENT PANEL
G41AR	Ground point		1	Behind instrument cluster	INSTRUMENT PANEL
G42AL	Ground point		1	Under LH side of Instrument panel	INSTRUMENT PANEL
G43AL	Ground point		1	Behind glove compartment	INSTRUMENT PANEL
G44AL	Ground point		1	Behind rear seat backrest	CABIN RH
G44AL	Ground point		1	Behind rear seat backrest	CABIN LH
G45AS	Ground point		1	Body-RH-side of fuel tank	CABIN RH
G45AS	Ground point		1	Body-RH-side of fuel tank	CABIN LH
G50AS	Ground point		1	Luggage compartment lid	TRUNKLID
G51AS	Ground point		1	Luggage compartment - RH side	TRUNKLID

Connector	Description	Color	Cav	Location	Harness
GB002	Module-Transmission-control	Black	16	RH side of gearbox	ENGINE PETROL V8 N/A
GB002	Module-Transmission-control	Black	16	RH side of gearbox	ENGINE PETROL V8 S/C
IP001	Main harness to instrument panel harness	Dark grey	22	Behind RH side of Instrument panel	CABIN RH
IP001	Main harness to instrument panel harness	Dark grey	22	Behind RH side of Instrument panel	CABIN LH
IP001	Instrument panel harness to main harness	Dark grey	22	Behind RH side of Instrument panel	INSTRUMENT PANEL
IP001	Instrument panel harness to main harness	Dark grey	22	Behind RH side of Instrument panel	INSTRUMENT PANEL
IP002	Main harness to instrument panel harness	Green	22	Behind LH side of Instrument panel	CABIN RH
IP002	Main harness to instrument panel harness	Green	22	Behind LH side of Instrument panel	CABIN LH
IP002	Instrument panel harness to main harness	Green	22	Behind LH side of Instrument panel	INSTRUMENT PANEL
IP002	Instrument panel harness to main harness	Green	22	Behind LH side of Instrument panel	INSTRUMENT PANEL
IP003	Power distribution box right harness to instrument panel harness	Light grey	10	Base of RH 'A' post	FRONT RIGHT
IP003	Instrument panel harness to power distribution box right harness	Light grey	10	Base of RH 'A' post	INSTRUMENT PANEL
IP003	Instrument panel harness to power distribution box right harness	Light grey	10	Base of RH 'A' post	INSTRUMENT PANEL
IP004	Power distribution box left harness to instrument panel harness	Light grey	4	Base of LH 'A' post	FRONT LEFT
IP004	Instrument panel harness to power distribution box left harness	Light grey	4	Base of LH 'A' post	INSTRUMENT PANEL
IP004	Instrument panel harness to power distribution box left harness	Light grey	4	Base of LH 'A' post	INSTRUMENT PANEL
IP009	Socket-Accessory-Front	Natural	3	Behind glove compartment	INSTRUMENT PANEL
IP009	Socket-Accessory-Front	Natural	3	Behind glove compartment	INSTRUMENT PANEL
IP010	Switch-Glove-compartment	Black	2	Behind LH side of Instrument panel	INSTRUMENT PANEL
IP010	Switch-Glove-compartment	Black	2	Behind RH side of Instrument panel	INSTRUMENT PANEL
IP011	Lamp-Glove compartment	Black	2	Behind glove compartment	INSTRUMENT PANEL
IP011	Lamp-Glove compartment	Black	2	Behind glove compartment	INSTRUMENT PANEL
IP012	Air bag-Passenger		1	Behind passenger side of Instrument panel	INSTRUMENT PANEL
IP012	Air bag-Passenger	Yellow	2	Behind passenger side of Instrument panel	INSTRUMENT PANEL
IP013	Air bag-Passenger		1	Behind passenger side of Instrument panel	INSTRUMENT PANEL
IP013	Air bag-Passenger		1	Behind passenger side of Instrument panel	INSTRUMENT PANEL
IP019	Diagnostic Connector	Black	16	Adjacent steering column	INSTRUMENT PANEL
IP019	Diagnostic Connector	Black	16	Adjacent steering column	INSTRUMENT PANEL
IP020	Sensor-Sunlight	Black	6	Instrument panel-center-top	INSTRUMENT PANEL
IP020	Sensor-Sunlight	Black	6	Instrument panel-center-top	INSTRUMENT PANEL
IP026	Restraints Control Module (RCM)	Black	24	In rear of center console	INSTRUMENT PANEL
IP026	Restraints Control Module (RCM)	Black	24	In rear of center console	INSTRUMENT PANEL
IP027	Selector-Automatic transmission	Green	16	Beneath center console LH side	INSTRUMENT PANEL
IP027	Selector-Automatic transmission	Green	16	Beneath center console LH side	INSTRUMENT PANEL
IP028	Sensor-Yaw Rate	Black	6	Beneath center console	INSTRUMENT PANEL

Connector	Description	Color	Cav	Location	Harness
IP028	Sensor-Yaw Rate	Black	6	Beneath center console	INSTRUMENT PANEL
IP029	Switch-Pedal-column adjust	Black	8	Adjacent steering column	INSTRUMENT PANEL
IP029	Switch-Pedal-column adjust	Black	8	Adjacent steering column	INSTRUMENT PANEL
IP031	Instrument cluster	Black	32	Behind instrument cluster	INSTRUMENT PANEL
IP031	Instrument cluster	Black	32	Behind instrument cluster	INSTRUMENT PANEL
IP032	Instrument cluster	Black	32	Behind instrument cluster	INSTRUMENT PANEL
IP032	Instrument cluster	Black	32	Behind instrument cluster	INSTRUMENT PANEL
IP035	Unit-Steering column	Black	10	Adjacent steering column	INSTRUMENT PANEL
IP035	Unit-Steering column	Black	10	Adjacent steering column	INSTRUMENT PANEL
IP036	Sensor-Temperature-In-car	Grey	6	Adjacent instrument pack	INSTRUMENT PANEL
IP036	Sensor-Temperature-In-car	Grey	6	Adjacent instrument pack	INSTRUMENT PANEL
IP038	Sensor-Steering-angle	Grey	4	Adjacent steering column	INSTRUMENT PANEL
IP038	Sensor-Steering-angle	Grey	4	Adjacent steering column	INSTRUMENT PANEL
IP039	ECU-Steering-Lock	Black	4	Adjacent steering column	INSTRUMENT PANEL
IP039	ECU-Steering-Lock	Black	4	Adjacent steering column	INSTRUMENT PANEL
IP040	Switch-Steering column-Wiper	Black	6	Underside of steering column	INSTRUMENT PANEL
IP040	Switch-Steering column-Wiper	Black	6	Underside of steering column	INSTRUMENT PANEL
IP041	Switch-Steering column-Lighting	Black	6	Underside of steering column	INSTRUMENT PANEL
IP041	Switch-Steering column-Lighting	Black	6	Underside of steering column	INSTRUMENT PANEL
IP042	Clock spring	Natural	10	In center of steering wheel	INSTRUMENT PANEL
IP042	Clock spring	Natural	10	In center of steering wheel	INSTRUMENT PANEL
IP043	Slip rings-Steering wheel	Light grey	2	Adjacent steering column	INSTRUMENT PANEL
IP043	Slip rings-Steering wheel	Light grey	2	Adjacent steering column	INSTRUMENT PANEL
IP045	Lighting control switch	Black	12	Adjacent steering column	INSTRUMENT PANEL
IP045	Lighting control switch	Black	12	Adjacent steering column	INSTRUMENT PANEL
IP052	Main harness to instrument panel harness	Grey	13	Behind RH side of Instrument panel	CABIN RH
IP052	Instrument panel harness to main harness	Grey	13	Behind RH side of Instrument panel	INSTRUMENT PANEL
IP052	Instrument panel harness to main harness	Grey	13	Behind RH side of Instrument panel	INSTRUMENT PANEL
IP052	Main harness to instrument panel harness	Grey	13	Behind RH side of Instrument panel	CABIN LH
IP053	Main harness to instrument panel harness	Light grey	14	Behind LH side of Instrument panel	CABIN RH
IP053	Main harness to instrument panel harness	Light grey	14	Behind LH side of Instrument panel	CABIN LH
IP053	Instrument panel harness to main harness	Light grey	14	Behind LH side of Instrument panel	INSTRUMENT PANEL
IP053	Instrument panel harness to main harness	Light grey	14	Behind LH side of Instrument panel	INSTRUMENT PANEL
IP054	Power distribution box left harness to instrument panel harness	Natural	22	Base of LH 'A' post	FRONT LEFT
IP054	Instrument panel harness to power distribution box left harness	Natural	22	Base of LH 'A' post	INSTRUMENT PANEL
IP054	Instrument panel harness to power distribution box left harness	Natural	22	Base of LH 'A' post	INSTRUMENT PANEL

Connector	Description	Color	Cav	Location	Harness
IP055	Center speaker	White	2	Instrument panel-center-top	INSTRUMENT PANEL
IP055	Center speaker	White	2	Instrument panel-center-top	INSTRUMENT PANEL
IP057	Head Unit-Audio-System	Light grey	14	Behind center of Instrument panel	INSTRUMENT PANEL
IP057	Head Unit-Audio-System	Light grey	14	Behind center of Instrument panel	INSTRUMENT PANEL
IP058	Head Unit-Audio-System	Light grey	12	Behind center of Instrument panel	INSTRUMENT PANEL
IP058	Head Unit-Audio-System	Light grey	12	Behind center of Instrument panel	INSTRUMENT PANEL
IP059	Head Unit-Audio-System	Black	2	Behind center of Instrument panel	INSTRUMENT PANEL
IP059	Head Unit-Audio-System	Black	2	Behind center of Instrument panel	INSTRUMENT PANEL
IP060	Head Unit-Audio-System		1	Behind center of Instrument panel	INSTRUMENT PANEL
IP060	Head Unit-Audio-System		1	Behind center of Instrument panel	INSTRUMENT PANEL
IP061	Integrated control panel	Black	10	Behind center of Instrument panel	INSTRUMENT PANEL
IP061	Integrated control panel	Black	10	Behind center of Instrument panel	INSTRUMENT PANEL
IP063	Touch screen display	Grey	12	Behind center of Instrument panel	INSTRUMENT PANEL
IP063	Touch screen display	Grey	12	Behind center of Instrument panel	INSTRUMENT PANEL
IP064	Touch screen display		1	Behind center of Instrument panel	INSTRUMENT PANEL
IP064	Touch screen display		1	Behind center of Instrument panel	INSTRUMENT PANEL
IP065	Touch screen display	Black	2	Behind center of Instrument panel	INSTRUMENT PANEL
IP065	Touch screen display	Black	2	Behind center of Instrument panel	INSTRUMENT PANEL
IP075	Antenna-LF-Cabin-Front	Grey	4	Instrument panel-Center	INSTRUMENT PANEL
IP075	Antenna-LF-Cabin-Front	Grey	4	Instrument panel-Center	INSTRUMENT PANEL
IP087	Information and entertainment control module	Green	10	Behind center of Instrument panel	INSTRUMENT PANEL
IP087	Information and entertainment control module	Green	10	Behind center of Instrument panel	INSTRUMENT PANEL
IP088	Information and entertainment control module	Black	2	Behind center of Instrument panel	INSTRUMENT PANEL
IP088	Information and entertainment control module	Black	2	Behind center of Instrument panel	INSTRUMENT PANEL
IP090	Connector-MOST diagnostic	Black	2	Adjacent steering column	INSTRUMENT PANEL
IP090	Connector-MOST diagnostic	Black	2	Adjacent steering column	INSTRUMENT PANEL
IS005	Engine harness to injector harness	Black	6	Top of engine	ENGINE PETROL V8 S/C
IS006	Engine harness to injector harness	Black	6	Rear LH side of engine	ENGINE PETROL V8 S/C
LW002	Wheel speed sensor-LH rear	Black	2	Beneath rear of vehicle LH side	ABS REAR
PD001	Main harness to passenger door harness	Dark grey	22	Passenger 'A' post	CABIN RH
PD001	Main harness to passenger door harness	Dark grey	22	Passenger 'A' post	CABIN LH
PD001	Passenger door harness to main harness	Dark grey	22	Passenger 'A' post	PASSENGER DOOR
PD002	Mirror-Door-Passenger side	Grey	10	Behind passenger door trim panel	PASSENGER DOOR
PD003	Module-Passenger-door	Grey	22	Behind passenger door trim panel	PASSENGER DOOR
PD004	Front Speaker-Passenger	White	2	Behind passenger door trim panel	PASSENGER DOOR

Connector	Description	Color	Cav	Location	Harness
PD005	Switch-Door-Passenger	Black	10	Behind passenger door trim panel	PASSENGER DOOR
PD008	Module-Door latch-Passenger	Black	4	Behind passenger door trim panel	PASSENGER DOOR
PD009	Module-Door handle-Passenger	Black	6	Behind passenger door trim panel	PASSENGER DOOR
PD013	Mirror-Door-Passenger side	Grey	6	Behind passenger door switch pack	PASSENGER DOOR
PD014	Module-Door latch-Passenger	Grey	24	Behind passenger door trim panel	PASSENGER DOOR
PD015	Main harness to passenger door harness	Grey	10	Passenger 'A' post	CABIN RH
PD015	Main harness to passenger door harness	Grey	10	Passenger 'A' post	CABIN LH
PD015	Passenger door harness to main harness	Grey	10	Passenger 'A' post	PASSENGER DOOR
PD016	Motor-Window-Passenger	Black	6	Behind passenger door trim panel	PASSENGER DOOR
PH004	Sensors-Main bow	Black	3	Rear of luggage compartment - RH side	POWER HOOD
PH005	Sensors-Main bow	Black	3	Rear of luggage compartment - RH side	POWER HOOD
PH006	Sensor-Pump temperature	Black	2	Luggage compartment - RH side	POWER HOOD
PH008	Sensors-Tension bow	Black	3	Rear of luggage compartment - RH side	POWER HOOD
PH009	Valve block	Black	2	Luggage compartment - RH side	POWER HOOD
PH010	Valve block	Black	2	Luggage compartment - RH side	POWER HOOD
PH011	Valve block	Black	2	Luggage compartment - RH side	POWER HOOD
PH012	Switch-Convertible top Compartment lid	Black	2	Luggage compartment - RH side	POWER HOOD
PH014	Sensor-Compartment lid	Black	2	Rear of luggage compartment - RH side	POWER HOOD
PI002	Ignition coil-1 - PV8SC	Black	4	Top of engine - RH side	ENGINE PETROL V8 S/C
PI002	Ignition coil-1 - PV8NA	Black	4	Top front of engine - RH side	ENGINE PETROL V8 N/A
PI003	Ignition coil-3 - PV8SC	Black	4	Top of engine - RH side	ENGINE PETROL V8 S/C
PI003	Ignition coil-3 - PV8NA	Black	4	Top front of engine - RH side	ENGINE PETROL V8 N/A
PI004	Ignition coil-5 - PV8SC	Black	4	Top of engine - RH side	ENGINE PETROL V8 S/C
PI004	Ignition coil-5 - PV8NA	Black	4	Top front of engine - RH side	ENGINE PETROL V8 N/A
PI005	Ignition coil-7 - PV8SC	Black	4	Top of engine - RH side	ENGINE PETROL V8 S/C
PI005	Ignition coil-7 - PV8NA	Black	4	Top front of engine - RH side	ENGINE PETROL V8 N/A
PI006	Ignition coil-2 - PV8SC	Black	4	Top of engine - LH side	ENGINE PETROL V8 S/C
PI006	Ignition coil-2 - PV8NA	Black	4	Top front of engine - LH side	ENGINE PETROL V8 N/A
PI007	Ignition coil-4 - PV8SC	Black	4	Top of engine - LH side	ENGINE PETROL V8 S/C
PI007	Ignition coil-4 - PV8NA	Black	4	Top front of engine - LH side	ENGINE PETROL V8 N/A
PI008	Ignition coil-6 - PV8SC	Black	4	Top of engine - LH side	ENGINE PETROL V8 S/C
PI008	Ignition coil-6 - PV8NA	Black	4	Top front of engine - LH side	ENGINE PETROL V8 N/A
PI009	Ignition coil-8 - PV8SC	Black	4	Top of engine - LH side	ENGINE PETROL V8 S/C
PI009	Ignition coil-8 - PV8NA	Black	4	Top front of engine - LH side	ENGINE PETROL V8 N/A
PI010	Sensor-Oxygen-Odd-Post catalyst - PV8SC	Dark grey	4	Rear RH side of engine	ENGINE PETROL V8 S/C
PI010	Sensor-Oxygen-Odd-Post catalyst - PV8NA	Dark grey	4	Rear RH side of engine	ENGINE PETROL V8 N/A

Connector	Description	Color	Cav	Location	Harness
PI011	Sensor-Oxygen-Odd-Pre-catalyst - PV8NA	Black	4	Rear RH side of engine	ENGINE PETROL V8 N/A
PI011	Sensor-Oxygen-Odd-Post catalyst - PV8SC	Black	4	Rear RH side of engine	ENGINE PETROL V8 S/C
PI012	Sensor-Oxygen-Even-Post catalyst - PV8NA	Dark grey	4	Rear LH side of engine	ENGINE PETROL V8 N/A
PI012	Sensor-Oxygen-Even-Post catalyst - PV8SC	Dark grey	4	Rear LH side of engine	ENGINE PETROL V8 S/C
PI013	Sensor-Oxygen-Even-Pre-catalyst - PV8SC	Black	4	Rear LH side of engine	ENGINE PETROL V8 S/C
PI013	Sensor-Oxygen-Even-Pre-catalyst - PV8NA	Black	4	Rear LH side of engine	ENGINE PETROL V8 N/A
PI014	Engine harness to link harness - PV8SC	Black	6	Top front of engine - RH side	ENGINE PETROL V8 S/C
PI015	Stepper Motor-EGR - PV8NA	Dark grey	6	Top of engine - RH side	ENGINE PETROL V8 N/A
PI015	Stepper Motor-EGR - PV8SC	Dark grey	6	Rear RH side of engine	ENGINE PETROL V8 S/C
PI016	Variable Camshaft Timing (VCT) Unit-Bank 1	Black	2	Top front of engine - RH side	ENGINE PETROL V8 S/C
PI016	Variable Camshaft Timing (VCT) Unit-Bank 1	Black	2	Top of engine - RH side	ENGINE PETROL V8 N/A
PI017	Variable Camshaft Timing (VCT) Unit-Bank 2	Black	2	Top front of engine - LH side	ENGINE PETROL V8 N/A
PI017	Variable Camshaft Timing (VCT) Unit-Bank 2	Black	2	Top front of engine - LH side	ENGINE PETROL V8 S/C
PI019	Sensor-Knock (KS) - PV8NA	Black	4	Top of engine - LH side	ENGINE PETROL V8 N/A
PI019	Sensor-Knock (KS) - PV8SC	Black	4	Top of engine	ENGINE PETROL V8 S/C
PI021	Sensor-Crankshaft-position (CKP) - PV8SC	Black	2	Lower rear of engine - LH side	ENGINE PETROL V8 S/C
PI021	Sensor-Crankshaft-position (CKP) - PV8NA	Black	2	Lower rear of engine - LH side	ENGINE PETROL V8 N/A
PI022	Sensor-Camshaft-position (CMP)-bank 2 - PV8NA	Black	2	Rear LH side of engine	ENGINE PETROL V8 N/A
PI022	Sensor-Camshaft-position (CMP)-bank 2 - PV8SC	Black	2	Rear LH side of engine	ENGINE PETROL V8 S/C
PI023	Sensor-Camshaft-position (CMP)-bank 1 - PV8NA	Black	2	Rear RH side of engine	ENGINE PETROL V8 N/A
PI023	Sensor-Camshaft-position (CMP)-bank 1 - PV8SC	Black	2	Rear LH side of engine	ENGINE PETROL V8 S/C
PI024	Sensor-Oil-temperature - PV8SC	Grey	2	Lower front of engine - RH side	ENGINE PETROL V8 S/C
PI024	Sensor-Oil-temperature - PV8NA	Grey	2	Lower front of engine - RH side	ENGINE PETROL V8 N/A
PI025	Sensor-Engine coolant-temperature (ECT) - PV8SC	Grey	2	Top front of engine - RH side	ENGINE PETROL V8 S/C
PI025	Sensor-Engine coolant-temperature (ECT) - PV8NA	Black	2	Top of engine - LH side	ENGINE PETROL V8 N/A
PI026	Throttle-Electronic	Black	6	Rear LH side of engine	ENGINE PETROL V8 S/C
PI027	Sensor-Temperature-Fuel rail - PV8NA	Grey	2	Rear RH side of engine	ENGINE PETROL V8 N/A
PI027	Sensor-Temperature-Fuel rail - PV8SC	Grey	2	Rear LH side of engine	ENGINE PETROL V8 S/C
PI028	Sensor-Fuel rail-pressure	Black	3	Top front of engine - RH side	ENGINE PETROL V8 N/A
PI028	Sensor-Fuel rail-pressure	Black	3	Top front of engine - RH side	ENGINE PETROL V8 S/C
PI029	Sensor-Temperature and Manifold-Absolute Pressure (TMAP) - PV8NA	Black	4	Center rear of engine	ENGINE PETROL V8 N/A
PI029	Sensor-Temperature and Manifold-Absolute Pressure (TMAP) - PV8SC	Black	4	Top front of engine - RH side	ENGINE PETROL V8 S/C
PI032	Fuel injector-No.1 - PV8NA	Black	2	Top front of engine - RH side	ENGINE PETROL V8 N/A
PI033	Fuel injector-No.3 - PV8NA	Black	2	Top front of engine - RH side	ENGINE PETROL V8 N/A
PI034	Fuel injector-No.5 - PV8NA	Black	2	Top front of engine - RH side	ENGINE PETROL V8 N/A

Connector	Description	Color	Cav	Location	Harness
PI035	Fuel injector-No.7 - PV8NA	Black	2	Top front of engine - RH side	ENGINE PETROL V8 N/A
PI036	Fuel injector-No.2 - PV8NA	Black	2	Top front of engine - LH side	ENGINE PETROL V8 N/A
PI037	Fuel injector-No.4 - PV8NA	Black	2	Top front of engine - LH side	ENGINE PETROL V8 N/A
PI038	Fuel injector-No.6 - PV8NA	Black	2	Top front of engine - LH side	ENGINE PETROL V8 N/A
PI039	Fuel injector-No.8 - PV8NA	Black	2	Top front of engine - LH side	ENGINE PETROL V8 N/A
PI040AL	Ground point		1	Rear LH side of engine compartment	PETROL ENGINE V8 N/A
PI041	Engine harness to engine compartment harness	Black	21	Rear LH side of engine compartment	ENGINE PETROL V8 N/A
PI041	Engine harness to engine compartment harness	Black	26	Rear LH side of engine compartment	ENGINE PETROL V8 S/C
PI041	Engine compartment harness to engine harness	Black	42	Rear LH side of engine compartment	FRONT LEFT
PI046	Switch-Oil pressure - PV8SC	Grey	1	Lower front of engine - RH side	ENGINE PETROL V8 S/C
PI046	Switch-Oil pressure - PV8NA	Grey	1	Lower front of engine - RH side	ENGINE PETROL V8 N/A
PI048	Alternator-generator - PV8SC	Black	3	Front RH side of engine	ENGINE PETROL V8 S/C
PI048	Alternator-generator - PV8NA	Black	3	Front RH side of engine	ENGINE PETROL V8 N/A
PI049	Valve-Solenoid-Refrigerant - PV8SC	Black	2	Front LH side of engine	ENGINE PETROL V8 S/C
PI049	Valve-Solenoid-Refrigerant - PV8NA	Black	2	Front LH side of engine	ENGINE PETROL V8 N/A
PI051	Ground point		1	Front of engine - center	ENGINE PETROL V8 N/A
PI051	Ground point		1	Front of engine - center	ENGINE PETROL V8 S/C
PI054	Suppressor-Ignition-coil	Black	2	Top of engine - RH side	ENGINE PETROL V8 N/A
PI054	Suppressor-Ignition-coil	Black	2	Rear LH side of engine	ENGINE PETROL V8 S/C
PI059	Capacitor-TCM	Black	2	RH side of gearbox	ENGINE PETROL V8 N/A
PI059	Capacitor-TCM		1	RH side of gearbox	ENGINE PETROL V8 S/C
PI300	Engine control-module (ECM) - PV8SC	Black	96	Rear LH side of engine compartment	ENGINE PETROL V8 S/C
PI300	Engine control-module (ECM) - PV8NA	Black	96	Rear LH side of engine compartment	ENGINE PETROL V8 N/A
PI301	Sensor-MAP-Secondary air injection (SAI)	Black	4	Rear LH side of engine	ENGINE PETROL V8 S/C
PI302	Solenoid-Vacuum (SAI)	Black	2	Front RH side of engine	ENGINE PETROL V8 S/C
PI302	Solenoid-Vacuum (SAI)	Black	2	Front of engine - center	ENGINE PETROL V8 N/A
PI303	Unit-Electric throttle	Black	6	Top front of engine - LH side	ENGINE PETROL V8 N/A
PI304	Purge control valve - PV8SC	Black	2	Top of engine - RH side	ENGINE PETROL V8 S/C
PI304	Purge control valve - PV8NA	Black	2	Top of engine - LH side	ENGINE PETROL V8 N/A
PI306	Ground point		1	Rear RH side of engine	ENGINE PETROL V8 N/A
PI306	Ground point		1	Rear RH side of engine	ENGINE PETROL V8 S/C
PL001	Lumbar harness to passenger seat harness	Grey	8	Behind passenger seat backrest	LUMBAR 2-WAY PASSENGER
PL001	Lumbar harness to passenger seat harness	Grey	8	Behind passenger seat backrest	LUMBAR 4-WAY PASSENGER
PL001	Passenger seat harness to lumbar harness	Grey	8	Behind passenger seat backrest	SEAT PASSENGER RHD
PL001	Passenger seat harness to lumbar harness	Grey	8	Behind passenger seat backrest	SEAT PASSENGER LHD
PL002	Valve block-Lumbar-Passenger	Black	6	Behind passenger seat backrest	LUMBAR 4-WAY PASSENGER

Connector	Description	Color	Cav	Location	Harness
PL003	Pump-Lumbar-Passenger	Black	3	Behind passenger seat backrest	LUMBAR 4-WAY PASSENGER
PL004	Pump-Lumbar-Passenger	Black	3	Behind passenger seat backrest	LUMBAR 2-WAY PASSENGER
PL005	Solenoid-Seat bolster-Passenger	Black	6	Behind passenger seat backrest	LUMBAR 4-WAY PASSENGER
PL006	Solenoid-Lumbar-pump	Black	3	Behind passenger seat backrest	LUMBAR 2-WAY PASSENGER
PS001	Main harness to passenger seat harness	Grey	20	Beneath front passenger seat	CABIN RH
PS001	Main harness to passenger seat harness	Grey	20	Beneath front passenger seat	CABIN LH
PS001	Passenger seat harness to main harness	Grey	20	Beneath front passenger seat	SEAT PASSENGER RHD
PS001	Passenger seat harness to main harness	Grey	20	Beneath front passenger seat	SEAT PASSENGER LHD
PS002	Heater-Seat cushion-Passenger	Black	4	Beneath front passenger seat	SEAT PASSENGER RHD
PS002	Heater-Seat cushion-Passenger	Black	4	Beneath front passenger seat	SEAT PASSENGER LHD
PS003	Heater-Seat backrest-Passenger	Black	2	Behind passenger seat backrest	SEAT PASSENGER RHD
PS003	Heater-Seat backrest-Passenger	Black	2	Behind passenger seat backrest	SEAT PASSENGER LHD
PS004	Motor-Seat-Recline-Passenger	Black	5	Beneath front passenger seat	SEAT PASSENGER RHD
PS004	Motor-Seat-Recline-Passenger	Black	5	Beneath front passenger seat	SEAT PASSENGER LHD
PS005	Passenger seat height motor	Black	4	Beneath front passenger seat	SEAT PASSENGER RHD
PS005	Passenger seat height motor	Black	4	Beneath front passenger seat	SEAT PASSENGER LHD
PS006	Motor-seat-forward rearward-passenger	Black	4	Beneath front passenger seat	SEAT DRIVER LHD
PS006	Motor-seat-forward rearward-passenger	Black	4	Beneath front passenger seat	SEAT PASSENGER RHD
PS007	Motor-Seat-Recline-Passenger	Black	5	Behind passenger seat backrest	SEAT PASSENGER RHD
PS007	Motor-Seat-Recline-Passenger	Black	5	Behind passenger seat backrest	SEAT PASSENGER LHD
PS009	Motor-seat-forward rearward-passenger	Black	5	Beneath front passenger seat	SEAT PASSENGER RHD
PS009	Motor-seat-forward rearward-passenger	Black	5	Beneath front passenger seat	SEAT PASSENGER LHD
PS010	Air bag-Side-Passenger		1	Behind passenger seat backrest	SEAT PASSENGER RHD
PS010	Air bag-Side-Passenger		1	Behind passenger seat backrest	SEAT PASSENGER LHD
PS011	Switch-Buckle-Passenger	Black	4	Beneath front passenger seat	SEAT PASSENGER RHD
PS011	Switch-Buckle-Passenger	Black	4	Beneath front passenger seat	SEAT PASSENGER LHD
PS015	Passenger seat module	Light grey	26	Beneath front passenger seat	SEAT PASSENGER RHD
PS015	Passenger seat module	Light grey	26	Beneath front passenger seat	SEAT PASSENGER LHD
PS016	Passenger seat module	Light grey	16	Beneath front passenger seat	SEAT PASSENGER RHD
PS016	Passenger seat module	Light grey	16	Beneath front passenger seat	SEAT PASSENGER LHD
PS017	Passenger seat module	Light grey	12	Beneath front passenger seat	SEAT PASSENGER RHD
PS017	Passenger seat module	Light grey	12	Beneath front passenger seat	SEAT PASSENGER LHD
PS018	Passenger seat module	Black	14	Beneath front passenger seat	SEAT PASSENGER RHD
PS018	Passenger seat module	Black	14	Beneath front passenger seat	SEAT PASSENGER LHD
PS021	Module-Seat-occupancy	Black	10	Beneath front passenger seat	SEAT PASSENGER RHD

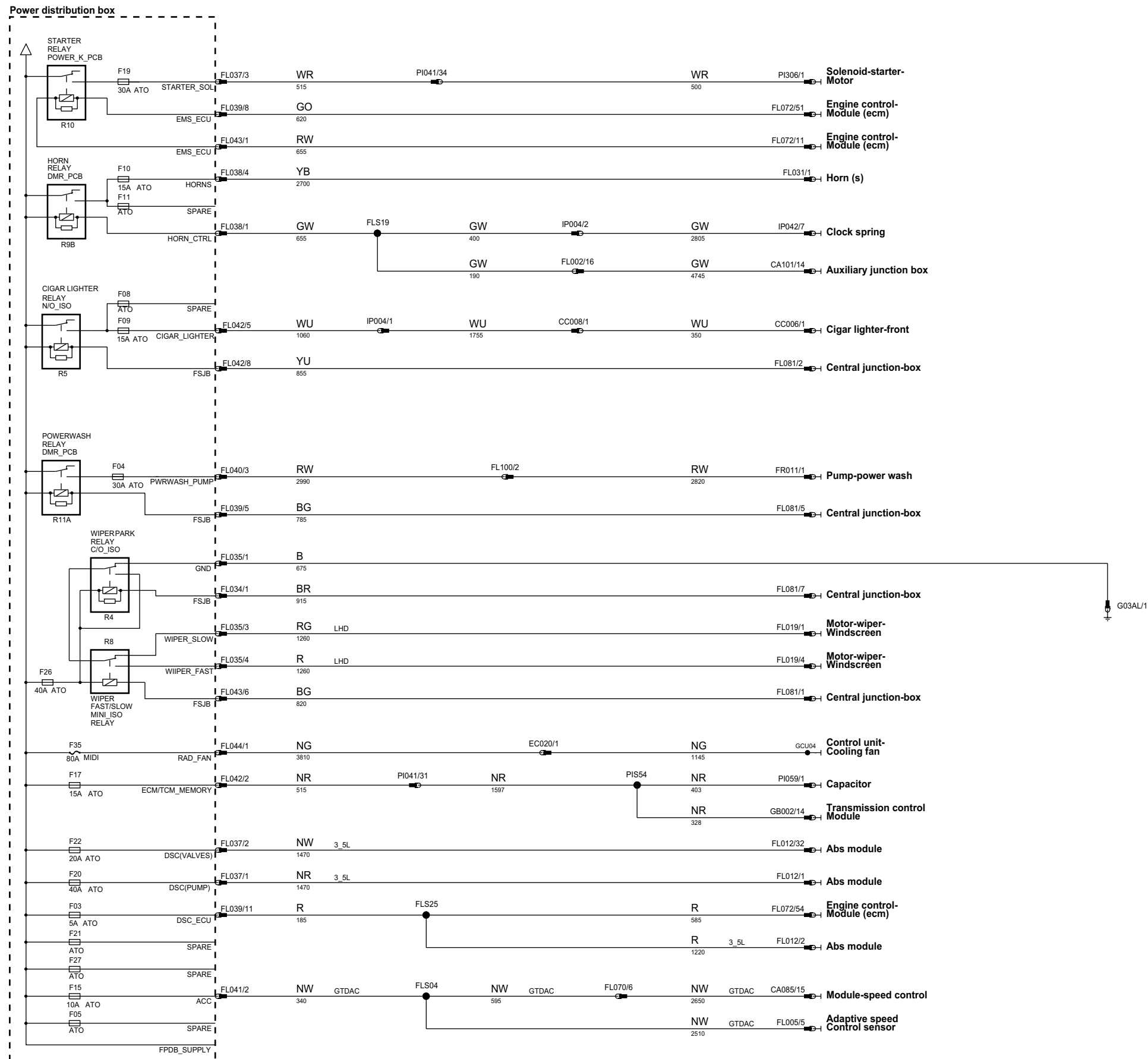
Connector	Description	Color	Cav	Location	Harness
PS021	Module-Seat-occupancy	Black	10	Beneath front passenger seat	SEAT PASSENGER LHD
PS022	Sensor-Occupancy-detection	Black	3	Beneath front passenger seat	SEAT PASSENGER RHD
PS022	Sensor-Occupancy-detection	Black	3	Beneath front passenger seat	SEAT PASSENGER LHD
PS025	Main harness to passenger seat harness	Grey	4	Beneath front passenger seat	CABIN RH
PS025	Main harness to passenger seat harness	Grey	4	Beneath front passenger seat	CABIN LH
PS025	Passenger seat harness to main harness	Grey	4	Beneath front passenger seat	SEAT PASSENGER RHD
PS025	Passenger seat harness to main harness	Grey	4	Beneath front passenger seat	SEAT PASSENGER LHD
PS027	Main harness to passenger seat harness	Light grey	4	Beneath front passenger seat	CABIN RH
PS027	Main harness to passenger seat harness	Light grey	4	Beneath front passenger seat	CABIN LH
PS027	Passenger seat harness to main harness	Light grey	4	Beneath front passenger seat	SEAT PASSENGER RHD
PS027	Passenger seat harness to main harness	Light grey	4	Beneath front passenger seat	SEAT PASSENGER LHD
PS037	Sensor-Seat position-Fore and aft	Light grey	2	Behind passenger seat backrest	SEAT PASSENGER RHD
PS037	Sensor-Seat position-Fore and aft	Light grey	2	Behind passenger seat backrest	SEAT PASSENGER LHD
PS039	Service connector-passenger seat	Light grey	4	Outer edge of seat	SEAT PASSENGER RHD
PS039	Service connector-passenger seat	Light grey	4	Outer edge of seat	SEAT PASSENGER LHD
PS040	Service connector-passenger seat	Light grey	4	Outer edge of seat	SEAT PASSENGER RHD
PS040	Service connector-passenger seat	Light grey	4	Outer edge of seat	SEAT PASSENGER LHD
PT001	Passenger door trim harness to passenger door harness	Dark grey	22	Behind passenger door trim panel	PASSENGER DOOR TRIM
PT001	Passenger door harness to passenger door trim harness	Dark grey	22	Behind passenger door trim panel	PASSENGER DOOR
PT002	Front Tweeter-Passenger	White	2	Behind passenger door cheater panel	PASSENGER DOOR TRIM
PT003	Passenger door switch pack	Light blue	5	Behind passenger door switch pack	PASSENGER DOOR TRIM
PT004	Lamp-Puddle-Front	Black	2	Behind passenger door trim panel	PASSENGER DOOR TRIM
PT006	Switch-Seat-Passenger	Black	4	Behind passenger door trim panel	PASSENGER DOOR TRIM
PT008	Switch-Door-Passenger	Light grey	2	Behind passenger door trim panel	PASSENGER DOOR TRIM
RB001	Rear bumper harness to main harness	Green	16	Luggage compartment - LH side	BUMPER REAR
RB001	Main harness to rear bumper harness	Green	16	Luggage compartment - LH side	CABIN RH
RB001	Main harness to rear bumper harness	Green	16	Luggage compartment - LH side	CABIN LH
RB003	Parking aid sensor-Outer-Rear-LH	Black	3	Behind LH side of rear bumper	BUMPER REAR
RB004	Parking aid sensor-Inner-Rear-LH	Black	3	Behind LH side of rear bumper	BUMPER REAR
RB005	Parking aid sensor-Inner-Rear-RH	Black	3	Behind RH side of rear bumper	BUMPER REAR
RB006	Parking aid sensor-Outer-Rear-RH	Black	3	Behind RH side of rear bumper	BUMPER REAR
RB008	Antenna-LF-Rear-External	Grey	4	Behind Center of rear bumper	BUMPER REAR
RB009	Initiator-Rear-RH	Grey	2	Below RH rear wheelarch	BUMPER REAR
RB010	Initiator-Rear-LH	Grey	2	Below LH rear wheelarch	BUMPER REAR
RB011	Active Exhaust Solenoid Valve	Black	2	Below LH rear wheelarch	BUMPER REAR
RB012	Active Exhaust Vacuum Pump	Black	4	Below LH rear wheelarch	BUMPER REAR

Connector	Description	Color	Cav	Location	Harness
SA001	Clock spring	Black	4	In center of steering wheel	STEERING WHEEL AIRBAG
SA002	Air bag-Driver		2	In center of steering wheel	STEERING WHEEL AIRBAG
SA003	Air bag-Driver	Black	2	In center of steering wheel	STEERING WHEEL AIRBAG
SA004	Clock spring	Black	6	In center of steering wheel	STEERING WHEEL AIRBAG
SW002	Steering wheel inline link	Black	6	In center of steering wheel	STEERING WHEEL REMOTE ICE SWITCH
SW003	Switch-Remote-ICE	Black	6	Steering Wheel	STEERING WHEEL REMOTE ICE SWITCH
SW004	Switch-Remote-ICE	Black	4	Steering Wheel	STEERING WHEEL REMOTE CRUISE SWITCH
SW005	Switch-Remote-ICE	Black	5	Steering Wheel	STEERING WHEEL REMOTE PADDLE SWITCH
SW008	Switch-Horn	White	1	In center of steering wheel	STEERING WHEEL REMOTE ICE SWITCH
SW009	Cruise controls-Remote	Black	4	Steering Wheel	STEERING WHEEL REMOTE ICE SWITCH
SW010	Upshift paddle switch	Black	3	Behind steering column cowl - RH side	STEERING WHEEL REMOTE ICE SWITCH
SW011	Downshift paddle switch	Black	3	Behind steering column cowl LH side	STEERING WHEEL REMOTE ICE SWITCH
SW012	Switch-Horn	White	1	In center of steering wheel	STEERING WHEEL REMOTE ICE SWITCH
SW013	Switch-Horn	Natural	1	In center of steering wheel	STEERING WHEEL REMOTE ICE SWITCH
SW014	Switch-Horn	Natural	1	In center of steering wheel	STEERING WHEEL REMOTE ICE SWITCH
TA001	Tailgate harness to telephone harness	Grey	8	Luggage compartment - RH side	TAILGATE ANTENNA
TA001	Trunk antenna harness to telematics harness	Grey	8	Luggage compartment - RH side	TRUNKLID
TA001	Telephone harness to antenna harness	Grey	8	Luggage compartment - RH side	TELEMATICS
TA003	Tailgate harness to telephone harness		1	Luggage compartment - RH side	TAILGATE ANTENNA
TA003	Trunk antenna harness to telematics harness		1	Luggage compartment - RH side	TRUNKLID
TA003	Telephone harness to antenna harness	Yellow	2	Luggage compartment - RH side	TELEMATICS
TA004	Tailgate harness to telephone harness		1	Luggage compartment - RH side	TAILGATE ANTENNA
TA004	Trunk antenna harness to telematics harness		1	Luggage compartment - RH side	TRUNKLID
TA004	Telephone harness to antenna harness	Yellow	2	Luggage compartment - RH side	TELEMATICS
TA006	Liftgate Latch/Luggage Compartment Lid Latch	Natural	6	Luggage compartment lid	TAILGATE ANTENNA
TA006	Liftgate Latch/Luggage Compartment Lid Latch	Natural	6	Luggage compartment lid	TRUNKLID
TA008	GPS antenna		1	Luggage compartment lid	TRUNK ANTENNA
TA008	GPS antenna		1	Luggage compartment lid	TRUNKLID
TA009	SDARS antenna		1	Luggage compartment lid	TAILGATE ANTENNA
TA009	SDARS antenna		1	Luggage compartment lid	TRUNKLID
TA011	Heated rear window (HRW)	Black	1	Rear screen - lower	TAILGATE ANTENNA
TA012	Amplifier-Antenna	Black	3	Luggage compartment lid	TAILGATE ANTENNA
TA012	Amplifier-Antenna	Black	3	Luggage compartment lid	TRUNKLID
TA013	Amplifier-Antenna		1	Luggage compartment lid	TAILGATE ANTENNA
TA013	Amplifier-Antenna		1	Luggage compartment lid	TRUNKLID

Connector	Description	Color	Cav	Location	Harness
TA014	Amplifier-Antenna			Luggage compartment lid	
TL001	Trunk lid harness to tailgate harness	Black	10	Luggage compartment lid	BOOTLID LINK
TL001	Trunk lid harness to tailgate harness	Black	10	Luggage compartment lid	TRUNKLID
TL001	Tailgate harness to trunk lid harness	Black	10	Luggage compartment lid	TAILGATE LINK
TL004	Switch-Boot release	Black	2	Luggage compartment lid	TRUNKLID
TL005	Lamp-Rear number plate-RH	Natural	2	Luggage compartment lid	TRUNKLID
TL006	Lamp-Rear number plate-LH	Natural	2	Luggage compartment lid	TRUNKLID
TL008	Lamp-High mounted stop	Black	2	Luggage compartment lid	TRUNKLID
TL011	Lamp-Fog-reverse-LH	Black	2	LH side of boot lid	TRUNKLID
TL012	Lamp-Fog-reverse-RH	Black	2	RH side of boot lid	TRUNKLID
TM001	Telephone harness to instrument panel harness	Black	4	Beneath center console RH side	TELEMATICS
TM001	Instrument panel harness to telephone harness	Black	4	Beneath center console RH side	INSTRUMENT PANEL
TM001	Instrument panel harness to telephone harness	Black	4	Beneath center console RH side	INSTRUMENT PANEL
TM002	Telephone harness to main harness	Light grey	14	Behind RH rear trim panel	TELEMATICS
TM002	Main harness to telephone harness	Light grey	14	Behind RH rear trim panel	CABIN RH
TM002	Main harness to telephone harness	Light grey	14	Behind RH rear trim panel	CABIN LH
TM009	Navigation system module	Grey	12	Luggage compartment - RH side	TELEMATICS
TM010	Navigation system module		1	Luggage compartment - RH side	TELEMATICS
TM011	Navigation system module		1	Luggage compartment - RH side	TELEMATICS
TM021	Module-Telephone	Black	32	Luggage compartment - RH side	TELEMATICS
TM023	Module-Telephone	Black	2	Luggage compartment - RH side	MOST LINK
TM027	Tailgate harness to telephone harness		1	Luggage compartment - RH side	TAILGATE ANTENNA
TM027	Trunk antenna harness to telematics harness		1	Luggage compartment - RH side	TRUNKLID
TM027	Telematics harness to trunk antenna harness		1	Luggage compartment - RH side	TELEMATICS
TM033	Module-SDARS	Black	2	Luggage compartment - RH side	TELEMATICS
TM034	Module-SDARS		1	Luggage compartment - RH side	TELEMATICS
TM066	Telephone antenna		1	Beneath rear seat - RH Side	TELEMATICS
TM071	Telephone harness to instrument panel harness	Black	2	Beneath center console	TELEMATICS
TM071	Instrument panel harness to telephone harness	Black	2	Beneath center console	INSTRUMENT PANEL
TM071	Instrument panel harness to telephone harness	Black	2	Beneath center console	INSTRUMENT PANEL
TM075	Link harness to ice harness	Black	2	Luggage compartment - RH side	MOST LINK
TM075	Ice harness to link harness	Black	2	Luggage compartment - RH side	TELEMATICS
TM077	Module-Signal splitter		1	Luggage compartment - RH side	TELEMATICS
TM078	Module-Signal splitter	Black	2	Luggage compartment - RH side	TELEMATICS
TM079	Module-Signal splitter		1	Luggage compartment - RH side	TELEMATICS
TM080	Module-Signal splitter		1	Luggage compartment - RH side	TELEMATICS

Connector	Description	Color	Cav	Location	Harness
TM084	Navigation system module	Black	2	Luggage compartment - RH side	MOST LINK
TM085	Solenoid-Damper Rear-RH	Black	2	Luggage compartment - RH side	TELEMATICS
TM086	Navigation system module		1	Luggage compartment - RH side	TELEMATICS
TM087	Motor-Release-Fuel flap	Dark grey	2	Behind RH rear wheel arch liner	TELEMATICS
TM088	Telephone harness to instrument panel harness		1	Beneath center console	TELEMATICS
TM088	Instrument panel harness to telephone harness		1	Beneath center console	INSTRUMENT PANEL
TM088	Instrument panel harness to telephone harness		1	Beneath center console	INSTRUMENT PANEL
TM090	Telephone harness to instrument panel harness		1	Beneath center console RH side	TELEMATICS
TM090	Instrument panel harness to telephone harness		1	Beneath center console RH side	INSTRUMENT PANEL
TM090	Instrument panel harness to telephone harness		1	Beneath center console RH side	INSTRUMENT PANEL
TM093	Lamp-Load space-RH	Black	2	Luggage compartment - RH side	TELEMATICS
TM095	Module-Telephone		1	Luggage compartment - RH side	TELEMATICS
TM099	Navigation system module		1	Luggage compartment - RH side	TELEMATICS
TM100	Module-SDARS	Black	2	Luggage compartment - RH side	TELEMATICS

ph7w83-70012-c-ab



B- Battery Voltage
P Power Ground

IP Input
OP Output

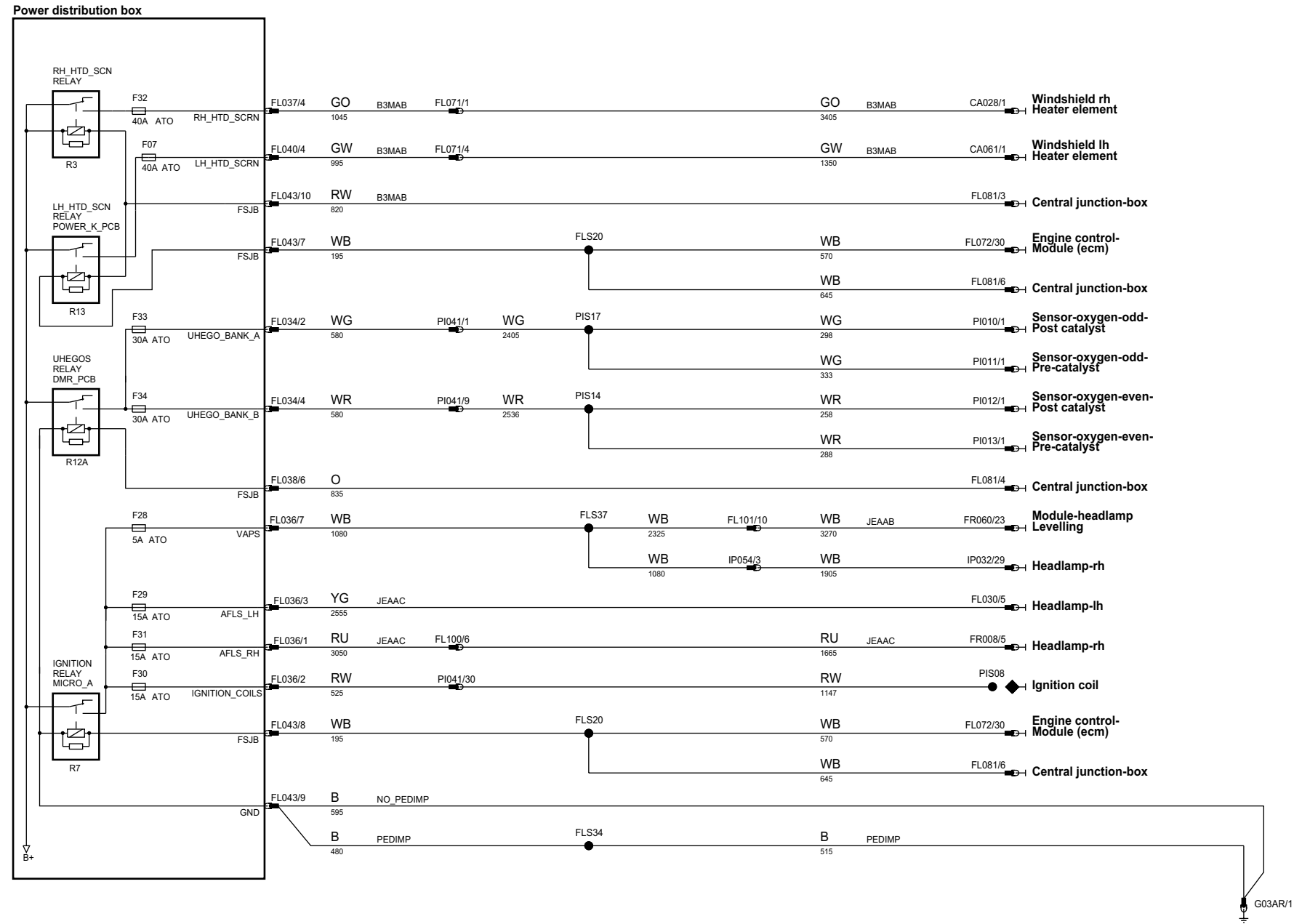
VREF Sensor/Signal Supply V
GREF Sensor/Signal Ground

HS CAN BUS High speed controller area network bus
MS CAN BUS Medium speed controller area network bus

MOST BUS Media oriented systems transport bus
D Serial and Encoded Data

VARIANT: All
VIN RANGE: All
DATE OF ISSUE: 03/2008

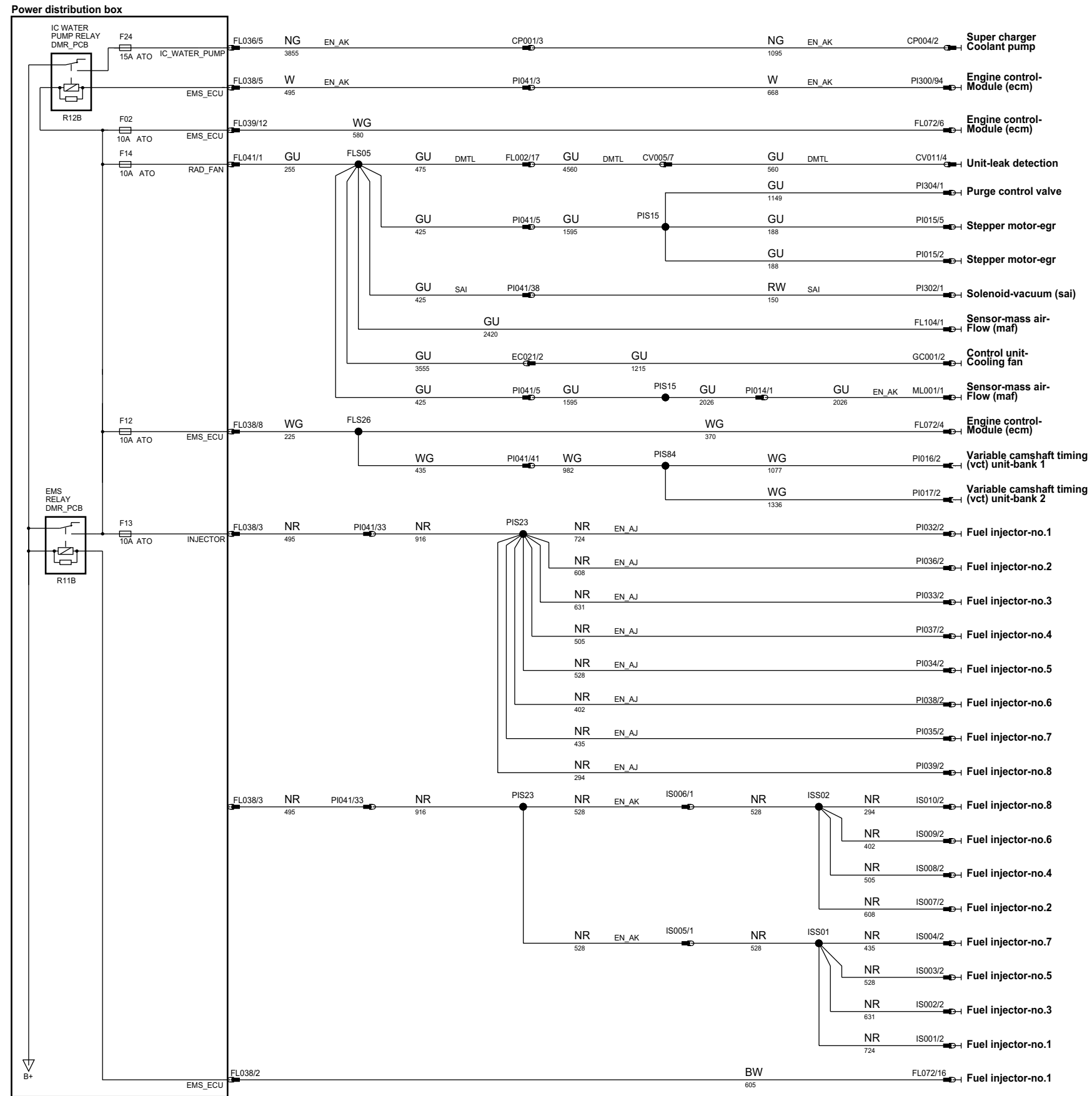
ph7w83-70012-m-ab



B+ Battery Voltage	IP Input	VREF Sensor/Signal Supply V	HS CAN BUS High speed controller area network bus	MOST BUS Media oriented systems transport bus
P Power Ground	OP Output	GRES Sensor/Signal Ground	MS CAN BUS Medium speed controller area network bus	D Serial and Encoded Data

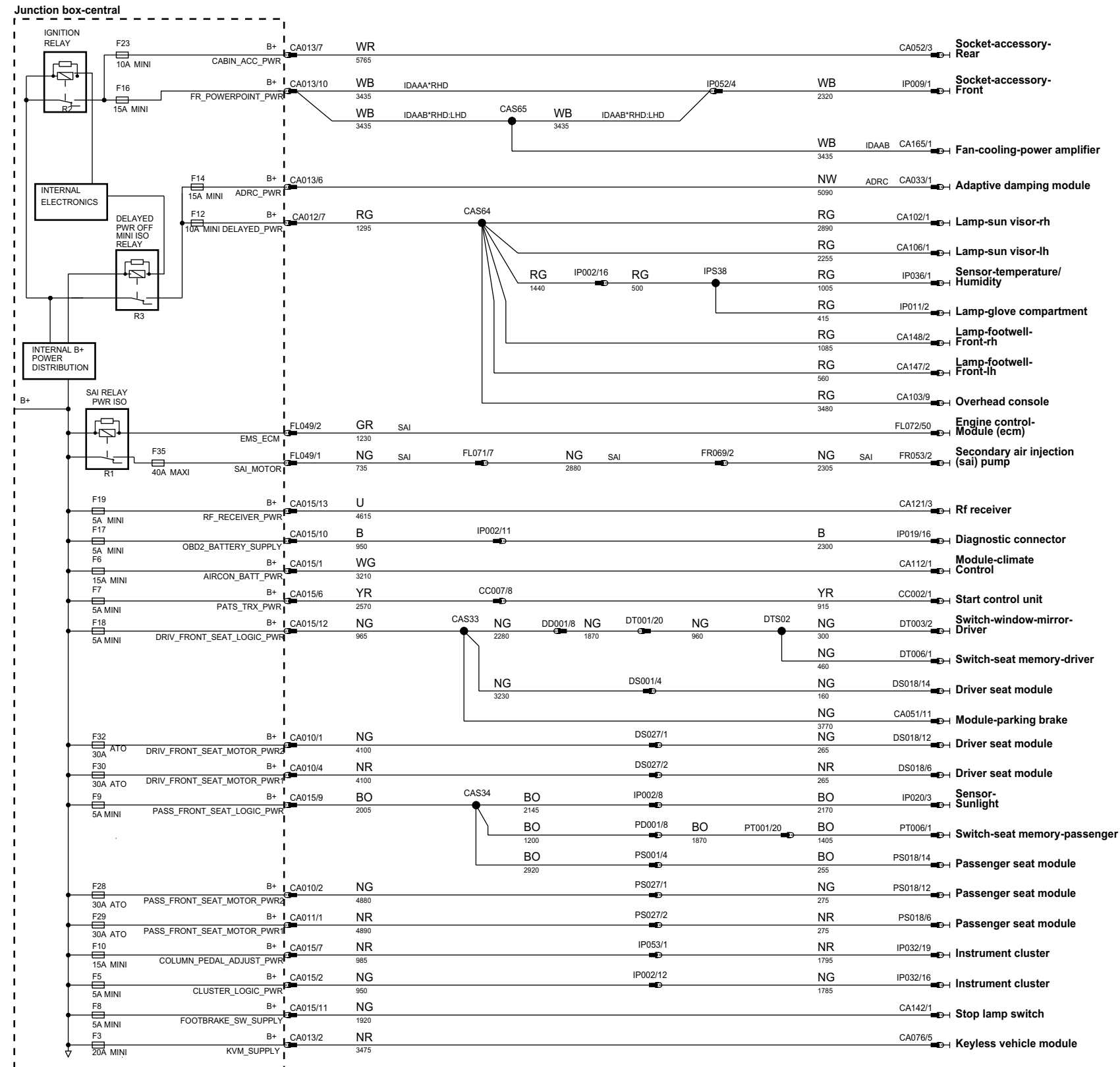
VARIANT: All
 VIN RANGE: All
 DATE OF ISSUE: 03/2008

ph7w83-70012-m2-ab



B+ Battery Voltage	IP Input	VREF Sensor/Signal Supply V	HS CAN BUS High speed controller area network bus	MOST BUS Media oriented systems transport bus	VARIANT: All
P Power Ground	OP Output	GRES Sensor/Signal Ground	MS CAN BUS Medium speed controller area network bus	D Serial and Encoded Data	VIN RANGE: All
					DATE OF ISSUE: 03/2008

ph0w83-70012-d-ac



B+ Battery Voltage
P Power Ground

IP Input
OP Output

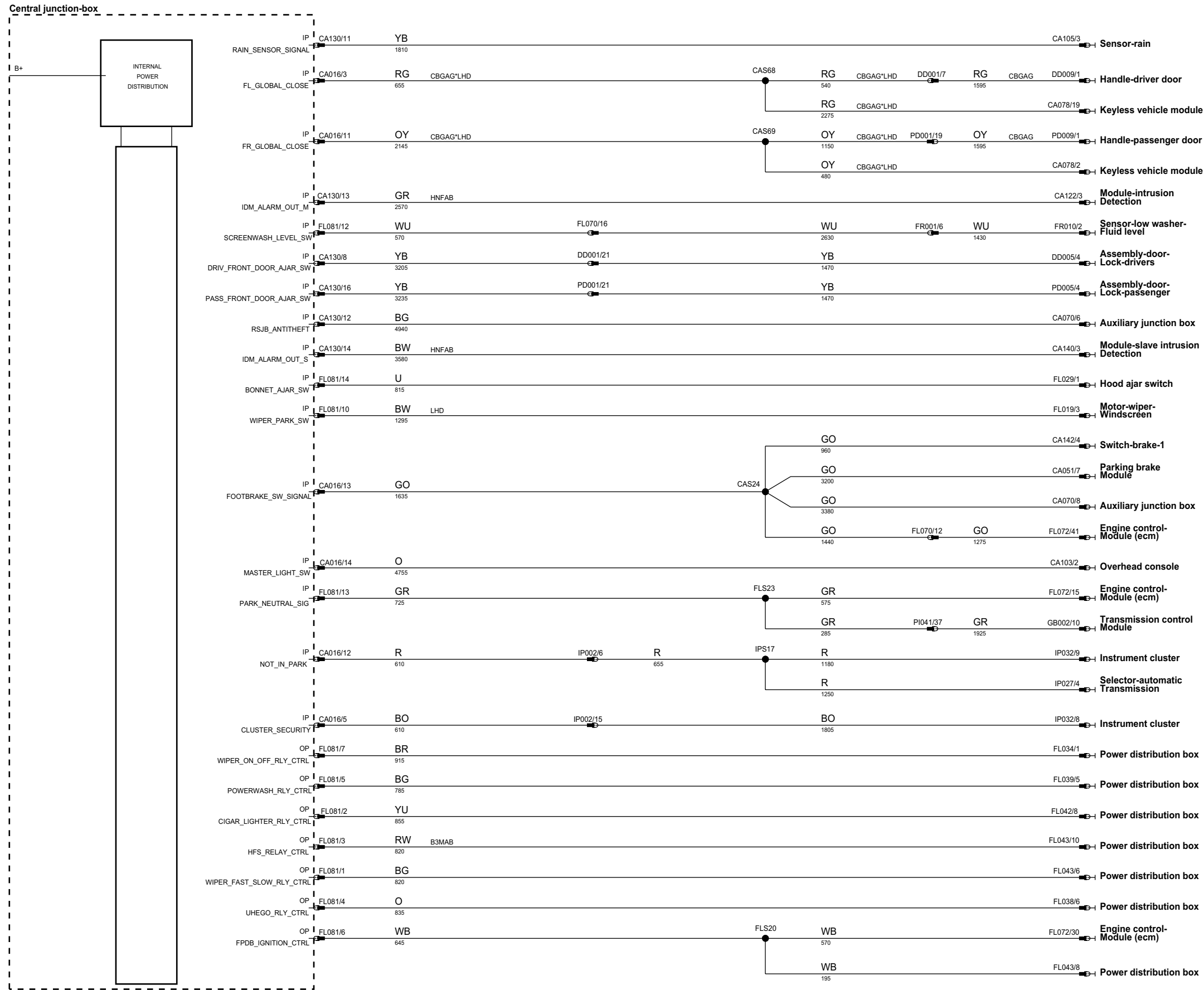
VREF Sensor/Signal Supply V
GREF Sensor/Signal Ground

HS CAN BUS High speed controller area network bus
MS CAN BUS Medium speed controller area network bus

MOST BUS Media oriented systems transport bus
D Serial and Encoded Data

VARIANT: All
VIN RANGE: All
DATE OF ISSUE: 03/2008

ph7w83-70012-e-ab



B+ Battery Voltage
P Power Ground

IP Input
OP Output

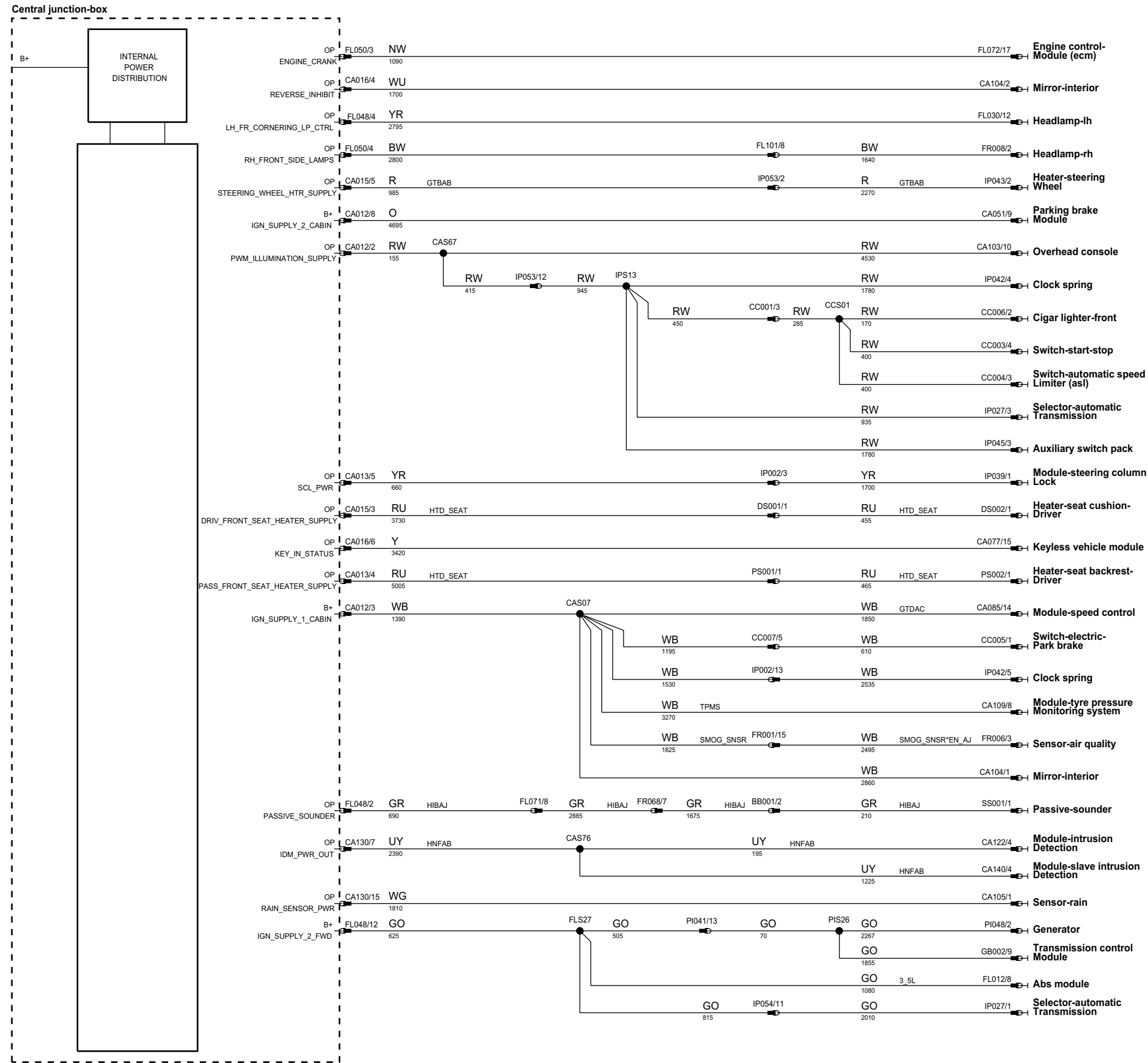
VREF Sensor/Signal Supply V
GREF Sensor/Signal Ground

HS CAN BUS High speed controller area network bus
MS CAN BUS Medium speed controller area network bus

MOST BUS Media oriented systems transport bus
D Serial and Encoded Data

VARIANT: All
VIN RANGE: All
DATE OF ISSUE: 03/2008

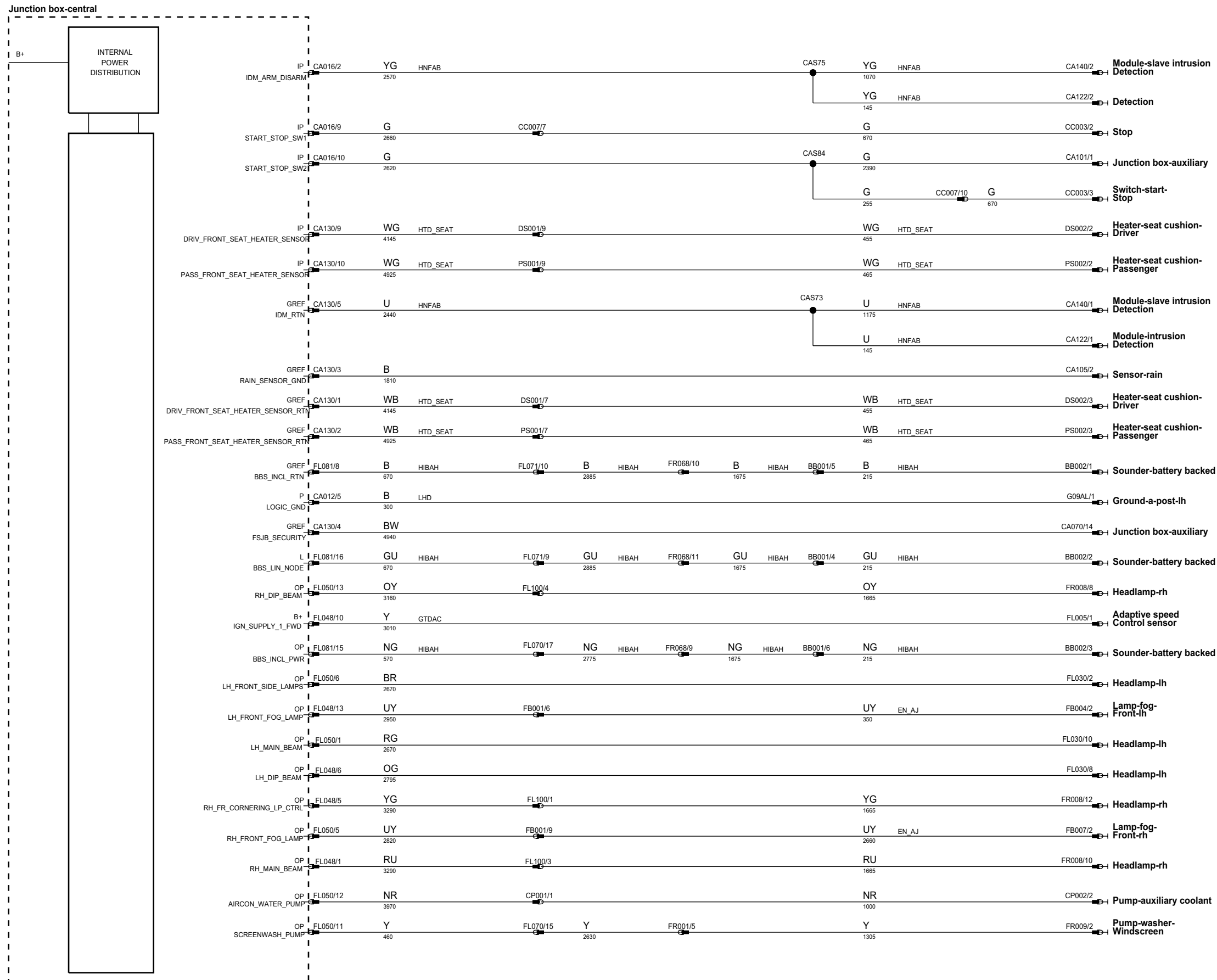
ph7w83-70012-4-ab



B+ Battery Voltage	IP Input	VREF Sensor/Signal Supply V	HS CAN BUS High speed controller area network bus	MOST BUS Media oriented systems transport bus
P Power Ground	OP Output	GRES Sensor/Signal Ground	MS CAN BUS Medium speed controller area network bus	D Serial and Encoded Data

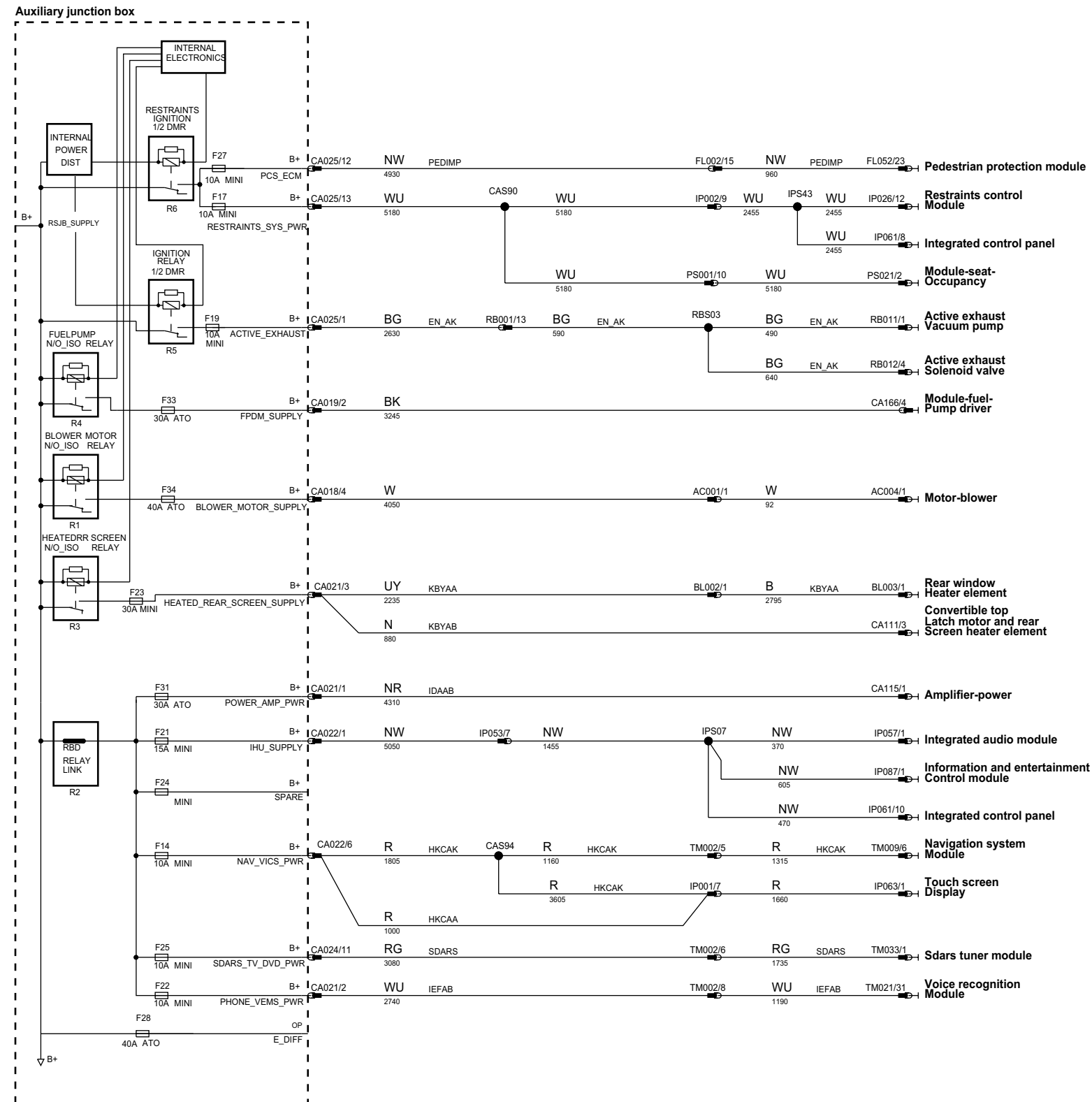
VARIANT: All
VIN RANGE: All
DATE OF ISSUE: 03/2008

phw83-70012-t-ac



VARIANT: All
 VIN RANGE: All
 DATE OF ISSUE: 03/2008

ph7w83-70012-g-ab



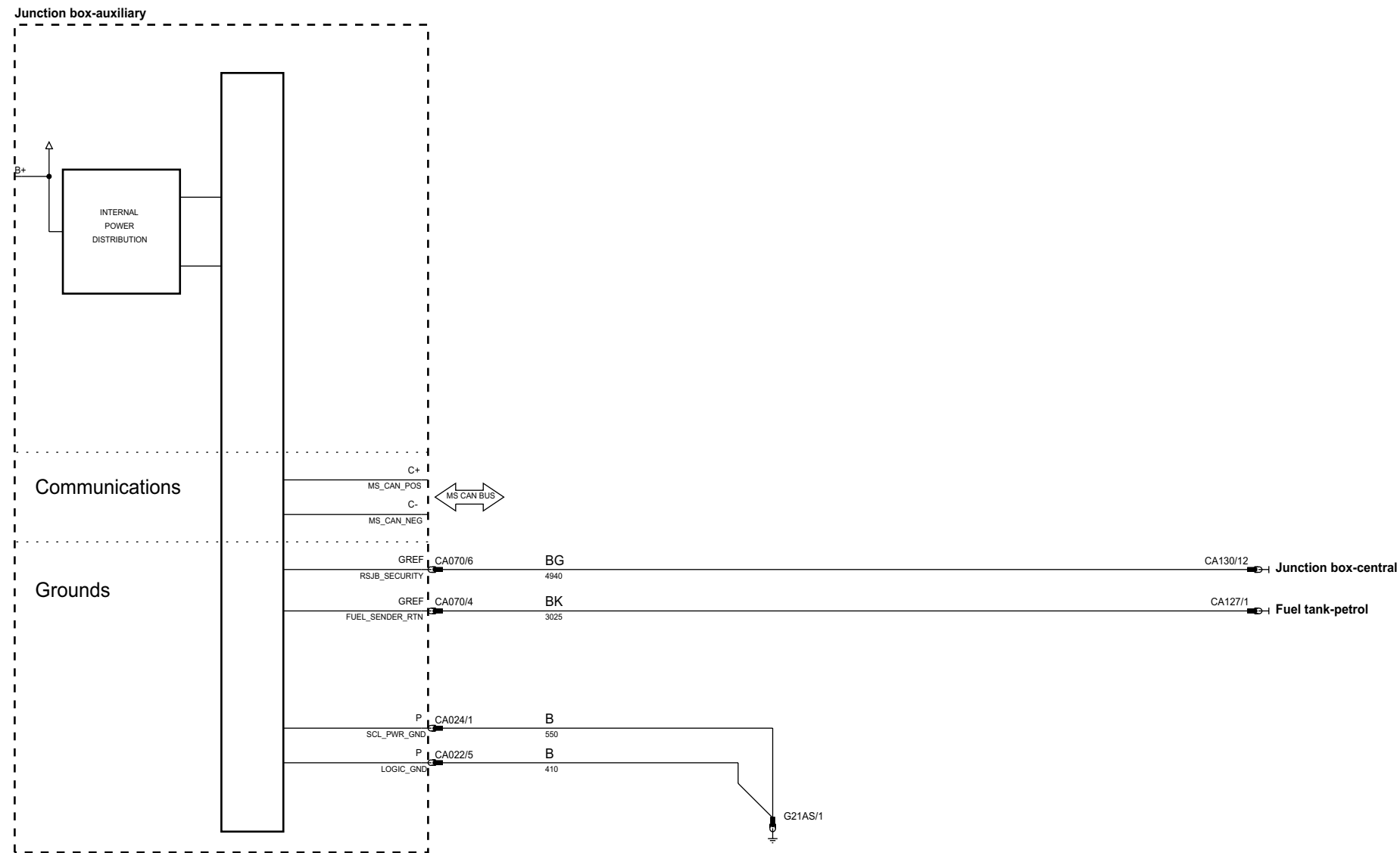
B+ Battery Voltage
P Power Ground
IP Input
OP Output
VREF Sensor/Signal Supply V
GREF Sensor/Signal Ground

HS CAN BUS High speed controller area network bus
MS CAN BUS Medium speed controller area network bus

MOST BUS Media oriented systems transport bus
D Serial and Encoded Data

VARIANT: All
VIN RANGE: All
DATE OF ISSUE: 03/2008

phw83-70012-h-ac



B- Battery Voltage
P Power Ground

IP Input
OP Output

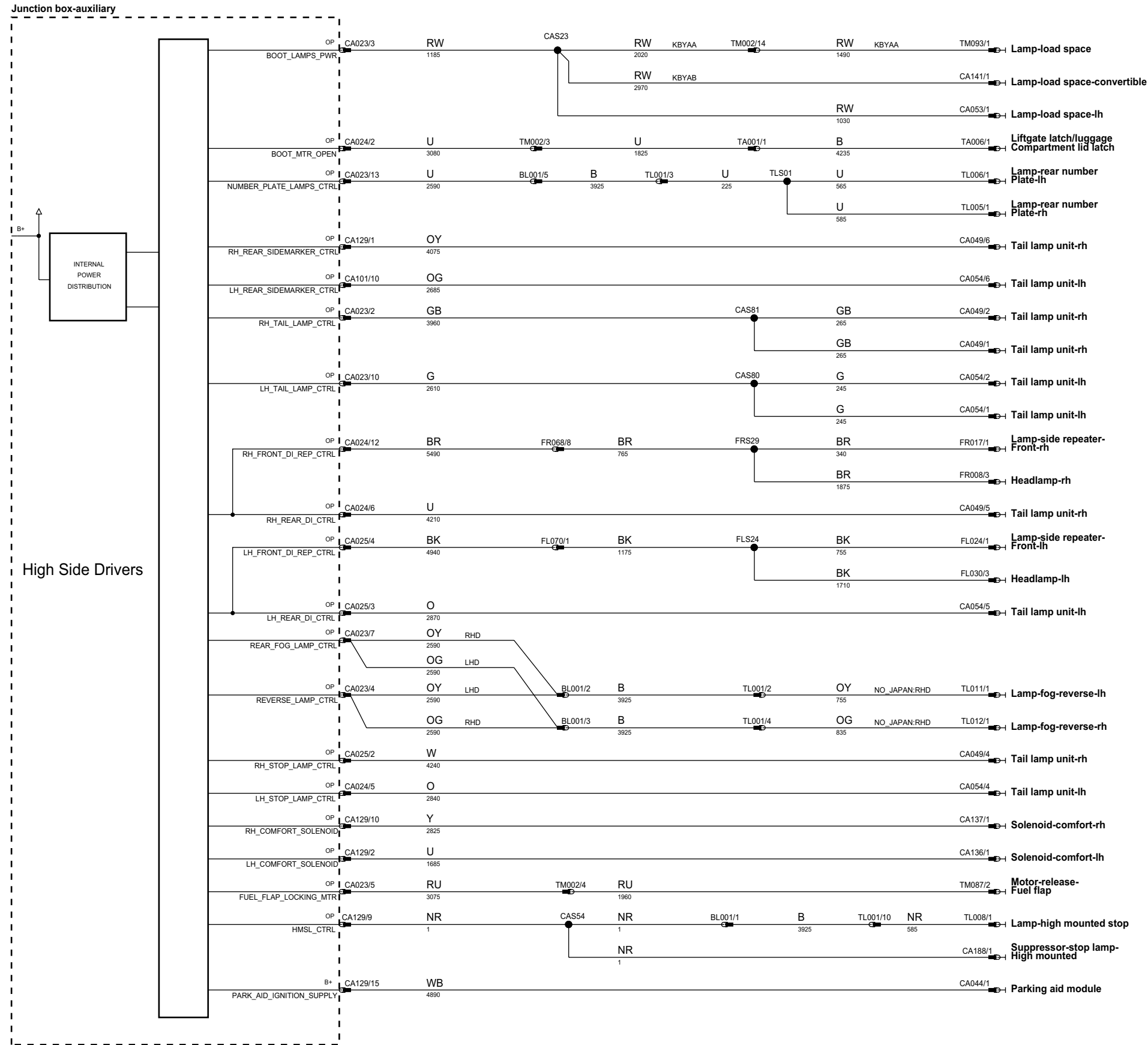
VREF Sensor/Signal Supply V
GREF Sensor/Signal Ground

HS CAN BUS High speed controller area network bus
MS CAN BUS Medium speed controller area network bus

MOST BUS Media oriented systems transport bus
D Serial and Encoded Data

VARIANT: All
VIN RANGE: All
DATE OF ISSUE: 03/2008

phw83-70012-p-ac



B+ Battery Voltage
 P Power Ground
 IP Input
 OP Output
 VREF Sensor/Signal Supply V
 GREF Sensor/Signal Ground

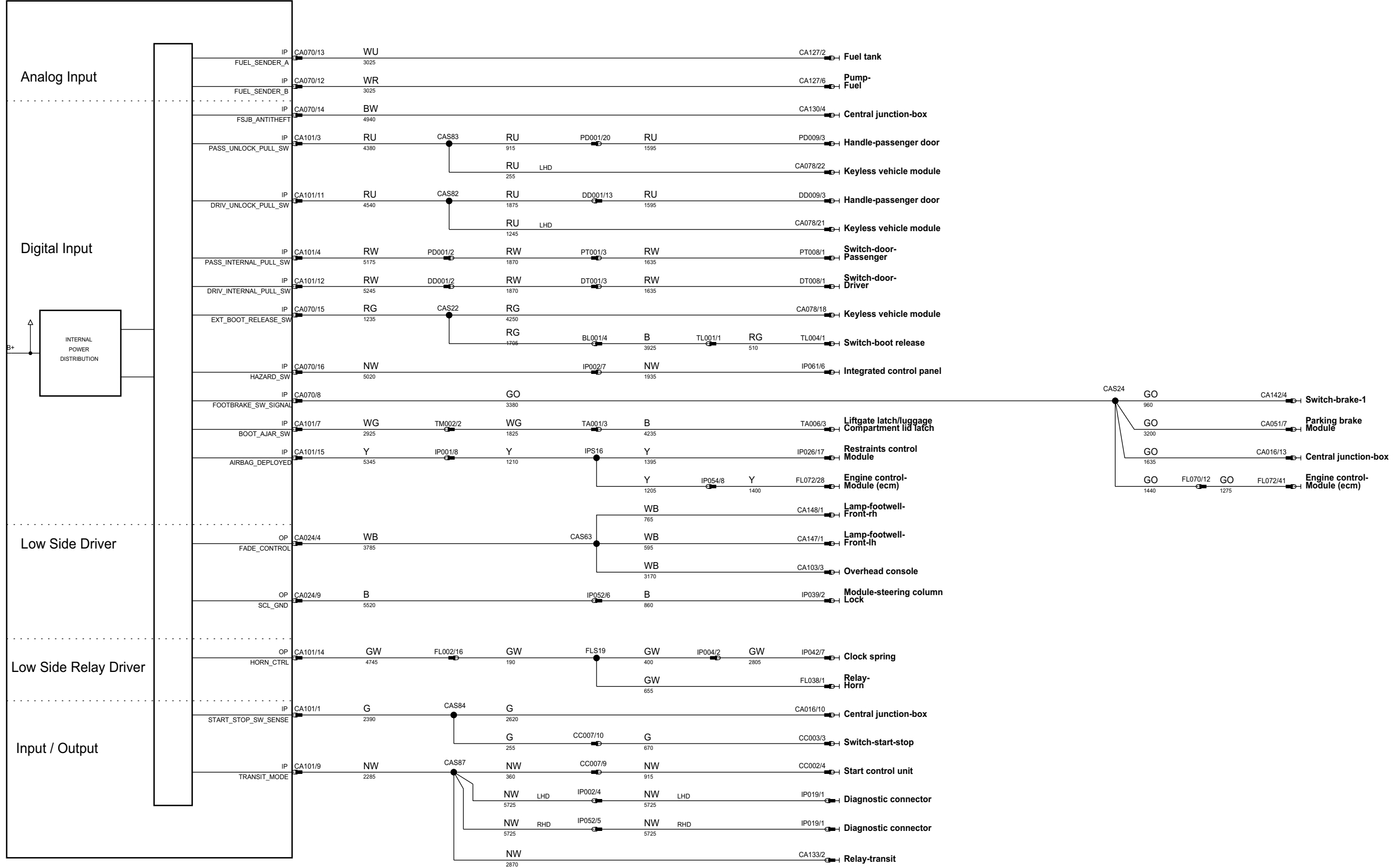
HS CAN BUS High speed controller area network bus
 MS CAN BUS Medium speed controller area network bus

MOST BUS Media oriented systems transport bus
 D Serial and Encoded Data

VARIANT: All
 VIN RANGE: All
 DATE OF ISSUE: 03/2008

ph7w83-70012+ab

Auxiliary junction box



B+ Battery Voltage
P Power Ground

IP Input
OP Output

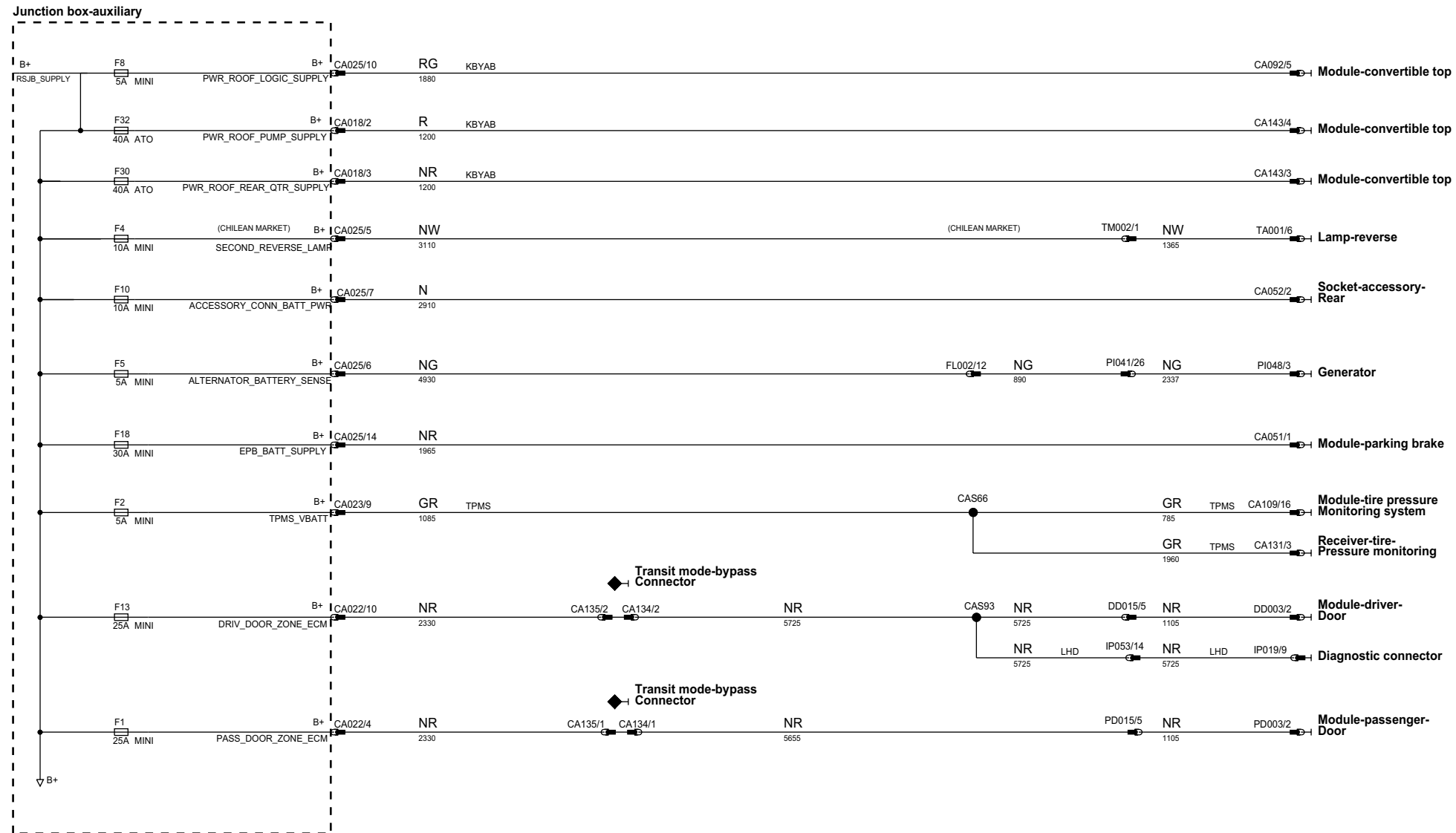
VREF Sensor/Signal Supply V
GREF Sensor/Signal Ground

HS CAN BUS High speed controller area network bus
MS CAN BUS Medium speed controller area network bus

MOST BUS Media oriented systems transport bus
D Serial and Encoded Data

VARIANT: All
VIN RANGE: All
DATE OF ISSUE: 03/2008

ph0w83-70012-s-ac

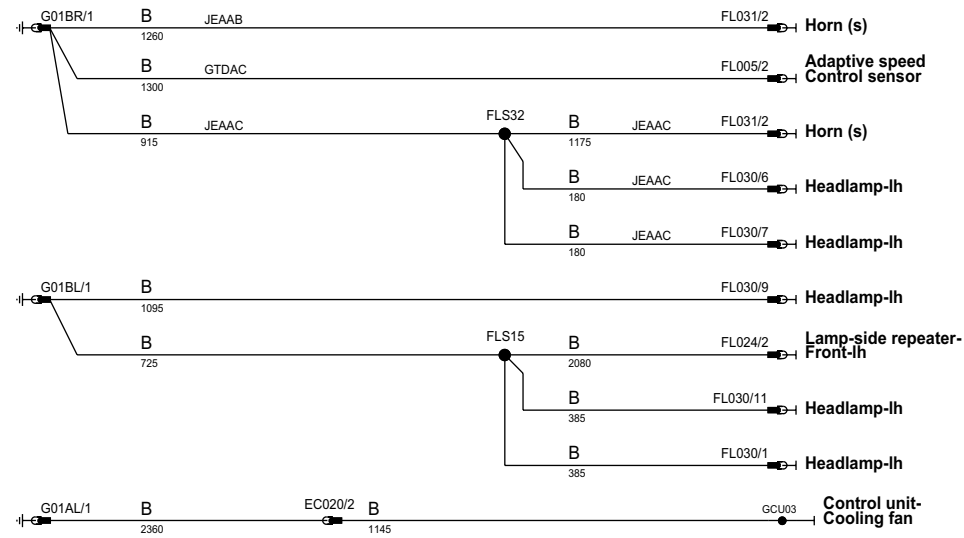


B+ Battery Voltage	IP Input	VREF Sensor/Signal Supply V	HS CAN BUS High speed controller area network bus	MOST BUS Media oriented systems transport bus	VARIANT: All
P Power Ground	OP Output	GRES Sensor/Signal Ground	MS CAN BUS Medium speed controller area network bus	D Serial and Encoded Data	VIN RANGE: All
					DATE OF ISSUE: 03/2008

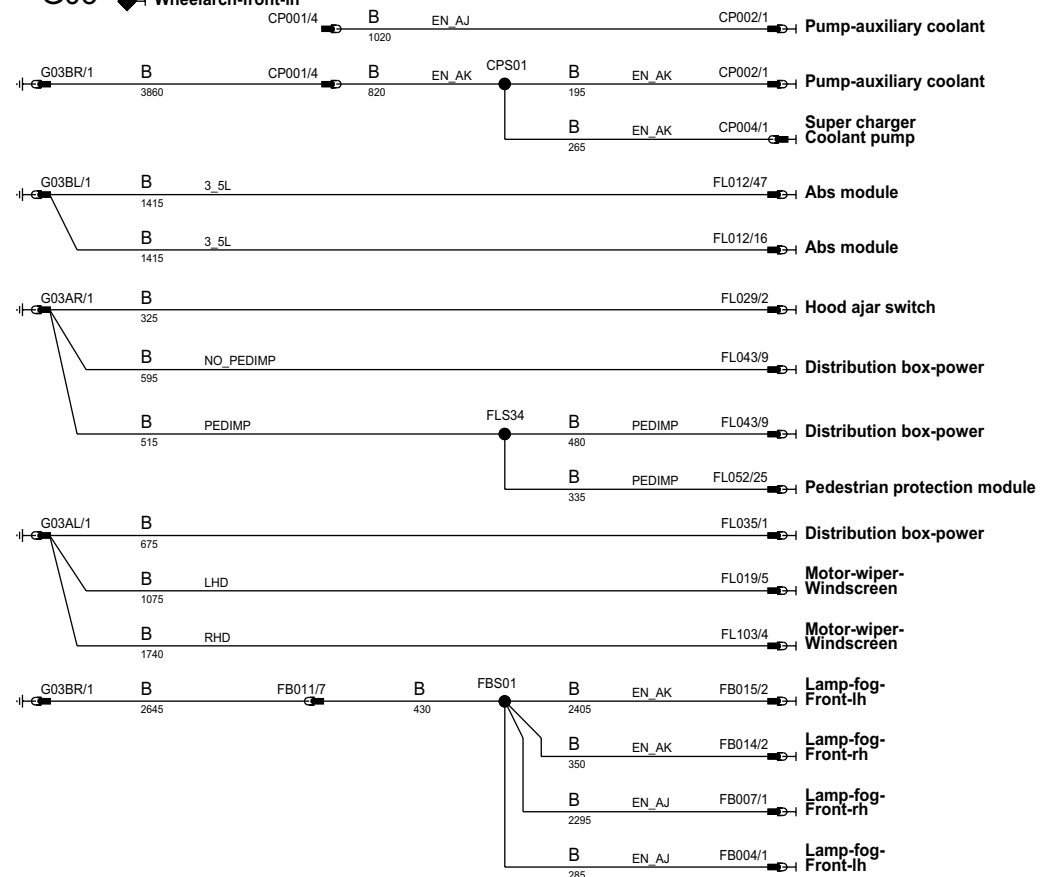
x

ph8w83-70012-a-ac

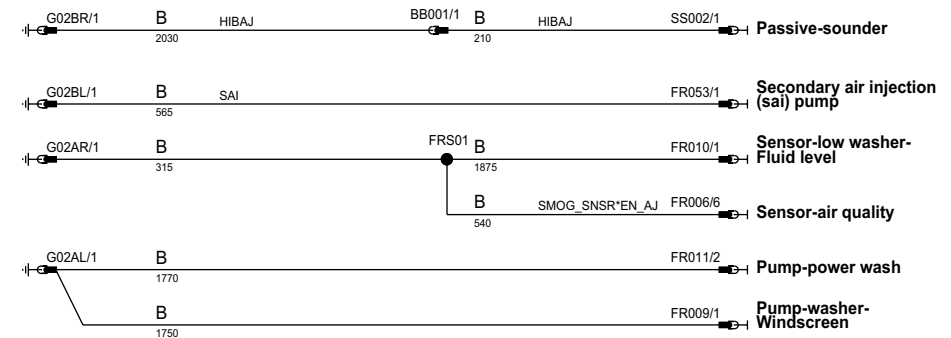
G01 Headlamp-lh



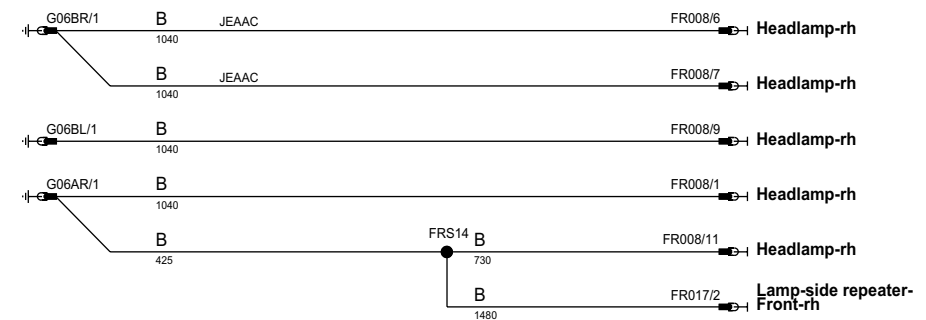
G03 Wheelarch-front-lh



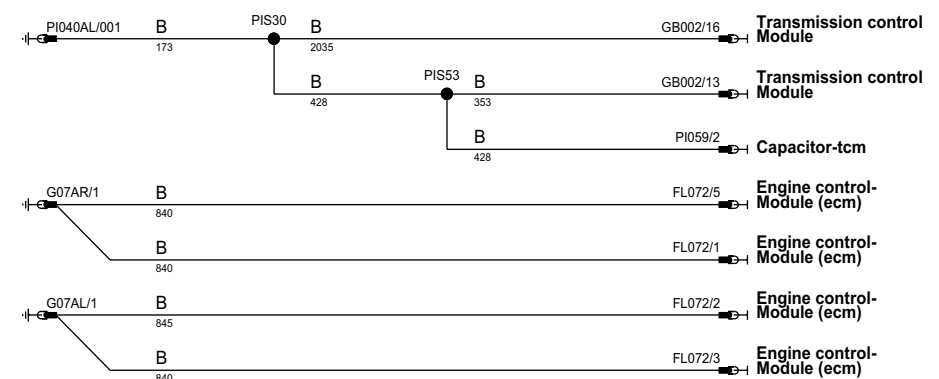
G02 Headlamp-rh



G06 Longitudinal-front-rh

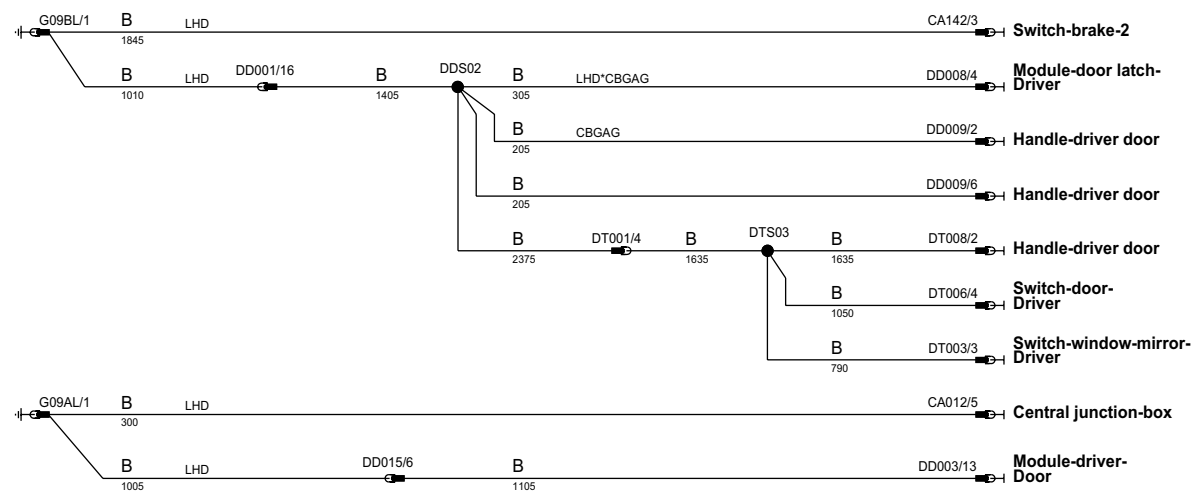


G07 Engine management system

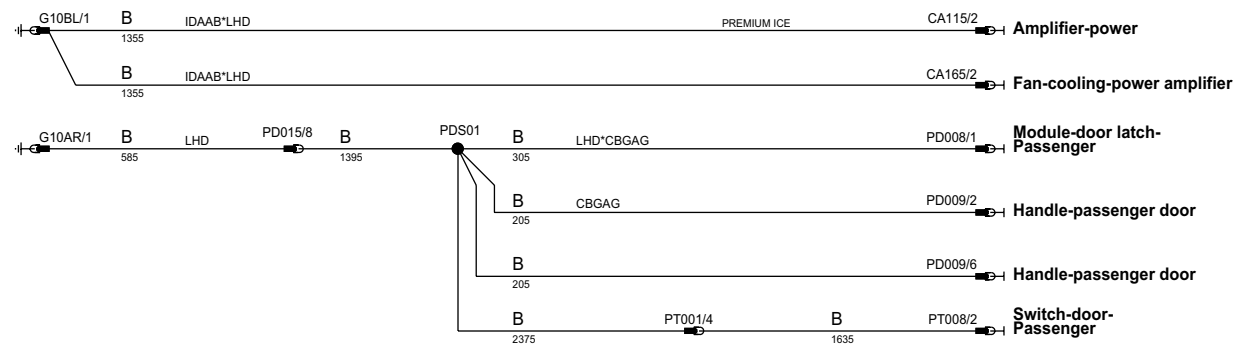


B- Battery Voltage	IP Input	VREF Sensor/Signal Supply V	HS CAN BUS High speed controller area network bus	MOST BUS Media oriented systems transport bus	VARIANT: All
P Power Ground	OP Output	GRES Sensor/Signal Ground	MS CAN BUS Medium speed controller area network bus	D Serial and Encoded Data	VIN RANGE: All
					DATE OF ISSUE: 03/2008

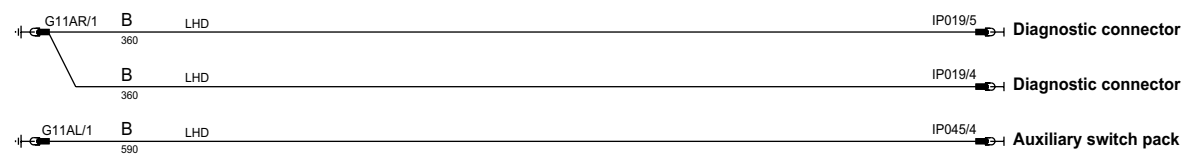
G09 (LHD) ◆ Lh 'a' post



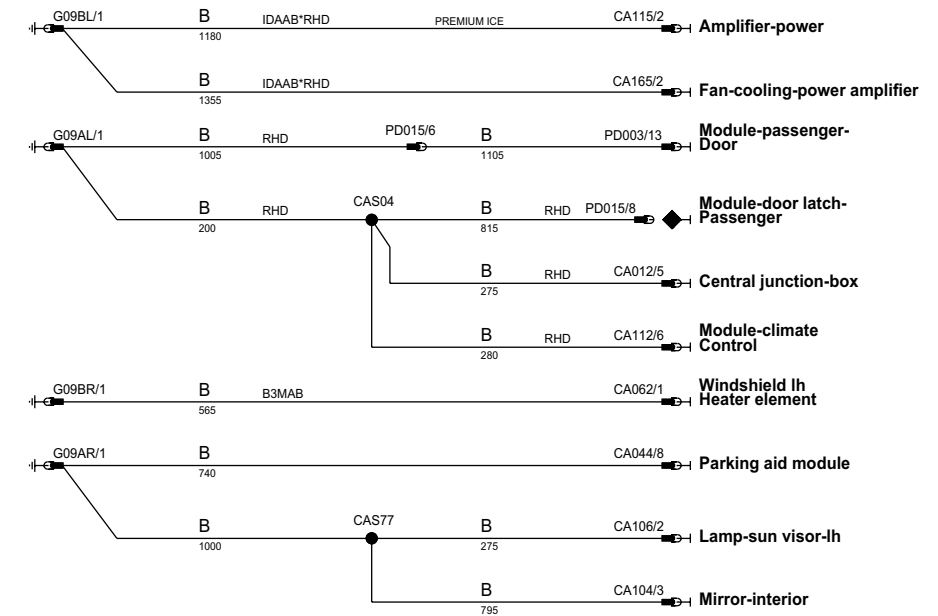
G10 (LHD) ◆ Rh 'a' post



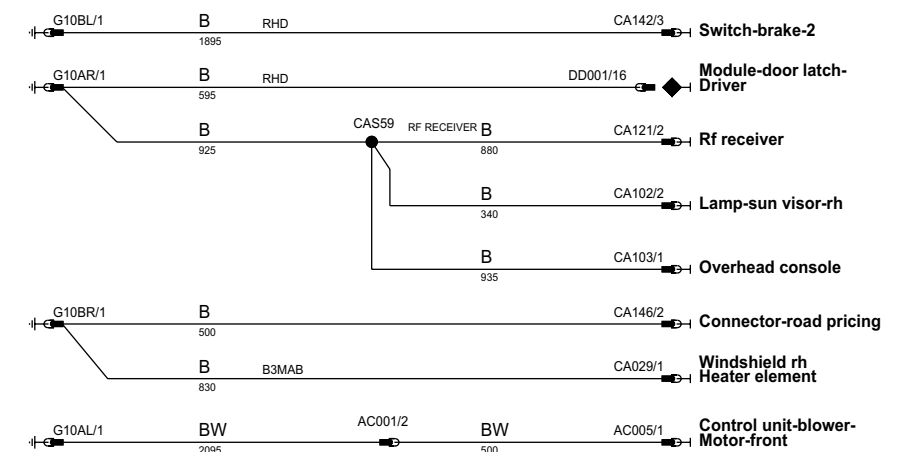
G11 ◆ Beam-instrument panel-lh



G09 (RHD) ◆ Lh 'a' post



G10 (RHD) ◆ Rh 'a' post



B- Battery Voltage
P Power Ground

IP Input
OP Output

VREF Sensor/Signal Supply V
GREF Sensor/Signal Ground

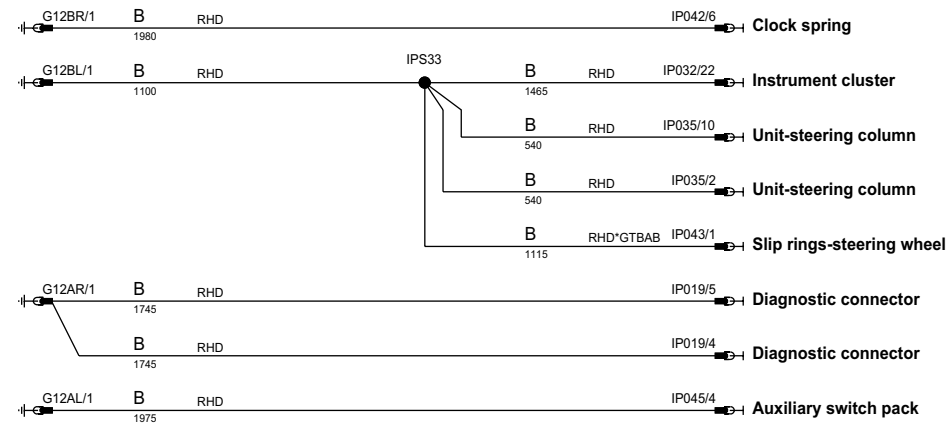
HS CAN BUS High speed controller area network bus
MS CAN BUS Medium speed controller area network bus

MOST BUS Media oriented systems transport bus
D Serial and Encoded Data

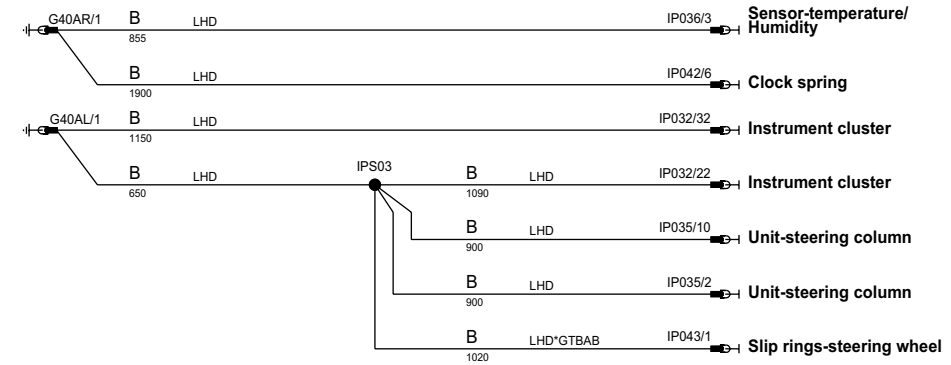
VARIANT: All
VIN RANGE: All
DATE OF ISSUE: 03/2008

ph8w83-70012-n-ac

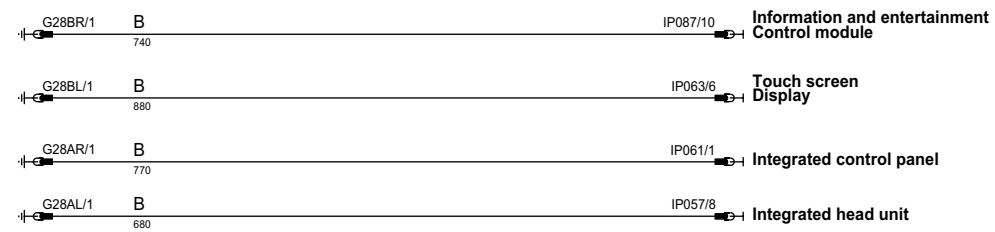
G12 ◈ Beam-instrument panel-rh



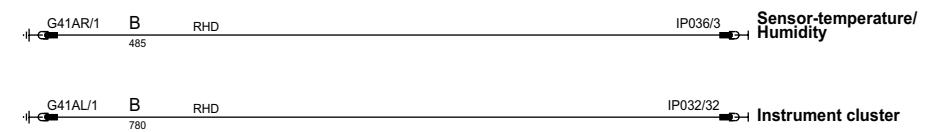
G40 ◈ Instrument panel-left-upper



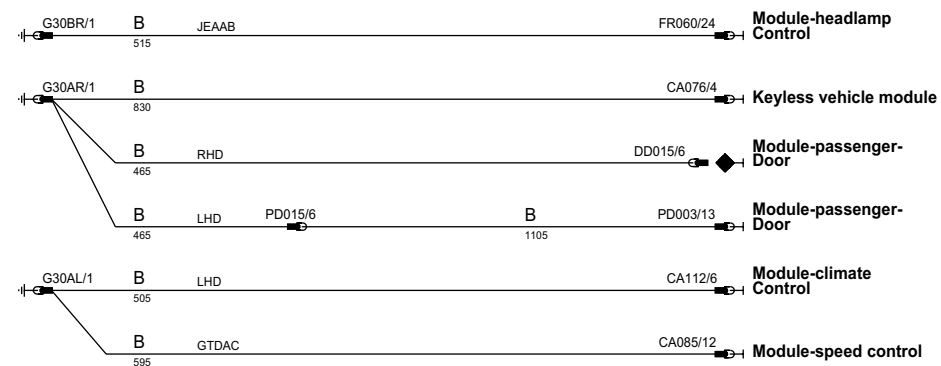
G28 ◈ Instrument panel-centre



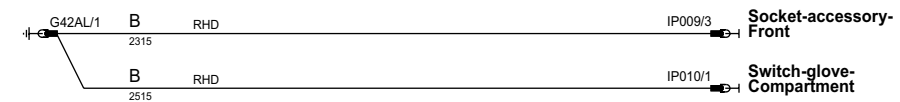
G41 ◈ Instrument panel-right-upper



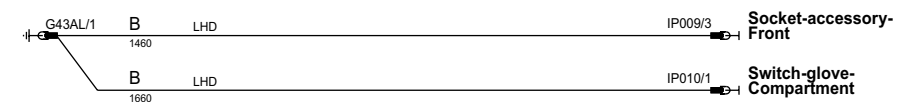
G30 ◈ Rh 'a' post



G42 ◈ Instrument panel-left-lower

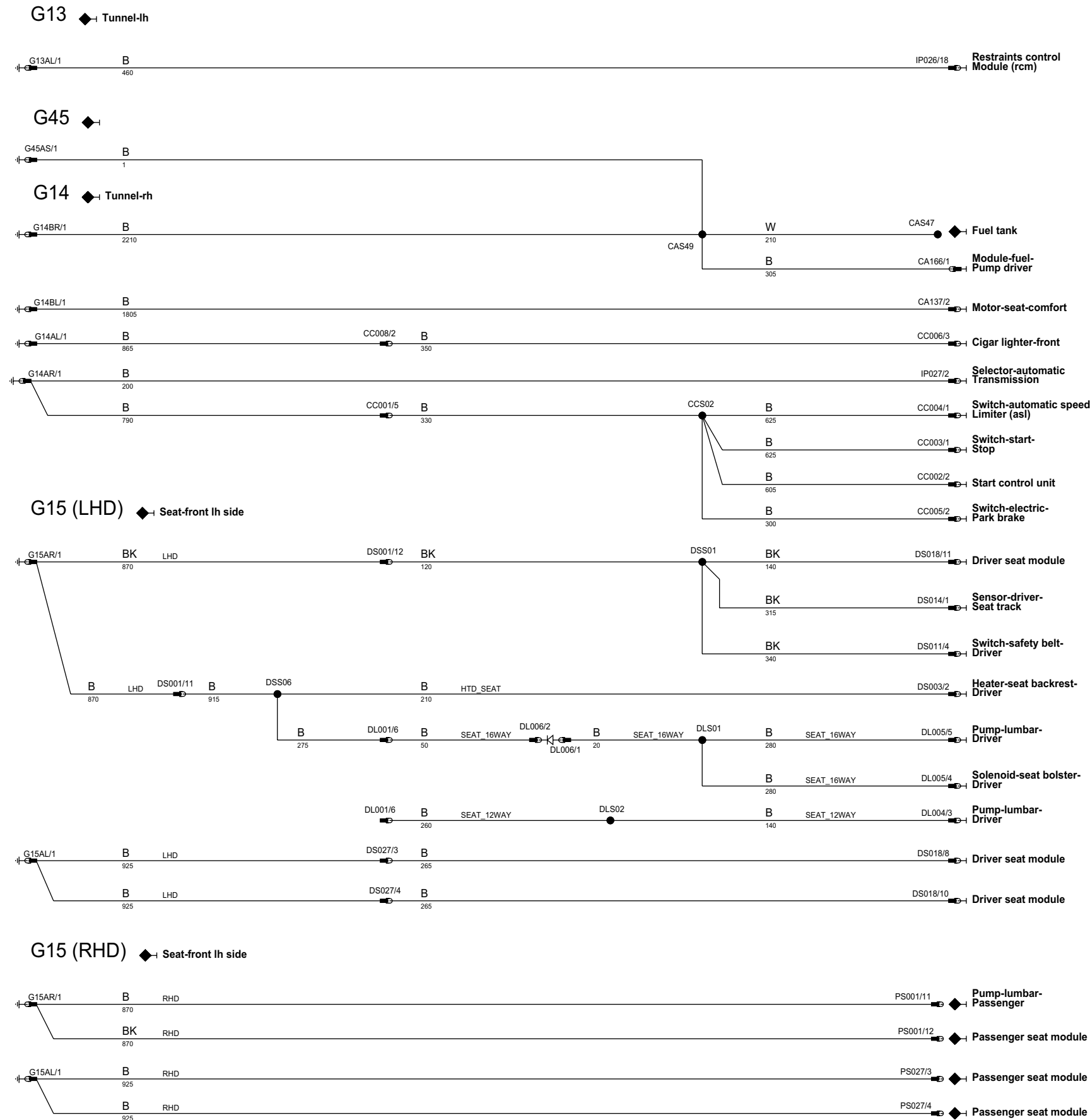


G43 ◈ Instrument panel-right-lower



B- Battery Voltage	IP Input	VREF Sensor/Signal Supply V	HS CAN BUS High speed controller area network bus	MOST BUS Media oriented systems transport bus	VARIANT: All
P Power Ground	OP Output	GRES Sensor/Signal Ground	MS CAN BUS Medium speed controller area network bus	D Serial and Encoded Data	VIN RANGE: All
					DATE OF ISSUE: 03/2008

ph0w83-70012-k-ac



B- Battery Voltage
P Power Ground

IP Input
OP Output

VREF Sensor/Signal Supply V
GREF Sensor/Signal Ground

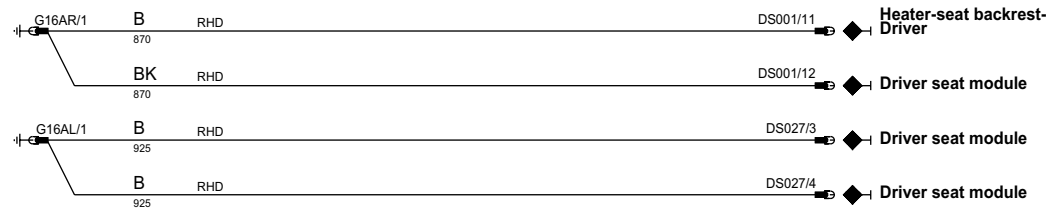
HS CAN BUS High speed controller area network bus
MS CAN BUS Medium speed controller area network bus

MOST BUS Media oriented systems transport bus
D Serial and Encoded Data

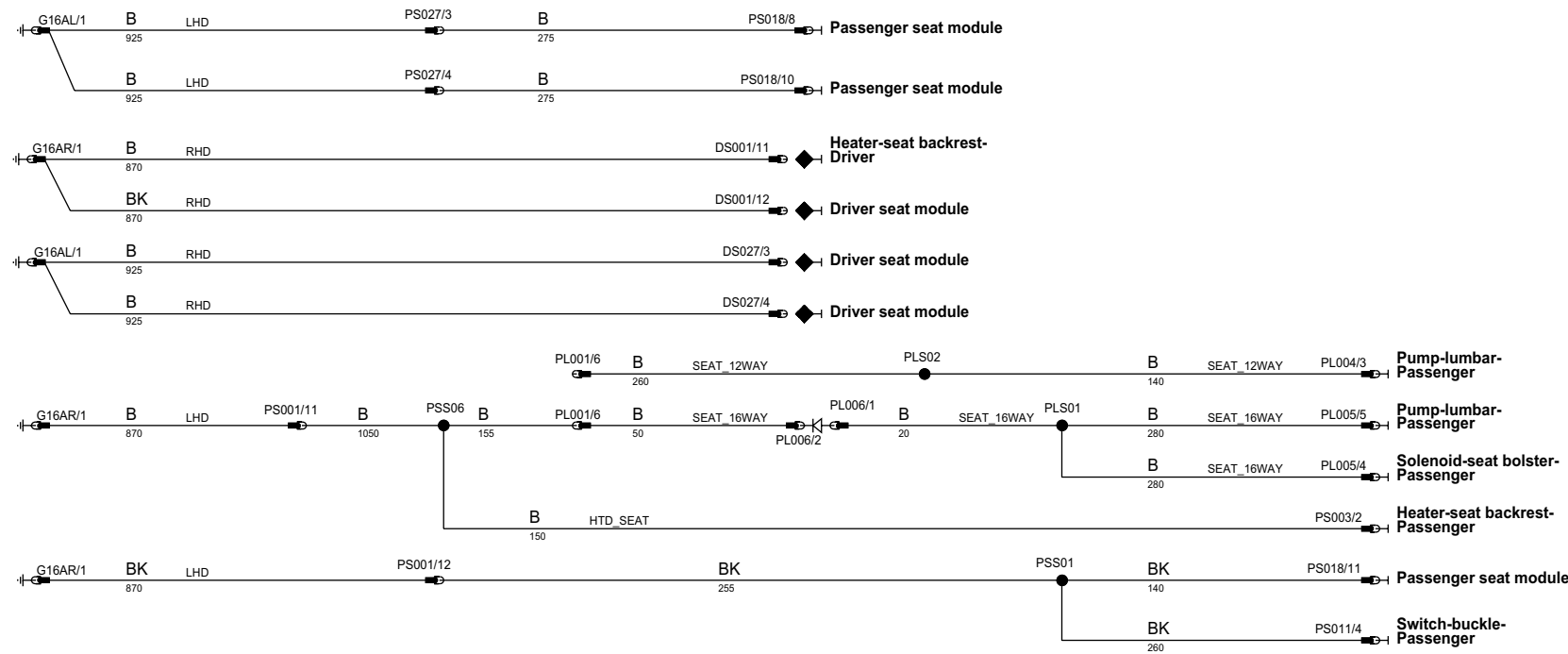
VARIANT: All
VIN RANGE: All
DATE OF ISSUE: 03/2008

phw83-70012-b-ac

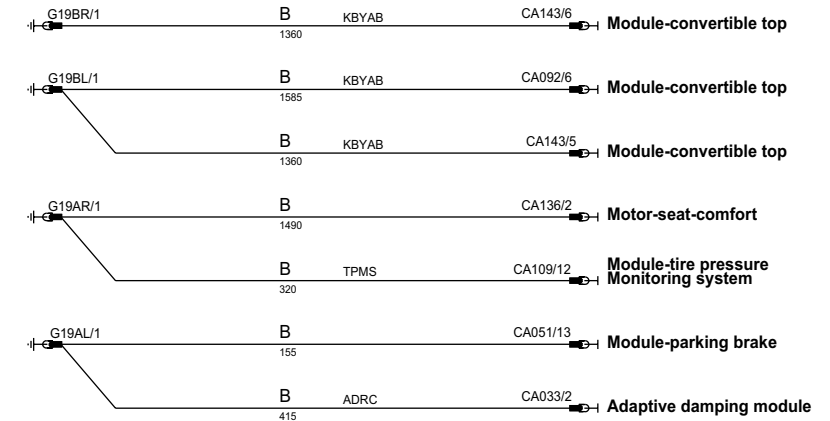
G16 (RHD) Seat-front rh side



G16 (LHD) Seat-front rh side



G19 Seatback-rear-lh



B- Battery Voltage
P Power Ground

IP Input
OP Output

VREF Sensor/Signal Supply V
GREF Sensor/Signal Ground

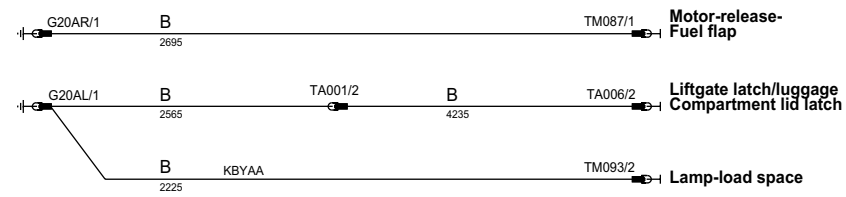
HS CAN BUS High speed controller area network bus
MS CAN BUS Medium speed controller area network bus

MOST BUS Media oriented systems transport bus
D Serial and Encoded Data

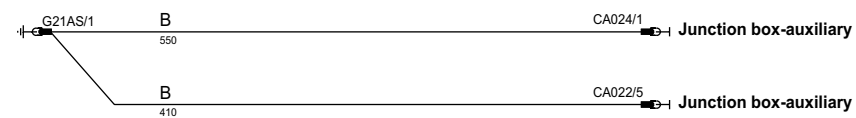
VARIANT: All
VIN RANGE: All
DATE OF ISSUE: 03/2008

x

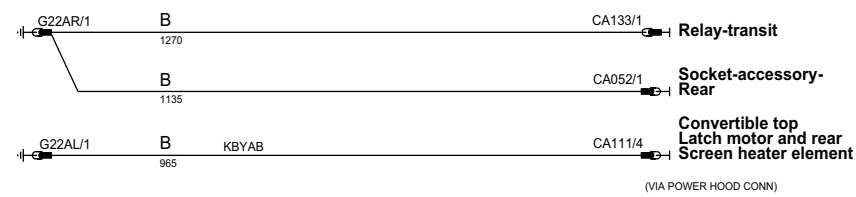
G20 ♦ Seatback-rear-rh



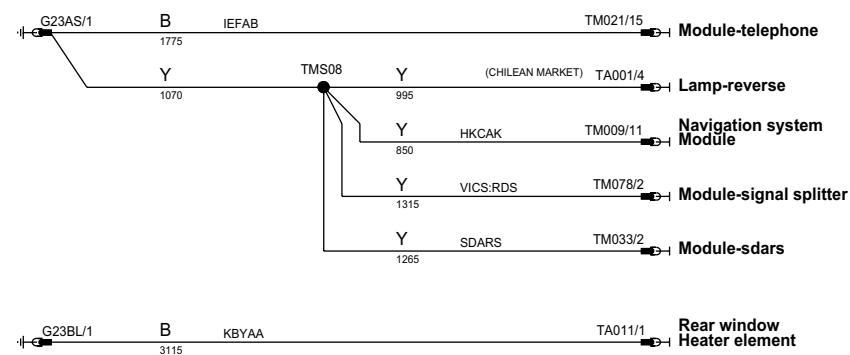
G21 ♦ Seatback-rear-center



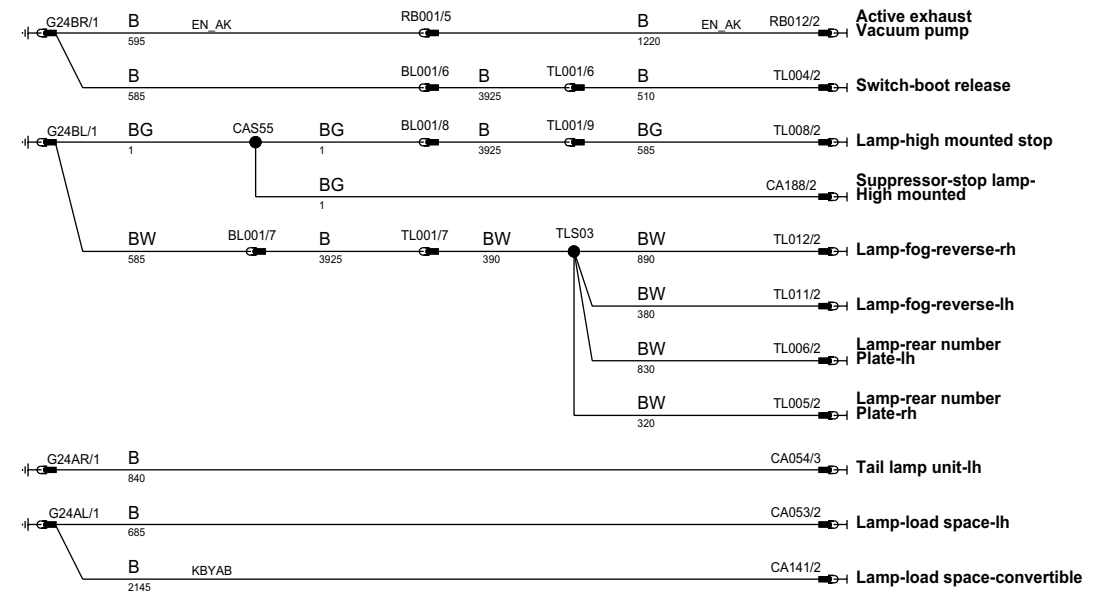
G22 ♦ Wheelarch-rear-lh



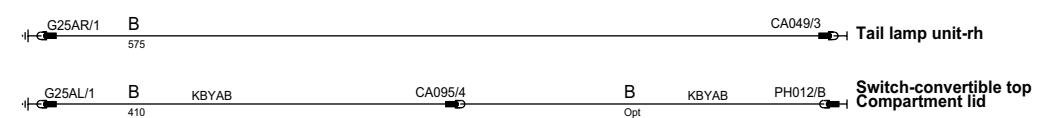
G23 ♦ Wheelarch-rear-rh



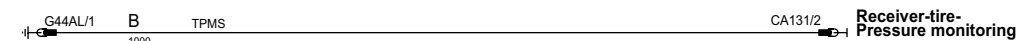
G24 ♦ Lamp-tail-Lh



G25 ♦ Lamp-tail-Lh



G44 ♦ Seatback-rear-center



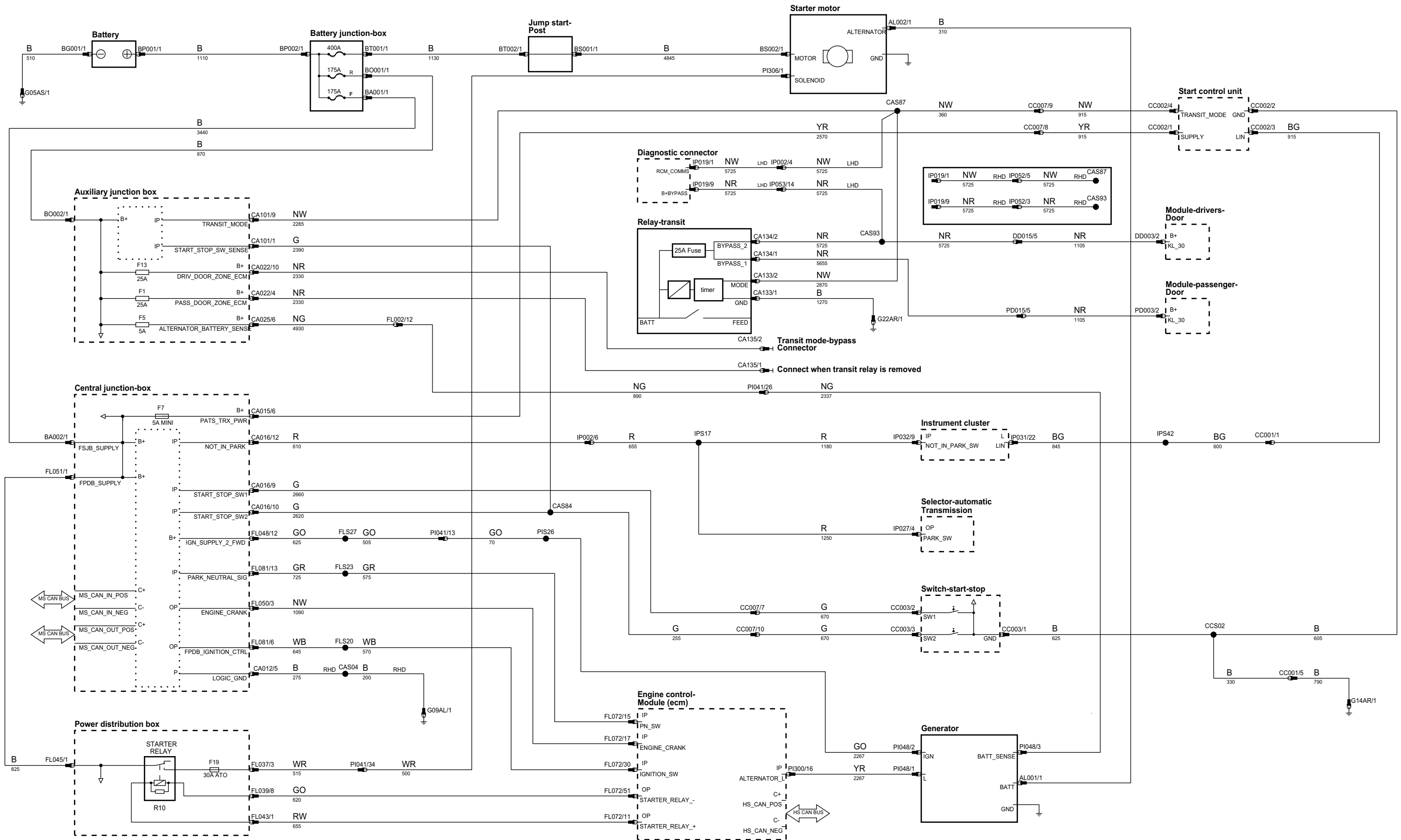
G50 ♦ Trunklid hinge-upper



G51 ♦ Trunklid hinge-lower

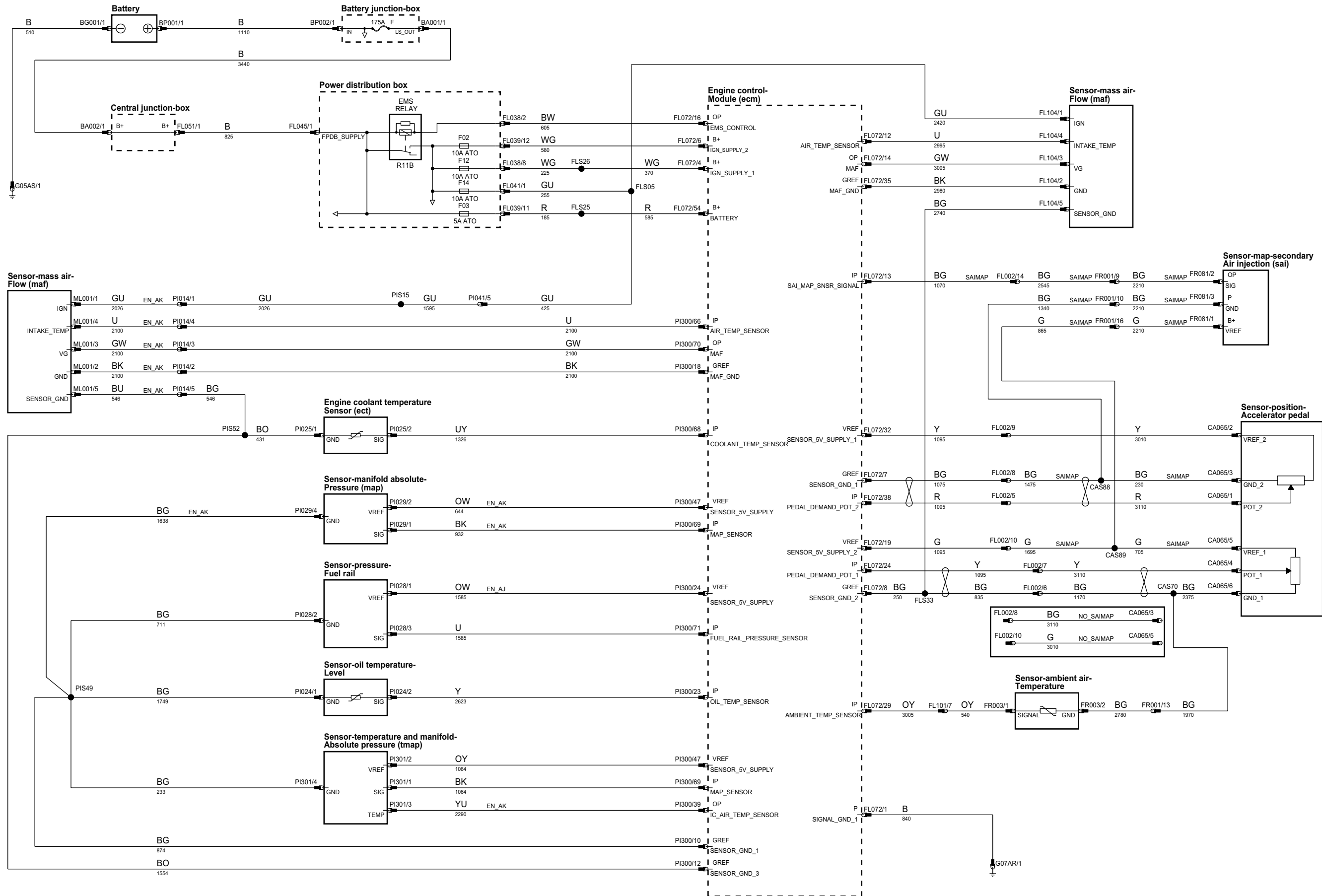
B- Battery Voltage	IP Input	VREF Sensor/Signal Supply V	HS CAN BUS High speed controller area network bus	MOST BUS Media oriented systems transport bus	VARIANT: All
P Power Ground	OP Output	GRES Sensor/Signal Ground	MS CAN BUS Medium speed controller area network bus	D Serial and Encoded Data	VIN RANGE: All
					DATE OF ISSUE: 03/2008

ph7w83-70020-a2-ab



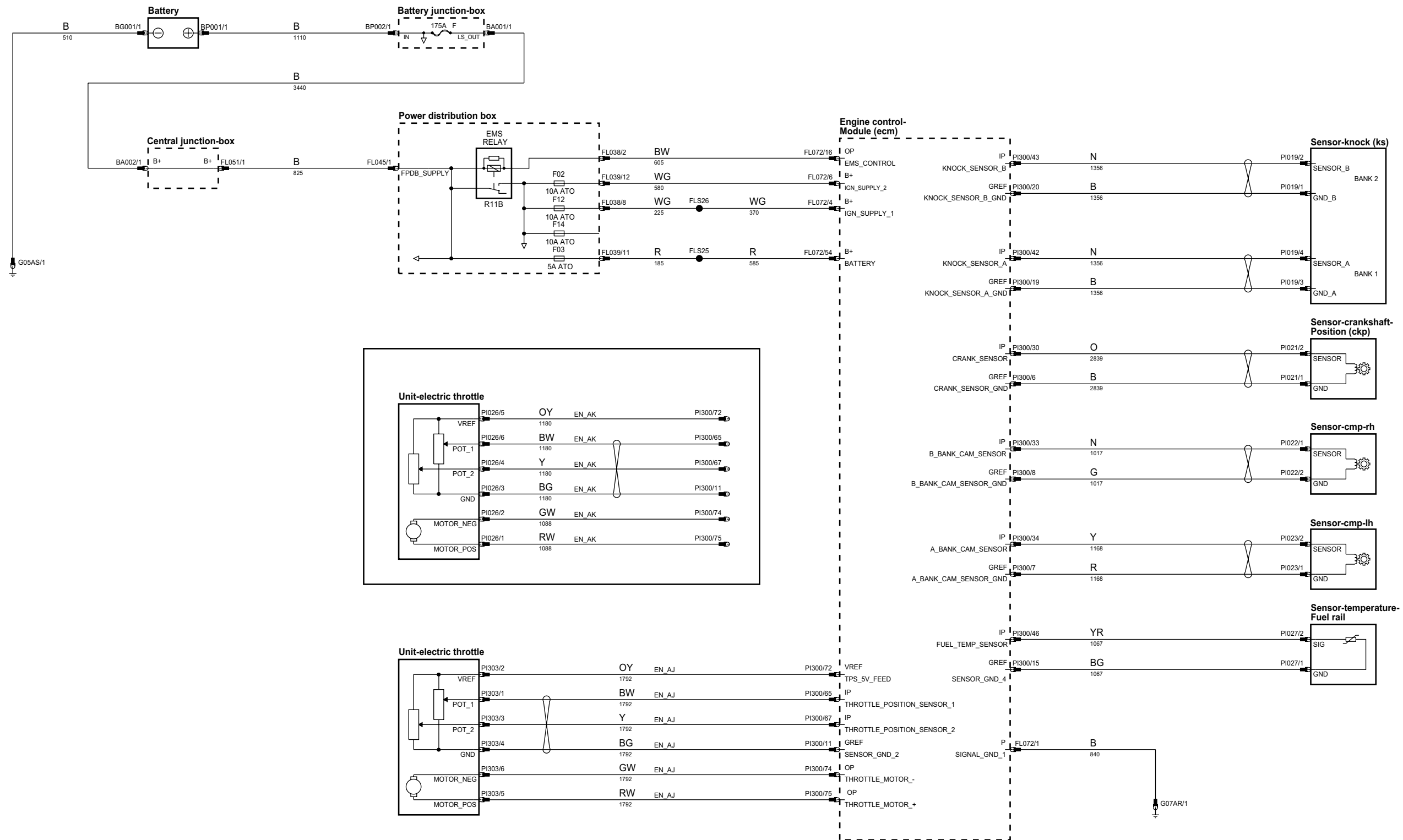
B- Battery Voltage	IP Input	VREF Sensor/Signal Supply V	HS CAN BUS High speed controller area network bus	MOST BUS Media oriented systems transport bus	VARIANT: All
P Power Ground	OP Output	GRF Sensor/Signal Ground	MS CAN BUS Medium speed controller area network bus	D Serial and Encoded Data	VIN RANGE: All
					DATE OF ISSUE: 03/2008

ph7w83-70035-a2-ab



B+ Battery Voltage	IP Input	VREF Sensor/Signal Supply V	HS CAN BUS High speed controller area network bus	MOST BUS Media oriented systems transport bus	VARIANT: All
P Power Ground	OP Output	GRF Sensor/Signal Ground	MS CAN BUS Medium speed controller area network bus	D Serial and Encoded Data	VIN RANGE: All
					DATE OF ISSUE: 03/2008

ph7w83-70035-a3-ab



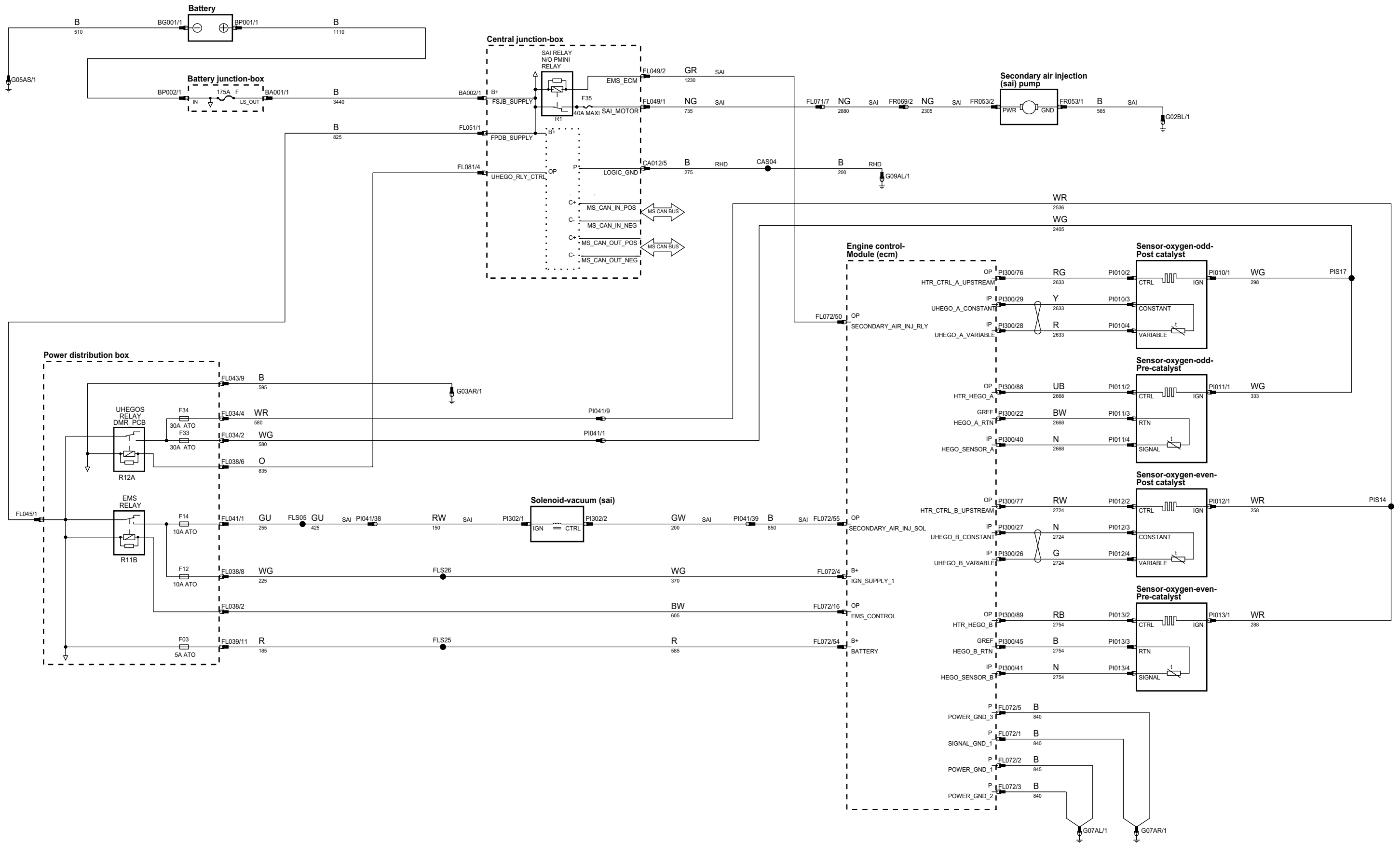
B- Battery Voltage
 P Power Ground
 IP Input
 OP Output
 VREF Sensor/Signal Supply V
 GREF Sensor/Signal Ground

HS CAN BUS High speed controller area network bus
 MS CAN BUS Medium speed controller area network bus

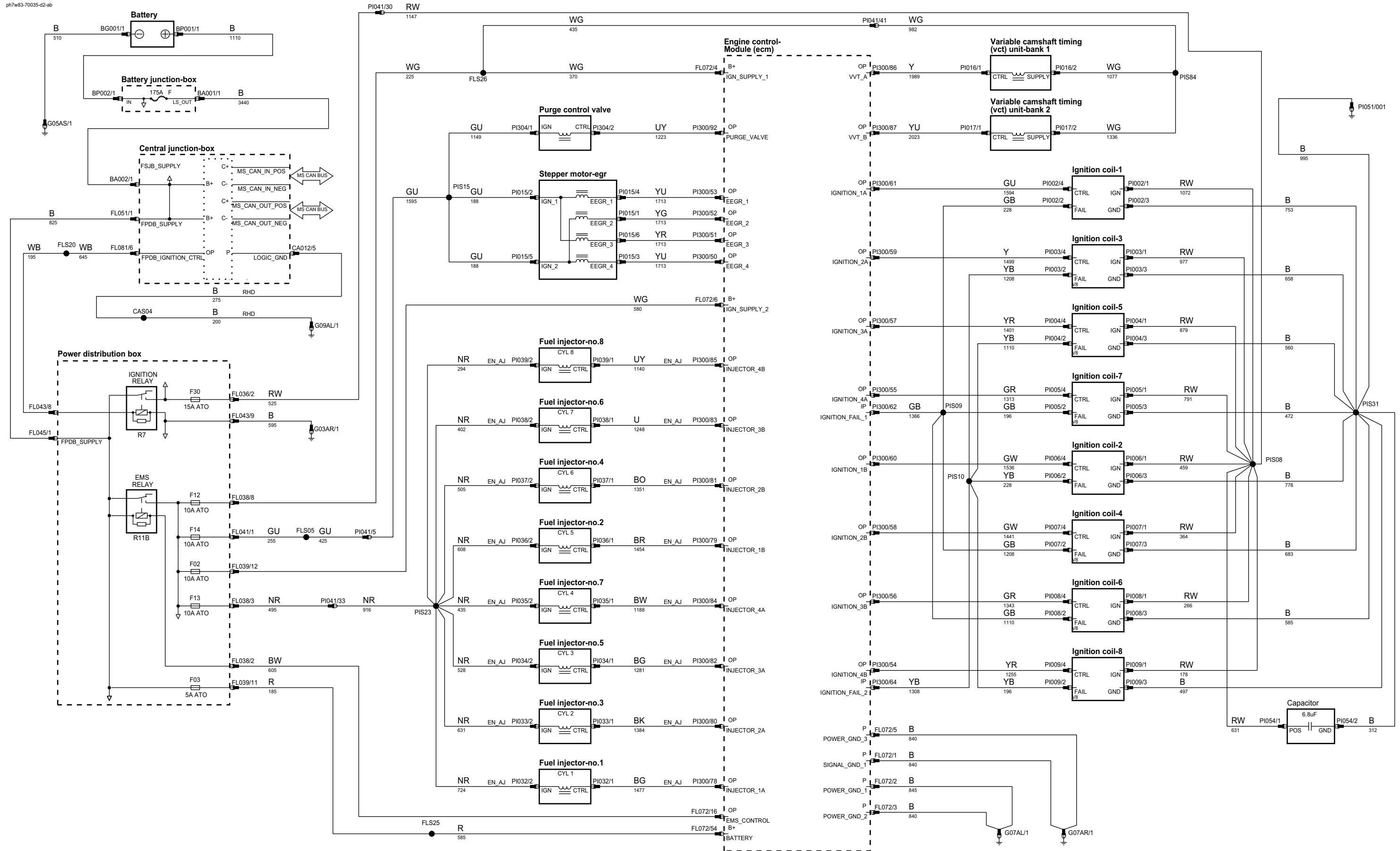
MOST BUS Media oriented systems transport bus
 D Serial and Encoded Data

VARIANT: All
 VIN RANGE: All
 DATE OF ISSUE: 03/2008

ph7w83-70035-b2-ab



B- Battery Voltage	IP Input	VREF Sensor/Signal Supply V	HS CAN BUS High speed controller area network bus	MOST BUS Media oriented systems transport bus	VARIANT: All
P Power Ground	OP Output	GRES Sensor/Signal Ground	MS CAN BUS Medium speed controller area network bus	D Serial and Encoded Data	VIN RANGE: All
					DATE OF ISSUE: 03/2008



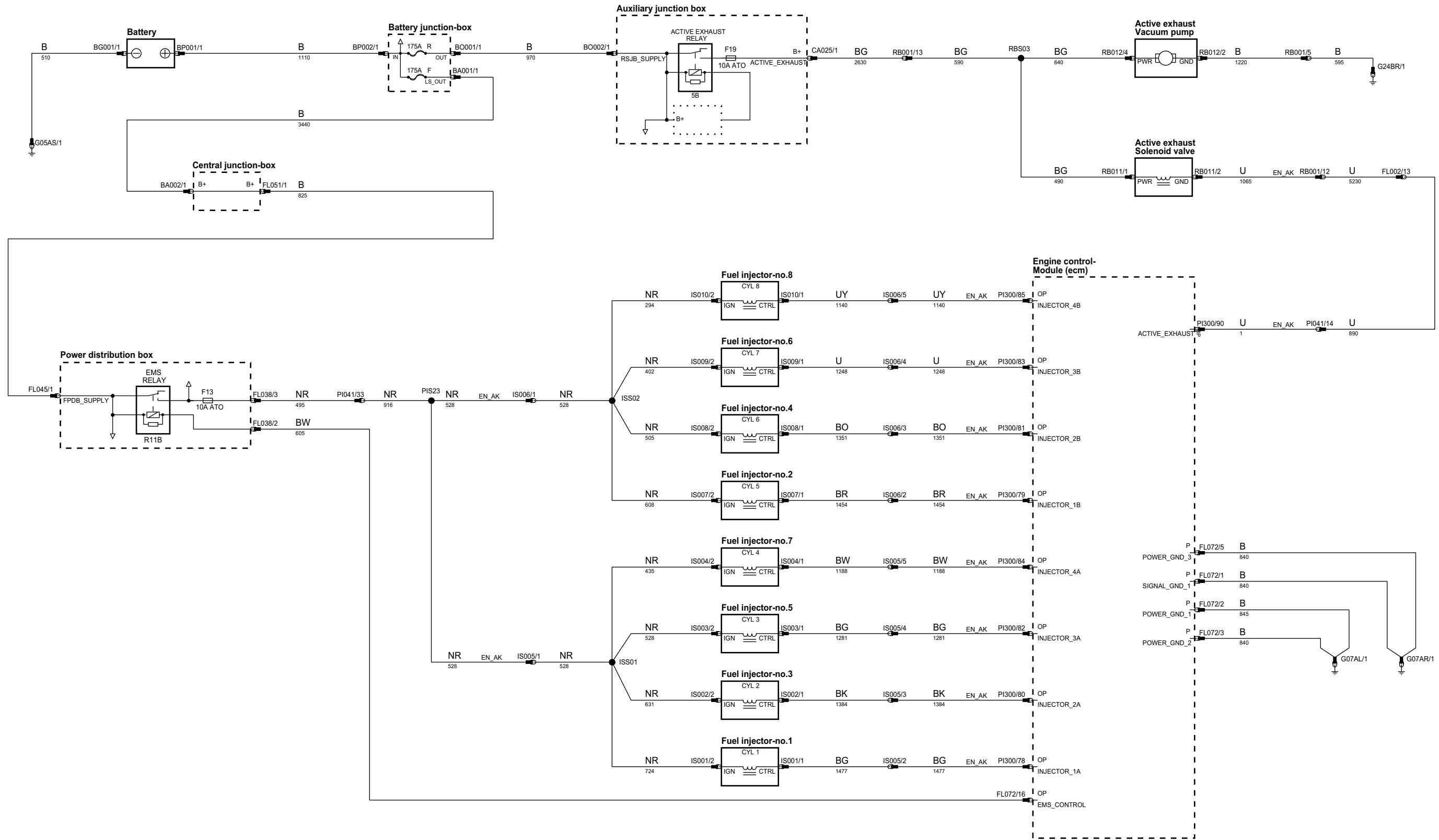
B- Battery Voltage
 P Power Ground
 IP Input
 OP Output
 VREF Sensor/Signal Supply V
 GREF Sensor/Signal Ground

HS CAN BUS High speed controller area network bus
 MS CAN BUS Medium speed controller area network bus

MOST BUS Media oriented systems transport bus
 D Serial and Encoded Data

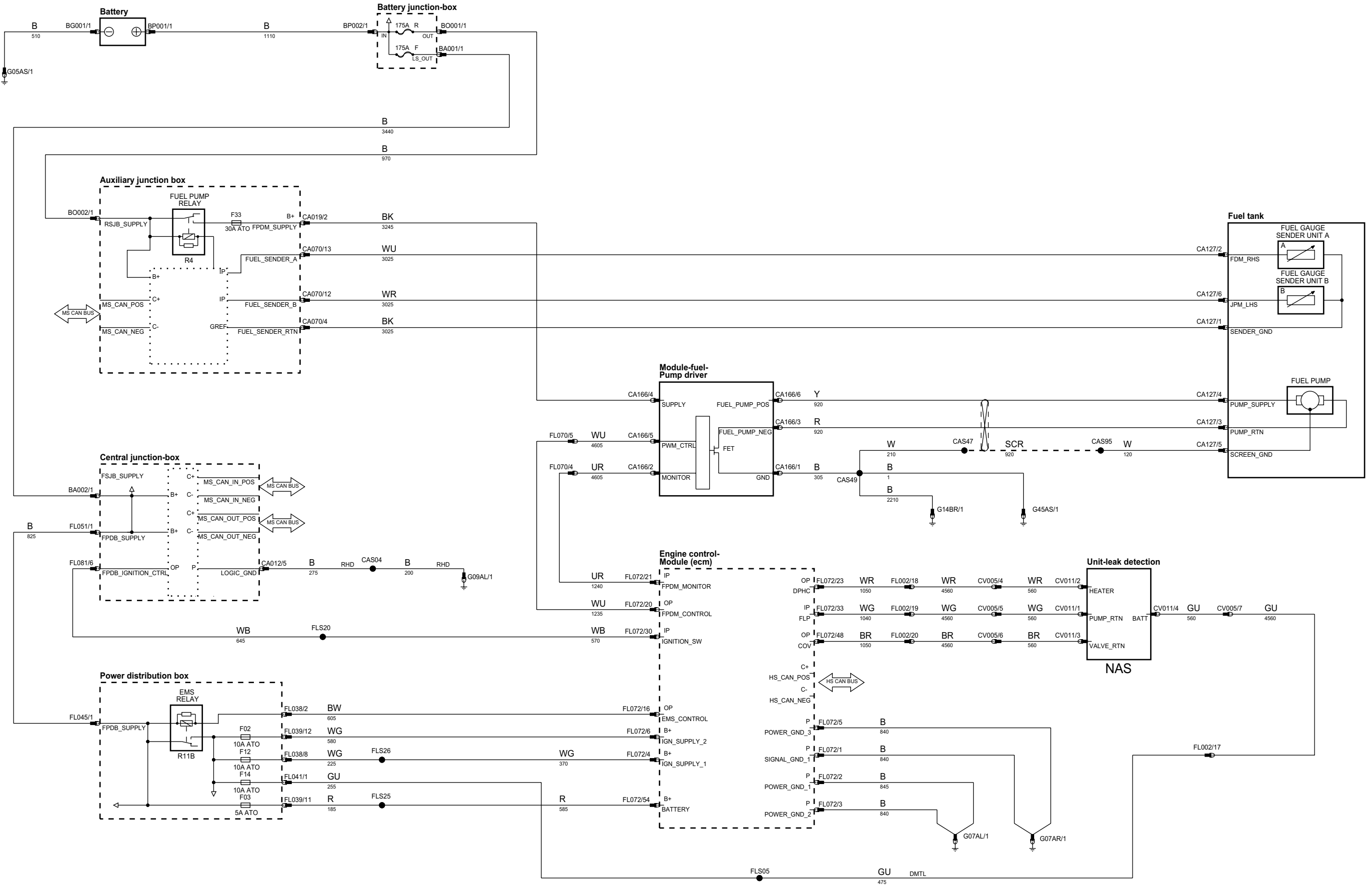
VARIANT: Yes
 VIN RANGE: All
 DATE OF ISSUE: 03/2008

ph7w83-70035-e-ab



B- Battery Voltage	IP Input	VREF Sensor/Signal Supply V	HS CAN BUS High speed controller area network bus	MOST BUS Media oriented systems transport bus	VARIANT: Yes
P Power Ground	OP Output	GRES Sensor/Signal Ground	MS CAN BUS Medium speed controller area network bus	D Serial and Encoded Data	VIN RANGE: All
					DATE OF ISSUE: 03/2008

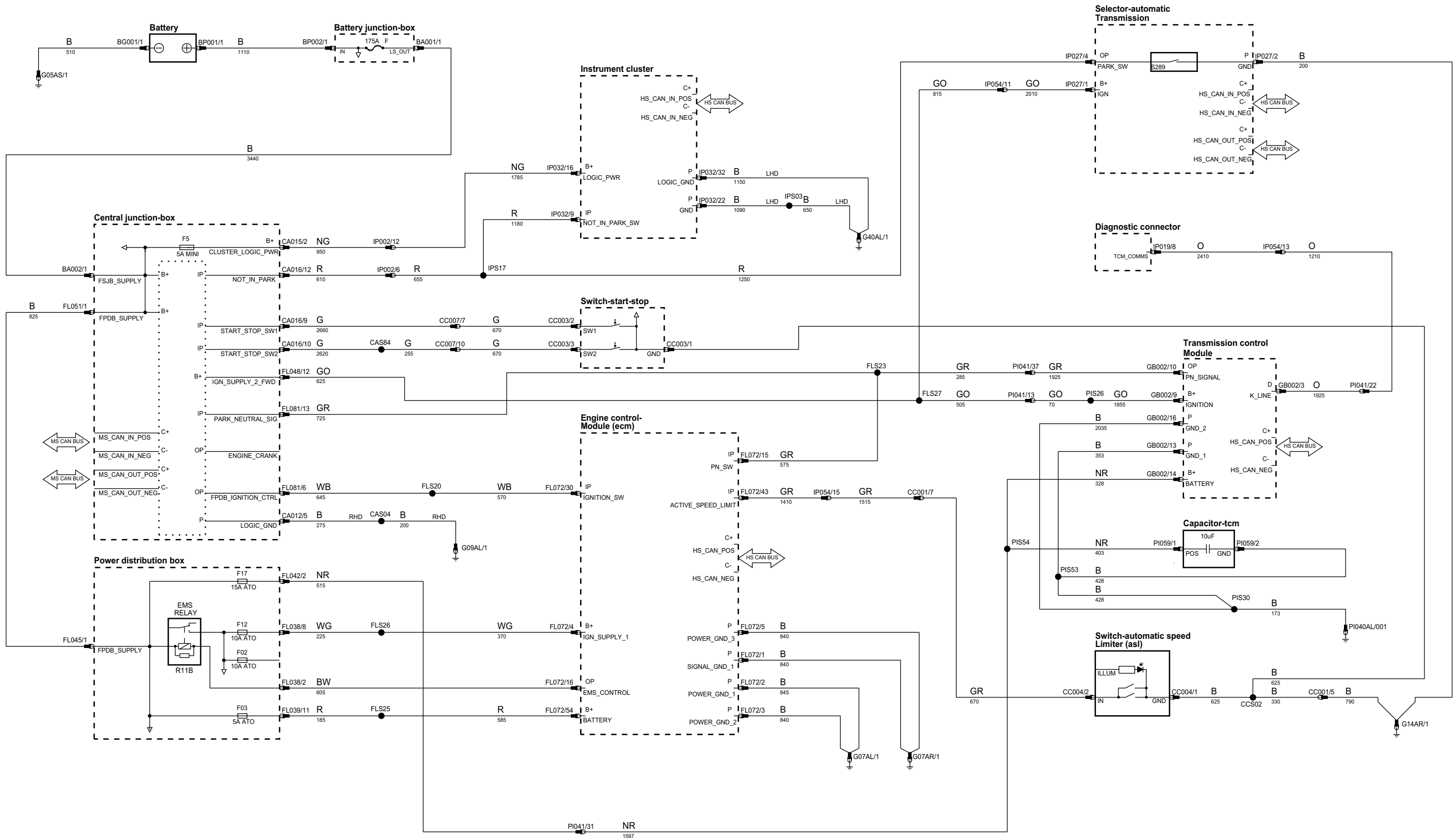
phw83-70035-12-ac



B - Battery Voltage	IP Input	VREF Sensor/Signal Supply V	HS CAN BUS High speed controller area network bus	MOST BUS Media oriented systems transport bus
P Power Ground	OP Output	GRESF Sensor/Signal Ground	MS CAN BUS Medium speed controller area network bus	D Serial and Encoded Data

VARIANT: All
 VIN RANGE: All
 DATE OF ISSUE: 03/2008

ph7w83-70041-a2-ab



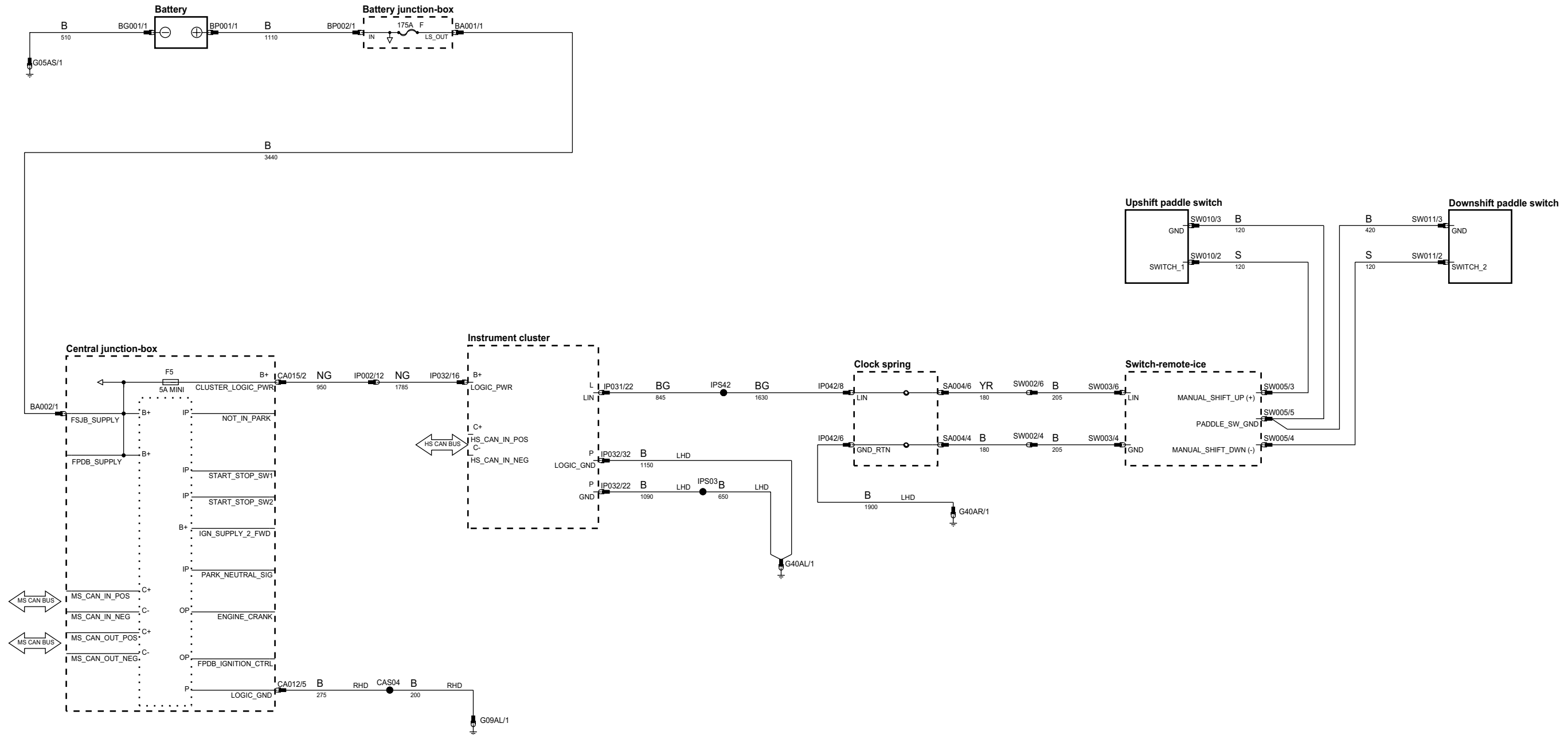
B+ Battery Voltage
 P Power Ground
 IP Input
 OP Output
 VREF Sensor/Signal Supply V
 GREF Sensor/Signal Ground

HS CAN BUS High speed controller area network bus
 MS CAN BUS Medium speed controller area network bus

MOST BUS Media oriented systems transport bus
 D Serial and Encoded Data

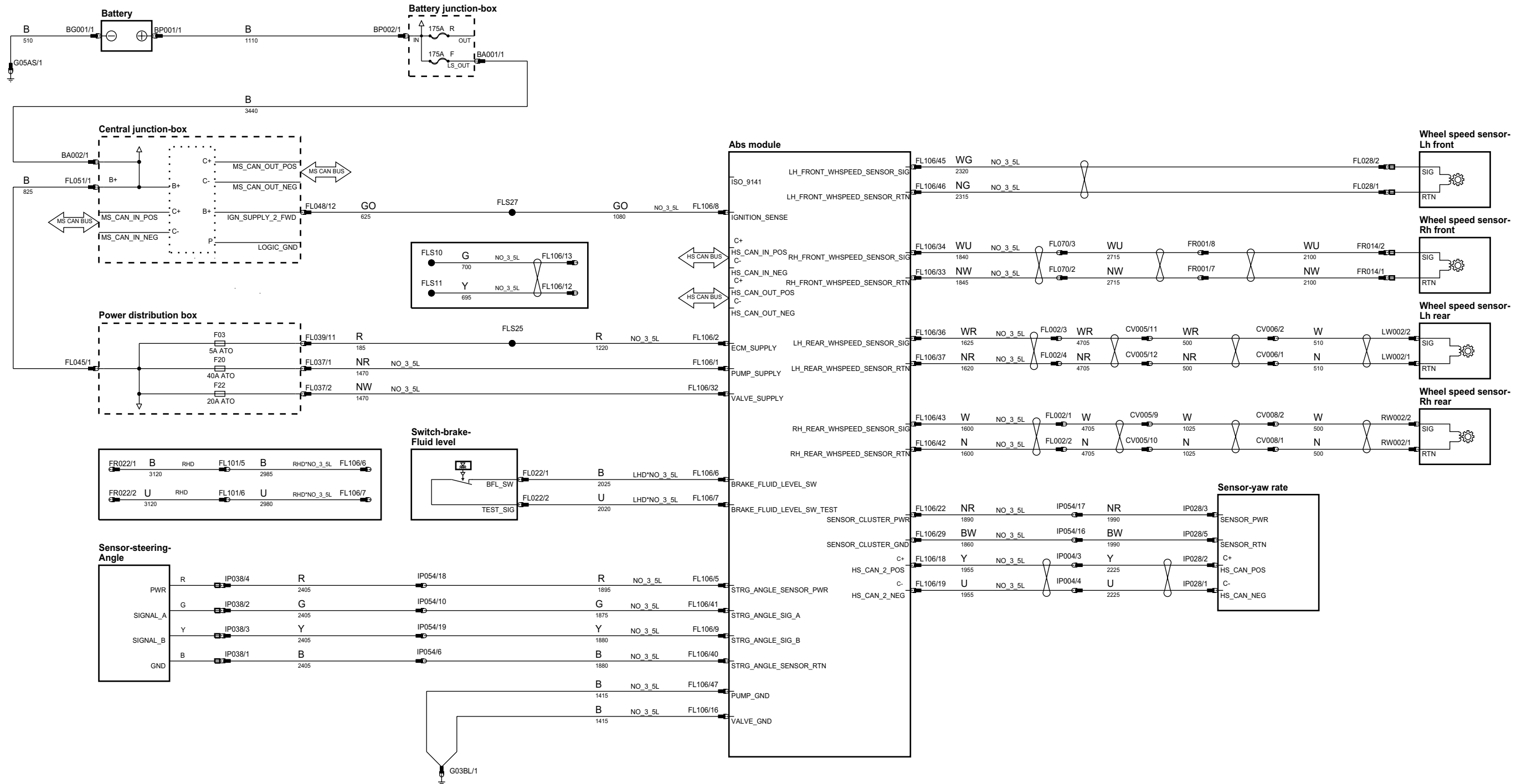
VARIANT: All
 VIN RANGE: All
 DATE OF ISSUE: 03/2008

ph7w83-70041-a3-ab



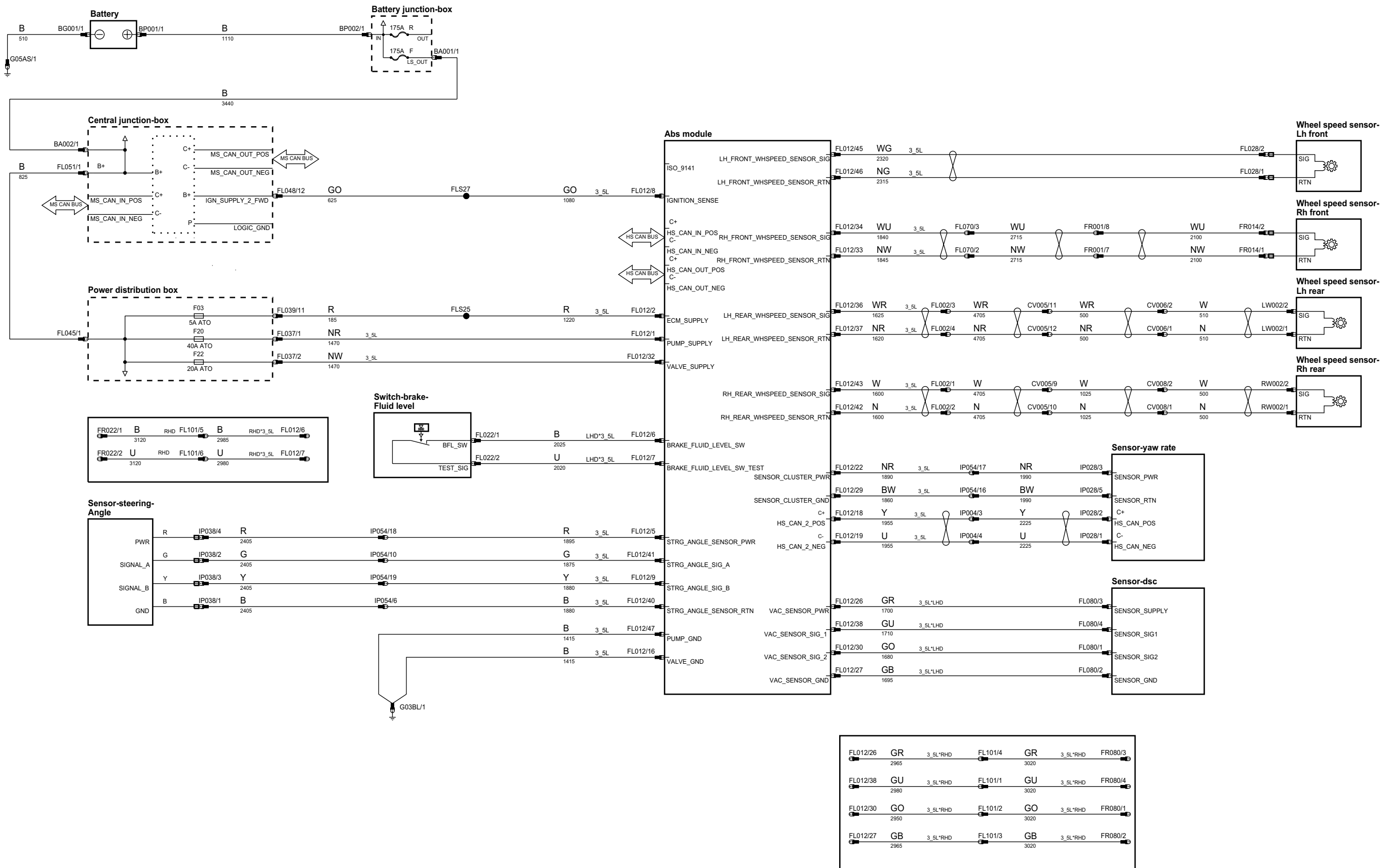
B+ Battery Voltage	IP Input	VREF Sensor/Signal Supply V	HS CAN BUS High speed controller area network bus	MOST BUS Media oriented systems transport bus	VARIANT: All
P Power Ground	OP Output	GRES Sensor/Signal Ground	MS CAN BUS Medium speed controller area network bus	D Serial and Encoded Data	VIN RANGE: All
					DATE OF ISSUE: 03/2008

ph7w83-70165-b2-ab

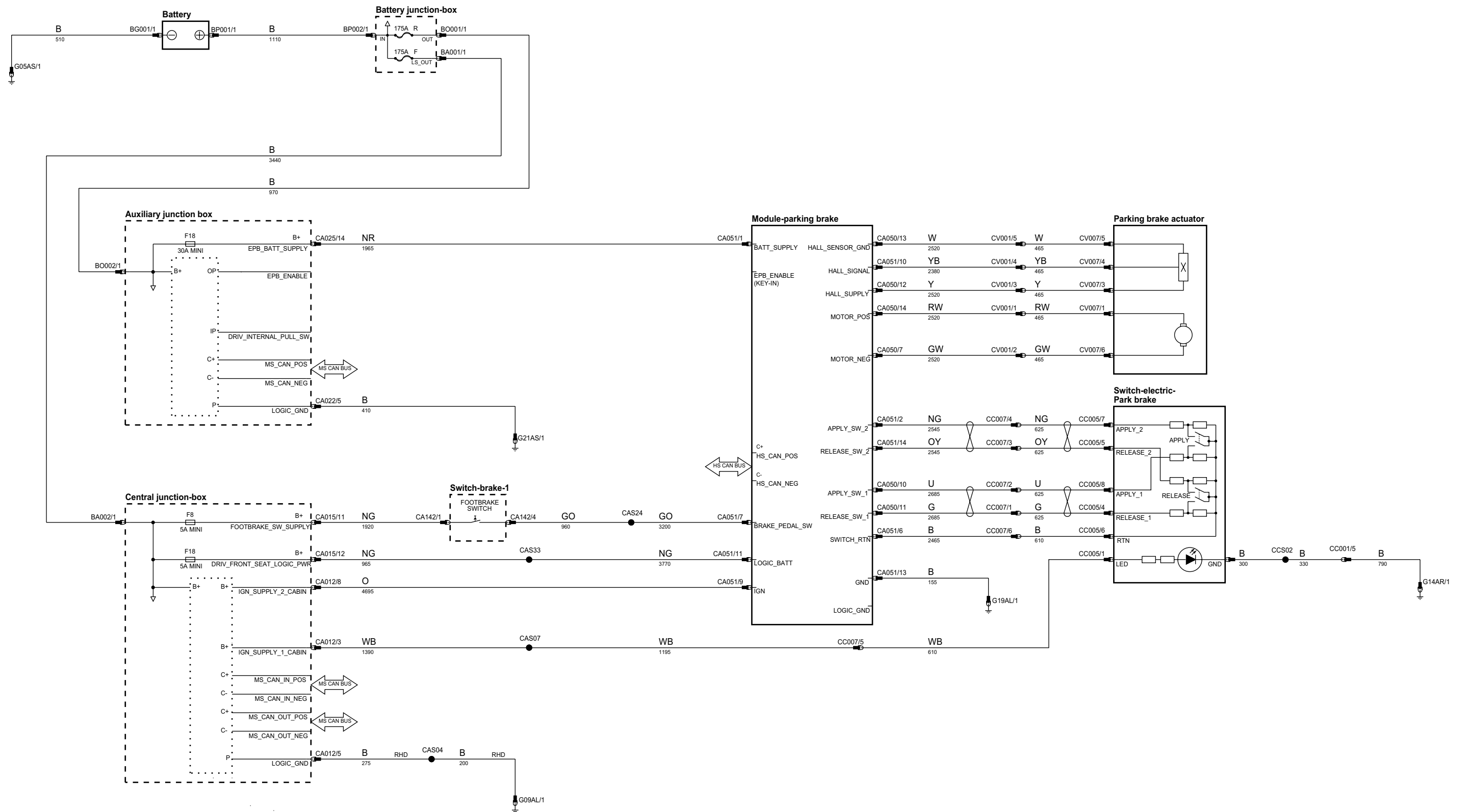


B - Battery Voltage	IP Input	VREF Sensor/Signal Supply V	HS CAN BUS High speed controller area network bus	MOST BUS Media oriented systems transport bus	VARIANT: Yes
P Power Ground	OP Output	GRES Sensor/Signal Ground	MS CAN BUS Medium speed controller area network bus	D Serial and Encoded Data	VIN RANGE: All
					DATE OF ISSUE: 03/2008

ph7w83-70165-a2-ab



phw83-70167-b-ac



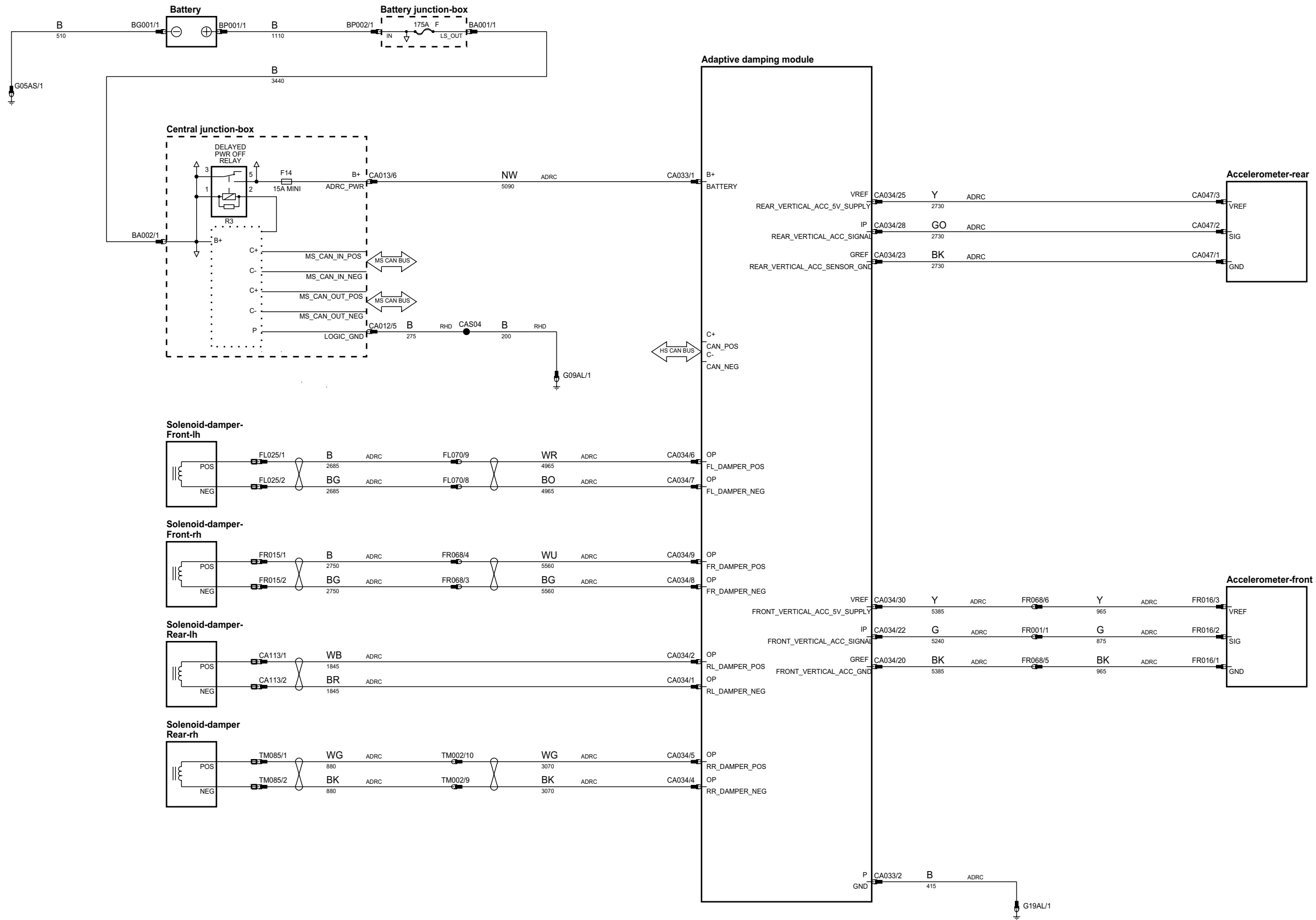
B- Battery Voltage
P Power Ground
IP Input
OP Output
VREF Sensor/Signal Supply V
GREF Sensor/Signal Ground

HS CAN BUS High speed controller area network bus
MS CAN BUS Medium speed controller area network bus

MOST BUS Media oriented systems transport bus
D Serial and Encoded Data

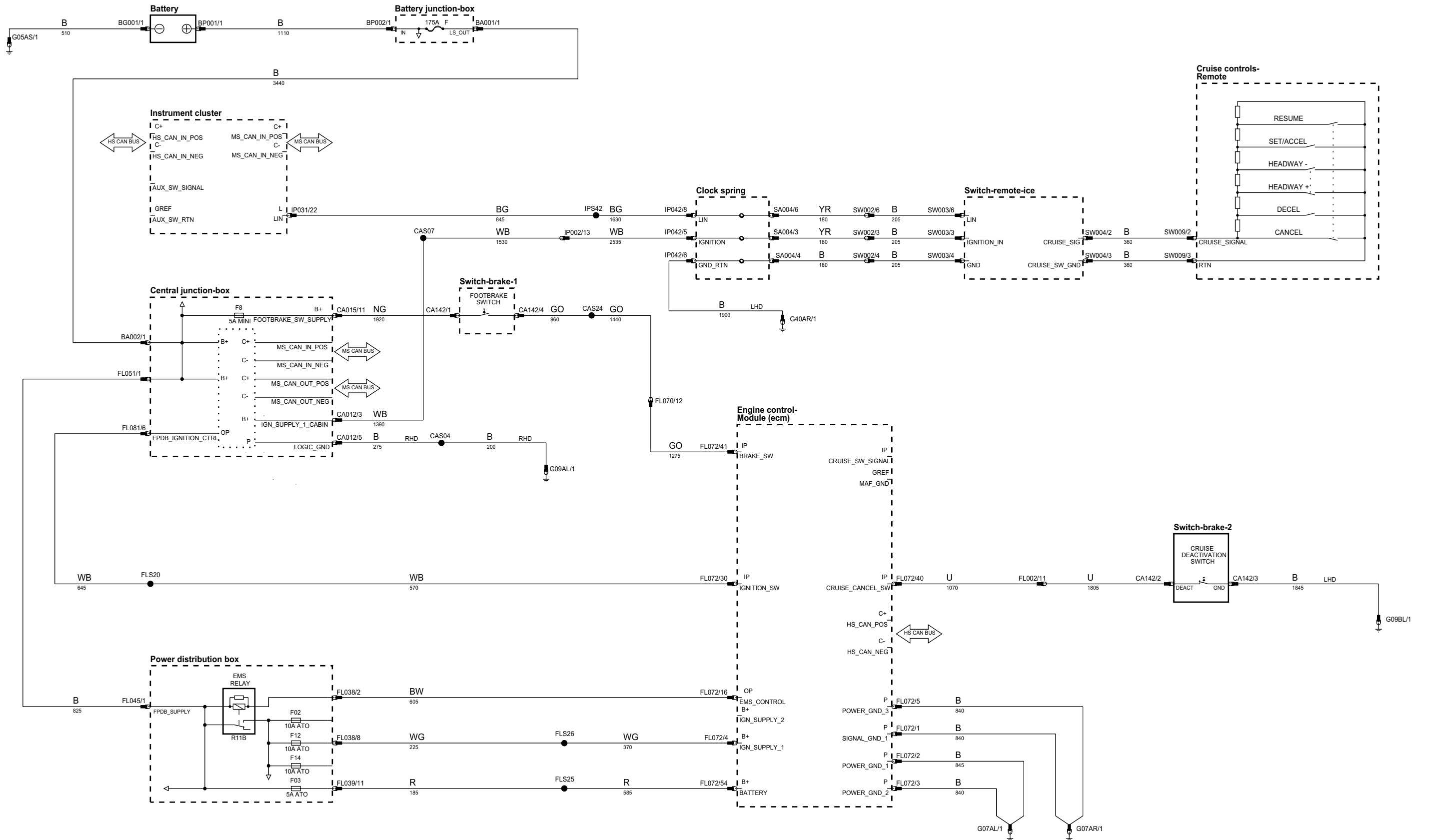
VARIANT: All
VIN RANGE: All
DATE OF ISSUE: 03/2008

ph7w83-70181-a2-ab



B+ Battery Voltage	IP Input	VREF Sensor/Signal Supply V	HS CAN BUS High speed controller area network bus	MOST BUS Media oriented systems transport bus	VARIANT: Yes
P Power Ground	OP Output	GREF Sensor/Signal Ground	MS CAN BUS Medium speed controller area network bus	D Serial and Encoded Data	VIN RANGE: All
					DATE OF ISSUE: 03/2008

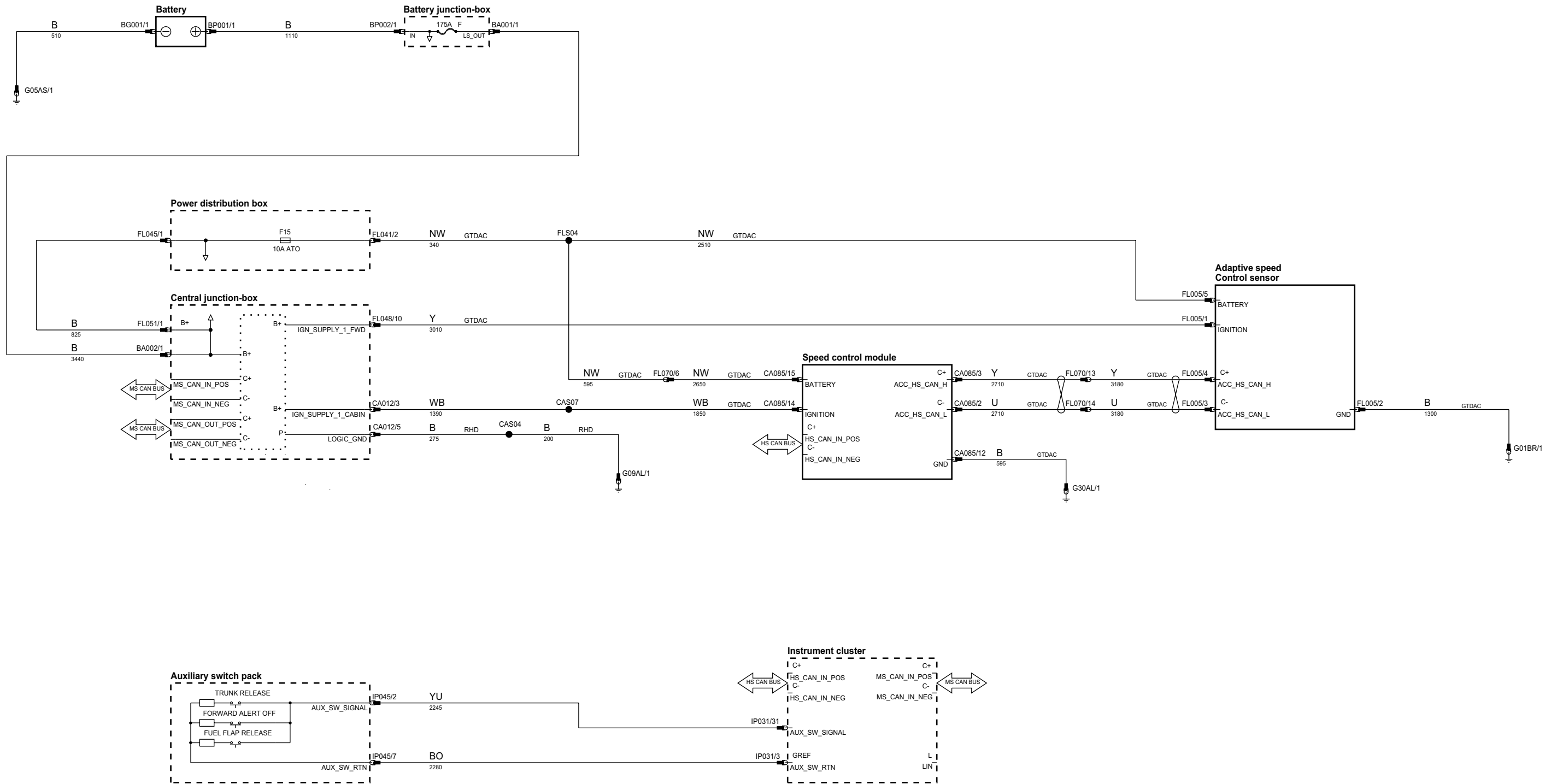
ph7w83-70190-a2-ab



B - Battery Voltage	IP Input	VREF Sensor/Signal Supply V	HS CAN BUS High speed controller area network bus	MOST BUS Media oriented systems transport bus
P Power Ground	OP Output	GRES Sensor/Signal Ground	MS CAN BUS Medium speed controller area network bus	D Serial and Encoded Data

VARIANT: Yes
VIN RANGE: All
DATE OF ISSUE: 03/2008

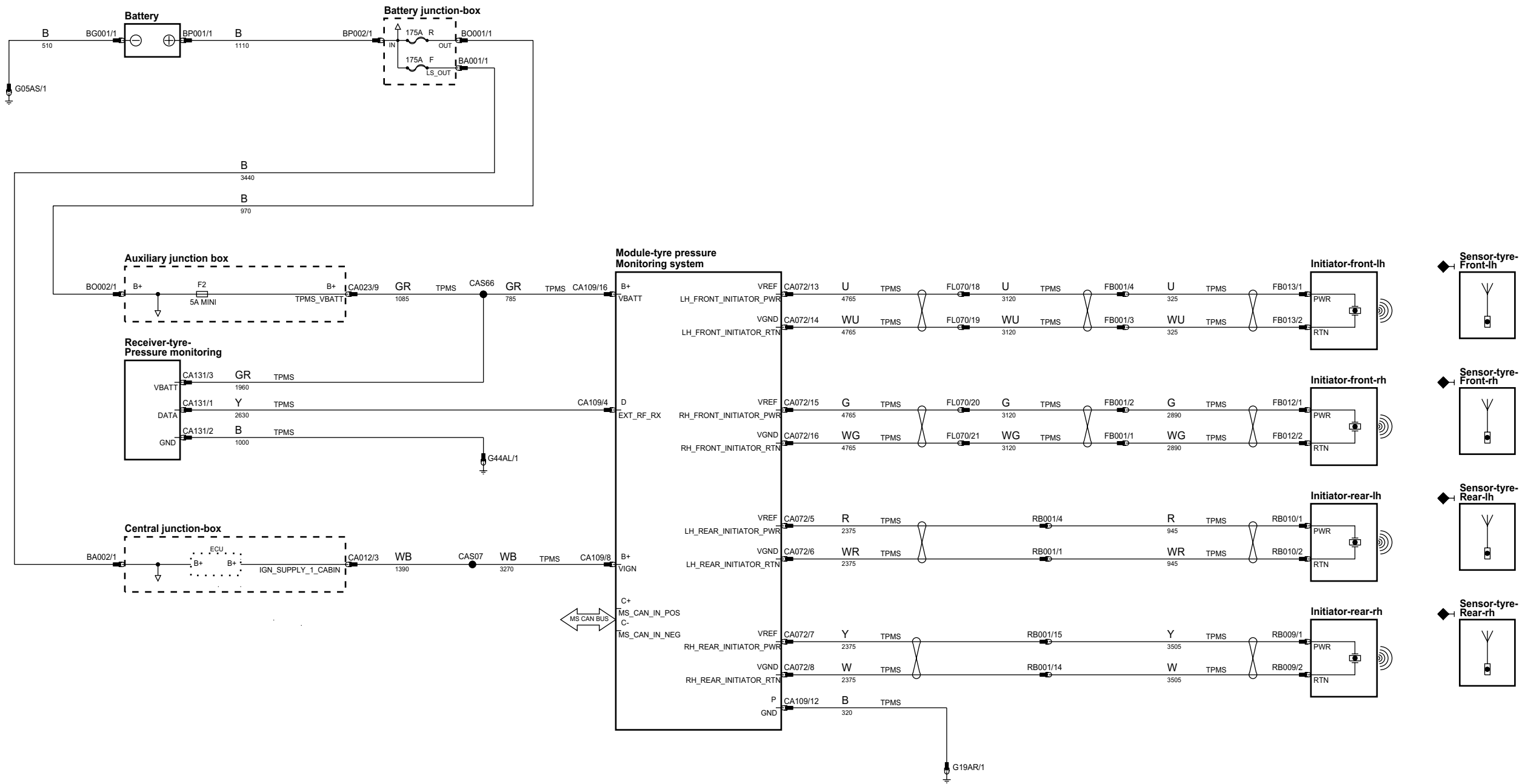
ph7w83-70486-a-ab



B+ Battery Voltage	IP Input	VREF Sensor/Signal Supply V	HS CAN BUS High speed controller area network bus	MOST BUS Media oriented systems transport bus	VARIANT: Yes
P Power Ground	OP Output	GREF Sensor/Signal Ground	MS CAN BUS Medium speed controller area network bus	D Serial and Encoded Data	VIN RANGE: All
					DATE OF ISSUE: 03/2008

x

ph0w83-70267-a-ac



B- Battery Voltage
P Power Ground

IP Input
OP Output

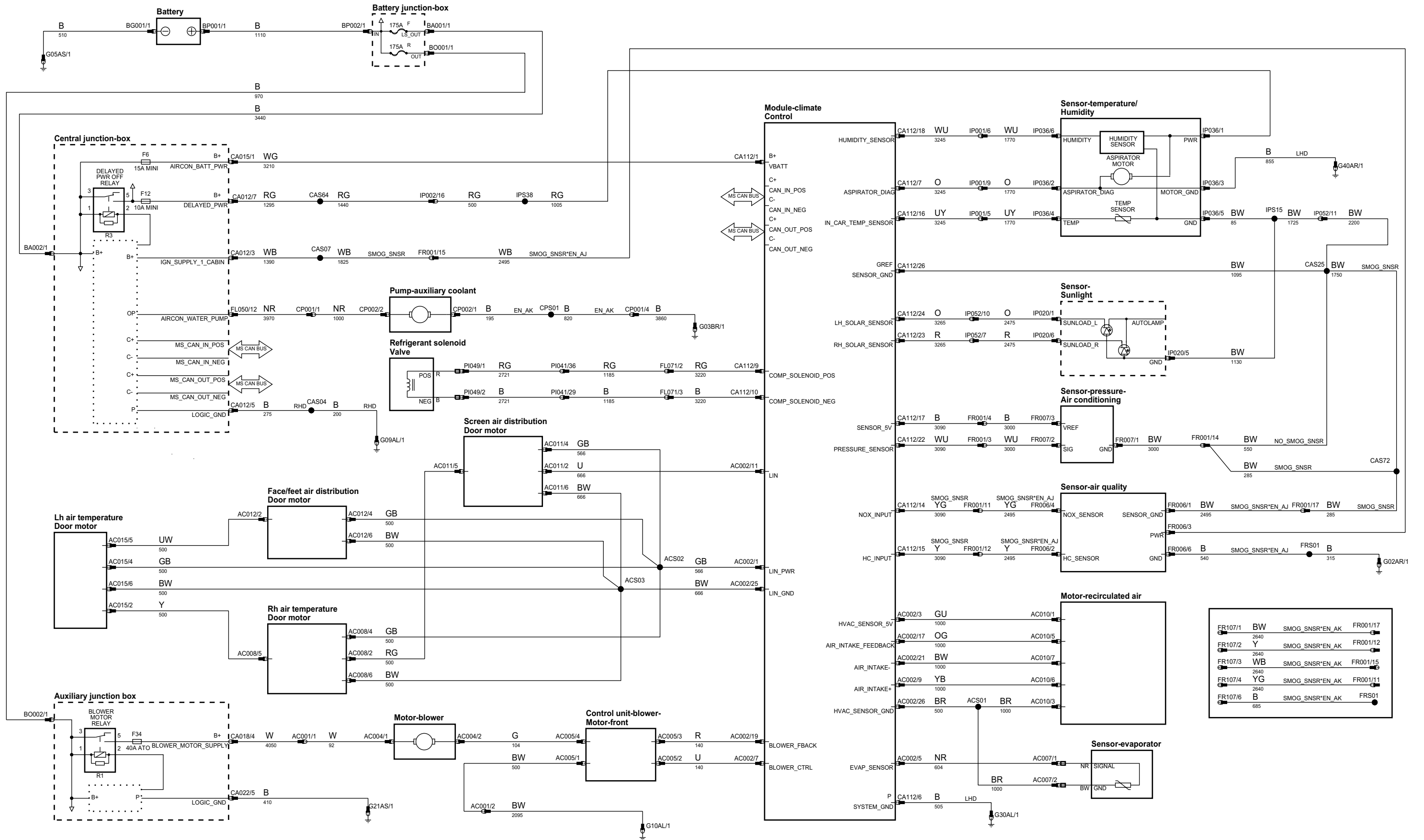
VREF Sensor/Signal Supply V
GREF Sensor/Signal Ground

HS CAN BUS High speed controller area network bus
MS CAN BUS Medium speed controller area network bus

MOST BUS Media oriented systems transport bus
D Serial and Encoded Data

VARIANT: Yes
VIN RANGE: All
DATE OF ISSUE: 03/2008

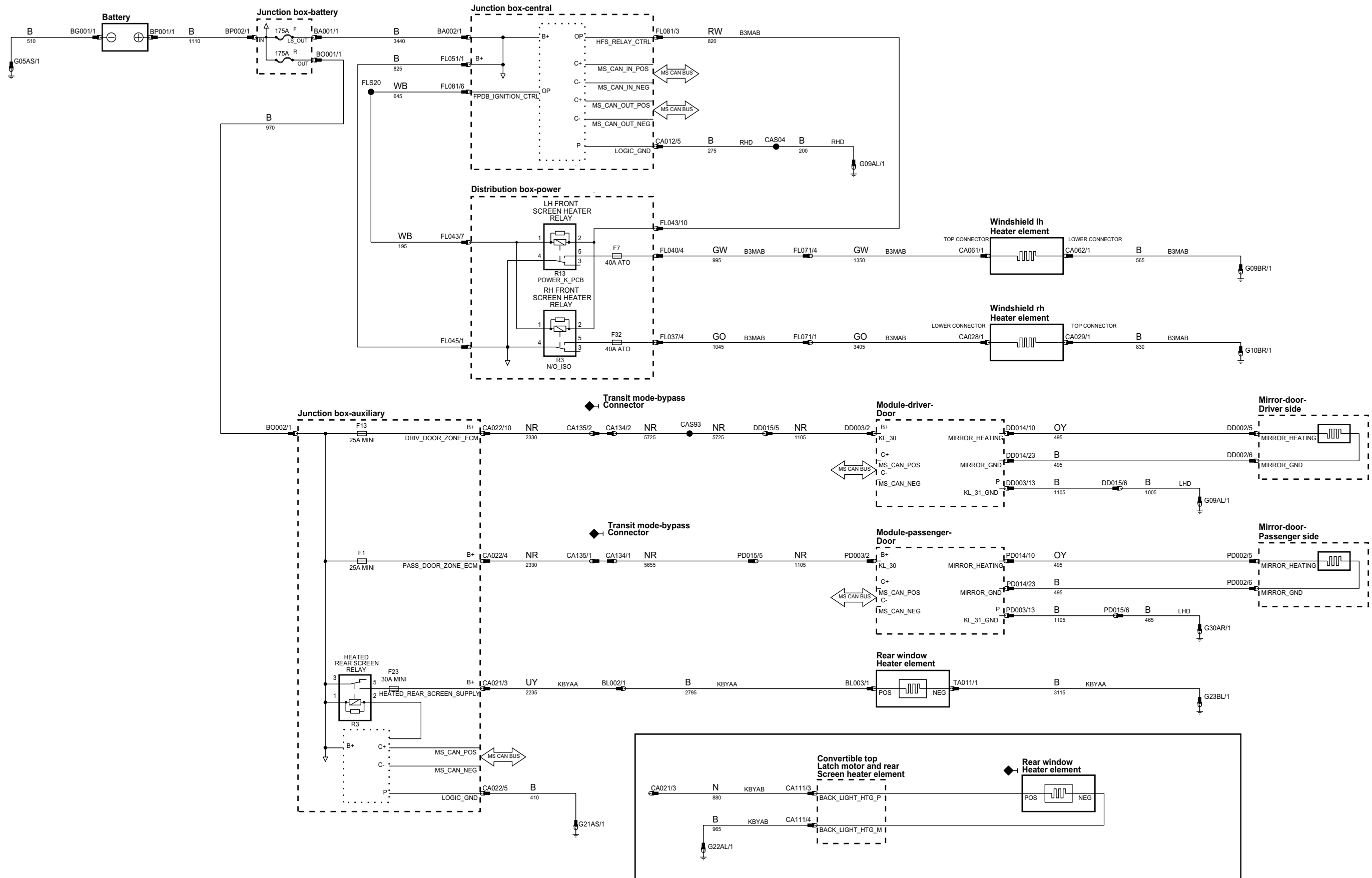
ph8w83-70300-b2-ac



B- Battery Voltage	IP Input	VREF Sensor/Signal Supply V	HS CAN BUS High speed controller area network bus	MOST BUS Media oriented systems transport bus	VARIANT: All
P Power Ground	OP Output	GRES Sensor/Signal Ground	MS CAN BUS Medium speed controller area network bus	D Serial and Encoded Data	VIN RANGE: All
					DATE OF ISSUE: 03/2008

FR107/1	BW	SMOG_SNSR*EN_AK	FR001/17
FR107/2	Y	SMOG_SNSR*EN_AK	FR001/12
FR107/3	WB	SMOG_SNSR*EN_AK	FR001/15
FR107/4	YG	SMOG_SNSR*EN_AK	FR001/11
FR107/6	B	SMOG_SNSR*EN_AK	FRS01

ph8w83-70148-a2-ac



B- Battery Voltage
P Power Ground

IP Input
OP Output

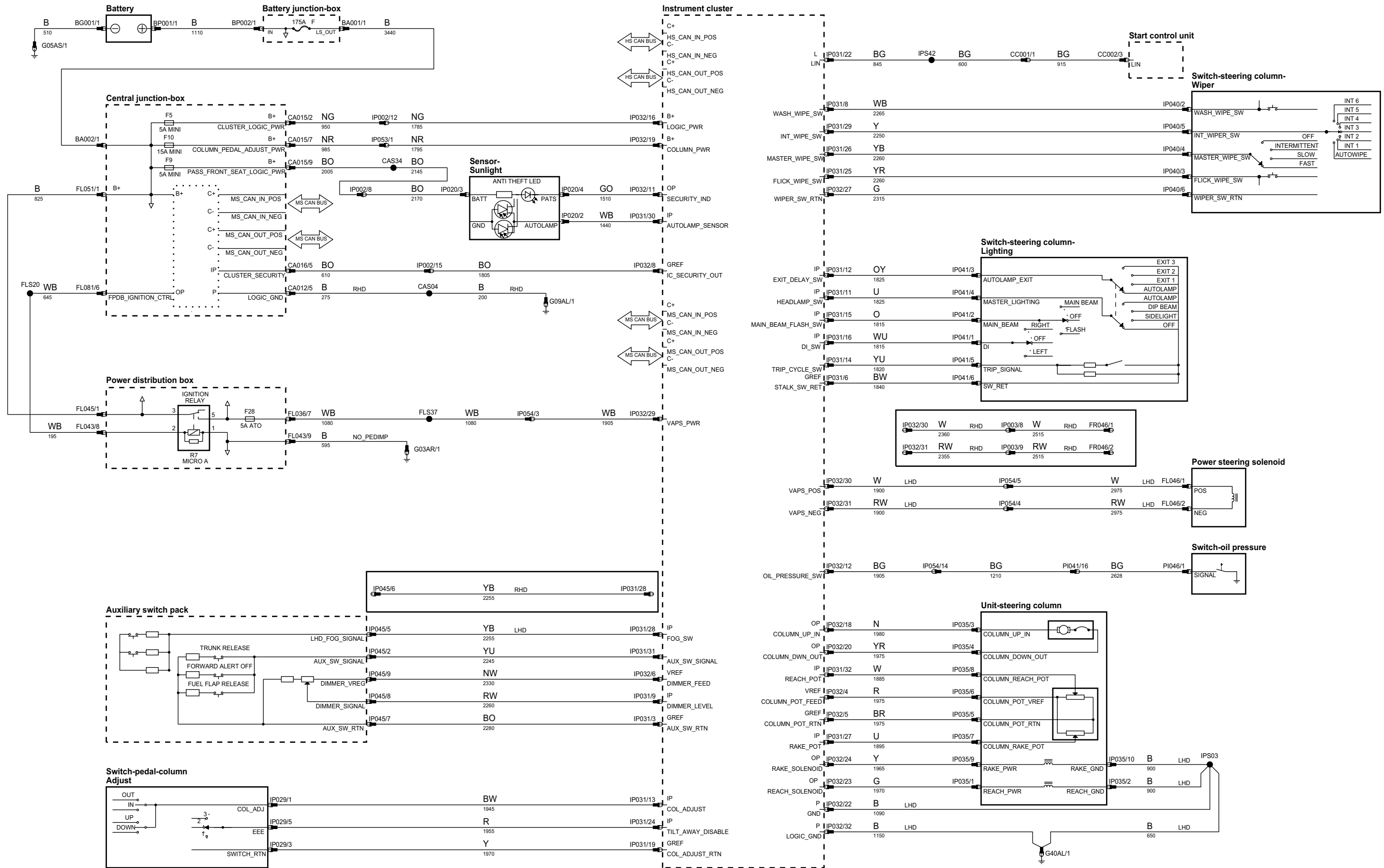
VREF Sensor/Signal Supply V
GREF Sensor/Signal Ground

HS CAN BUS High speed controller area network bus
MS CAN BUS Medium speed controller area network bus

MOST BUS Media oriented systems transport bus
D Serial and Encoded Data

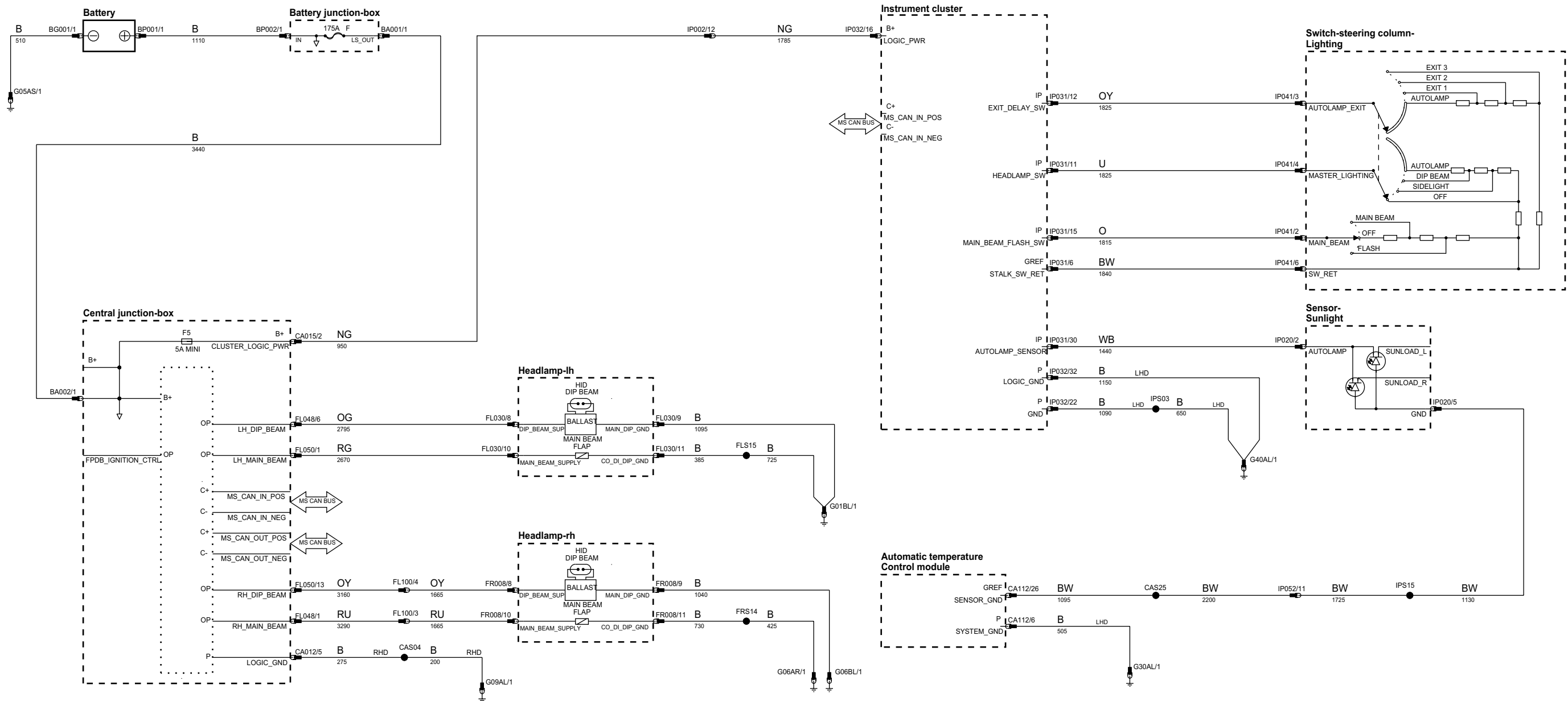
VARIANT: All
VIN RANGE: All
DATE OF ISSUE: 03/2008

ph7w83-70210-a-ab



B+ Battery Voltage	IP Input	VREF Sensor/Signal Supply V	HS CAN BUS High speed controller area network bus	MOST BUS Media oriented systems transport bus	VARIANT: All
P Power Ground	OP Output	GRESF Sensor/Signal Ground	MS CAN BUS Medium speed controller area network bus	D Serial and Encoded Data	VIN RANGE: All
					DATE OF ISSUE: 03/2008

ph7w83-70061-b-ab



B- Battery Voltage
P Power Ground

IP Input
OP Output

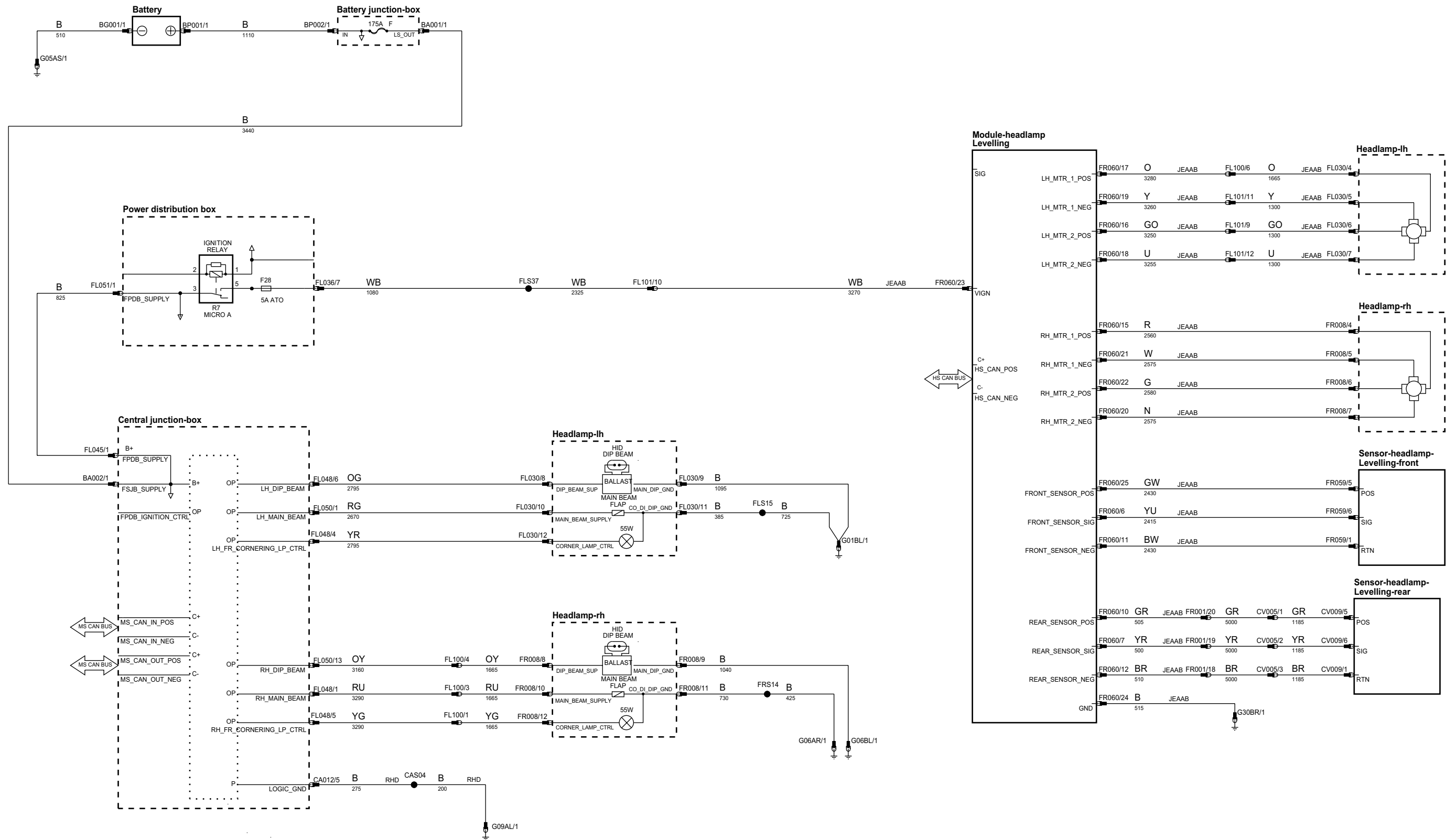
VREF Sensor/Signal Supply V
GREF Sensor/Signal Ground

HS CAN BUS High speed controller area network bus
MS CAN BUS Medium speed controller area network bus

MOST BUS Media oriented systems transport bus
D Serial and Encoded Data

VARIANT: All
VIN RANGE: All
DATE OF ISSUE: 03/2008

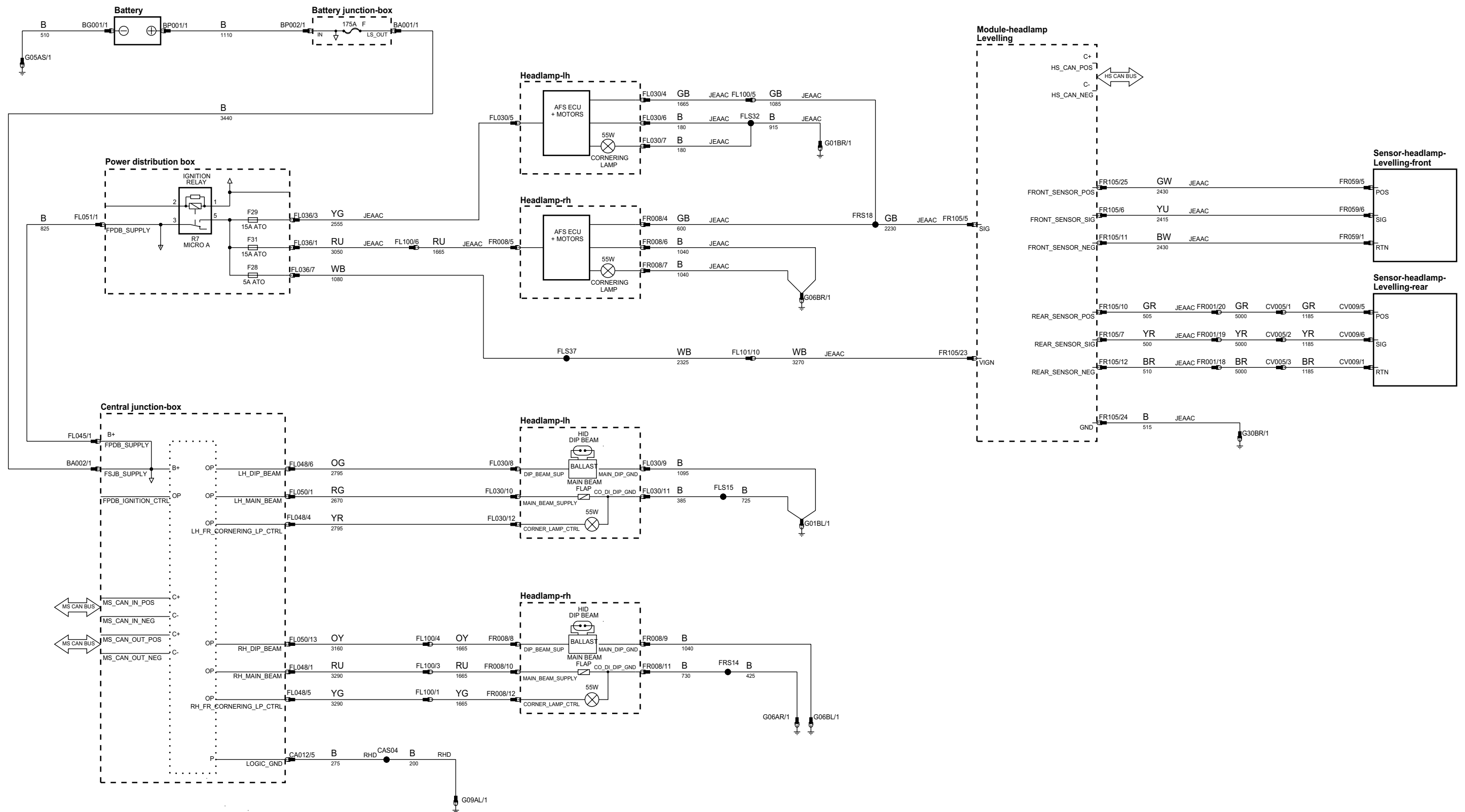
ph7w83-70066-a-ab



B+ Battery Voltage	IP Input	VREF Sensor/Signal Supply V	HS CAN BUS High speed controller area network bus	MOST BUS Media oriented systems transport bus
P Power Ground	OP Output	GRES Sensor/Signal Ground	MS CAN BUS Medium speed controller area network bus	D Serial and Encoded Data

VARIANT: HID Headlamp
VIN RANGE: All
DATE OF ISSUE: 03/2008

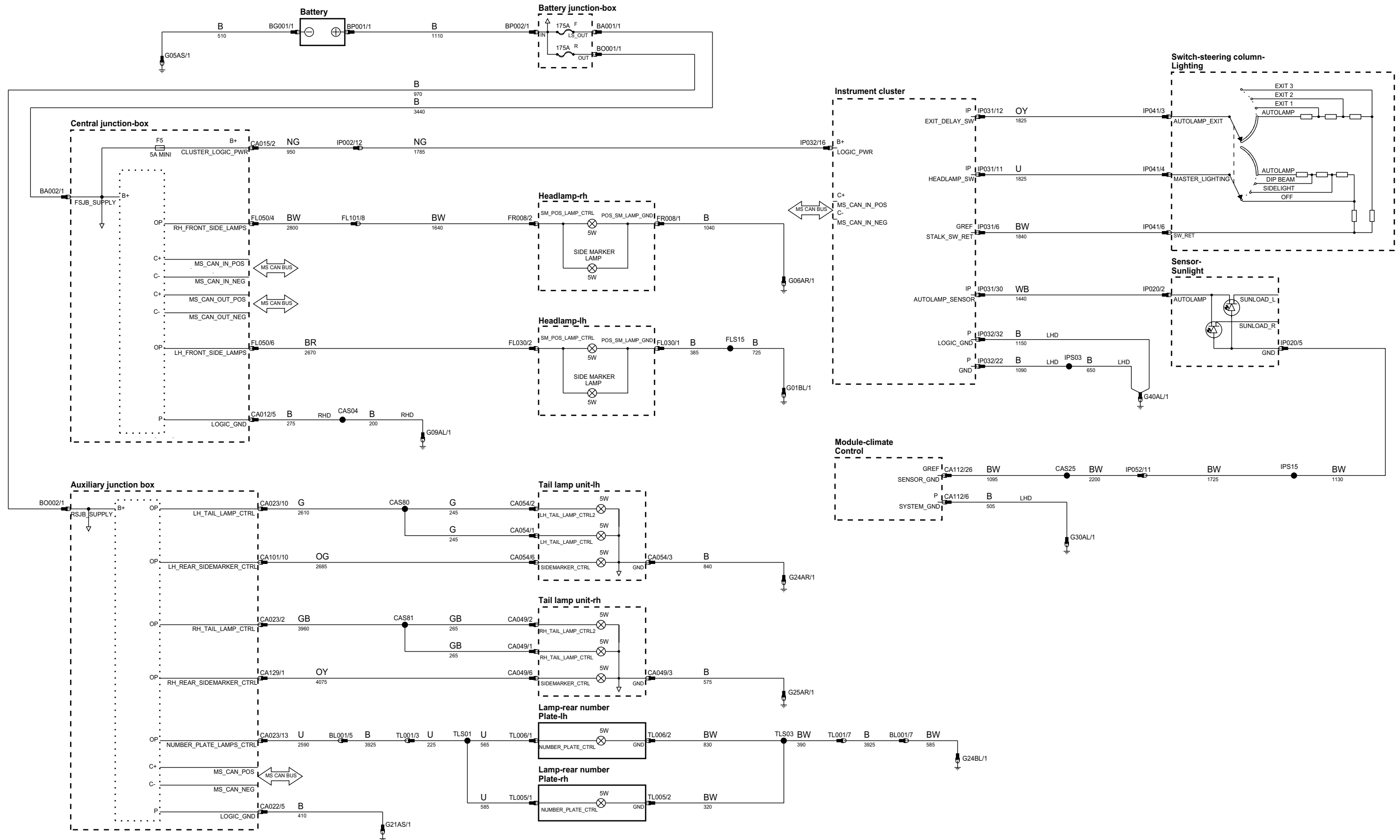
ph7w83-70066-b-ab



B - Battery Voltage	IP Input	VREF Sensor/Signal Supply V	HS CAN BUS High speed controller area network bus	MOST BUS Media oriented systems transport bus
P Power Ground	OP Output	GRF Sensor/Signal Ground	MS CAN BUS Medium speed controller area network bus	D Serial and Encoded Data

VARIANT: HID Headlamp
VIN RANGE: All
DATE OF ISSUE: 03/2008

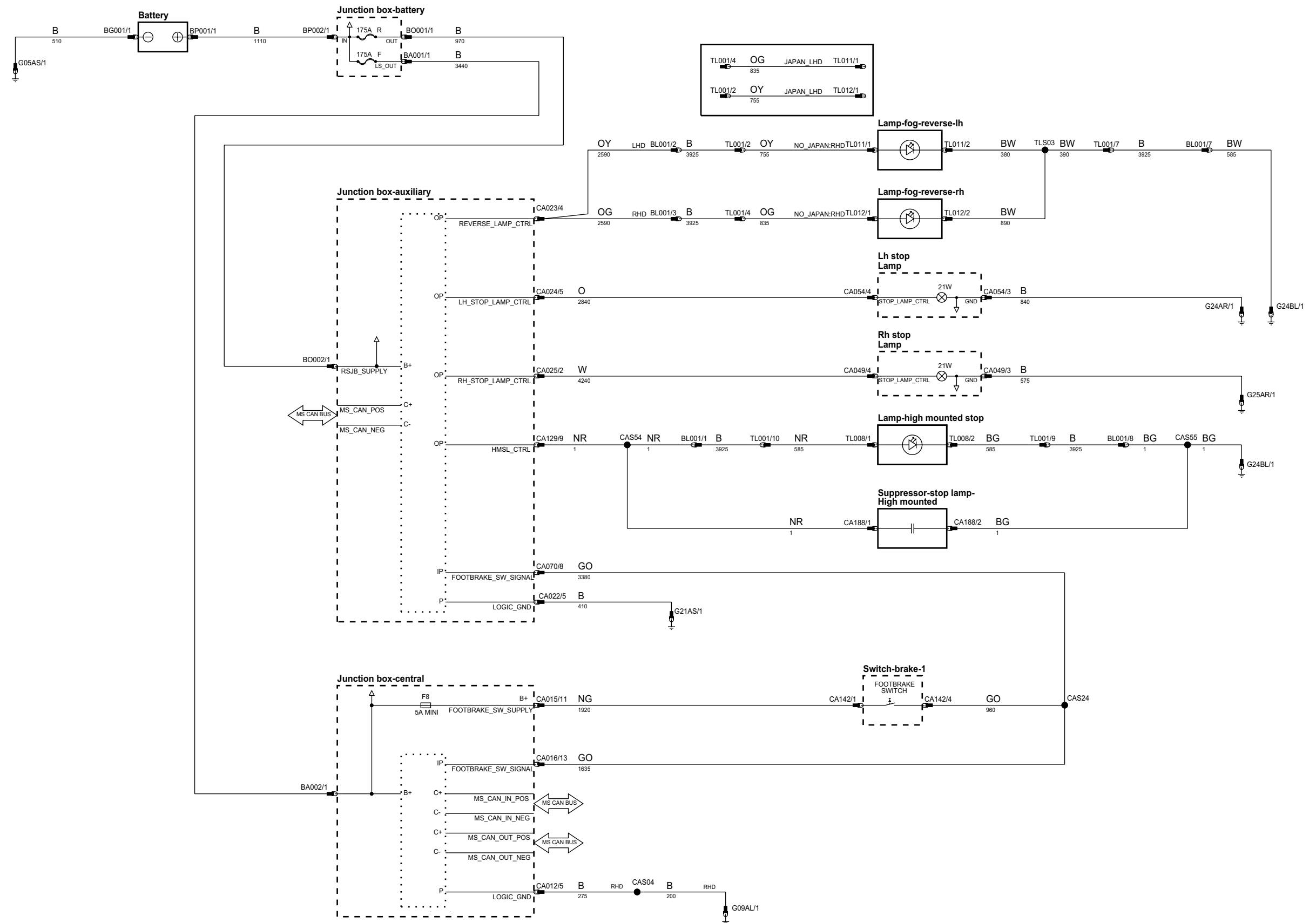
ph8w83-70060-d-ac



B+ Battery Voltage	IP Input	VREF Sensor/Signal Supply V	HS CAN BUS High speed controller area network bus	MOST BUS Media oriented systems transport bus
P Power Ground	OP Output	GRES Sensor/Signal Ground	MS CAN BUS Medium speed controller area network bus	D Serial and Encoded Data

VARIANT: All
 VIN RANGE: All
 DATE OF ISSUE: 03/2008

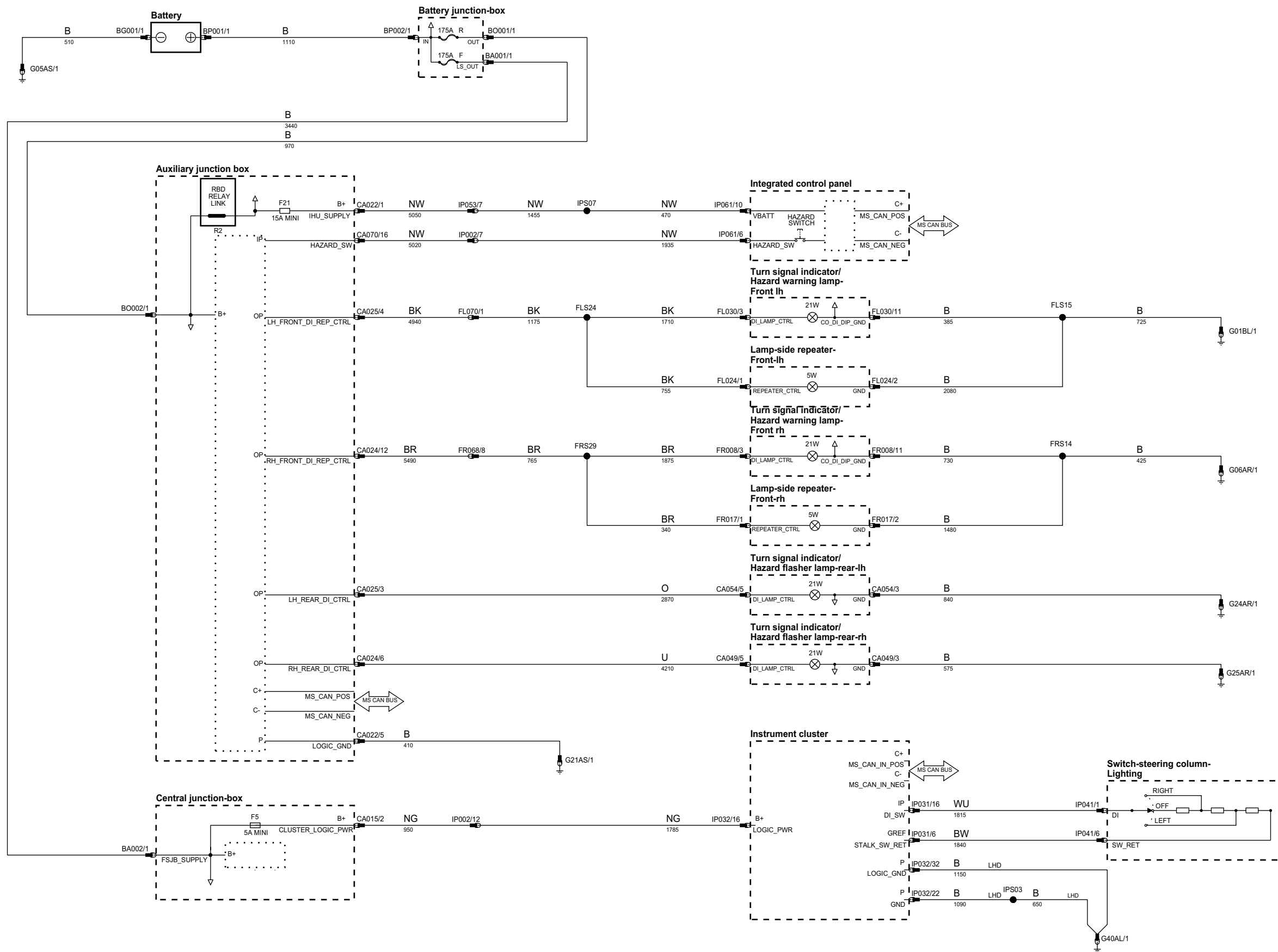
phw83-70060-c-ac



B - Battery Voltage	IP Input	VREF Sensor/Signal Supply V	HS CAN BUS High speed controller area network bus	MOST BUS Media oriented systems transport bus
P Power Ground	OP Output	GRF Sensor/Signal Ground	MS CAN BUS Medium speed controller area network bus	D Serial and Encoded Data

VARIANT: All
VIN RANGE: All
DATE OF ISSUE: 03/2008

ph8w83-70080-b-ac



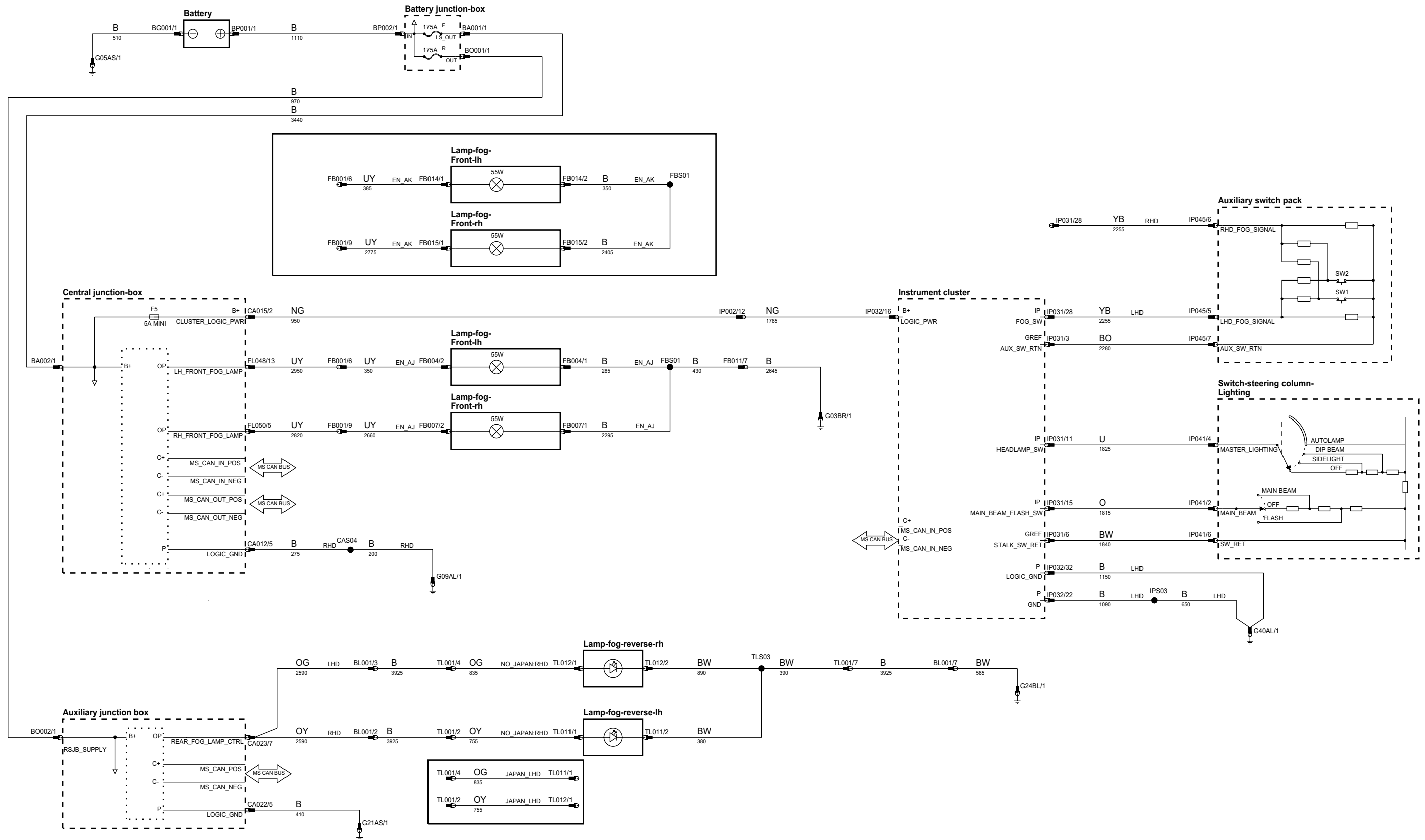
B+ Battery Voltage
 P Power Ground
 IP Input
 OP Output
 VREF Sensor/Signal Supply V
 GREF Sensor/Signal Ground

HS CAN BUS High speed controller area network bus
 MS CAN BUS Medium speed controller area network bus

MOST BUS Media oriented systems transport bus
 D Serial and Encoded Data

VARIANT: All
 VIN RANGE: All
 DATE OF ISSUE: 03/2008

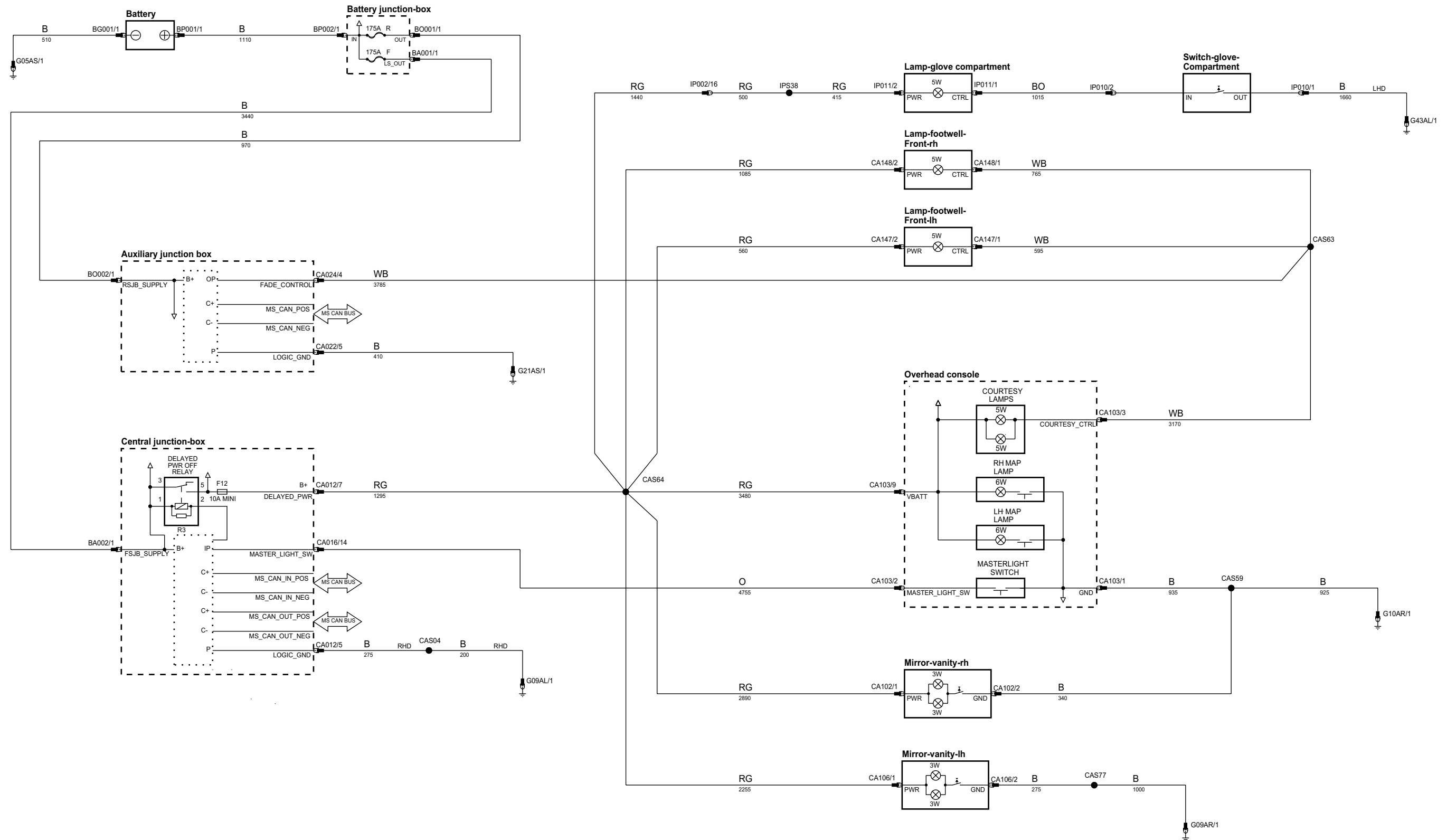
phw83-70072-b-ac



B Battery Voltage	IP Input	VREF Sensor/Signal Supply V	HS CAN BUS High speed controller area network bus	MOST BUS Media oriented systems transport bus
P Power Ground	OP Output	GRES Sensor/Signal Ground	MS CAN BUS Medium speed controller area network bus	D Serial and Encoded Data

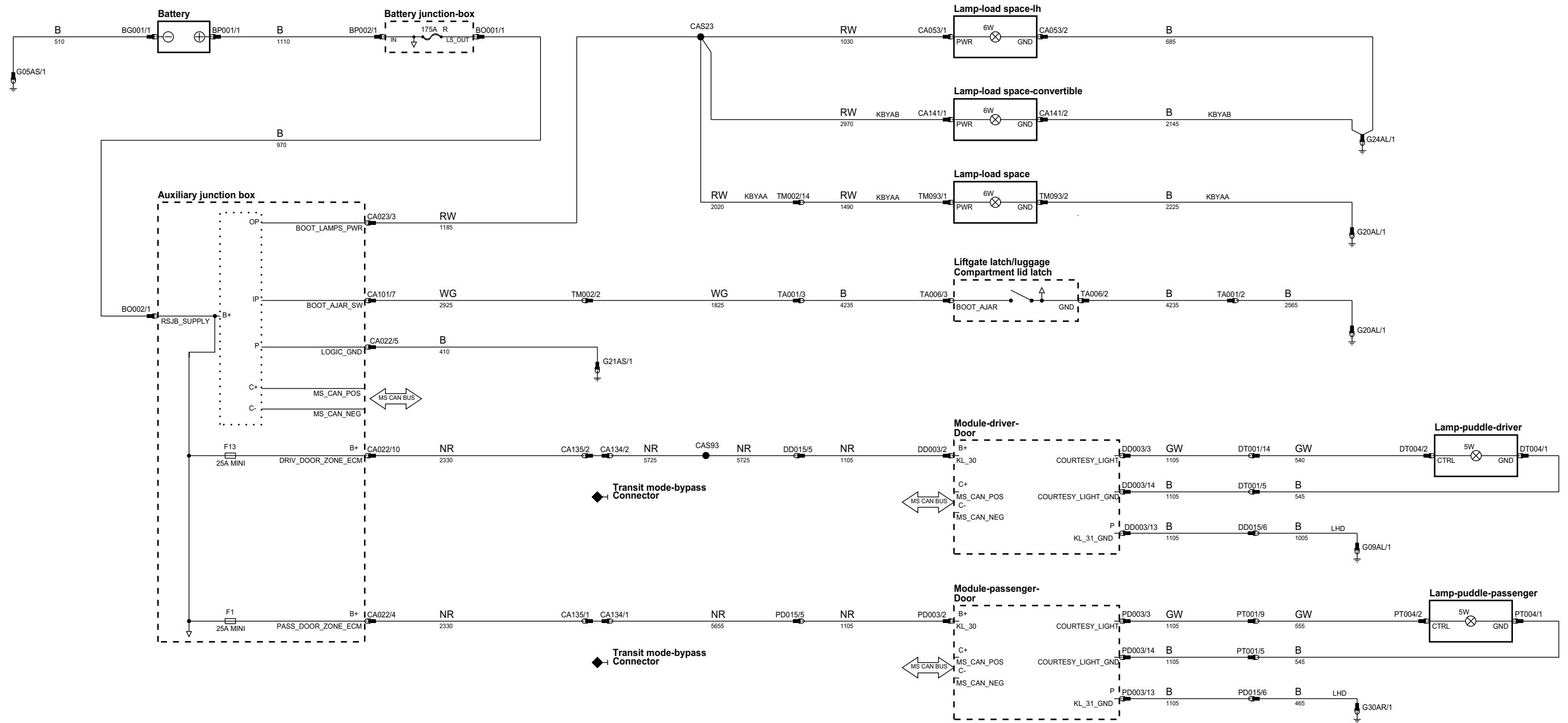
VARIANT: All
 VIN RANGE: All
 DATE OF ISSUE: 03/2008

ph8w83-70101-b-ac



B - Battery Voltage	IP Input	VREF Sensor/Signal Supply V	HS CAN BUS High speed controller area network bus	MOST BUS Media oriented systems transport bus	VARIANT: All
P Power Ground	OP Output	GRF Sensor/Signal Ground	MS CAN BUS Medium speed controller area network bus	D Serial and Encoded Data	VIN RANGE: All
					DATE OF ISSUE: 03/2008

ph0w83-70104-b-ac



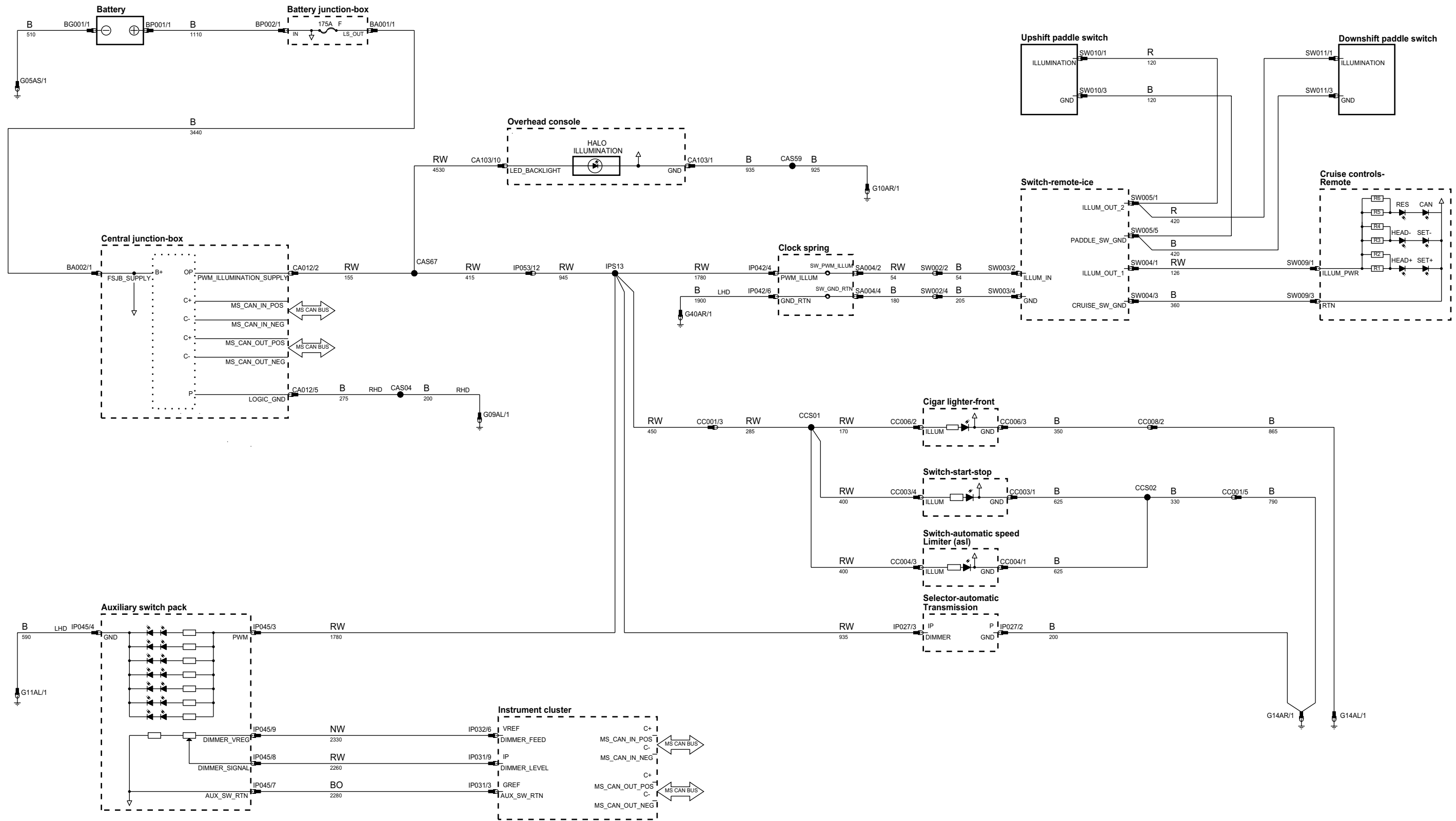
B- Battery Voltage
 P Power Ground
 IP Input
 OP Output
 VREF Sensor/Signal Supply V
 GREF Sensor/Signal Ground

HS CAN BUS High speed controller area network bus
 MS CAN BUS Medium speed controller area network bus

MOST BUS Media oriented systems transport bus
 D Serial and Encoded Data

VARIANT: All
 VIN RANGE: All
 DATE OF ISSUE: 03/2008

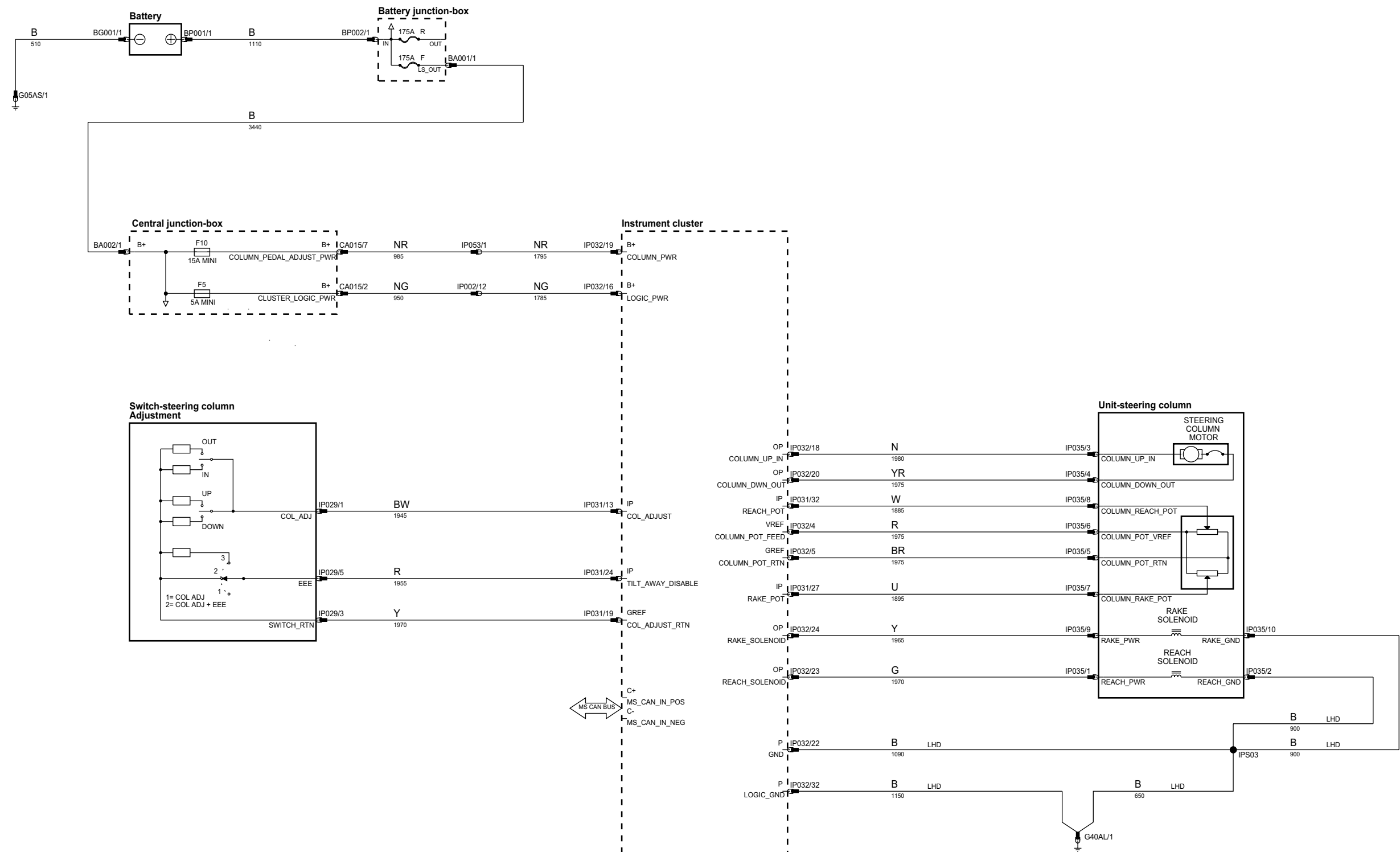
ph7w83-70120-a-ab



B- Battery Voltage	IP Input	VREF Sensor/Signal Supply V	HS CAN BUS High speed controller area network bus	MOST BUS Media oriented systems transport bus
P Power Ground	OP Output	GREF Sensor/Signal Ground	MS CAN BUS Medium speed controller area network bus	D Serial and Encoded Data

VARIANT: All
VIN RANGE: All
DATE OF ISSUE: 03/2008

ph7w83-70360-b-ab



B- Battery Voltage
P Power Ground

IP Input
OP Output

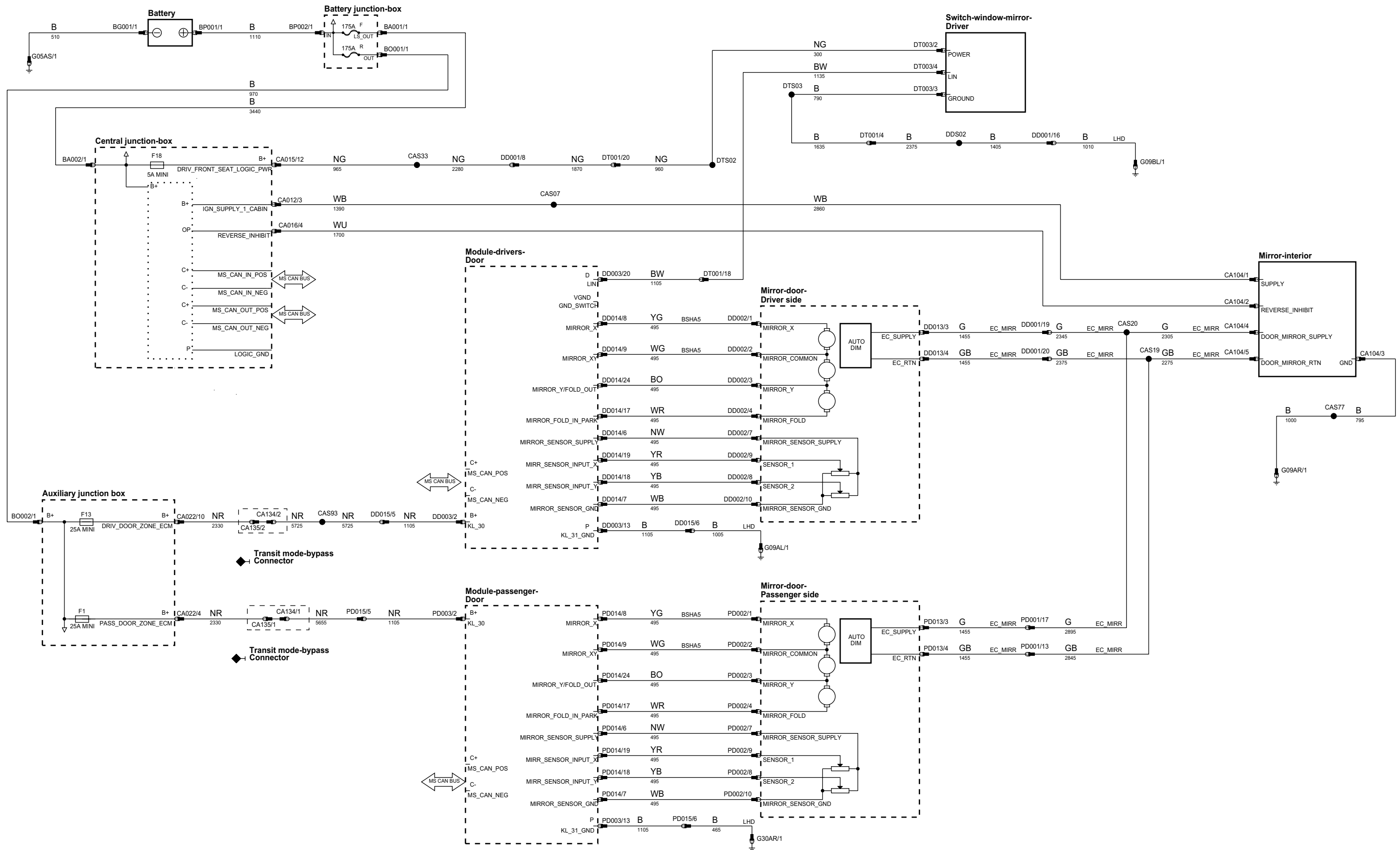
VREF Sensor/Signal Supply V
GREF Sensor/Signal Ground

HS CAN BUS High speed controller area network bus
MS CAN BUS Medium speed controller area network bus

MOST BUS Media oriented systems transport bus
D Serial and Encoded Data

VARIANT: All
VIN RANGE: All
DATE OF ISSUE: 03/2008

ph7w83-70330-b-ab



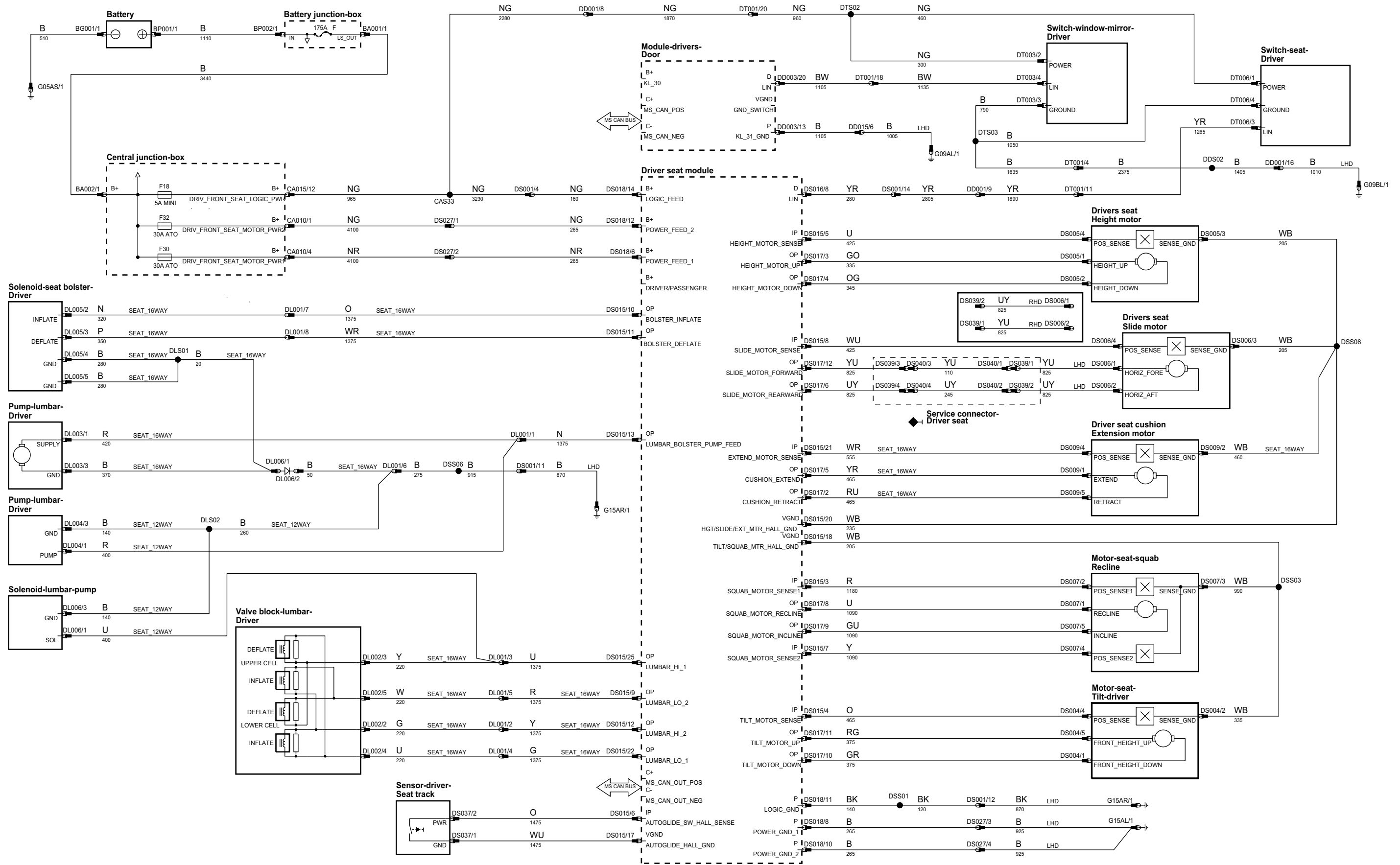
B+ Battery Voltage
 IP Input
 P Power Ground
 VREF Sensor/Signal Supply V
 OP Output
 GREF Sensor/Signal Ground

HS CAN BUS High speed controller area network bus
 MS CAN BUS Medium speed controller area network bus

MOST BUS Media oriented systems transport bus
 D Serial and Encoded Data

VARIANT: All
 VIN RANGE: All
 DATE OF ISSUE: 03/2008

ph7w83-70346-b-ab



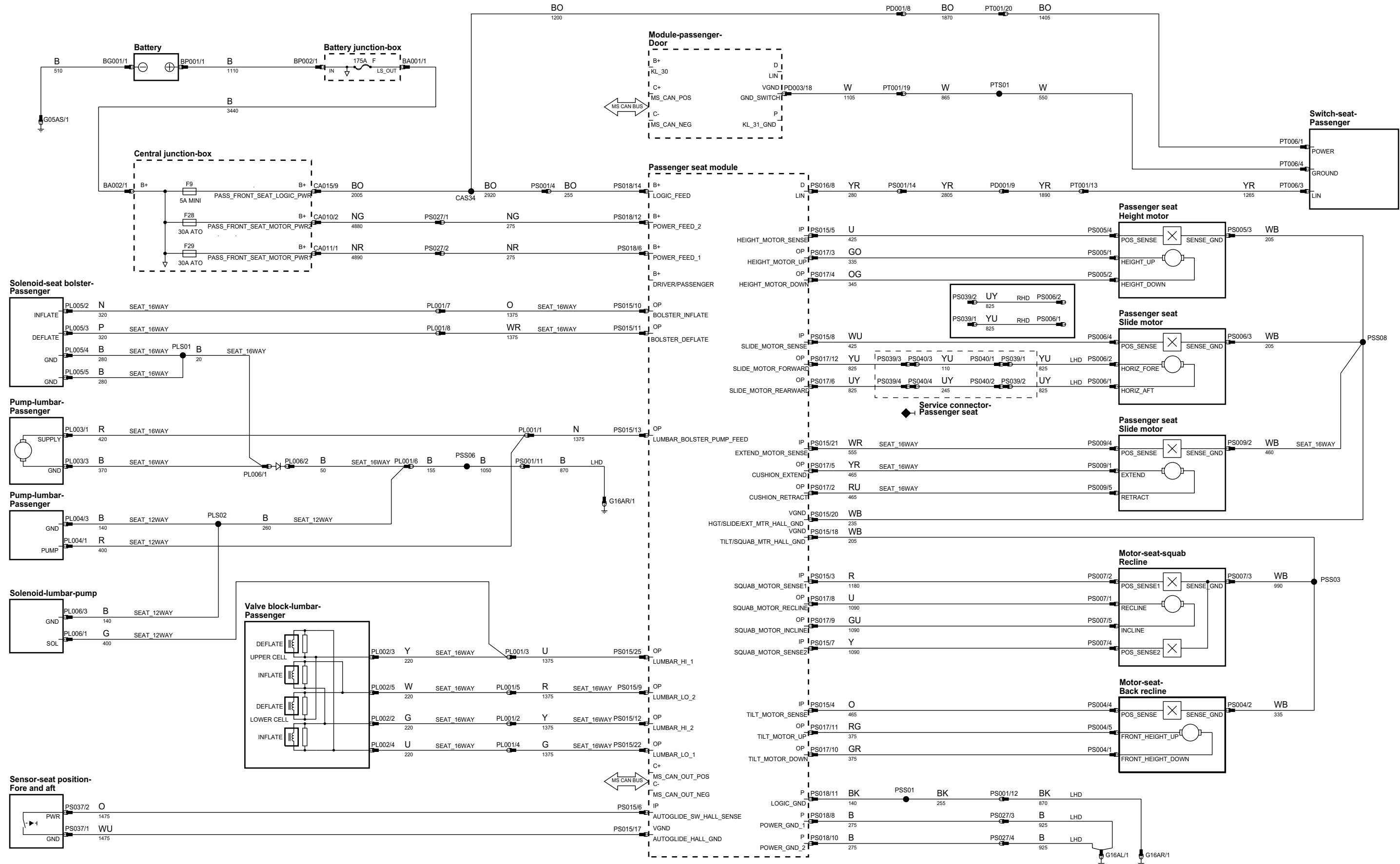
B- Battery Voltage
 P Power Ground
 IP Input
 OP Output
 VREF Sensor/Signal Supply V
 GREF Sensor/Signal Ground

HS CAN BUS High speed controller area network bus
 MS CAN BUS Medium speed controller area network bus

MOST BUS Media oriented systems transport bus
 D Serial and Encoded Data

VARIANT: All
 VIN RANGE: All
 DATE OF ISSUE: 03/2008

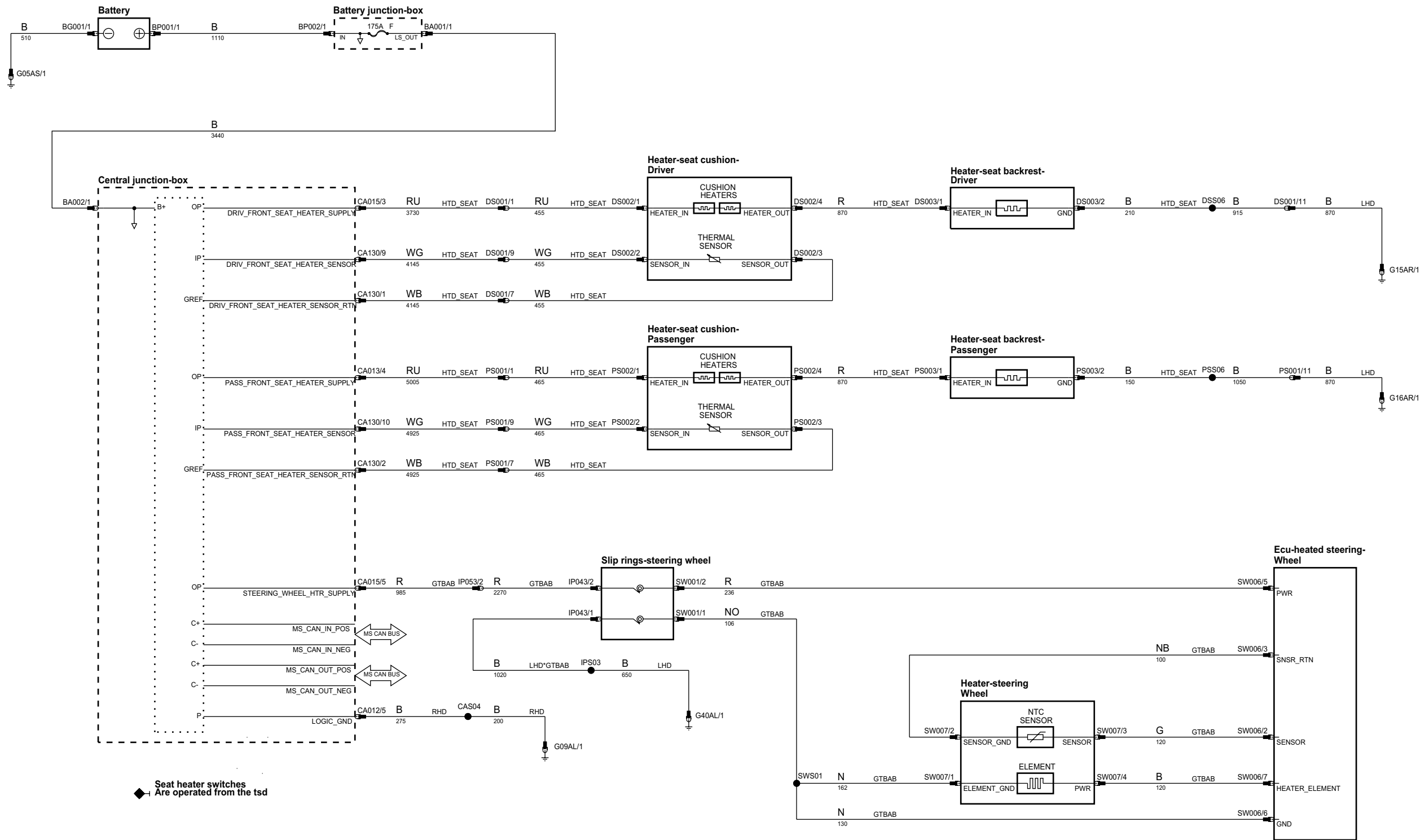
ph7w83-70346-c-ab



B+ Battery Voltage	IP Input	VREF Sensor/Signal Supply V	HS CAN BUS High speed controller area network bus	MOST BUS Media oriented systems transport bus
P Power Ground	OP Output	GRF Sensor/Signal Ground	MS CAN BUS Medium speed controller area network bus	D Serial and Encoded Data

VARIANT: All
 VIN RANGE: All
 DATE OF ISSUE: 03/2008

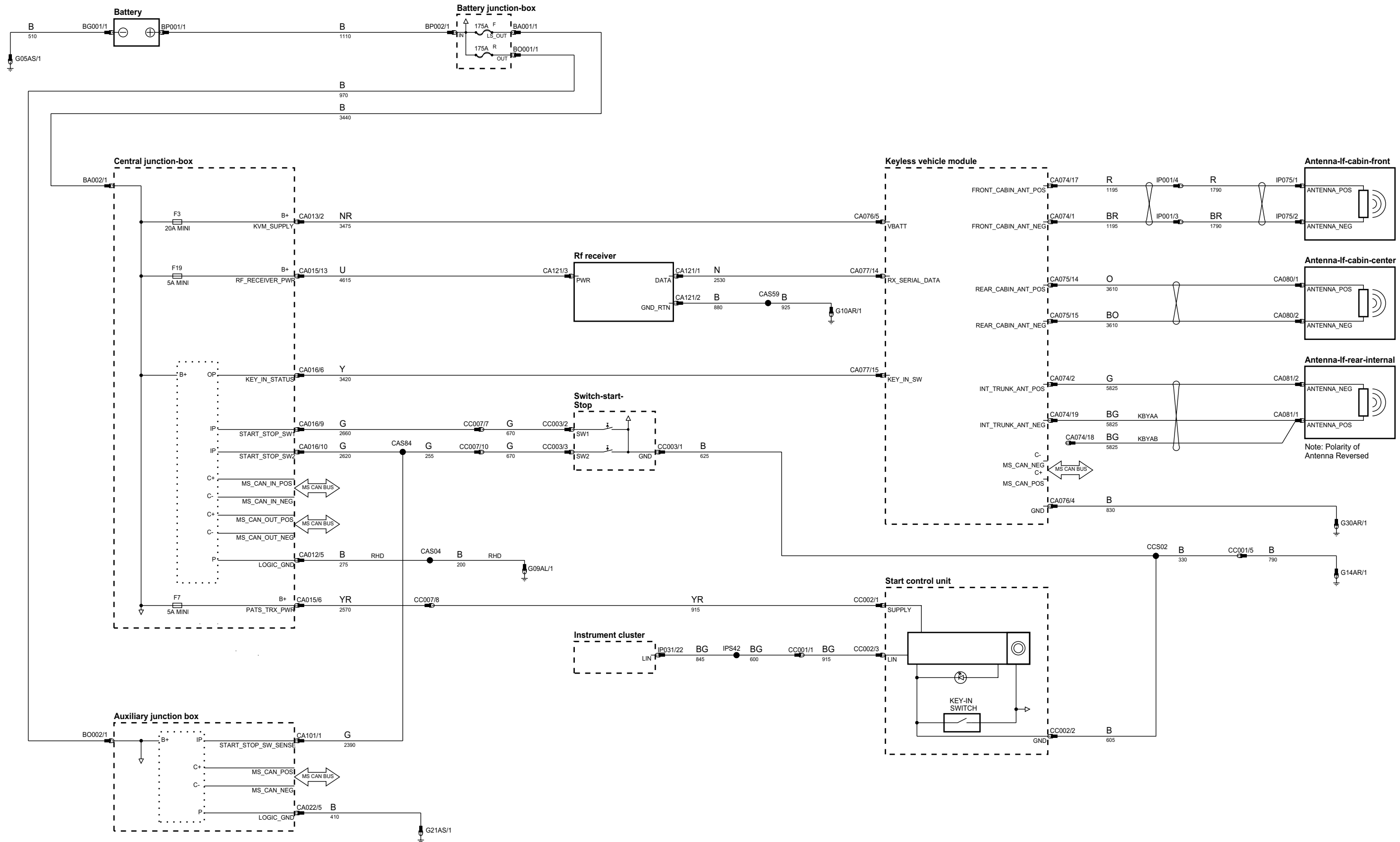
ph7w83-70347-b-ab



◆ Seat heater switches
Are operated from the tsd

B- Battery Voltage	IP Input	VREF Sensor/Signal Supply V	HS CAN BUS High speed controller area network bus	MOST BUS Media oriented systems transport bus	VARIANT: All
P Power Ground	OP Output	GREF Sensor/Signal Ground	MS CAN BUS Medium speed controller area network bus	D Serial and Encoded Data	VIN RANGE: All
					DATE OF ISSUE: 03/2008

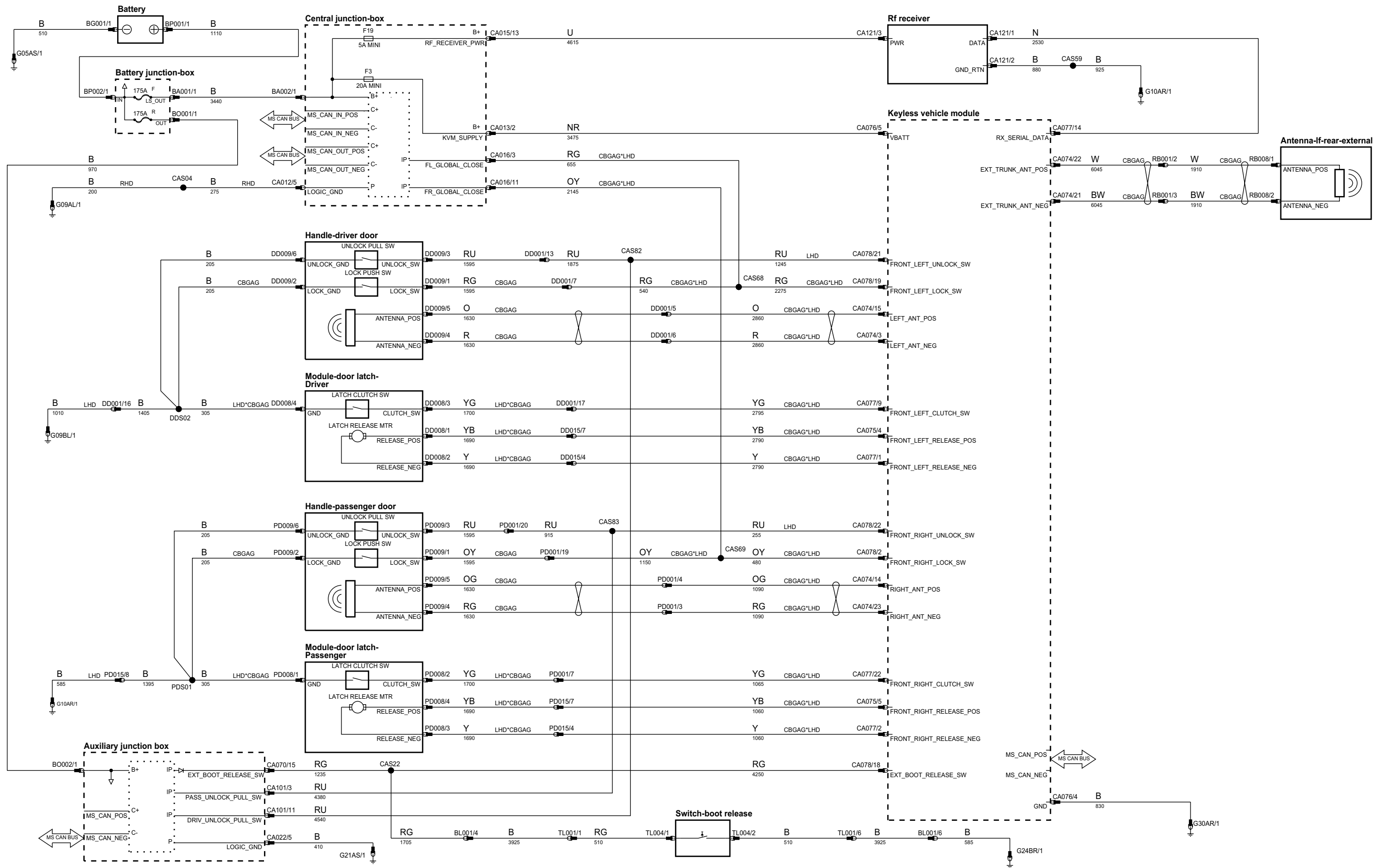
phw83-70417-a-ac



B - Battery Voltage	IP Input	VREF Sensor/Signal Supply V	HS CAN BUS High speed controller area network bus	MOST BUS Media oriented systems transport bus
P Power Ground	OP Output	GRES Sensor/Signal Ground	MS CAN BUS Medium speed controller area network bus	D Serial and Encoded Data

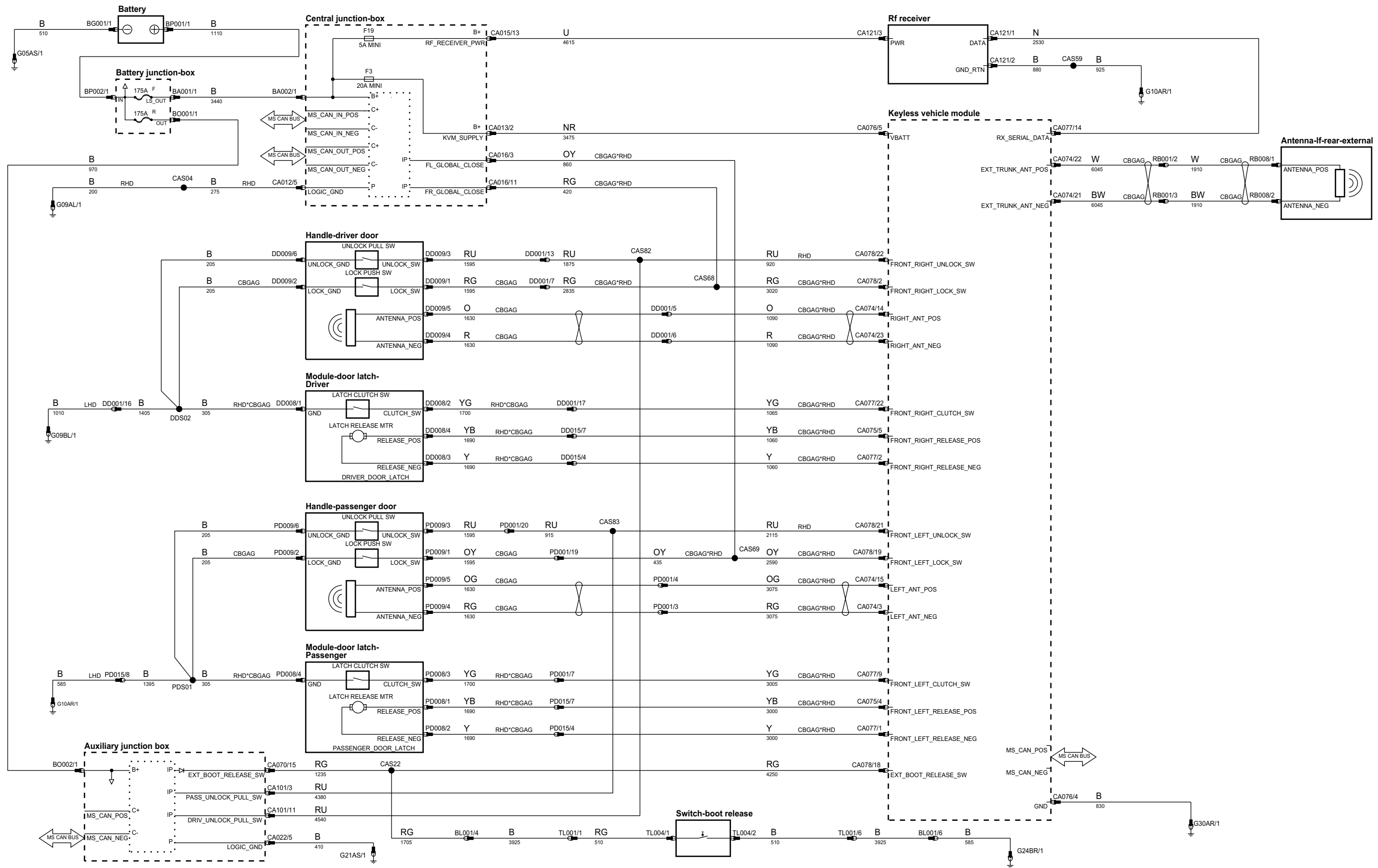
VARIANT: All
 VIN RANGE: All
 DATE OF ISSUE: 03/2008

phw83-70410-a-ac



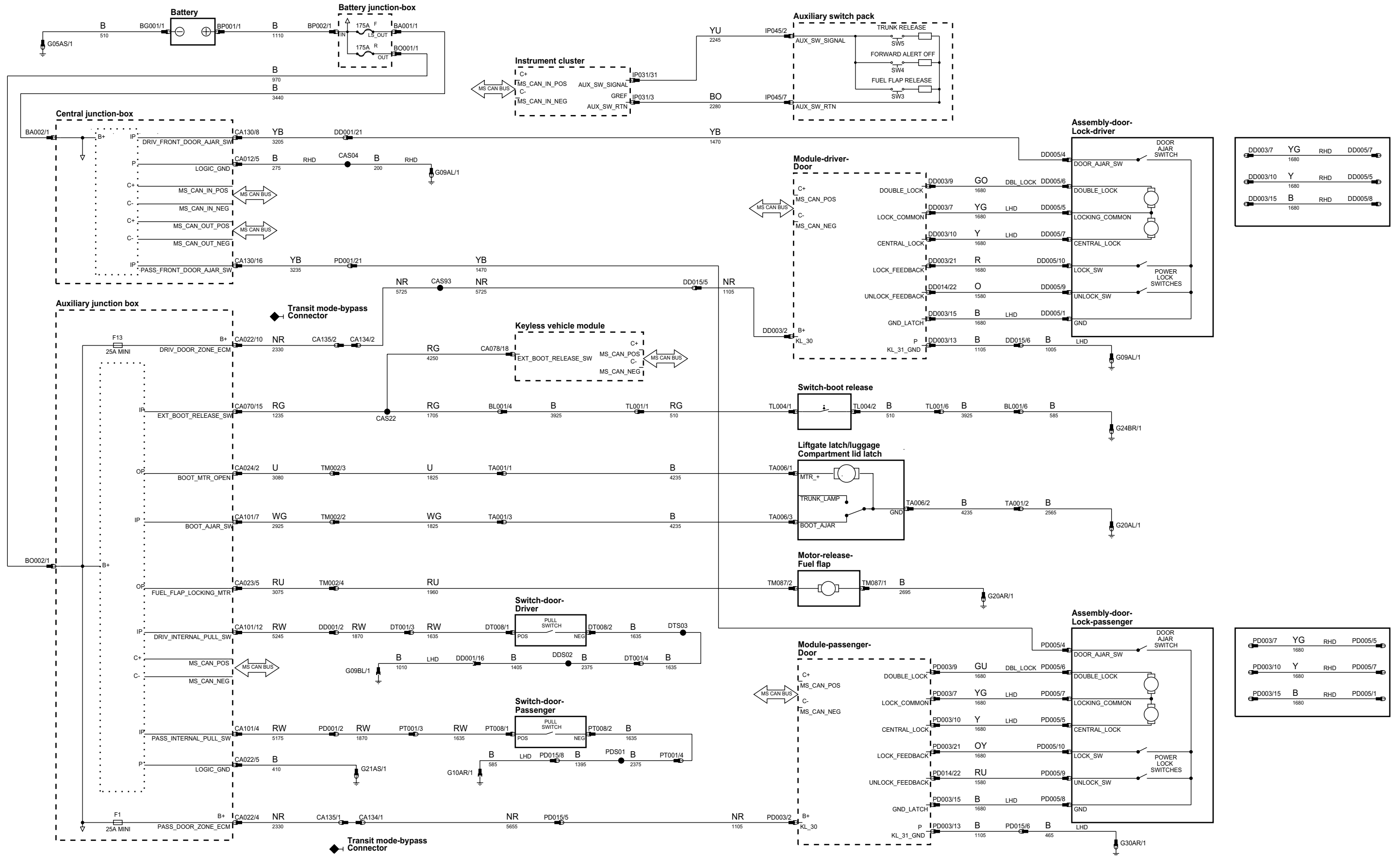
B - Battery Voltage	IP Input	VREF Sensor/Signal Supply V	HS CAN BUS High speed controller area network bus	MOST BUS Media oriented systems transport bus	VARIANT: Yes
P Power Ground	OP Output	GREF Sensor/Signal Ground	MS CAN BUS Medium speed controller area network bus	D Serial and Encoded Data	VIN RANGE: All
					DATE OF ISSUE: 03/2008

phw83-70410-b-ac



B- Battery Voltage	IP Input	VREF Sensor/Signal Supply V	HS CAN BUS High speed controller area network bus	MOST BUS Media oriented systems transport bus	VARIANT: Yes
P Power Ground	OP Output	GRF Sensor/Signal Ground	MS CAN BUS Medium speed controller area network bus	D Serial and Encoded Data	VIN RANGE: All
					DATE OF ISSUE: 03/2008

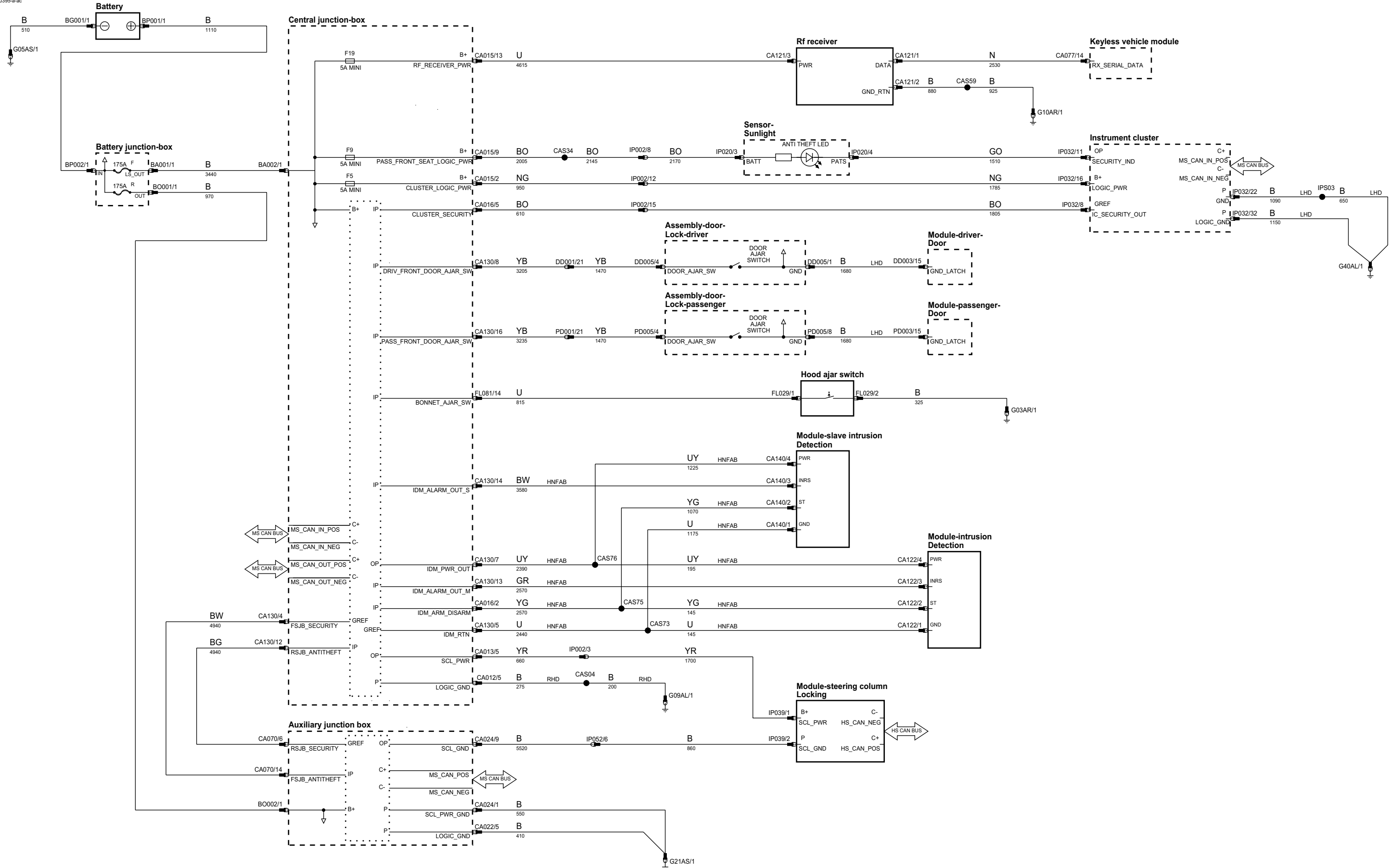
phw83-70420-b-ac



B - Battery Voltage	IP Input	VREF Sensor/Signal Supply V	HS CAN BUS High speed controller area network bus	MOST BUS Media oriented systems transport bus
P Power Ground	OP Output	GRESF Sensor/Signal Ground	MS CAN BUS Medium speed controller area network bus	D Serial and Encoded Data

VARIANT: All
VIN RANGE: All
DATE OF ISSUE: 03/2008

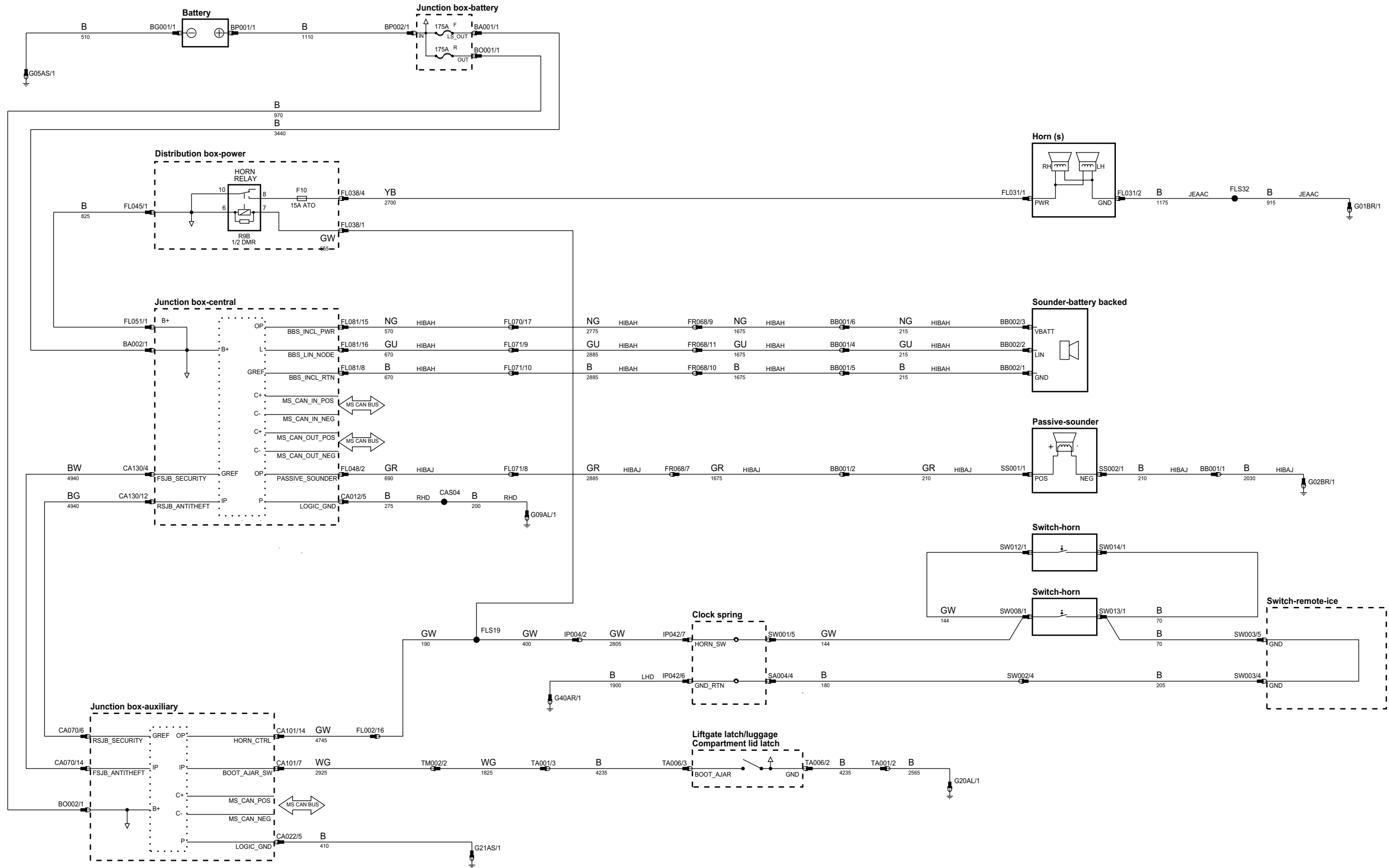
phw63-70395-a-ac



B+ Battery Voltage	IP Input	VREF Sensor/Signal Supply V	HS CAN BUS High speed controller area network bus	MOST BUS Media oriented systems transport bus
P Power Ground	OP Output	GREF Sensor/Signal Ground	MS CAN BUS Medium speed controller area network bus	D Serial and Encoded Data

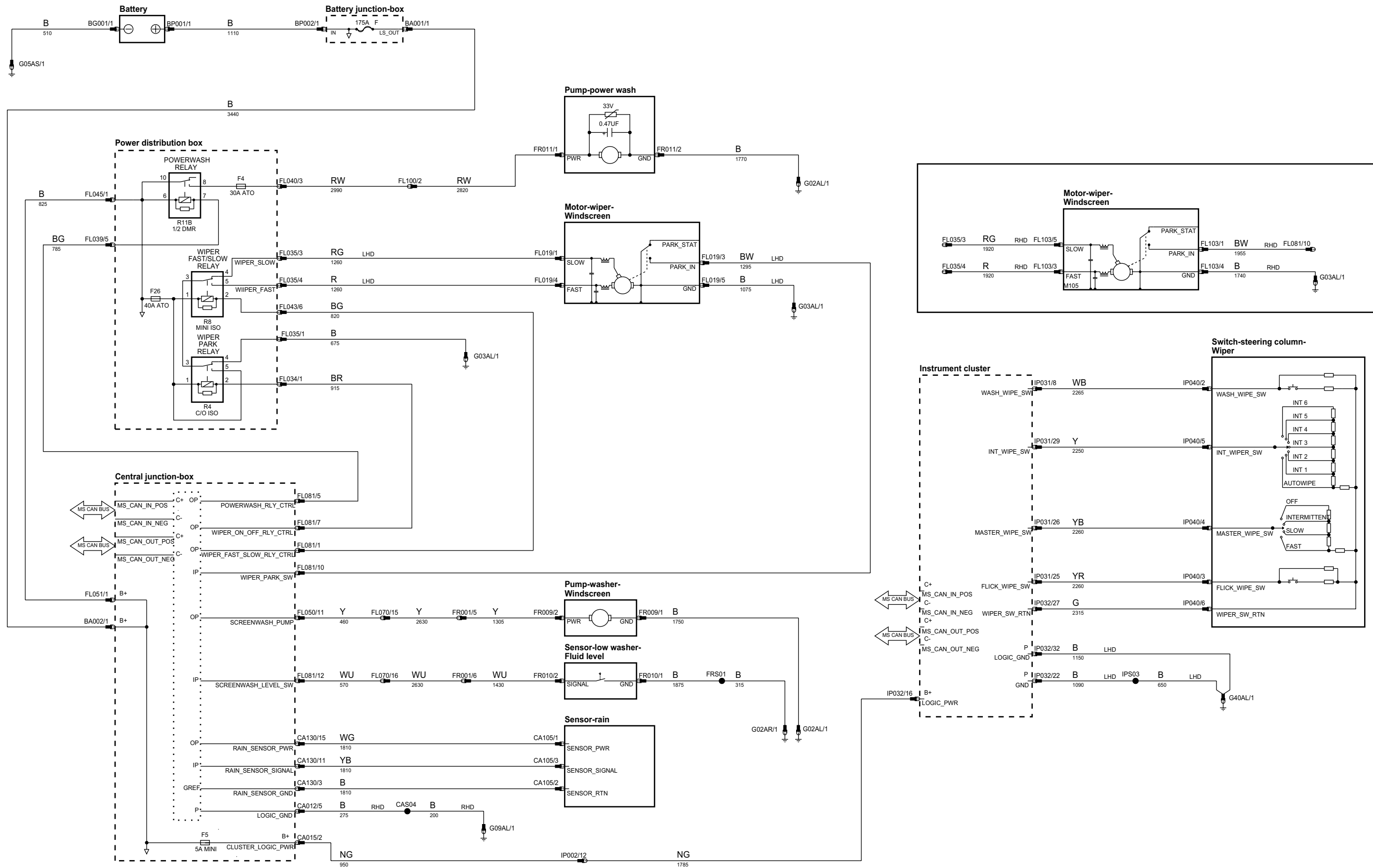
VARIANT: All
 VIN RANGE: All
 DATE OF ISSUE: 03/2008

ph0w83-70395-b-ac



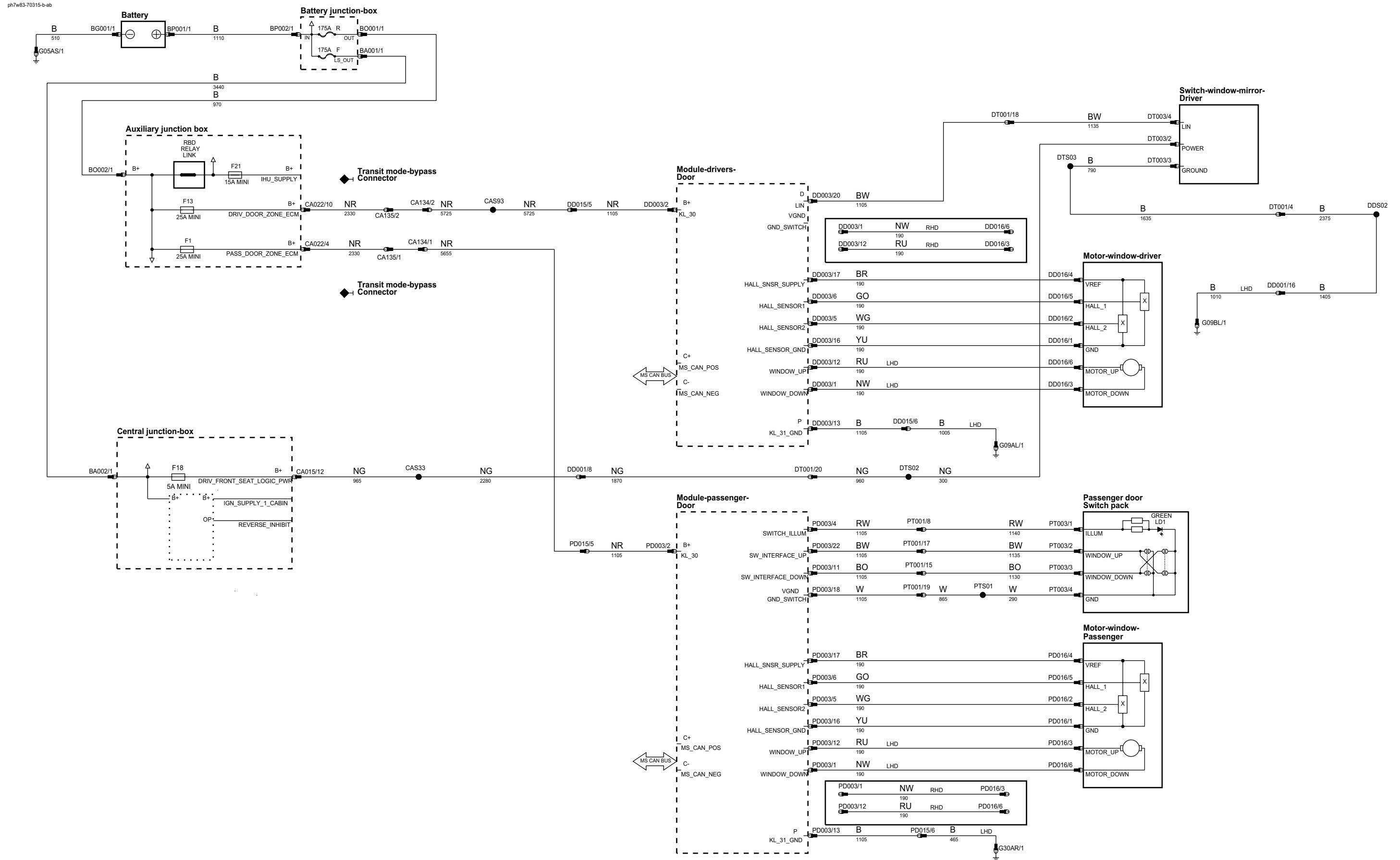
B - Battery Voltage	IP Input	VREF Sensor/Signal Supply V	HS CAN BUS High speed controller area network bus	MOST BUS Media oriented systems transport bus	VARIANT: All
P Power Ground	OP Output	GREF Sensor/Signal Ground	MS CAN BUS Medium speed controller area network bus	D Serial and Encoded Data	VIN RANGE: All
					DATE OF ISSUE: 03/2008

ph7w83-70133-b-aa



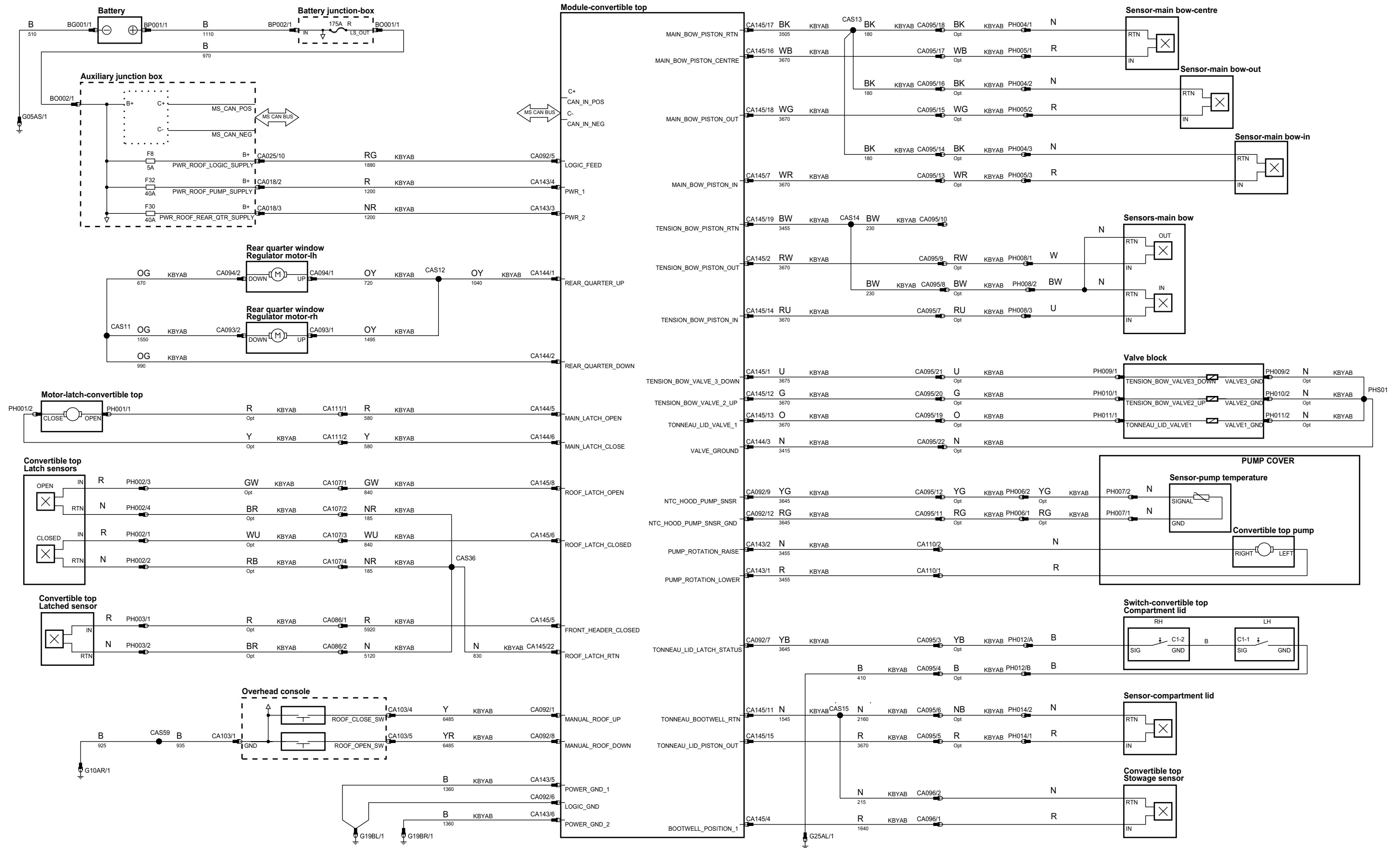
B Battery Voltage	IP Input	VREF Sensor/Signal Supply V	HS CAN BUS High speed controller area network bus	MOST BUS Media oriented systems transport bus
P Power Ground	OP Output	GRES Sensor/Signal Ground	MS CAN BUS Medium speed controller area network bus	D Serial and Encoded Data

VARIANT: All
 VIN RANGE: All
 DATE OF ISSUE: 03/2008



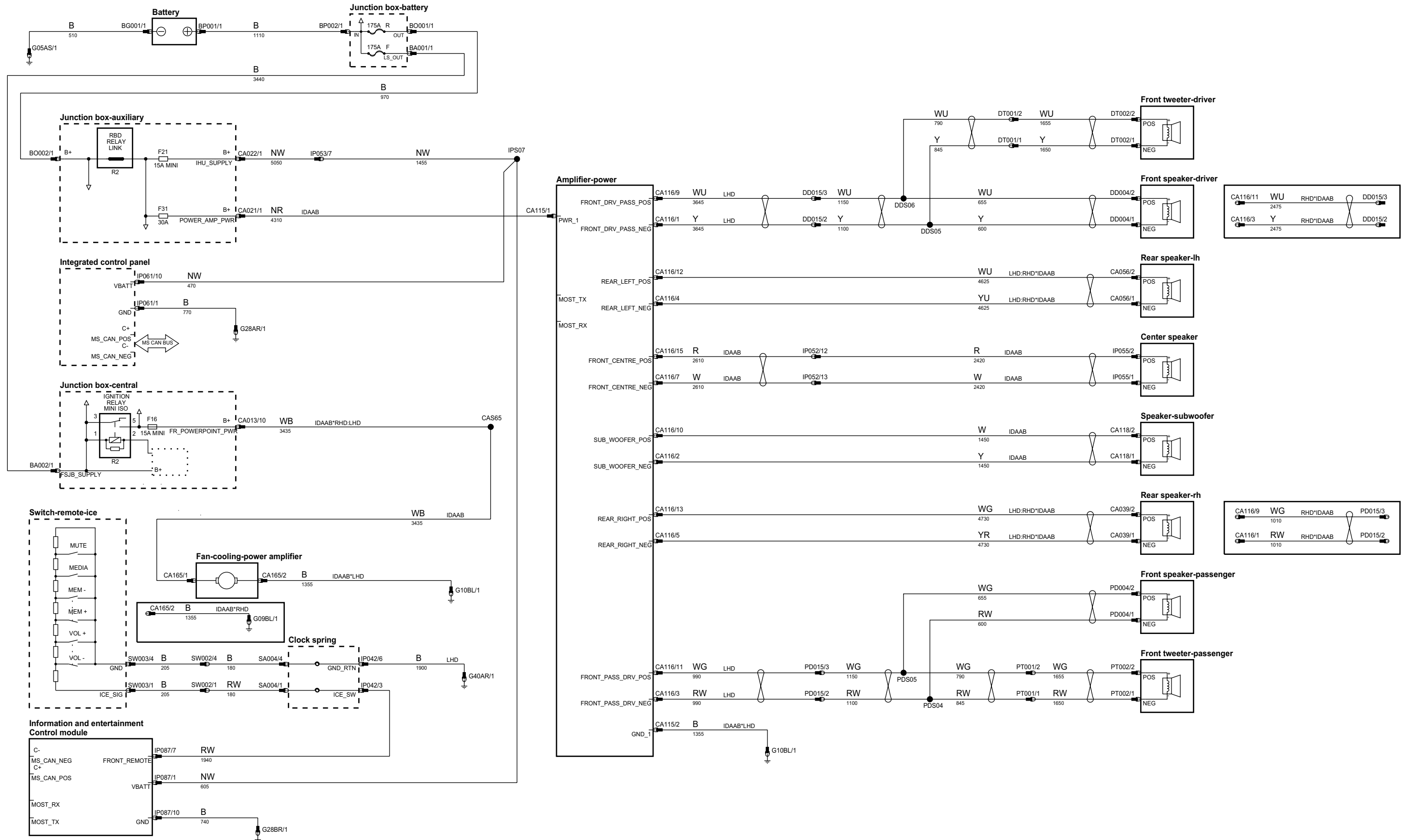
B- Battery Voltage	IP Input	VREF Sensor/Signal Supply V	HS CAN BUS High speed controller area network bus	MOST BUS Media oriented systems transport bus	VARIANT: All
P Power Ground	OP Output	GFREF Sensor/Signal Ground	MS CAN BUS Medium speed controller area network bus	D Serial and Encoded Data	VIN RANGE: All
					DATE OF ISSUE: 03/2008

ph7w83-70351-e-ab



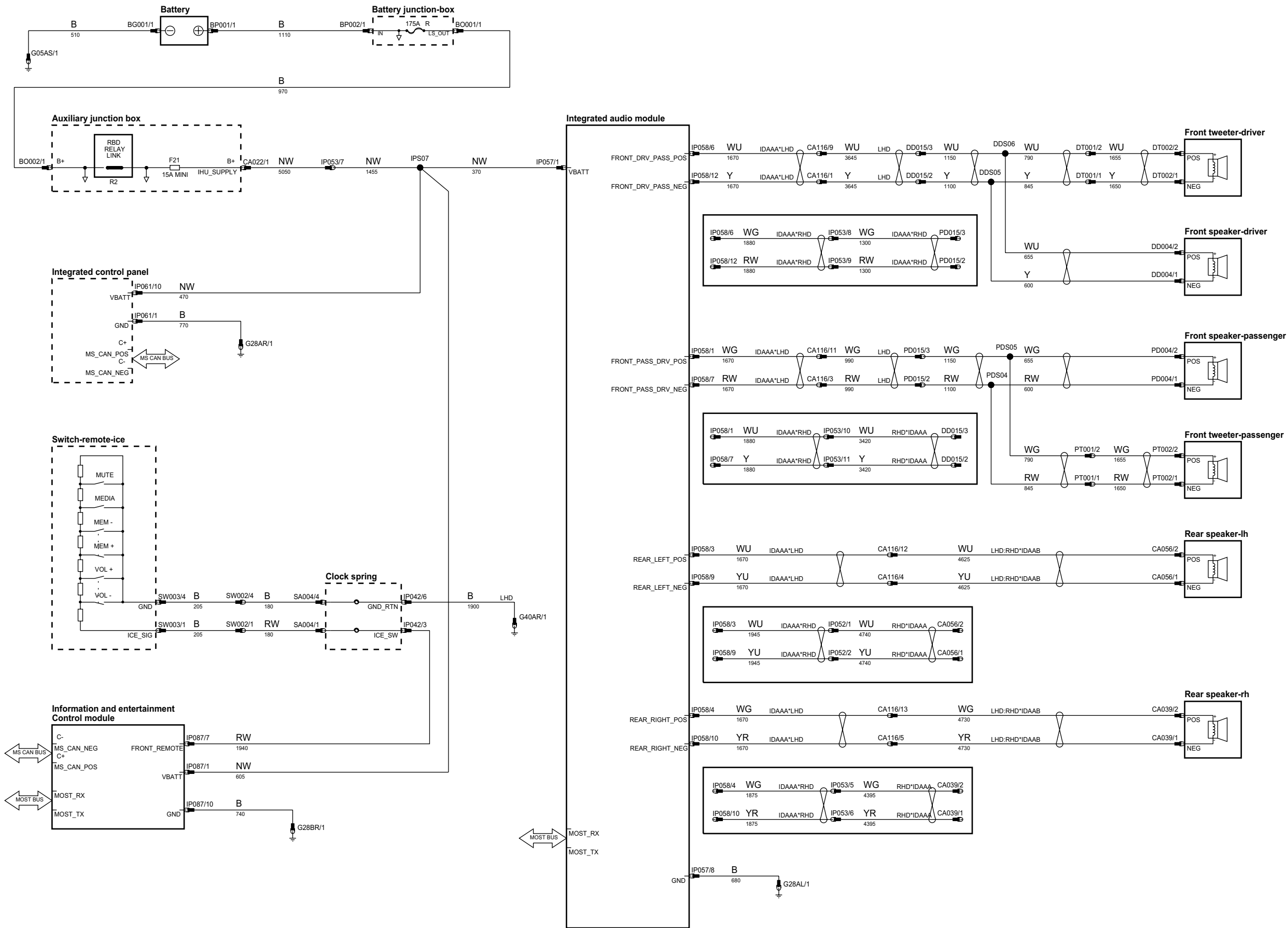
B- Battery Voltage	IP Input	VREF Sensor/Signal Supply V	HS CAN BUS High speed controller area network bus	MOST BUS Media oriented systems transport bus	VARIANT: Yes
P Power Ground	OP Output	GRES Sensor/Signal Ground	MS CAN BUS Medium speed controller area network bus	D Serial and Encoded Data	VIN RANGE: All
					DATE OF ISSUE: 03/2008

ph8w83-70441-a2-ac



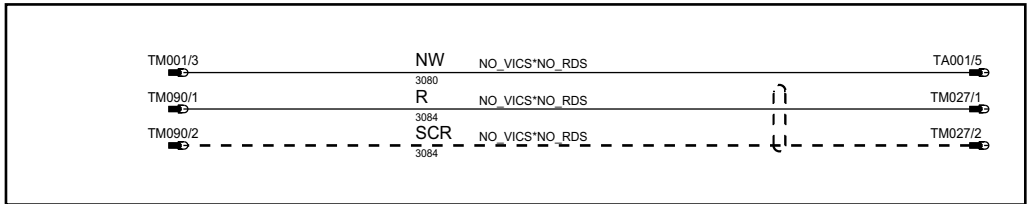
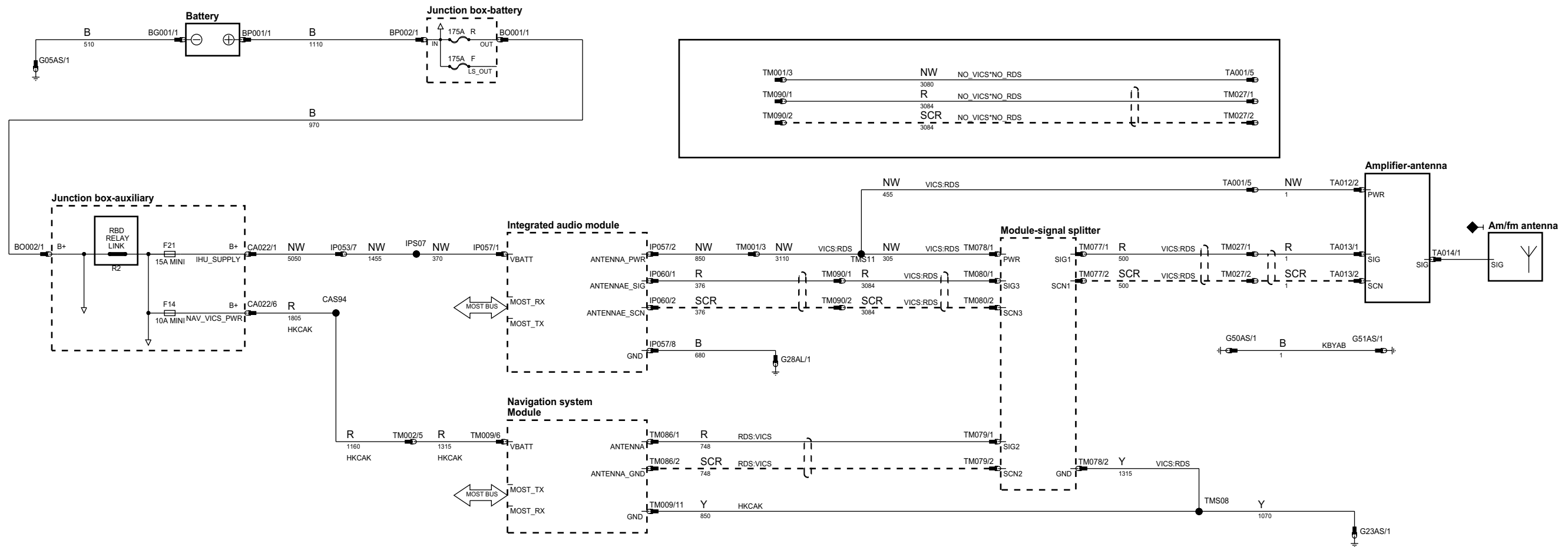
B - Battery Voltage	IP Input	VREF Sensor/Signal Supply V	HS CAN BUS High speed controller area network bus	MOST BUS Media oriented systems transport bus	VARIANT: Yes
P Power Ground	OP Output	GRES Sensor/Signal Ground	MS CAN BUS Medium speed controller area network bus	D Serial and Encoded Data	VIN RANGE: All
					DATE OF ISSUE: 03/2008

ph8w83-70441-b-ac



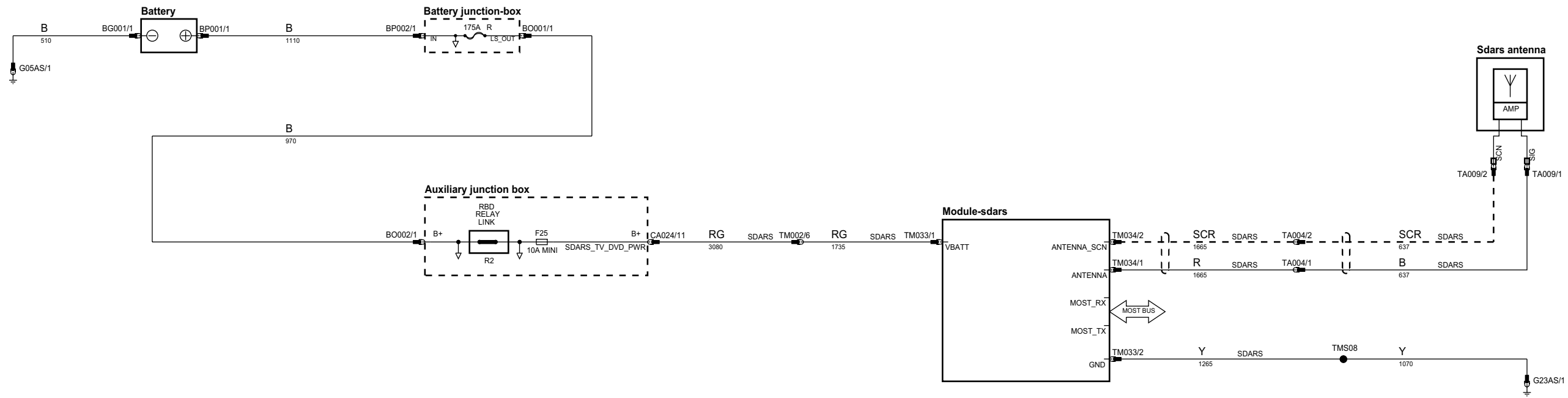
B- Battery Voltage	IP Input	VREF Sensor/Signal Supply V	HS CAN BUS High speed controller area network bus	MOST BUS Media oriented systems transport bus	VARIANT: Yes
P Power Ground	OP Output	GRES Sensor/Signal Ground	MS CAN BUS Medium speed controller area network bus	D Serial and Encoded Data	VIN RANGE: All
					DATE OF ISSUE: 03/2008

ph8w83-70441-a3-ac



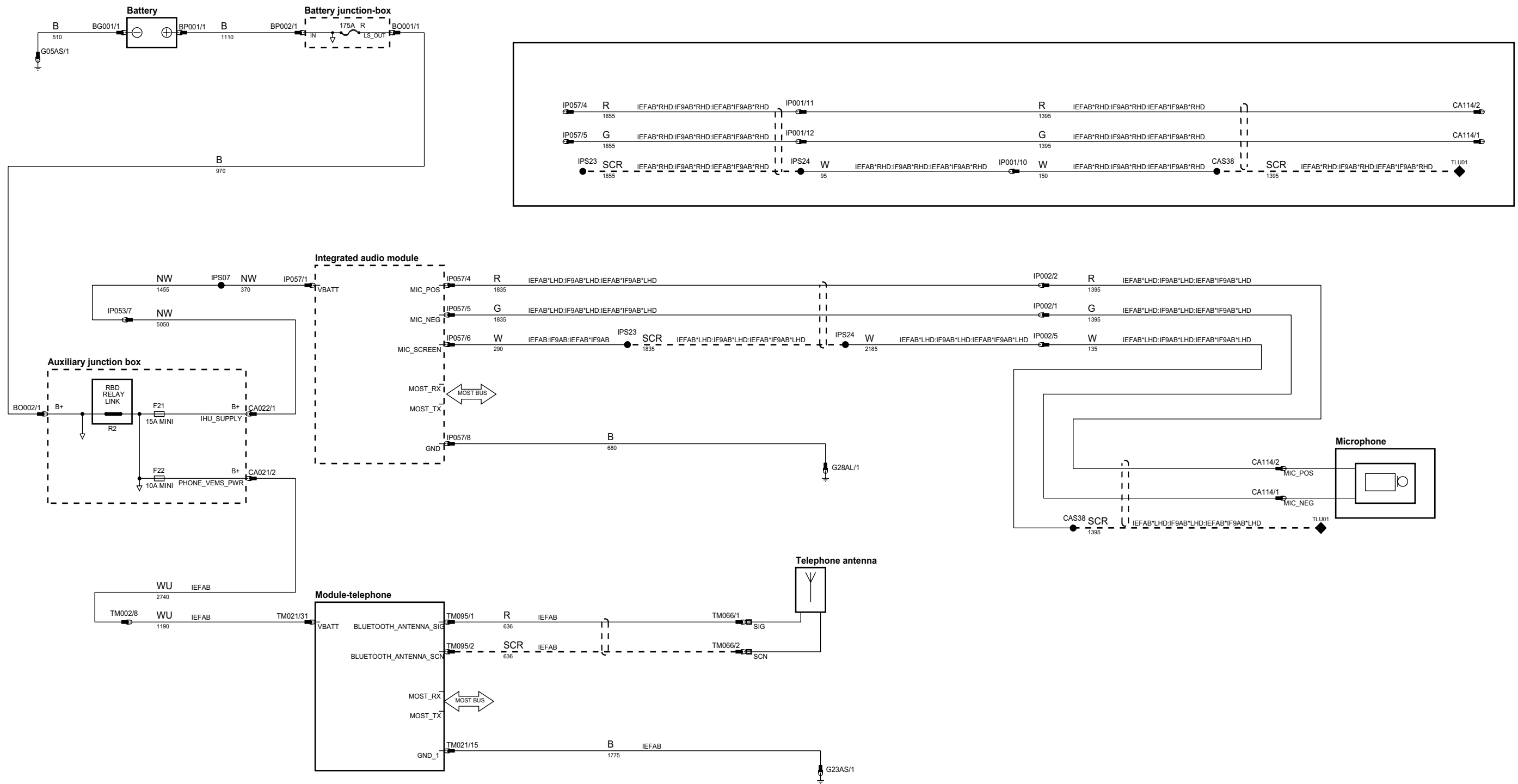
B - Battery Voltage	IP Input	VREF Sensor/Signal Supply V	HS CAN BUS High speed controller area network bus	MOST BUS Media oriented systems transport bus	VARIANT: Yes
P Power Ground	OP Output	GRES Sensor/Signal Ground	MS CAN BUS Medium speed controller area network bus	D Serial and Encoded Data	VIN RANGE: All
					DATE OF ISSUE: 03/2008

ph8w83-70456-a-ac



B - Battery Voltage	IP Input	VREF Sensor/Signal Supply V	HS CAN BUS High speed controller area network bus	MOST BUS Media oriented systems transport bus	VARIANT: Yes
P Power Ground	OP Output	GRES Sensor/Signal Ground	MS CAN BUS Medium speed controller area network bus	D Serial and Encoded Data	VIN RANGE: All
					DATE OF ISSUE: 03/2008

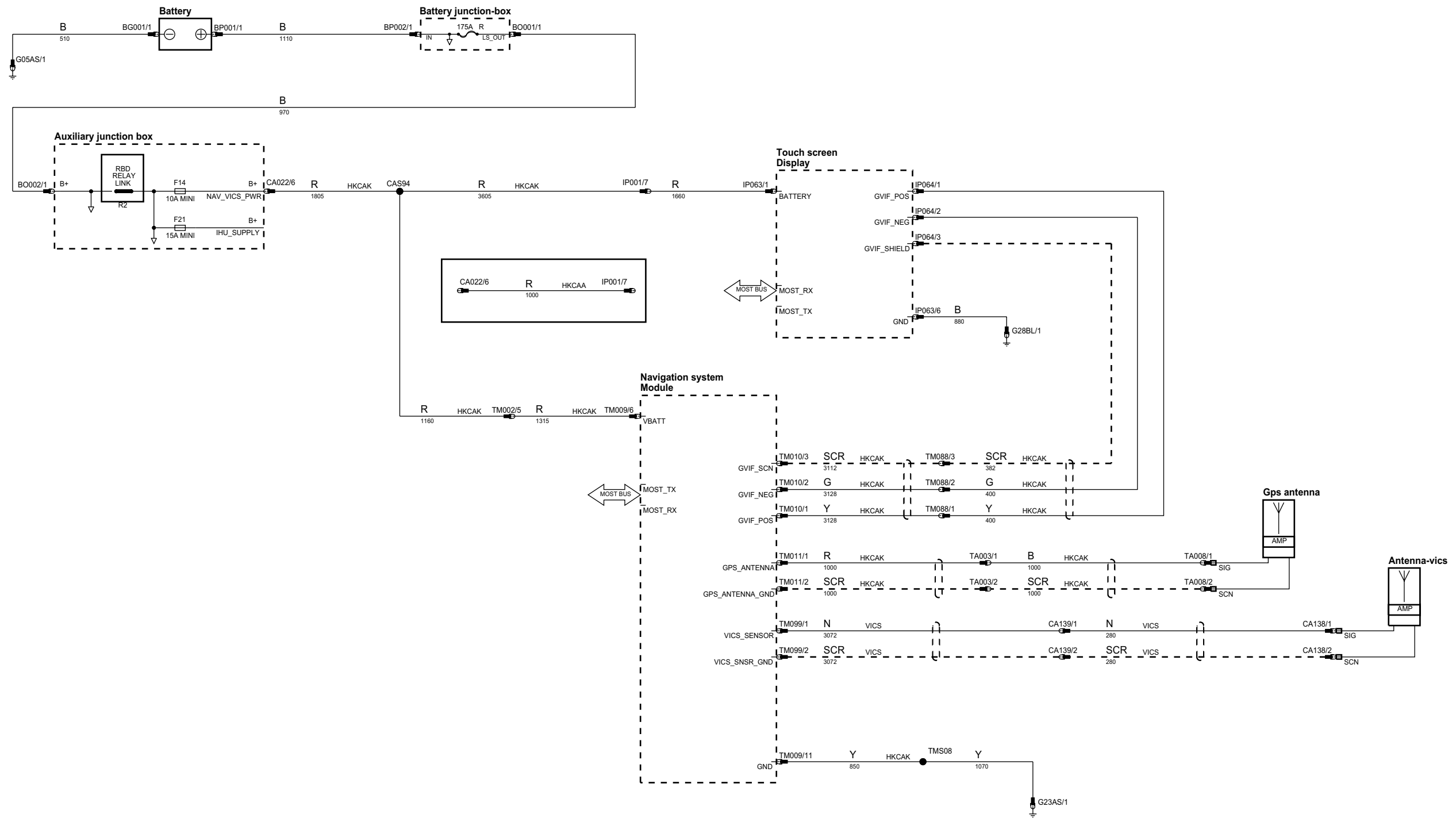
ph0w83-70462-a2-ac



B - Battery Voltage	IP Input	VREF Sensor/Signal Supply V	HS CAN BUS High speed controller area network bus	MOST BUS Media oriented systems transport bus
P Power Ground	OP Output	GFREF Sensor/Signal Ground	MS CAN BUS Medium speed controller area network bus	D Serial and Encoded Data

VARIANT: Yes
 VIN RANGE: All
 DATE OF ISSUE: 03/2008

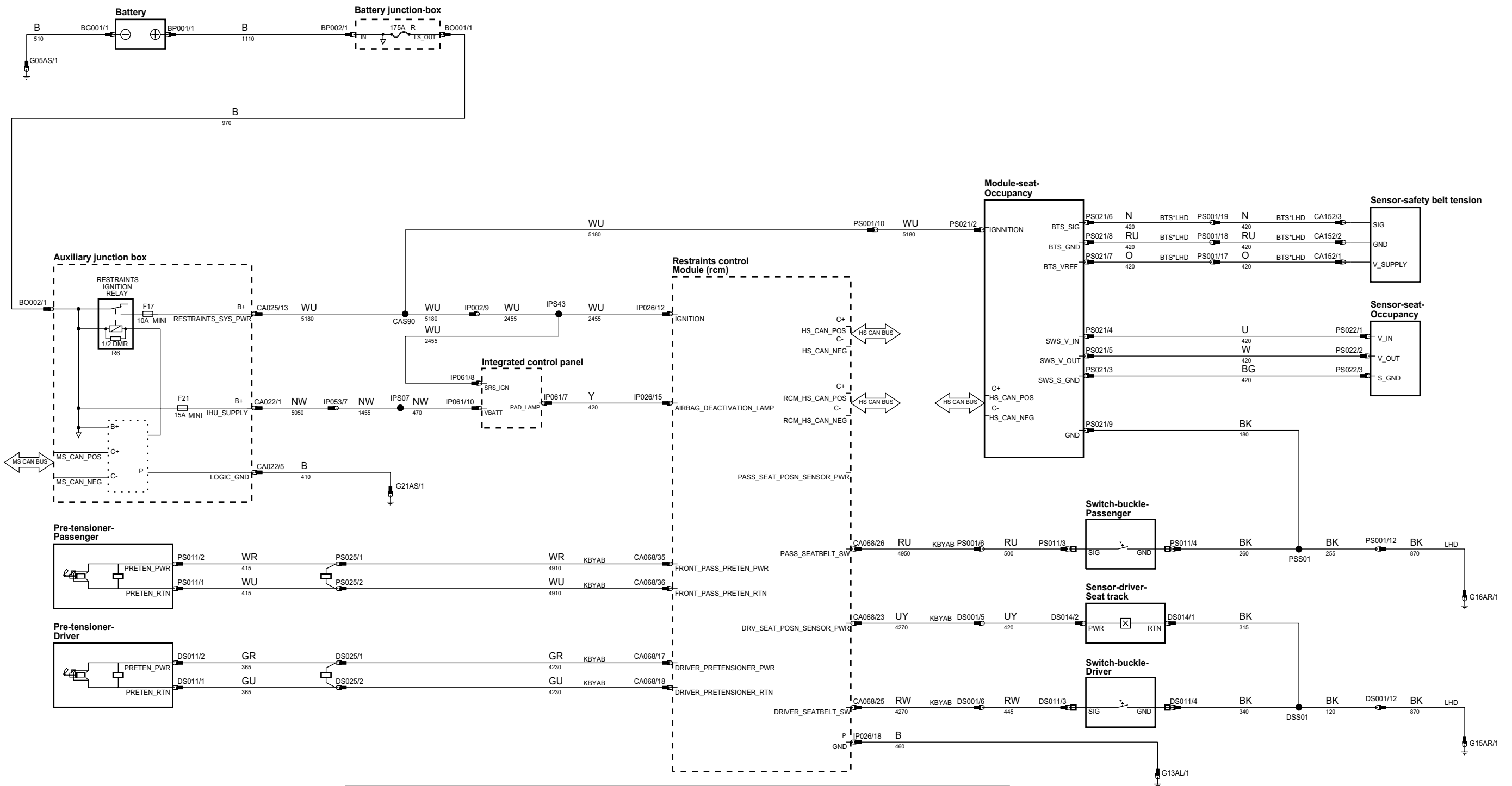
phw83-70478-a-ac



B- Battery Voltage	IP Input	VREF Sensor/Signal Supply V	HS CAN BUS High speed controller area network bus	MOST BUS Media oriented systems transport bus	VARIANT: Yes
P Power Ground	OP Output	GRES Sensor/Signal Ground	MS CAN BUS Medium speed controller area network bus	D Serial and Encoded Data	VIN RANGE: All
					DATE OF ISSUE: 03/2008

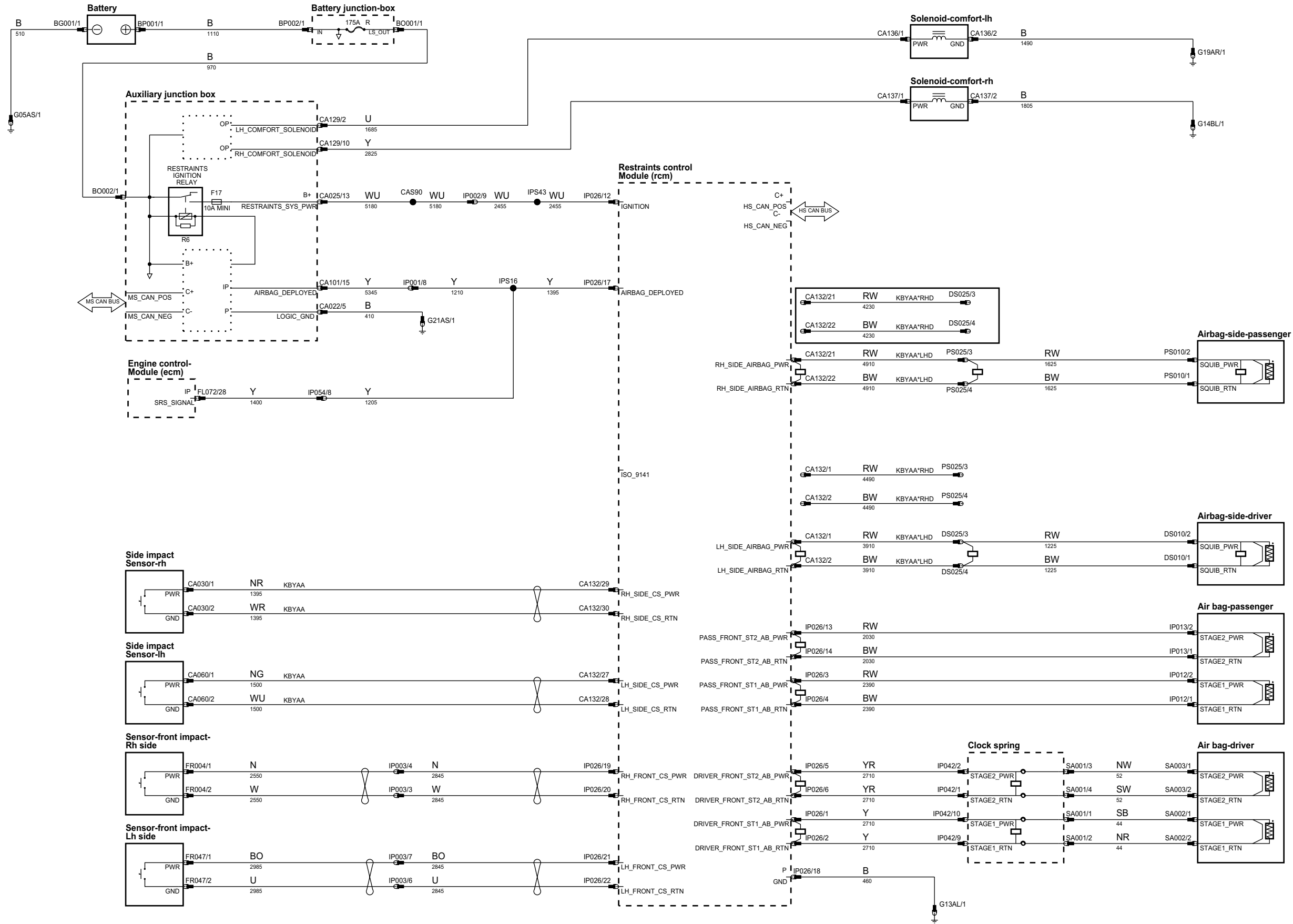
x

phw83-70150-a2-ac



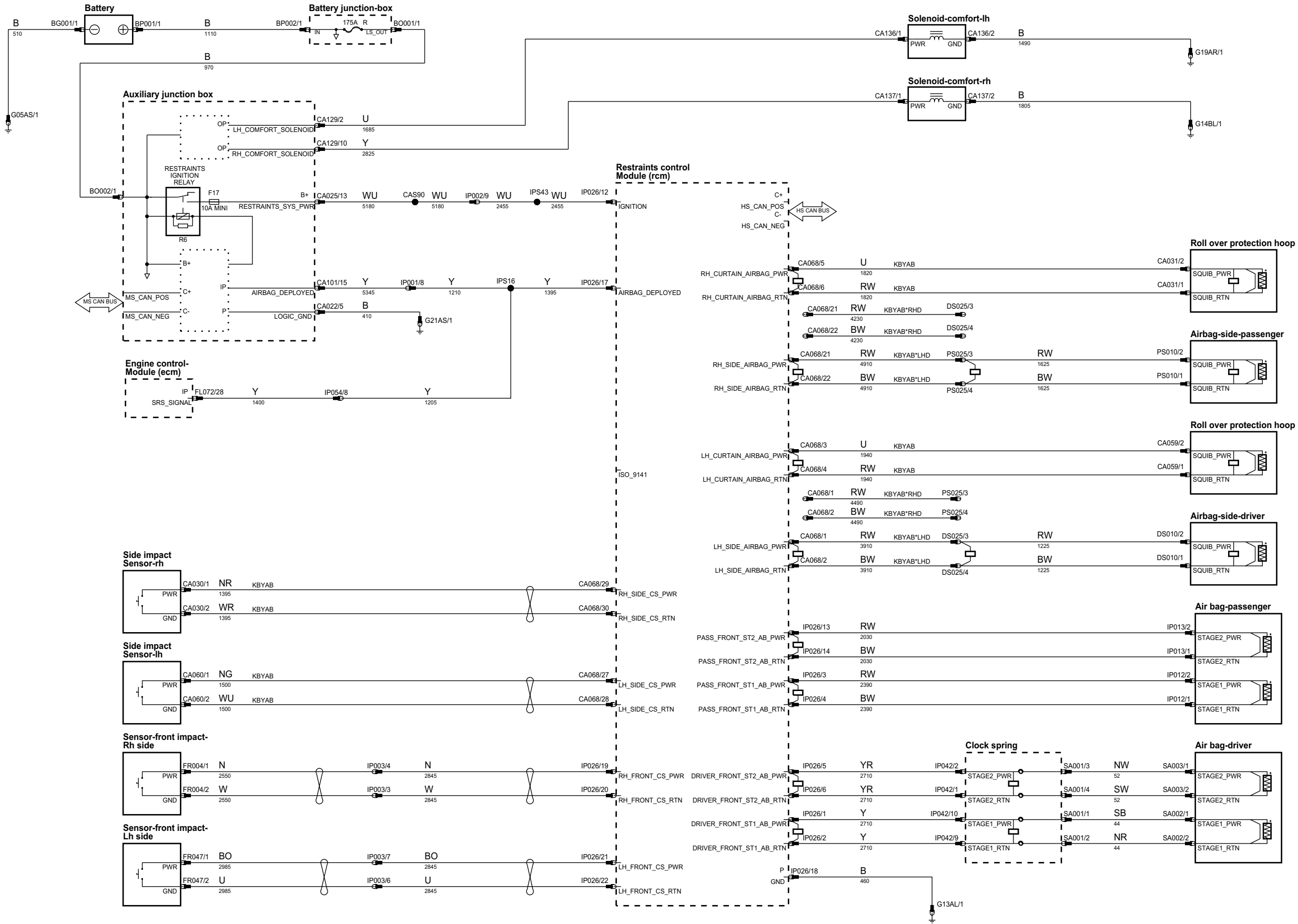
PS025/1	WR	KBYAA	CA132/35	CA068 = Convertible	PS021/6	N	BTS'RHD	PS001/19	N	BTS'RHD	CA152/3
PS025/2	WU	KBYAA	CA132/36		PS021/8	RU	BTS'RHD	PS001/18	RU	BTS'RHD	CA152/2
DS025/1	GR	KBYAA	CA132/17	CA132 = Coupe	PS021/7	O	BTS'RHD	PS001/17	O	BTS'RHD	CA152/1
DS025/2	GU	KBYAA	CA132/18		CA132/26	RU	KBYAA	PS001/6			
					CA132/23	UY	KBYAA	DS001/5			
					CA132/25	RW	KBYAA	DS001/6			

ph8w83-70150-b2-ac



B- Battery Voltage	IP Input	VREF Sensor/Signal Supply V	HS CAN BUS High speed controller area network bus	MOST BUS Media oriented systems transport bus	VARIANT: Yes
P Power Ground	OP Output	GRES Sensor/Signal Ground	MS CAN BUS Medium speed controller area network bus	D Serial and Encoded Data	VIN RANGE: All
					DATE OF ISSUE: 03/2008

ph9w83-70150-b-ac



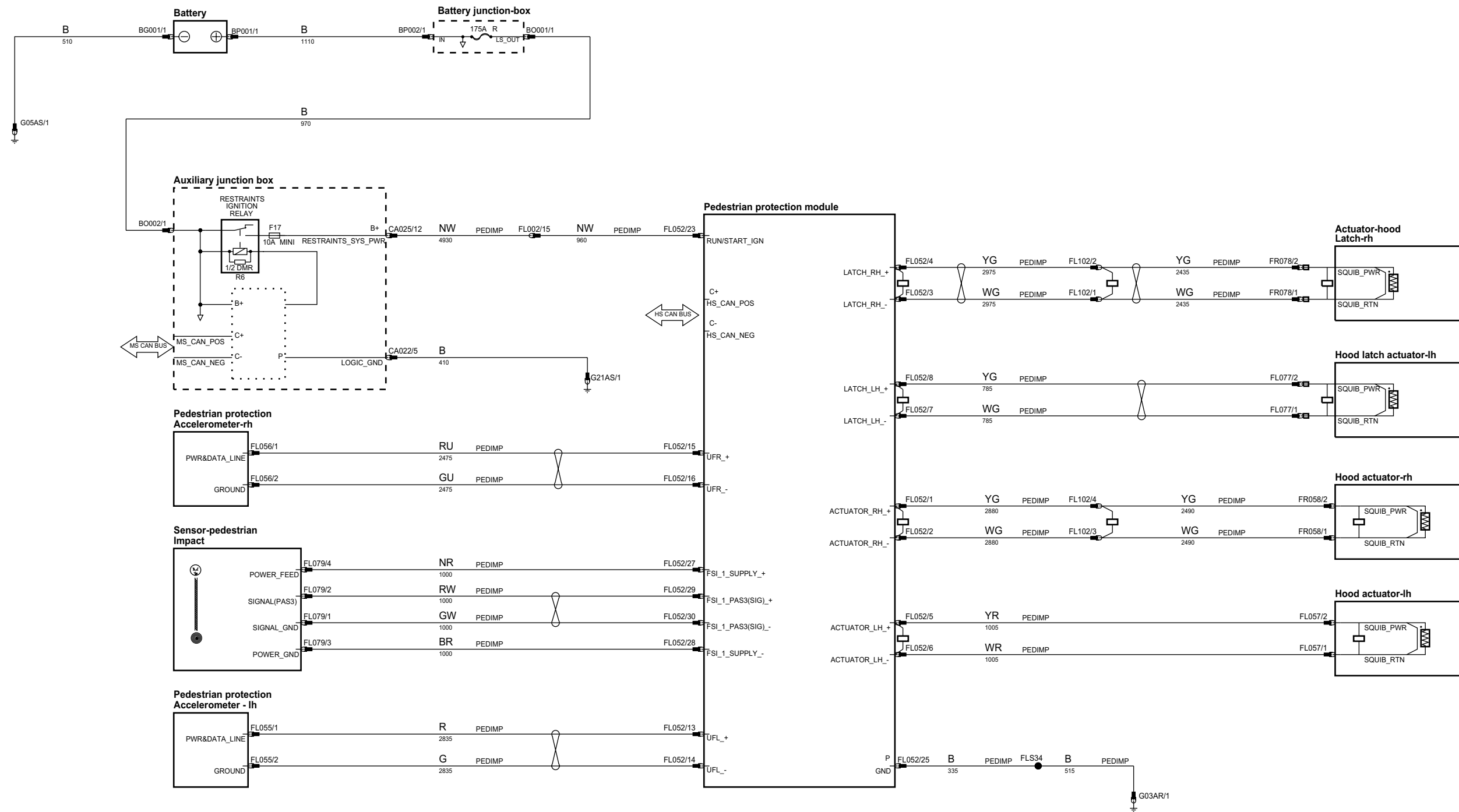
B- Battery Voltage
 P Power Ground
 IP Input
 OP Output
 VREF Sensor/Signal Supply V
 GREF Sensor/Signal Ground

HS CAN BUS High speed controller area network bus
 MS CAN BUS Medium speed controller area network bus

MOST BUS Media oriented systems transport bus
 D Serial and Encoded Data

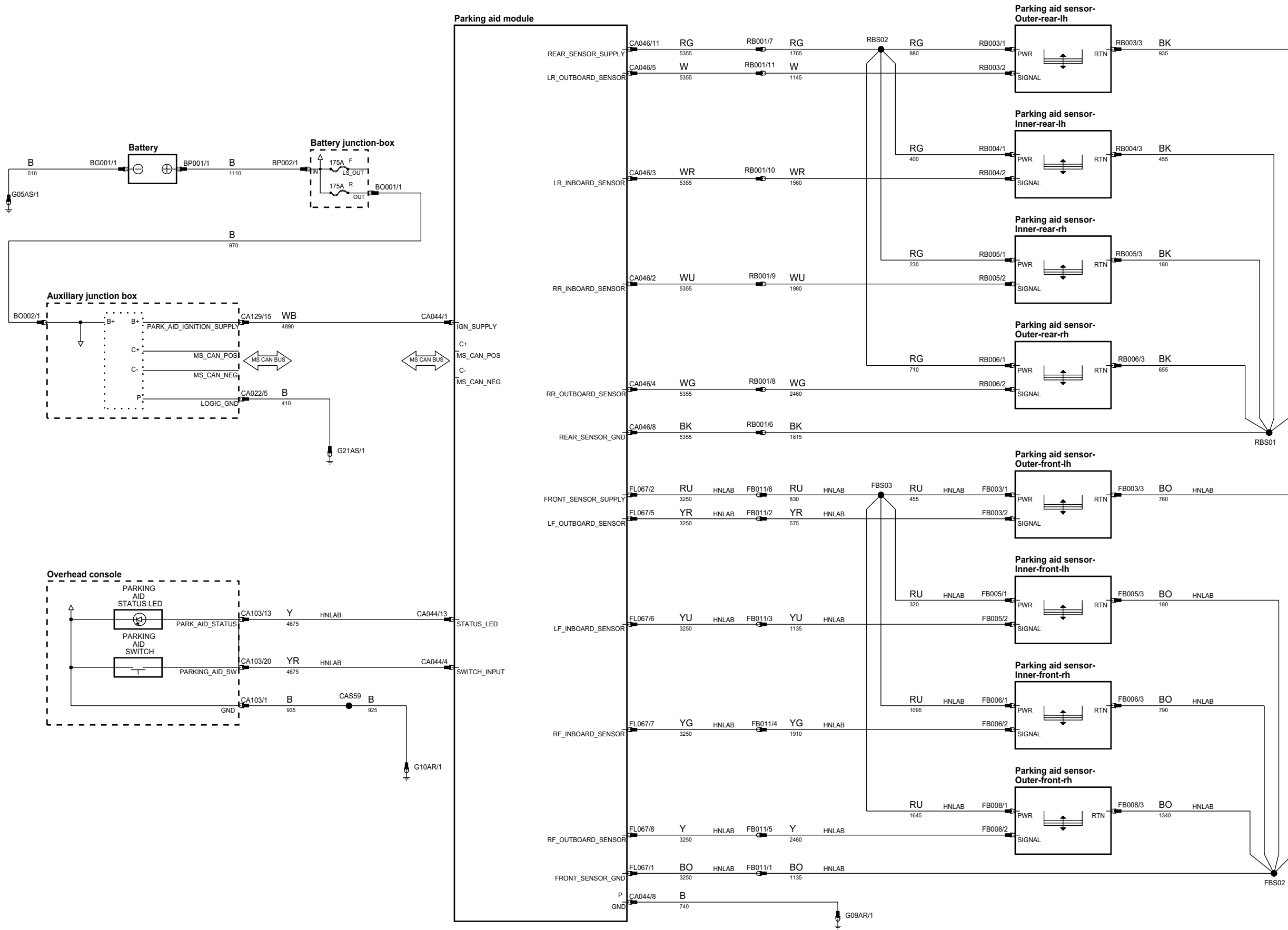
VARIANT: Yes
 VIN RANGE: All
 DATE OF ISSUE: 03/2008

phw83-70152-a-ac



B- Battery Voltage	IP Input	VREF Sensor/Signal Supply V	HS CAN BUS High speed controller area network bus	MOST BUS Media oriented systems transport bus	VARIANT: Yes
P Power Ground	OP Output	GRES Sensor/Signal Ground	MS CAN BUS Medium speed controller area network bus	D Serial and Encoded Data	VIN RANGE: All
					DATE OF ISSUE: 03/2008

phw83-70481-b-ac

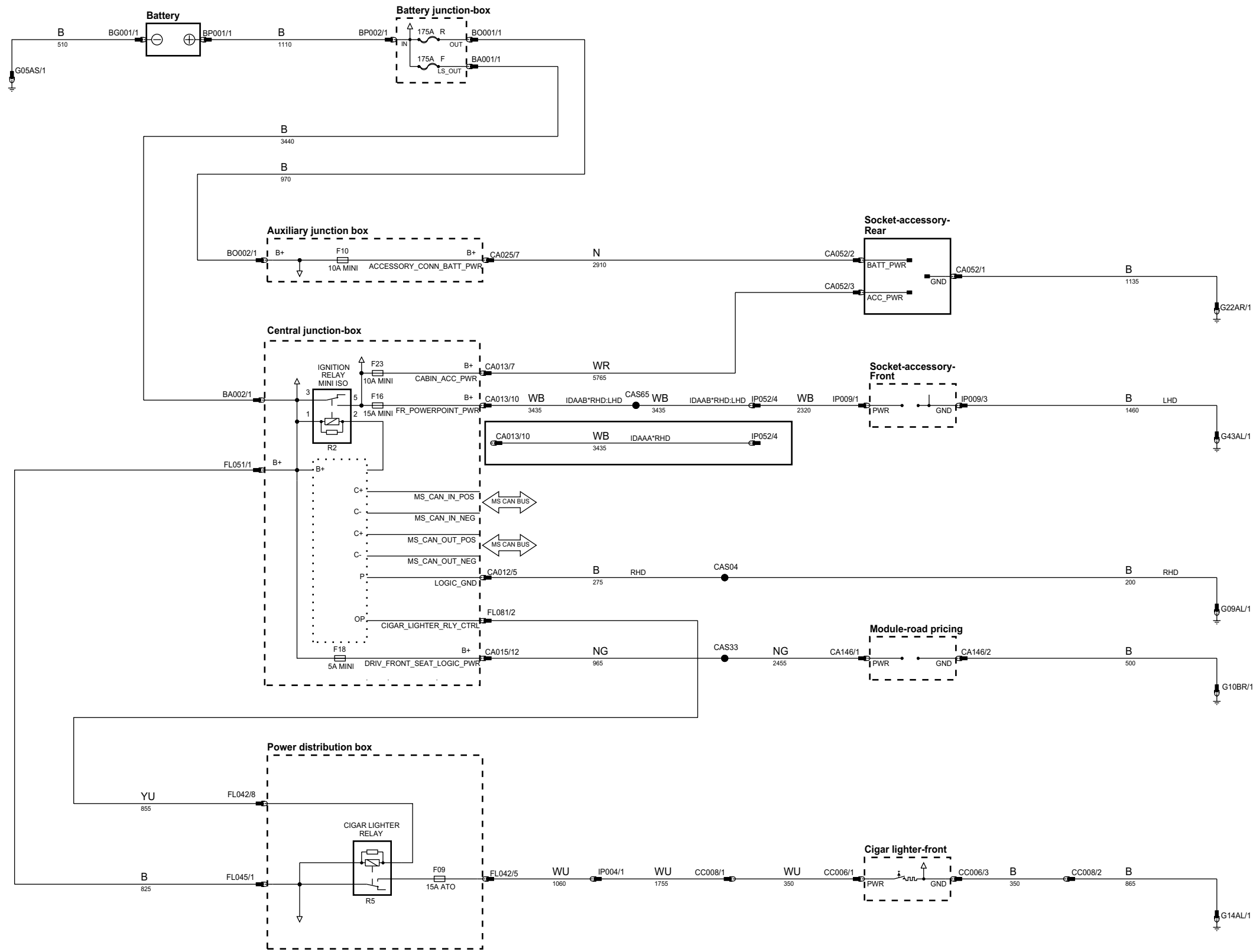


B- Battery Voltage
P Power Ground
IP Input
OP Output
VREF Sensor/Signal Supply V
GREF Sensor/Signal Ground

HS CAN BUS High speed controller area network bus
MS CAN BUS Medium speed controller area network bus

MOST BUS Media oriented systems transport bus
D Serial and Encoded Data

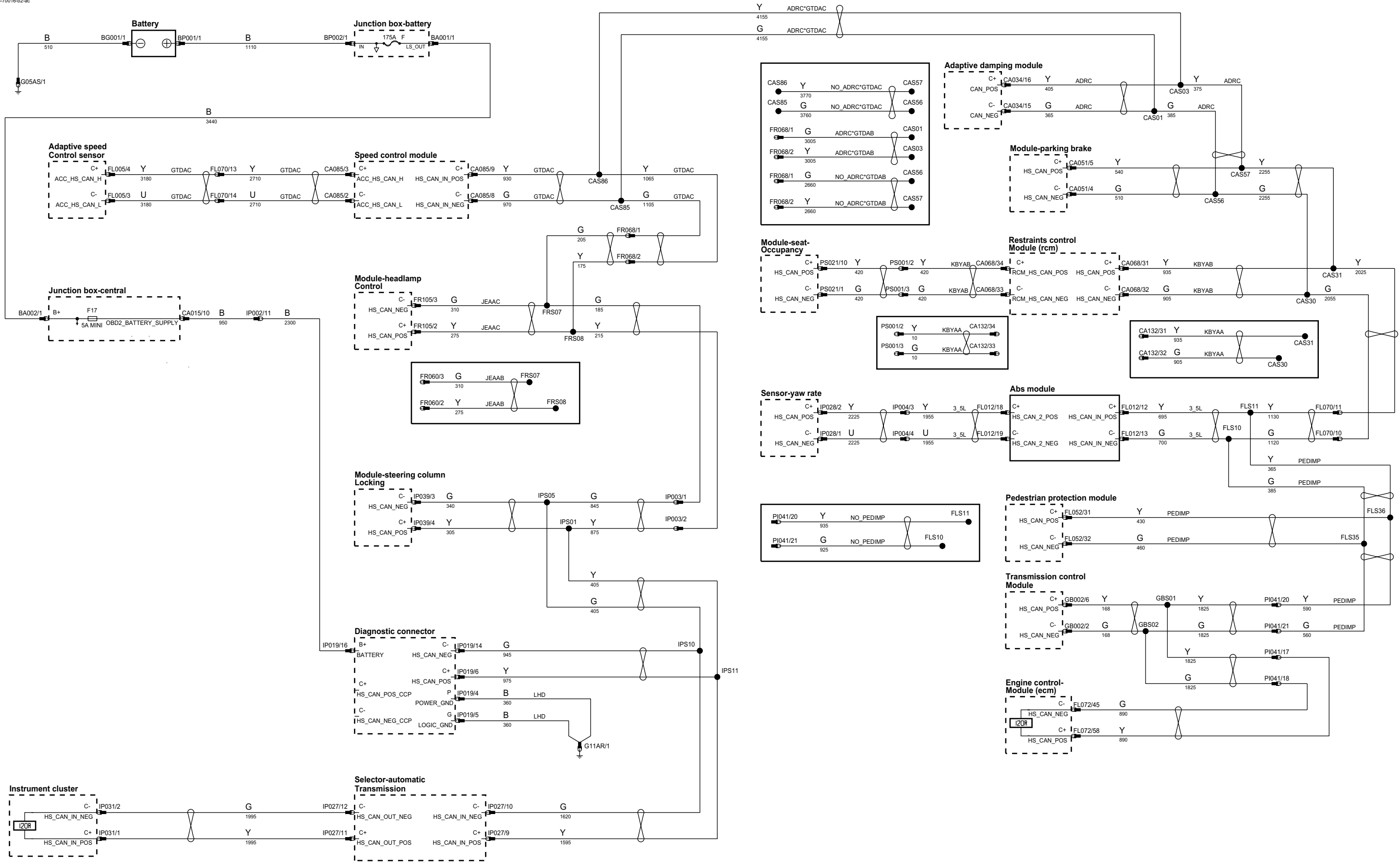
VARIANT: All
VIN RANGE: All
DATE OF ISSUE: 03/2008



B+ Battery Voltage	IP Input	VREF Sensor/Signal Supply V	HS CAN BUS High speed controller area network bus	MOST BUS Media oriented systems transport bus
P Power Ground	OP Output	GREF Sensor/Signal Ground	MS CAN BUS Medium speed controller area network bus	D Serial and Encoded Data

VARIANT: All
 VIN RANGE: All
 DATE OF ISSUE: 03/2008

ph9w83-70016-b2-ac



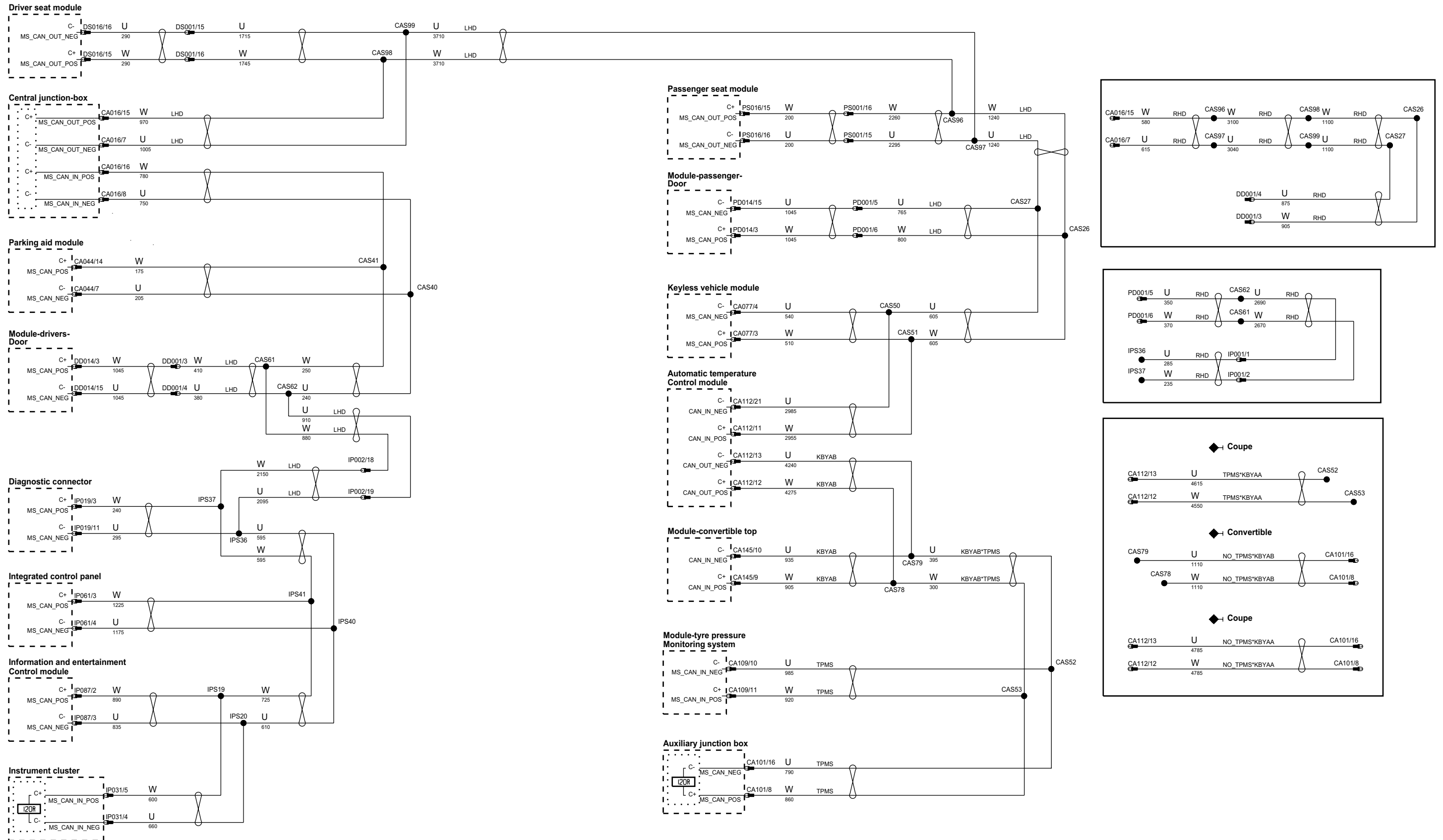
B- Battery Voltage
 IP Input
 P Power Ground
 VREF Sensor/Signal Supply V
 OP Output
 GREF Sensor/Signal Ground

HS CAN BUS High speed controller area network bus
 MS CAN BUS Medium speed controller area network bus

MOST BUS Media oriented systems transport bus
 D Serial and Encoded Data

VARIANT: All
 VIN RANGE: All
 DATE OF ISSUE: 03/2008

ph7w83-70016-a2-ab



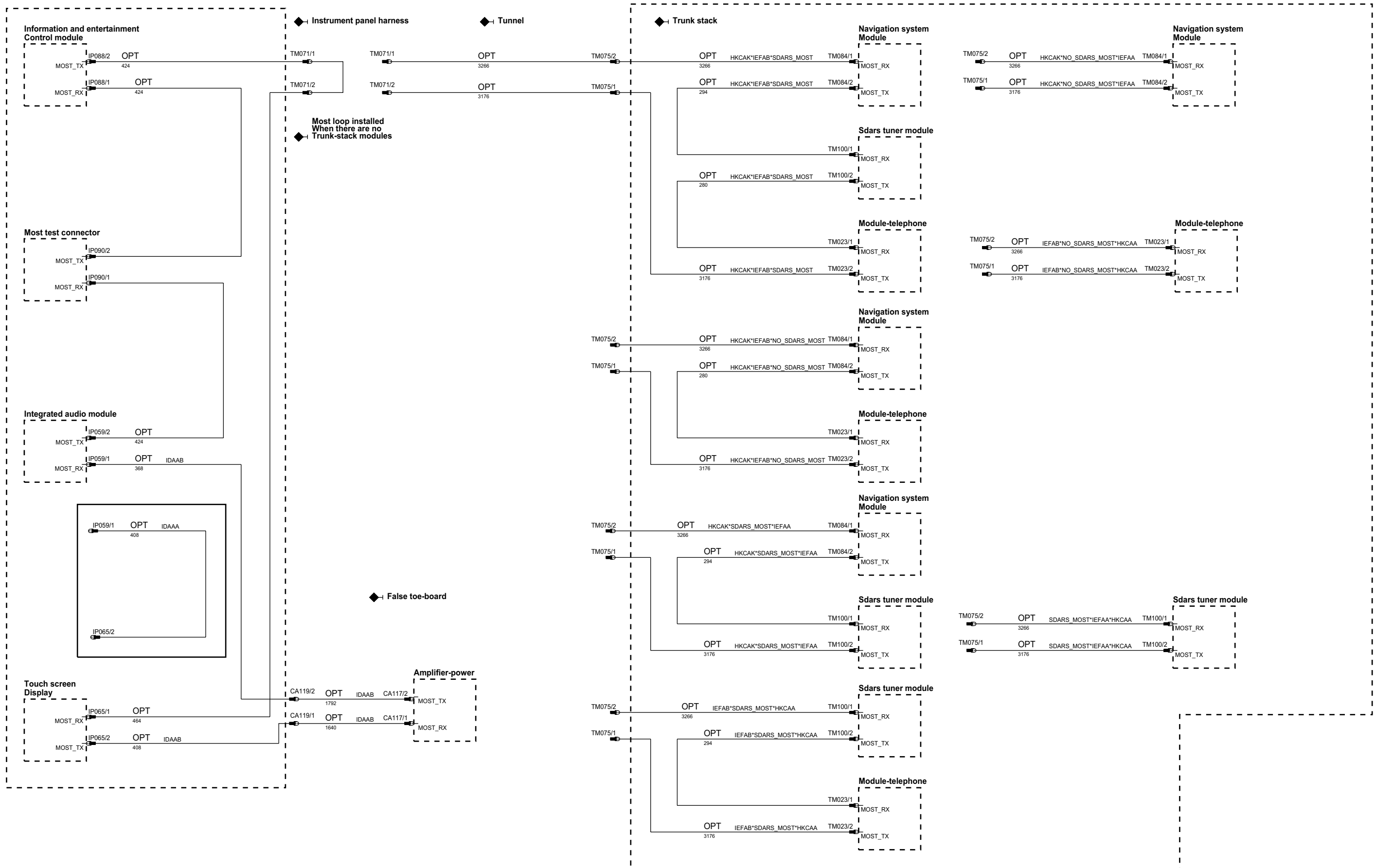
B- Battery Voltage
P Power Ground
IP Input
OP Output
VREF Sensor/Signal Supply V
GREF Sensor/Signal Ground

HS CAN BUS High speed controller area network bus
MS CAN BUS Medium speed controller area network bus

MOST BUS Media oriented systems transport bus
D Serial and Encoded Data

VARIANT: All
VIN RANGE: All
DATE OF ISSUE: 03/2008

ph7w83-70016-c2-ab



B: Battery Voltage	IP: Input	VREF: Sensor/Signal Supply V	HS CAN BUS: High speed controller area network bus	MOST BUS: Media oriented systems transport bus	VARIANT: All
P: Power Ground	OP: Output	GREF: Sensor/Signal Ground	MS CAN BUS: Medium speed controller area network bus	D: Serial and Encoded Data	VIN RANGE: All
					DATE OF ISSUE: 03/2008

