

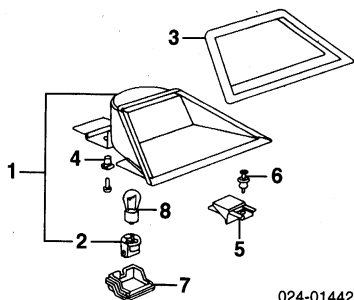
JAGUAR S-TYPE 2000-05

REAR LAMPS Cont'd

COMBINATION LAMP Cont'd			
1 Lens & Hsg, Rear	95-98 R/L	63 21 8 360 082-1	.4 172.00
	99-01 R/L	63 21 8 381 250-49	.4 172.00
2 Gasket, Lens/Body		R/L 63 21 8 360 083	7.60
3 Socket, Bulb			
5 Watt Bulb (2/Side)	95-98 R/L	63 21 1 387 364	#2 7.50
	99-01 R/L	63 21 8 381 243	#2 5.00
21 Watt Bulb (3/Side)	95-98 R/L	63 21 1 387 365	#2 7.50
	99-01 R/L	63 21 8 381 244	#2 5.00
4 Bulb			
5 Watt (2/Side)	95-98 R/L	07 11 9 905 336	#2 1.20
	99-01 R/L	63 21 7 160 793	#2 3.10
21 Watt (3/Side)	R/L	63 21 7 160 790	#2 2.95

#R&R One or All One Side

HIGH MOUNT STOP LAMP



024-01442

1 Lens & Housing Assy	63 25 8 352 886	.3	72.25
2 Socket, Bulb	63 21 8 355 883		6.10
*Included w/Lens & Housing Assy			
3 Gasket, Lamp/Glass	63 25 8 352 887		11.40
4 Nut, Expanding	63 12 1 374 075		.25
5 Brkt, Rear (2)	63 25 8 359 509		.85
6 Rivet, Push	51 48 1 938 725		.30
*As Required			
7 Cover, Bulb	63 25 8 360 105		2.54
8 Bulb, Stop Lamp (21 Watt)	63 21 7 160 790		2.95

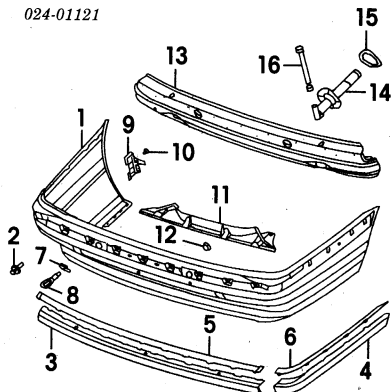
REAR BUMPER

Use Procedure Explanations 27 and 28 with the following text.

Refinish Rear Cover	1.8
Add for 2 Tone	1.0
Refinish Tow Hook Cover	.2
R&I Bumper Assy	.8
O/H Bumper Assy (Includes R&I)	2.0
Add to R&R or O/H Bumper Assy w/Park Distance Control	.3

NOTE: All Parts in this section are included in overhaul unless noted otherwise.

024-01121



1 Cover, Rear Bumper			
Body Color	51 12 0 000 373	2.0	0.00
Paint to Match	51 12 8 173 090	2.0	497.00
*Order by Color Code			
2 Rivet, Cover	51 11 8 174 185		.13
*As Required			
3 Strip, Center Impact			
w/Park Distance Control	51 12 8 169 689	.3	53.25
w/o Park Distance Control	51 12 8 125 413	.3	53.25
4 Strip, Outer Impact			
w/Park Distance Control	R/L 51 12 8 169 686-5	.3	35.25
w/o Park Distance Control	R/L 51 12 8 125 412-1	.3	28.50
5 Midg, Ctr Strip			
Black	51 12 8 211 576	#3	102.00
Chrome	51 12 8 125 435	#3	69.50
6 Midg, Otr Strip			
Black	R/L 51 12 8 211 582-1	#3	51.00

Chrome	R 51 12 8 125 434	#3	32.00
	L 51 12 8 125 433	#3	35.75
#R&R Complete w/Impact Strip			
7 Cover, Tow Hook (P)	51 12 8 164 806		8.60
(P) Paint to Match			
8 Hook, Tow	72 15 8 108 670		19.60
9 Holder, Side	R/L 51 11 1 970 389		5.40
10 Screw, Hex (2/Side)	R/L 07 11 9 916 966		.25
11 Cover, Lower	51 12 8 125 424		19.70
12 Nut, Body (4)	51 48 1 954 067		.30
13 Bar, Reinforcement	51 12 8 150 422	IOH	240.00
14 Absorber, Impact	R/L 51 12 8 150 418-7	#3	115.00
#w/Bumper Assy Removed, Not Included in O/H			
15 Gasket, Absorber/Body	R/L 51 12 8 157 195		1.76
16 Bolt, Absorber	R/L 07 11 9 920 070		.89
Control, Park Distance-See Front Bumper Section			

JAGUAR S-TYPE 2000-05

SECTION INDEX

A/C HEATER/VENTILATION	639
A/C REFRIGERANT CAPACITIES	639
ABS/BRAKES	641
AIR BAG SYSTEM	640
AIR CLEANER	645
BACK WINDOW	659
CENTER CONSOLE	650
CLEAR COAT IDENTIFICATION	632
COOLING	635
COWL & DASH	648
ELECTRICAL	646
EMISSION SYSTEM	646
ENGINE	644
ENGINE OIL COOLER	638
ENGINE/TRANS MOUNTS	645
EXHAUST	646
FRONT BUMPER	633
FRONT DOOR	654
FRONT FENDER	639
FRONT INNER STRUCTURE	640
FRONT LAMPS	634
FRONT SEAT	651
FRONT STEERING LINKAGE/GEAR	643
FRONT SUSPENSION	642
FUEL TANK	661
GRILLE	634
HOOD	635
INFORMATION LABELS	633
INSTRUMENT PANEL	648
LUGGAGE LID	660
PAINT CODE LOCATION	632
QUARTER PANEL	659
REAR BODY	662
REAR BUMPER	663
REAR DOOR	657
REAR DRIVE AXLE	661
REAR LAMPS	662
REAR SEAT	652
REAR SUSPENSION	660
ROCKER/PILLARS/FLOOR	650
ROOF	658
SEAT BELTS	654
SPECIAL CAUTIONS	632
STEERING PUMP	643
STEERING WHEEL/COLUMN	643
SUNROOF	659
SUPERCHARGER	646
TRANS OIL COOLER	638
UNDERHOOD DIMENSIONS	639
WHEEL	641
WINDSHIELD	647

SPECIAL CAUTIONS

SUPPLEMENTAL RESTRAINT SYSTEM

Refer to Procedure Explanation 29 for Supplemental Restraint/Air Bag Special Cautions.

ELECTRICAL COMPONENTS

Ignition must be in off position before any electrical repair is performed.

SUSPENSION

Manufacturer advises that some new fasteners must be used whenever old fasteners are loosened or removed.

WELDING

Before initiating any repair involving the use of an electric welder, the ignition must be in the off position and both battery terminals disconnected.

PAINT CODE LOCATION

Paint code located on left front door jamb.

CLEAR COAT IDENTIFICATION

All colors are clear coat.

INFORMATION LABELS

Label, A/C	XR8022427	6.40
Label, Coolant	XR8013289	2.75
*Order by Application		
Label, Fan Caution-See Cooling Section		
Label, Fuel	C2C018300	1.35
Label, Emission	XR8045341	4.65
Label, Vacuum	XR8033434	5.40
*Order by Application		

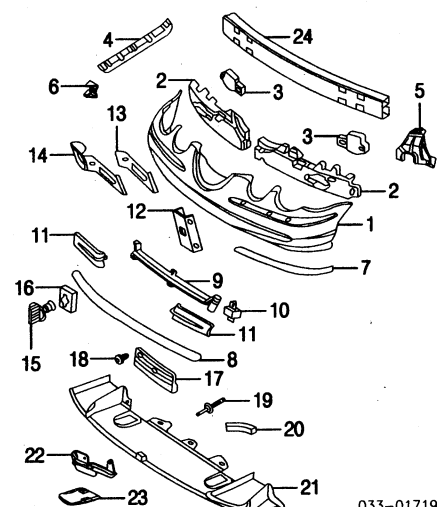
FRONT BUMPER

Use Procedure Explanations 1 and 28 with the following text.

2000-02

Refinish Front Cover	2.4
Refinish Outer Moulding	R/L .4
Refinish Air Deflector	.5
Refinish Reinforcement Bar	1.0
R&I Bumper Assy	#1.8
O/H Bumper Assy (Includes R&I)	#2.8
*Includes R&I/R&R Fender Liners & Grille	
Add to R&R or O/H Front Bumper w/ H/Lamp Washers	.3

NOTE: All Parts in this section are included in overhaul unless noted otherwise.



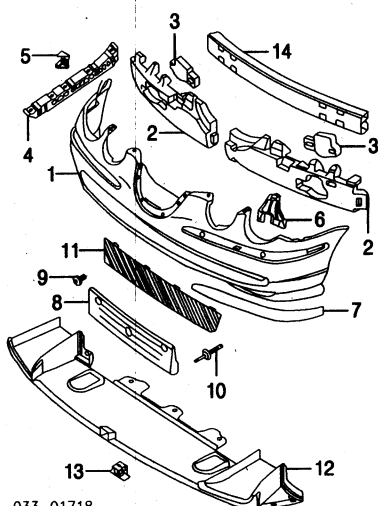
033-01719

1 Cover, Front (P) w/ H/Lamp Washers w/o H/Lamp Washers (P) Paint to Match	XR8007633XXX XR8007632XXX	#2.8 #2.8	705.00 645.00
2 Absorber, Impact	R/L XR8036543-4	#2	99.05
*w/Bumper Assy Removed			
3 Insert, Impact Absorber	R/L XR8010580-1		10.30
4 Bracket, Side Mounting	R XR8026634 L XR8026635		25.25 26.40
5 Bracket, Mounting	R/L XR8002145-6		25.00
6 Retainer, Cover	R/L XR8011451-2		2.75
7 Moulding, Outer Chrome Paint to Match	R/L XR8007628-9 R XR8026424XXX L XR8026425XXX	.2 .2 .4	89.65 91.60 69.00
8 Deflector, Outer Air (P) (P) Paint to Match	XR8029429		70.60
9 Deflector, Inner Air	R/L XR8029544-5		11.30
10 Bracket, Air Deflector	R XR8029433		42.45
11 Cover, Deflector	L XR8029435 XR8007611		42.45 10.90
12 Moulding, Center Midg, Lamp Opening w/Fog Lamps	R XR8017164 L XR8007616 R XR8017167 L XR8007638	.3 .3 .3 .3	21.05 19.55 43.45 27.90
14 w/o Fog Lamps			
15 Clip, Front Cover (3)	XR8007653		7.05
16 Nut, Front Cover (3)	XR8007651		3.80
17 Bracket, License	XR8002147		13.95
18 Screw, License Bracket	R/L XR8008674		1.95
19 Rivet, License Bracket (3)	XR8013185		1.80
20 Pad, Insulator Small Large	R/L XR8012722 R/L XR8017826		5.75 2.60
21 Panel, Valance	XR8025035	.3	228.35
22 Duct, Air	R/L XR8025033-4		9.10
23 Duct, Brake Cooling	R/L XR8025036-7		56.80
24 Bar, Reinforcement (P) (P) Paint to Match	XR8039116	#1.0	264.00
*w/Bumper Assy Removed, Not Included in O/H			

2003 W/SUPERCHARGER

Refinish Front Cover	2.4
Refinish Outer Moulding	R/L .4
Refinish Reinforcement Bar	1.0
R&I Bumper Assy	#1.8
O/H Bumper Assy (Includes R&I)	#2.8
*Includes R&I/R&R Fender Liners & Grille	
Add to R&R or O/H Front Bumper w/ H/Lamp Washers	.3

NOTE: All Parts in this section are included in overhaul unless noted otherwise.



033-01718

1 Cover, Front (P) w/ H/Lamp Washers w/o H/Lamp Washers (P) Paint to Match	XR8029442XXX XR8029443XXX	#2.8 #2.8	650.00 680.00
*Includes R&I/R&R Fender Liners & Grille			
2 Absorber, Impact	R/L XR8036543-4	#2	99.05
*w/Bumper Assy Removed			
3 Insert, Impact Absorber	R/L XR8010580-1		10.30
4 Bracket, Side Mounting	R XR8026634 L XR8026635		25.25 26.40
5 Retainer, Cover To VIN M45254 From VIN M45255	R/L XR8011451-2 R/L XR8030258-9		2.75 2.75
6 Bracket, Mounting	R/L XR8002145-6		25.00
7 Moulding, Outer (P)	R XR8026424XXX L XR8026425XXX	.2 .2	91.60 91.60
8 Bracket, License	XR8002147		13.95
9 Screw, License Bracket	R/L XR8008674		1.95
10 Rivet, License Bracket (3)	XR8013185		1.80
11 Mesh, Grille w/Engine Heater w/o Engine Heater	XR8029431 XR8029430		137.20 137.20
12 Panel, Valance	XR8027703		219.70
13 Clip, Mounting (3)	XR8007988		1.10
14 Bar, Reinforcement (P) (P) Paint to Match	XR8039116	#1.0	264.00
*w/Bumper Assy Removed, Not Included in O/H			

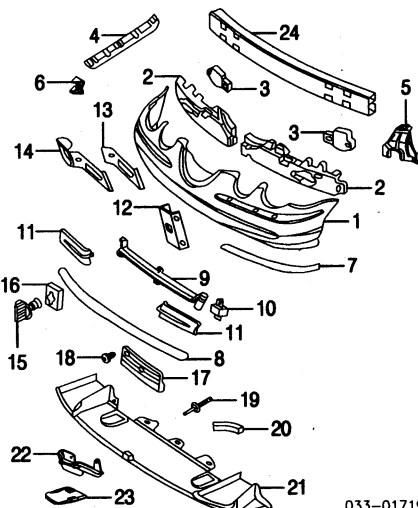
2003 W/O SUPERCHARGER

Refinish Front Cover	2.4
Refinish Outer Moulding	R/L .4
Refinish Air Deflector	.5
Refinish Reinforcement Bar	1.0
R&I Bumper Assy	#1.8
O/H Bumper Assy (Includes R&I)	#2.8
*Includes R&I/R&R Fender Liners & Grille	
Add to R&R or O/H Front Bumper w/ H/Lamp Washers	.3

NOTE: All Parts in this section are included in overhaul unless noted otherwise.

Illustration Located in Next Column

1 Cover, Front (P) w/ H/Lamp Washers w/o H/Lamp Washers (P) Paint to Match	XR8007633XXX XR8007632XXX	#2.8 #2.8	705.00 645.00
*Includes R&I/R&R Fender Liners & Grille			
2 Absorber, Impact	R/L XR8036543-4	#2	99.05
*w/Bumper Assy Removed			
3 Insert, Impact Absorber	R/L XR8010580-1		10.30
4 Bracket, Side Mounting	R XR8026634 L XR8026635		25.25 26.40
5 Bracket, Mounting	R/L XR8002145-6		25.00



033-01719

6 Retainer, Cover To VIN M45254 From VIN M45255	R/L XR8011451-2 R/L XR8030258-9		2.75 2.75
7 Moulding, Outer Chrome Paint to Match	R/L XR8007628-9 R XR8026424XXX L XR8026425XXX XR8029588	.2 .2 .2 .4	89.65 91.60 91.60 69.00
8 Deflector, Outer Air (P) (P) Paint to Match	XR8029429		70.60
9 Deflector, Inner Air	R/L XR8029544-5		11.30
10 Bracket, Air Deflector	R XR8029433		42.45
11 Cover, Deflector	L XR8029435 XR8007611		42.45 10.90
12 Moulding, Center Midg, Lamp Opening w/Fog Lamps	R XR8017164 L XR8007616 R XR8017167 L XR8007638	.3 .3 .3 .3	21.05 19.55 43.45 27.90
14 w/o Fog Lamps			
15 Clip, Front Cover (3)	XR8007653		7.05
16 Nut, Front Cover (3)	XR8007651		3.80
17 Bracket, License	XR8002147		13.95
18 Screw, License Bracket	R/L XR8008674		1.95
19 Rivet, License Bracket (3)	XR8013185		1.80
20 Pad, Insulator Small Large	R/L XR8012722 R/L XR8017826		5.75 2.60
21 Panel, Valance	XR8025035	.3	228.35
22 Duct, Air	R/L XR8025033-4		9.10
23 Duct, Brake Cooling	R/L XR8025036-7		56.80
24 Bar, Reinforcement (P) (P) Paint to Match	XR8039116	#1.0	264.00
*w/Bumper Assy Removed, Not Included in O/H			

2004-05 W/SUPERCHARGER

Refinish Front Cover	2.4
Refinish Parktronic Sensor	R/L .2
Refinish Outer Moulding	R/L .4
Refinish Reinforcement Bar	1.0
R&I Bumper Assy	#1.8
O/H Bumper Assy (Includes R&I)	#2.8
*Includes R&I/R&R Fender Liners & Grille	
Add to R&R or O/H Front Bumper w/ H/Lamp Washers	.3

NOTE: All Parts in this section are included in overhaul unless noted otherwise.

Illustration Located in Next Column

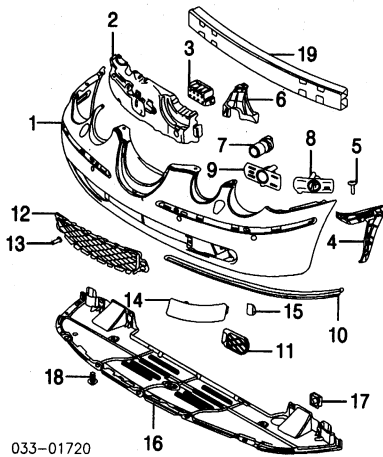
1 Cover, Front (P) w/ H/Lamp Washers w/Proximity Cruise Control w/o Proximity Cruise Control w/o H/Lamp Washers w/Proximity Cruise Control w/o Proximity Cruise Control (P) Paint to Match	XR8049699XXX XR8049697XXX XR8049698XXX XR8049696XXX	#2.8 #2.8 #2.8 #2.8	635.00 635.00 635.00 635.00
*Includes R&I/R&R Fender Liners & Grille			
2 Absorber, Impact	R XR8046167 L XR8046175	#2 #2	73.65 56.50
*w/Bumper Assy Removed			
3 Insert, Impact Absorber	R/L XR8046173-4		11.40
4 Bracket, Side Mounting	R/L XR8049686 L XR8049688		6.45 6.45
5 Rivet, Mounting (3/Side)	R/L XR8035880		.65
6 Bracket, Mounting	R/L XR8002145-6		25.00
7 Sensor, Parktronic (P) (2/Side) (P) Paint to Match	R/L C2C021643XXX	#1	89.20
*w/Bumper Cover Removed			
Bracket, Sensor			

JAGUAR S-TYPE 2000-05

FRONT BUMPER Cont'd

2004-05

W/SUPERCHARGER Cont'd

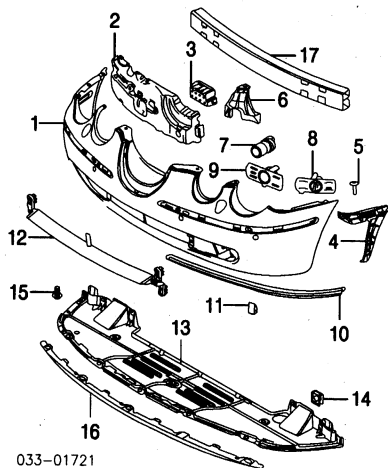


8 Outer	R XR8037205	4.60
	L XR8037208	4.60
9 Inner	R/L XR8037207	4.60
10 Moulding, Outer (P)	R XR8044069XXX	.2 80.75
	L XR8044070XXX	.2 80.75
<i>(P) Paint to Match</i>		
11 Outer	R/L XR8046177-8	159.15
12 Inner		
w/Engine Heater	XR8046159	159.15
w/o Engine Heater	XR8046158	159.15
13 Rivet, Mounting	R/L C2C004628	.65
14 Cover, Opening	R XR8044108XXX	18.10
	L XR8044109XXX	18.10
15 Retainer (4/Side)	R/L C2S011341	2.20
16 Panel, Valance	XR8049684	.3 225.15
17 Nut, Mounting	R/L XR8007652	2.45
18 Bolt, Attaching (9)	XR8002059	1.75
19 Bar, Reinforcement (P)	XR8046090	#1.0 289.00
<i>(P) Paint to Match</i>		
#w/Bumper Assy Removed, Not Included in O/H		

2004-05 W/O SUPERCHARGER

Refinish Front Cover.....	2.4
Refinish Outer Moulding.....	R/L .4
Refinish Parktronic Sensor.....	R/L .2
Refinish Reinforcement Bar.....	1.0
R&I Bumper Assy.....	#1.8
O/H Bumper Assy (Includes R&I).....	#2.8
#Includes R&I/R&R Fender Liners & Grille	
Add to R&R or O/H Front Bumper w/ H/Lamp Washers.....	.3

NOTE: All Parts in this section are included in overhaul unless noted otherwise.

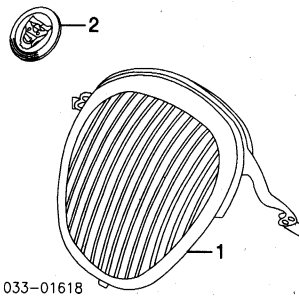


1 Cover, Front (P)		
w/ H/Lamp Washers		
w/ Proximity Cruise Control	XR8049695XXX	#2.8 635.00
w/o Proximity Cruise Control	XR8049693XXX	#2.8 635.00
w/o H/Lamp Washers		
w/ Proximity Cruise Control	XR8049694XXX	#2.8 635.00

w/o Proximity Cruise Control	XR8049692XXX	#2.8 635.00
<i>(P) Paint to Match</i>		
#Includes R&I/R&R Fender Liners & Grille		
2 Absorber, Impact	R XR8046167	#.2 73.65
	L XR8046175	#.2 56.50
#w/Bumper Assy Removed		
3 Insert, Impact Absorber	R/L XR8046173-4	11.40
4 Bracket, Side Mounting	R XR8049685	6.45
	L XR8049687	6.45
5 Rivet, Mounting (3/Side)	R/L XR8035880	.65
6 Bracket, Mounting	R/L XR8002145-6	25.00
7 Sensor, Parktronic (P) (2/Side)	R/L C2C021643XXX	#.1 89.20
<i>(P) Paint to Match</i>		
#w/Bumper Cover Removed		
8 Bracket, Sensor		
Outer	R XR8037205	4.60
	L XR8037208	4.60
Inner	R/L XR8037207	4.60
10 Moulding, Outer		
Chrome	R/L XR8044131-2	.2 81.60
Paint to Match	R XR8044069XXX	.2 80.75
	L XR8044070XXX	.2 80.75
11 Retainer (4/Side)	R/L C2S011341	2.20
12 Deflector, Outer Air	XR8046157	.4 68.45
13 Panel, Valance	XR8049683	.3 225.15
14 Nut, Mounting	R/L XR8007652	2.45
15 Bolt, Attaching (9)	XR8002059	1.75
16 Deflector, Lower	XR8046157	68.45
17 Bar, Reinforcement (P)	XR8046090	#1.0 289.00
<i>(P) Paint to Match</i>		
#w/Bumper Assy Removed, Not Included in O/H		

GRILLE

Refinish Grille.....	.5
R&I Grille Assy.....	.2



1 Grille, Radiator		
w/Supercharger		
03	XR8045003XXX	#.2 436.00
04-05	XR8047243XXX	#.2 383.00
w/o Supercharger		
Base, Vanden Plas		
2000-03		
To VIN M45254	XR8001067	#.2 196.45
From VIN M45255	XR8045002	#.2 201.35
2004-05	XR8040243	#.2 201.35
Sport		
2002-03		
To VIN M45254	XR8027033XXX	#.2 203.00
From VIN M45255 to VIN M86667	XR8045004XXX	#.2 436.00
From VIN M86668	XR8045004XXX	#.2 436.00
2004-05	XR8047244XXX	#.2 374.00
2 Emblem, Grille	00-03 XR8042623	#.2 20.70
	04-05 XR8051456	#.2 21.00
#R&R Complete		
Tape, Black-Out	XR8007386	5.00

FRONT LAMPS

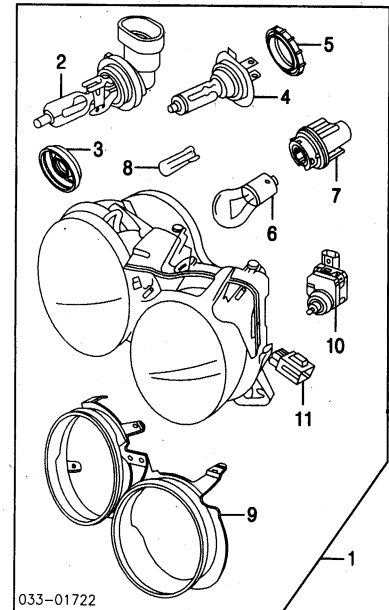
COMBINATION LAMP HALOGEN

Aim Lamps.....	.4
R&I Combination Lamp Assy.....	R/L #.3
#w/Bumper Assy Removed	

NOTE: R&R Does Not include aim lamps.

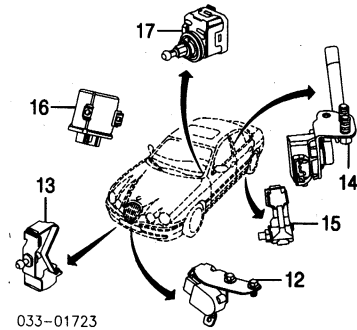
Illustration Located in Next Column

1 Lamp Assy, Combination		
w/ H/Lamp Leveling	R XR8044338	#.3 352.00
	L XR8044342	#.3 352.00
w/o H/Lamp Leveling	R XR8044337	#.3 352.00
	L XR8044341	#.3 352.00
#w/Bumper Assy Removed		
2 Bulb, Low Beam		
w/HID H/Lamps	R/L N.A.	#.2 0.00
w/o HID H/Lamps	R/L XR8012420	#.2 15.45
3 Cap, Low Beam	R/L JLM021245	17.95
4 Bulb, High Beam		
w/HID H/Lamps	R/L N.A.	#.2 0.00
w/o HID H/Lamps	R/L XR8012421	#.2 15.45
5 Cap, High Beam	R/L C2S015085	13.60
6 Bulb, Signal	R/L C2S015075	#.2 10.55
7 Socket, Bulb	R XR8012401	11.40



033-01722

8 Bulb, Park Lamp	L XR8048363	44.80
	R/L XR8012421	#.2 15.45
#R&R One Side Complete		
9 Bezel	R/L JLM021006-7	28.55
10 Leveler, Ring	R/L JLM021005	93.70
11 Harness, Wiring		
w/ H/Lamp Leveling	R/L XR8002061	61.05
w/o H/Lamp Leveling	R/L XR8040776	35.25
<i>†Included w/Combination Lamp Assy</i>		



033-01723

12 Sensor, Front Leveling	XR8026513	.6 148.85
13 Clip, Sensor	XR8032360	10.35
14 Sensor, Rear Leveling	XR8026514	.6 137.45
15 Clip, Sensor	XR8026517	11.40
16 Module, Control	C2P002638	.3 138.65
17 Motor, Stepper (2)	XR8048364	28.10

COMBINATION LAMP HID

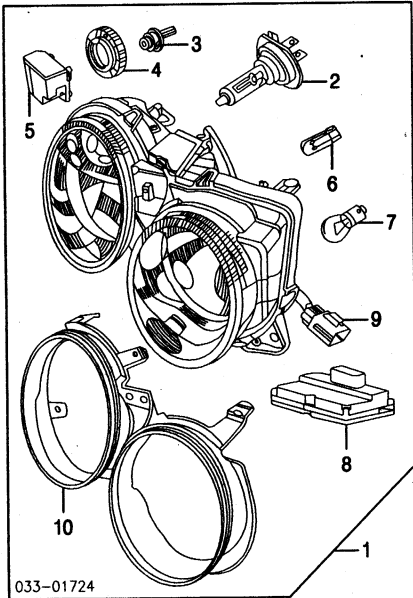
Aim Lamps.....	.4
R&I Combination Lamp Assy.....	R/L #.3
#w/Bumper Assy Removed	

NOTE: R&R Does Not include aim lamps.

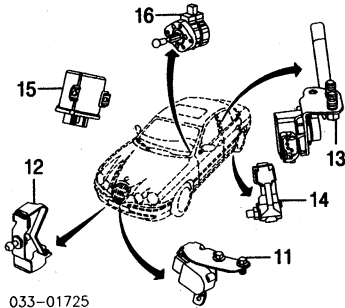
Illustration Located in Next Column

1 Lamp Assy, Combination		
w/Supercharger	R XR8044350	#.3 800.00
	L XR8044356	#.3 800.00
w/o Supercharger	R XR8044347	#.3 800.00
	L XR8044353	#.3 800.00
#w/Bumper Assy Removed		
2 Bulb, High Beam	R/L C2S015071	#.2 11.80
3 Bulb, Low Beam	R/L C2S015072	#.2 173.15
4 Retainer, Bulb	R/L XR80215084	23.55
5 Damper, Combination Lamp	R/L C2S015080	93.65
6 Bulb, Signal	R/L C2S015074	#.2 .75
7 Bulb, Park Lamp	R/L C2S015076	#.2 10.55
#R&R One Side Complete		
8 Module, Power	R/L C2S015079	246.75
9 Harness, Wiring	R/L XR8040779	42.35
10 Bezel	R/L XR8048361-2	21.35
<i>†Included w/Combination Lamp Assy</i>		

JAGUAR S-TYPE 2000-05



033-01724

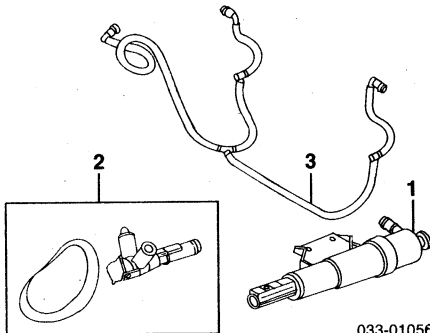


033-01725

11 Sensor, Front Leveling	XR8026513	.6	148.85
12 Clip, Sensor	XR8032360		10.35
13 Sensor, Rear Leveling	XR8026514	.6	137.45
14 Clip, Sensor	XR8026517		11.40
15 Module, Control	C2P002638	.3	138.65
16 Motor, Stepper (2)	XR8048364		28.10

HEADLAMP WASHER

Refinish Nozzle Housing	R/L	.2
-------------------------	-----	----

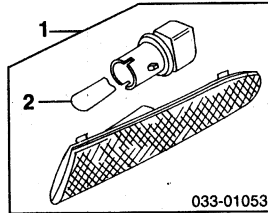


033-01056

1 Nozzle, Washer	R/L XR8002210-1	#.4	57.95
2 Housing, Nozzle (P)	R/L XR8002213-2	#.4	35.90
(P) Paint to Match			
#R&R One Side Complete, w/Combination Lamp Assy Removed, R&R Both Sides .6			
3 Hose, Washer	XR8001955	.8	45.20

SIDE MARKER LAMP

R&I Side Marker Lamp	R/L	#.2
#Included in R&R or O/H Front Bumper		

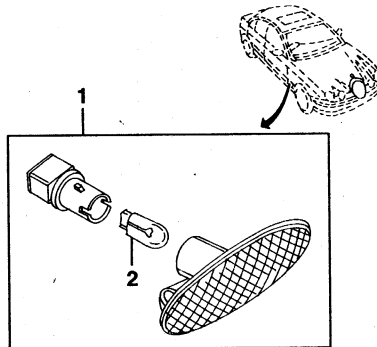


033-01053

1 Lamp Assy, Side Marker	00-03 R/LXR8009964-5	#.2	25.85
	04-05 R XR8047583	#.2	21.85
	L XR8047584	#.2	29.30
#Included in R&R or O/H Front Bumper			
2 Bulb, Side Marker	R/L C2S015074	.2	.75
#Included w/Side Marker Lamp Assy			

SIDE REPEATER LAMP

R&I Side Repeater Lamp	R/L	#.2
#Included in R&R Fender		

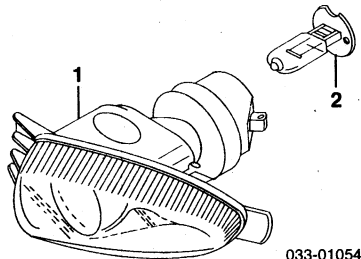


033-01055

1 Lamp Assy, Side Repeater	R/L XR8047225	#.2	13.60
#Included in R&R Fender			
2 Bulb, Side Repeater	R/L C2S015074	.2	.75
#Included w/Side Repeater Lamp Assy			

FOG LAMP 2000-03

R&I Fog Lamp	R/L	#.3
#Included in R&R or O/H Front Bumper		

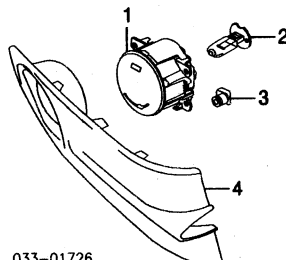


033-01054

1 Lamp, Fog	w/Supercharger R/L C2S001740	#.3	110.40
	w/o Supercharger R/L XR8007608-9	#.3	115.95
#Included in R&R or O/H Front Bumper			
2 Bulb, Fog Lamp	R/L XR8012419	#.2	4.95
#Included in R&I or R&R Fog Lamp			

FOG LAMP 2004-05

R&I Fog Lamp	R/L	#.3
#Included in R&R or O/H Front Bumper		



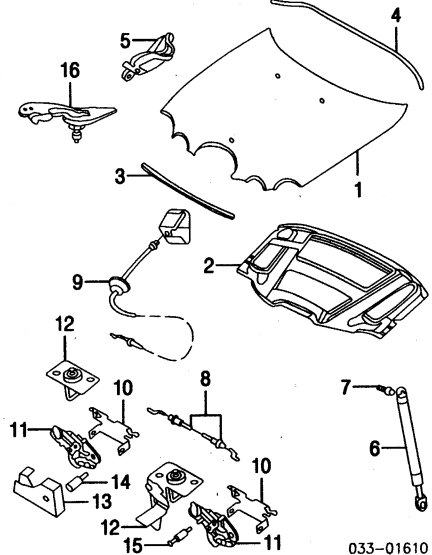
033-01726

1 Lamp, Fog	R/L XR8037532	#.3	91.95
#Included in R&R or O/H Front Bumper			
2 Bulb, Fog Lamp	R/L N.A.	#.2	0.00
#Included in R&I or R&R Fog Lamp			
3 Nut, Lamp Mounting	R/L N.A.		0.00
4 Bezel, Lamp	R/L XR8037486-5		18.10

HOOD

Use Procedure Explanations 4 and 28 with the following text.

Refinish Hood Outside		2.9
Add for Underside		1.5
Refinish Hinge	R/L	.2
Refinish Hood Latch	R/L	.2
Refinish Hood Latch Striker	R/L	.2
R&I Hood Assy		.5
R&I Hood Ornament		.3
R&I Washer Nozzle	R/L	.2



033-01610

1 Panel, Hood	XR8026795	1.7	700.00
2000-02			
2003			
w/Hood Ornament	XR8016825	1.7	700.00
w/o Hood Ornament	XR8016826	1.5	700.00
2004-05			
w/Hood Ornament	XR8033821	1.7	700.00
w/o Hood Ornament	XR8033820	1.5	700.00
2 Insulator, Hood	XR8029536	.5	125.60
2000-02			
2003-05			
3.0L Eng	XR8038348	.5	122.85
4.2L Eng			
w/Supercharger			
To VIN M69442	XR8038349	.5	145.35
From VIN M69443	XR8043159	.5	139.70
w/o Supercharger	XR8038348	.5	122.85
Retainer, Insulator (14)	KRS113130		.90
3 Seal, Front	XR8035416	.2	d15.50
00-03	XR8015411	.2	27.70
04-05	XR8046184	.2	19.25
4 Seal, Rear	00-03 R XR8006027	#.3	41.75
	L XR8047365	#.3	43.05
5 Hinge, Hood	04-05 R/L XR8043312-3	#.3	35.20
#w/Hood Assy Removed			
6 Strut, Support	R/L XR8047319	.2	72.25
7 Pin, Strut	R/L XR8002402		.85
8 Cable, Release	XR8001957	.7	16.15
9 Catch, Hood	XR8026347	.2	47.50
10 Bracket, Release Cable	R/L XR8025872		19.50
11 Latch, Hood (P)	R/L XR8006024	.3	19.45
	R XR8025873		23.10
	L XR8045024		46.65
(P) Paint to Match			
13 Cover, Latch	XR8007789		6.75
14 Retainer, Latch	XR8007787		4.40
15 Striker, Secondary	XR8025870	.2	7.85
16 Ornament, Hood	XR8049743	.3	216.45

COOLING

Use Procedure Explanations 5 and 28 with the following text.

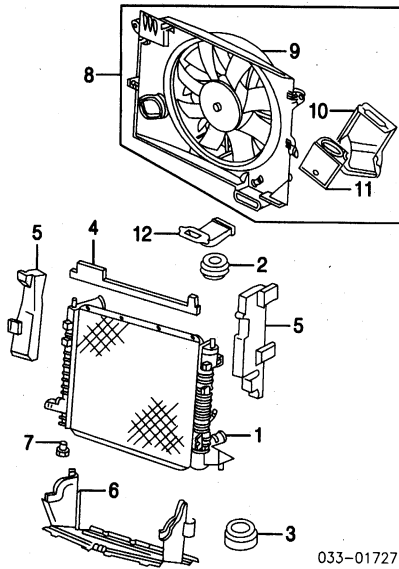
3.0L ENG 2000-02

R&I Radiator		#.2
#Includes R&I/R&R Electric Fan & Motor		

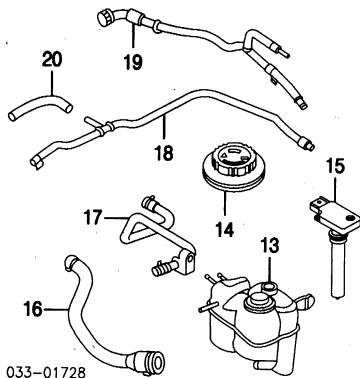
JAGUAR S-TYPE 2000-05

COOLING Cont'd

3.0L ENG 2000-02 Cont'd



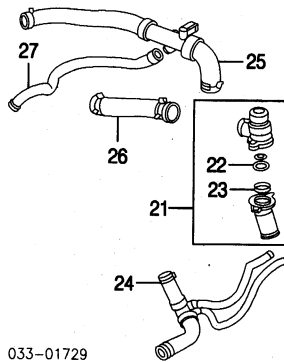
1 Radiator	XR8002935	#3.2	306.00
<i>#Includes R&R/R Electric Fan & Motor</i>			
2 Cushion, Upper Mtg	R/L MNC4243AD		4.90
3 Cushion, Lower Mtg	R/L XR8005023		2.55
4 Seal, Upper	XR8008492		14.55
5 Seal, Side Radiator	R XR8008493		22.10
	L XR8008494		21.35
6 Shield, Lower	XR8002808		29.05
7 Plug, Radiator	XR8003138		1.90
8 Fan & Motor Assy, Electric	XR8002853	#2.4	397.00
<i>#Includes R&R Speed Control Switch & Air Duct Label, Fan Caution]</i>			
9 Shroud, Fan]	XR8002853		397.00
10 Cover, Speed Control]	XR8006420		16.35
11 Switch, Speed Control]	XR8006419	.5	201.15
<i>#Included w/Electric Fan & Motor Assy</i>			
12 Duct, Air	XR8002824	.6	15.20



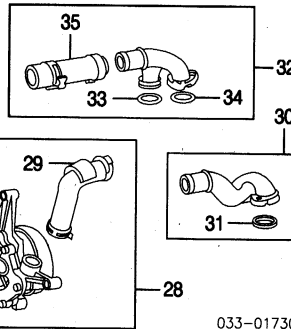
13 Reservoir, Coolant	XR8045310	.5	87.70
14 Cap, Reservoir	XR8050837		10.85
15 Sensor, Coolant	XR8023688		84.80
16 Hose, Reservoir	XR8008094		63.70
17 Hose, No. 1 Return	XR8008095		69.60
18 Hose, Bleed	XR8002885		22.25
19 Hose, No. 2 Return	XR8002887		41.95
20 Hose, Outlet	XR8005292		14.90

Illustration Located in Next Column

21 Thermostat Assy	AJ8001766	1.7	40.60
22 Thermostat (a)	XR8005174		32.55
23 O-Ring, Thermostat (a)	XR8005153		.95
<i>(a) Included w/Thermostat Assy</i>			
24 Hose, Lower Rad	XR8002871	#1.6	70.35
25 Hose, Upper Rad			
To VIN L63863	XR8011918	#1.3	51.60
From VIN L63864	XR8027648	#1.3	63.95
<i>#R&R Both 2.2</i>			



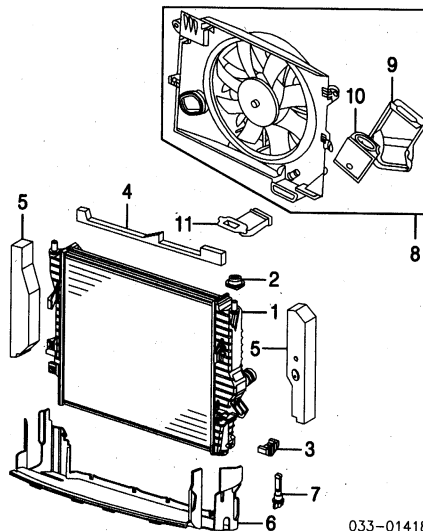
26 Hose, Thermostat	XR8010208	.5	20.25
27 Hose, Coolant			
To VIN L63863	XR8006631	.6	39.80
From VIN L63864	XR8027649	.6	45.05



28 Pump Assy, Water	C2S026232	m 2.5	233.00
29 Hose, Outlet (b)	AJ8009508		19.35
<i>(b) Included w/Water Pump Assy</i>			
30 Pipe Assy, Inlet	XR8003355	1.4	96.45
31 Gasket, Pipe (c)	XR8005431		1.65
<i>(c) Included w/Inlet Pipe Assy</i>			
32 Pipe Assy, Outlet	C2S021128	1.8	82.30
33 O-Ring, Pipe (d)	XR8005356		4.00
34 Seal, Pipe (d)	XR8005353		4.00
35 Hose, Outlet (d)	XR8029579	21.05	
<i>(d) Included w/Outlet Pipe Assy</i>			

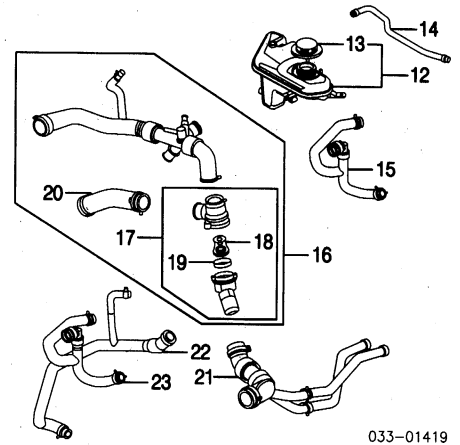
3.0L ENG 2003-05

R&I Radiator			
Man Trans		#3.0	
Auto Trans		#3.2	
<i>#Includes R&R/R Electric Fan & Motor</i>			



1 Radiator			
Man Trans	XR8033764	#3.0	306.00
Auto Trans	XR8047964	#3.2	306.00
<i>#Includes R&R/R Electric Fan & Motor</i>			
2 Cushion, Upper Mtg	R/L C2C001963		11.40
3 Insulator, Lower	R/L C2C001960		3.10

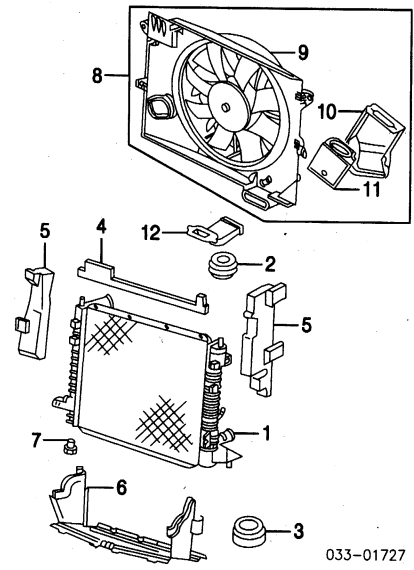
4 Seal, Upper	XR8022420		13.70
5 Seal, Side Radiator	R XR8022422		21.20
	L XR8043879		20.45
6 Shield, Lower	03 XR8018923		30.30
	04 XR8052127		27.80
	05 XR8052127		27.80
7 Plug, Radiator	C2C001467		2.10
8 Fan & Motor Assy, Electric	XR8052101	#2.4	392.00
<i>#Includes R&R Speed Control Switch & Air Duct</i>			
9 Cover, Speed Control]	XR8006420		16.35
10 Switch, Speed Control]	XR8006419	.5	201.15
<i>#Included w/Electric Fan & Motor Assy</i>			
11 Duct, Air	XR8002824	.6	15.20



12 Reservoir Assy, Coolant	XR8052096	.5	85.85
13 Cap, Reservoir (a)	XR8050837		10.85
<i>(a) Included w/Coolant Reservoir Assy</i>			
14 Hose, Bleed	XR8049442		19.95
15 Hose, Reservoir	XR8049447		23.90
16 Hose Assy, Upper Radiator			
To VIN M68513	XR8026065	2.0	63.95
From VIN M68514	XR8049445	2.0	149.15
17 Outlet Assy, Thermostat (b)	AJ8001766		40.60
18 Thermostat (b) (c)	XR8005174	1.7	32.55
19 Seal, Thermostat (b) (c)	XR8005153		.95
<i>(c) Included w/Thermostat Outlet Assy</i>			
20 Hose, Inlet (b)	XR8010208		20.25
<i>(b) Included w/Upper Radiator Hose Assy</i>			
21 Hose, Lower Radiator (d)	XR8026063	1.6	49.40
<i>(d) Order by Application</i>			
22 Hose, Heater Outlet	XR8049446	#2.2	51.70
23 Hose, Heater Inlet	XR8049447	#2.2	23.90
<i>#R&R Complete</i>			
Pump, Water	AJ8004817	m 2.5	233.00

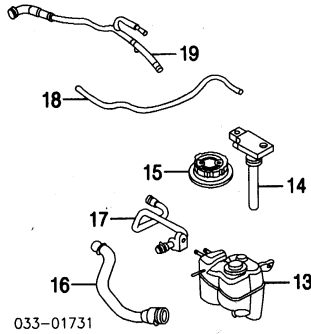
4.0L ENG

R&I Radiator		#3.8	
<i>#Includes R&R/R Electric Fan & Motor</i>			

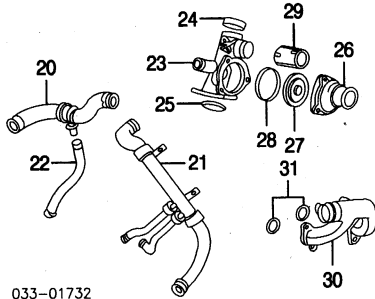


1 Radiator	XR8002935	#3.8	306.00
<i>#Includes R&R/R Electric Fan & Motor</i>			
2 Cushion, Upper Mtg	R/L MNC4243AD		4.90
3 Cushion, Lower Mtg	R/L XR8005023		2.55
4 Seal, Upper	XR8008492		14.55
5 Seal, Side Radiator	R XR8008493		22.10
	L XR8008494		21.35

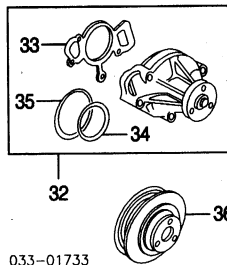
6 Shield, Lower	XR8002808		29.05
7 Plug, Radiator	XR8003138		1.90
8 Fan & Motor Assy, Electric	XR8002853	#2.6	397.00
<i>#Includes R&R Speed Control Switch & Air Duct</i>			
9 Shroud, Fan	XR8002853		397.00
10 Cover, Speed Control	XR8006420		16.35
11 Switch, Speed Control	XR8006419	.5	201.15
<i>#Included w/Electric Fan & Motor Assy</i>			
12 Duct, Air	XR8002824	.6	15.20



13 Reservoir, Coolant	XR8045310	.5	87.70
14 Sensor, Coolant	XR8023688		84.80
15 Cap, Reservoir	XR8050837		10.85
16 Hose, Reservoir	XR8008094		63.70
17 Hose, No. 1 Return	XR8008095		69.60
18 Hose, Bleed	XR8001662		22.60
19 Hose, No. 2 Return	XR8002887		41.95



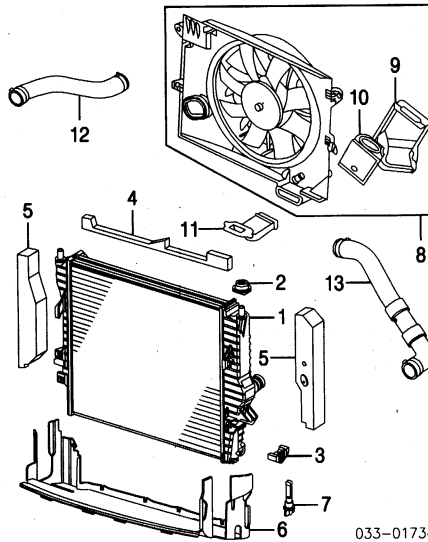
20 Hose, Upper Rad	XR8001725	1.2	83.35
21 Hose, Lower Rad			
To VIN L95099	XR8001664	1.6	77.00
From VIN L95100	XR8025340	1.6	65.85
22 Hose, By-Pass	XR8001705		94.80
23 Housing, Thermostat	NCE2247AD	2.1	52.30
24 Cap, Housing	NCA2270AC		4.70
25 Seal, Housing	NCA2269CA		.65
26 Cover, Thermostat	AJ8005875		23.00
27 Thermostat	AJ8006484	#2.1	48.05
<i>#Includes R&R Housing</i>			
28 Seal, Thermostat	NCA2246BA		3.65
29 Hose, Thermostat	NCA2213AC		3.40
30 Outlet, By-Pass	AJ8005884		61.60
31 O-Ring, Outlet (2)	C2C011477		3.80



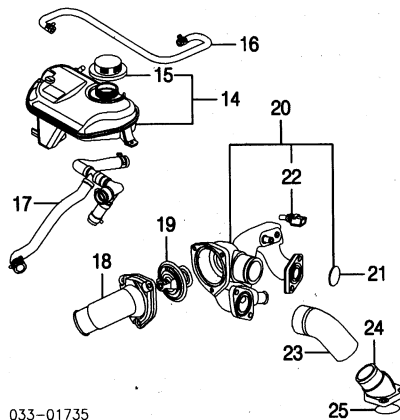
32 Pump Assy, Water	AJ8008912	m #2.3	76.75
<i>#Includes R&R Pulley</i>			
33 Gasket, Pump (a)	AJ8008922	m	11.00
34 O-Ring, Pump (a) (55mm)	KSR634001		1.40
35 O-Ring, Pump (a) (70mm)	AJ8001324		1.25
<i>(a) Included w/Water Pump Assy</i>			
36 Pulley, Pump	NCE2225AD	.7	34.85

4.2L ENG W/SUPERCHARGER

R&I Radiator		#3.8	
<i>#Includes R&I/R&R Electric Fan & Motor</i>			

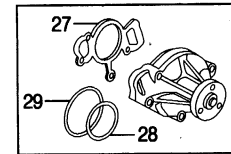


1 Radiator	XR8047964	#3.8	306.00
<i>#Includes R&I/R&R Electric Fan & Motor</i>			
2 Cushion, Upper Mtg	R/L C2C001963		11.40
3 Insulator, Lower	R/L C2C001960		3.10
4 Seal, Upper	XR8022420		13.70
5 Seal, Side Radiator			
To VIN M90728	R XR8025057		21.85
	L XR8043879		20.45
From VIN M90729	R XR8025057		21.85
	L XR8043879		20.45
6 Shield, Lower	03 XR8018924		40.60
	04-05 XR8052288		40.50
7 Plug, Radiator	C2C001467		2.10
8 Fan & Motor Assy, Electric	XR8052101	#2.6	392.00
<i>#Includes R&R Speed Control Switch & Air Duct</i>			
9 Cover, Speed Control	XR8006420		16.35
10 Switch, Speed Control	XR8006419	.5	201.15
<i>#Included w/Electric Fan & Motor Assy</i>			
11 Duct, Air	XR8002824	.6	15.20
12 Hose, Upper Radiator			
2003	XR8041798	1.2	54.45
2004			
To VIN N28447	XR8041798	1.2	54.45
From VIN N28448	XR8051818	1.2	49.30
2005	XR8051818	1.2	49.30
13 Hose, Lower Radiator	XR8041496	1.6	61.60

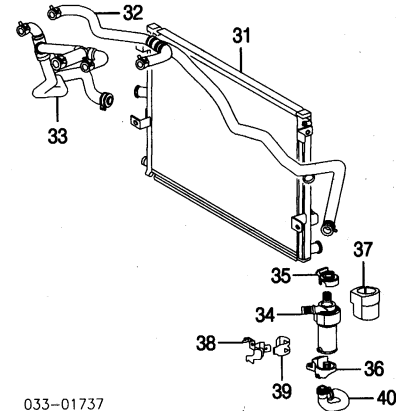


033-01735

14 Reservoir Assy, Coolant	XR8052097	.5	107.10
15 Cap, Reservoir (a)	XR8050837		10.85
<i>(a) Included w/Coolant Reservoir Assy</i>			
16 Hose, Bleed	C2C010871		55.75
17 Hose, Reservoir	XR8037415		39.45
18 Outlet, Thermostat	AJ8004255		57.10
19 Thermostat	AJ8006484	1.6	48.05
20 Housing Assy, Thermostat	N.A.	#2.1	195.10
<i>#Includes R&R Thermostat</i>			
21 Seal, Thermostat Housing (b)	C2C011477		3.80
22 Sensor, Temperature (b)	LNA1600AA		22.65
<i>(b) Included w/Thermostat Housing Assy</i>			
23 Hose, Coolant Pipe	AJ8008713	10.60	10.60
24 Pipe, Coolant	AJ8007639	31.80	31.80
25 Seal, Coolant Pipe	NCA2269CA		.65



26 Pump Assy, Water	AJ8008912	m #2.3	76.75
<i>#Includes R&R Pulley</i>			
27 Gasket, Pump (c)	AJ8008922	m	11.00
28 O-Ring, Pump (c) (55mm)	KSR634001		1.40
29 O-Ring, Pump (c) (70mm)	KSE169530		1.60
<i>(c) Included w/Water Pump Assy</i>			
30 Pulley, Pump	AJ8003874	.7	38.95



033-01737

31 Cooler, Supercharger	XR8039090	2.5	334.00
32 Hose, Inlet			
2003			
To VIN M79145	XR8032812	#1.3	35.05
From VIN M79146	XR8037410	#1.3	35.05
2004-05	XR8037410	#1.3	35.05
33 Hose, Outlet			
2003			
To VIN M79145	C2C010870	#1.0	64.80
From VIN M79146	XR8041497	#1.0	65.05
2004-05	XR8041497	#1.0	65.05
<i>#R&R Both 1.5</i>			
34 Pump, Supercharger Coolant	C2C001314	1.4	308.00
35 Isolator, Upper Mtg	C2C026675		0.00
36 Isolator, Lower Mtg	C2C026674		0.00
37 Insulator, Mtg	N.A.		0.00
38 Bracket, Pump	C2C011651		28.00
39 Clamp, Pump	C2C003550		19.10
40 Hose, Coolant Return			
2003			
To VIN M79145	C2C010869		55.75
From VIN M79146	XR8037411		64.80
2004-05	XR8037411		64.80

4.2L ENG W/O SUPERCHARGER

R&I Radiator		#3.8	
<i>#Includes R&I/R&R Electric Fan & Motor</i>			

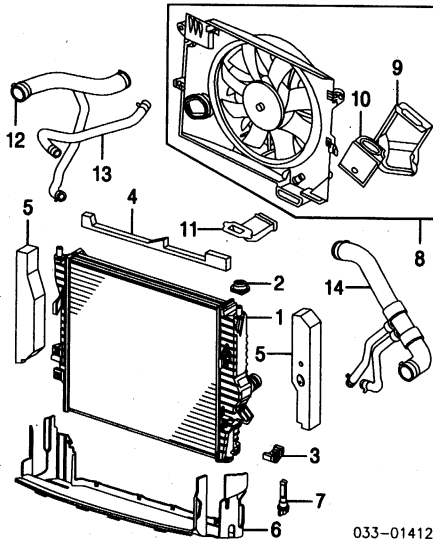
Illustration Located in Next Column

1 Radiator	XR8047964	#3.8	306.00
<i>#Includes R&I/R&R Electric Fan & Motor</i>			
2 Cushion, Upper Mtg	R/L C2C001963		11.40
3 Insulator, Lower	R/L C2C001960		3.10
4 Seal, Upper	XR8022420		13.70
5 Seal, Side Radiator			
To VIN M90728	R XR8022422		21.20
	L XR8043879		20.45
From VIN M90729	R XR8022422		21.20
	L XR8043879		20.45
6 Shield, Lower	03 XR8018923		30.30
	04-05 XR8052127		27.80
7 Plug, Radiator	C2C001467		2.10
8 Fan & Motor Assy, Electric	XR8052101	#2.6	392.00
<i>#Includes R&R Speed Control Switch & Air Duct</i>			
9 Cover, Speed Control	XR8006420		16.35
10 Switch, Speed Control	XR8006419	.5	201.15
<i>#Included w/Electric Fan & Motor Assy</i>			
11 Duct, Air	XR8002824	.6	15.20
12 Hose, Upper Radiator			
2003			
To VIN M45976	XR8018927	1.2	50.65

JAGUAR S-TYPE 2000-05

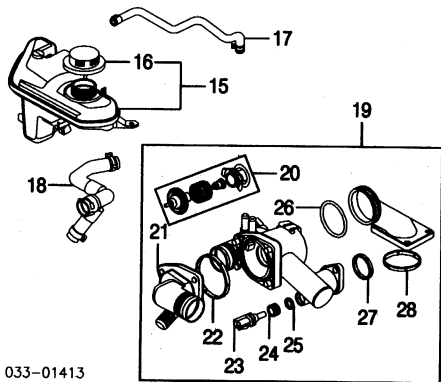
COOLING Cont'd

4.2L ENG W/O SUPERCHARGER Cont'd



033-01412

From VIN M45977 to VIN M96469	XR8049188	1.2	49.70
From VIN M96470	XR8049188	1.2	49.70
2004-05	XR8049188	1.2	49.70
13 Hose, By-Pass			
2003			
To VIN M45976	XR8018935		13.85
From VIN M45977	XR8049190		19.95
2004-05	XR8049190		19.95
14 Hose, Lower Radiator			
2003			
To VIN M45976	XR8018925	1.6	62.95
From VIN M45977	XR8049186	1.6	59.75
2004-05	XR8049186	1.6	59.75

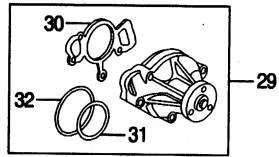


033-01413

15 Reservoir Assy, Coolant	XR8052096	.5	85.85
16 Cap, Reservoir (a)	XR8050837		10.85
<i>(a) Included w/Coolant Reservoir Assy</i>			
17 Hose, Bleed	XR8049184		19.95
18 Hose, Reservoir	XR8049192		19.95
19 Housing Assy, Thermostat	AJ8009485	#2.1	55.65
<i>#Includes R&R Thermostat</i>			
20 Thermostat (b)	AJ8002697	1.7	35.00
21 Outlet, Thermostat (b)	AJ8009483		24.15
22 Seal, Thermostat Outlet (b)	AJ8003525		4.30
23 Sensor, Temperature (b)	LNA1600AA		22.65
24 Insulator, Sensor (b)	AJ8005475		3.80
25 Washer, Sensor (b)	JWV110001		1.65
26 O-Ring, Pipe (b)	AJ8003526		4.55
27 Seal, Water Outlet (b)	C2C011477		3.80
28 Seal, Cylinder (b)	NCA2269CA		.65
<i>(b) Included w/Thermostat Housing Assy</i>			

Illustration Located in Next Column

29 Pump Assy, Water	AJ8008912	m #2.3	76.75
<i>#Includes R&R Pulley</i>			
30 Gasket, Pump (c)	AJ8008922	m	11.00
31 O-Ring, Pump (c) (55mm)	KSF634001		1.40
32 O-Ring, Pump (c) (70mm)	KSE169530		1.60
<i>(c) Included w/Water Pump Assy</i>			

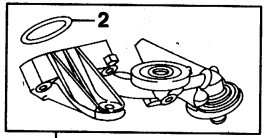
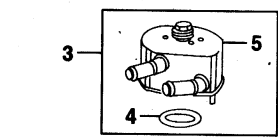


033-01414

33 Pulley, Pump	AJ8003874	.7	38.95
------------------------	-----------	----	-------

ENGINE OIL COOLER

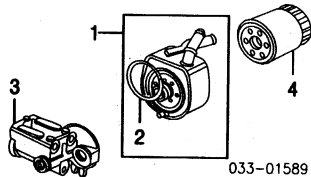
3.0L ENG



033-01065

1 Adapter Assy, Oil Cooler	2000-02		
To VIN M62935	XR8035640	m #2.7	151.60
From VIN M62936	AJ8005632	m #2.7	151.60
2003-05	AJ8005632	m #2.7	151.60
<i>#Includes R&R Oil Cooler Assy</i>			
2 O-Ring, Adapter	XR8024893		2.50
<i>#Included w/Oil Cooler Adapter Assy</i>			
3 Cooler Assy, Oil	00-02 XR8027038	m 2.3	187.70
	03-05 XR8042247	m 3.3	131.60
4 O-Ring, Oil Cooler (a)	00-02 JLM021003		16.25
	03-05 AJ8007272		11.40
5 Seal, Oil Cooler (a)	00-02 JLM021004	m	19.00
	03-05 AJ8007274	m	2.40
<i>(a) Included w/Oil Cooler Assy</i>			
6 Filter, Oil	XR8023395	.4	8.30

4.0L ENG



033-01589

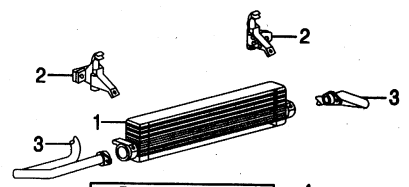
1 Cooler Assy, Oil	AJ8001760	m .7	131.10
2 O-Ring, Oil Cooler	JLM021003		16.25
<i>#Included w/Oil Cooler Assy</i>			
3 Adapter, Oil Cooler	AJ8004506	m #2.1	73.35
<i>#Includes R&R Oil Cooler</i>			
4 Filter, Oil	EAZ001354	.4	16.25

4.2L ENG W/SUPERCHARGER 2003

R&I Engine Oil Cooler.....	m	1.3
----------------------------	---	-----

Illustration Located in Next Column

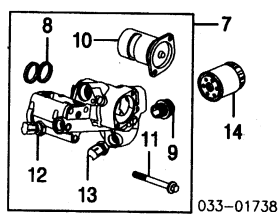
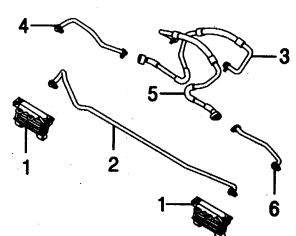
1 Cooler, Oil	C2C010447	m 1.3	359.00
2 Bracket, Cooler	R/L C2C011517-8		19.10
3 Hose, Cooler	R/L XR8043462-3	m #.8	92.40
<i>#R&R Both 1.2</i>			
4 Housing Assy, Oil Cooler	AJ8006293	m 1.7	227.25
5 Seal, Housing	NCE1842AA	m	2.55
6 Adapter, Oil Filter	AJ8003472	m	52.70



033-01590

7 Valve, Distribution	NCA1757AB	m	41.20
8 Bolt, Mounting	AJ8001209	m	3.80
9 Switch, Oil Pressure	AJ8004514	m	6.40
10 Sensor, Temp	XR8032403	m	9.55
<i>#Included w/Oil Cooler Housing Assy</i>			
11 Filter, Oil	C2N003587	m	17.30

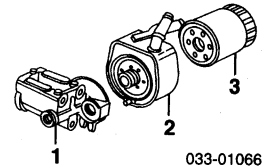
4.2L ENG W/SUPERCHARGER 2004-05



033-01738

1 Cooler, Oil	R/L XR8047903	2.0	d320.00
2 Hose, Cooler	XR8050359		105.40
3 To Cooler	XR8049090		39.80
4 To Engine	XR8047953		36.90
Hose, Connector			
5 To Cooler	XR8049088		46.65
6 To Engine	XR8049089		109.35
7 Housing Assy, Oil Cooler	AJ8006293	m 1.7	227.25
8 Seal, Housing	NCE1842AA	m	2.55
9 Adapter, Oil Filter	AJ8003472	m	52.70
10 Valve, Distribution	NCA1757AB	m	41.20
11 Bolt, Mounting	AJ8001209	m	3.80
12 Switch, Oil Pressure	AJ8004514	m	6.40
13 Sensor, Temp	XR8032403	m	9.55
<i>#Included w/Oil Cooler Housing Assy</i>			
14 Filter, Oil	C2N003587	m	17.30

4.2L ENG W/O SUPERCHARGER

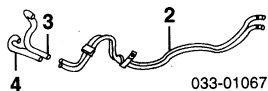
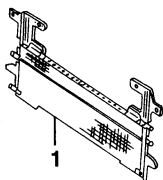


033-01066

1 Adapter, Oil Cooler	AJ8006283	m #2.1	d129.00
<i>#Includes R&R Oil Cooler</i>			
2 Cooler, Oil	AJ8006486	m .7	73.35
3 Filter, Oil	C2N003587	.4	17.30

TRANS OIL COOLER

R&I Trans Cooler.....	m	1.1
-----------------------	---	-----



1 Cooler, Trans/Steering				
Man Trans	XR8003771	m	#.7	201.45
Auto Trans	XR8003772	m	#1.1	182.85

2 Pipe, Cooler				
3.0L Eng	XR8009380	m	#1.7	60.60
4.0L Eng	XR8014268	m	#1.0	64.00
4.2L Eng	XR8041213	m	#1.0	142.50

A/C REFRIGERANT CAPACITIES

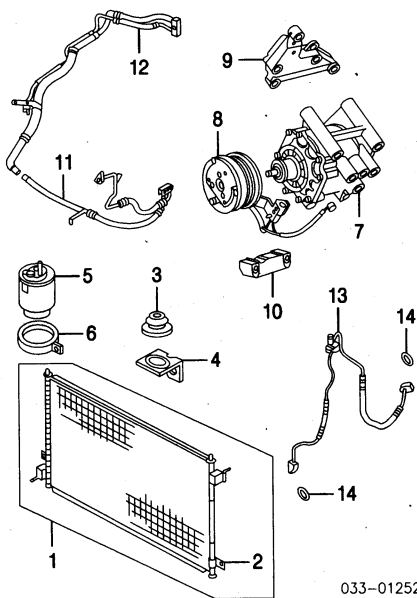
A/C R-134a Refrigerant Capacity
2000-05: 26.0-30.0 Ozs (1.6-1.9 Lbs)

A/C /HEATER/VENTILATION

Use Procedure Explanation 6 with the following text.

R&I Condenser Assy	m	#1.7
<i>#Includes R&R Receiver/Drier</i>		
Evacuate & Recharge System	m	1.4
Recover Refrigerant	m	.3

NOTE: R&R Does Not include recover, evacuate and recharge system.



1 Condenser Assy				
00-02	XR8007068	m	#1.7	565.00
03-05	XR8028837	m	#1.7	565.00

#Includes R&R Receiver/Drier

2 Bracket, Condenser				
R	XR8007059			5.30
L	XR8003801			2.65

†Included w/Condenser Assy

3 Grommet, Mounting	R/L	XR8003819		11.40
4 Bracket, Grommet	R/L	XR8003802		5.30
5 Receiver/Drier		XR8008040	m	.6
6 Bracket, Receiver/Drier		XR8003818		3.55

7 Compressor				
3.0L Eng	C2S034397	m	#.7	441.00
4.0L Eng	XR8050847	m	#.9	620.00
4.2L Eng	AJ8009497	m	#.9	620.00

8 Clutch, Magnetic				
3.0L Eng	C2S011800	m	#.7	530.00
4.0L Eng	XR8018884	m	#.9	530.00
4.2L Eng	N.A.	m	#.9	0.00

#R&R Complete

Bracket, Mounting				
9 6 Cyl	XR8005303		#.2	44.05
10 8 Cyl				

4.0L Eng	NRA5000AA	#.2	26.45
4.2L Eng	N.A.	#.2	0.00

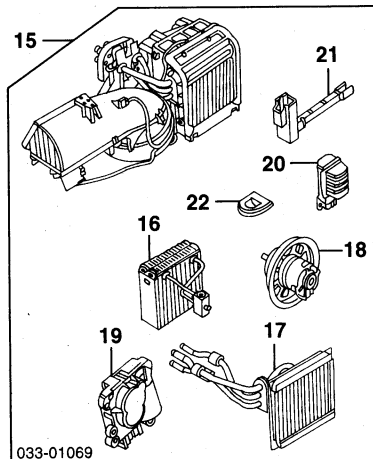
#w/Compressor Removed

11 Pipe, Front Compressor				
3.0L Eng				
To VIN M45254	XR8014088	m	.7	220.50
From VIN M45255	XR8003219	m	.7	0.00
4.0L Eng	XR8014089	m	.7	220.50
4.2L Eng	XR8033220	m	.7	141.00
	XR8022786	m	.9	264.50

12 Pipe, Rear Compressor				
00-02	XR8011254	m	.7	88.25
03-05	XR8042545	m	.7	88.25

13 Tube, A/C				

14 O-Ring				
Front Tube	XR8010305	m		1.05
Rear Tube	XR8010306	m		1.25



15 Evaporator Assy				
2000-03				
To VIN M45254	XR8051468	m	#1.2	885.00
From VIN M45255	XR8042472	m	#1.2	885.00
2004	XR8034765	m	#1.2	885.00
2005	XR8052015	m	#1.2	1020.00
	XR8002896	m	#1.5	353.00
	XR8003002	m	#1.7	270.00

16 Core, Evaporator (a)				

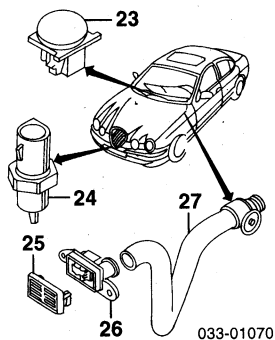
17 Core, Heater (a)				

#w/Instrument Panel Removed

18 Motor, Blower (a)	JLM021550	m	.7	d317.00
19 Motor, Recirculating (a)				
By-Pass				
To VIN M22019	XR8015511	m		79.25
From VIN M22020	XR8026343	m		79.25
Fresh/Recirculating				
To VIN L62537	XR8026342	m		79.25
From VIN L62538	XR8026342	m		79.25

20 Module, Blower Motor (a)	XR8029188	m	.5	57.15
21 Sensor, Evaporator (a)	XR8003729	m		14.10
22 Panel, Closing (a)	XR8001519	m		8.85

(a) Included w/Evaporator Assy



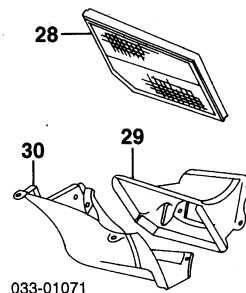
23 Sensor, Solar				
00-02	XR8001511	m	.8	26.45
03-05	XR8036394	m	.8	26.45
	XR8054838	m	.3	6.55
	XR8001063AEK	m		2.65

(b) Stable listed, Order by Application

26 Sensor, Air Temperature	XR8002403	m	.3	20.60
27 Sensor, In-Car	XR8002140	m	.3	21.15
	XR8020489	m	.3	21.15

Illustration Located in Next Column

28 Filter, Air				
00-02	XR8038396	m	.5	22.10
03-05	XR8049205	m	.5	17.05
29 Duct, Inner				
00-02	XR8002525	m		35.20
03-05	XR8019377	m		44.05
30 Duct, Outer				
	XR8043233	m		44.05



FRONT FENDER

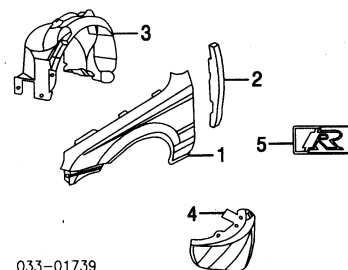
Use Procedure Explanations 7 and 28 with the following text.

SHEET METAL/EXTERIOR TRIM

Refinish Fender Outside	R/L	2.1
Add to Edge Fender	R/L	.5
R&I Fender Assy	R/L	#3.2

#Includes R&I Bumper Assy & R&I/R&R Combination Lamp Assy & Rocker Moulding

R&R Front Mudguard	R/L	.2
R&I Front Mudguard	R/L	.2



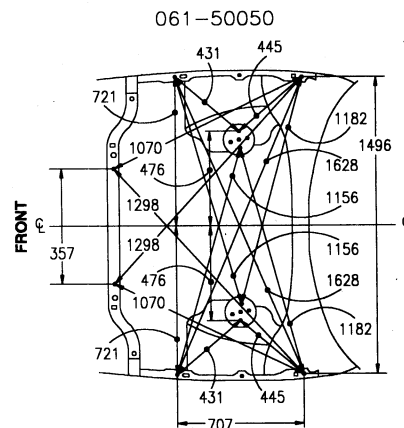
1 Fender	R/L	XR8026896-7	#3.5	343.00
-----------------	-----	-------------	------	--------

#Includes R&I Bumper Assy & R&I/R&R Combination Lamp Assy & Rocker Moulding

2 Filler, Fender	R/L	XR8049159		d10.60
3 Liner, Fender				
00-03 R/L	XR8026373-4		.5	99.60
04-05 R/L	XR8037522-3		.5	27.40
4 Mudguard Kit, Front				
00-03	XR8028879			39.30
04-05	XR8053820			33.30
5 Nameplate (Adhesive)				
"R"	R/L	XR8030872	.2	32.65

UNDERHOOD DIMENSIONS

2000-02



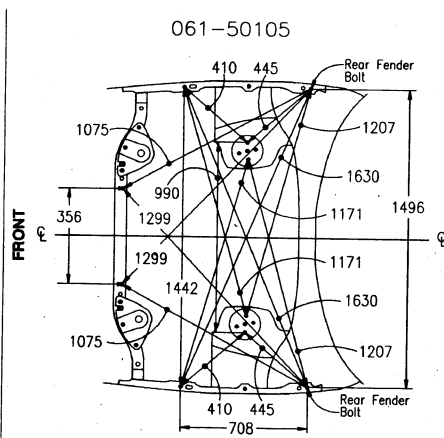
2003-04

Illustration Located in Next Column

JAGUAR S-TYPE 2000-05

UNDERHOOD DIMENSIONS Cont'd

2003-04 Cont'd



2005

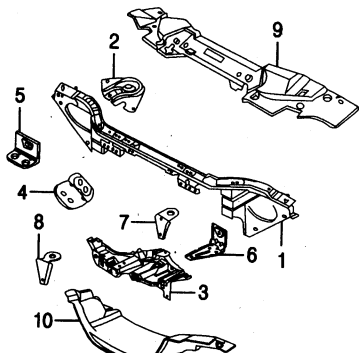
Information not available at time of publication.

FRONT INNER STRUCTURE

Use Procedure Explanations 8 and 28 with the following text.

FRONT

Refinish Radiator Support Complete.....	1.5
Refinish Front Support	1.0
Refinish Headlamp Mounting Panel	
1 Piece	1.0
2 Piece	R/L .5
R&R Radiator Support Complete.....	#12.6
<i>#Includes R&I Bumper Assy, Air Cleaner Assy, R&I/R&R Combination Lamps, R&R Radiator, Electric Fan & Motor, Washer Reservoir, Air Cleaner Intake Tube, Front Support, Front Support Brkt, Headlamp Mounting Panel, Headlamp Mounting Brackets, Hood Latches, Release Cable Bracket & Disconnect & Connect Hood Release Cable, Wiring &/or Harness</i>	
Add to R&R Radiator Support Complete	
To R&I/R&R Base Model Mechanical Components.....	m #1.0
<i>#Includes R&I/R&R A/C Condenser & Receiver/Drier & Trans/Steering Cooler</i>	
w/4.0L, 4.2L Eng6
w/Supercharger	m #8
<i>#Includes R&I/R&R Supercharger Cooler, Hoses & Coolant Pump</i>	



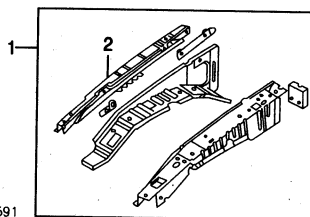
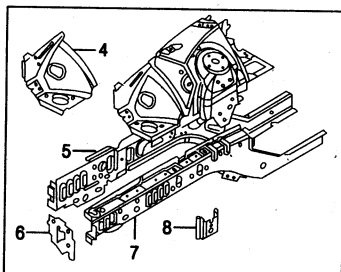
033-01807

1 Support, Front	00-03 XR8044754	s 4.0	280.00
	04-05 XR8053088	s 4.0	274.00
2 Bracket, Front Support	R/L XR8030278-9		15.35
3 Panel, Headlamp Mounting			
1 Piece	XR8032853	#1.8	104.45
2 Piece	R/L XR8045888-9	#.9	30.45
<i>#w/Bumper Assy Removed</i>			
Bracket, H/Lamp Mounting			
4 Center	R/L XR8005988		14.55
5 Outer			
To VIN N13088	R/L XR8005987	.5	3.15
6 From VIN N13089	R/L XR8043164-3	.5	24.90
7 Inner			
To VIN N13088	R/L XR8003501		25.25
8 From VIN N13089	R/L XR8043124		23.35
9 Shield, Upper			
2000-02	XR8002855	.3	84.75

2003-05			
3.0L Eng	XR8047240	.3	87.20
4.2L Eng			
w/Supercharger	XR8051644	.3	72.00
w/o Supercharger	XR8047240	.3	87.20
10 Shield, Cover	XR8034381	.2	32.70
Decal	XR8018889	.2	33.60

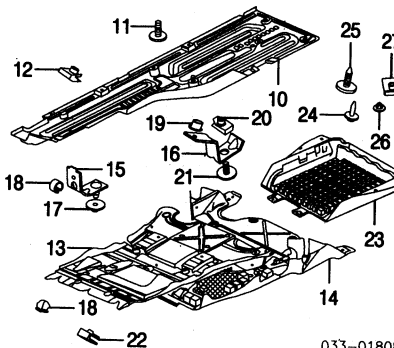
SIDE

Refinish Upper Rail	R/L	1.0
Refinish Lower Rail Assy	R/L	1.0
Refinish Front Rail Panel	R/L	.5



033-01591

1 Rail Assy, Upper	R/L XR8028696-7	s #7.5	650.00
<i>#w/Lower Rail Assy Removed Deduct 4.0</i>			
2 Panel, Upper Rail	R XR8025896	s 3.0	47.40
	L XR8025898	s 3.0	47.40
<i>#Included w/Upper Rail Assy</i>			
3 Rail Assy, Lower			
2000-02	R XR8026068	s 8.5	1700.00
	L XR8026070	s 8.5	1700.00
2003			
To VIN M97562	R XR8045512	s 8.5	1650.00
	L XR8029281	s 8.5	1575.00
From VIN M97563 to VIN N01038	R XR8045512	s 8.5	1650.00
	L XR8029281	s 8.5	1575.00
From VIN N01039	R XR8049555	s 8.5	1525.00
	L XR8029281	s 8.5	1575.00
2004-05	R/L XR8049555-6	s 8.5	1525.00
4 Panel, Front Rail (a)	R XR8026842	s 2.5	73.90
	L XR8027869	s 2.5	71.25
5 Sidemember, Outer (a)	R XR8015715	s	257.00
	L XR8045457	s	265.00
6 Bracket, Bumper Reinf (a) 00-02	R XR8007519		44.55
	L XR8006067		45.75
03-05	R XR8007519		44.55
	L XR8027745		45.60
7 Sidemember, Inner (a) 00-02	R XR8027318	s	299.00
	L XR8017339	s	248.90
03-05	R/L XR8027318-9	s	299.00
8 Reinf, Sidemember (a) 00-02	R/L XR8006234		37.25
03-05	R/L XR8029288		35.50
<i>(a) Included w/Lower Rail Assy</i>			
9 Seal, Fender	R XR8006057	04.15	
	L XR8006058	04.45	



033-01808

10 Cover, Outer Under			
Right			
w/Supercharger			
To VIN M90338	XR8036383	.3	107.45

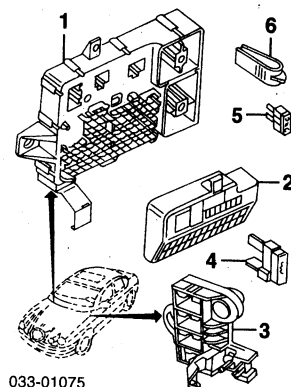
From VIN M90339 to VIN N29815	XR8048861	.3	97.45
From VIN N29816	XR8051935	.3	97.20
w/o Supercharger	XR8051932	.3	97.20

Left			
w/Supercharger			
To VIN M90338	XR8036384	.3	107.45
From VIN M90339 to VIN N21879	XR8044418	.3	107.20
From VIN N21880	XR8048863	.3	107.20
w/o Supercharger	XR8048862	.3	107.20
11 Bolt, Mounting (b)	R/L XR8002175		1.30
12 Nut, Spring (b)	R/L XR8002178		3.80
<i>(b) As Required</i>			

Cover, Center Under

13 Upper			
w/Supercharger	XR8019084	.3	87.90
w/o Supercharger	XR8044760	.3	117.30
14 Lower	XR8053723		101.15
15 Bracket, Front	R/L XR8016810		10.05
16 Bracket, Rear	R/L XR8022281		10.05
17 Nut, Bracket (3/Side)	R/L XR8029688		1.50
18 Nut, Spring (2/Side)	R/L C2S020367		.90
19 Nut, Mounting	R/L XR8002312		3.80
20 Nut, Spring	R/L XR8002178		3.80
21 Bolt, Mounting (2/Side)	R/L C2S004818		.80
22 Nut, Speed (9)	XR8007652		2.45
23 Cover, Rear	XR8052133	.3	127.40
24 Rivet, Shield (2)	C2S009354		.55
25 Screw, Attaching (3/Side)	R/L XR8041730		1.35
26 Nut, Plastic (3/Side)	R/L XR8046656		.65
27 Nut, Rear (3/Side)	R/L XR8041729		1.60

ELECTRICAL COMPONENTS



033-01075

1 Box, Fuse			
To VIN L86901	XR8008432	m	136.40
From VIN L86902	XR8025831	m	134.85
2 Cover, Fuse Box	XR8022133	.1	16.35
3 Box, Junction	XR8006669	m	90.00
4 Diode, Fuel Pump	JLMO20912	m	2.05
5 Fuse	JLMO20895		3.80
<i>#10 Amp listed, Order by Application</i>			
6 Puller, Fuse	JLMO20898		1.00

AIR BAG SYSTEM

Use Procedure Explanation 30 with the following text.

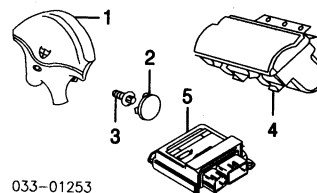
NOTE 1: R&R Does Not include disable and enable or diagnose Air Bag System.

NOTE 2: Refer to Procedural Explanation 30 for Supplemental Restraint/Air Bag System Component Inspection and Replacement Information.

NOTE 3: For Air Bag System Service procedures, refer to Manufacturer's Service Repair Manual or Mitchell's Air Bag Service and Repair Manual.

FRONT

Disable & Enable Air Bag System	m .3
Diagnose Air Bag System (if Required)	m #1.7
<i>#Includes R&I/R&R Driver Air Bag Module, Glove Box & Disconnect & Connect Scan Tool & Retrieve/Clear Trouble Codes</i>	

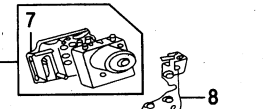
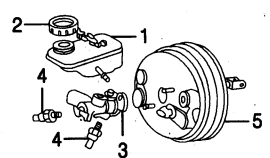


033-01253

1 Module, Driver Air Bag			
Charcoal			
2000-02			
To VIN M03736	XR8007485LEG	m .3	348.00
From VIN M03737	XR8025748LEG	m .3	665.00

JAGUAR S-TYPE 2000-05

2003	C2C025680LEG	m	.3	870.00
2004-05	XR8052813LEG	m	.3	840.00
Granite				
2000-02				
To VIN M03736	XR8007485LGP	m	.3	348.00
From VIN M03737	XR8025748LGP	m	.3	665.00
2003	C2C025680LGP	m	.3	870.00
2004-05	XR8052813LGP	m	.3	840.00
Mink				
To VIN M03736	XR8007485AGN	m	.3	348.00
From VIN M03737	XR8025748AGN	m	.3	665.00
Mocha				
Sable				
2000-02				
To VIN M03736	XR8025748AEK	m	.3	665.00
From VIN M03737	XR8025748AEK	m	.3	665.00
2003	C2C021018AEK	m	.3	895.00

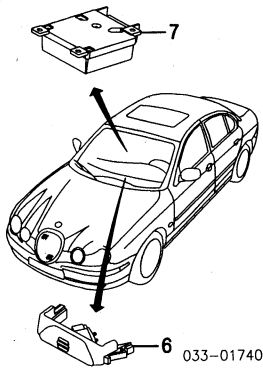


2	Cover, Screw (2)			
	Charcoal	XR8001385LEG		.90
	Granite	XR8001385LGP		.65
	Mink	XR8001385AGN		.90
	Mocha	XR8001385AMB		0.00
	Sable	XR8001385AEK		3.80
3	Screw, Air Bag	XR8001495		2.75
4	Module, Pass Air Bag	00-02 XR8031141	m	#1.0 595.00
		03-05 C2C001674	m	#1.0 810.00

#w/Instrument Panel Removed

5	Module, Restraint Control			
	2000-02			
	To VIN L52822	XR8024643	m	#.4 77.25
	From VIN L52823	XR8023071	m	#.4 242.25
	2003-05	XR8045339	m	#.4 680.00

#w/Instrument Panel & Center Console Removed

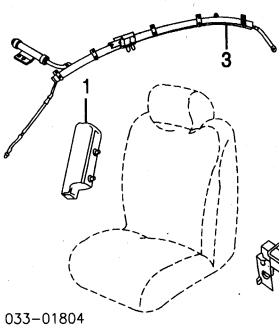


Sensor, Occupant Detector				
	2003-05			
6	Center	XR8037242		127.35
7	Front	XR8041177		288.00

SIDE

Disable & Enable Air Bag System	m	.3		
Diagnose Air Bag System (If Required)	m	#1.7		

#Includes R&R Driver Air Bag Module, Glove Box & Disconnect & Connect Scan Tool & Retrieve/Clear Trouble Codes



1	Module, Side Air Bag	00-02 R/L XR8011791	m	#.6 176.85
		03-05 R/L C2C007690	m	#.6 995.00
#w/Front Seat Back Cover Removed				
2	Sensor, Side Impact			
	2000-02			
	To VIN L52822	R/L XR8014318	m	#.5 109.65
	From VIN L52823	R/L XR8021983	m	#.5 63.95
	2003-05	R/L XR8016859	m	#.5 d189.15
#w/Front Seat Assy Removed				
3	Module, Side Curtain Air Bag			
	To VIN M90038	R/L XR8025279-80	m	#.8 1500.00
	From VIN M90039	R/L XR8043238-9	m	#.8 1010.00

ABS/BRAKES

Bleed System	m	.6		
--------------	---	----	--	--

NOTE: R&R Does Not include bleed brake system.

1	Reservoir, Brake Fluid	00-02 XR8010533	m	.8 140.20
		03-05 XR8034952	m	.8 390.00
2	Cap, Reservoir	00-02 XR8016491		10.80
		03-05 XR8024768		20.35

3	Cylinder, Brake Master			
	2000-02			
	w/DSTC	XR8026246	m	#1.0 309.00
	w/o DSTC	XR8010526	m	#1.0 123.05
	2003-05	XR8028105	m	#1.0 500.00

#Includes R&R Reservoir & Brake Transducer

4	Transducer, Brake (2)	00-02 XR8010532	m	.6 105.40
		03-05 XR8028106	m	.6 160.80

5	Booster, Brake			
	2000-02			
	w/DSTC	XR8015111	m	#1.6 454.00
	w/o DSTC	XR8015109	m	#1.6 388.00
	2003-05			
	3.0L Eng	XR8043545	m	#1.6 660.00
	4.2L Eng			
	w/Supercharger	XR8043547	m	#1.6 675.00
	w/o Supercharger	XR8043545	m	#1.6 660.00

6	Module Assy, ABS			
	2000-02			
	w/DSTC	XR8016399	m	1.5 855.00
	w/o DSTC	XR8016397	m	1.5 1300.00
	2003	C2C015612	m	1.5 1625.00
	2004-05			
	To VIN N30581	XR8052145	m	1.5 1330.00
	From VIN N30582	XR8052145	m	1.5 1330.00

7	Control Unit, ABS			
	w/DSTC	XR8023578D	m	1.7 0.00
	w/o DSTC	XR8028021	m	1.7 d1210.00

#Included w/ABS Module Assy

8	Bracket, Control Module	00-02 XR8016400	#.2	29.85
		03 XR8024775	#.2	40.15
		04-05 XR8048007	#.2	39.05

#w/ABS Module Assy Removed

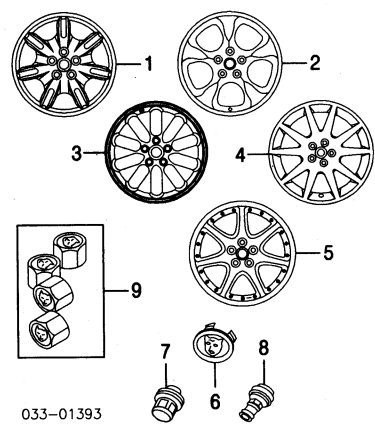
9	Sensor, Front ABS	R/L C2S043001	m	.5 199.95
10	O-Ring, Sensor	R/L XR8005018	m	.5 5.45
11	Sensor, Rear ABS	R XR8049760	m	.5 210.20
		L XR8053277	m	.5 210.20

WHEEL

Use Procedure Explanation 10 with the following text.

ALLOY WHEEL 2000-02

Add to R&I Spare Wheel & Tire Assy				.2
------------------------------------	--	--	--	----

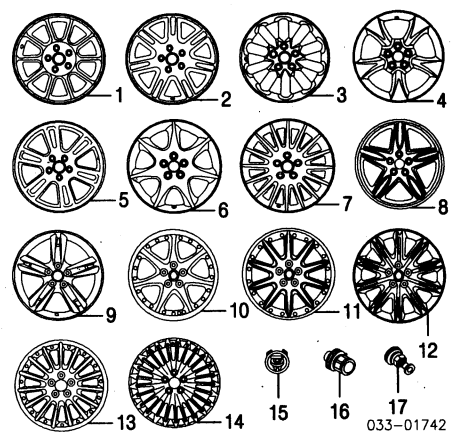


1	Wheel, Alloy			
	16x7			
	To VIN L73193	XR8002015		.3 369.00

From VIN L73194	XR8030249		.3	433.00
16x7-1/2"				
2	Type 1	XR8013197		.3 493.00
3	Type 2	XR8043323		.3 419.00
4	17x7-1/2"	XR8043333		.3 483.00
5	18x8			
	Oyster			
	New	XR8026637		.3 825.00
	Remanufactured	XR8026637E		.3 d840.00
	Silver			
	New	XR8026421		.3 825.00
	Remanufactured	XR8026421E		.3 0.00
6	Cap, Center	XR8007794		16.30
7	Nut, Lug	C2S013886		13.60
8	Stem, Valve	XR8006367		7.60
9	Cap, Lug Nut	C2S013854		d21.20

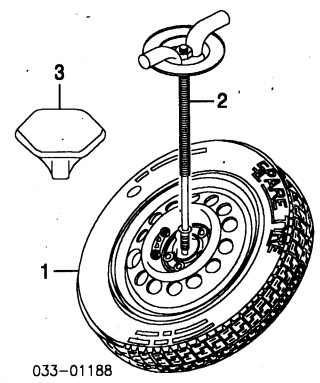
ALLOY WHEEL 2003-05

Add to R&I Spare Wheel & Tire Assy				.2
------------------------------------	--	--	--	----



Wheel, Alloy				
16" Wheels				
1	16x6-1/2"	XR8017325		.3 395.00
16x7-1/2"				
2	7 Spoke	XR8043322		.3 419.00
3	10 Spoke	XR8043323		.3 419.00
17" Wheels				
4	5 Spoke	XR8043330		.3 483.00
5	6 Spoke	XR8017328		.3 392.00
6	7 Spoke	XR8031511		.3 438.00
7	16 Spoke	XR8031512		.3 438.00
18" Wheels				
w/Supercharger				
8	Type 1			
	Front	XR8043331		.3 870.00
	Rear	XR8043332		.3 905.00
9	Type 2			
	Front	XR8031514		.3 510.00
	Rear	XR8031515		.3 590.00
w/o Supercharger				
10	7 Spoke	XR8026421		.3 825.00
	10 Spoke			
11	Type 1	XR8052045		.3 825.00
12	Type 2	XR8031513		.3 510.00
13	15 Spoke	XR8028714		.3 825.00
14	25 Spoke	XR8042129		.3 880.00
15	Cap, Center	C2C026061		18.70
16	Nut, Lug	C2S013886		13.60
17	Stem, Valve	XR8006367		7.60

SPARE WHEEL & HARDWARE



1	Wheel, Spare			
	16" Wheels	00-03 XR8051835		183.00
		04-05 XR8051835		183.00
	17" Wheels	N.A.		0.00
	18" Wheels	00-03 XR8028074		306.00

JAGUAR S-TYPE 2000-05

WHEEL Cont'd

SPARE WHEEL & HARDWARE Cont'd

2 Bolt, Mounting To VIN L86901 From VIN L86902	XR8015070 XR8023233	21.20 10.35
3 Retainer, Cap	XR8009894	8.15

FRONT SUSPENSION

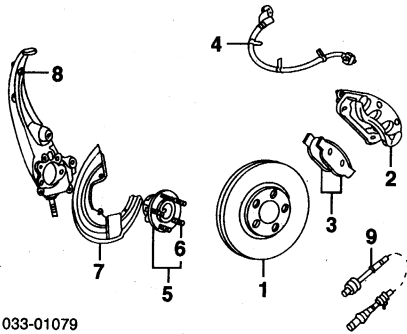
Use Procedure Explanation 11 with the following text.

2000-02

R&L Suspension/Sub-Frame Assy	m	4.0
O/H Suspension		
One Side	R/Lm	3.8
Both Sides	m	7.0
R&R Brake Rotor	R/Lm	.6
Adjust Four Wheel Alignment	m	1.6
Adjust Front Alignment	m	1.2
Bleed Brake System	m	.6

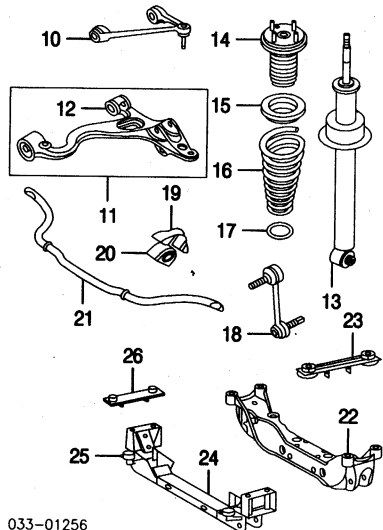
NOTE 1: R&L/R&R or O/H Does Not include alignment or bleed brake system.

NOTE 2: All Parts in this section are included in overhaul unless noted otherwise.



033-01079

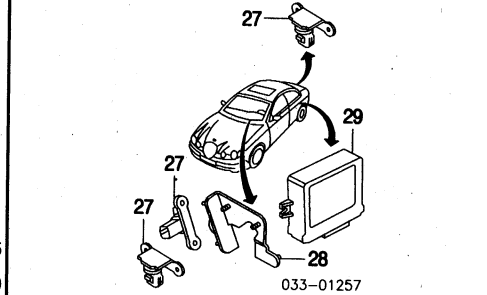
1 Rotor Set, Brake	JLM020801	m	#	166.25
#See Headnote for One Side Labor				
2 Caliper, Brake	R/L JLM020927-8	m	#.5	456.00
#Deduct .3 w/Rotor Removed, R&R Both Sides .8				
3 Pad Set, Brake	XR8013324	m	#1.0	106.60
#Deduct .5 for Each Caliper Removed				
4 Hose, Brake	R C2C003557 L C2C003560	m	#.3	33.70
#Deduct .2 w/Caliper Removed				
5 Hub Assy, Wheel	R/L C2C019585	m	#1.3	199.85
#Includes R&R Rotor & Splash Shield				
6 Stud, Wheel (5/Side)	R/L XR8025192	m		4.90
#Included w/Wheel Hub Assy				
7 Shield, Splash	R XR8013379 L XR8002138	m	#.2	7.65
#w/Rotor Removed				
8 Knuckle, Steering	R/L XR8052807-8	m	#1.8	291.00
#Includes R&R Hub, Rotor & Splash Shield, R&R Both Sides 3.4				
9 Sensor, Front ABS-See ABS/Brakes Section				



033-01256

10 Arm, Upper Control	R XR8052090	m	#1.8	535.00
-----------------------	-------------	---	------	--------

L XR8052091	m	#1.8	525.00	
#R&R Both Sides 3.4, w/Knuckle Removed Deduct .5				
11 Arm Assy, Lower Control	R/L XR8051824-5	m	#1.3	1160.00
#R&R Both Sides 2.4, w/Knuckle Removed Deduct .6				
12 Bushing, Lower Control Arm (a)	R/L JLM021535	m		38.05
(a) Included w/Lower Control Arm Assy				
13 Absorber, Shock				
w/Adaptive Damping Cont Susp	R/L XR8012982	m	#1.2	315.00
w/o Adaptive Damping Cont Susp	R/L XR8011178	m	#1.2	139.75
14 Plate, Spring Mtg	R/L XR8045904	m	#1.2	59.15
15 Isolator, Spring	R/L XR8012984	m	#1.2	16.05
16 Spring, Front				
3.0L Eng				
w/Adaptive Damping Cont Susp	R/L XR8011164	m	#1.2	70.15
w/o Adaptive Damping Cont Susp	R/L XR8035296	m	#1.2	73.80
4.0L Eng				
w/Adaptive Damping Cont Susp	R/L XR8011166	m	#1.2	70.15
w/o Adaptive Damping Cont Susp	R/L XR8035298	m	#1.2	73.80
17 Spacer, Spring	R/L MJA2162AA	m	#1.2	2.30
#R&R One Side Complete, w/Lower Control Arm Removed				
Deduct .7				
18 Link, Outer Bar	R/L XR8055185	m	#.5	103.55
#Not Included in O/H				
19 Bracket, Bushing	R/L XR8001834	m	#	9.65
20 Bushing, Stabilizer Bar	R/L XR8019697	m	#	83.40
#Not Included in O/H				
21 Bar, Stabilizer	XR8002657	m	#1.9	69.05
#Includes R&R Stabilizer Bar Outer Links, Brackets & Bushings, Included in R&R Front No. 2 Crossmember, Not Included in O/H				
22 Crossmember, No. 1 Front	XR8019167	m	#4.7	304.00
23 Retainer, No. 1 Front Xmbr	R/L XR8013346	m	#4.7	17.95
24 Crossmember, No. 2 Front	XR8031984	m	#4.7	352.00
25 Bushing, No. 2 Crossmember	R/L XR8005023	m	#4.7	2.55
26 Retainer, No. 1 Front Xmbr	R/L XR8012840	m	#4.7	5.70
#R&R Complete, Includes R&R Lower Control Arms, Stabilizer Bar & Suspend Steering Gear & Engine Assemblies, Not Included in O/H				



033-01257

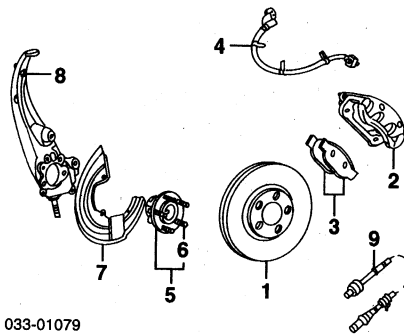
27 Accelerometer (3)	XR8008856	m	#.4	100.35
28 Bracket, Accelerometer	XR8006400	m	#	37.25
29 Module, Adaptive Damping	XR80137802	m	#.4	455.00
#Not Included in O/H				

2003-05

R&L Suspension/Sub-Frame Assy	m	4.0
O/H Suspension		
One Side	R/Lm	3.8
Both Sides	m	7.0
R&R Brake Rotor	R/Lm	.6
Adjust Four Wheel Alignment	m	1.6
Adjust Front Alignment	m	1.2
Bleed Brake System	m	.6

NOTE 1: R&L/R&R or O/H Does Not include alignment or bleed brake system.

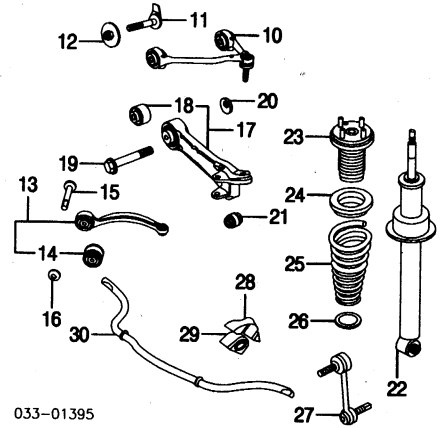
NOTE 2: All Parts in this section are included in overhaul unless noted otherwise.



033-01079

1 Rotor Set, Brake	JLM020801	m	#	166.25
3.0L Eng	C2C008354	m	#	211.50
300mm				
320mm				
4.2L Eng	C2C008355	m	#	623.00
#See Headnote for One Side Labor				
2 Caliper, Brake				

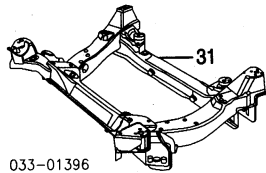
w/Supercharger	R C2C011657	m	#.5	680.00
	L C2C011646	m	#.5	680.00
w/o Supercharger	R/L C2C012070-1	m	#.5	395.00
#Deduct .3 w/Rotor Removed, R&R Both Sides .8				
3 Pad Set, Brake				
w/Supercharger	C2C024018	m	#1.0	180.00
w/o Supercharger	C2C023786	m	#1.0	125.00
#Deduct .5 for Each Caliper Removed				
4 Hose, Brake				
w/Supercharger	R XR8028044	m	#.3	31.65
To VIN M71072	L XR8028047	m	#.3	28.00
	R XR8039091	m	#.3	32.60
	L XR8039094	m	#.3	28.40
w/o Supercharger	R XR8053862	m	#.3	31.70
	L XR8038513	m	#.3	36.35
#w/Caliper Removed Deduct .2				
5 Hub Assy, Wheel				
2003				
w/Supercharger	R/L C2C019586	m	#1.3	299.00
To VIN M62935	R/L C2C019586	m	#1.3	299.00
From VIN M62936	R/L C2C019585	m	#1.3	199.85
w/o Supercharger	R/L XR8048149	m	#1.3	294.00
2004-05				
#Includes R&R Rotor & Splash Shield				
6 Stud, Wheel (5/Side)	R/L XR8025192	m		4.90
#Included w/Wheel Hub Assy				
7 Shield, Splash				
w/Supercharger	R/L C2C019122-3	m	#.2	34.40
w/o Supercharger	R/L C2C001107-8	m	#.2	21.60
#w/Rotor Removed				
8 Knuckle, Steering				
w/Supercharger	R C2C021656	m	#1.8	234.30
	L C2C021658	m	#1.8	234.30
w/o Supercharger	R/L C2C025788-9	m	#1.8	234.30
#Includes R&R Hub, Rotor & Splash Shield, R&R Both Sides 3.4				
9 Sensor, Front ABS-See ABS/Brakes Section				



033-01395

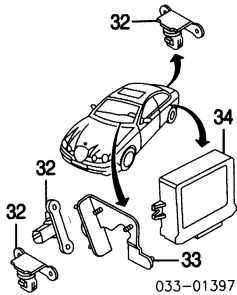
10 Arm, Upper Control				
To VIN M92568	R/L XR8022284-5	m	#1.8	1120.00
From VIN M92569	R XR8042382	m	#1.8	940.00
	L XR8042383	m	#1.8	975.00
#R&R Both Sides 3.4, w/Knuckle Removed Deduct .5				
11 Bolt, Cam (2/Side)				
Upper	R/L XR8026153	m		6.00
12 Nut, Upper Control Arm (2/Side)	R/L XR8012428	m		4.90
13 Arm Assy, Rear Lower Control	R/L C2C026835	m	#.6	483.00
#R&R Both Sides 1.0				
14 Bushing, Lower Control Arm (a)				
Rear				
To VIN M81430	R/L C2C026267	m	#.3	38.30
From VIN M81431	R/L C2C026267	m	#.3	38.30
(a) Included w/Rear Lower Control Arm Assy				
#w/Control Arm Removed				
15 Bolt, Cam				
Lower Front	R/L C2C023852	m		20.10
16 Washer, Cam				
Lower Front	R/L C2C023854	m		2.25
17 Arm Assy, Front Lower Control	R C2C018325 L C2C018351	m	#1.3	468.00
#Includes R&R Rear				
18 Bushing, Lower Control Arm (b)				
Inner Front	R/L C2C004437	m	#.3	33.70
(b) Included w/Front Lower Control Arm Assy				
#w/Control Arm Removed				
19 Bolt, Cam				
Lower Rear	R/L C2C023853	m		19.30
20 Washer, Cam	R/L C2C023854	m		2.25
21 Bushing, Lower Control Arm	R/L C2C004438	m		33.70
Outer Rear				
22 Absorber, Shock (c)				
w/Adaptive Damping Cont Susp				
3.0L Eng	R/L XR8043729	m	#1.2	382.00
4.2L Eng				
w/Supercharger	R/L XR8043730	m	#1.2	315.00
w/o Supercharger	R/L XR8036064	m	#1.2	408.00
w/Adaptive Damping Cont Susp				
3.0L Eng				
w/Sport Pkg	R/L XR8043733	m	#1.2	139.75
w/o Sport Pkg	R/L XR8043728	m	#1.2	139.75
4.2L Eng				
w/Sport Pkg	R/L XR8036882	m	#1.2	372.00

w/o Sport Pkg (c) Order by Application	R/L XR8043731	m #1.2	139.75
23 Plate, Upper Mtg	R/L XR8045904	m #1.2	59.15
24 Isolator, Spring	R/L XR8012984	m #1.2	16.05
25 Spring, Front (c)			
3.0L Eng			
w/Adaptive Damping Cont Susp	R/L XR8016945	m #1.2	68.35
w/o Adaptive Damping Cont Susp	R/L XR8016937	m #1.2	72.55
4.2L Eng			
w/Supercharger	R/L XR8026825	m #1.2	71.75
w/o Supercharger			
w/Adaptive Damping Cont Susp	R/L XR8016995	m #1.2	71.95
w/o Adaptive Damping Cont Susp	R/L XR8016993	m #1.2	67.55
(c) Order by Application			
26 Spacer, Spring	R/L MJA2162AA	m #1.2	2.30
#R&R One Side Complete, w/Lower Control Arm Removed			
Deduct .7			
27 Link, Outer Bar	R/L C2C018573	m #.5	78.30
28 Bracket, Bushing	R/L XR8001834	m #	9.65
29 Bushing, Stabilizer Bar	R/L XR8019697	m #	83.40
#Not Included in O/H			
30 Bar, Stabilizer			
3.0L Eng	XR8037161	m #1.9	99.55
4.2L Eng			
w/Supercharger	XR8037160	m #1.9	99.55
w/o Supercharger	XR8037161	m #1.9	99.55
#Includes R&R Stabilizer Links, Brackets & Bushings, Not Included in O/H			



033-01396

31 Crossmember, Front Suspension XR8049495 m #4.7 725.00
#Includes R&R Lower Control Arms, Stabilizer Bar & Suspend Steering Gear & Engine Assemblies, Not Included in O/H



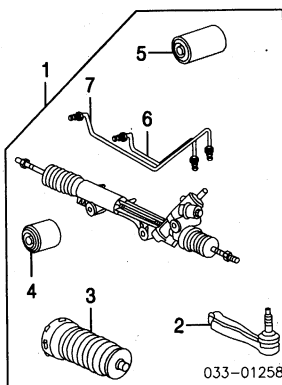
033-01397

32 Accelerometer (3)	XR8008856	m #.4	100.35
33 Bracket, Accelerometer	XR8006400	m #	37.25
34 Module, Adaptive Damping	XR8043133	m #.4	469.00
#Not Included in O/H			

FRONT STEERING LINKAGE/GEAR

R&I Steering Gear Assym 2.6

NOTE: R&R Does Not include adjust wheel alignment.



033-01258

1 Gear Assy, Steering

2000-02

New

To VIN L86901

From VIN L86902

Remanufactured

To VIN L86901

From VIN L86902

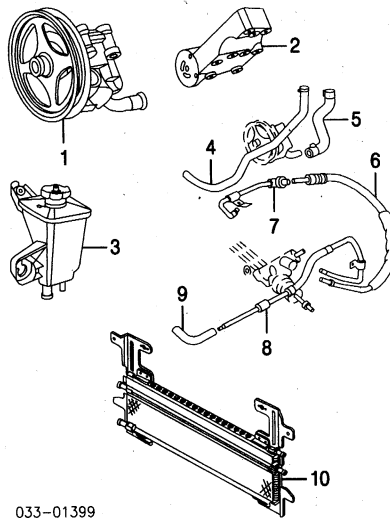
2003-05

XR8014950N	m	2.6	1160.00
XR8024830N	m	2.6	1270.00
XR8014950E	m	2.6	d1220.00
XR8024830E	m	2.6	1080.00

New	C2P006041	m	2.6	1330.00
Remanufactured	XR8044363E	m	2.6	1050.00
2 End, Tie Rod	00-02 R/L XR8001770-1	m	.3	40.50
	03-05 R/L C2C020176-7	m	.3	259.00
3 Boot, End				
2000-02				
To VIN L86901	R XR8014991	m	#.6	34.30
	L XR8007398	m	#.6	34.50
From VIN L86902	R XR8030015	m	#.6	33.35
	L XR8030016	m	#.6	35.80
2003-05	R XR8030015	m	#.6	33.35
	L XR8030016	m	#.6	35.80
#Includes R&R Tie Rod End				
Insulator, Steering Gear				
4 Lower (2)				
2000-02				
To VIN L86901	XR8001744			27.80
From VIN L86902	XR8014965			41.30
2003-05	XR8037779			26.85
5 Upper				
2000-02				
To VIN L86901	XR8001745			41.30
From VIN L86902	XR8030014			41.30
2003-05	XR8037780			41.30
6 Tube, No. 1	XR8030012	m		29.20
7 Tube, No. 2	XR8030010	m		29.20
#Included w/Steering Gear Assy				

STEERING PUMP

2000-02



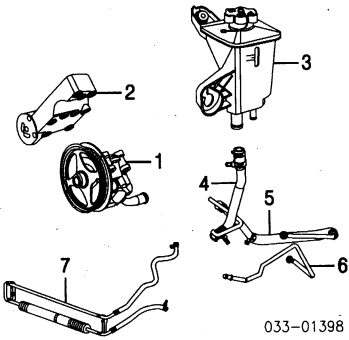
033-01399

1 Pump, Steering				
3.0L Eng				
To VIN L86901	XR8014993	m	2.0	393.00
From VIN L86902	C2C001080	m	2.0	383.00
4.0L Eng				
To VIN L86901	XR8014952	m	2.0	428.00
From VIN L86902	XR8015849	m	2.0	479.00
2 Bracket, Mounting	AJ8001228	m	#.2	41.10
#Order by Application				
#w/Pump Removed				
3 Reservoir, Fluid	XR8052173	m	.6	58.65
4 Hose, Cooler/Reservoir	XR8011724	m	.3	75.40
5 Hose, Reservoir/Pump				
3.0L Eng				
To VIN L86901	XR8001756	m	.4	32.90
From VIN L86902	XR8026045	m	.4	47.30
4.0L Eng				
To VIN L86901	XR8001757	m	.4	32.90
From VIN L86902	XR8043197	m	.4	41.60
6 Pipe, Pump/Gear				
3.0L Eng	XR8013527	m	#1.3	72.70
4.0L Eng				
To VIN L86901	XR8013525	m	#1.3	124.25
From VIN L86902	XR8033362	m	#1.3	132.40
7 Pipe, Feed				
3.0L Eng	XR8046253	m	.7	110.95
4.0L Eng	XR8046252	m	.7	110.95
#R&R Both 1.5				
8 Pipe, Gear/Cooler				
To VIN L86901	XR8013521	m	#1.1	54.95
From VIN L86902	XR8025806	m	#1.1	65.30
9 Hose, Gear/Cooler	XR8007282	m	#1.1	21.50
#R&R Complete				
10 Cooler, Trans/Steering-See Trans Oil Cooler Section				

2003-05

Illustration Located in Next Column

1 Pump, Steering



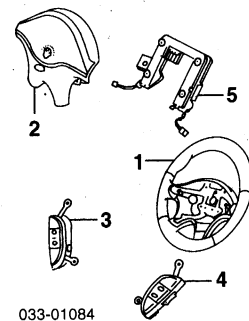
033-01398

3.0L Eng	C2C001080	m	2.0	383.00
4.2L Eng	XR8028121	m	2.0	470.00
2 Bracket, Mounting	AJ8001228	m	#.2	41.10
#w/Pump Removed				
3 Reservoir, Fluid	XR8052173	m	.6	58.65
4 Hose, Reservoir				
3.0L Eng	XR8026045	m	.3	47.30
4.2L Eng	XR8043197	m	.3	41.60
5 Hose, Pressure				
3.0L Eng	C2C012948	m	1.3	26.55
4.2L Eng	XR8034685	m	1.3	72.30
6 Pipe, Return	XR8048151	m	.8	68.75
7 Cooler, Fluid				
3.0L Eng	XR8042384	m	#.7	184.95
4.2L Eng				
w/Supercharger	XR8042385	m	#.7	184.95
w/o Supercharger	XR8042384	m	#.7	184.95
#w/Front Bumper Removed				

STEERING WHEEL/COLUMN

NOTE: All Parts in this section are included in overhaul unless noted otherwise.

WHEEL & TRIM



033-01084

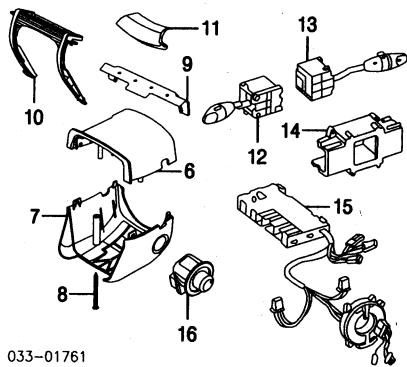
1 Wheel, Steering				
w/Switch				
To VIN M03736				
Leather				
Charcoal	XR8007480LEG	m	.5	403.00
Granite	XR8025744LGP	m	.5	398.00
Mink	XR8007480AGN	m	.5	403.00
Sable	XR8025744AEK	m	.5	398.00
Wood/Leather				
Charcoal	XR8025745LEG	m	.5	510.00
Granite	XR8025745LGP	m	.5	510.00
Mink	XR8025745AGN	m	.5	510.00
Sable	XR8025745AEK	m	.5	510.00
From VIN M03737 to VIN M45254				
Leather				
Charcoal	XR8025744LEG	m	.5	398.00
Granite	XR8025744LGP	m	.5	398.00
Mink	XR8025744AGN	m	.5	398.00
Sable	XR8025744AEK	m	.5	398.00
Wood/Leather				
Charcoal	XR8025745LEG	m	.5	510.00
Granite	XR8025745LGP	m	.5	510.00
Mink	XR8025745AGN	m	.5	510.00
Sable	XR8025745AEK	m	.5	510.00
From VIN M45255				
w/Supercharger				
Charcoal	C2C026044LEG	m	.5	555.00
Mocha	C2C026044AMB	m	.5	555.00
w/o Supercharger				
Bronze				
Charcoal	XR8043099LEG	m	.5	570.00
Granite	XR8043099LGP	m	.5	570.00
Mocha	XR8043099AMB	m	.5	535.00
Sable	XR8043099AEK	m	.5	570.00
Leather				
Charcoal	C2C017336LEG	m	.5	330.00
Granite	C2C017336LGP	m	.5	330.00
Mocha	C2C017336AMB	m	.5	403.00
Sable	C2C017336AEK	m	.5	d316.00
Perforated Leather				

JAGUAR S-TYPE 2000-05

STEERING WHEEL/COLUMN Cont'd

WHEEL & TRIM Cont'd

Charcoal	XR8043101LEG	m	.5	590.00
Granite	XR8043101LGP	m	.5	590.00
Mocha	XR8043101AMB	m	.5	560.00
Sable	XR8043101AEK	m	.5	590.00
Wood				
Charcoal	XR8043100LEG	m	.5	630.00
Granite	XR8043100LGP	m	.5	630.00
Mocha	XR8043100AMB	m	.5	595.00
Sable	XR8043100AEK	m	.5	630.00
Wood/Leather				
Charcoal	C2C017445LEG	m	.5	610.00
Granite	C2C017445LGP	m	.5	610.00
Mocha	C2C017445AMB	m	.5	590.00
Sable	C2C017445AEK	m	.5	610.00
w/o Switch				
Bronze				
Charcoal	XR8043103LEG	m	.5	570.00
Granite	XR8043103LGP	m	.5	570.00
Mocha	XR8043103AMB	m	.5	535.00
Sable	XR8043103AEK	m	.5	570.00
Leather				
Charcoal	00-02 XR8014365LEG	m	.5	550.00
	03-05 XR8043098LEG	m	.5	585.00
Granite	00-02 XR8014365LGP	m	.5	550.00
	03-05 XR8043098LGP	m	.5	585.00
Mink	XR8014365AGN	m	.5	550.00
Mocha	XR8043098AMB	m	.5	555.00
Sable	00-02 XR8014365AEK	m	.5	550.00
	03-05 XR8043098AEK	m	.5	585.00
Perforated Leather				
Charcoal	XR8043102LEG	m	.5	590.00
Granite	XR8043102LGP	m	.5	590.00
Mocha	XR8043102AMB	m	.5	560.00
Sable	XR8043102AEK	m	.5	590.00
Wood/Leather				
To VIN M03736				
Charcoal	XR8025747LEG	m	.5	510.00
Granite	XR8014364LGP	m	.5	550.00
Mink	XR8014364AGN	m	.5	615.00
Sable	XR8025747AEK	m	.5	510.00
From VIN M03737				
Charcoal	XR8025747LEG	m	.5	510.00
Granite	XR8025747LGP	m	.5	510.00
Mink	XR8025747AGN	m	.5	510.00
Sable	XR8025747AEK	m	.5	510.00
2 Module, Driver Air Bag-See Air Bag System Section				
3 Switch, Telephone	00-02 C2C017365	m	#2	94.50
	03-05 C2C017365	m	#2	94.50
4 Switch, Cruise Control				
2000-02	XR8008933	m	#2	103.30
2003-05				
w/Adaptive Speed Control	C2C017364	m	#2	95.05
w/o Adaptive Speed Control	C2C017363	m	#2	89.20
#R&R Both .3, Included in R&R Steering Wheel				
5 Horn Kit				
w/Switches	00-02 XR8014234	m		91.95
	03-05 XR8026242	m		0.00
w/o Switches	00-02 XR8014233	m		88.00
	03-05 XR8026236	m		0.00



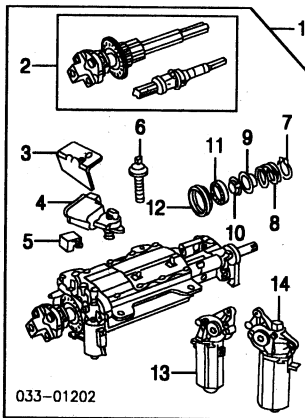
033-01761

6 Cover, Upper Column				
Charcoal	00-02 XR8013432LEG	m	#4	40.20
	03-05 C2C012414LEG	m	#4	28.80
Granite	00-02 XR8013432LGP	m	#4	61.50
	03-05 C2C012414LGP	m	#4	28.80
Mink	XR8013432AGN	m	#4	40.20
Mocha	C2C012414AMB	m	#4	26.15
Sable	00-02 XR8013432AEK	m	#4	40.20
	03-05 C2C012414AEK	m	#4	28.80
7 Cover, Lower Column				
Charcoal				
2000-02				
w/Tilt Column	XR8026639LEG	m	#4	33.75
w/o Tilt Column				
To VIN L52822	XR8001433LEG	m	#4	34.85
From VIN L52823	XR8026639LEG	m	#4	33.75
2003-05	C2C004731LEG	m	#4	33.75
Granite				
2000-02				
To VIN L52822	XR8001433LGP	m	#4	34.85
From VIN L52823	XR8026639LGP	m	#4	33.75
2003-05	C2C004731LGP	m	#4	33.75
Mink				

w/Tilt Column	XR8001432AGN	m	#4	42.90
w/o Tilt Column				
To VIN L52822	XR8001433AGN	m	#4	34.85
From VIN L52823	XR8026639AGN	m	#4	33.75
Mocha	C2C004731AMB	m	#4	64.30
Sable				
2000-02				
To VIN L52822	XR8001433AEK	m	#4	34.85
From VIN L52823	XR8026639AEK	m	#4	33.75
2003-05	C2C004731AEK	m	#4	33.75
#R&R Complete				
8 Screw, Mounting (2)	XR8015844			.85
9 Finisher, Column				
To VIN L14899	XR8008600	m		d5.04
From VIN L14900	XR8013444	m		6.80
10 Finisher, Cowl	XR8037775			36.90
11 Panel, Filler	XR8034643			82.65
12 Switch, Turn Signal	00-02 JLM020938	m	#1.0	108.35
	03-05 XR8054841	m	#1.0	115.05
13 Switch, Wiper				
w/Rain Sensor	00-02 JLM020951	m	#1.0	172.00
	03-05 XR8054842	m	#1.0	98.95
w/o Rain Sensor	00-02 JLM020950	m	#1.0	149.15
	03-05 XR8036631	m	#1.0	108.35
14 Mounting, Switch	JLM020939	m	#1.0	29.20
#R&R Complete, Includes R&R Cancellation Module				
15 Module, Cancellation				
2000-02				
To VIN L18230	JLM020940	m	.8	108.85
From VIN L18231	JLM021256	m	.8	195.35
2003-05	C2C014029	m	.8	130.35
16 Switch, Column Adjust				
2000-02	XR8001132	m	.5	40.50
2003-05				
w/Adjustable Pedal	XR8026720	m	.5	38.70
w/o Adjustable Pedal	XR8026759	m	.5	38.70

COLUMN TILT 2000-02

R&I Steering Column	m	3.4
O/H Steering Column (Includes R&I)	m	5.6

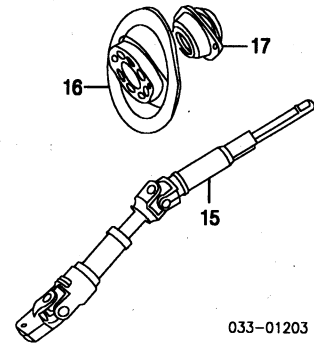


033-01202

1 Column Assy				
w/Lock	XR8040066	m	5.6	685.00
w/o Lock	XR8040065	m	5.6	730.00
2 Shaft & Bearing				
w/Lock	XR8018449	m		630.00
w/o Lock	XR8018448	m		510.00
3 Bracket, Lock	XR8011543	m		4.45
4 Lock, Steering Column	XR8013537	m		271.00
5 Sensor, Rotation	C2C001741	m		40.55
6 Bolt, Shear (2)	C2C006539	m		1.70
7 Circlip, Steering Column	XR8006519	m		.80
8 Spring, Column	XR8006518	m		2.75
9 Sleeve, Column	XR8006517	m		.80
10 Ring, Column	XR8008691	m		1.50
11 Bearing, Upper	XR8007878	m		7.30
12 Bearing, Intermediate	XR8006556	m		12.70
13 Motor, Tilt	XR8003591	m	.9	84.30
14 Motor, Telescopic	XR8003592	m	.9	122.75
#Included w/Column Assy				

Illustration Located in Next Column

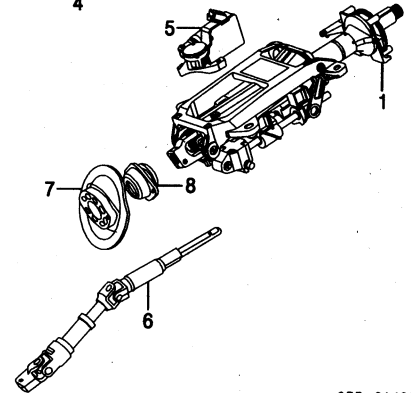
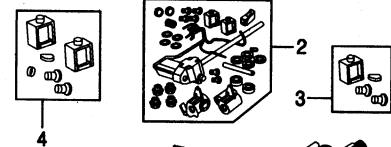
15 Shaft, Lower				
To VIN L52822	XR8025764	m	1.3	92.75
From VIN L52823	XR8025764	m	1.3	92.75
16 Collar, Shaft	XR8031165	m		43.20
17 Boot, Shaft				
To VIN L23575	XR8001721	m		41.00
From VIN L23576	C2C001298	m		33.80



033-01203

COLUMN TILT 2003-05

R&I Steering Column	m	2.2
---------------------	---	-----



033-01400

1 Column	C2C020159	m	2.5	775.00
2 Motor, Column	C2C011694	m	#9	111.90
3 Motor, Tilt	XR8029830	m	#9	61.20
4 Motor, Telescopic	XR8029831	m	#9	61.50

#Each Additional .4, Included in R&R Steering Column

5 Lock, Steering				
To VIN M66983	C2C025778	m	.8	282.00
From VIN M66984 to VIN N22012	C2C025778	m	.8	282.00
From VIN N22013	C2C025778	m	.8	282.00
6 Shaft, Lower				
To VIN N28538	XR8049463	m	.6	154.55
From VIN N28539	XR8049463	m	.6	154.55
7 Collar, Shaft	XR8031166	m		48.90
8 Boot, Shaft	C2C001298	m		33.80

ENGINE

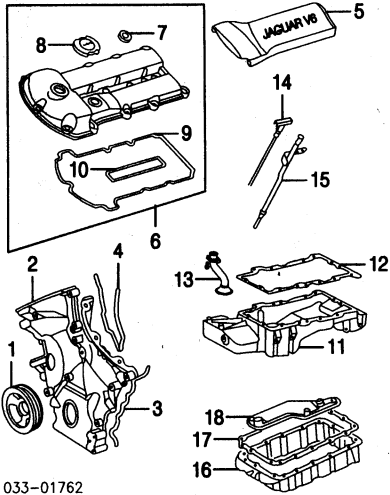
Use Procedure Explanation 12 with the following text.

3.0L ENG

R&I Engine Assy	m	9.6
-----------------	---	-----

Illustration Located in Next Column

1 Damper, Crankshaft	XR8054185	m	1.5	151.20
2 Cover, Timing	00-02 XR8024947	m	7.9	192.10
	03-05 C2S016388	m	7.9	198.50
3 Gasket, Lower	R XR8005358	m		24.15
	L XR8005360	m		24.15
4 Gasket, Upper	R XR8005359	m		24.15
	L XR8005285	m	.4	45.85
5 Cover, Outer				
6 Cover Assy, Valve				
2000-02	R AJ8002572	m	2.2	157.60
	L XR8026735	m	1.1	157.60
2003-05				
To VIN M62935	R XR8032323	m	2.2	137.55
	L C2S015672	m	1.1	137.55
From VIN M62936	R C2S034514	m	2.2	157.60
	L AJ8007282	m	1.1	157.60
7 Grommet, Cover (2)	AJ8002577	m		4.60
8 Cap, Oil Filler	XR8005227	m		26.45

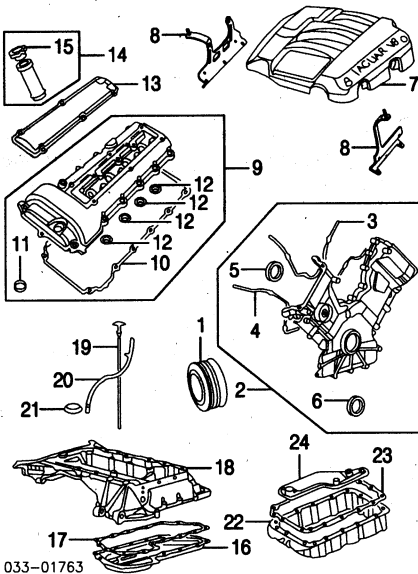


033-01762

9 Gasket, Valve Cover† To VIN M45254	R XR8005374 L XR8016232	m	20.45 23.80
From VIN M45255	R C2S006420 L C2S034512	m	d16.45 13.95
10 Gasket, Inner† †Included w/Valve Cover Assy	R/L XR8005380	m	20.45
11 Pan, Eng Oil	AJ8009166	m	268.00
12 Gasket, Eng Oil Pan	XR8027533	m	23.50
13 Pipe, Oil	XR8027654	m	35.30
14 Dipstick, Engine Oil	XR8013550	m	17.75
To VIN L37177	XR8013550	m	17.75
From VIN L37178 to L86901	C2S004667	m	21.30
From VIN L86902	XR8034936	m	17.65
15 Tube, Engine Dipstick	XR8005225	m	10.00
16 Pan, Trans Oil	XR8052334	m 1.5	26.50
17 Gasket, Trans Oil Pan (a) To VIN L31320	XR8005505	m	13.65
From VIN L31321	XR8014422	m	15.80
(a) Order by Application			
18 Filter, Trans Oil	XR8018567	m	11.55

4.0L, 4.2L ENG

R&I Engine Assym 9.0



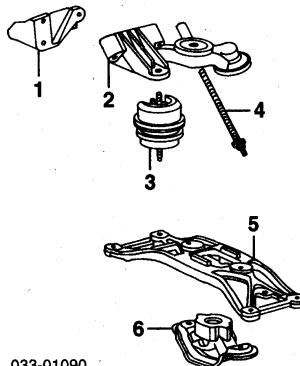
033-01763

1 Damper, Crankshaft 4.0L Eng To Eng 0108122359	AJ8001329	m	2.7	153.15
From Eng 0108130000	AJ8005386	m	2.7	181.50
4.2L Eng w/Supercharger	AJ8003993	m	3.1	181.50
w/o Supercharger	AJ8008478	m	3.1	181.50
2 Cover Assy, Timing 4.0L Eng	AJ8005835	m	4.9	126.50
4.2L Eng w/Supercharger	AJ8002460	m	5.6	650.00
w/o Supercharger	AJ8002257	m	5.6	515.00
3 Gasket, Inner†	AJ8003699	m		27.20
4 Gasket, Outer†	AJ8003700	m		26.50
5 Seal, Frt Bearing† 4.0L Eng	NCE2142AA	m		2.10
4.2L Eng	AJ8003701	m		5.15

6 Seal, Front† †Included w/Timing Cover Assy	AJ8003698	m		64.30
7 Cover, Engine 4.0L Eng	XR8007427		4	67.90
4.2L Eng w/Supercharger 2003	XR8031167		4	67.90
To VIN M62935	XR8052136		4	83.75
From VIN M62936	XR8052136		4	83.75
2004-05	XR8040855		4	67.90
w/o Supercharger				
8 Bracket, Cover 4.0L Eng	R AJ8002549 L AJ8002548			29.85 11.80
4.2L Eng	R AJ8004301 L AJ8008386			11.70 11.75
9 Cover Assy, Valve 4.0L Eng	R AJ8009027 L AJ8008970	m	1.5	181.50 181.50
4.2L Eng w/Supercharger	R AJ8002542 L AJ8002874	m	1.6	181.50 181.50
w/o Supercharger	R AJ8002857 L AJ8002855	m	1.6	181.50 181.50
10 Gasket, Valve Cover (a) 4.0L Eng	R AJ8008400 L AJ8008285	m		25.10 24.45
4.2L Eng	R AJ8002873 L AJ8006873	m		13.40 22.95
11 Seal, Cover (a)	R/L AJ8002856	m		17.50
12 Seal, Spark Plug (a) (4/Side) (a) Included w/Valve Cover Assy	R/L AJ8006874	m		1.60
13 Cover, Coil	R AJ8008280 L AJ8005627		2	20.60 22.75
14 Tube Assy, Oil Filler	AJ8009581		5	17.90
15 Cap, Oil Filler (b) (b) Included w/Oil Filler Tube Assy	AJ8007922			11.40
16 Pan, Lower Eng Oil	C2C007250	m	.9	56.95
17 Gasket, Lower Eng Pan	NCE1730BB	m		5.65
18 Pan, Upper Eng Oil 00-02	AJ8004493	m	#1.3	276.00
03-05	AJ8004494	m	#1.3	276.00
†Includes R&R Lower Oil Pan				
19 Dipstick, Eng Oil	C2C022741			17.10
20 Tube, Eng Dipstick 00-02	NRA1706AC		.5	11.35
03-05	C2C022742		.5	29.05
21 O-Ring, Tube	KSH108624			11.80
22 Pan, Trans Oil	XR8052334	m	1.5	26.50
23 Gasket, Trans Oil Pan (c) To VIN L31320	XR8005505	m		13.65
From VIN L31321	XR8014422	m		15.80
(c) Order by Application				
24 Filter, Trans Oil	XR8018567	m		11.55

ENGINE/TRANS MOUNTS

3.0L ENG



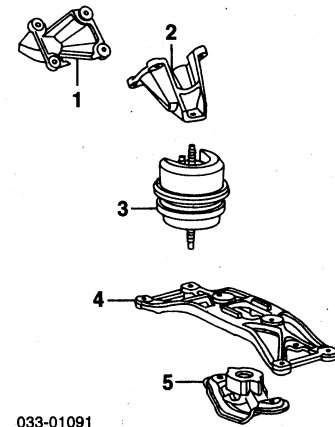
033-01090

1 Bracket, Mounting †Mount Removed	R C2C004851		#2	56.95
2 Adapter/Brtk, Oil Filter† †Order by Application	XR8035640	m		151.60
3 Mount, Engine To VIN M43254	R/L XR8002891		.8	80.60
From VIN M45255 to VIN N01000	R/L C2C031216		.8	92.05
From VIN N01001	R/L XR8054274		.8	66.60
4 Stud, Bolt	XR8011828			3.80
5 Support, Rear Mount To VIN L52822	XR8001942		#6.3	62.40
From VIN L52823	XR8018342		#6.3	80.60
†Includes R&R Trans Mount				
6 Mount, Trans	XR8002023		.9	80.60

4.0L, 4.2L ENG

Illustration Located in Next Column

1 Bracket, Right Mounting 4.0L Eng	MRA7510AA		#2	56.95
4.2L Eng	AJ8001290		#2	0.00
2 Bracket, Left Mounting				



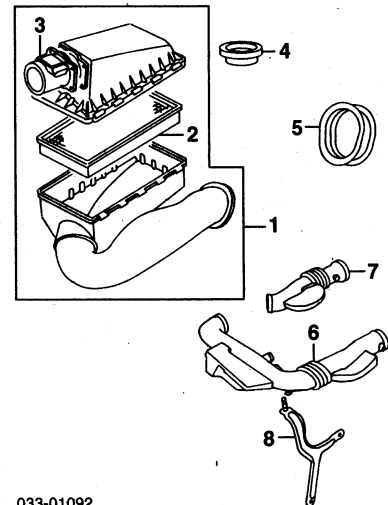
033-01091

4.0L Eng	MRA7511AA	#2	56.95	
4.2L Eng	AJ8001291	#2	0.00	
†w/Engine Mount Removed				
3 Mount, Engine 4.2L Eng	R/L XR8002892		.8	90.00
4 Support, Rear Mount 2000-02				
To VIN L52822	XR8001942		#6.3	62.40
From VIN L52823	XR8018343		#6.3	90.00
2003-05				
w/Supercharger	XR8044362		#6.3	87.90
w/o Supercharger	XR8054072		#6.3	137.55
†Includes R&R Trans Mount				
5 Mount, Trans 2000-02	XR8002023		.9	80.60
2003-05				
w/Supercharger	XR8049534		.9	77.00
w/o Supercharger	XR8049533		.9	74.00

AIR CLEANER

2000-02

R&I Air Cleaner Assy 4



033-01092

1 Cleaner Assy, Air 3.0L Eng	XR8027040		4	303.00
4.0L Eng	XR8028717		4	237.85
2 Element, Cleaner†	XR8008237		2	12.20
3 Meter, Air Flow† 3.0L Eng	XR8011751	m	.3	155.25
4.0L Eng	XR8007309	m	.3	119.95
†Included w/Air Cleaner Assy				
4 Insulator, Air Cleaner To VIN L22799	XR8001895			16.95
From VIN L22800	XR8018768			17.25
5 Intake, Air	XR8019232			3.55
6 Tube, Intake	XR8015420		.3	80.95
7 Tube, Throttle Body	XR8012382		.3	143.30
8 Bracket, Air Cleaner	XR8001890			7.50

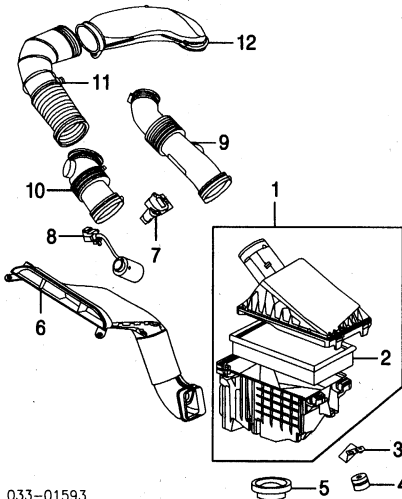
2003-05

R&I Air Cleaner Assy 4

JAGUAR S-TYPE 2000-05

AIR CLEANER Cont'd

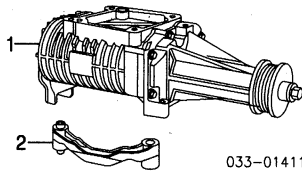
2003-05 Cont'd



033-01593

1 Cleaner Assy, Air			
3.0L Eng	C2C013811	.4	222.30
4.2L Eng			
w/Supercharger	C2C013812	.4	363.00
w/o Supercharger	C2C013811	.4	222.30
2 Element, Cleaner	AJ8002766	.2	21.55
<i>†Included w/Air Cleaner Assy</i>			
3 Bracket, Air Cleaner	XR8026802		17.25
4 Insulator, Bracket	XR8003372		1.30
5 Insulator, Air Cleaner	XR8018768		17.25
6 Duct, Air Intake	XR8043109	.2	20.60
7 Sensor, Air Flow			
3.0L Eng	C2S002670	m .3	44.00
4.2L Eng			
w/Supercharger	C2C007636	m .3	128.45
w/o Supercharger	C2S002670	m .3	44.00
8 Solenoid, Air			
w/Supercharger	C2C009642	.2	157.35
w/o Supercharger	C2C016486	.2	70.35
9 Tube, Air Intake			
10 Tube, Throttle Body			
Front	XR8049560	.2	43.80
Center			
To VIN M71873	XR8025854	.2	85.75
From VIN M71874 to VIN N25545	C2C016487	.2	76.70
From VIN N25546	XR8049565	.2	69.60
Rear	AJ8006648	.2	192.15

SUPERCHARGER



033-01411

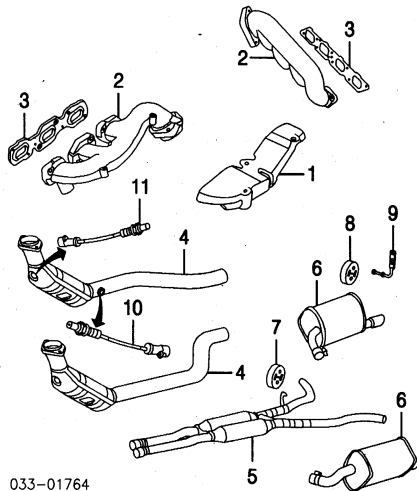
1 Supercharger	AJ8009855	m 4.7	1875.00
2 Bracket, Supercharger	NCC7708AB		43.25

EXHAUST

R&R Exhaust System Complete #2.4
#Does Not Include R&R Exhaust Manifolds & Shields

Illustration Located in Next Column

1 Shield, Manifold			
3.0L Eng	R/L XR8015335-6	.3	111.80
4.2L Eng			
To VIN M99038	R AJ8002714	.3	102.50
	L AJ8002721	.3	102.50
From VIN M99039	R/L AJ8008265-6	.3	49.65
2 Manifold, Exhaust			
3.0L Eng			
00-02 R	XR8029224	m 1.0	249.80
L	XR8029225	m 1.0	253.50
03-05 R	XR8029223	m 1.0	249.80
L	XR8029225	m 1.0	253.50
4.0L Eng			
R	AJ8001715	m .9	205.00
L	AJ8001714	m 1.1	240.30
4.2L Eng			
w/Supercharger	R AJ8009467	m 1.5	456.00



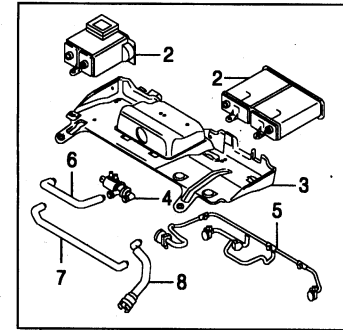
033-01764

w/o Supercharger			
L	AJ8003951	m 1.7	495.00
R	AJ8005969	m 1.5	d454.00
L	AJ8005970	m 1.7	d454.00
3 Gasket, Exhaust Manifold			
3.0L Eng	R/L C2S033620	m	9.10
4.0L Eng	R/L NCE2907AD	m	9.05
4.2L Eng	R AJ8008610	m	36.05
	L AJ8010025	m	36.10
4 Pipe, Front			
w/Converter			
3.0L Eng			
2000-02			
To VIN L86901	R XR8001125	#.7	760.00
	L XR8001127	#.7	760.00
From VIN L86902	R XR8015858	#.7	785.00
	L XR8015860	#.7	d670.00
2003-05			
To VIN M62935	R XR8018801	#.7	650.00
	L XR8018806	#.7	600.00
From VIN M62936 to VIN M91742	R XR8044395	#.7	740.00
	L XR8034947	#.7	715.00
From VIN M91743	R XR8044395	#.7	740.00
	L XR8044398	#.7	755.00
4.0L Eng			
To VIN L86901	R XR8001126	#.7	760.00
	L XR8001128	#.7	760.00
From VIN L86902	R XR8015859	#.7	815.00
	L XR8015861	#.7	645.00
4.2L Eng			
w/Supercharger	R XR8045110	#.7	935.00
	L XR8045111	#.7	945.00
w/o Supercharger	R XR8045109	#.7	945.00
	L XR8045112	#.7	935.00
w/o Converter			
3.0L Eng			
To VIN L86901	R XR8001659	#.7	310.00
	L XR8002834	#.7	318.00
From VIN L86902	R XR8018358	#.7	790.00
	L XR8018026	#.7	312.00
4.0L Eng			
To VIN L86901	R XR8001660	#.7	346.00
	L XR8010498	#.7	346.00
From VIN L86902	R XR8018027	#.7	312.00
	L XR8018354	#.7	312.00
4.2L Eng			
w/Supercharger	R XR8045110	#.7	935.00
	L XR8045112	#.7	935.00
w/o Supercharger	R XR8045109	#.7	945.00
	L XR8045111	#.7	945.00
#R&R Both Sides 1.1			
5 Pipe, Silencer			
2000-02	XR8023678	.8	323.00
2003-05			
3.0L Eng	XR8034363	.8	620.00
4.2L Eng			
w/Supercharger	XR8018794	.8	309.00
w/o Supercharger	XR8034363	.8	620.00
6 Muffler, Rear			
3.0L Eng			
00-02 R	XR8023679	#.6	293.00
L	XR8023681	#.6	293.00
03-05 R/L	XR8017107-8	#.6	297.00
	R XR8023680	#.6	293.00
L	XR8023682	#.6	293.00
4.0L Eng			
w/Supercharger	R XR8018797	#.6	450.00
	L XR8018799	#.6	449.00
w/o Supercharger	R XR8018796	#.6	468.00
	L XR8018798	#.6	468.00
#R&R Both Sides 1.0			
7 Mount, Front Rubber	R/L XR8009284		5.50
8 Mount, Rear Rubber			
3.0L Eng	R/L XR8013826		6.45
4.0L Eng	R/L XR8009803		6.20
4.2L Eng	R/L XR8009803		6.20
9 Bracket, Mount			
00-02 R/L	XR8002880-1		4.35
03-05 R/L	XR8049454-5		5.70
10 Sensor, No. 1 Oxygen	00-02 R/L XR8006938	#.3	109.85
03-05 R/L	C2C029250	#.3	112.30
11 Sensor, No. 2 Oxygen			
2000-02			

3.0L Eng			
To VIN L86901	R/L XR8001557	#.3	119.95
From VIN L86902	R/L XR8002998	#.3	131.40
4.0L Eng	R/L XR8002007	#.3	119.95
2003-05	R/L C2C025956	#.3	112.30

#R&R Both One Side .5

EMISSION SYSTEM

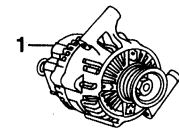


033-01189

1 Canister Assy, Vapor			
00-02	XR8009891	m #.6	172.00
03	XR8018997	m #.6	172.00
04-05	XR8050468	m #.6	382.00
2 Canister, Vapor			
Single	XR8003067	m #.8	172.00
Double	XR8003068	m #.8	172.00
#w/Suspension/Rear Frame Assy Removed			
3 Bracket, Mounting	XR8003364		53.65
4 Solenoid, Vapor			
00-02	XR8005459	m	49.60
03	XR8028437	m	68.75
04-05	N.A.	m	0.00
5 Harness, Emission	XR8005461	m	74.60
6 Hose, Solenoid	XR8041884	m	50.95
7 Hose, Vapor Canister	XR8003071	m	42.10
8 Hose, Vapor	XR8003069	m	42.10
†Included w/Vapor Canister Assy			
9 Valve, EGR	XR8015121	m .5	169.10
10 Gasket, EGR Valve	NCE477AAA	m	1.15
11 Tube, EGR	XR8015337	m 1.3	113.70
12 Sensor, Pressure	LRA1614BB	m .4	57.40
Sensor, No. 1 Oxygen-See Exhaust Section			
Sensor, No. 2 Oxygen-See Exhaust Section			

ELECTRICAL

ALTERNATOR 3.0L ENG



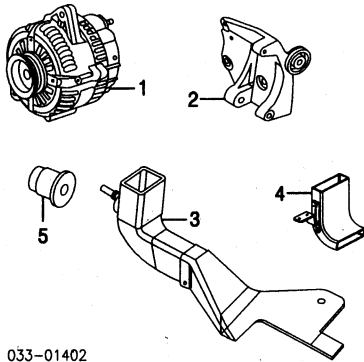
033-01095

1 Alternator			
Man Trans			
2000-02			
To VIN L77020	XR8042453	m .8	555.00
From VIN L77021	XR8042453	m .8	555.00
2003-05	XR8037165	m .8	580.00
Auto Trans			
00-02	XR8042452	m .8	555.00
03-05	XR8037164	m .8	580.00
	XR8008841	m	20.05

ALTERNATOR 4.0L, 4.2L ENG

Illustration Located in Next Column

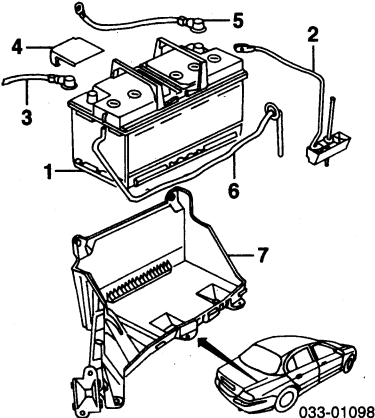
1 Alternator	00-02 XR8006934	m .8	464.00
---------------------	-----------------	------	--------



033-01402

2 Bracket, Mounting	03-05 C2C019630	m	.8	620.00
2000-02				
To Eng 0108122359	C2C008433	#.2	75.80	
From Eng 0108122360	C2C008433	#.2	75.80	
2003-05	C2C022757	#.2	84.65	
<i>#w/Alternator Removed</i>				
Duct, Cooling				
3 4.0L Eng	XR8009605	.3	62.70	
4 4.2L Eng	XR8025028	.3	92.10	
5 Bushing, Duct				
4.0L Eng	XR8009556		12.50	

BATTERY

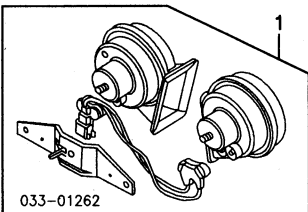


033-01098

1 Battery	N.A.	.2	0.00
2 Bracket, Hold-Down	XR8034356		87.70
3 Cable, Positive	N.A.	.6	0.00
4 Cover, Cable	XR8011245		1.60
5 Cable, Negative	00-03 XR8040827	.3	27.80
	04-05 XR8040827	.3	27.80
	00-02 XR8002714		2.45
	03-05 XR8040090		2.35
6 Tube, Vent	00-02 C2C001063	#.5	24.60
	03-05 XR8040132	#.5	22.25

#Includes R&R Battery

HORN

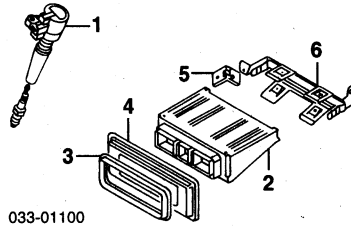


033-01262

1 Horn Kit	00-02 XR8043229	.3	34.60
	03 XR8032253	.3	38.45
	04-05 XR8052049	.3	36.45

IGNITION

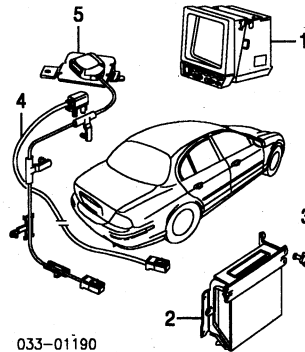
R&R Ignition Coils Complete		m	1.1
3.0L Eng			1.1
4.0L Eng, 4.2L Eng		m	1.3



033-01100

1 Coil, Ignition				
3.0L Eng (6)	00-02 XR8042741	m	.2	40.55
	03-05 C2S011480	m	.2	36.85
4.0L Eng, 4.2L Eng (8)	XR8027823	m	.2	68.25
2 Module, Engine Control				
3.0L Eng	XR8014085NBH	m	.7	825.00
4.0L Eng, 4.2L Eng	XR8044377	m	.7	1460.00
w/Supercharger	XR8044376	m	.7	1460.00
w/o Supercharger				
<i>#Order by Application</i>				
3 Seal, No. 1 Module	00-02 XR8001554			10.35
	03-05 XR8018626			76.80
4 Seal, No. 2 Module	XR8001551			12.95
5 Bracket, No. 1 Mounting	00-02 XR8001552			11.40
	03-05 XR8024721			21.25
6 Bracket, No. 2 Mounting	XR8001572			34.90

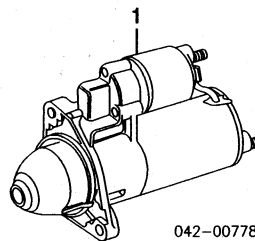
NAVIGATION SYSTEM



033-01190

1 Display, Navigation				
Gray	XR8001494LGR	m	1.8	2200.00
Mink	XR8001494AGN	m	1.8	2150.00
Sable	XR8001494AEK	m	1.8	2150.00
2 Module, Navigation				
To VIN L77674	XR8017290	m	#.3	2350.00
From VIN L77675	XR8018917	m	#.3	2350.00
<i>#w/Side Trim Panel Removed</i>				
3 Retainer, Module (2)	XR8010891			3.20
4 Harness, Antenna				
To VIN L86901	XR8002797	m	1.1	41.80
From VIN L86902	XR8045511	m	#.1	41.10
<i>#Includes R&R Navigation Antenna</i>				
5 Antenna, Navigation	XR8013779	m	.5	121.10

STARTER

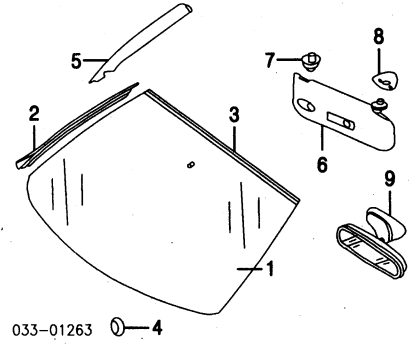


042-00778

#1 Starter				
3.0L Eng	XR8048128	m	.9	137.20
4.0L, 4.2L Eng	AJ8003990	m	.9	875.00

WINDSHIELD

R&I Windshield	#3.8
<i>#Includes Clean Up Old Adhesive as Necessary</i>	



033-01263

1 Glass, Windshield				
Jaguar (Tint)				
w/Electrochromic Mirror				
Heated				
2000-02				
w/Rain Sensor	XR8022932			#3.5 650.00
w/o Rain Sensor	XR8022931			#3.5 650.00
2003-05	XR8049162			#3.5 630.00
Non-Heated				
2000-02				
w/Rain Sensor	XR8022930			#3.5 461.00
w/o Rain Sensor	XR8022929			#3.5 461.00
2003	XR8027539			#3.5 455.00
2004-05	XR8049161			#3.5 489.00
w/o Electrochromic Mirror				
Heated	XR8049163			#3.5 630.00
Non-Heated	00-03 XR8018903			#3.5 452.00
	04-05 XR8047081			#3.5 489.00
NAGS (Tint)				
2000-02				
Heated				
w/Rain Sensor	FW02148GTN			#3.5 0.00
w/Electrochromic Mirror	FW02146GTN			#3.5 0.00
w/o Electrochromic Mirror	FW02143GTN			#3.5 0.00
Non-Heated				
w/Rain Sensor	FW02147GTN			#3.5 0.00
w/Electrochromic Mirror	FW02145GTN			#3.5 0.00
w/o Electrochromic Mirror	FW02144GTN			#3.5 0.00
2003-05				
Heated	FW02357GTN			#3.5 0.00
Non-Heated	FW02356GTN			#3.5 0.00
<i>#Includes Clean Up Old Adhesive as Necessary</i>				
2 Finisher, Side Windshield	R/L XR8042456-7			61.55
3 Finisher, Upper Windshield	XR8017619			29.20
4 Spacer, Windshield	XR8002142			1.85
<i>#As Required</i>				
5 Midg, Inside Garnish				
Almond	R XR8026859AGM		.2	81.75
	L XR8026860AGM		.2	81.75
Champagne	R XR8043116SEL		.2	90.45
	L XR8043114SEL		.2	69.55
Gray	00-02 R XR8026859LFJ		.2	81.75
	L XR8026860LFJ		.2	81.75
	03-05 R XR8053063LFJ		.2	90.15
	L XR8043114LFJ		.2	95.75
Oatmeal	R XR8053063AGD		.2	90.15
	L XR8043114AGD		.2	95.75
6 Visor, Sun				
w/GDO				
Champagne	R XR8045625SEL		.2	180.35
	L XR8045627SEL		.2	180.35
Gray	R XR8006303LFJ		.2	187.25
2000-02	L XR8006305LFJ		.2	345.00
2003-05				
To VIN M87822	R XR8045625LFJ		.2	184.05
	L XR8045627LFJ		.2	180.35
From VIN M87823	R XR8037098LFJ		.2	0.00
	L XR8037102LFJ		.2	0.00
Oatmeal	R XR8045625AGD		.2	184.05
To VIN M87822	L XR8045627AGD		.2	180.35
From VIN M87823	R XR8037098AGD		.2	0.00
	L XR8037102AGD		.2	0.00
w/o GDO				
Almond	R XR8002374AGM		.2	217.00
	L XR8002375AGM		.2	272.00
Gray	R XR8002374LFJ		.2	217.00
	L XR8002375LFJ		.2	272.00
7 Holder, Visor				
Almond	R/L XR8011685AGM			7.35
Champagne	R/L XR8039138SEL			7.10
Gray	00-02 R/L XR8011685LFJ			7.35
	03-05 R/L XR8039138LFJ			7.10
Oatmeal	R/L XR8039138AGD			7.10
8 Cover, Visor				
Almond	R/L XR8011684AGM			7.35
Champagne	R/L XR8034989SEL			9.25
Gray	00-02 R/L XR8011684LFJ			7.35
	03-05 R/L XR8034989LFJ			7.40
Oatmeal	R/L XR8034989AGD			7.40
9 Mirror, Rear View				
w/Electrochromic Mirror				
2000-02				
w/Compass				
w/Rain Sensor	XR8035925		.2	308.00
w/o Rain Sensor	XR8025752		.2	283.00

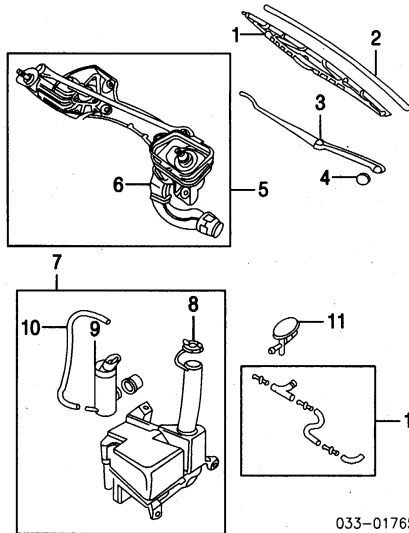
JAGUAR S-TYPE 2000-05

WINDSHIELD Cont'd

w/o Compass			
w/Rain Sensor	XR8035926	.2	239.05
w/o Rain Sensor	XR8015488	.2	267.00
2003			
w/Compass	C2C019194	.2	306.00
w/o Compass	C2C019193	.2	226.95
2004-05			
w/Compass	C2C019194	.2	306.00
w/o Compass	C2P002869	.2	226.45
w/o Electrochromic Mirror	XR8009298	.2	40.45

WIPER SYSTEM

Refinish Washer Nozzle.....R/L .2



1 Blade, Wiper [¶]	R C2C025323	.1	24.05
	L XR8032336	.1	22.55
<i>¶Order by Application</i>			
2 Rubber, Insert			
2000-02			
To VIN M35842 [¶]	JLM020949		16.25
From VIN M35843	R/L C2C006055-6		d9.20
2003-05	R/L C2C025329-30		12.25
<i>¶Sold as Set</i>			
3 Arm, Wiper			
2000-03			
To VIN M35842	R XR8027872	#.2	27.05
	L XR8027870	#.2	27.05
From VIN M35843	R XR8032334	#.2	27.05
	L XR8032332	#.2	27.05
	R XR8052224	#.2	27.05
	L XR8052222	#.2	27.05
<i>#Includes R&R Wiper Blade</i>			
4 Cover, Wiper Arm	R/L XR8007211		2.75
5 Linkage Assy, Wiper	XR8045459	#2.7	238.00
6 Hose, Motor Front (a)	XR8013430		4.40
<i>(a) Included w/Wiper Linkage Assy</i>			
<i>#Includes R&R Cowl Plenum Panel & Wiper Arms</i>			
7 Reservoir Assy, Washer			
w/ H/Lamp Washer	00-03 XR8050709	.8	158.70
	04-05 XR8050711	.8	102.40
w/o H/Lamp Washer	XR8050710	.8	158.70
	XR8004747		1.15
8 Cap, Reservoir (b)			
9 Pump, Washer (b)-Serviced w/Washer Reservoir Assy			
10 Tube, Washer (b)-Serviced w/Washer Reservoir Assy			
<i>(b) Included w/Washer Reservoir Assy</i>			
11 Nozzle, Washer			
Black			
To VIN L52822	R/L XR8001412PDT	.2	30.15
From VIN L52823	R/L XR8018406PDT	.2	14.05
Natural (P)	R/L XR8009359XXX	.2	29.95
<i>(P) Paint to Match</i>			
12 Tee, Washer	00-02 XR8002155		6.60
	03-05 XR8018350		4.40

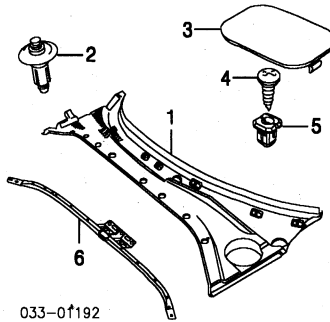
COWL & DASH

Use Procedure Explanations 14 and 28 with the following text.

R&I Cowl Plenum Panel.....#.8
#Includes R&I/R&R Wiper Arms

Illustration Located in Next Column

1 Panel, Cowl Plenum	00-02 XR8018602	#.8	126.80
	03-05 XR8047379	#.8	119.90
<i>#Includes R&I/R&R Wiper Arms</i>			
2 Clip, Panel (9)	XR8007508		1.15
3 Plug, Cowl Panel (7)	XR8002652		1.40
4 Screw, Panel (7)	XR8013347		.45



5 Nut, Panel (7)	XR8002312		3.80
6 Brace, Support	XR8003497		51.35

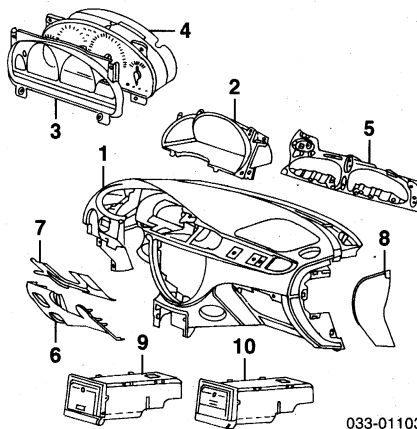
INSTRUMENT PANEL

Use Procedure Explanation 14 with the following text.

2000-02

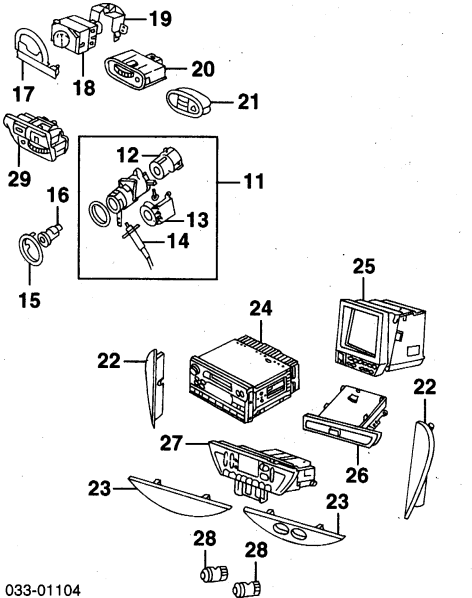
R&I Instrument Panel Assy.....m 5.0

NOTE: All Parts in this section are included in R&R Instrument Panel unless noted otherwise.



1 Panel, Instrument			
w/Premium Sound			
Charcoal/Almond	XR8014912LHF	m	8.0 d1140.00
Charcoal/Cashmere	XR8014912LHG	m	8.0 2150.00
Charcoal/Gray	XR8014912LEG	m	8.0 2150.00
Charcoal/Ivory	XR8014912LGJ	m	8.0 d1140.00
Granite/Pewter	XR8014912LGY	m	8.0 2150.00
Mink/Almond	XR8014912AGS	m	8.0 2150.00
Sable/Cashmere	XR8014912AET	m	8.0 2150.00
Sable/Ivory	XR8014912AES	m	8.0 2150.00
w/o Premium Sound			
Charcoal/Almond	XR8014910LHF	m	8.0 d1140.00
Charcoal/Cashmere	XR8014910LHG	m	8.0 d1140.00
Charcoal/Gray	XR8014910LEG	m	8.0 2150.00
Charcoal/Ivory	XR8014910LGJ	m	8.0 d1140.00
Granite/Pewter	XR8014910LGY	m	8.0 2150.00
Mink/Almond	XR8014910AGS	m	8.0 2150.00
Sable/Cashmere	XR8014910AET	m	8.0 2150.00
Sable/Ivory	XR8014910AES	m	8.0 2150.00
2 Housing, Instrument	XR8006335		835.00
3 Lens, Cluster	XR8003145		61.05
4 Cluster, Instrument [¶]			
MPH/KPH			
To VIN L23000	XR8018496D	m	.9 0.00
From VIN L23001	XR8014259	m	.9 0.00
KPH/MPH			
To VIN L23000	XR8001534	m	.9 d640.00
From VIN L23001	XR8014260	m	.9 0.00
<i>¶Order by Application</i>			
5 Mounting, Instrument Cluster			
To VIN M35061	XR8013987		10.35
From VIN M35062	XR8030022		dB.15
6 Bolster, Knee			
Almond	XR8017280AGM	.2	104.25
Cashmere	XR8017280SDZ	.2	104.25
Champagne	XR8036650SEL	.2	118.55
Charcoal	XR8017280LEG	.2	104.25
Dove	XR8036650LHJ	.2	130.75
Granite	XR8036650LGP	.2	118.55
Ivory	XR8017280NED	.2	104.25
Pewter	XR8017280LGM	.2	104.25
Sand	XR8036650ADX	.2	130.75
7 Armature, Knee Bolster			
To VIN L27264	XR8008934		38.45
From VIN L27265	XR8033404		29.20
8 Panel, Outer Fascia			
Charcoal	R XR8030745LEG	.2	61.30

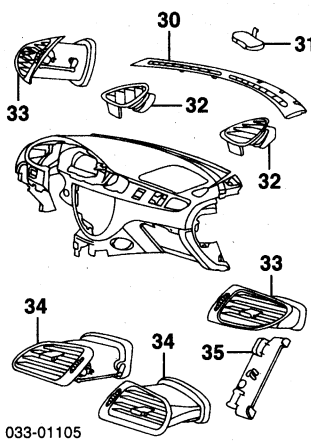
Granite	L XR8030746LEG	.2	61.30
	R XR8013376LGP	.2	54.60
	L XR8013377LGP	.2	61.80
Mink	R XR8013376AGN	.2	61.80
	L XR8013377AGN	.2	61.80
Sable	R XR8013376AEK	.2	62.10
	L XR8030746AEK	.2	61.30
9 Box, Storage			
Gray	XR8025739LGR		110.90
Mink	XR8025739AGN		110.90
Sable	XR8025739AEK		97.35
10 Holder, Telephone			
AMPS Telephone			
Gray			
To VIN L89999	XR8018543LGR		119.75
From VIN L90000	XR8025737LGR		201.90
Mink	XR8025737AGN		201.90
Sable			
To VIN L89999	XR8018453AEK		0.00
From VIN L90000	XR8025737AEK		201.90
GSM Telephone			
Gray	XR8018157LGR		214.25
Mink	XR8018157AGN		214.25
Sable	XR8018157AEK		214.25



11 Housing Assy, Ignition	XR8015757	m	.8 179.90
12 Switch, Ignition (a)	XR8015815	m	.3 33.85
13 Transceiver, Security (a)	C2C012637	m	d159.80
14 Cable, Interlock (a)	XR8011826	m	d51.95
<i>(a) Included w/Ignition Housing Assy</i>			
15 Bezel, Switch			
Charcoal	XR8039119LEG		3.85
Granite	XR8015815		3.85
Mink	XR8033139AGN		3.85
Sable	XR8039119AEK		3.85
16 Lock, Ignition	XR8013528	m	152.10
17 Bezel, Headlamp Switch			
Charcoal	XR8022539LEG		19.15
Granite			
To VIN L75822	XR8001442LGP		19.95
From VIN L75823	XR8022539LGP		19.15
Mink			
To VIN L75822	XR8001442AGN		19.95
From VIN L75823	XR8022539AGN		19.15
Sable			
To VIN L75822	XR8001442AEK		19.95
From VIN L52823	XR8022539AEK		19.15
18 Switch, Headlamp			
w/Fog Lamps	XR8002089		.3 75.40
w/o Fog Lamps	XR8002090		.3 d58.50
19 Bracket, Switch	XR8002435		4.90
20 Switch, Dimmer			
Charcoal	XR8001407LEG	.3	37.95
Granite	XR8001407LGP	.3	37.95
Mink	XR8001407AGN	.3	37.95
Sable	XR8001407AEK	.3	37.95
21 Switch, Trip/Hazard			
To VIN L52822	C2C024031	.3	93.70
From VIN L52823	C2C024031	.3	93.70
22 Finisher, Edge			
Gray	R XR8009742LGR		5.25
	L XR8009743LGR		5.25
Mink	R XR8009742AGN		5.25
	L XR8009743AGN		5.25
Sable	R XR8009742AEK		5.25
	L XR8009743AEK		5.25
23 Bezel, Lower			
w/Seat Heater			
Gray			
To VIN L10449	XR8001444LGR		9.05
From VIN L10450	XR8009910LGR		8.65
Mink	XR8009910AGN		8.65
Sable			
To VIN L10449	XR8001444AEK		9.05

JAGUAR S-TYPE 2000-05

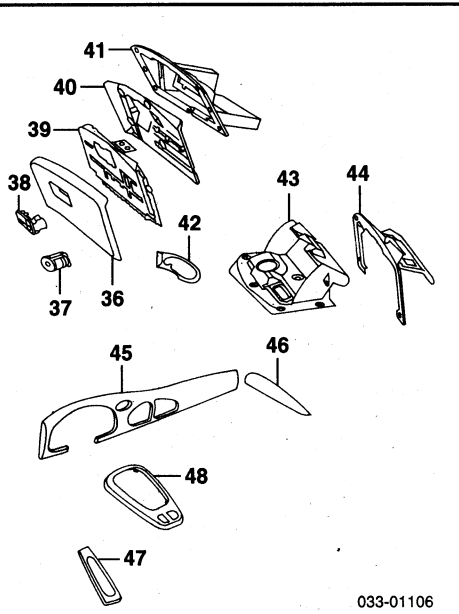
From VIN L10450	XR8009910AEK	8.65
w/o Seat Heater		
Gray	XR8001445LGR	9.05
Mink	XR8001445AGN	9.05
Sable	XR8001445AEK	9.05
24 Radio, AM-FM Cassette		
w/Premium Sound		
Gray	JLM021055LGR	.8 975.00
Mink	JLM021055AGN	.8 975.00
Sable	JLM021055AEK	.8 975.00
w/o Premium Sound		
Gray	JLM021056LGR	.8 975.00
Mink	JLM021056AGN	.8 1020.00
Sable	JLM021056AEK	.8 975.00
25 Display, Navigation-See Electrical Section		
26 Tray, Coin		
Gray	XR8018159LGR	46.20
Mink	XR8018159AGN	46.20
Sable	XR8018159AEK	46.20
27 Module, A/C Control		
Gray	XR803441800D	m .8 0.00
Mink	XR803441800D	m .8 0.00
Sable	XR803441700D	m .8 0.00
28 Switch, Seat Heater	R/L XR8002119-20	.2 25.80
29 Switch, Fuel Door/Trunk Release		
Almond		
w/ H/Lamp Leveling	XR8007453AGM	.2 54.20
w/o H/Lamp Leveling	XR8010110AGM	.2 34.45
Cashmere		
w/ H/Lamp Leveling	XR8010110SDZ	.2 34.45
w/o H/Lamp Leveling	XR8007453SDZ	.2 54.20
Charcoal		
w/ H/Lamp Leveling	XR8009937LEG	.2 51.15
w/o H/Lamp Leveling	XR8008255LEG	.2 33.50
Ivory		
w/ H/Lamp Leveling	XR8007453NED	.2 54.20
w/o H/Lamp Leveling	XR8010110NED	.2 34.45
Pewter		
w/ H/Lamp Leveling	XR8007453LGM	.2 54.20
w/o H/Lamp Leveling	XR8010110LGM	.2 26.75



30 Vent, Upper		
Charcoal	XR8015637LEG	216.45
Granite	XR8015637LGP	238.70
Mink	XR8015637AGN	209.95
Sable	XR8015637AEK	209.95
31 Plug, Vent	XR8002407	4.50
32 Vent, Outer Side		
Charcoal	R XR8013264LEG	.2 16.85
L	XR8013266LEG	.2 16.15
Granite	R XR8013264LGP	.2 16.05
L	XR8013266LGP	.2 16.05
Mink	R XR8013264AGN	.2 16.05
L	XR8013266AGN	.2 16.10
Sable	R XR8013264AEK	.2 16.85
L	XR8013266AEK	.2 16.85
33 Vent, Outer	R XR8023487	.2 108.25
L	XR8023485	.2 d108.25
34 Vent, Center	R/L XR8023483-4	.2 d108.25
35 Finisher, Edge	XR8006337	4.50

Illustration Located in Next Column

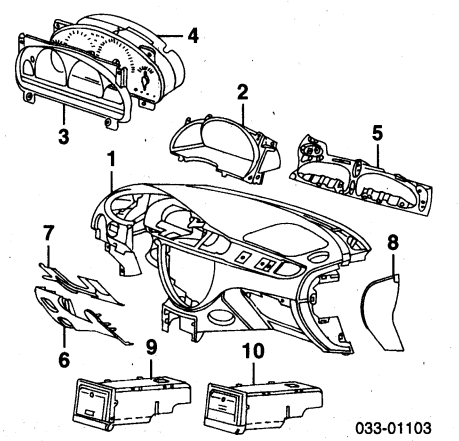
36 Door, Glove Box		
Almond	XR8002432AGM	.4 117.55
Charcoal	XR8002432LEG	.4 117.55
Cashmere	XR8002432SDZ	.4 117.55
Ivory	XR8002432NED	.4 117.55
Pewter	XR8002432LGM	.4 d121.25
Sable	XR8013529	.4 107.45
37 Lock, Glove Box	XR8014932AGM	.4 17.30
38 Latch, Glove Box		
Almond	XR8014932LEG	.4 32.35
Charcoal	XR8014932SDZ	.4 17.30
Cashmere	XR8014932NED	.4 17.30
Ivory	XR8014932LGM	.4 17.30
Pewter	XR8013149	.4 0.00
39 Hinge, Glove Box	XR8035598	.4 123.60
40 Finisher, Inner Glove Box	XR8019170	.4 37.15
41 Compartment, Glove Box		



42 Check, Lid	XR8009672	.4 7.25
43 Storage Bin, Glove Box	XR8002430	.4 85.15
#R&R Complete		
44 Insert, Glove Box	XR8002028	1.0 36.50
45 Finisher, Instrument Panel	XR8027777	1.0 150.70
46 Finisher, Upper Door Panel	R XR8025129	84.40
	L XR8026497	84.40
47 Finisher, Armrest		
Right (Front/Rear)	XR8033606	97.10
Left (Front/Rear)	XR8033608	97.10
48 Finisher, Console		
Man Trans	XR8027781	132.40
Auto Trans		
w/Sport Level Trim	XR8033604	115.10
w/o Sport Level Trim	XR8033611	.4 118.30
<i>Maple/Gray listed, Order by Application</i>		

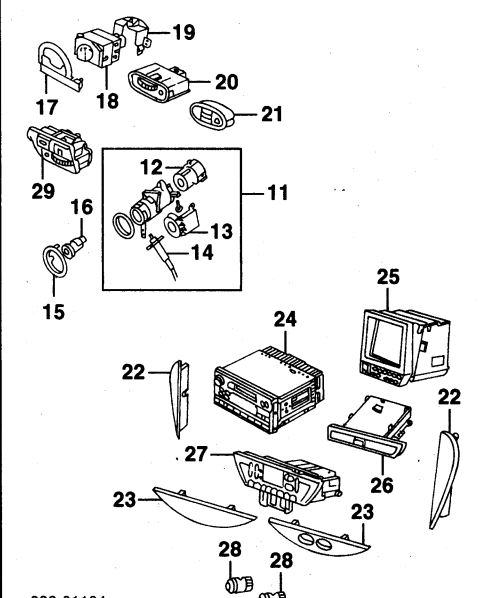
2003-05

R&I Instrument Panel Assy m 5.0
NOTE: All Parts in this section are included in R&I Instrument Panel unless noted otherwise.



1 Panel, Instrument		
w/Supercharger		
Charcoal/Gray	03 XR8042642LEG	m 8.0 1020.00
	04-05 XR8050745LEG	m 8.0 1050.00
Charcoal/Dove		
To VIN N18676	XR8042642LEY	m 8.0 1020.00
From VIN N18677	XR8050745LHN	m 8.0 1050.00
Charcoal/Ivory	XR8042642LJG	m 8.0 1020.00
Charcoal/Sand	XR8042642LHP	m 8.0 1020.00
Granite/Dove	XR8042642LHH	m 8.0 1020.00
Sable/Ivory	XR8042642AES	m 8.0 1020.00
Sable/Sand	XR8042642ADZ	m 8.0 1020.00
w/o Supercharger		
Charcoal/Champagne	XR8048183LJG	m 8.0 930.00
Charcoal/Gray	03 XR8042619LEG	m 8.0 1020.00
	04-05 XR8048183LEG	m 8.0 930.00
Charcoal/Ivory	XR8042619AES	m 8.0 1020.00
Charcoal/Sand	XR8042619LHP	m 8.0 1020.00
Granite	XR8048183LGP	m 8.0 930.00
Granite/Dove	03 XR8042619LHH	m 8.0 1020.00
	04-05 XR8048183LHH	m 8.0 930.00
Mocha/Champagne	XR8048183AMC	m 8.0 930.00
Mocha/Ivory	XR8048183AMD	m 8.0 930.00

Sable/Ivory	XR8042619AES	m 8.0 1020.00
Sable/Sand	XR8042619ADZ	m 8.0 1020.00
2 Housing, Instrument	XR8049559	68.10
3 Lens, Cluster	XR8003145	61.05
4 Cluster, Instrument		
MPH/KPH	XR8014259	m .9 0.00
KPH/MPH	XR8014260	m .9 0.00
<i>Order by Application</i>		
5 Mounting, Instrument Cluster	XR8030022	d8.15
6 Bolster, Knee		
Almond	XR8017280AGM	.2 104.25
Cashmere	XR8017280SDZ	.2 104.25
Champagne	XR8036650SEL	.2 118.55
Charcoal	XR8036650LEG	.2 130.75
Dove	XR8036650LHJ	.2 130.75
Granite	XR8036650LGP	.2 118.55
Ivory	XR8036650NED	.2 130.75
Pewter	XR8013373LGM	.2 98.15
Sand	XR8036650ADX	.2 130.75
Sable	XR8018617	d28.35
7 Armature, Knee Bolster		
8 Panel, Outer Fascia		
Charcoal	03 R XR8030746LEG	.2 61.30
	L XR8030746LEG	.2 61.30
	04-05 R XR8045713LEG	.2 60.00
	L XR8045714LEG	.2 60.00
Granite	03 R XR8030745LGP	.2 61.30
	L XR8030746LGP	.2 61.30
	04-05 R XR8045713LGP	.2 60.00
	L XR8045714LGP	.2 60.00
Mink	R XR8013376AGN	.2 61.80
	R XR8013377AGN	.2 61.80
Sable	03 R XR8030745AEK	.2 61.30
	L XR8030746AEK	.2 61.30
	04-05 R XR8045713AEK	.2 d58.25
	L XR8045714AEK	.2 d58.25
9 Box, Storage	XR8039126	36.10
10 Holder, Telephone		
AMPS Telephone		
Gray	XR8025737LGR	201.90
Mink	XR8025737AGN	201.90
Sable	XR8025737AEK	201.90
GSM Telephone		
Gray	XR8018157LGR	214.25
Mink	XR8018157AGN	214.25
Sable	XR8018157AEK	214.25



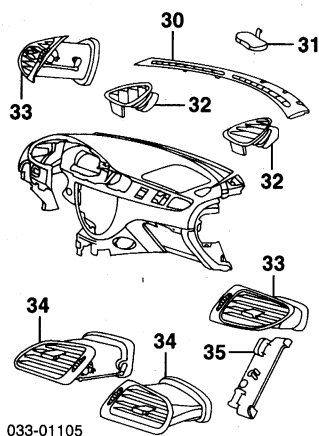
11 Housing Assy, Ignition		
Man Trans	XR8015757	m .8 179.90
Auto Trans	XR8029678	m .8 164.50
	XR8018724	m .8 183.60
12 Switch, Ignition (a)	XR8015815	m 33.85
13 Transceiver, Security (a)	C2C012637	m d159.80
14 Cable, Interlock (a)	XR8011826	m d51.95
<i>(a) Included w/Ignition Housing Assy</i>		
15 Bezel, Switch		
Charcoal	XR8039119LEG	3.85
Granite	XR8039119LGP	3.85
Mink	XR8033139AGN	3.85
Sable	XR8039119AEK	3.85
16 Lock, Ignition	XR8013528	m 152.10
17 Bezel, Headlamp Switch		
Charcoal	XR8022539LEG	19.15
Granite	XR8022539LGP	19.15
Mink	XR8022539AGN	19.15
Sable	XR8022539AEK	19.15
18 Switch, Headlamp		
w/Fog Lamps	XR8002089	.3 75.40
w/o Fog Lamps	XR8002090	.3 d58.50
19 Bracket, Switch	XR8002435	4.90
20 Switch, Dimmer		
Charcoal	XR8001407LEG	.3 37.95
Granite	XR8001407LGP	.3 37.95
Mink	XR8001407AGN	.3 37.95
Sable	XR8001407AEK	.3 37.95
21 Switch, Trip/Hazard	C2C024031	93.70

JAGUAR S-TYPE 2000-05

INSTRUMENT PANEL Cont'd

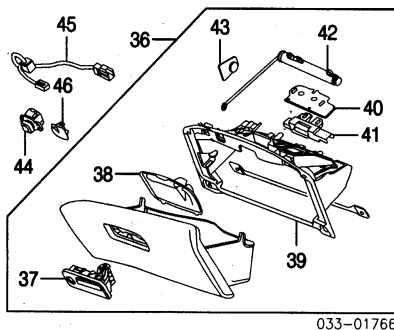
2003-05 Cont'd

22 Finisher, Edge				
Gray	R XR8009742LGR		5.25	
	L XR8009743LGR		5.25	
Mink	R XR8009742AGN		5.25	
	L XR8009743AGN		5.25	
Sable	R XR8009742AEK		5.25	
	L XR8009743AEK		5.25	
23 Bezel, Lower				
w/Seat Heater				
Gray	XR8009910LGR		8.65	
Mink	XR8009910AGN		8.65	
Sable	XR8009910AEK		8.65	
w/o Seat Heater				
Gray	XR8001445LGR		9.05	
Mink	XR8001445AGN		9.05	
Sable	XR8001445AEK		9.05	
24 Radio, AM-FM Cassette				
w/Premium Sound				
Gray	JLM021055LGR	.8	975.00	
Mink	JLM021055AGN	.8	975.00	
Sable	JLM021055AEK	.8	975.00	
w/o Premium Sound				
Gray	JLM021056LGR	.8	975.00	
Mink	JLM021056AGN	.8	1020.00	
Sable	JLM021056AEK	.8	975.00	
25 Display, Navigation-See Electrical Section				
26 Tray, Coin				
Gray	XR8018159LGR		46.20	
Mink	XR8018159AGN		46.20	
Sable	XR8018159AEK		46.20	
27 Module, A/C Control				
Gray	XR803441800D	m .8	0.00	
Mink	XR803441600D	m .8	0.00	
Sable	XR803441700D	m .8	0.00	
28 Switch, Seat Heater	R/L XR8002119-20	.2	25.80	
29 Switch, Fuel Door/Trunk Release				
Almond				
w/ H/Lamp Leveling	XR8007453AGM	.2	54.20	
w/o H/Lamp Leveling	XR8010110AGM	.2	34.45	
Cashmere				
w/ H/Lamp Leveling	XR8010110SDZ	.2	34.45	
w/o H/Lamp Leveling	XR8007453SDZ	.2	54.20	
Charcoal				
w/ H/Lamp Leveling	XR8009937LEG	.2	51.15	
w/o H/Lamp Leveling	XR8008255LEG	.2	33.50	
Ivory				
w/ H/Lamp Leveling	XR8007453NED	.2	54.20	
w/o H/Lamp Leveling	XR8010110NED	.2	34.45	
Pewter				
w/ H/Lamp Leveling	XR8007453LGM	.2	54.20	
w/o H/Lamp Leveling	XR8010110LGM	.2	26.75	



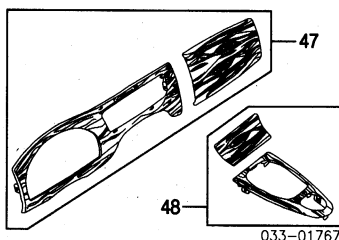
033-01105

30 Vent, Upper				
Charcoal	XR8015637LEG		216.45	
Granite	XR8015637LGP		238.70	
Mink	XR8015637AGN		209.95	
Sable	XR8015637AEK		209.95	
31 Plug, Vent	XR8002407		4.50	
32 Vent, Outer Side				
Charcoal	R XR8013264LEG	.2	16.85	
	L XR8013266LEG	.2	16.15	
Granite	R XR8013264LGP	.2	16.05	
	L XR8013266LGP	.2	16.05	
Mink	R XR8013264AGN	.2	16.05	
	L XR8013266AGN	.2	16.10	
Sable	R XR8013264AEK	.2	16.85	
	L XR8013266AEK	.2	16.85	
33 Vent, Outer	R XR8023487	.2	108.25	
	L XR8023485	.2	d108.25	
34 Vent, Center	R/L XR8023483-4	.2	d108.25	
35 Finisher, Edge	XR8006337		4.50	



033-01766

36 Box Assy, Glove				
Charcoal				
To VIN N23493	XR8051867LEG	#.4	334.00	
From VIN N23494	XR8051867LEG	#.4	334.00	
Champagne				
To VIN N23493	XR8051867SEL	#.4	334.00	
From VIN N23494	XR8051867SEL	#.4	334.00	
Dove				
To VIN N23493	XR8051867LHJ	#.4	334.00	
From VIN N23494	XR8051867LHJ	#.4	334.00	
Ivory				
To VIN N23493	XR8051867NED	#.4	334.00	
From VIN N23494	XR8051867NED	#.4	334.00	
#R&R Complete				
37 Latch, Door				
Charcoal				
To VIN M62935	XR8038361LEG		30.35	
From VIN M62936	XR8045402LEG		206.75	
Champagne	XR8045402SEL		206.75	
Dove				
To VIN M62935	XR8038361LHJ		30.35	
From VIN M62936	XR8045402LHJ		206.75	
Granite	XR8045402LGP		206.75	
Ivory				
To VIN M62935	XR8038361NED		30.35	
From VIN N23494	XR8045402NED		206.75	
Sand	XR8038361ADX		30.35	
38 Cover, Latch (b)	XR8034413		28.95	
39 Compartment, Glove Box (b)	XR8045404		33.35	
40 Plate, Striker (b)	XR8038365		2.75	
41 Lamp, Glove Box (b)	XR8013341		22.95	
42 Damper (b)	03 XR8031931		0.00	
	04-05 XR8042071		9.95	
	XR8008878		3.40	
43 Hook, Box (b)				
(b) Included w/Glove Box Assy				
44 Switch, Security	XR8002113		33.50	
Harness, Wiring				
w/Valet Switch	XR8041775		14.15	
w/o Valet Switch	XR8041776		28.20	
46 Cover, Switch Opening	XR8045403		29.45	



033-01767

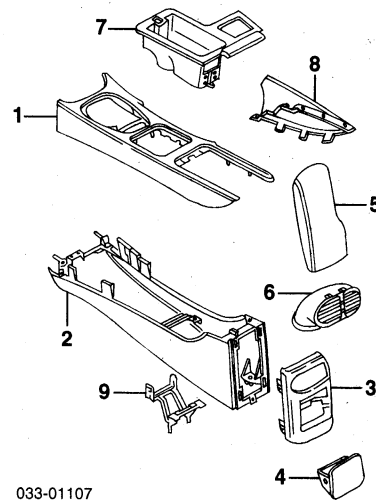
47 Finisher, Instrument Panel	03 XR8037604		405.00	
	04-05 XR8044891		d395.00	
48 Finisher, Console				
Man Trans	XR8049030LEG		670.00	
Auto Trans	XR8049025		670.00	
	#Maple/Gray listed, Order by Application			

CENTER CONSOLE

Use Procedure Explanation 14 with the following text.

TO VIN M45254

R&I Center Console Assy			.4	
Illustration Located in Next Column				
1 Console, Upper Center	XR8015742LEG	#.6	141.00	
2 Console, Lower Center				
To VIN L28055	XR8015677LEG	#.6	261.00	
From VIN L28056 to VIN M22099	XR8016756LEG	#.6	253.00	
From VIN M22100 to VIN M45254	XR8027719LEG	#.6	233.80	
#R&R Complete				
3 Console, Rear Center	XR8009246LEG	.2	77.75	
4 Box, Storage	XR8009250LEG		35.00	
5 Lid, Console	XR8002342LEG	.2	196.45	
	#Charcoal listed, Order by Application			

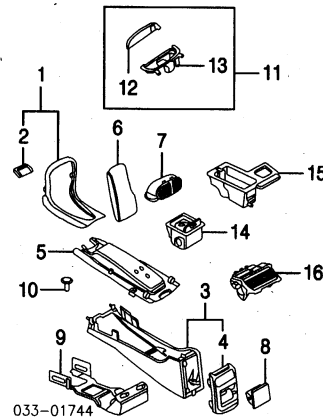


033-01107

6 Vent, Console	XR8009245		45.20	
7 Box, Center Console				
To VIN L28055	XR8016757		38.80	
From VIN L28056 to VIN M45254	XR8016758		38.80	
8 Finisher, Hand Brake	XR8015741LEG		79.60	
	#Charcoal listed, Order by Application			
9 Bracket, Console	XR8002393	#.1	10.90	
	#w/Console Assy Removed			
Finisher, Console-See Instrument Panel Section				

FROM VIN M45255

R&I Center Console Assy		.4	
-------------------------	--	----	--



033-01744

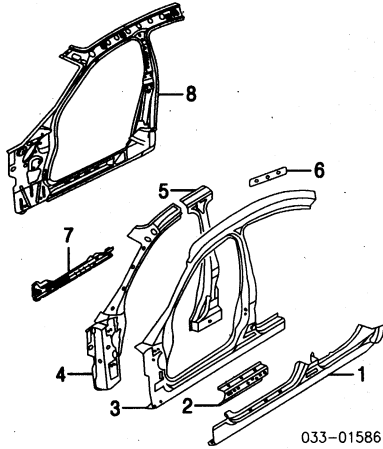
1 Panel Assy, Front Console	XR8039118LEG		348.00	
	#Charcoal listed, Order by Application			
2 Clip, Panel (a) (b)	XR8034498		1.30	
	(a) Included w/Front Console Panel Assy			
	(b) As Required			
3 Console Assy				
w/End Cap	XR8049475LEG	#.6	390.00	
w/o End Cap	XR8049476LEG	#.6	390.00	
#R&R Complete				
4 Bezel, Vent (c)	XR8051746LEG		178.75	
	#Charcoal listed, Order by Application			
	(c) Included w/Console Assy			
5 Liner, Console	C2C018468		44.60	
6 Lid, Console	XR8048247LEG	.2	655.00	
7 Vent, Console	XR8044731		115.45	
8 Box, Storage	XR8034475LEG		39.20	
	#Order by Application			
9 Bracket, Mounting	XR8026056	#.1	17.25	
	#w/Center Console Removed			
10 Bumper, Rubber (2)	XR8030920		16.80	
11 Ashtray Assy	XR8015678LEG		61.05	
12 Lid, Ashtray (d)	XR8053090LEG		67.50	
	#Charcoal listed, Order by Application			
13 Housing, Ashtray (d)	XR8053089		9.70	
	(d) Included w/Ashtray Assy			
14 Holder, Cup	XR8009232LEG		45.20	
15 Console, Upper	XR8037755		d142.40	
	#Order by Application			
16 Ashtray Finisher, Console-See Instrument Panel Section	XR8052170		53.05	

ROCKER/PILLARS/FLOOR

Use Procedure Explanations 14, 15 and 28 with the following text.

SHEET METAL

Refinish Rocker Panel Outside.....	R/L	1.4
Refinish Side Body Panel.....	R/L	3.0
Refinish Hinge Pillar.....	R/L	1.0
Refinish Center Pillar.....	R/L	1.0
Section Hinge Pillar.....	R/L	9.0
Section Center Pillar.....	R/L	6.0

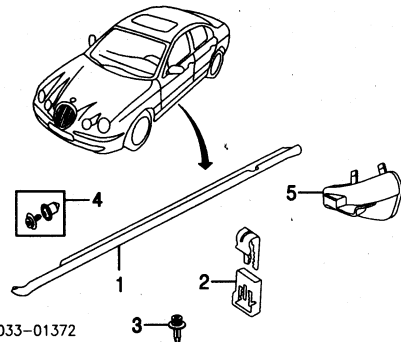


033-01586

1 Panel, Outer Rocker	00-03 R/L	XR8031784-5	\$ #8.0	353.00
	04-05 R/L	XR8047911-2	\$ #8.0	110.50
<i>#Deduct 1.5 w/Quarter Panel Removed</i>				
2 Reinf, Outer Rocker Panel	04-02 R/L	XR8028189-90	\$ 1.5	30.75
	03-05 R	XR8027766	\$ 1.5	32.75
	L	XR8027767	\$ 1.5	32.05
3 Panel, Side Body	00-03 R	XR8031786	\$ 19.5	1240.00
	L	XR8031787	\$ 19.5	1060.00
	04-05 R/L	XR8047919-20	\$ 19.5	775.00
4 Reinf, Pillar				
2000-02				
To VIN L52822	R/L	JLM021421-2	\$ 3.5	473.00
From VIN L52823	R/L	XR8026929-30	\$ 3.5	473.00
2003-05	R/L	XR8026706-7	\$ 3.5	294.00
5 Reinf, Center Pillar	00-02 R/L	XR8026931-2	\$ 2.5	235.95
	03-05 R/L	XR8028690-1	\$ 2.5	223.55
6 Bracket, Retaining	R/L	XR8032358	\$ 2.00	
7 Panel, Sill	00-02 R	XR8047367	\$ 2.5	295.00
	L	XR8041122	\$ 2.5	325.00
	03-04 R	XR8047367	\$ 2.5	295.00
	L	XR8041122	\$ 2.5	325.00
	05 R	XR8047367	\$ 2.5	295.00
	L	XR8041503	\$ 2.5	325.00
Panel, Floor-Not Serviced				
8 Panel, Door Opening				
To VIN M45254	R	XR8026414	\$ 13.5	165.10
	L	XR8026928	\$ 13.5	165.10
From VIN M45255	R	XR8029314	\$ 13.5	157.20
	L	XR8029316	\$ 13.5	157.20

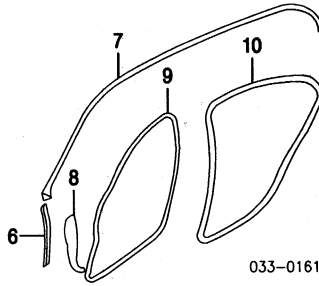
EXTERIOR TRIM

Refinish Rocker Moulding.....	R/L	1.0
R&L Rocker Moulding.....	R/L	.5



033-01372

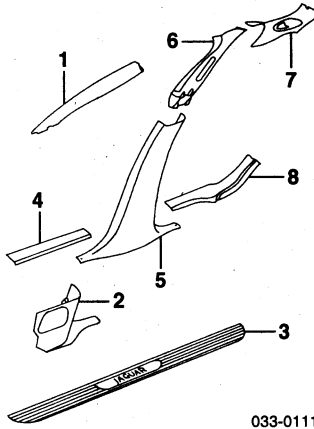
1 Moulding, Rocker (P)				
w/Supercharger				
To VIN N13088	R	XR8025718XXX	.5	241.35
	L	XR8025719XXX	.5	241.35
From VIN N13089	R	XR8037444XXX	.5	234.35
	L	XR8037445XXX	.5	234.35
w/o Supercharger	R	XR8018370XXX	.5	247.90
	L	XR8018371XXX	.5	247.90
<i>(P) Paint to Match</i>				
2 Clip, Moulding (2/Side)		XR8010823		.95
3 Rivet, Rocker Moulding (2/Side)	R/L	C25009354		.55
4 Retainer, Rocker Moulding (5)		C2C008963		1.05
5 Spoiler, Wheelarch	R	XR8010616		47.40
	L	XR8010617		45.35



033-01611

6 Seal, Pillar	R/L	XR8002530-1	.1	32.35
7 Weatherstrip, Roof Rail	R/L	XR8018899-900	.4	84.75
8 Cover, Trim	00-02 R	XR8008502	.1	21.60
	L	XR8008503	.1	20.95
	03-05 R/L	XR8032221-2	.1	16.35
9 Weatherstrip, Front Door Opening				
On Body	R/L	XR8045063-4	.5	86.90
10 Weatherstrip, Rear Door Opening				
On Body	R/L	XR8045065-6	.5	86.90

INTERIOR TRIM



033-01110

1 Mldg, Inside Garnish-See Windshield Section				
2 Panel, Lower Pillar	R	XR8001395LEG	.2	39.80
	L	XR8001401LEG	.2	28.10
<i>†Charcoal listed, Order by Application</i>				
3 Plate, Sill Scuff	R/L	XR8049746	.2	55.15
4 Plate, Inner Sill	R/L	XR8001453LEG		13.05
Panel, Center Pillar				
5 Lower	R	XR8001440LEG	.3	83.05
	L	XR8001441LEG	.3	83.05
6 Upper (a)	R	XR8014118LFJ	.4	103.75
	L	XR8014120LFJ	.4	103.75
<i>†Charcoal listed, Order by Application</i>				
7 Panel, Rear (a)	00-02 R	XR8017795LFJ	.3	84.40
	L	XR8017796LFJ	.3	84.40
	03-05 R	XR8043122LFJ	.3	69.80
	L	XR8043123LFJ	.3	93.15
<i>(a) Gray listed, Order by Application</i>				
8 Plate, Rear Sill Scuff				
To VIN M45254	R	XR8047375LEG	.2	26.85
	L	XR8011417LEG	.2	28.50
From VIN M45255	R	XR8047375LEG	.2	26.85
	L	XR8047376LEG	.2	26.85
<i>†Charcoal listed, Order by Application</i>				

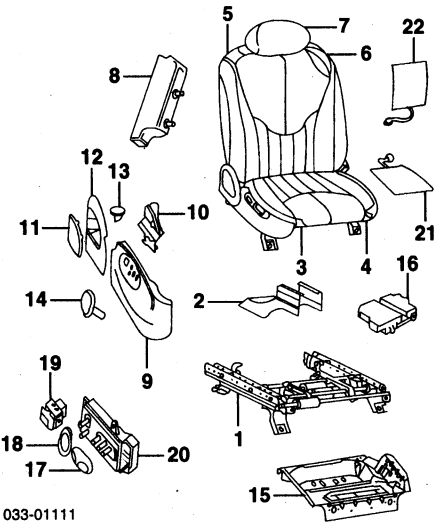
FRONT SEAT

Use Procedure Explanation 30 with the following text.

R&L Front Seat Assy.....	R/L	.6
--------------------------	-----	----

Illustration Located in Next Column

1 Track, Adjuster Seat				
w/Memory				
2000-02				
Passenger Side	XR8016374	.9	1170.00	
Driver Side	XR8016376	.9	1050.00	
2003-05				
6-Way				
Passenger Side	XR8038252	.9	1110.00	
Driver Side	XR8041387	.9	d955.00	
8-Way				
Passenger Side	XR8038253	.9	1525.00	
Driver Side	XR8038257	.9	1525.00	
w/o Memory				
Passenger Side	XR8016373	.9	1050.00	
Driver Side	XR8016375	.9	1170.00	



033-01111

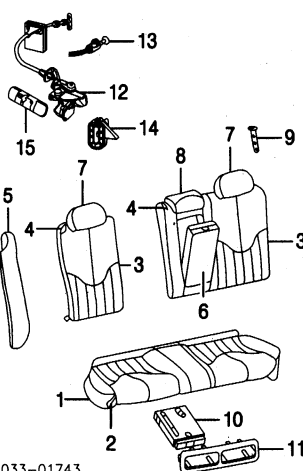
2 Cover, Track				
Inner				
Passenger Side				
Charcoal	XR8007471LEG		19.55	
Granite	XR8007471LGP		19.55	
Sable	XR8007471AEK		19.55	
Driver Side				
Charcoal	XR8007471LEG		19.55	
Granite	XR8007471LGP		19.55	
Sable	XR8007471AEK		19.55	
Outer				
Passenger Side				
Charcoal	XR8007470LEG		19.55	
Granite	XR8007470LGP		19.55	
Sable	XR8007470AEK		19.55	
Driver Side				
Charcoal	XR8007470LEG		19.55	
Granite	XR8007470LGP		19.55	
Sable	XR8007470AEK		19.55	
3 Cover, Lower Seat				
Cloth				
Passenger Side				
Almond	XR8010911AGM	#1.2	575.00	
Cashmere	XR8010911SDZ	#1.2	575.00	
Charcoal	XR8010911LEG	#1.2	575.00	
Ivory	N.A.	#1.2	0.00	
Pewter	XR8010911LGM	#1.2	515.00	
Driver Side				
Almond	XR8015353AGM	#1.2	620.00	
Cashmere	XR8015353SDZ	#1.2	620.00	
Charcoal	XR8015353LEG	#1.2	620.00	
Ivory	N.A.	#1.2	0.00	
Pewter	XR8015353LGM	#1.2	620.00	
Leather				
Classic Pkg				
To VIN L27057				
Passenger Side				
Almond	XR8015144AGM	#1.2	660.00	
Cashmere	XR8015144SDZ	#1.2	660.00	
Charcoal	XR8015144LEG	#1.2	489.00	
Ivory	XR8015144NED	#1.2	660.00	
Pewter	XR8015144LGM	#1.2	660.00	
Driver Side				
Almond	XR8015150AGM	#1.2	660.00	
Cashmere	XR8015150SDZ	#1.2	660.00	
Charcoal	XR8015150LEG	#1.2	660.00	
Ivory	XR8015150NED	#1.2	640.00	
Pewter	XR8015150LGM	#1.2	660.00	
From VIN L27058				
Passenger Side				
Almond	XR8015982AGM	#1.2	640.00	
Cashmere	XR8015982SDZ	#1.2	640.00	
Charcoal	XR8015982LEG	#1.2	640.00	
Ivory	XR8015982NED	#1.2	640.00	
Pewter	XR8015982LGM	#1.2	640.00	
Driver Side				
Almond	XR8015984AGM	#1.2	660.00	
Cashmere	XR8015984SDZ	#1.2	660.00	
Charcoal	XR8015984LEG	#1.2	660.00	
Ivory	XR8015984NED	#1.2	640.00	
Pewter	XR8015984LGM	#1.2	660.00	
Sport Pkg				
Passenger Side				
Almond	XR8015146AGM	#1.2	660.00	
Cashmere	XR8015146SDZ	#1.2	660.00	
Charcoal	XR8015146LEG	#1.2	660.00	
Ivory	XR8015146NED	#1.2	660.00	
Pewter	XR8015146LGM	#1.2	660.00	
Driver Side				
Almond	XR8015152AGM	#1.2	660.00	
Cashmere	XR8015152SDZ	#1.2	660.00	
Charcoal	XR8015152LEG	#1.2	660.00	
Ivory	XR8015152NED	#1.2	660.00	
Pewter	XR8015152LGM	#1.2	660.00	
<i>†Order by Application</i>				
4 Cushion, Lower Seat				
Classic Pkg				
To VIN L27057				
Passenger Side	XR8015252	#1.2	90.95	

JAGUAR S-TYPE 2000-05

FRONT SEAT Cont'd

Driver Side	XR8018263	#1.2	86.10	Driver Side	XR8015167AGM	438.00	14	Pewter	XR8010936LGM	2.35
From VIN L27058				Almond	XR8015167SDZ	438.00		Plug, Panel		
Passenger Side	XR8018263	#1.2	91.25	Cashmere	XR8015167LEG	438.00		Passenger Side		
Driver Side	XR8018263	#1.2	86.10	Charcoal	XR8015167NED	438.00		Almond	XR8010927AGM	9.55
Sport Pkg				Ivory	XR8015167LGM	438.00		Cashmere	XR8010927SDZ	9.55
Passenger Side	XR8015253	#1.2	90.95	Pewter				Charcoal	XR8010927LEG	9.55
Driver Side	XR8015255	#1.2	90.95	From VIN L27058				Ivory	XR8010927NED	9.55
#R&R One Side Complete, w/Seat Assy Removed				Passenger Side				Pewter	XR8010927LGM	9.55
5 Cover, Seat Back				Almond	XR8017874AGM	475.00		Driver Side		
Cloth				Cashmere	XR8017874SDZ	475.00		Almond	XR8010927AGM	9.55
Passenger Side				Charcoal	XR8017874LEG	580.00		Cashmere	XR8010927SDZ	9.55
Almond	XR8015170AGM	#1.2	660.00	Ivory	XR8017874NED	580.00		Charcoal	XR8010927LEG	9.55
Cashmere	XR8015170SDZ	#1.2	660.00	Pewter	XR8017874LGM	475.00		Ivory	XR8010927NED	9.55
Charcoal	XR8015170LEG	#1.2	660.00	Driver Side				Pewter	XR8010927LGM	9.55
Ivory	N.A.	#1.2	0.00	Almond	XR8017874AGM	475.00		}Order by Application		
Pewter	XR8015170LGM	#1.2	660.00	Cashmere	XR8017874SDZ	475.00		15 Pan, Seat		
Driver Side				Charcoal	XR8017874LEG	580.00		Passenger Side	XR8030728	160.75
Almond	XR8015176AGM	#1.2	660.00	Ivory	XR8017874NED	580.00		Driver Side	XR8030729	160.75
Cashmere	XR8015176SDZ	#1.2	660.00	Pewter	XR8017874LGM	475.00		16 Module, Seat Control	XR8018821	#6 181.00
Charcoal	XR8015176LEG	#1.2	660.00	Sport Pkg				#w/Front Seat Assy Removed		
Ivory	N.A.	#1.2	0.00	To VIN L27057				17 Knob, Seat Control		
Pewter	XR8015176LGM	#1.2	660.00	Passenger Side				Passenger Side		
Leather				Almond	XR8015168AGM	438.00		Almond	XR8009877AGM	33.20
Classic Pkg				Cashmere	XR8015168SDZ	438.00		Cashmere	XR8009877SDZ	33.20
To VIN L27057				Charcoal	XR8015168LEG	438.00		Charcoal	XR8009877LEG	33.20
Passenger Side				Ivory	XR8015168NED	438.00		Ivory	XR8009877NED	33.20
Almond	XR8015172AGM	#1.2	685.00	Pewter	XR8015168LGM	438.00		Pewter	XR8009877LGM	d15.15
Cashmere	XR8015172SDZ	#1.2	685.00	Driver Side				Driver Side		
Charcoal	XR8015172LEG	#1.2	685.00	Almond	XR8015168AGM	438.00		Almond	XR8009877AGM	33.20
Ivory	XR8015172NED	#1.2	685.00	Cashmere	XR8015168SDZ	438.00		Cashmere	XR8009877SDZ	33.20
Pewter	XR8015172LGM	#1.2	685.00	Charcoal	XR8015168LEG	438.00		Charcoal	XR8009877LEG	33.20
Driver Side				Ivory	XR8015168NED	438.00		Ivory	XR8009877NED	33.20
Almond	XR8015178AGM	#1.2	665.00	Pewter	XR8015168LGM	438.00		Pewter	XR8009877LGM	d15.15
Cashmere	XR8015178SDZ	#1.2	685.00	From VIN L27058				Driver Side		
Charcoal	XR8015178LEG	#1.2	685.00	Passenger Side				Almond	XR8009878AGM	29.25
Ivory	XR8015178NED	#1.2	665.00	Almond	XR8017875AGM	475.00		Cashmere	XR8009878SDZ	29.25
Pewter	XR8015178LGM	#1.2	685.00	Cashmere	XR8017875SDZ	475.00		Charcoal	XR8009878LEG	29.25
From VIN L27058				Charcoal	XR8017875LEG	580.00		Ivory	XR8009878NED	29.25
Passenger Side				Ivory	XR8017875NED	580.00		Pewter	XR8009878LGM	39.50
Almond	XR8016001AGM	#1.2	1290.00	Pewter	XR8017875LGM	475.00		Driver Side		
Cashmere	XR8016001SDZ	#1.2	1290.00	Driver Side				Almond	XR8009878AGM	29.25
Charcoal	XR8016001LEG	#1.2	1290.00	Almond	XR8017875AGM	475.00		Cashmere	XR8009878SDZ	29.25
Ivory	XR8016001NED	#1.2	1290.00	Cashmere	XR8017875SDZ	475.00		Charcoal	XR8009878LEG	29.25
Pewter	XR8016001LGM	#1.2	1290.00	Charcoal	XR8017875LEG	580.00		Ivory	XR8009878NED	29.25
Driver Side				Ivory	XR8017875NED	580.00		Pewter	XR8009878LGM	39.50
Almond	XR8016003AGM	#1.2	1290.00	Pewter	XR8017875LGM	475.00		}Order by Application		
Cashmere	XR8016003SDZ	#1.2	1290.00	8 Module, Side Air Bag-See Air Bag System Section						
Charcoal	XR8016003LEG	#1.2	1290.00	9 Panel, Switch						
Ivory	XR8016003NED	#1.2	1290.00	Passenger Side				Passenger Side		
Pewter	XR8016003LGM	#1.2	1290.00	Almond	XR8013583AGM	134.50		Almond	XR8001411AGM	#4 25.95
Sport Pkg				Cashmere	XR8013583SDZ	134.50		Cashmere	XR8001411SDZ	#4 25.95
Passenger Side				Charcoal	XR8013583LEG	125.15		Charcoal	XR8001411LEG	#4 25.95
Almond	XR8015173AGM	#1.2	685.00	Ivory	XR8013583NED	134.50		Ivory	XR8001411NED	#4 25.95
Cashmere	XR8015173SDZ	#1.2	685.00	Pewter	XR8013583LGM	115.90		Pewter	XR8001411LGM	#4 25.95
Charcoal	XR8015173LEG	#1.2	685.00	Driver Side				Driver Side		
Ivory	XR8015173NED	#1.2	685.00	Almond	XR8013584AGM	134.50		Almond	XR8001411AGM	#4 25.95
Pewter	XR8015173LGM	#1.2	685.00	Cashmere	XR8013584SDZ	134.50		Cashmere	XR8001411SDZ	#4 25.95
Driver Side				Charcoal	XR8013584LEG	134.50		Charcoal	XR8001411LEG	#4 25.95
Almond	XR8015179AGM	#1.2	685.00	Ivory	XR8013584NED	134.50		Ivory	XR8001411NED	#4 25.95
Cashmere	XR8015179SDZ	#1.2	685.00	Pewter	XR8013584LGM	113.85		Pewter	XR8001411LGM	#4 25.95
Charcoal	XR8015179LEG	#1.2	685.00	}Order by Application						
Ivory	XR8015179NED	#1.2	685.00	10 Finisher, Switch Panel						
Pewter	XR8015179LGM	#1.2	685.00	Passenger Side				Passenger Side		
}Order by Application				Almond	XR8010934AGM	11.75		Passenger Side	XR8002116	#4 128.20
6 Cushion, Seat Back				Cashmere	XR8010934SDZ	11.75		Driver Side	XR8002118	#4 128.20
Classic Pkg				Charcoal	XR8010934LEG	11.30		#R&R One Side Complete, w/Front Seat Assy Removed		
Passenger Side	XR8030599	#1.2	153.75	Ivory	XR8010934NED	11.75		21 Heater, Lower Seat		
Driver Side	XR8030600	#1.2	299.00	Pewter	XR8010934LGM	10.05		Passenger Side	XR8030598	#1.2 81.80
Sport Pkg				Driver Side				Driver Side	XR8030598	#1.2 81.80
Passenger Side	XR8015357	#1.2	172.65	Almond	XR8010935AGM	11.75		#Included in R&R Seat Cushion Cover, w/Front Seat Assy Removed		
Driver Side	XR8015359	#1.2	172.65	Cashmere	XR8010935SDZ	11.75		22 Heater, Seat Back		
#R&R One Side Complete, w/Front Seat Assy Removed				Charcoal	XR8010935LEG	11.75		Passenger Side	XR8015244	#1.2 61.45
7 Headrest				Ivory	XR8010935NED	11.75		Driver Side	XR8015244	#1.2 61.45
Cloth				Pewter	XR8010935LGM	10.90		#Included in R&R Seat Back Cover, w/Seat Back Cushion Removed		
To VIN L27057				Passenger Side				REAR SEAT		
Passenger Side				Almond	XR8001399AGM	50.35		<i>Use Procedure Explanation 30 with the following text.</i>		
Almond	XR8015166AGM	412.00		Cashmere	XR8001399SDZ	50.35		R&I Rear Seat Assy		#1.0
Cashmere	XR8015166SDZ	412.00		Charcoal	XR8001399LEG	50.35		#Includes R&I Center Armrest		
Charcoal	XR8015166LEG	412.00		Ivory	XR8001399NED	50.35		R&I Seat Cushion		.3
Ivory	N.A.	0.00		Pewter	XR8001399LGM	50.35		R&I Seat Back		.7
Pewter	XR8015166LGM	412.00		Driver Side				<i>Illustration Located in Next Column</i>		
Driver Side				Almond	XR8001400AGM	50.35		1 Cushion, Lower Seat		
Almond	XR8015166AGM	412.00		Cashmere	XR8001400SDZ	50.35		To VIN M45254		
Cashmere	XR8015166SDZ	412.00		Charcoal	XR8001400LEG	50.35		w/Cup Holder		
Charcoal	XR8015166LEG	412.00		Ivory	XR8001400NED	50.35		Almond	XR8027858AGM	.3 1950.00
Ivory	N.A.	0.00		Pewter	XR8001400LGM	50.35		Cashmere	XR8027858SDZ	.3 1950.00
Pewter	XR8015166LGM	412.00		Driver Side				Charcoal	XR8027858LEG	.3 1950.00
From VIN L27058				Almond	XR8013007AGM	19.30		Ivory	XR8027858NED	.3 d1875.00
Passenger Side				Cashmere	XR8013007SDZ	19.30		Pewter	XR8027858LGM	.3 1950.00
Almond	XR8017873AGM	463.00		Charcoal	XR8013007LEG	19.30		w/o Cup Holder		
Cashmere	XR8017873SDZ	463.00		Ivory	XR8013007NED	19.30		Almond	XR8025364AGM	.3 2275.00
Charcoal	XR8017873LEG	463.00		Pewter	XR8013007LGM	19.30		Cashmere	XR8025364SDZ	.3 2275.00
Ivory	N.A.	0.00		Passenger Side				Charcoal	XR8025364LEG	.3 2275.00
Pewter	XR8017873LGM	463.00		Almond	XR8010936AGM	2.45		Ivory	XR8025364NED	.3 2275.00
Driver Side				Cashmere	XR8010936SDZ	2.35		Pewter	XR8025364LGM	.3 2275.00
Almond	XR8017873AGM	463.00		Charcoal	XR8010936LEG	2.35		From VIN M45255		
Cashmere	XR8017873SDZ	463.00		Ivory	XR8010936NED	2.35		Cloth		
Charcoal	XR8017873LEG	463.00		Pewter	XR8010936LGM	2.35		Champagne	XR8046462SEL	.3 1490.00
Ivory	N.A.	0.00		Driver Side				Charcoal	XR8046462LEG	.3 1490.00
Pewter	XR8017873LGM	463.00		Almond	XR8010936AGM	2.45		Dove	XR8042847LHJ	.3 2125.00
Leather				Cashmere	XR8010936SDZ	2.35		Sand	XR8042847ADX	.3 2125.00
Classic Pkg				Charcoal	XR8010936LEG	2.35				
To VIN L27057				Ivory	XR8010936NED	2.35				
Passenger Side				Pewter	XR8010936LGM	2.35				
Almond	XR8015167AGM	438.00		Driver Side						
Cashmere	XR8015167SDZ	438.00		Almond	XR8010936AGM	2.45				
Charcoal	XR8015167LEG	438.00		Cashmere	XR8010936SDZ	2.35				
Ivory	XR8015167NED	438.00		Charcoal	XR8010936LEG	2.35				
Pewter	XR8015167LGM	438.00		Ivory	XR8010936NED	2.35				

JAGUAR S-TYPE 2000-05



033-01743

Leather			
Classic Pkg			
w/Cup Holder			
Champagne	XR8046467SEL	.3	1550.00
Charcoal	XR8046467LEG	.3	1600.00
Dove	XR8046467LHJ	.3	1600.00
Sand	XR8031338ADX	.3	1900.00
w/o Cup Holder			
Champagne	XR8046463SEL	.3	1600.00
Charcoal	XR8046463LEG	.3	1600.00
Dove	XR8046463LHJ	.3	1600.00
Sand	XR8031337ADX	.3	1900.00
Sport Pkg			
w/Cup Holder			
Champagne	XR8046470SEL	.3	1600.00
Charcoal	XR8046581LEG	.3	1700.00
Dove	XR8046581LHJ	.3	1700.00
Sand	XR8031340ADX	.3	1900.00
w/o Cup Holder			
Champagne	XR8046466SEL	.3	1600.00
Charcoal	XR8046580LEG	.3	1700.00
Dove	XR8046580LHJ	.3	1700.00
Sand	XR8031339ADX	.3	1900.00
2 Cover, Lower Seat¶			
To VIN M45254			
w/Cup Holder			
Almond	XR8030512AGM	#1.5	1260.00
Cashmere	XR8030512SDZ	#1.5	1260.00
Charcoal	XR8030512LEG	#1.5	1260.00
Ivory	XR8030512NED	#1.5	1260.00
Pewter	XR8030512LGM	#1.5	1260.00
w/o Cup Holder			
Almond	XR8030511AGM	#1.5	1270.00
Cashmere	XR8030511SDZ	#1.5	1260.00
Charcoal	XR8030511LEG	#1.5	1260.00
Ivory	XR8030511NED	#1.5	1340.00
Pewter	XR8030511LGM	#1.5	1260.00
From VIN M45255			
Cloth			
Champagne	XR8046665SEL	#1.5	810.00
Charcoal	XR8046665LEG	#1.5	810.00
Dove	XR8042939LHS	#1.5	810.00
Sand	XR8042939AGZ	#1.5	810.00
Leather			
Classic Pkg			
w/Cup Holder			
Champagne	XR8046670SEL	#1.5	1000.00
Charcoal	XR8046670LEG	#1.5	1000.00
Dove	XR8046670LHJ	#1.5	1000.00
Sand	XR8046859ADX	#1.5	1000.00
w/o Cup Holder			
Champagne	XR8046666SEL	#1.5	1000.00
Charcoal	XR8046666LEG	#1.5	1000.00
Dove	XR8046666LHJ	#1.5	1000.00
Sand	XR8046858ADX	#1.5	1000.00
Sport Pkg			
w/Cup Holder			
Champagne	XR8046673SEL	#1.5	1000.00
Charcoal	XR8046861LEG	#1.5	745.00
Dove	XR8046861LHJ	#1.5	745.00
Sand	XR8046861ADX	#1.5	745.00
w/o Cup Holder			
Champagne	XR8046669SEL	#1.5	1000.00
Charcoal	XR8046860LEG	#1.5	745.00
Dove	XR8046860LHJ	#1.5	745.00
Sand	XR8046860ADX	#1.5	745.00
¶w/Seat Cushion Removed			
3 Cushion, Seat Back¶			
To VIN M45254			
w/Ski Storage			
Almond	R XR8015164AGM	.7	1370.00
	L XR8025400AGM	.7	1450.00
Cashmere	R XR8015164SDZ	.7	1370.00
	L XR8025400SDZ	.7	1450.00
Charcoal	R XR8015164LEG	.7	1370.00
	L XR8025400LEG	.7	1450.00
Ivory	R XR8015164NED	.7	1370.00
	L XR8025400NED	.7	1450.00
Pewter	R XR8015164LGM	.7	1370.00
	L XR8025400LGM	.7	1450.00
w/o Ski Storage			

Almond	R XR8025392AGM	.7	1050.00
	L XR8025392AGM	.7	1470.00
Cashmere	R XR8025392SDZ	.7	1050.00
	L XR8025392SDZ	.7	1470.00
Charcoal	R XR8025392LEG	.7	1050.00
	L XR8025392LEG	.7	1470.00
Ivory	R XR8025392NED	.7	1050.00
	L XR8025392NED	.7	1470.00
Pewter	R XR8025392LGM	.7	1050.00
	L XR8025392LGM	.7	1470.00
From VIN M45255			
Cloth			
Champagne	R XR8046542SEL	.7	710.00
	L XR8046542SEL	.7	1060.00
Charcoal	R XR8046542LEG	.7	710.00
	L XR8046542LEG	.7	1060.00
Dove	R XR8042905LHS	.7	775.00
	L XR8042910LHS	.7	900.00
Sand	R XR8042905AGZ	.7	775.00
	L XR8042910AGZ	.7	900.00
Leather			
Classic Pkg			
w/Ski Storage			
Champagne	R XR8046543SEL	.7	845.00
	L XR8046559SEL	.7	1230.00
Charcoal	R XR8046543LEG	.7	845.00
	L XR8046559LEG	.7	1230.00
Dove	R XR8046543LHJ	.7	845.00
	L XR8046559LHJ	.7	1230.00
Sand	R XR8046621ADX	.7	970.00
	L XR8046627ADX	.7	1130.00
w/o Ski Storage			
Champagne	R XR8046543SEL	.7	845.00
	L XR8046555SEL	.7	1230.00
Charcoal	R XR8046543LEG	.7	845.00
	L XR8046555LEG	.7	1230.00
Dove	R XR8046543LHJ	.7	845.00
	L XR8046555LHJ	.7	1230.00
Sand	R XR8046621ADX	.7	970.00
	L XR8046626ADX	.7	1130.00
Sport Pkg			
w/Ski Storage			
Champagne	R XR8046546SEL	.7	845.00
	L XR8046562SEL	.7	1230.00
Charcoal	R XR8046622LEG	.7	970.00
	L XR8046630LEG	.7	1130.00
Dove	R XR8046622LHJ	.7	970.00
	L XR8046630LHJ	.7	1130.00
Sand	R XR8046622ADX	.7	970.00
	L XR8046630ADX	.7	1130.00
w/o Ski Storage			
Champagne	R XR8046546SEL	.7	845.00
	L XR8046585SEL	.7	1230.00
Charcoal	R XR8046622LEG	.7	970.00
	L XR8046629LEG	.7	1130.00
Dove	R XR8046622LHJ	.7	970.00
	L XR8046630LHJ	.7	1130.00
Sand	R XR8046622ADX	.7	970.00
	L XR8046629ADX	.7	1130.00
4 Cover, Seat Back¶			
To VIN M45254			
w/Ski Storage			
Almond	R XR8015158AGM	#.6	685.00
	L XR8025386AGM	#.9	1350.00
Cashmere	R XR8015158SDZ	#.6	685.00
	L XR8025386SDZ	#.9	1350.00
Charcoal	R XR8015158LEG	#.6	685.00
	L XR8025386LEG	#.9	1350.00
Ivory	R XR8015158NED	#.6	685.00
	L XR8025386NED	#.9	1350.00
Pewter	R XR8015158LGM	#.6	685.00
	L XR8025386LGM	#.9	1350.00
w/o Ski Storage			
Almond	R XR8025378AGM	#.6	825.00
	L XR8025382AGM	#.9	1350.00
Cashmere	R XR8025378SDZ	#.6	825.00
	L XR8025382SDZ	#.9	1350.00
Charcoal	R XR8025378LEG	#.6	825.00
	L XR8025382LEG	#.9	1350.00
Ivory	R XR8025378NED	#.6	825.00
	L XR8025382NED	#.9	1350.00
Pewter	R XR8025378LGM	#.6	825.00
	L XR8025382LGM	#.9	1350.00
From VIN M45255			
Cloth			
Champagne	R XR8046805SEL	#.6	715.00
	L XR8046819SEL	#.9	710.00
Charcoal	R XR8046805LEG	#.6	715.00
	L XR8046819LEG	#.9	710.00
Dove	R XR8042995LHS	#.6	715.00
	L XR8046918LHS	#.9	635.00
Sand	R XR8042995AGZ	#.6	715.00
	L XR8046918AGZ	#.9	635.00
Leather			
Classic Pkg			
w/Ski Storage			
Champagne	R XR8046807SEL	#.6	484.00
	L XR8046824SEL	#.9	710.00
Charcoal	R XR8046807LEG	#.6	484.00
	L XR8046824LEG	#.9	710.00
Dove	R XR8046807LHJ	#.6	484.00
	L XR8046824LHJ	#.9	710.00
Sand	R XR8046914ADX	#.6	715.00
	L XR8046921ADX	#.9	590.00
w/o Ski Storage			
Champagne	R XR8046807SEL	#.6	484.00
	L XR8046820SEL	#.9	710.00
Charcoal	R XR8046807LEG	#.6	484.00
	L XR8046820LEG	#.9	710.00
Dove	R XR8046807LHJ	#.6	484.00
	L XR8046820LHJ	#.9	710.00
Sand	R XR8046914ADX	#.6	715.00
	L XR8046914ADX	#.6	715.00

	L XR8046920ADX	#.9	590.00
Sport Pkg			
w/Ski Storage			
Champagne	R XR8046809SEL	#.6	484.00
	L XR8046827SEL	#.9	710.00
Charcoal	R XR8046915LEG	#.6	715.00
	L XR8046924LEG	#.9	590.00
Dove	R XR8046915LHJ	#.6	715.00
	L XR8046924LHJ	#.9	590.00
Sand	R XR8046915ADX	#.6	715.00
	L XR8046924ADX	#.9	590.00
w/o Ski Storage			
Champagne	R XR8046809SEL	#.6	484.00
	L XR8046823SEL	#.9	710.00
Charcoal	R XR8046915LEG	#.6	715.00
	L XR8046923LEG	#.9	590.00
Dove	R XR8046915LHJ	#.6	715.00
	L XR8046923LHJ	#.9	590.00
Sand	R XR8046915ADX	#.6	715.00
	L XR8046923ADX	#.9	590.00
¶w/Seat Back Removed			
5 Bolster, Seat Back¶			
To VIN M45254			
Almond	R XR8018183AGM	.3	545.00
	L XR8018187AGM	.3	545.00
Cashmere	R XR8018183SDZ	.3	545.00
	L XR8018187SDZ	.3	545.00
Charcoal	R XR8018183LEG	.3	545.00
	L XR8018187LEG	.3	545.00
Ivory	R XR8018183NED	.3	545.00
	L XR8018187NED	.3	545.00
Pewter	R XR8018183LGM	.3	545.00
	L XR8018187LGM	.3	545.00
From VIN M45255			
Cloth			
Champagne	R XR8042921SEL	.3	440.00
	L XR8042924SEL	.3	440.00
Charcoal	R XR8042921LEG	.3	440.00
	L XR8042924LEG	.3	440.00
Dove	R XR8042921LHJ	.3	440.00
	L XR8042924LHJ	.3	440.00
Sand	R XR8042921ADX	.3	440.00
	L XR8042924ADX	.3	440.00
Leather			
Classic Pkg			
Champagne	R XR8046570SEL	.3	440.00
	L XR8046574SEL	.3	440.00
Charcoal	R XR8046570LEG	.3	440.00
	L XR8046574LEG	.3	440.00
Dove	R XR8046570LHJ	.3	440.00
	L XR8046574LHJ	.3	440.00
Sand	R XR8046635ADX	.3	487.00
	L XR8046637ADX	.3	487.00
Sport Pkg			
Champagne	R/L N.A.	.3	0.00
Charcoal	R XR8046636LEG	.3	487.00
	L XR8046963LEG	.3	487.00
Dove	R XR8046636LHJ	.3	487.00
	L XR8046963LHJ	.3	487.00
Sand	R XR8046636ADX	.3	487.00
	L XR8046963ADX	.3	487.00
6 Armrest, Center¶			
To VIN M45254			
w/Ski Storage			
Almond	XR8015020AGM	.4	403.00
Cashmere	XR8015020SDZ	.4	403.00
Charcoal	XR8015020LEG	.4	403.00
Ivory	XR8015020NED	.4	403.00
Pewter	XR8015020LGM	.4	403.00
w/o Ski Storage			
Almond	XR8013613AGM	.4	402.00
Cashmere	XR8013613SDZ	.4	402.00
Charcoal	XR8013613LEG	.4	402.00
Ivory	XR8013613NED	.4	402.00
Pewter	XR8013613LGM	.4	402.00
From VIN M45255			
Cloth			
Champagne	N.A.	.4	0.00
Charcoal	XR8036793LEG	.4	395.00
Dove	XR803679		

JAGUAR S-TYPE 2000-05

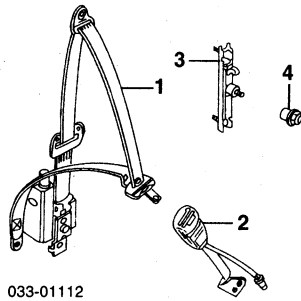
REAR SEAT Cont'd

Cloth			
Champagne	N.A.	.2	0.00
Charcoal	XR8034215LEG	.2	515.00
Dove	XR8034215LHJ	.2	515.00
Sand	XR8034215ADX	.2	515.00
Leather			
Champagne	N.A.	.2	0.00
Charcoal	XR8034216LEG	.2	545.00
Dove	XR8034216LHJ	.2	545.00
Sand	XR8034216ADX	.2	545.00
<i>Order by Application</i>			
9 Guide, Headrest			
To VIN M45254	N.A.		0.00
From VIN M45255			
Outer (2/Side)	R/L XR8046843		31.85
Center (2)	XR8046843		31.85
10 Cup Holder			
To VIN M45254			
Almond	XR8032929AGM	.3	59.45
Cashmere	XR8032929SDZ	.3	59.45
Charcoal	XR8032929LEG	.3	59.45
Ivory	XR8032929NED	.3	59.45
Pewter	XR8032929LGM	.3	59.45
From VIN M45255			
Champagne	XR8032929SEL	.3	60.80
Charcoal	XR8032929LEG	.3	59.45
Dove	XR8032929LHJ	.3	61.05
Sand	XR8032929ADX	.3	61.05
11 Bezel, Cup Holder			
To VIN M45254			
Almond	XR8032834AGM		7.75
Cashmere	XR8032834SDZ		7.75
Charcoal	XR8032834LEG		7.75
Ivory	XR8032834NED		7.75
Pewter	XR8032834LGM		7.75
From VIN M45255			
Champagne	XR8032834SEL		7.65
Charcoal	XR8032834LEG		7.75
Dove	XR8032834LHJ		7.75
Sand	XR8032834ADX		7.75
12 Latch, Seat Back	R XR8019647LEG		46.60
	L XR8019648LEG		46.60
13 Latch, Rear			
Fixed Seat	R XR8043512		40.85
	L XR8043514		40.85
Folding Seat	R XR8043511		39.40
	L XR8043513		39.40
<i>Order by Application</i>			
14 Catch, Seat (2/Side)	R/L XR8001993		16.40
15 Cover, Seat Back Latch	R C2S004771PEE		21.15
	L C2S004772PEE		21.15

SEAT BELTS

Use Procedure Explanation 30 with the following text.

FRONT



033-01112

1 Belt, Front Seat

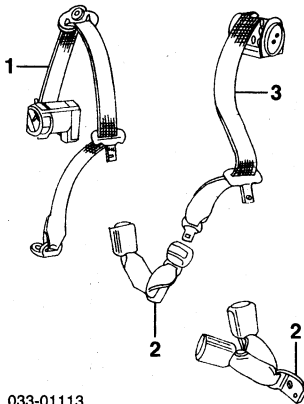
Charcoal			
To VIN L86901	R XR8014886LEG	.9	154.20
	L XR8014887LEG	.9	205.95
From VIN L86902 to VIN M45254	R XR8026746LEG	.9	151.10
	L XR8026748LEG	.9	141.65
From VIN M45255	R XR8024983LEG	.9	173.35
	L XR8048142LEG	.9	168.70
Granite			
To VIN M51730	R XR8036493LGP	.9	137.65
	L XR8024984LGP	.9	173.35
From VIN M51731	R XR8036493LGP	.9	137.65
	L XR8036495LGP	.9	137.65
Mocha	R N.A.	.9	0.00
	L XR8048142AMB	.9	168.30
Pewter			
To VIN L86901	R XR8014886LGM	.9	154.20
	L XR8014887LGM	.9	154.20
From VIN L86902	R XR8026746LGM	.9	144.50
	L XR8026748LGM	.9	221.50
Sable			
To VIN L86901	R XR8014886AEK	.9	154.20
	L XR8014887AEK	.9	205.95
From VIN L86902 to VIN M45254	R XR8026746AEK	.9	151.10
	L XR8026748AEK	.9	141.65
From VIN M45255 to VIN M51730	R XR8036493AEK	.9	137.65
	L XR8036495AEK	.9	137.35
From VIN M51731	R XR8036493AEK	.9	137.65
	L XR8036495AEK	.9	137.65

#Includes R&I/R Upper & Lower Center Pillar Trim

2 Buckle, Belt w/Pretensioner Charcoal

	R XR8045049LEG	.5	153.20
	L XR8045050LEG	.5	153.20
Mocha	R XR8045049AMB	.5	153.20
	L XR8045050AMB	.5	153.20
w/o Pretensioner Charcoal			
To VIN L52822	R XR8001404LEG	.5	104.85
	L XR8001405LEG	.5	104.85
From VIN L52823 to VIN M45254	R XR8023162LEG	.5	105.85
	L XR8023164LEG	.5	105.85
From VIN M45255	R XR8045049LEG	.5	153.20
	L XR8045050LEG	.5	153.20
Granite	R XR8043171LGP	.5	169.20
	L XR8043172LGP	.5	169.20
Pewter			
To VIN L52822	R XR8001404LGM	.5	104.85
	L XR8001405LGM	.5	104.85
From VIN L52823	R XR8023162LGM	.5	109.45
	L XR8023164LGM	.5	109.45
Sable			
To VIN L52822	R XR8001404AEK	.5	104.85
	L XR8001405AEK	.5	104.85
From VIN L52823 to VIN M45254	R XR8023162AEK	.5	105.85
	L XR8023164AEK	.5	105.85
From VIN M45255	R XR8043171AEK	.5	169.20
	L XR8043172AEK	.5	169.20
3 Adjuster, Seat Belt	R/L XR8002367		31.90
4 Nut, Seat Belt	R/L XR8001960		3.80

REAR



033-01113

1 Belt, Rear Seat

Charcoal			
To VIN L86901	R XR8001384LEG	.3	179.70
	L XR8001381LEG	.3	146.35
From VIN L86902 to VIN M45254	R XR8026750LEG	.3	179.70
	L XR8026751LEG	.3	138.75
From VIN M45255 to VIN N18654	R XR8048144LEG	.3	286.00
	L XR8048146LEG	.3	286.00
From VIN N18655	R XR8048144LEG	.3	286.00
	L XR8048146LEG	.3	286.00
Granite	R XR8024986LGP	.3	244.80
	L XR8024987LGP	.3	238.55
Mocha	R XR8048144AMB	.3	222.80
	L XR8048146AMB	.3	222.80
Pewter			
To VIN L86901	R XR8001384LGM	.3	179.70
	L XR8001381LGM	.3	146.35
From VIN L86902	R XR8026750LGM	.3	179.70
	L XR8026751LGM	.3	138.75
Sable			
To VIN L86901	R XR8001384AEK	.3	179.70
	L XR8001381AEK	.3	146.35
From VIN L86902 to VIN M45254	R XR8026750AEK	.3	179.70
	L XR8026751AEK	.3	138.75
From VIN M45255	R XR8024986AEK	.3	244.80
	L XR8024987AEK	.3	244.80
2 Buckle, Belt Charcoal			
To VIN M23559	R XR8001376LEG	.3	62.30
	L XR8001377LEG	.3	62.30
From VIN M23560 to VIN M45254	R XR8028776LEG	.3	138.75
	L XR8054184LEG	.3	61.20
From VIN M45255 to VIN N18654	R XR8048136LEG	.3	68.85
	L XR8054184LEG	.3	61.20
From VIN N18655	R XR8048136LEG	.3	68.85
	L XR8054184LEG	.3	61.20
Granite	R XR8024977LGP	.3	57.05
	L XR8024978LGP	.3	57.05
Mocha	R XR8048136AMB	.3	68.85
	L XR8048137AMB	.3	61.20
Pewter			
To VIN M23559	R XR8001376LGM	.3	62.30
	L XR8001377LGM	.3	62.30
From VIN M23560	R XR8028776LGM	.3	138.75
	L XR8028777LGM	.3	138.75
Sable			
To VIN M23559	R XR8001376AEK	.3	62.30
	L XR8001377AEK	.3	62.30
From VIN M23560 to VIN M45254	R XR8028776AEK	.3	138.75
	L XR8028777AEK	.3	138.75
From VIN M45255	R XR8024977AEK	.3	57.05
	L XR8024978AEK	.3	57.05

3 Belt, Center

Charcoal			
To VIN L86901	XR8001382LEG	#.3	62.30
From VIN L86902 to VIN N18654	XR8026745LEG	#.3	59.95
From VIN N18655	XR8039079LEG	#.3	195.45
Granite	XR8048138LGP	#.3	235.65
Mocha	XR8039079AMB	#.3	226.45
Pewter			
To VIN L86901	XR8001382LGM	#.3	62.30
From VIN L86902	XR8026745LGM	#.3	59.95
Sable			
To VIN L86901	XR8001382AEK	#.3	62.30
From VIN L86902 to VIN M45254	XR8026745AEK	#.3	59.95
From VIN M45255	XR8048138AEG	#.3	236.40

#w/Rear Seat Assy Removed

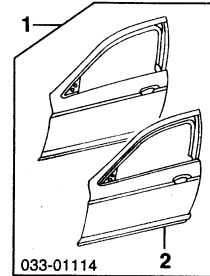
FRONT DOOR

Use Procedure Explanations 16 and 28 with the following text.

SHEET METAL

Refinish Door Outside	R/L	2.2
Add for Jamb & Interior	R/L	1.0
Add for Jamb	R/L	.5
R&I Door Assy	R/L	#2.5

#Includes Loosen Fender for Access



033-01114

1 Shell Assy, Door

To VIN M45254	R XR8026921	#7.5	665.00
	L XR8025679	#7.5	660.00
From VIN M45255	R XR8045423	#7.5	625.00
	L XR8025679	#7.5	660.00

#Includes R&I Mirror Assy

2 Panel, Door Repair (a)

To VIN M45254	R/L XR8015662-3	#8.5	288.00
From VIN M45255	R/L XR8043184-5	#8.5	377.00

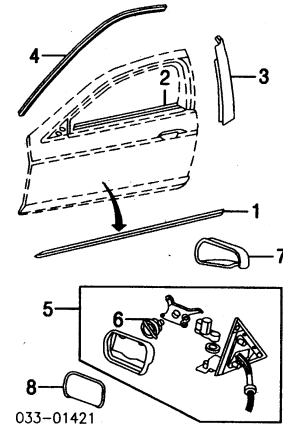
Order by Application

(a) Included w/Door Shell Assy

#Includes R&I Mirror & R&I/R&R Door Glass

EXTERIOR TRIM

Refinish Side Moulding	R/L	.5
Refinish Mirror Cover	R/L	.5
R&I Outer Belt Moulding	R/L	.3
R&I Mirror Assy	R/L	.5



033-01421

1 Moulding, Side (Adhesive) (P)

	R XR8001416XXX	.4	76.45
	L XR8001417XXX	.4	76.45

(P) Paint to Match

2 Moulding, Outer Belt

To VIN M45254	R/L XR8002534-5	.3	65.85
From VIN M45255			
Black	R XR8042096	.3	98.30
	L XR8042100	.3	98.30
Chrome	R XR8042097	.3	98.30
	L XR8042101	.3	98.30

3 Moulding, Outer Glass

To VIN M45254	R/L XR8015758-9	.3	114.60
From VIN M45255	R/L XR8041499-8	.3	73.25

4 Moulding, Upper

To VIN M45254	R/L XR8041262-3	.3	126.80
From VIN M45255			

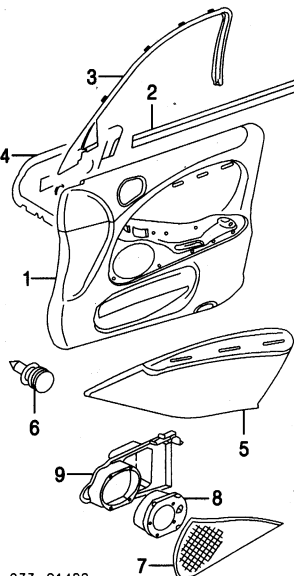
JAGUAR S-TYPE 2000-05

Black	R XR8040081	.3	84.90
	L XR8040083	.3	84.90
Chrome	R XR8040082	.3	84.90
	L XR8040084	.3	84.90
5 Housing Assy, Mirror w/Memory			
w/Power Park To VIN M45254	R XR8027254	#.8	645.00
	L XR8027256	#.8	645.00
From VIN M45255 w/o Power Park To VIN M45254	R/L XR8041635-6	#.8	645.00
From VIN M45255 w/o Memory w/Power Park To VIN M45254	R XR8027250	#.8	406.00
	L XR8027252	#.8	530.00
From VIN M45255 w/o Power Park To VIN M45254	R/L XR8041633-4	#.8	570.00
From VIN M45255 w/o Memory w/Power Park To VIN M45254	R XR8027253	#.8	545.00
	L XR8027255	#.8	545.00
From VIN M45255 w/o Power Park To VIN M45254	R/L XR8041635-6	#.8	645.00
From VIN M45255 w/o Memory w/Power Park To VIN M45254	R XR8027249	#.8	296.00
	L XR8027251	#.8	269.00
From VIN M45255 w/o Memory w/Power Park To VIN M45254	R/L XR8041633-4	#.8	570.00
#Includes R&R Glass & Cover			
6 Motor, Mirror			
w/Memory To VIN M45254	R/L XR8010719	148.60	
From VIN M45255 w/o Memory To VIN M45254	R/L XR8034442	123.95	
From VIN M45255 w/o Memory To VIN M45254	R/L XR8010718	69.00	
From VIN M45255 w/o Memory To VIN M45254	R/L C2S011784	56.00	
#Includes w/Mirror Housing Assy			
7 Cover, Mirror			
Chrome	R C2C009189	87.50	
	L C2C009191	87.50	
Paint to Match To VIN M45254	R/L XR8010720-1	64.90	
From VIN M45255 to VIN N24922	R C2S039140XXX	45.90	
	L C2S039141XXX	45.90	
From VIN N24923	R C2S039140XXX	45.90	
	L C2S039141XXX	45.90	
8 Glass, Mirror (a)			
	R XR8010715	55.45	
	L XR8010713	55.45	
(a) Order by Application			

INTERIOR TRIM

R&I Trim PanelR/L .4

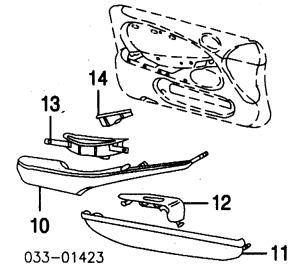
NOTE: All Parts in this section are included in R&R Trim Panel unless noted otherwise.



033-01422

1 Panel, Trim			
Charcoal	R XR8019632LEG	.7	320.00
	L XR8019633LEG	.7	314.00
Charcoal/Almond	R XR8019632LHF	.7	305.00
	L XR8019633LHF	.7	305.00
Charcoal/Cashmere	R XR8019632LHG	.7	305.00
	L XR8019633LHG	.7	305.00
Charcoal/Champagne	R XR8044512LJG	.7	407.00
	L XR8044513LJG	.7	407.00
Charcoal/Dove	R XR8021679LEY	.7	305.00
To VIN M71072	L XR8044513LEY	.7	407.00
From VIN M71073	R XR8044512LEY	.7	407.00
	L XR8044513LEY	.7	407.00
Charcoal/Ivory	R XR8019632LGJ	.7	305.00
To VIN M45254	L XR8019633LGJ	.7	305.00
From VIN M45255 to VIN N13088	R XR8044512LGJ	.7	407.00
	L XR8044513LGJ	.7	407.00
From VIN N13089	R XR8044512LGJ	.7	407.00
	L XR8044513LGJ	.7	407.00
Charcoal/Sand	R XR8021679LHP	.7	414.00

From VIN M71073	L XR8044513LHP	.7	407.00
	R XR8044512LHP	.7	407.00
	L XR8044513LHP	.7	407.00
	R XR8044512LHP	.7	407.00
	L XR8044513LGP	.7	407.00
Granite/Dove			
To VIN M71072	R XR8021679LHH	.7	305.00
	L XR8044513LHH	.7	407.00
From VIN M71073	R XR8044512LHH	.7	407.00
	L XR8044513LHH	.7	407.00
Granite/Pewter			
To VIN L86901	R XR8019632LGY	.7	305.00
	L XR8019633LGY	.7	305.00
Mink/Almond	R XR8019632AGS	.7	320.00
	L XR8019633AGS	.7	314.00
Mocha/Champagne	R XR8044512AMC	.7	407.00
	L XR8044513AMC	.7	407.00
Mocha/Ivory	R XR8044512AMD	.7	407.00
	L XR8044513AMD	.7	407.00
Sable/Cashmere	R XR8019632AET	.7	305.00
	L XR8019633AET	.7	314.00
Sable/Ivory	R XR8019632AES	.7	320.00
To VIN M45254	L XR8019633AES	.7	314.00
From VIN M45255	R XR8044512AES	.7	407.00
	L XR8044513AES	.7	407.00
From VIN M71073	R XR8044512AES	.7	407.00
	L XR8044513AES	.7	407.00
Sable/Sand	R XR8021679ADZ	.7	305.00
To VIN M71072	L XR8044513ADZ	.7	407.00
From VIN M71073	R XR8044512ADZ	.7	407.00
	L XR8044513ADZ	.7	407.00
#Order by Application			
2 Moulding, Inner Belt	R/L XR8016312-3	23.55	
3 Trim, Window Frame			
To VIN M64989	R XR8011186LEG	#.3	77.75
	L XR8011187LEG	#.3	77.75
From VIN M64990 (P) (P) Paint to Match	R/L XR804636-7	#.3	78.30
4 Shield, Moisture			
#w/Trim Panel Removed, Not Included in R&R Trim Panel	R/L XR8045419-20	#	34.30
5 Panel, Insert			
Almond	R XR8013218AGM	.3	92.60
Ambia Trim To VIN L25614	L XR8013221AGM	.3	94.75
From VIN L25615	R XR8015388AGM	.3	92.60
	L XR8015391AGM	.3	92.60
Cloth	R XR8013219AGM	.3	104.30
To VIN L25614	L XR8013222AGM	.3	102.25
From VIN L25615	R XR8015389AGM	.3	104.00
	L XR8015392AGM	.3	104.00
Leather	R XR8013217AGM	.3	141.95
To VIN L25614	L XR8013220AGM	.3	141.95
From VIN L25615	R XR8015387AGM	.3	138.20
	L XR8015390AGM	.3	138.20
Blond	R XR8036204SEN	.3	119.40
Ambia Trim	L XR8036212SEN	.3	119.40
Leather	R XR8045034SEN	.3	223.55
	L XR8045036SEN	.3	223.55
Cashmere	R XR8013218SDZ	.3	92.60
Ambia Trim To VIN L25614	L XR8013221SDZ	.3	94.75
From VIN L25615	R XR8015388SDZ	.3	92.60
	L XR8015391SDZ	.3	92.60
Cloth	R XR8013219SDZ	.3	102.25
To VIN L25614	L XR8013222SDZ	.3	112.55
From VIN L25615	R XR8015389SDZ	.3	104.00
	L XR8015392SDZ	.3	104.00
Leather	R XR8013217SDZ	.3	148.05
To VIN L25614	L XR8013220SDZ	.3	141.95
From VIN L25615	R XR8015387SDZ	.3	138.20
	L XR8015390SDZ	.3	138.20
Champagne	R XR8036204SEL	.3	119.40
Ambia Trim	L XR8036212SEL	.3	119.40
Leather	R XR8047199SEL	.3	260.00
	L XR8047200SEL	.3	260.00
Charcoal	R XR8013218LEG	.3	88.85
Ambia Trim To VIN L25614	L XR8013221LEG	.3	97.60
From VIN L25615	R XR8015388LEG	.3	92.60
	L XR8015391LEG	.3	92.60
Cloth	R XR8013219AGM	.3	104.30
To VIN L25614	L XR8013222LEG	.3	104.30
From VIN L25615	R XR8015389LEG	.3	104.00
	L XR8015392LEG	.3	104.00
Leather	R XR8013217LEG	.3	141.95
To VIN L25614	L XR8013220LEG	.3	133.15
From VIN L25615	R XR8015387LEG	.3	138.20
	L XR8015390LEG	.3	138.20
Cranberry	R XR8036204CGT	.3	117.75
Ambia Trim	L XR8036212CGT	.3	117.75
Leather	R XR8036136CGT	.3	d188.35
	L XR8036139CGT	.3	d182.85
Dove	R XR8036204LHJ	.3	117.75
Ambia Trim	L XR8036212LHJ	.3	117.75
Leather	R XR8036136LHJ	.3	d188.35
	L XR8036139LHJ	.3	d182.85
Heritage	R XR8036204ADY	.3	117.75
	L XR8036212ADY	.3	117.75
Leather	R XR8036136ADY	.3	d182.85
	L XR8036139ADY	.3	d182.85
Ivory	R XR8036204NED	.3	117.75
Ambia Trim	L XR8036212NED	.3	117.75
Leather	R XR8036136NED	.3	d182.85
	L XR8036139NED	.3	d188.35
Pewter	R XR8013218LGM	.3	87.05
Ambia Trim To VIN L25614	L XR8013221LGM	.3	95.80
From VIN L25615	R XR8015388LGM	.3	92.60
	L XR8015391LGM	.3	92.60
Cloth	R XR8013219LGM	.3	102.25
To VIN L25614	L XR8013222LGM	.3	102.25
From VIN L25615	R XR8015389LGM	.3	104.00
	L XR8015392LGM	.3	104.00
Leather	R XR8013217LGM	.3	146.30
To VIN L25614	L XR8013220LGM	.3	146.30
From VIN L25615	R XR8015387LGM	.3	138.20
	L XR8015390LGM	.3	138.20
Sand	R XR8036204ADX	.3	117.75
Ambia Trim	L XR8036212ADX	.3	117.75
Leather	R XR8036136ADX	.3	d182.85
	L XR8036139ADX	.3	d188.35
6 Clip, Trim			
#Order by Application	R/L XR8019630	2.75	
Grommet, Clip (a)			
(a) As Required	R/L XR8021729	.70	
7 Grille, Speaker			
Almond	R XR8019574AGM	44.75	
	L XR8028030AGM	34.50	
Cashmere	R XR8019574SDZ	44.75	
	L XR8019575SDZ	44.75	
Charcoal	R XR8019574LEG	44.75	
	L XR8019575LEG	44.75	
Cranberry	R XR8028029CGT	18.50	
	L XR8028030CGT	18.50	
Dove	R XR8028029LHJ	43.35	
	L XR8028030LHJ	43.35	
Heritage	R XR8028029ADY	19.85	
	L XR8028030ADY	43.35	
Ivory	R XR8028029NED	34.50	
	L XR8028030NED	34.50	
Oatmeal	R XR8028029AGD	44.35	
	L XR8028030AGD	44.35	
Pewter	R XR8028029LGM	34.50	
	L XR8028030LGM	34.50	
Sand	R XR8028029ADX	43.35	
	L XR8028030ADX	43.35	
#Order by Application			
8 Emblem, Speaker	R/L C2S022361	11.10	
8 Speaker, Radio			
To VIN M45254	R/L XR8001537	#.2	105.75
From VIN M45255	R/L XR8001537	#.2	105.75
#w/Trim Panel Removed, Not Included in R&R Trim Panel			
9 Bracket, Speaker			
#Order by Application	R/L XR8024647	48.65	



033-01423

10 Armrest, Door			
Almond	R XR8011670AGM	#.2	172.15
To VIN L25614	L XR8011671AGM	#.2	172.15
From VIN L25615 to VIN L49899	R XR8015393AGM	#.2	188.85
	L XR8017802AGM	#.2	0.00
From VIN L50000	R XR8018380AGM	#.2	199.15
	L XR8018381AGM	#.2	199.15
Blond	R XR8018380SEN	#.2	181.35
	L XR8018381SEN	#.2	181.35
Cashmere	R XR8011670SDZ	#.2	172.15
To VIN L25614	L XR8011671SDZ	#.2	172.15
From VIN L25615 to VIN L49899	R XR8015393SDZ	#.2	188.85
	L XR8017802SDZ	#.2	0.00
From VIN L50000	R XR8018380SDZ	#.2	199.15
	L XR8018381SDZ	#.2	199.15
Champagne	R XR8018380SEL	#.2	181.35
Ambia Trim	L XR8018381SEL	#.2	181.35
Leather	R XR8047201SEL	#.2	243.50
	L XR8047203SEL	#.2	243.50
Charcoal	R XR8018380LEG	#.2	199.15
	L XR8018381LEG	#.2	199.15
Cranberry	R XR8018380CGT	#.2	181.25
	L XR8018381CGT	#.2	205.15
Dove	R XR8018380LHJ	#.2	181.25
	L XR8018381LHJ	#.2	205.15
Heritage	R XR8018380ADY	#.2	181.25
	L XR8018381ADY	#.2	205.15

FRONT DOOR Cont'd

INTERIOR TRIM Cont'd

Ivory			
To VIN L25614	R XR8011670NED	#2	172.15
	L XR8011671NED	#2	172.15
From VIN L25615 to VIN L49999	R XR8015393NED	#2	188.85
	L XR8017802NED	#2	0.00
From VIN L50000	R XR8018380NED	#2	199.15
	L XR8018381NED	#2	199.15
Pewter			
To VIN L25614	R XR8011670LGM	#2	172.15
	L XR8011671LGM	#2	172.15
From VIN L25615 to VIN L49999	R XR8015393LGM	#2	188.85
	L XR8015394LGM	#2	188.85
From VIN L50000	R XR8018380LGM	#2	199.15
	L XR8018381LGM	#2	199.15
Sand	R XR8018380ADX	#2	181.25
	L XR8018381ADX	#2	205.15

#w/Trim Panel Removed

11 Pocket, Door			
Almond	R XR8013246AGM	34.65	
	L XR8013247AGM	34.65	
Cashmere	R XR8013246SDZ	34.65	
	L XR8021736SDZ	d34.10	
Champagne	R XR8013246LJG	42.55	
	L XR8013247LJG	46.10	
Charcoal	R XR8013246LEG	37.20	
	L XR8021736LEG	d34.10	
Dove	R XR8013246LHZ	46.00	
	L XR8013247LHZ	46.00	
Granite	R XR8013246LGP	46.10	
	L XR8013247LGP	46.10	
Ivory	R XR8013246NED	34.65	
	L XR8013247NED	34.65	
Pewter	R XR8013246LGM	35.95	
	L XR8021736LGM	d34.10	
Sand	R XR8013246ADX	46.00	
	L XR8013247ADX	46.00	

Order by Application

Switch, Folding Mirror	L XR8002117	21.60	
Switch, Pass Window	R XR8002107	102.45	

Order by Application

w/Memory			
To VIN M45254	XR8049761	157.90	
From VIN M45255	XR8037169	146.75	
w/o Memory			
To VIN M45254	XR8049763	157.90	
From VIN M45255	XR8037173	147.00	

Order by Application

Finisher, Armrest-See Instrument Panel Section

Finisher, Upper Door Panel-See Instrument Panel Section

12 Bracket, Switch			
Almond	R/L XR8011687AGM	38.95	
Cashmere	R/L XR8011687SDZ	38.95	
Charcoal	R/L XR8011687LEG	38.95	
Ivory	R/L XR8011687NED	38.95	
Pewter	R/L XR8011687LGM	38.95	

13 Insert, Armrest			
Almond			
To VIN L25614	R XR8013240AGM	21.40	
	L XR8013241AGM	21.40	
From VIN L25615	R XR8015408AGM	21.90	
	L XR8015409AGM	21.90	
Blond	R XR8015408SEN	23.30	
	L XR8015409SEN	23.30	

Cashmere			
To VIN L25614	R XR8013240SDZ	24.60	
	L XR8013241SDZ	21.40	
From VIN L25615	R XR8015408SDZ	21.90	
	L XR8015409SDZ	21.90	

Champagne			
	R XR8015408SEL	23.30	
	L XR8015409SEL	23.30	
Charcoal			
To VIN L25614	R XR8013240LEG	21.40	
	L XR8013241LEG	23.70	
From VIN L25615	R XR8015408LEG	21.90	
	L XR8015409LEG	21.90	

Dove			
	R XR8015408LHJ	23.30	
	L XR8015409LHJ	23.30	
Ivory			
To VIN L25614	R XR8013240NED	21.40	
	L XR8013241NED	21.40	
From VIN L25615	R XR8015408NED	21.90	
	L XR8015409NED	21.90	

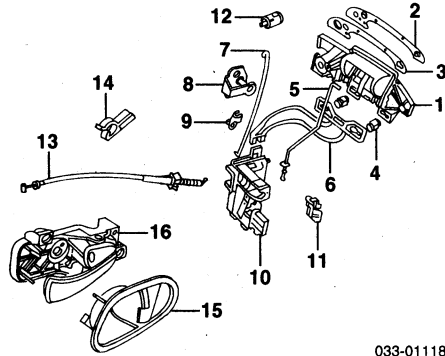
Pewter			
To VIN L25614	R XR8013240LGM	20.75	
	L XR8013241LGM	20.75	
From VIN L25615	R XR8015408LGM	21.90	
	L XR8015409LGM	21.90	

Sand			
	R XR8015408ADX	23.30	
	L XR8015409ADX	23.30	
14 Ashtray	R XR8041550	28.45	

HARDWARE

Refinish Outside Handle	R/L	.4	
Refinish Handle Bezel	R/L	.3	
Refinish Upper Door Hinge	R/L	.2	
Refinish Lower Door Hinge	R/L	.2	
R&I Outside Handle	R/L	#8	

#Includes R&I Trim Panel



1 Handle, Outside			
Alpine White	R XR8003619HGF	#4	110.75
	L XR8003621HGF	#4	110.75
Anthracite	R XR8003619PED	#4	110.75
	L XR8003621PED	#4	110.75
Aspen Green	R XR8003619HGP	#4	143.70
	L XR8003621HGP	#4	143.70
Black	R XR8003619PEC	d107.50	
	L XR8003621PEC	d107.50	
British Racing Green	R XR8003619HGD	#4	110.75
	L XR8003621HGD	#4	110.75
Carnival	R XR8003619CGG	#4	110.75
	L XR8003621CGG	#4	110.75
Emerald	R XR8003619HGG	#4	110.75
	L XR8003621HGG	#4	110.75
Meteorite	R XR8003619MDX	#4	110.75
	L XR8003621MDX	#4	110.75
Midnight	R XR8028142PEF	#4	139.95
	L XR8028143PEF	#4	139.95
Mistral	R XR8003619JHJ	#4	110.75
	L XR8003621JHJ	#4	110.75
Pacific Blue	R XR8003619JHM	#4	110.75
	L XR8003621JHM	#4	110.75
Platinum	R XR8003619MDZ	#4	110.75
	L XR8003621MDZ	#4	110.75
Quartz	R XR8003619LHK	#4	143.70
	L XR8003621LHK	#4	143.70
Roman Bronze	R XR8003619BDE	#4	110.75
	L XR8003621BDE	#4	110.75
Sapphire	R XR8003619JHE	#4	110.75
	L XR8003621JHE	#4	110.75
Seafrost	R XR8003619MDV	#4	110.75
	L XR8003621MDV	#4	110.75
Slate Gray	R XR8003619LHL	#4	143.70
	L XR8003621LHL	#4	143.70
Spindrift	R XR8003619NEE	#4	110.75
	L XR8003621NEE	#4	110.75
Titanium	R XR8003619LGL	#4	110.75
	L XR8003621LGL	#4	110.75
Topaz	R XR8003619SEC	#4	110.75
	L XR8003621SEC	#4	110.75
Westminster Blue	R XR8003619JHG	#4	110.75
	L XR8003621JHG	#4	110.75
White Onyx	R XR8003619NEG	#4	110.75
	L XR8003621NEG	#4	110.75
Zircon	R XR8003619JHV	#4	143.70
	L XR8003621JHV	#4	143.70

#w/Trim Panel Removed

2 Bezel, Handle (P)	R XR8003616XXX	35.65	
	L XR8003617XXX	35.65	
(P) Paint to Match			
3 Gasket, Handle	R/L XR8028163	5.65	
4 Bushing, Handle	R/L XR8010704	3.45	
5 Rod, Lock/Latch	R/L XR8017361-0	238.10	
6 Bracket, Mounting	R/L XR8006322	6.90	
7 Rod Latch	R/L XR8017367	24.10	
8 Striker, Latch	R/L XR8018411	36.95	.2
9 Clip, Rod	R/L XR8011823	2.75	
10 Latch, Door	R XR8025342	#3	191.05
	L XR8032236	#3	215.95

Order by Application

#w/Trim Panel Removed

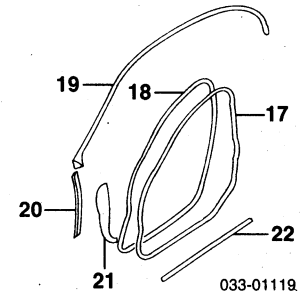
11 Snap, Lock Rod (2/Side)	R/L XR8017386	2.05	
12 Cylinder, Lock	L XR8013310	#3	132.10
13 Cable, Release	R/L XR8017371-2	15.35	
14 Clip, Cable	R/L XR8011821	1.35	

#w/Trim Panel Removed, Includes R&R Bezel

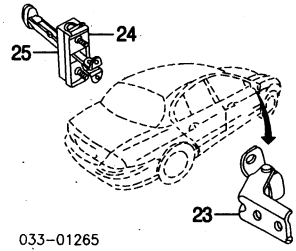
15 Bezel, Handle Inside			
Almond	R XR8030380AGM	20.90	
	L XR8030381AGM	20.90	
Blond	R/L N.A.	0.00	
Cashmere	R XR8030380SDZ	20.90	
	L XR8030381SDZ	20.90	
Champagne	R/L N.A.	0.00	
Charcoal	R XR8030380LEG	20.90	
	L XR8030381LEG	20.90	
Cranberry	R/L N.A.	0.00	
Dove	R/L N.A.	0.00	
Heritage	R/L N.A.	0.00	
Ivory	R XR8030380NED	20.90	
	L XR8030381NED	20.90	
Pewter	R XR8030380LGM	20.90	
	L XR8030381LGM	20.90	
Sand	R/L N.A.	0.00	
16 Handle, Inside			
To VIN M45254	R XR8028164	#3	102.60
	L XR8028166	#3	102.60
From VIN M45255	R XR8042192	#3	101.80

L XR8042194 #3 101.80

#w/Trim Panel Removed

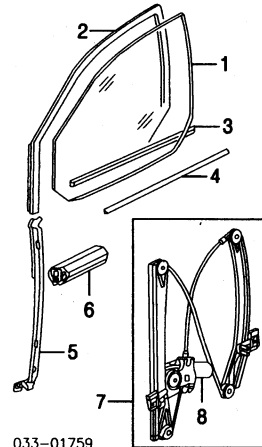


17 Seal, Door Opening			
On Door	R/L XR8053720	.6	37.05
18 Weatherstrip, Front Door Opening-See Rocker/Pillars/Floor Section			
19 Weatherstrip, Roof Rail-See Rocker/Pillars/Floor Section			
20 Seal, Pillar-See Rocker/Pillars/Floor Section			
21 Cover, Trim-See Rocker/Pillars/Floor Section			
22 Seal, Lower Front	R/L XR8035585	.2	16.35



23 Hinge, Door			
To VIN M79077			
Upper	R/L XR8042632	#5	51.65
Lower	R/L XR8042633	#5	51.65
From VIN M79078			
Upper	R/L XR8042632	#5	51.65
Lower	R/L XR8042633	#5	51.65
Order by Application			
#w/Door Assy Removed			
24 Check, Door	R/L C2C001130	#2	19.65
#w/Trim Panel Removed			
25 Seal, Door Check	R/L XR8013301		3.85

GLASS & PARTS



1 Glass, Front Door			
Jaguar (Tint)	R/L XR8049787-8	1.7	168.90
N&GS (Tint)	R FD20791GTN	1.7	179.40
	L FD20792GTN	1.7	179.40
2 Channel, Glass			
To VIN M85566	R/L XR8025643-4	#3	122.60
From VIN M85567	R/L XR8042603-4	#3	87.45
Order by Application			
#w/Glass Removed			
3 Moulding, Inner Belt-See Interior Trim Section			
4 Moulding, Outer Belt-See Exterior Trim Section			
5 Channel, Lower Front	R/L XR8027257-8		31.95
6 Buffer, Glass	R/L GJA1718AB		43.75
7 Regulator Assy, Window	R XR8041309	#7	350.00
	L XR8047228	#7	449.00
#w/Trim Panel Removed			
8 Motor, Window (a)			
To VIN M45254	R/L XR8048086-7		162.40
From VIN M45255	R/L XR8048087-8		162.40

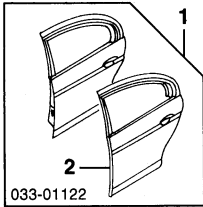
(a) Included w/Window Regulator Assy

REAR DOOR

Use Procedure Explanations 16 and 28 with the following text.

SHEET METAL

Refinish Door Outside.....	R/L	2.1
Add for Jamb & Interior.....	R/L	1.0
Add for Jamb.....	R/L	.5
R&I Door Assy.....	R/L	1.5

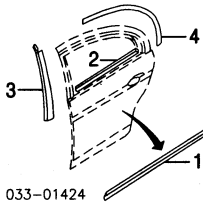


1 Shell Assy, Door To VIN M45254	R/L	XR8026901-2	7.0	665.00
From VIN M45255	R/L	XR8028668-9	7.0	605.00
2 Panel, Door Repair (a)				
To VIN M45254	R/L	XR8015666-7	#7.5	288.00
From VIN M45255	R/L	XR8043186-7	#7.5	366.00

Order by Application
(a) Included w/Door Shell Assy
Includes R&I/R&R Door Glass

EXTERIOR TRIM

Refinish Side Moulding.....	R/L	.5
R&I Outer Belt Moulding.....	R/L	.3



1 Moulding, Side (Adhesive) (P)	R	XR8001418XXX	.4	55.25
	L	XR8001419XXX	.4	55.25
(P) Paint to Match				
2 Moulding, Outer Belt To VIN M45254	R/L	XR8017293-4	.3	72.25
From VIN M45255				
Black	R	XR8042104	.3	98.30
	L	XR8042108	.3	98.30
Chrome	R	XR8042105	.3	98.30
	L	XR8042109	.3	98.30
3 Moulding, Outer Glass To VIN M45254	R/L	XR8015760-1	.3	99.50
From VIN M45255	R/L	XR8041500-1	.3	50.60
4 Moulding, Upper To VIN M45254	R	XR8041264	.3	126.80
	L	XR8041265	.3	106.95
From VIN M45255				
Black	R/L	XR8052366-7	.3	111.25
Chrome	R	XR8052366	.3	111.25
	L	XR8052368	.3	111.25

Order by Application
Clip, Moulding (a)
(a) As Required

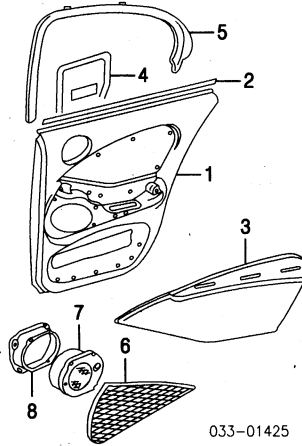
INTERIOR TRIM

R&I Trim Panel.....	R/L	.4
---------------------	-----	----

NOTE: All Parts in this section are included in R&R Trim Panel unless noted otherwise.

Illustration Located in Next Column

1 Panel, Trim Almond	R	XR8017813AGM	.7	262.00
	L	XR8017814AGM	.7	262.00
Cashmere	R	XR8017813SDZ	.7	262.00
	L	XR8017814SDZ	.7	262.00
Champagne	R	XR8044711SEL	.7	407.00
	L	XR8044712SEL	.7	407.00
Charcoal	R	XR8017813LEG	.7	262.00
To VIN M45254	L	XR8044712LEG	.7	407.00
From VIN M45255	R	XR8044711LEG	.7	407.00
	L	XR8044712LEG	.7	407.00
Dove	R	XR8044711LHJ	.7	407.00
	L	XR8044712LHJ	.7	407.00
Granite	R	XR8044711LGP	.7	407.00
	L	XR8044712LGP	.7	407.00



Ivory	R	XR8017813NED	.7	262.00
To VIN M45254	L	XR8017814NED	.7	262.00
From VIN M45255	R	XR8044711NED	.7	407.00
	L	XR8044712NED	.7	407.00
Pewter	R	XR8017813LGM	.7	262.00
	L	XR8017814LGM	.7	262.00
Sand	R	XR8044711ADX	.7	407.00
	L	XR8044712ADX	.7	407.00
2 Seal, Inner	R/L	XR8016314-5		26.00

3 Panel, Insert Almond Trim	R	XR8013218AGM	.2	92.60
	L	XR8013221AGM	.2	94.75
Cashmere	R	XR8013218SDZ	.2	92.60
	L	XR8013221SDZ	.2	94.75
Champagne	R	XR8036207SEL	.2	119.40
	L	XR8030105SEL	.2	103.25
Charcoal	R	XR8030103LEG	.2	100.55
	L	XR8030105LEG	.2	103.50
Cranberry	R	XR8036207CGT	.2	119.40
	L	XR8030105CGT	.2	103.50
Dove	R	XR8030103LHJ	.2	100.55
	L	XR8030105LHJ	.2	103.50
Heritage	R	XR8030103ADY	.2	100.55
	L	XR8030105ADY	.2	103.50
Ivory	R	XR8030103NED	.2	100.55
	L	XR8030105NED	.2	103.50
Pewter	R	XR8013218LGM	.2	87.05
	L	XR8013221LGM	.2	95.80
Sand	R	XR8030103ADX	.2	100.55
	L	XR8030105ADX	.2	103.50

Cloth	R	XR8013219AGM	.2	104.30
Almond	L	XR8013222AGM	.2	102.25
Cashmere	R	XR8013219SDZ	.2	102.25
	L	XR8013222SDZ	.2	112.55
Charcoal	R	XR8013219LEG	.2	102.25
	L	XR8013222LEG	.2	104.30
Pewter	R	XR8013219LGM	.2	102.25
	L	XR8013222LGM	.2	102.25

Leather	R	XR8013217AGM	.2	141.95
Almond	L	XR8013220AGM	.2	141.95
Cashmere	R	XR8013217SDZ	.2	148.05
	L	XR8013220SDZ	.2	141.95
Champagne	R	XR8049250SEL	.2	158.90
	L	XR8049251SEL	.2	158.90
Charcoal	R	XR8030102LEG	.2	150.95
	L	XR8030104LEG	.2	151.75
Cranberry	R	XR8030102CGT	.2	150.95
	L	XR8030104CGT	.2	151.75
Dove	R	XR8030102LHJ	.2	150.95
	L	XR8030104LHJ	.2	151.75
Heritage	R	XR8030102ADY	.2	150.95
	L	XR8030104ADY	.2	151.75
Ivory	R	XR8049250NED	.2	158.90
	L	XR8049251NED	.2	158.90
Oatmeal	R	XR8030102AGD	.2	d146.55
	L	XR8030104AGD	.2	d147.30
Pewter	R	XR8013217LGM	.2	146.30
	L	XR8013220LGM	.2	146.30
Sand	R	XR8030102ADX	.2	150.95
	L	XR8030104ADX	.2	151.75

Order by Application				
4 Shield, Moisture To VIN M91569	R/L	XR8045417-8	#	34.30
From VIN M91570	R/L	XR8045417-8	#	34.30

#w/Trim Panel Removed, Not Included in R&R Trim Panel

5 Trim, Window Frame	R	XR8011188LEG	77.75	
	L	XR8011189LEG	74.85	

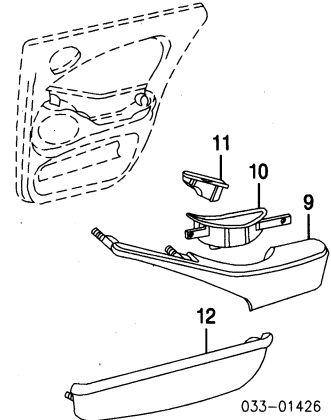
6 Grille, Speaker Almond	R	XR8028029AGM	34.50	
	L	XR8028030AGM	34.50	
Cashmere	R	XR8028029SDZ	34.50	
	L	XR8028030SDZ	34.50	
Champagne	R/L	N.A.	0.00	
Charcoal	R	XR8019574LEG	44.75	
	L	XR8019575LEG	44.75	
Cranberry	R	XR8028029CGT	18.50	
	L	XR8028030CGT	18.50	
Dove	R	XR8028029LHJ	43.35	

Heritage	L	XR8028030LHJ	43.35
	R	XR8028029ADY	19.85
Ivory	L	XR8028030ADY	43.35
	R	XR8028029NED	34.50
Pewter	L	XR8028030NED	34.50
	R	XR8028029LGM	34.50
Sand	L	XR8028030LGM	34.50
	R	XR8028029ADX	43.35
	L	XR8028030ADX	43.35

7 Speaker, Radio To VIN M45254	R/L	XR8011606	#2	192.00
From VIN M45255	R/L	XR8037048	#2	105.75

#w/Trim Panel Removed, Not Included in R&R Trim Panel

8 Emblem, Speaker To VIN N01000	R	XR8025045	48.65
	L	XR8002314	47.95
From VIN N01001	R/L	XR8045642-3	39.80



9 Armrest, Door Almond	R	XR8011672AGM	#2	172.15
	L	XR8011673AGM	#2	172.15
Blond	R	XR8017799SEN	#2	181.35
	L	XR8017800SEN	#2	181.35
Cashmere	R	XR8011672SDZ	#2	172.15
	L	XR8011673SDZ	#2	172.15
Champagne	R	XR8017799SEL	#2	181.35
Ambla Trim	R	XR8017800SEL	#2	181.35
	L	XR8047202SEL	#2	243.50
Leather	L	XR8047204SEL	#2	243.50

Charcoal	R	XR8011672LEG	#2	172.15
Ambla Trim	L	XR8011673LEG	#2	172.15
To VIN M45254	R	XR8017799LEG	#2	205.15
From VIN M45255	L	XR8017800LEG	#2	205.15
Leather	R	XR8047202LEG	#2	243.50
	L	XR8047204LEG	#2	243.50
Cranberry	R	XR8026492CGT	#2	182.40
	L	XR8043905CGT	#2	182.40
Dove	R	XR8017799LHJ	#2	205.15
	L	XR8017800LHJ	#2	205.15
Heritage	R	XR8026492ADY	#2	182.40
	L	XR8043905ADY	#2	182.40

Ivory	R	XR8011672NED	#2	172.15
Ambla Trim	L	XR8011673NED	#2	172.15
To VIN M45254	R	XR8017799NED	#2	205.15
From VIN M45255	L	XR8017800NED	#2	205.15
Leather	R	XR8047202NED	#2	243.50
	L	XR8047204NED	#2	243.50
Pewter	R	XR8011672LGM	#2	172.15
	L	XR8011673LGM	#2	172.15
Sand	R	XR8017799ADX	#2	205.15
	L	XR8017800ADX	#2	205.15

Order by Application
#w/Trim Panel Removed

10 Insert, Armrest Almond	R	XR8013240AGM	21.40
	L	XR8013241AGM	21.40
Blond	R	XR8013240SEN	23.30
	L	XR8013241SEN	23.30
Cashmere	R	XR8013240SDZ	24.60
	L	XR8013241SDZ	21.40
Champagne	R	XR8013240SEL	23.30
	L	XR8013241SEL	23.30
Charcoal	R	XR8013240LEG	21.40
	L	XR8013241LEG	23.30
Dove	R	XR8013240LHJ	23.25
	L	XR8013241LHJ	23.30
Ivory	R	XR8013240NED	21.40
	L	XR8013241NED	21.40
Pewter	R	XR8013240LGM	20.75
	L	XR8013241LGM	20.75
Sand	R	XR8013240ADX	23.25
	L	XR8013241ADX	23.30
Switch, Window	R	XR8002107	102.45
	L	XR8002112	102.45

Finisher, Armrest-See Instrument Panel Section			
Finisher, Upper Door Panel-See Instrument Panel Section			
Ashtrey	R/L	XR8041550-1	28.45

12 Pocket, Door Almond	R	XR8013246AGM	34.65
----------------------------------	---	--------------	-------

JAGUAR S-TYPE 2000-05

REAR DOOR Cont'd

INTERIOR TRIM Cont'd

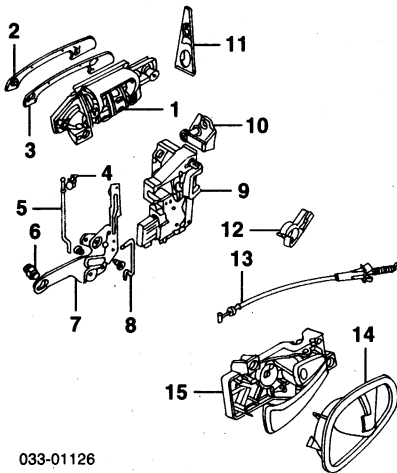
Cashmere	L XR8013247AGM	34.65
	R XR8013246SDZ	34.65
	L XR8021736SDZ	d34.10
Champagne¶	R XR8013246LJG	42.55
	L XR8013246LEG	46.10
Charcoal¶	R XR8013246LHZ	37.20
	L XR8021736LEG	d34.10
Dove	R XR8013246LHZ	46.00
	L XR8013247LHZ	46.00
Granite¶	R XR8013246GP	46.10
	L XR8013247GP	46.10
Ivory¶	R XR8013246NED	34.65
	L XR8013247NED	34.65
Pewter	R XR8013246LGM	35.95
	L XR8021736LGM	d34.10
Sand¶	R XR8013246ADZ	46.00
	L XR8013247ADZ	46.00

¶Order by Application

HARDWARE

Refinish Outside Handle	R/L	.4
Refinish Handle Bezel	R/L	.3
Refinish Upper Door Hinge	R/L	.2
Refinish Lower Door Hinge	R/L	.2
R&I Outside Handle	R/L	#.8

#Includes R&I Trim Panel



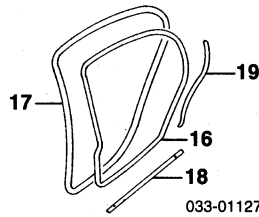
033-01126

1 Handle, Outside

Alpine White	R XR8003623HGF	#.4	110.75
	L XR8003624HGF	#.4	110.75
Anthracite	R XR8003623PED	#.4	110.75
	L XR8003624PED	#.4	110.75
Aspen Green	R XR8003623HGP	#.4	143.70
	L XR8003624HGP	#.4	143.70
Black	R XR8003623PEC	#.4	d107.50
	L XR8003624PEC	#.4	d107.50
British Racing Green	R XR8003623HGD	#.4	110.75
	L XR8003624HGD	#.4	110.75
Carnival	R XR8003623CGG	#.4	110.75
	L XR8003624CGG	#.4	110.75
Emerald	R XR8003623HGG	#.4	110.75
	L XR8003624HGG	#.4	110.75
Meteorite	R XR8003623MDX	#.4	110.75
	L XR8003624MDX	#.4	110.75
Midnight	R XR8028144PEF	#.4	139.95
	L XR8028145PEF	#.4	139.95
Mistral	R XR8003623JHJ	#.4	110.75
	L XR8003624JHJ	#.4	110.75
Pacific Blue	R XR8003623JHM	#.4	110.75
	L XR8003624JHM	#.4	110.75
Platinum	R XR8003623MDZ	#.4	110.75
	L XR8003624MDZ	#.4	110.75
Quartz	R XR8003624LHK	#.4	143.70
	L XR8003623LHK	#.4	143.70
Roman Bronze	R XR8003623BDE	#.4	110.75
	L XR8003624BDE	#.4	110.75
Sapphire	R XR8003623JHE	#.4	110.75
	L XR8003624JHE	#.4	110.75
Seafrost	R XR8003623MDV	#.4	110.75
	L XR8003624MDV	#.4	110.75
Slate Gray	R XR8003623LHL	#.4	143.70
	L XR8003624LHL	#.4	139.95
Spindrift	R XR8003623NEE	#.4	110.75
	L XR8003624NEE	#.4	110.75
Titanium	R XR8003623LGL	#.4	110.75
	L XR8003624LGL	#.4	110.75
Topaz	R XR8003623SEC	#.4	110.75
	L XR8003624SEC	#.4	110.75
Westminster Blue	R XR8003623JHG	#.4	110.75
	L XR8003624JHG	#.4	110.75
White Onyx	R XR8003623NEG	#.4	110.75
	L XR8003624NEG	#.4	110.75
Zircon	R XR8003623JHV	#.4	143.70
	L XR8003624JHV	#.4	143.70

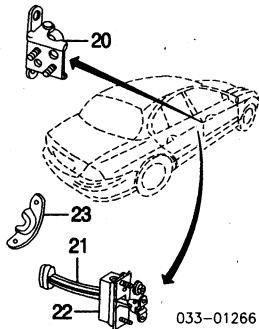
#w/Trim Panel Removed			
2 Bezel, Handle (P)	R XR8003613XXX	35.65	
	L XR8003614XXX	35.65	
(P) Paint to Match			
3 Gasket, Handle	R/L XR8028163	5.65	
4 Clip, Rod	R/L XR8017386	2.05	
5 Rod, Bellcrank/Handle To VIN L55274	R XR8017362	8.15	
	L XR8017363	7.85	
From VIN L55275	R/L XR8017364-5	7.65	
6 Bushing, Bracket	R/L XR8010704	3.45	
7 Bracket, Latch	R XR8017370-69	6.50	
8 Rod, Bellcrank/Latch	R XR8017362	8.15	
	L XR8017363	7.85	
9 Latch, Door¶	R XR8053052	#.3	215.95
	L XR8030126	#.3	223.55
¶Order by Application			
#w/Trim Panel Removed			
10 Striker, Door	R/L XR8018411	.2	36.95
11 Finisher, Lock	R/L XR8001995-6	5.25	
12 Clip, Cable	R/L XR8011821	1.35	
13 Cable, Release	R/L XR8017371-2	15.35	
14 Bezel, Inside Handle			
Almond	R XR8030380AGM	20.90	
	L XR8030381AGM	20.90	
Blond	R/L N.A.	0.00	
Cashmere	R XR8030380SDZ	20.90	
	L XR8030381SDZ	20.90	
Champagne	R/L N.A.	0.00	
Charcoal	R XR8030380LEG	20.90	
	L XR8030381LEG	20.90	
Cranberry	R/L N.A.	0.00	
Dove	R/L N.A.	0.00	
Heritage	R/L N.A.	0.00	
Ivory	R XR8030380NED	20.90	
	L XR8030381NED	20.90	
Pewter	R/L XR8030380LGM	20.90	
	R/L N.A.	0.00	
15 Sand, Inside	R XR8028165	#.3	102.60
	L XR8028167	#.3	102.60

#w/Trim Panel Removed



033-01127

16 Seal, Door Opening On Door	R/L XR8053721	.6	37.05
17 Weatherstrip, Rear Door Opening-See Rocker/Pillars/Floor Section	R/L XR8035586	.2	16.75
18 Seal, Lower	R XR8025475	.2	29.10
19 Seal, Rear	L XR8025476	.2	62.55



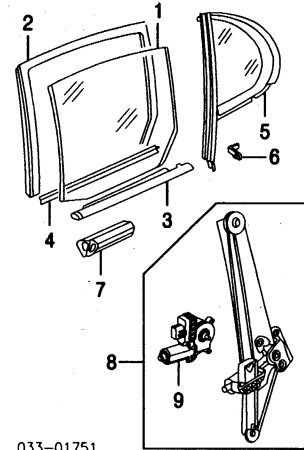
033-01266

20 Hinge, Door Upper	R/L XR8042634	#.5	51.65
Lower	R/L XR8013830	#.5	0.00
#w/Door Assy Removed			
21 Check, Door	R/L XR8044646	#.2	20.45
#w/Trim Panel Removed			
22 Seal, Door Check	R/L XR8013301		3.85
23 Catch, Door	R/L XR8006250		4.55

GLASS & PARTS

Illustration Located in Next Column

1 Glass, Rear Door Jaguar (Tint)	R/L XR8002483-4	1.7	162.95
	R FD20793GTY	1.7	191.55
	L FD20794GTY	1.7	191.55
2 Channel, Glass¶ To VIN M47813	R/L XR8025645-6	#.3	120.45
From VIN M47814	R/L XR8042605-6	#.3	87.45
¶Order by Application			



033-01751

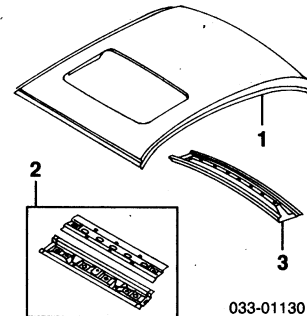
#w/Glass Removed			
3 Moulding, Outer Belt-See Exterior Trim Section			
4 Moulding, Inner Belt-See Interior Trim Section			
5 Glass, Rear Door Vent Jaguar (Tint)	R/L XR8030452-3	#.3	184.60
NAGS (Tint) w/Attachment	R FV20795GTY	#.3	0.00
	L FV20796GTY	#.3	0.00
w/o Attachment	R FV20795GTN	#.3	0.00
	L FV20796GTN	#.3	0.00
#w/Rear Door Glass Removed			
6 Bracket, Glass (2/Side)	R/L XR8036004		23.05
7 Buffer, Glass	R/L GJAO01718AB		0.00
8 Regulator Assy, Window¶ To VIN M45254	R/L XR8037316-7	#.7	133.15
From VIN M45255	R XR8041311	#.7	188.10
	L XR8047230	#.7	187.55
¶Order by Application			
9 Motor, Window (a) To VIN M45254	R/L XR8048088-9		81.20
From VIN M45255	R/L XR8048099-100		81.20
(a) Included w/Window Regulator Assy			
#w/Trim Panel Removed			

ROOF

Use Procedure Explanations 17 and 28 with the following text.

SHEET METAL

Refinish Roof Outside	3.0
-----------------------	-----



033-01130

1 Panel, Roof w/Sunroof	JLMO20748	24.5	805.00
w/o Sunroof	XR8007682	21.5	825.00
2 Panel, Front Header To VIN M45254	XR8026924	2.5	116.30
From VIN M45255	XR8028489	2.5	112.35
3 Panel, Rear Header	XR8029592	2.5	57.65

INTERIOR TRIM

R&I Headliner w/Sunroof	5.8
w/o Sunroof	5.5

Illustration Located in Next Column

1 Headliner¶ w/Sunroof			
Almond	XR8035409AGM	5.8	2000.00
Champagne	XR8047971SEL	5.8	600.00
Gray	XR8035408LFI	5.8	2000.00
Oatmeal	XR8047971AGD	5.8	600.00
w/o Sunroof			

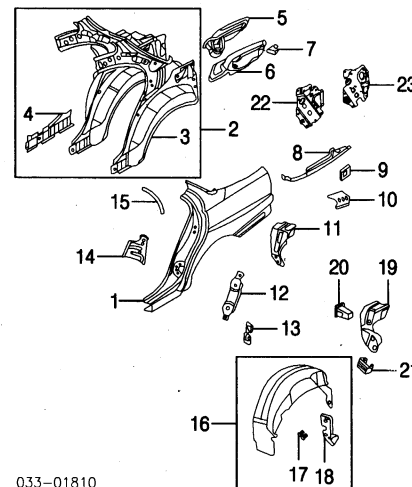
2 Seal, Glass Adhesive XR8014389 87.80
N.A. 0.00

QUARTER PANEL

Use Procedure Explanations 20 and 28 with the following text.

SHEET METAL

Refinish Quarter Outside.....	R/L	2.1
Add to Edge Panel.....	R/L	.5
Add for Pillar.....	R/L	.5
Refinish Fuel Door.....	R/L	#.4
#Included in Refinish Right Quarter Outside		
R&R Both Quarter Panels.....		27.6
R&R Roof & Both Quarter Panels		
w/Sunroof.....		44.2
w/o Sunroof.....		41.2
R&R Rear Body Panel & Both Quarter Panels		29.6
R&R Roof, Both Quarters & Rear Body Panel		
w/Sunroof.....		46.2
w/o Sunroof.....		43.2
Add to R&R Quarter Panel		
To R&I Back Glass.....		.4



033-01810

1 Panel, Outer Quarter	00-03 R	XR8031788	#17.0	426.00
	L	XR8031789	#16.5	426.00
	04-05 R	XR8047921	#17.0	775.00
	L	XR8047922	#16.5	384.00

#Deduct 5.7 w/Roof Removed, Deduction Includes Common Surfaces & Included Operations

2 Panel Assy, Inner Quarter				
To VIN M45254	R/L	XR8026899-9	s	7.5 740.00
From VIN M45255 to VIN N13088	R	XR8028428	s	7.5 705.00
	L	XR8028431	s	7.5 705.00
From VIN N13089	R	XR8045408	s	7.5 735.00
	L	XR8032911	s	7.5 735.00

3 Panel, Inner Quarter				
To VIN M45254	R/L	XR8025610-1	s	6.0 147.25
From VIN M45255 to VIN N13088	R	XR8028692	s	6.0 705.00
	L	XR8041276	s	6.0 680.00
From VIN N13089	R	XR8051425	s	6.0 152.10
	L	XR8051426	s	6.0 151.85

4 Reinforcement, Inner Panel				
To VIN M45254	R/L	XR8055993-4	1.0	24.95
From VIN M45255	R/L	XR8024876-7	1.0	33.30

#Included w/Inner Quarter Panel Assy

5 Door, Fuel	00-03 R	XR8025609	.4	30.30
	04-05 R	XR8045523	.4	63.35
	00-03 R	JLM021082		35.35
	04-05 R	XR8044215		30.45
7 Striker, Fuel Door	R	XR8018050	.2	3.30
8 Channel, Drain	00-03 R/L	XR8006204-5		29.00
	04-05 R	XR8054426		60.75
	L	XR8051429		60.75

9 Reinf, Mounting	R/L	XR8006185		17.10
10 Bracket, Mounting	R/L	XR8037881-2		17.65
11 Bracket, Retaining	00-03 R/L	XR8027816		13.15
	04-05 R/L	XR8043145		26.00

12 Reinf, Rear Panel	R/L	XR8012878		74.75
13 Plate, Rear Door	R/L	XR8006155		4.10
14 Reinf, Striker	R/L	XR8006002-3	.5	9.80
15 Reinf, Upper Panel	R	XR8015027		7.50
	L	XR8015028		4.15

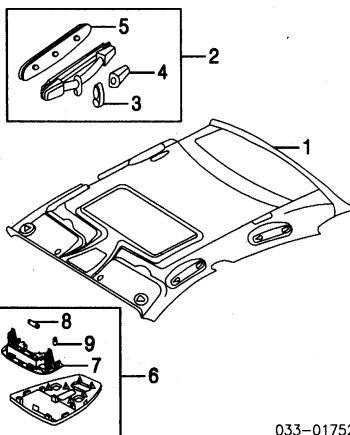
16 Liner Assy, Wheelhouse				
To VIN M45254	R/L	XR8018376-7	.3	101.80
From VIN M45255 to VIN N13088	R/L	XR8042127-8	.3	131.80
From VIN N13089	R/L	XR8037524-5	.3	51.75

17 Bracket, Liner (a)	R	XR8002200		11.80
	L	XR8002201		12.50
18 Retainer, Liner (a) (2/Side)	R/L	XR8002059		1.75

(a) Included w/Wheelhouse Liner Assy

19 Bracket, Quarter	L	XR8043145		26.00
20 Nut, Bracket				
To VIN M59999	L	XR8035236		1.20
From VIN M56000	L	XR8037555		1.00

21 Nut, Cage (2/Side)	R/L	XR8007807		4.0
22 Bracket, Rear Side				



033-01752

Almond	XR8032376AGM	5.5	2000.00
Champagne	XR8047968SEL	5.5	600.00
Gray	XR8030018LFJ	5.5	600.00
Oatmeal	XR8047968AGD	5.5	600.00

#Order by Application

2 Handle Assy, Assist

Front			
Almond	R/L	XR8018539AGM	.2 43.75
Champagne	R/L	XR8034990SEL	.2 43.75
Gray			
To VIN L52822	R/L	XR8007043LFJ	.2 43.85
From VIN L2823 to VIN M45254	R/L	XR8018539LFJ	.2 43.75
From VIN M45255	R/L	XR8034990LFJ	.2 43.75
Oatmeal	R/L	XR8034990AGD	.2 43.75

Rear			
Almond			
To VIN L52822	R/L	XR8007044AGM	.2 43.85
From VIN L52823	R/L	XR8018540AGM	.2 43.75
Champagne	R/L	XR8034991SEL	.2 43.75
Gray	R/L	XR8018540LFJ	.2 43.75
Oatmeal	R/L	XR8034991AGD	.2 43.75

3 Hook, Coat (a)

Almond	R/L	XR8011680AGM	7.90
Champagne	R/L	XR8034983SEL	7.40
Gray			
To VIN M45254	R/L	XR8011680LFJ	7.90
From VIN M45255	R/L	XR8034983LFJ	7.40
Oatmeal	R/L	XR8034983AGD	7.40

4 Cover, Handle (a)

Almond	R/L	XR8011681AGM	5.65
Gray	R/L	XR8011681LFJ	5.95

5 Bezel, Handle (a)

Champagne	R	XR8034986SEL	5.50
	L	XR8034985SEL	5.50
Gray	R	XR8034986LFJ	5.50
	L	XR8034985LFJ	5.45
Oatmeal	R	XR8034986AGD	5.50
	L	XR8034985AGD	5.50

(a) Included w/Assist Handle Assy

6 Housing Assy, Console

w/Sunroof			
Almond	XR8026443AGM	.3	38.50
Gray	XR8026443LFJ	.3	49.55
w/o Sunroof			
Almond	XR8007048AGM	.3	49.40
Gray	XR8007048LFJ	.3	49.40

7 Housing, Bulb (b)

C2S002298			10.40
-----------	--	--	-------

8 Bulb, Map Lamp (b) (2)

C2S015950			1.80
-----------	--	--	------

9 Bulb, Courtesy Lamp (b)

C2S010346			1.95
-----------	--	--	------

(b) Included w/Console Housing Assy

Switch, Sunroof	XR8008743		27.05
Switch, Map Lamp (2)	XR8013125		23.05

Switch, Combination			
w/Distance Sensor	XR8002131		65.05
w/o Distance Sensor			
w/Sun Blind	XR8002132		68.50
w/o Sun Blind	XR8002129		56.85

#Order by Application

SUNROOF

O/H Sunroof Assy #4.5

#w/Headliner Removed

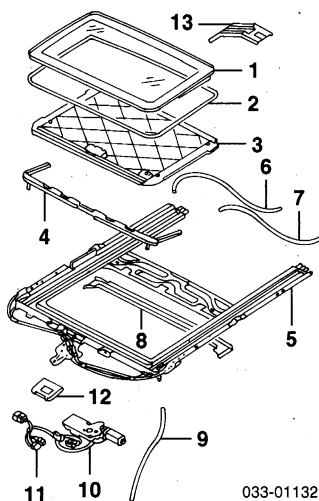
NOTE: All Parts in this section are included in overhaul unless noted otherwise.

Illustration Located in Next Column

1 Glass, Sunroof	XR8041582	#1.2	245.75
2 Seal, Glass	XR8013177	#1.2	47.00

#R&R Complete

3 Panel, Sunroof Trim			
Almond	XR8013179AGM		176.45
Champagne	XR8041571SEL		190.05
Gray			
To VIN M45254	XR8013179LFJ		176.45



033-01132

From VIN M45255 to VIN M93933	XR8036233LFJ	191.05
From VIN M93934	XR8041571LFJ	183.45
Oatmeal		
To VIN M93933	XR8041571AGD	183.45
From VIN M93934	XR8041571AGD	183.45
XR8013534		.7 57.65

4 Deflector, Sunroof

5 Mechanism, Sunroof

To VIN M45254	XR8027567	#4.5 375.00
From VIN M45255	XR8039122	#4.5 0.00

#w/Headliner Removed

Shield, Cover

To VIN N13088	R/L	XR8009175-6	12.80
From VIN N13089	R/L	XR8050344-5	40.15

6 Tube, Right Rear Drain

		XR8041720	16.40
--	--	-----------	-------

7 Tube, Left Rear Drain

		XR8041721	16.40
--	--	-----------	-------

#Order by Application

8 Reinf, Sunroof

		XR8013178	67.20
--	--	-----------	-------

9 Tube, Front Drain

To VIN L52822		XR8002205	11.70
From VIN L52823		XR8018545	12.25

#Order by Application

10 Motor, Sunroof

To VIN M45254		XR8009170	.9 237.80
From VIN M45255		XR8039121	.9 207.00

11 Harness, Sunroof

		XR8009171	114.90
--	--	-----------	--------

12 Module, Motor

		XR8009177	131.00
--	--	-----------	--------

13 Support, Sunroof

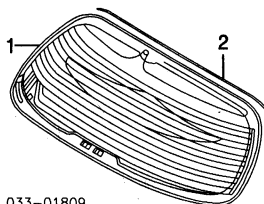
R/L		XR8002198	2.35
-----	--	-----------	------

BACK WINDOW

Use Procedure Explanation 19 with the following text.

R&I Back Window Glass.....		#3.9
----------------------------	--	------

#Includes Clean Up Old Adhesive as Necessary



033-01809

1 Glass, Back Window

Jaguar (Tint)			
2000-02			
To VIN L77674	XR8002222	#3.5	423.00
From VIN L77675	XR8025751	#3.5	441.00

2003-05

w/TV			
w/Diversity Antenna	XR8027544	#3.5	400.00
w/o Diversity Antenna	XR8044666	#3.5	353.00

w/TV			
w/Diversity Antenna	XR8044665	#3.5	353.00
w/o Diversity Antenna	XR8044664	#3.5	353.00

NAGS (Tint)

2000-02			
w/Navigation System	FB21428GTJ	#3.5	0.00
w/Attachment	FB21428GTN	#3.5	676.70

w/o Attachment			
w/Attachment	FB20797GTJ	#3.5	742.05
w/o Attachment	FB20797GTN	#3.5	742.05

2003-05

w/TV			
w/Diversity Antenna	FB22013GTN	#3.5	770.25
w/o Diversity Antenna	FB22012GTN	#3.5	770.25

w/TV			
w/Diversity Antenna	FB22011GTN	#3.5	770.25
w/o Diversity Antenna	FB22010GTN	#3.5	668.90

#Order by Application

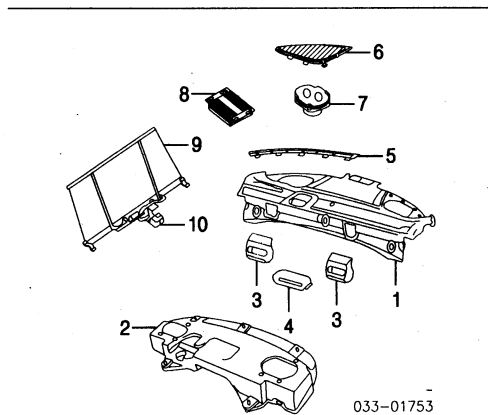
#Includes Clean Up Old Adhesive

JAGUAR S-TYPE 2000-05

QUARTER PANEL Cont'd

SHEET METAL Cont'd		
Right	R XR8037917	20.15
Left		
To VIN L77674	L XR8008462	47.40
From VIN L77675 to VIN L86901	L XR8019670	23.15
From VIN L86902 to VIN M45254	L XR8027942	14.25
From VIN M45255	L XR8025790	19.90
23 Brace, Side	R XR8013812	7.00
	L XR8047866	17.60

INTERIOR TRIM

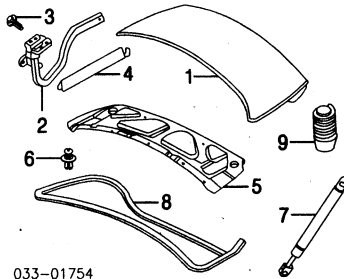


1 Trim, Parcel Shelf			
w/Premium Sound			
w/Child Restraint & Window Blind	XR802704LEG	#.4	1800.00
w/o Child Restraint & Window Blind	XR8018876LEG	#.4	408.00
w/o Premium Sound			
w/Child Restraint & Window Blind	XR802704LEG	#.4	1800.00
w/o Child Restraint & Window Blind	XR8027041LEG	#.4	371.00
*Order by Application			
*w/Rear Seat Assy Removed			
2 Enclosure, Shelf	JLM021059		69.55
3 Latch, Rear Seat			
Almond	R/L JLM021091AGM		29.20
Charcoal	R/L JLM021091LEG		29.55
Cashmere	R/L JLM021091SDZ		29.20
Pewter	R/L JLM021091LGM		29.20
4 Bezel, Center			
Almond	XR8001421AGM		4.85
Blond	C2S029591SEN		5.20
Cashmere	XR8001421SDZ		4.85
Champagne	C2S029591SEL		5.20
Charcoal	XR8001421LEG		4.85
Dove	C2S027051LHJ		5.80
Pewter	XR8001421LGM		4.85
Sand	C2S029591ADX		5.20
5 Grille, Vent			
Almond	R JLM021089AGM		85.70
	L JLM021090AGM		85.70
Charcoal	R JLM021089LEG		85.70
	L JLM021090LEG		85.70
Cashmere	R JLM021089SDZ		85.70
	L JLM021090SDZ		85.70
Pewter	R JLM021089LGM		77.75
	L JLM021090LGM		85.50
6 Grille, Speaker			
Almond	R JLM021087AGM		46.05
	L JLM021088AGM		46.05
Cashmere	R JLM021087SDZ		46.05
	L JLM021088SDZ		51.50
Charcoal	R JLM021087LEG		46.05
	L JLM021088LEG		46.05
Pewter	R JLM021087LGM		44.35
	L JLM021088LGM		44.35
7 Speaker, Sub-Woofers			
To VIN M45254	R/L XR8011428		208.60
From VIN M45255	R/L C2C020471		197.80
8 Amplifier, Audio	XR8017788		158.50
9 Sun Blind, Rear Window			
Manual			
Almond	JLM021464AGM		302.00
Cashmere	JLM021464SDZ		302.00
Charcoal	JLM021464LEG		302.00
Pewter	JLM021464LGM		302.00
Power			
Almond	JLM021092AGM		625.00
Cashmere	JLM021092SDZ		260.00
Charcoal	JLM021092LEG		625.00
Pewter	JLM021092LGM		625.00
10 Module, Control			
To VIN M45254	JLM021093		238.30
From VIN M45255	XR8034890		257.00

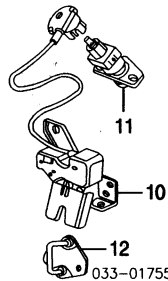
LUGGAGE LID

Use Procedure Explanations 24 and 28 with the following text.

Refinish Luggage Lid		2.4
Add for Underside		1.2
Refinish Hinge	R/L	.2
R&I Lid Assy		.6



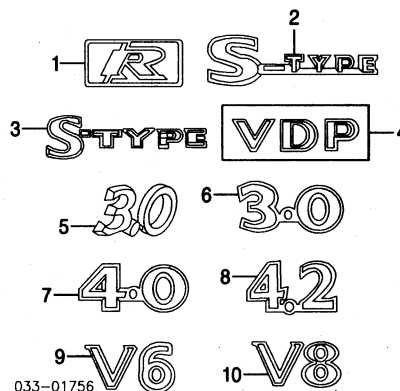
1 Lid, Luggage			
To VIN L52822	XR8007077	2.0	555.00
From VIN L52823 to VIN L86901	XR8026933	2.0	540.00
From VIN L86902 to VIN M45254	XR8026933	2.0	540.00
From VIN M45255 to VIN N13088	XR8028678	2.0	540.00
From VIN N13089			
w/Supercharger	XR8045609	2.0	540.00
w/o Supercharger	XR8043492	2.0	540.00
2 Hinge, Lid	R/L XR8019327-8	#.3	201.35
*w/Luggage Lid Removed			
3 Bolt, Mounting	R/L XR8006107		2.75
4 Spring, Hinge	R/L XR8045405		12.50
Cover, Hinge	R/L XR8001973		7.85
5 Insulator, Lid			
To VIN L86901			
w/Warning Triangle	XR8014155LFN	.4	129.75
w/o Warning Triangle	XR8034999	.4	118.30
From VIN L86902 to VIN N29699	XR8047867	.4	118.30
From VIN N297001			
w/Warning Triangle	XR8034999	.4	118.30
w/o Warning Triangle	XR8034998	.4	122.60
*Order by Application			
6 Clip, Attaching (14)	XR8007575		.50
7 Strut, Gas			
To VIN N13088	XR8047319	.3	72.25
From VIN N13089	XR8047319	.3	72.25
8 Weatherstrip, Lid			
To VIN N13088	XR8051435	.8	60.95
From VIN N13089	XR8051435	.8	60.95
9 Buffer, Lid (4)	XR8010584		10.10



10 Actuator, Latch	XR8030399	#.2	50.20
Switch, Lid Release-See Rear Lamps Section			
11 Cylinder, Lock	XR8013315	#.2	152.90
*w/Lid Insulator Removed			
12 Striker, Latch	XR8006256	.2	9.20

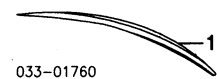
EXTERIOR TRIM

Refinish Spoiler		.6
R&I Spoiler		#.8
*Includes R&I/R&R Insulator		



Nameplate (Adhesive)			
1 "R"	XR8037159	.2	29.40
"S-TYPE"			
2 To VIN M45254	XR8008868	.2	29.85
3 From VIN M45255	XR8016807	.2	29.25

4 "VDP"	C2S039653	.2	29.00
"3.0"			
5 To VIN M45254	XR8008871	.2	29.25
6 From VIN M45255	C2S004026	.2	24.05
7 "4.0"	XR8008872	.2	29.25
8 "4.2"	XR8043804	.2	30.80
9 "V6"	XR8016808	.2	29.40
10 "V8"	XR8016809	.2	29.40



11 Spoiler (P)			
To VIN N13088	XR8022837XXX	#.8	410.00
From VIN N13089	XR8037448XXX	#.8	421.00
*Paint to Match			
#Includes R&I/R&R Insulator			

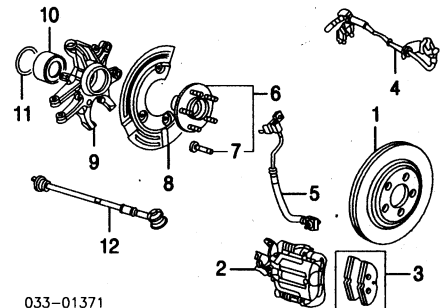
REAR SUSPENSION

Use Procedure Explanation 23 with the following text.

R&I Suspension/Rear Crossmember Assy		m	3.6
O/H Suspension (Includes R&I)			
One Side	R/Lm		3.7
Both Sides			7.2
R&R Brake Rotor	R/Lm		.9
Adjust Four Wheel Alignment			1.6
Adjust Rear Alignment			1.0
Bleed Brake System			.6

NOTE 1: R&I/R&R or O/H Does Not include alignment or bleed brake system.

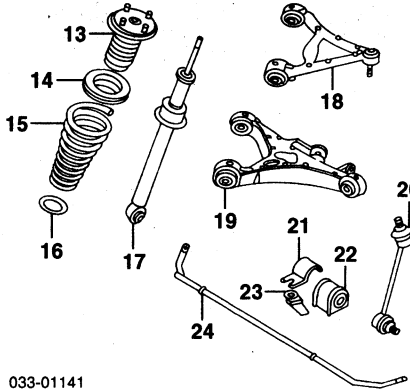
NOTE 2: All Parts in this section are included in overhaul unless noted otherwise.



1 Rotor Set, Brake			
To VIN M01612	JLM020802	m	# 121.95
From VIN M01613 to VIN M45254	XR8027087	m	# 166.30
From VIN M45255			
3.0L Eng	XR8027087	m	# 166.30
4.2L Eng			
w/Supercharger	C2C008356	m	# 569.00
w/o Supercharger	XR8027087	m	# 166.30
*See Headnote for Labor One Side			
2 Caliper, Brake			
To VIN M45254	R/L JLM021461-2	m	#.5 505.00
From VIN M45255			
w/Supercharger			
w/Electric Park Brake	R/L C2C011643-4	m	#.5 535.00
w/o Electric Park Brake	R C2C008357	m	#.5 515.00
	L C2C008359	m	#.5 515.00
*R&R Both Sides .8			
3 Pad Set, Brake			
To VIN M45254	XR8012436	m	#1.0 83.85
From VIN M45255			
w/Supercharger			
w/Electric Park Brake	C2C013800	m	#1.0 127.25
w/o Electric Park Brake	C2C024016	m	#1.0 282.00
w/o Supercharger	C2C022316	m	#1.0 131.60
*Deduct .5 for Each Caliper Removed			
4 Sensor, Rear ABS-See ABS/Brakes Section			
5 Hose, Brake			
To VIN M45254	R/L C2C003558-9	m	#.3 34.60
From VIN M45255			
3.0L Eng	R XR8038511	m	#.3 34.05
	L XR8043131	m	#.3 32.80
4.2L Eng			
w/Supercharger	R/L XR8028045-6	m	#.3 30.30
w/o Supercharger	R XR8038511	m	#.3 34.05
	L XR8043131	m	#.3 32.80
*Order by Application			
*w/Caliper Removed Deduct .2			
6 Hub Assy, Wheel	R/L C2C019616	m	#1.2 53.90
*Includes R&R Brake Rotor			
7 Stud, Wheel (a) (S/ide)	R/L XR8025192	m	4.90
(a) Included w/Wheel Hub Assy			
Nut, Wheel Hub			
To VIN M45254	R/L XR8001695		19.00
From VIN M45255	R/L XR8027062		12.50
8 Shield, Splash			
	R XR8002135	m	#.2 5.15
	L XR8002136	m	#.2 5.70
*w/Rotor Removed			
9 Knuckle			
To VIN M45254	R/L XR8001789-90	m	#2.0 415.00

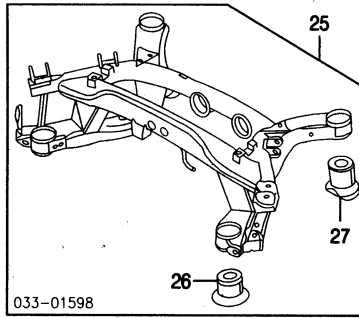
JAGUAR S-TYPE 2000-05

From VIN M45255	R/L C2C001120-1	m #2.0	488.00
3.0L Eng			
4.2L Eng			
w/Supercharger	R C2C005459	m #2.0	488.00
	L C2C005460	m #2.0	444.00
w/o Supercharger	R/L C2C001120-1	m #2.0	488.00
10 Bearing, Hub	R/L XR8001723	m #2.0	43.40
11 Clip, Bearing			
To VIN M45254	R/L XR8002684	m #2.0	4.90
From VIN M45255	R/L C2C006632	m #2.0	2.75
#R&R One Side Complete, R&R Both Sides 3.8, Includes R&R Rotor & Wheel Hub Assy			
12 Link, Rear Stabilizing			
To VIN M07499	R/L XR8025750	m #7	153.15
From VIN M07500 to VIN M45254	R/L C2C024305	m #7	104.05
From VIN M45255	R/L C2C024305	m #7	104.05
#R&R Both Sides 1.2			



033-01141

13 Plate, Upper Mount	R/L XR8045905	m #1.4	59.15
14 Isolator, Spring	R/L XR8012984	m #1.4	16.05
15 Spring, Coil			
To VIN M45254			
w/Adaptive Damping Cont Susp	R/L XR8011176	m #1.4	68.35
w/o Adaptive Damping Cont Susp	R/L XR8011174	m #1.4	56.80
From VIN M45255			
w/Adaptive Damping Cont Susp	R/L XR8016960	m #1.4	68.35
3.0L Eng			
4.2L Eng			
w/Supercharger	R/L XR8026827	m #1.4	68.35
w/o Supercharger	R/L XR8016960	m #1.4	68.35
w/o Adaptive Damping Cont Susp	R/L XR8016958	m #1.4	68.35
16 Spacer, Spring	R/L MJA2162AA	m #1.4	2.30
17 Absorber, Shock			
To VIN M45254			
w/Adaptive Damping Cont Susp	R/L XR8012983	m #1.4	315.00
w/o Adaptive Damping Cont Susp	R/L XR8011180	m #1.4	139.75
From VIN M45255			
w/Adaptive Damping Cont Susp	R/L XR8036884	m #1.4	315.00
3.0L Eng			
4.2L Eng			
w/Supercharger	R/L XR8036885	m #1.4	429.00
w/o Supercharger	R/L XR8036888	m #1.4	315.00
w/o Adaptive Damping Cont Susp			
3.0L Eng			
w/Sport Susp	R/L XR8036886	m #1.4	139.75
w/o Sport Susp	R/L XR8036883	m #1.4	139.75
4.2L Eng			
w/Sport Susp	R/L XR8036889	m #1.4	139.75
w/o Sport Susp	R/L XR8036887	m #1.4	139.75
#R&R One Side Complete, R&R Both Sides 2.6			
18 Arm, Upper Control			
To VIN N13088	R/L XR8048942-3	m #7	432.00
From VIN N13089	R/L XR8048942-3	m #7	432.00
#w/Knuckle Removed Deduct .4, R&R Both Sides 1.2			
19 Arm, Lower Control			
To VIN M45254	R/L XR8008759-60	m #1.5	965.00
From VIN M45255 to VIN M91937	R XR8029471	m #1.5	825.00
	L C2C010437	m #1.5	835.00
From VIN M91938	R C2C010435	m #1.5	835.00
	L C2C010437	m #1.5	835.00
#w/Knuckle Removed Deduct .7, R&R Both Sides 2.8			
20 Link, Stabilizer Bar	R/L XR8001692-3	m #4	30.60
#Not Included in OH			
21 Clamp, Bushing	R/L XR8001837	m #	7.25
22 Bushing, Bar			
To VIN M45254	R/L C2C012744	m #	43.15
From VIN M45255			
3.0L Eng	R/L C2C020469	m #	8.65
4.2L Eng			
w/Supercharger	R/L C2C012744	m #	43.15
w/o Supercharger	R/L C2C020470	m #	8.65
23 Nut, Bushing	R/L XR8001753	m #	8.15
#Not Included in OH			
24 Bar, Stabilizer			
To VIN M45254	XR8001765	m #8	309.00
From VIN M45255			
3.0L Eng	XR8003524	m #8	316.00
4.2L Eng			
w/Supercharger	C2C004318	m #8	316.00
w/o Supercharger	C2C009967	m #8	316.00
#Includes R&R Bushings & Links, Not Included in OH			

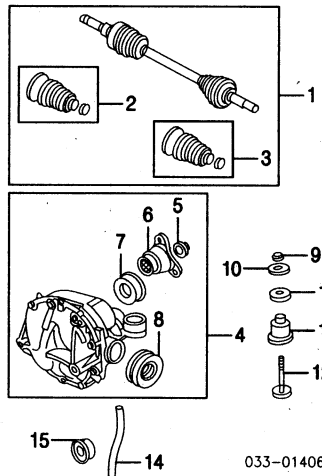


033-01598

25 Crossmember Assy, Rear			
To VIN M02839	XR8013273	m	4.7 855.00
From VIN M02840 to VIN M45254	XR8031985	m	4.7 830.00
From VIN M45255	XR8035885	m	4.7 0.00
26 Bushing, Front Mount (b) (2)	XR8018140	m	43.45
27 Bushing, Rear Mount (b) (2)	C2C025613	m	43.00
<i>(Order by Application)</i>			
<i>(b) Included w/Rear Crossmember Assy</i>			

REAR DRIVE AXLE

R&I Axle Shaft Assy R/Lm #1.0
#w/Necessary Suspension Components Removed



033-01406

1 Shaft Assy, Axle			
3.0L Eng			
To VIN M45254	R XR8006853	m #1.0	560.00
From VIN M45255	L XR8006855	m #1.0	560.00
	R C2C022868	m #1.0	595.00
4.0L Eng	L C2C022870	m #1.0	595.00
4.2L Eng	R/L XR8002893-4	m #1.0	765.00
w/Supercharger	R C2C022869	m #1.0	635.00
	L C2C022871	m #1.0	640.00
w/o Supercharger	R C2C022868	m #1.0	595.00
	L C2C022870	m #1.0	595.00
#w/Necessary Suspension Components Removed			
2 Boot Kit, Outer			
3.0L Eng	R/L XR8011147	m #5	59.50
4.0L Eng	R/L XR8009653	m #5	57.00
4.2L Eng			
w/Supercharger	R/L C2C006707	m #5	57.00
w/o Supercharger	R/L C2C006705	m #5	56.00
3 Boot Kit, Inner			
3.0L Eng	R/L XR8011145	m #5	59.50
4.0L Eng	R/L XR8011146	m #5	57.00
4.2L Eng			
w/Supercharger	R/L C2C006707	m #5	57.00
w/o Supercharger	R/L C2C006706	m #5	56.00
<i>#Included w/Axle Shaft Assy</i>			
#w/Axle Shaft Assy Removed			
4 Differential Assy (b)			
Man Trans			
New	XR8001872N	m	3.3 2250.00
Remanufactured	XR8001872E	m	3.3 d1050.00
Auto Trans			
New	XR8001871N	m	3.3 1900.00
Remanufactured	XR8001871E	m	3.3 d1050.00
<i>(b) Order by Application</i>			
5 Nut, Pinion (a)	XR8005967	m	7.05
6 Flange, Axle (a)			
To VIN M45254	XR8003490	m	57.00
From VIN M45255	XR8026315	m	57.70
7 Seal, Pinion (a)	C2S001490	m	7.35
8 Seal, Output Shaft (a)			
To VIN M45254	R/L XR8003492	m	6.85
From VIN M45255	R/L XR8021244	m	9.00
<i>(a) Included w/Differential Assy</i>			

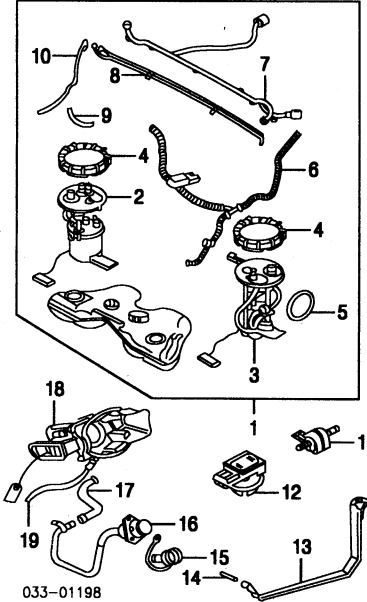
9 Nut, Insulator	XR8002832	m	3.80
10 Shim, Upper	XR8007235	m	3.85
11 Insulator, Upper			
To VIN M45254	XR8018452	m	4.60
From VIN M45255	C2C008221	m	16.85
12 Bolt, Insulator	XR8018603	m	7.05
13 Insulator, Lower			
To VIN M45254	XR8018453	m	13.30
From VIN M45255	C2C001780	m	51.05
14 Tube, Breather	XR8001873	m	.40
15 Insulator, Rear	R/L XR8013260	m	14.40

FUEL TANK

TO VIN M45254

R&I Fuel Tank Assy 3.0

NOTE: R&R Does Not include drain and refill.



033-01198

1 Tank Assy, Fuel	XR8029744	m	3.2 1100.00
2 Pump, Fuel	XR8022164	m	#1.0 416.00
3 Gauge, Tank	XR8043822	m	#1.0 278.00
#R&R Complete, Included in R&R Fuel Tank			
4 Ring, Retaining (2)	XR8007952	m	5.55
5 Gasket, Tank (4)	XR8005049	m	5.95
6 Hose, No. 1 Vapor	XR8008354	m	42.10
7 Harness, Tank	XR8013935	m	59.25
8 Hose, Tank			
To VIN L77999	XR8007950	m	65.50
From VIN L78000	XR8018401	m	65.50
9 Hose, No. 2 Vapor	XR8007955	m	15.00
10 Hose, Fuel	XR8008342	m	23.85
<i>#Included w/Fuel Tank Assy</i>			
11 Filter, Fuel	XR8001775	m	21.70
12 Transducer, Tank	XR8005035	m	127.35
13 Strap, Fuel Tank	R/L XR8001829	m	12.95
14 Pin, Hinge	R/L XR8002815	m	6.00
15 Cap, Filler	XR8019276	m	15.25
16 Pipe, Fuel Filler (a)			
Unleaded Fuel	XR8001702	m	.8 84.25
Leaded Fuel	XR8001785	m	.8 84.25
<i>(a) Order by Application</i>			
17 Hose, Fuel Filler	XR8001777	m	42.10
18 Housing, Filler	XR8018412	m	81.70
19 Pipe, Overflow	XR8008644	m	4.70

FROM VIN M45255

R&I Fuel Tank Assy 3.0

NOTE: R&R Does Not include drain and refill.

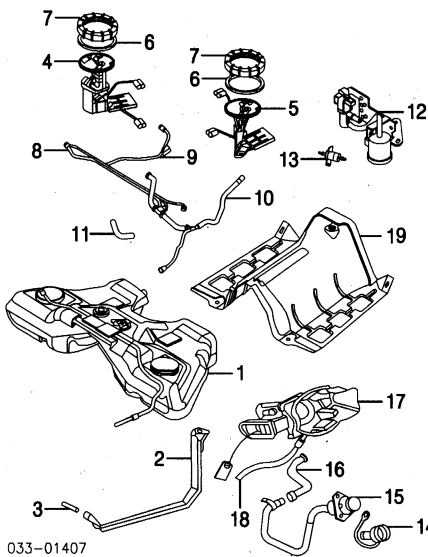
Illustration Located in Next Column

1 Tank, Fuel			
3.0L Eng			
From VIN M45254 to VIN N3248	XR8052385	m	3.2 1000.00
From VIN N3249	XR8052385	m	3.2 1000.00
4.2L Eng			
w/Supercharger			
From VIN M45254 to VIN N3248	XR8052346	m	3.2 1000.00
From VIN N3249	XR8052346	m	3.2 1000.00
w/o Supercharger			
From VIN M45254 to VIN N3248	XR8052385	m	3.2 1000.00
From VIN N3249	XR8048109	m	3.2 1000.00
2 Strap, Fuel Tank	R/L XR8022434	m	12.25
3 Pin, Strap	R/L XR8002815	m	6.00
4 Pump, Fuel			

JAGUAR S-TYPE 2000-05

FUEL TANK Cont'd

FROM VIN M45255 Cont'd



033-01407

3.0L Eng 4.2L Eng w/Supercharger] R/L w/o Supercharger	XR8049201	m #1.0	416.00
<i>Order by Application</i>			
5 Gauge, Tank	XR8049198	m #1.0	350.00
#R&R Complete, Included in R&R Fuel Tank			
6 Seal, Retaining Ring (2)	XR8005049		5.95
7 Ring, Retaining (2) To VIN N13088 From VIN N13089	XR8007952 XR8048120	5.55 d1.95	
8 Hose, Fuel 3.0L Eng 4.2L Eng w/Supercharger w/o Supercharger	XR8031011 XR8031012 XR8031011 XR8047022	42.10 42.10 42.10 m	42.35
9 Harness, Fuel Pump	XR8047022	m	42.35
10 Pipe, Vapor w/Supercharger w/o Supercharger	XR8031021 XR8031022	61.75 61.75	
11 Hose, Vapor	XR8007955	15.00	
12 Valve, Purge	XR8030786	74.50	
13 Filter, Fuel	XR8001775	21.70	
14 Cap, Filler To VIN N13088 From VIN N13089	XR8019276 C2C024963	15.25 d13.95	
15 Pipe, Fuel Filler] Unleaded Fuel Leaded Fuel	XR8018982 XR8018984	.8 .8	84.25 84.25
<i>Order by Application</i>			
16 Hose, Fuel Filler To VIN N13088 From VIN N13089	XR8001777 XR8042560	42.10 42.10	
17 Housing, Filler To VIN N13088 From VIN N13089	XR8018412 XR8051823	81.70 95.95	
18 Pipe, Overflow To VIN M45254 From VIN M45255 to VIN N13088 From VIN N13089	XR8008644 XR8032944 XR8045048	4.70 18.75 0.00	
19 Shield, Fuel Tank To VIN M86797 From VIN M86798	XR8041838 XR8041838	d226.60 d226.60	

REAR BODY

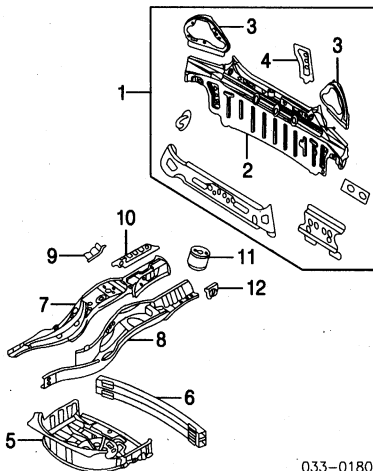
Use Procedure Explanations 26 and 28 with the following text.

SHEET METAL

Refinish Rear Body Panel Assy	1.5
Refinish Rear Body Panel	1.4
Refinish Tail Lamp Reinf.	R/L .5
Add for Edge & Inside	.8
Refinish Floor Pan	1.2

Illustration Located in Next Column

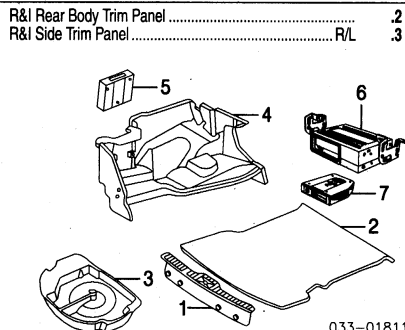
1 Panel Assy, Rear Body To VIN N13088 From VIN N13089-Serviced by Components #Deduct 2.5 for Each Quarter Panel Removed, Deduction Includes Common Surfaces & Included Operations	XR8026917	#7.0	322.00
2 Panel, Rear Body			



033-01806

To VIN N13088] Serviced w/Rear Body Panel Assy From VIN N13089	XR8032918	#7.0	76.05
#Deduct 2.5 for Each Quarter Panel Removed, Deduction Includes Common Surfaces & Included Operations			
3 Reinf. Tail Lamp To VIN N13088] Serviced w/Rear Body Panel Assy From VIN N13089	R XR8051421 L XR8051422	#2.5 #2.5	93.40 93.05
#w/Rear Body Panel Removed Deduct 1.0, w/Quarter Panel Removed Deduct 1.0			
4 Reinf. Bumper Mount To VIN N13088] R/L From VIN N13089-Serviced w/Rear Body Panel Assy <i>Includes w/Rear Outer Body Panel Assy</i>	XR8003248-9	1.0	15.40
5 Panel, Floor To VIN M45254 From VIN M45255 to VIN N13088 From VIN N13089	XR8014934 XR8035425 XR8049554	15.0 15.0 15.0	364.00 355.00 322.00
6 Reinforcement, Bumper-See Rear Bumper Section			
7 Rail, Inner	R XR8045724 L XR8022973	s #7.5 s #7.5	248.40 248.90
8 Rail, Outer To VIN L77674	R XR8032667 L XR8033051	s #7.5 s #7.5	347.00 352.00
From VIN L77675	R/L XR8046182-3	s #7.5	337.00
#R&R One Side Complete, w/Floor Pan Removed Deduct 3.5			
9 Support, Rear Outer	R/L XR8006216-7		7.90
10 Extension, Rear Outer To VIN N05999	R XR8047115 L XR8019277	27.60 29.10	
From VIN N06000	R/L XR8047115-6	27.60	
11 Damper, Rear Mounting	R/L XR8006071	28.95	
12 Bracket, Tie-Down To VIN M96160	R XR8003516 L XR8045429	8.05 9.20	
From VIN M96161	R/L XR8045428-9	9.20	

INTERIOR TRIM



033-01811

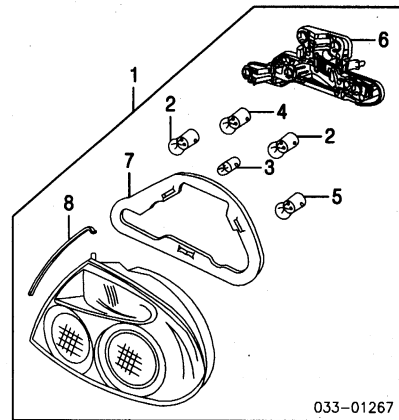
R&I Rear Body Trim Panel		.2	
R&I Side Trim Panel	R/L	.3	
1 Panel, Rear Body Trim To VIN N13088 From VIN N13089	XR8037925 XR8043400	.2 .2	27.75 27.75
2 Cover, Spare Tire] w/Supercharger w/o Supercharger	XR8045727		169.25
Anthracite	XR8045725PED		169.25
Gray	XR8018103LFN		122.00
<i>Order by Application</i>			
3 Liner, Spare Tire	XR8014147		141.15
4 Trim, Side] Right			
Anthracite	XR8027707PED	.3	104.30
From VIN M07886	XR8027707PED	.3	104.30
From VIN M07887	XR8016668LFN	.3	86.55
Gray			
Left			
w/CD Changer w/Navigation System			
Anthracite	XR8025248PED	.3	93.90
Gray	XR8016670LFN	.3	86.55

w/o Navigation System	XR8027628PED	.3	139.00
To VIN M95735	XR8045716PED	.3	139.00
From VIN M95736			
w/o CD Changer			
Anthracite	XR8034939PED	.3	83.60
Gray	XR8016669LFN	.3	86.55
<i>Order by Application</i>			
5 Trim, Navigation/CD Anthracite	XR8025857PED		37.80
Gray			
To-VIN L00449	XR8013152LFN		36.90
From VIN L00450	XR8016767LFN		53.85
6 Changer, CD]	C2C018740	#3	550.00
<i>Order by Application</i>			
#w/Side Trim Panel Removed			
7 Magazine, CD To VIN M45254 From VIN M45255	XR8009119 C2S014403		76.50 60.00

REAR LAMPS

COMBINATION LAMP

R&I Combination Lamp Assy	R/L	.4
---------------------------	-----	----



033-01267

1 Lamp Assy, Combination To VIN M45254			
w/Aluminum Bezel	R XR8051883 L XR8051885	.4 .4	171.90 171.90
w/o Aluminum Bezel	R XR8045504 L XR8045506	.4 .4	257.00 257.00
From VIN M45255 to VIN M99599			
w/Supercharger			
w/Black Bezel	R XR8044202 L XR8051886	.4 .4	172.35 171.90
w/o Black Bezel	R XR8045505 L XR8045507	.4 .4	257.00 257.00
w/o Supercharger			
w/Aluminum Bezel	R XR8051883 L XR8051885	.4 .4	171.90 171.90
w/o Aluminum Bezel	R XR8045504 L XR8045506	.4 .4	257.00 257.00
From VIN M99560			
w/Supercharger			
w/Black Bezel	R XR8044202 L XR8051886	.4 .4	172.35 171.90
w/o Black Bezel	R XR8045505 L XR8045507	.4 .4	257.00 257.00
w/o Supercharger			
w/Aluminum Bezel	R XR8051883 L XR8051885	.4 .4	171.90 171.90
w/o Aluminum Bezel	R XR8045504 L XR8045506	.4 .4	257.00 257.00
Bulb]			
2 No. 1 (2/Side)	R/L XR8012418	#2	1.85
3 No. 2	R/L XR8012410	#2	1.55
4 No. 3	R/L XR8012403	#2	2.40
5 No. 4	R/L XR8012409	#2	6.60
#R&R One Side Complete			
6 Carrier, Lamp]	R JLM021011 L JLM021242		47.00 19.70
7 Seal, No. 1]	R/L JLM021243		37.75
8 Seal, No. 2]	R/L JLM021244		9.65
<i>Includes w/Combination Lamp Assy</i>			

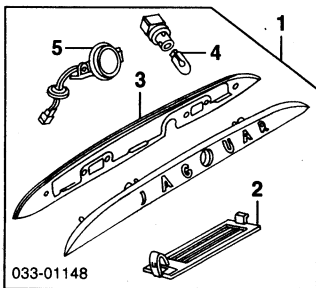
LICENSE LAMP

Refinish License Lamp Assy	.7
R&I License Lamp Assy	#7

#Includes R&R Luggage Lid Insulation

Illustration Located in Next Column

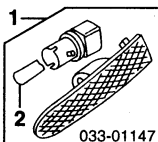
1 Lamp Assy, License Chrome			
To VIN N13088	XR8002106		233.80
From VIN N13089 to VIN N13205	XR8051455	#3	363.00
From VIN N13206	XR8051455	#3	363.00
Paint to Match			



To VIN N13205	XR8045331XXX	#3	363.00
From VIN N13206	XR8051666XXX	#3	363.00
#w/Luggage Lid Insulation Removed			
2 Lens/Gasket, Lamp	R XR8012445	.2	15.00
	L XR8029253	.2	17.40
3 Gasket, Rear Lamp	XR8012444	.2	24.65
4 Bulb	C2S015074	.2	.75
5 Switch, Lid Release	C2C022831		42.70
<i>#Included w/License Lamp Assy</i>			

SIDE MARKER LAMP

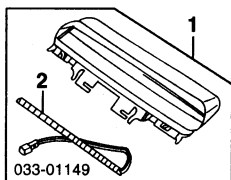
R&I Side Marker Lamp Assy	R/L	#2	
<i>#Included in R&R or O/H Rear Bumper</i>			



1 Lamp Assy, Side Marker		#2	18.75
To VIN N13088	R/L XR8007614-5		
From VIN N13089	R/L XR8047581-2	#2	21.85
<i>#Included in R&R or O/H Rear Bumper</i>			
2 Bulb	R/L C2S015074	.2	.75
<i>#Included w/Side Marker Lamp Assy</i>			

HIGH MOUNT STOP LAMP

R&I Stop Lamp Assy		.3	
--------------------	--	----	--



1 Lamp Assy, Stop			
To VIN M22099			
Almond	XR8014308AGM	.3	106.65
Cashmere	XR8032362SDZ	.3	200.25
Charcoal	XR8014308LEG	.3	109.85
Pewter	XR8014308LGM	.3	109.85
From VIN M22100 to VIN M45254			
Almond	XR8032362AGM	.3	200.25
Cashmere	XR8032362SDZ	.3	200.25
Charcoal	XR8032362LEG	.3	200.25
Pewter	XR8032362LGM	.3	200.25
From VIN M45255 to VIN M72229	XR8034889	.3	109.85
From VIN M72230 to VIN N13088	XR8043178	.3	95.00
From VIN N13089	XR8049386	.3	0.00
2 Diode, Lamp	JLM021010		d31.15
<i>#Included w/Stop Lamp Assy</i>			

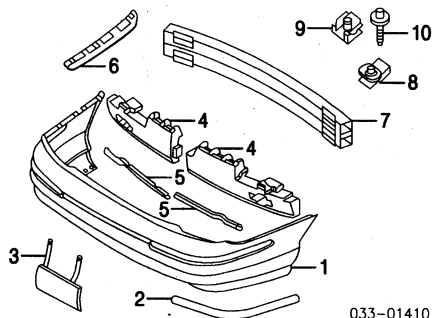
REAR BUMPER

Use Procedure Explanations 27 and 28 with the following text.

2000-04 (TO VIN N13088)

Refinish Rear Cover		2.8	
Refinish Towing Eye Cover		.4	
Refinish Bumper Moulding	R/L	.4	
Refinish Rear Object Sensor		.3	
Refinish Sensor Bracket	R/L	.2	
R&I Bumper Assy		#1.8	
O/H Bumper Assy (Includes R&I)		#2.6	
<i>#Includes R&I/R&R Rear Body & Side Trim Panels</i>			
Add to R&R or O/H Rear Bumper			
w/Rear Object Sensor		.3	
Add to R&I/R&R or O/H Rear Bumper			
w/Navigation System	m	#3	
<i>#Includes R&I/R&R Navigation Module</i>			
w/CD Changer		#3	
<i>#Includes R&I/R&R CD Changer</i>			

NOTE: All Parts in this section are included in overhaul unless noted otherwise.

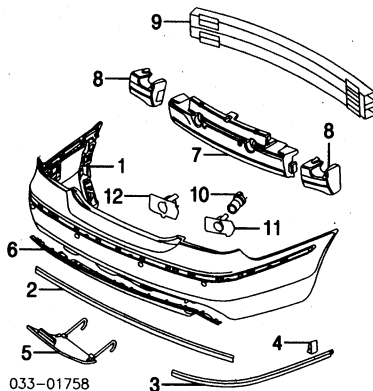


1 Cover, Rear (P)			
w/Back-Up Sensor	XR8007635XXX	#2.6	735.00
w/o Back-Up Sensor	XR8007634XXX	#2.6	735.00
<i>(P) Paint to Match</i>			
<i>#Includes R&I/R&R Rear Body & Side Trim Panels</i>			
Repair Kit, Bumper	JLM021156		142.35
2 Moulding, Bumper			
Chrome	R/L XR8007630-1	.2	89.65
Paint to Match	R XR8026426XXX	.2	91.60
	L XR8026427XXX	.2	91.60
3 Cover, Towing Eye (P)			
<i>(P) Paint to Match</i>			
4 Absorber, Impact	R XR8027516	#2	80.65
	L XR8027515	#2	81.45
<i>#w/Bumper Assy Removed</i>			
5 Bracket, Center Mtg	R XR8007627		43.45
	L XR8007648		32.40
6 Bracket, Outer Mtg	R/L XR8025222-3		0.00
7 Reinforcement, Bumper	XR8003496	#3	267.00
<i>#w/Rear Cover Removed, Not Included in O/H</i>			
8 Nut, U-Type (3)	XR8002178		3.80
9 Retainer, Bumper (11)	XR8007652		2.45
10 Screw (6)	XR8002164		4.90
Rivet (4)	C2S009354		.55
Sensor, Rear Object (P) (4)	XR8006401	#3	103.55
<i>#w/Bumper Assy Removed</i>			
Bracket, Sensor (P)			
Outer	R XR8006402		20.40
	L XR8006405		20.40
Inner	R/L XR8006404-3		20.40
<i>(P) Paint to Match</i>			

2004-05 (FROM VIN N13089)

Refinish Rear Cover		2.8	
Refinish Towing Eye Cover		.4	
Refinish Bumper Center Moulding	R/L	.4	
Refinish Bumper Side Moulding	R/L	.4	
Refinish Rear Object Sensor		.3	
Refinish Sensor Bracket	R/L	.2	
R&I Bumper Assy		#1.8	
O/H Bumper Assy (Includes R&I)		#2.6	
<i>#Includes R&I/R&R Rear Body & Side Trim Panels</i>			
Add to R&R or O/H Rear Bumper			
w/Rear Object Sensor		.3	
Add to R&I/R&R or O/H Rear Bumper			
w/Navigation System	m	#3	
<i>#Includes R&I/R&R Navigation Module</i>			
w/CD Changer		#3	
<i>#Includes R&I/R&R CD Changer</i>			

NOTE: All Parts in this section are included in overhaul unless noted otherwise.



1 Cover, Rear (P)			
w/Back-Up Sensor	XR8049700XXX	#2.6	635.00
w/o Back-Up Sensor	XR8049701XXX	#2.6	635.00
<i>(P) Paint to Match</i>			
<i>#Includes R&I/R&R Rear Body & Side Trim Panels</i>			

Moulding, Bumper

2 Center			
Classic	XR8044145	.2	40.75
Sport (P)	XR8047568XXX	.2	49.65
3 Side			
Classic	R/L XR8044133-4	.2	33.80
Sport (P)	R XR8044071XXX	.2	63.30
	L XR8044072XXX	.2	63.30
<i>(P) Paint to Match</i>			
4 Retainer	R/L C2S011341	.2	2.20
5 Cover, Towing Eye (P)	XR8046179	.2	10.50
<i>(P) Paint to Match</i>			
6 Extension, Bumper	XR8046166		39.55
Absorber, Impact			
7 Center	XR8046168	#2	56.50
8 Side	R/L XR8046169-70	#2	73.65
9 Reinforcement, Bumper	XR8003496	#3	267.00
<i>#w/Rear Cover Removed, Not Included in O/H</i>			
<i>Reinf, Rear Lower-See Rear Body Section</i>			
Sensor, Rear Object (P) (4)	C2C021643XXX	#3	89.20
<i>#w/Bumper Assy Removed</i>			
Bracket, Sensor (P)			
Outer	R XR8037487		4.60
	L XR8037490		4.60
Inner	R/L XR8037489		4.60
<i>(P) Paint to Match</i>			