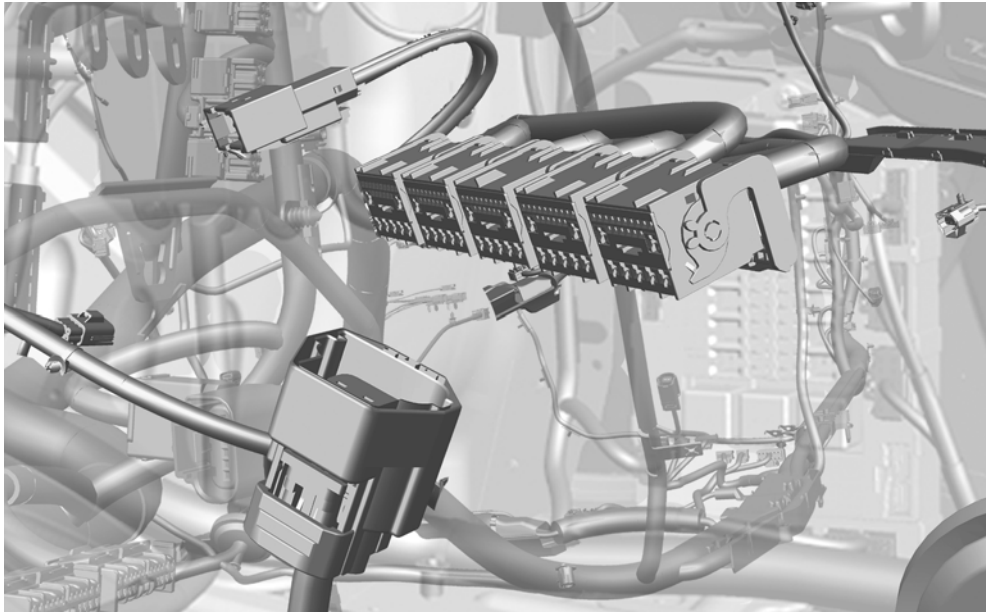




---

## Electrical Wiring Diagrams

---



**XJ**  
(1a) VIN: V22231 >

---





BY APPOINTMENT TO  
HER MAJESTY QUEEN ELIZABETH II  
MANUFACTURERS OF DAIMLER AND JAGUAR CARS  
JAGUAR CARS LIMITED COVENTRY



BY APPOINTMENT TO  
HIS ROYAL HIGHNESS THE PRINCE OF WALES  
MANUFACTURERS OF DAIMLER AND JAGUAR CARS  
JAGUAR CARS LIMITED COVENTRY

---

# Electrical Wiring Diagrams

---

# XJ

(1a) VIN: V22231 >

---

Published by Technical Communications, Jaguar Cars Limited  
Publication Part No. JLR 16 00 21\_1E

## **PREFACE**

---

While every effort is made to ensure accuracy, design changes to the vehicle may be made in the period between the completion of this publication and the introduction of vehicles.

All rights reserved. No part of this publication may be reproduced, stored in a retrieval system or transmitted in any form, electronic, mechanical, recording or other means without prior written permission from Jaguar Cars Limited.

Paper copies of this document are uncontrolled, always refer to the electronic source material for the latest information.

© 2011 Jaguar Cars Limited

---

## ABBREVIATIONS

..... ix

## USING THIS PUBLICATION

Health and safety ..... x  
Using this publication ..... x  
Section numbering ..... x  
Understanding the circuit diagrams ..... xi

## 204-04 - WHEELS AND TIRES

Tire pressure monitoring system ..... 1

## 204-05 - VEHICLE DYNAMIC SUSPENSION

Continuously variable damping (CVD) ..... 2  
Air suspension ..... 3  
Air suspension with CVD ..... 4  
Air suspension with CVD ..... 5

## 205-02 - REAR DRIVE AXLE AND DIFFERENTIAL

Electronic rear differential ..... 6

## 206-05 - PARKING BRAKE AND ACTUATION

..... 7

## 206-09 - ANTI-LOCK CONTROL

Dynamic stability control ..... 8  
Brake pad wear sensors ..... 9

## 211-04 - STEERING COLUMN

Steering wheel ..... 10  
Steering Column Adjustment ..... 11

## 303-03 - ENGINE COOLING

Petrol ..... 12  
Diesel ..... 13

## 303-06 - STARTING SYSTEM

Block-heater ..... 14  
Petrol - LHD ..... 15  
Petrol - RHD ..... 16  
Diesel - LHD ..... 17  
Diesel - RHD ..... 18

## 303-14A - ELECTRONIC ENGINE CONTROLS - PETROL

Vehicle interface ..... 19  
Sensors ..... 20  
Actuators ..... 25  
Emissions ..... 29  
Coolant pump - PV8SC ..... 31

## 303-14B - ELECTRONIC ENGINE CONTROLS - DIESEL

Vehicle interface ..... 32  
Sensors ..... 35  
Actuators ..... 39  
Glow plugs ..... 42  
Emissions ..... 43

## 307-01 - AUTOMATIC TRANSMISSION

Petrol ..... 45  
Diesel ..... 46

## 310-01 - FUEL TANK AND FUEL LINES

Petrol ..... 47  
Diesel ..... 48

---

## 310-03 - SPEED CONTROL

Petrol .....	50
Diesel .....	51
Adaptive .....	52

## 412-01 - CLIMATE CONTROL

Part 1 .....	53
Part 2 .....	54
Part 3 .....	55
Part 4 .....	56
Rear .....	57

## 412-02 - AUXILIARY CLIMATE CONTROL

.....	58
-------	----

## 413-01 - INSTRUMENT CLUSTER

.....	60
-------	----

## 413-13 - PARKING AID

Front .....	61
Rear .....	62
Rear view camera .....	63

## 414-01 - BATTERY, MOUNTING AND CABLES

Battery cables - Petrol .....	64
Battery cables - Diesel .....	65
Engine junction box .....	66
Central junction box .....	70
Rear junction box .....	87
Ground distribution .....	90

## 414-02 - GENERATOR AND REGULATOR

Charging - Petrol .....	98
Charging - Diesel .....	99

## 415-00 - INFORMATION AND ENTERTAINMENT SYSTEM

Part 1 .....	100
Part 2 .....	101
Part 3 .....	102
10-Speaker system (LHD) .....	103
10-Speaker system (RHD) .....	104
12-Speaker system (LHD) .....	105
12-Speaker system (RHD) .....	106
15-Speaker system (LHD) .....	107
15-Speaker system (RHD) .....	108
Digital Audio Broadcasting (DAB) .....	109
Satellite Digital Audio Radio System (SDARS) .....	110
Television .....	111
Rear .....	112

## 417-01 - EXTERIOR LIGHTING

Headlamps .....	115
Headlamps - adaptive front lighting system .....	116
Side lamps .....	117
Fog lamps .....	118
Brake and reverse lamps .....	119
Turn signal indicators and hazard flashers .....	120
Turn signal repeaters .....	121

## 417-02 - INTERIOR LIGHTING

Map and Courtesy .....	122
Tread plate illumination .....	124
Doors and Luggage compartment .....	125
Ambient lighting - Front .....	126
Switch Illumination .....	127
Ambient lighting - Rear .....	129

---

## **418-00 - MODULE COMMUNICATIONS NETWORK**

CAN bus - Medium speed - LHD .....	130
CAN bus - Medium speed - RHD .....	135
CAN bus - High speed .....	140
MOST .....	145

## **419-01 - ANTI-THEFT SYSTEM**

Part 1 .....	149
Part 2 .....	150
Part 3 .....	151
Passive start .....	152

## **419-07 - NAVIGATION SYSTEM**

Asia .....	153
Japan .....	154

## **419-15 - ELECTRONIC FEATURES MODULES**

Glove compartment release .....	155
---------------------------------	-----

## **501-09 - REAR VIEW MIRRORS**

Electrochromic .....	156
Mirror Movement .....	157
Blind spot monitoring (LHD) .....	158
Blind spot monitoring (RHD) .....	159

## **501-10 - SEATING**

Driver seat - 12 way memory (LHD) .....	160
Driver seat - 12 way memory (RHD) .....	161
Driver seat - 8 way memory (LHD) .....	162
Driver seat - 8 way memory (RHD) .....	163
Driver seat - Lumbar and bolster control .....	164
Driver seat - 2 way lumbar only .....	165
Passenger seat - 12 way memory (LHD) .....	166
Passenger seat - 12 way memory (RHD) .....	167
Passenger seat - 8 and 12 way (LHD) .....	168
Passenger seat - 8 and 12 way (RHD) .....	169
Passenger seat - 2 and 4 way lumbar and bolster control .....	170
Passenger seat - 2 way lumbar and bolster control .....	171
Passenger seat - 2 way lumbar only .....	172
Heated - front .....	173
Climate controlled - Front (LHD) .....	174
Climate controlled - Front (RHD) .....	175
Climate controlled - Rear (stationary) .....	176
Climate controlled - Rear (moveable) .....	177
Heated - rear .....	178
Massage - Driver .....	179
Massage - Passenger .....	180
Massage - Common .....	181
Rear - Left hand .....	182
Rear - Right hand .....	183
Rear Massage - Common .....	184

## **501-11 - GLASS, FRAMES AND MECHANISMS**

Window lift - front .....	185
Window lift - rear .....	186
Rear sunblind .....	187

## **501-12 - INSTRUMENT PANEL AND CONSOLE**

Switch pack - Instrument panel (center) .....	188
Switch pack - Instrument panel (center) .....	189
Accessory socket(s) .....	190

---

## **501-14 - HANDLES, LOCKS, LATCHES AND ENTRY SYSTEMS**

Keyless entry - Front (LHD) .....	191
Keyless entry - Front (RHD) .....	192
Keyless entry - Rear .....	193
Front dead locks .....	194
Rear dead locks .....	195
Fuel flap .....	196
Luggage compartment lid release - Part 1 .....	197
Luggage compartment lid release - Part 2 .....	198

## **501-16 - WIPERS AND WASHERS**

Part 1 .....	199
Part 2 .....	200

## **501-17 - ROOF OPENING PANEL**

Roof opening panel and roof blinds .....	201
--	-----

## **501-20A - SAFETY BELT SYSTEM**

.....	202
Retractors .....	203
Occupancy sensing .....	204

## **501-20B - SUPPLEMENTAL RESTRAINT SYSTEM**

LHD .....	205
RHD .....	206

## **501-20C - PEDESTRIAN PROTECTION SYSTEM**

.....	207
-------	-----



Abbreviation	Description
ABS	Anti-lock braking system
ADRC	Adaptive damping
AFS	Adaptive front lighting system
AMP	Audio amplifier
AUTO	Automatic transmission
AUU	Portable audio interface
BSM	Blind spot monitoring
CAN	Controller area network
CVD	Continuously variable damping
DAB	Digital audio broadcasting
DSC	Dynamic stability control
D4	Diesel engine - Straight-four
DPF	Diesel particulate filter
DV6	Diesel engine - V6
DV8	Diesel engine - V8
EGR	Exhaust gas recirculation
EMS	Engine management system
ETS	Electronic transmission shift
FET	Field effect transistor
GPS	Global positioning system
HID	High intensity discharge
HS CAN	High speed controller area network bus
IC	Instrument cluster
IMT	Intake manifold tuning
IP	Instrument panel
OCS	occupancy classification sensor
PV6	Petrol engine - V6
PV8	Petrol engine - V8
PV8NA	Naturally aspirated engine - V8
PV8SC	Super charged engine - V8
LH	Left-hand
LIN	Local interconnect network
MAF/IAT	Mass air flow / intake air temperature
MS CAN	Medium speed controller area network bus
MMM	Navigation system module
N/A	Normally aspirated
NAS	North American specification
PDC	Park distance control
RF	Radio frequency
RH	Right-hand
SAI	Secondary air injection
SCL	Steering column locking
SDARS	Satellite digital audio receiver system
TPMS	Tire pressure monitoring system
TSD	Touch screen display
TV	Television
ULEV	Ultra low emission vehicle
USB	Universal serial bus
VICS	Vehicle information control system

## Health and safety

Always follow health and safety guidelines, specifically those detailed in the Workshop Manual.

## Using this publication

The information provided in this publication is for use only by competent, qualified auto-electricians. Good product knowledge is assumed, as well as the ability to access and use recommended test equipment and other reference material provided.

### **Test equipment and other reference material**

The information in this publication should be used in conjunction with the recommended test equipment; refer to Workshop Manual. Other reference material includes: Technical Service Bulletins (TSB) and the Workshop Manual.

The Electrical Reference Library (ERL) may also prove useful since it provides detailed connector information.

### **Battery disconnection and reconnection**

It is imperative that any information relating to battery disconnection and reconnection is followed; refer to the appropriate sections in the Workshop Manual.

### **Fault Diagnosis**

Always use the recommended test equipment for correct and reliable fault diagnosis, refer to the Workshop Manual.

### **Harness Repair**

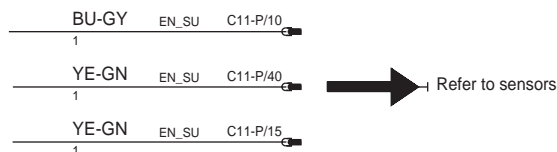
Repairs should only be undertaken for connectors where a Service Repair Kit is available; refer to the appropriate Electrical Reference Library (ERL).

**Note:** Fibre Optic circuits cannot be repaired; refer to the Workshop Manual.

### **Engine Harness In-line Connector Designations**

It has been necessary to draw certain wiring diagrams to support and permit the sharing of common electrical harnesses, as a result the in-line connectors linking the engine compartment harness and the engine harness appear on separate pages.

In addition, it should be noted that the connector designations may not match; where this is the case, the matching connector designations are identified at the bottom right-hand side of the drawing, for example C11-P = C11-A. An arrow or a diamond is used to highlight the connectors that are affected by this convention.



C11-P = C11-A
C11-N = C11-B
C11-M = C11-C

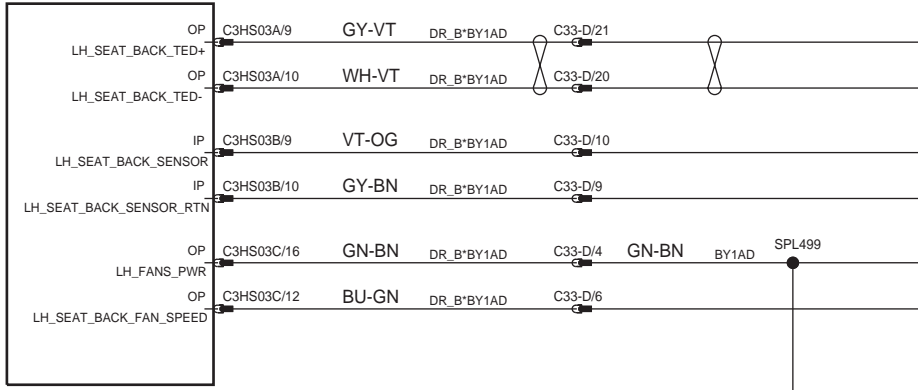
## Section numbering

The sections in this publication are ordered to match the Global Outline numbering system as found in the current Workshop Manual. The Power and Ground distribution circuits can be found under section 414-01, BATTERY, MOUNTING AND CABLES.

**Note:** Where circuit diagrams show more than one sub-system, the circuit will be located in the section that carries the first-named sub-system, for example: Starting and Charging will be located under section 303-06 Starting System, since 'Starting' is the first-named sub-system.

# USING THIS PUBLICATION

## Understanding the circuit diagrams



### Connectors, Ground and Splices

Harnesses for the vehicle originate from a variety of different sources and therefore the connector nomenclature is inconsistent.

### Wire Length

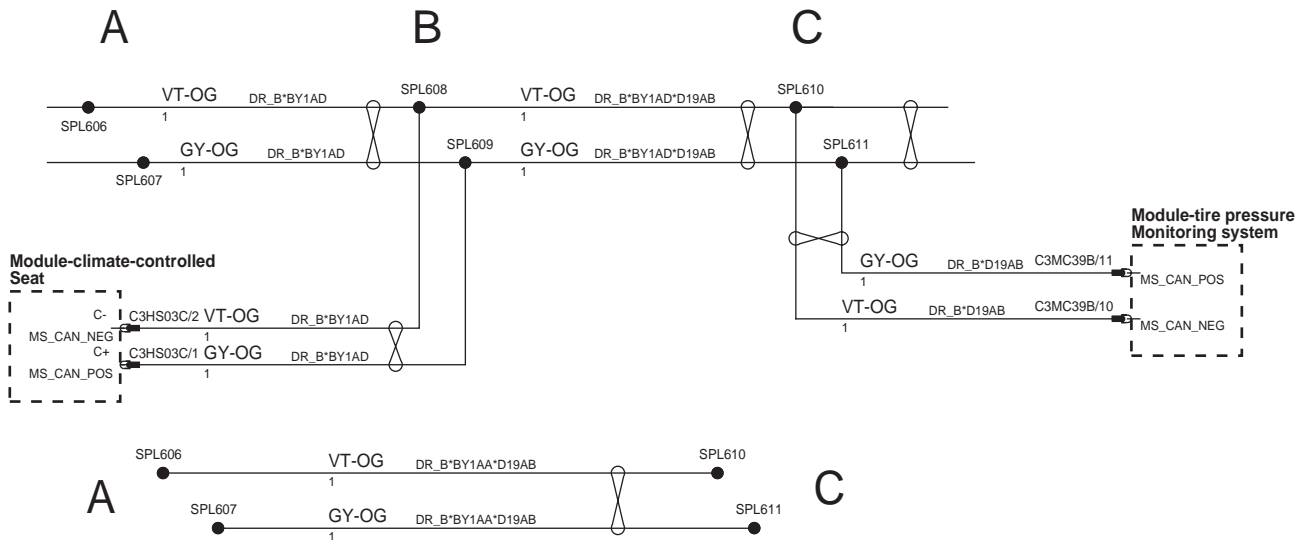
Wire length (where stated) is in millimeters and appear directly below the color code for each wire. Wire length values are displayed for LHD vehicles only, values for RHD vehicles may vary.

### Twisted Wires

The 'figure-of-eight' symbol indicates that wires are twisted together.

### By-pass Wires

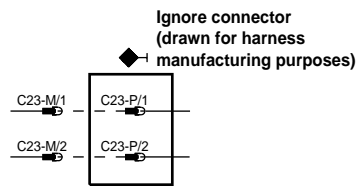
Vehicles are customized to suit market or customer selected options. To reduce the number of circuits drawn, by-pass wires are shown. By-pass wires are identified by large, upper case letters designed to correspond with the alternative connection arrangement; refer to figure below.



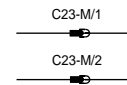
## Connector Designation

Certain connectors have been drawn for harness manufacturing purposes only. In Example 1, the left-hand connector is always used, the connector drawn to the right-hand side of the dotted line is a dummy connector which should be ignored; refer to Service Interpretation 1.

Example 1:

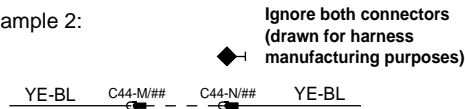


Service Interpretation 1:

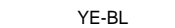


Example 2 depicts that some pairs of connectors have also been drawn for harness manufacturing purposes, these connectors do not appear in the vehicle and therefore should be ignored; refer to Service Interpretation 2.

Example 2:



Service Interpretation 2:



## Control Module Pins

B+	Battery voltage
C-	CAN negative
C+	CAN positive
D	Data
GND	Ground
GREF	Sensor / signal ground **
IP	Input signal
LIN	Local interconnect network
MOST_RX	MOST receive
MOST_TX	MOST transmit
NEG	Negative
OP	Output signal
P	Power ground
POS	Positive
PWR	Power
SW	Switch
VBATT	Battery voltage
VREF	Sensor / signal supply V *

\*May also indicate Reference Voltage.

\*\*May also indicate Reference Ground or Logic Ground.

## Wire Codes

CODE	COLOR
BK or B	BLACK
BN or N	BROWN
BU or U	BLUE
GN or G	GREEN
GY or S	GREY
OG or O	ORANGE
OPT	FIBER OPTIC
PK or K	PINK
RD or R	RED
SCR	SCREEN BRAID
VT or P	PURPLE
WH or W	WHITE
YE or Y	YELLOW

# USING THIS PUBLICATION

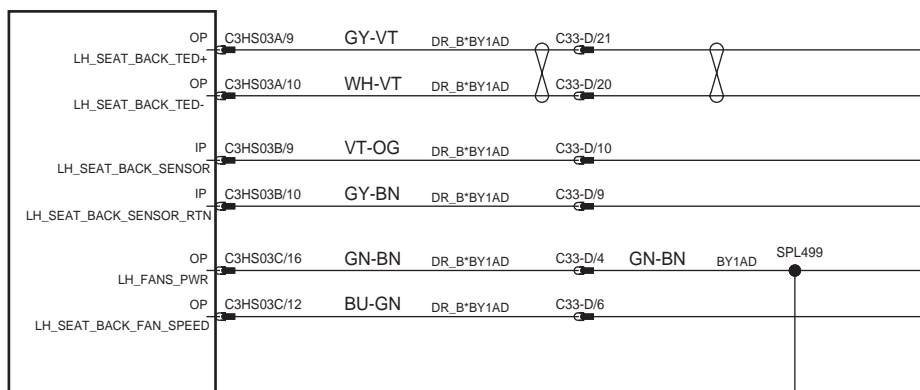
## Option Code

A code identifying an optional wiring arrangement, for example BY1AD, may be allocated to certain wires; refer to the Option Code Table.

The asterisk (\*) represents 'and'; the colon (:) represents 'or'; for example:

DR\_B\*BY1AD, represents: left-hand drive AND heated & cooled seats

IBYAD\*IESAB:IBYAC\*IESAB, represents: satellite digital audio AND television OR digital audio AND television.



## Option Code Table

Cct	Vehicle Option or Feature
2W_LUM	2 way lumbar
4W_LUM	4 way lumbar
A3RAB	deployable bonnet
A4EAC	passenger non memory
A4EAF	passenger memory
B3MAA	less windshield defrost
B3MAB	heated front screen
BS_FL	long wheel base
BSBAF	electrochromic interior mirror
BSHDF	fold back mirrors
BY1AB	driver heated seat
BY1AD	heated & cooled seats
BY3AB	heated seats
BY3AD	rear heated and cooled seats
BYPAM	10way driver seat movement
BYPAN	16way driver seat movement
BYPAW	20way driver seat movement
BYQAN	16way passenger seat movement
BYQAP	8way passenger seat movement
BYQAR	4way passenger seat movement
CBAAD	power dead locks
CBGAG	keyless entry
CBGAJ	without keyless entry
CFKAB	headlamp washer
CPQAB	front passenger airbag deactivation
CPQAC	OCS
CPXAB	no safety belt retract
CPXAC	safety belt retract
D19AB	TPMS
DR_B	LHD
DR_D	RHD
DRV	driver
DWABK	chassis control module
DWABN	air suspension
DWMAC	continuously variable damping
EGJAE	no electronic rear differential
EGJAL	electronic rear differential

## USING THIS PUBLICATION

Cct	Vehicle Option or Feature
EM_N	ULEV 2 requirements
EN_RX	5.0L PV8NA engine
EN_RY	5.0L PV8SC engine
EN_SU	3.0 DV6 engine
EN_WD	3.0 PV6 engine
G1DAA	without smog sensor
G1DAB	smog sensor
G3AAJ	rear solar sensor
GRBAB	steering column lock
GTBAB	heated steering wheel
GTDAB	speed control
GTDAD	adaptive stop/go speed control
HKCAB	navigation
HLLAA	without blindspot monitoring
HLLAC	blindspot monitoring
HNHAB	battery backed security siren
HNHAC	passive sounder
HNLAB	front parking aid
IBYAC	digital audio
IBYAD	satellite digital audio
IDAAU	base audio system - 450 W
IDAAV	hi line premium
IDAAX	premium ice
IENAD	rear seat entertainment
IESAB	television
J3CAB	smokers package
J3KAA	less camera
J3KAB	park aid camera
JAPAN	Japanese market
JBBBA	HID headlamps
JBBBB	adaptive front lighting
LHS	left-hand side
NO_DAB	without digital audio broadcasting
NO_OCS	without occupancy classification sensor
NO_SDARS	without SDARS
PAS	passenger
RHS	right-hand side
W-FIRE	wireless headphone system

## USING THIS PUBLICATION

---

### *Component Depictions*

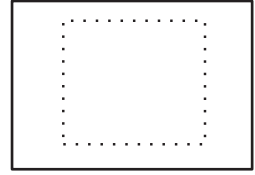
Example:



1.



2.



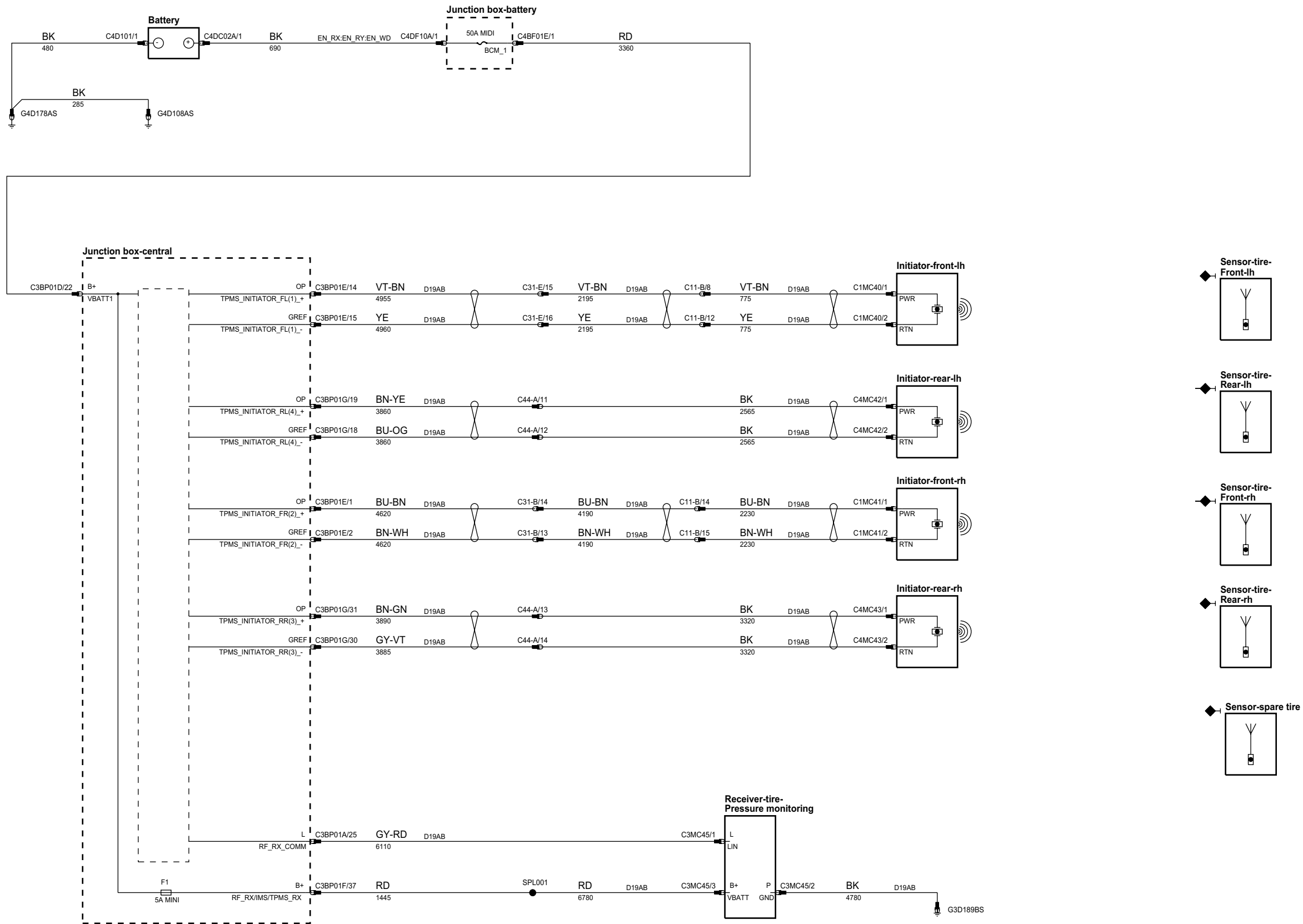
3.

1. Complete Components and Control Modules
2. Incomplete Components
3. Components with Internal Electronic Components

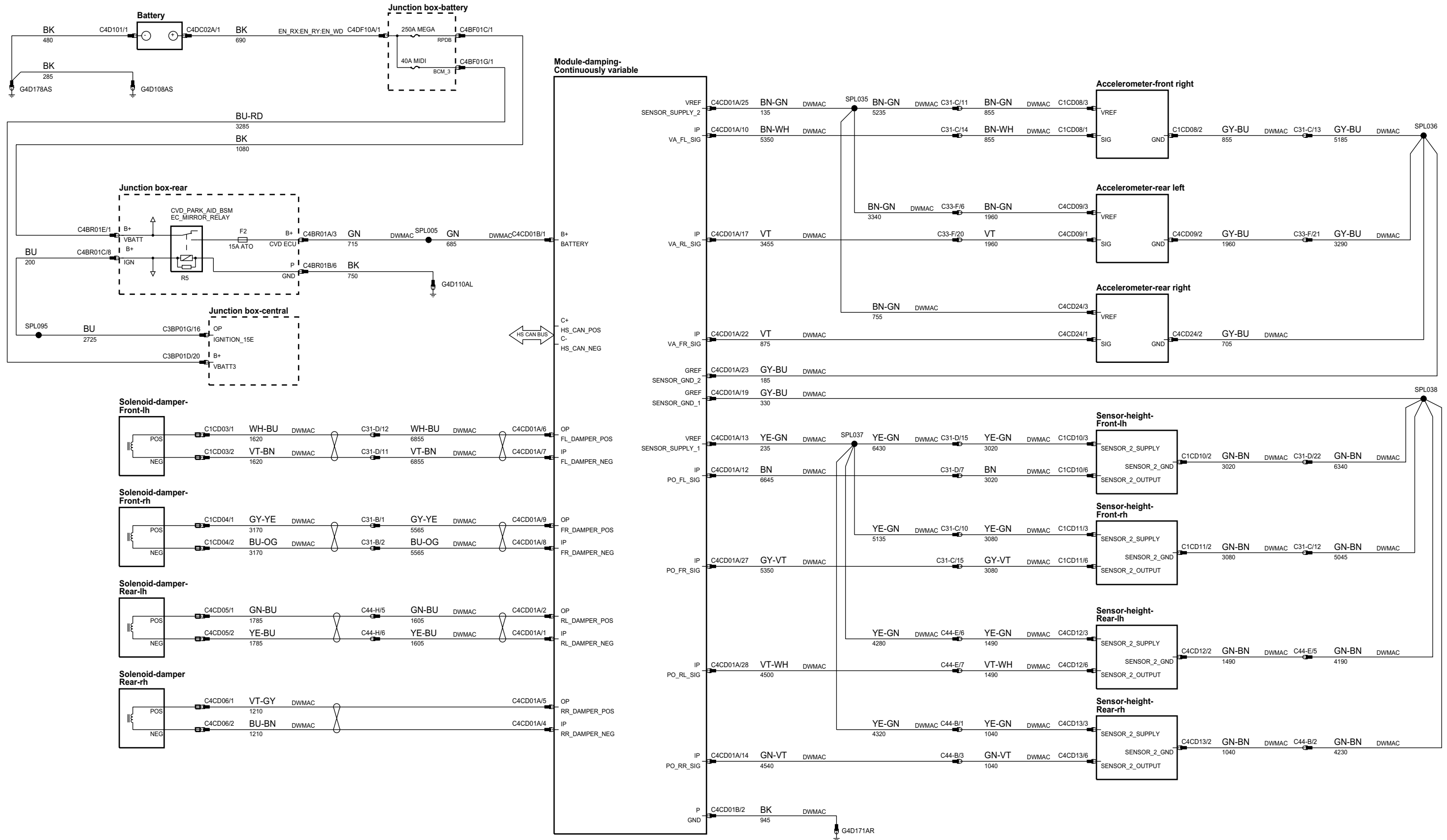




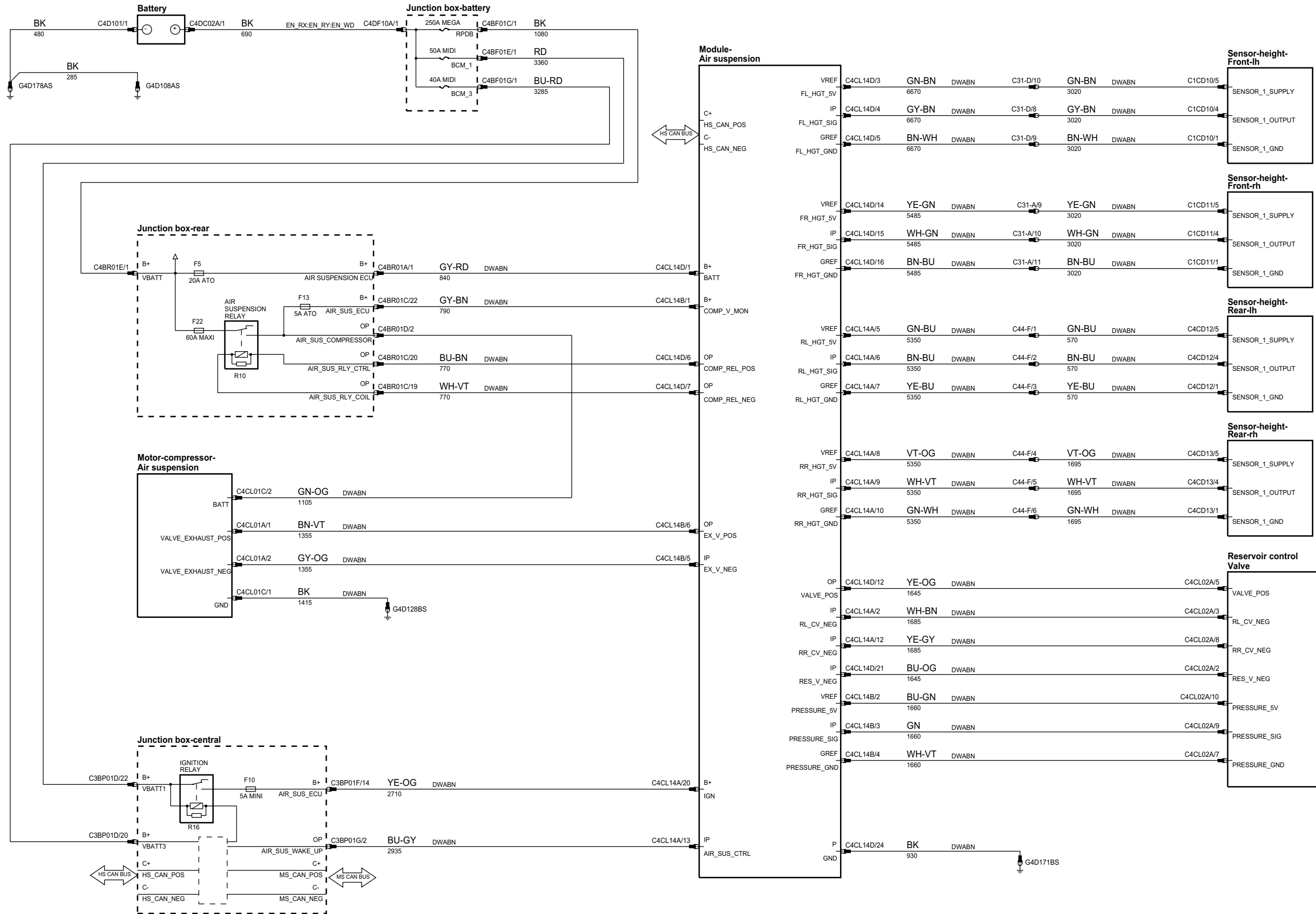
phcw93-70267-a-a3



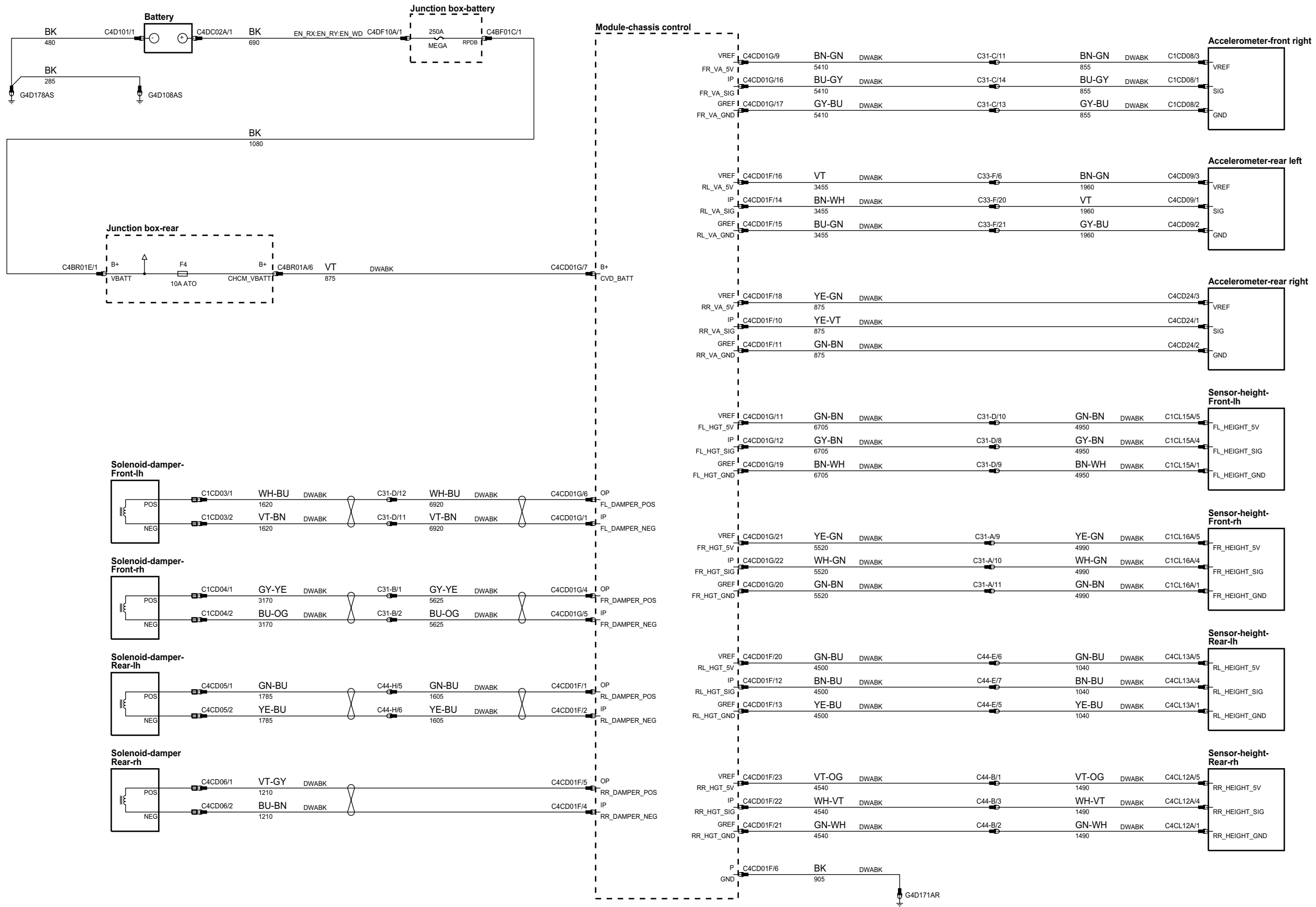
phcw93-70180-a-a3



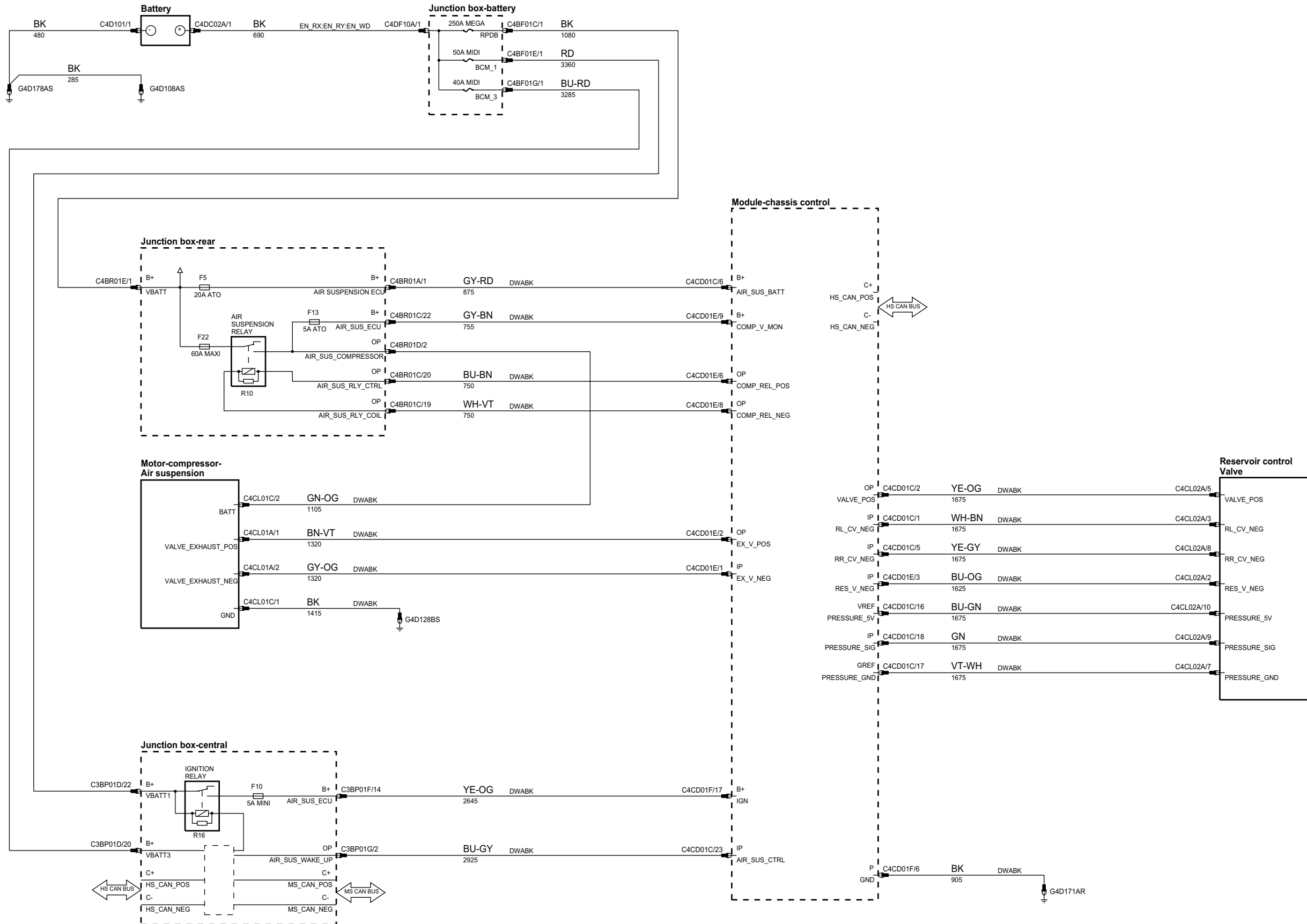
phcw93-70181-a-a3



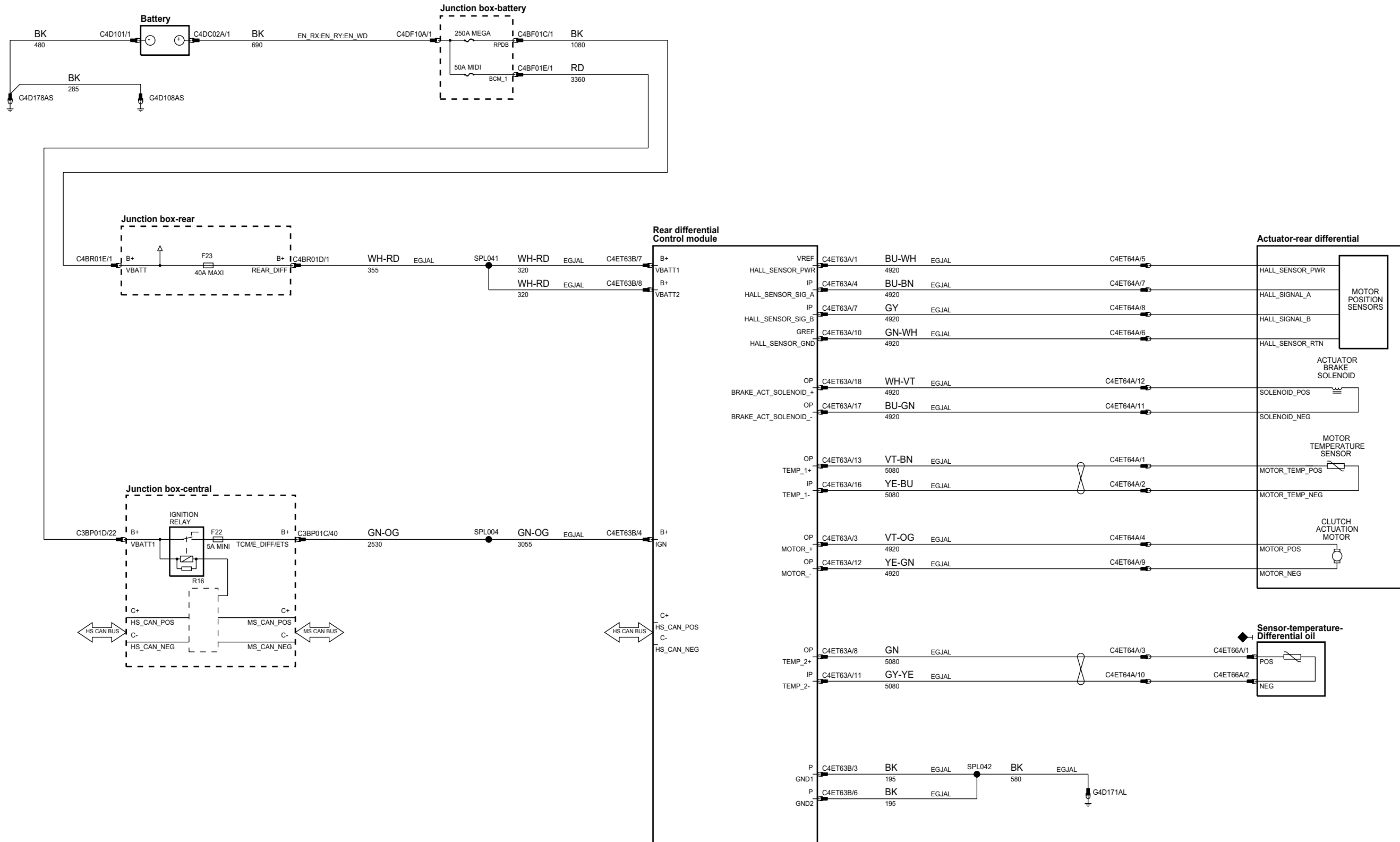
phcw93-70181-b-a3



phcw93-70181-c-a3

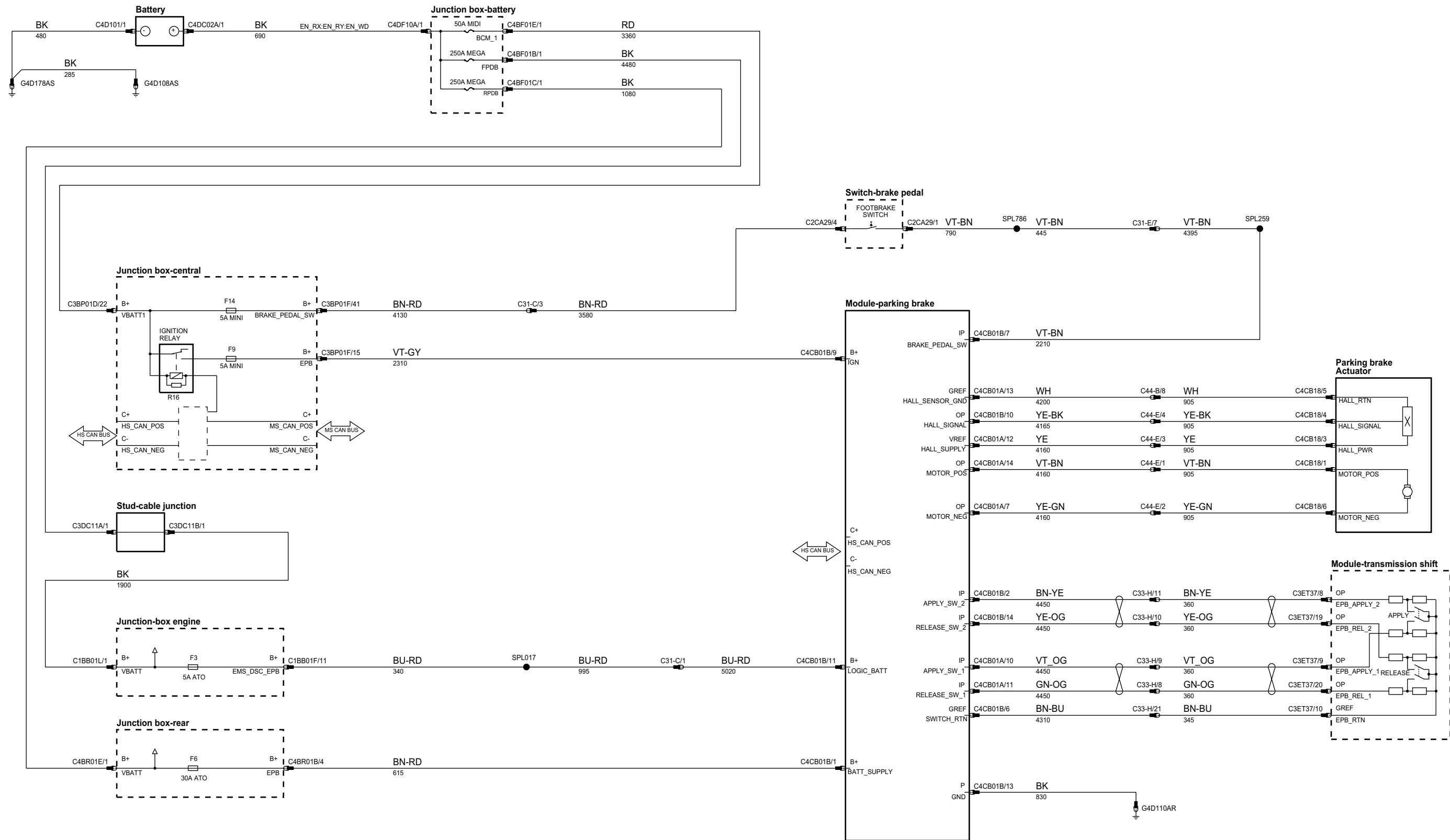


phcw93-70046-a-a3

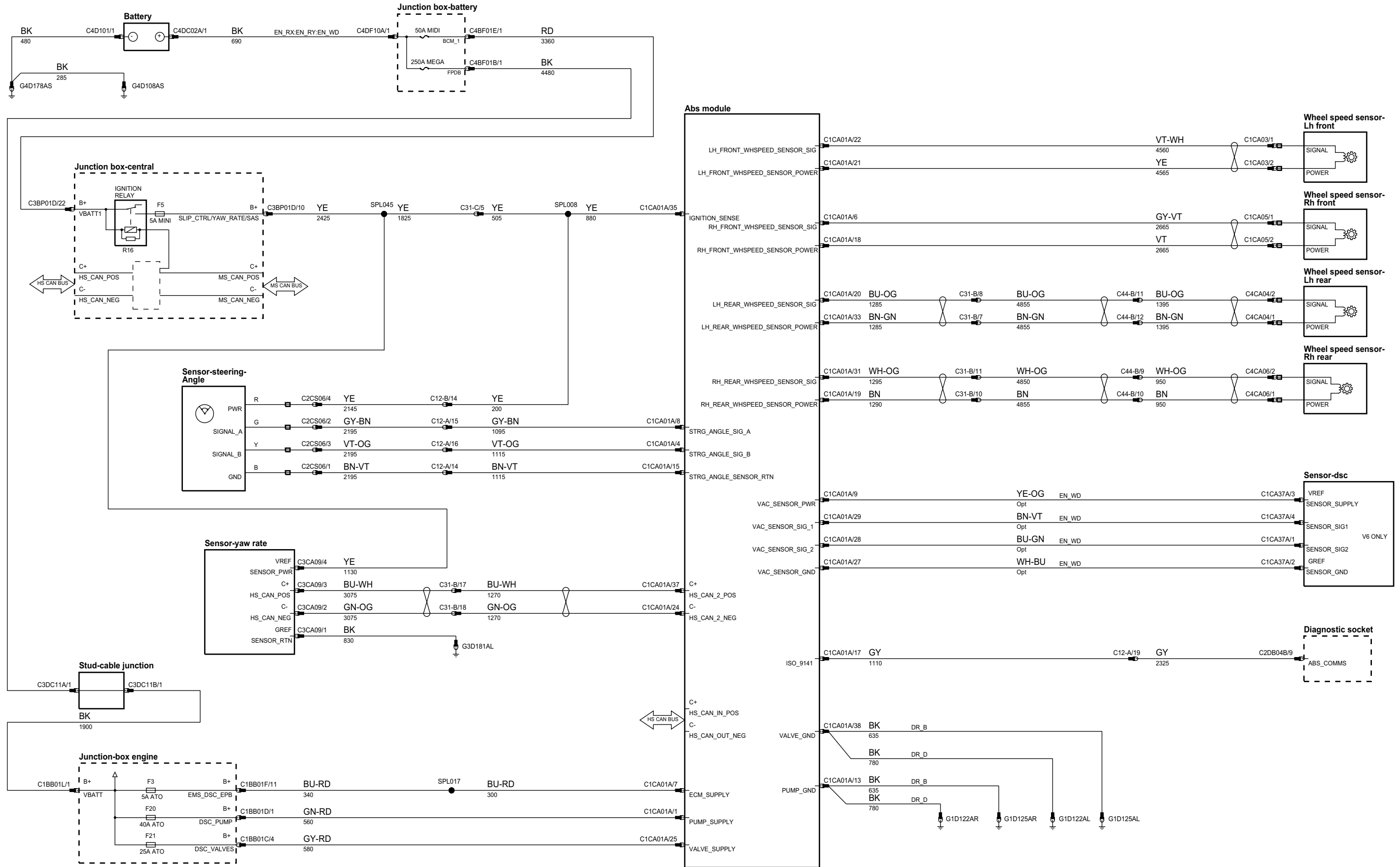


# 206-05 - PARKING BRAKE AND ACTUATION

phcw93-70167-a-a3

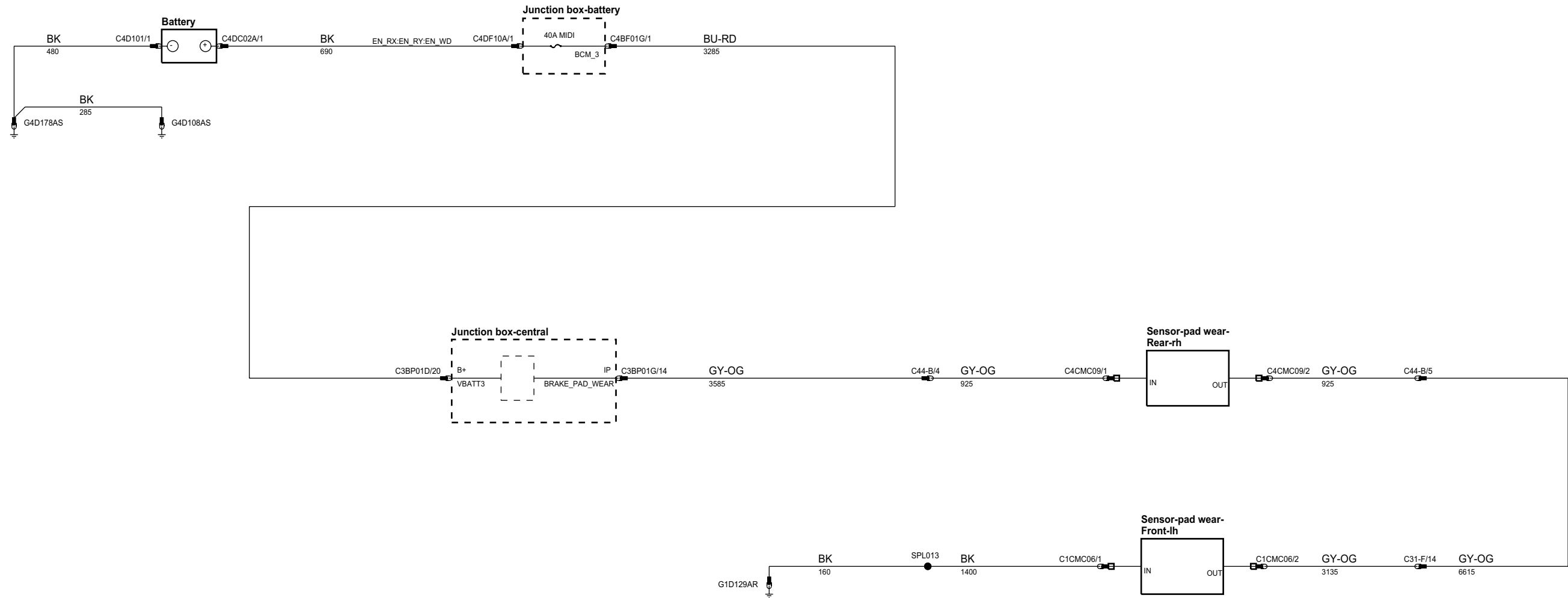


phcw93-70165-a-a3

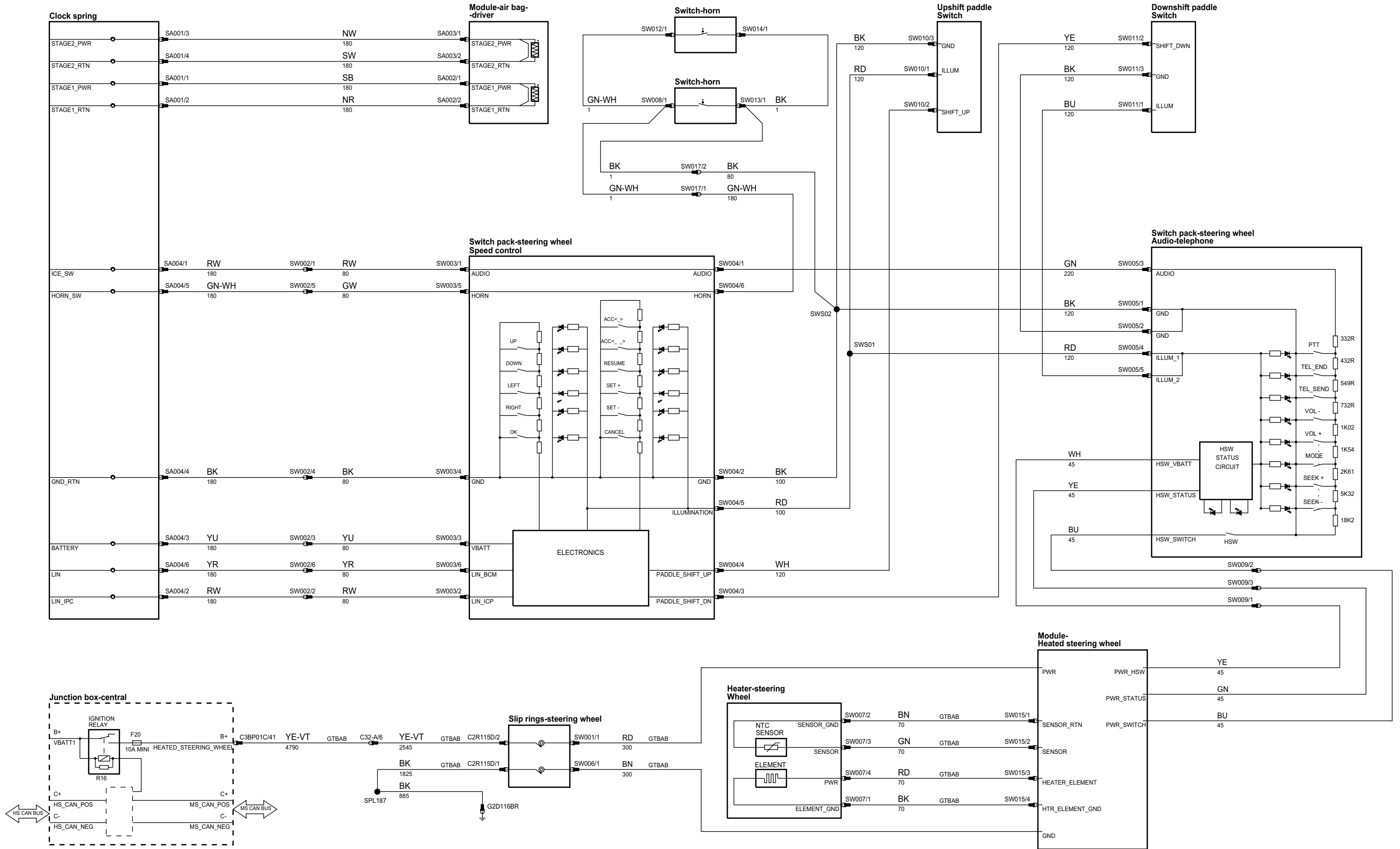




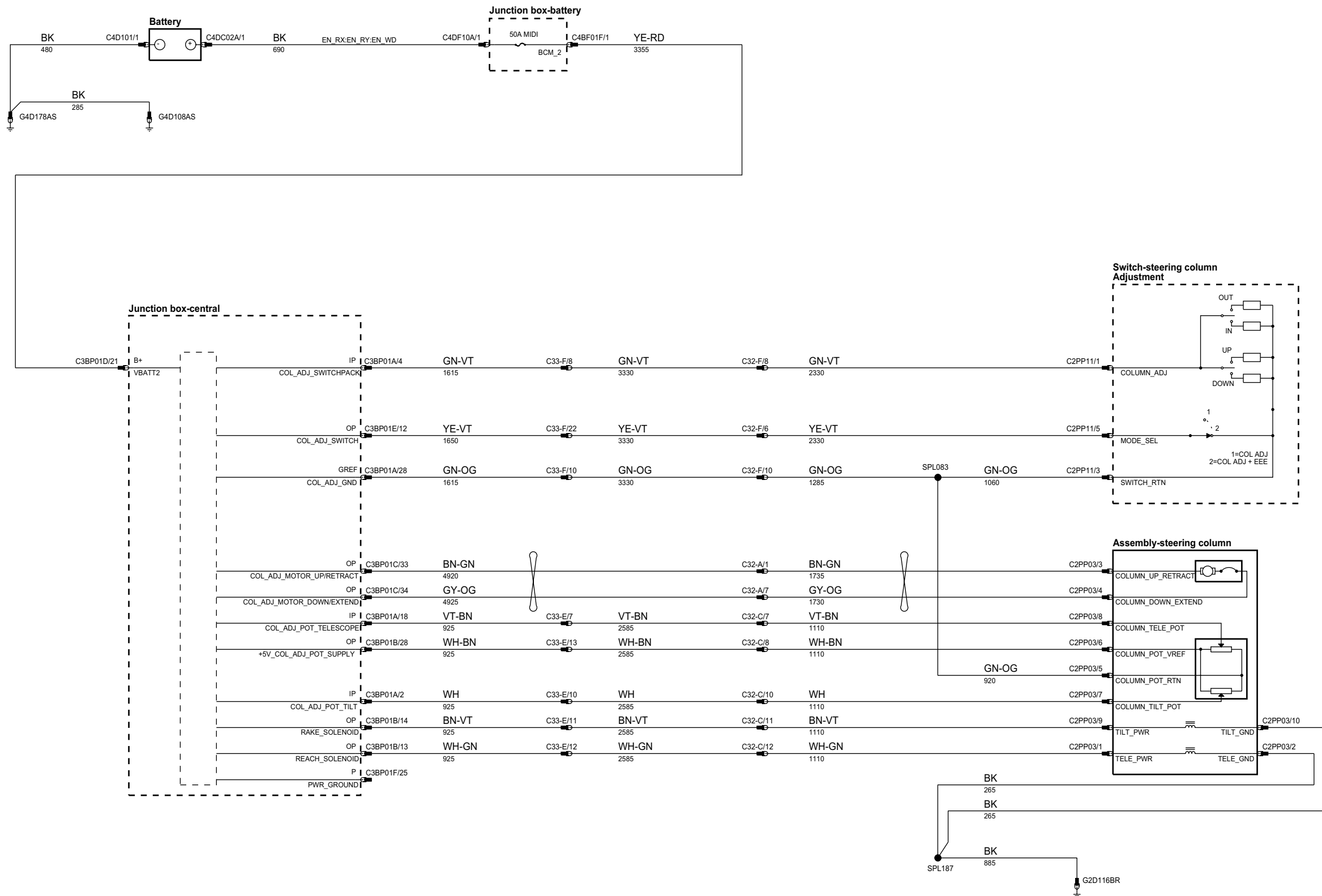
phcw93-70165-b-a3



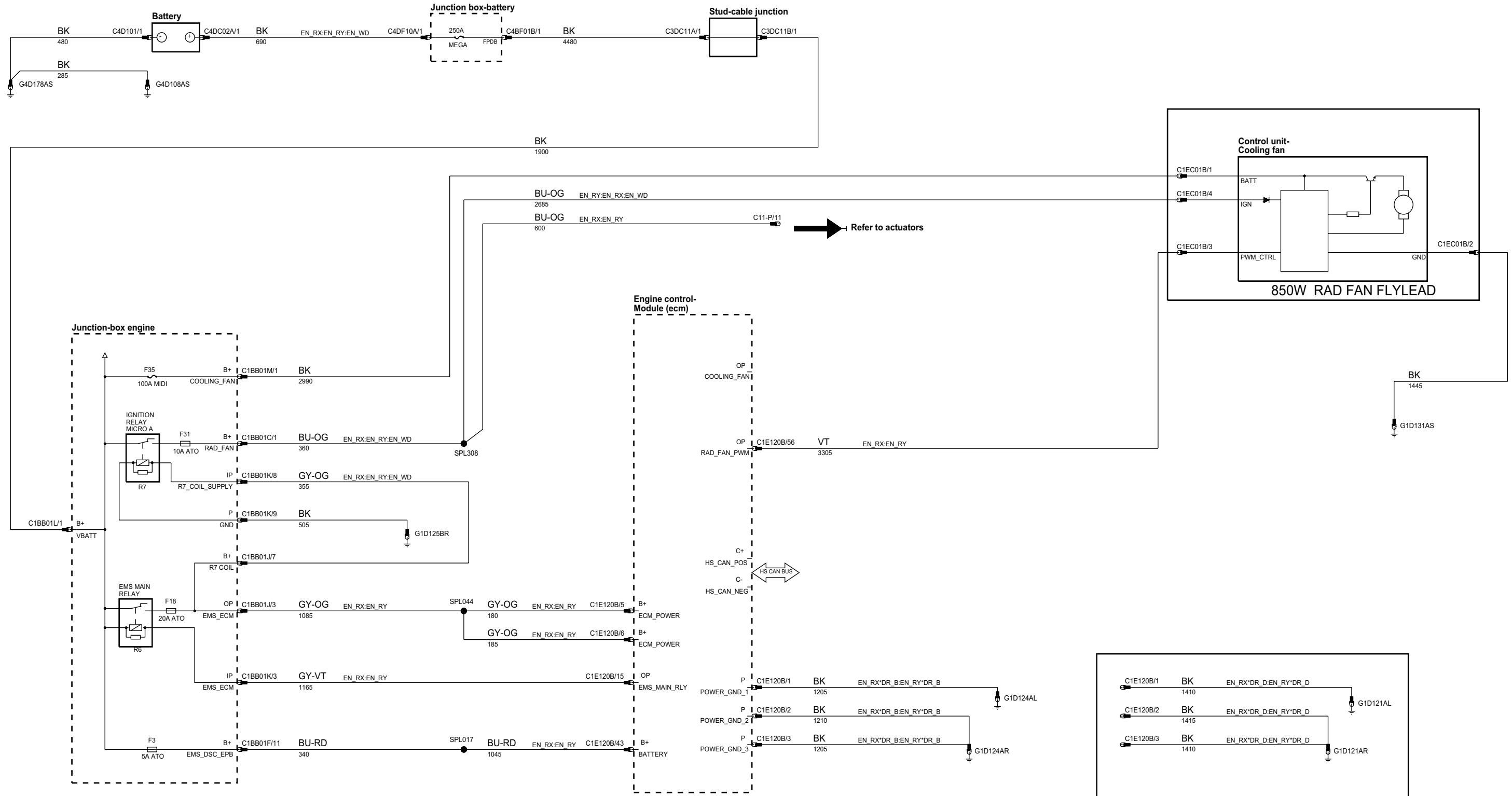
phcw93-70170-a-a3



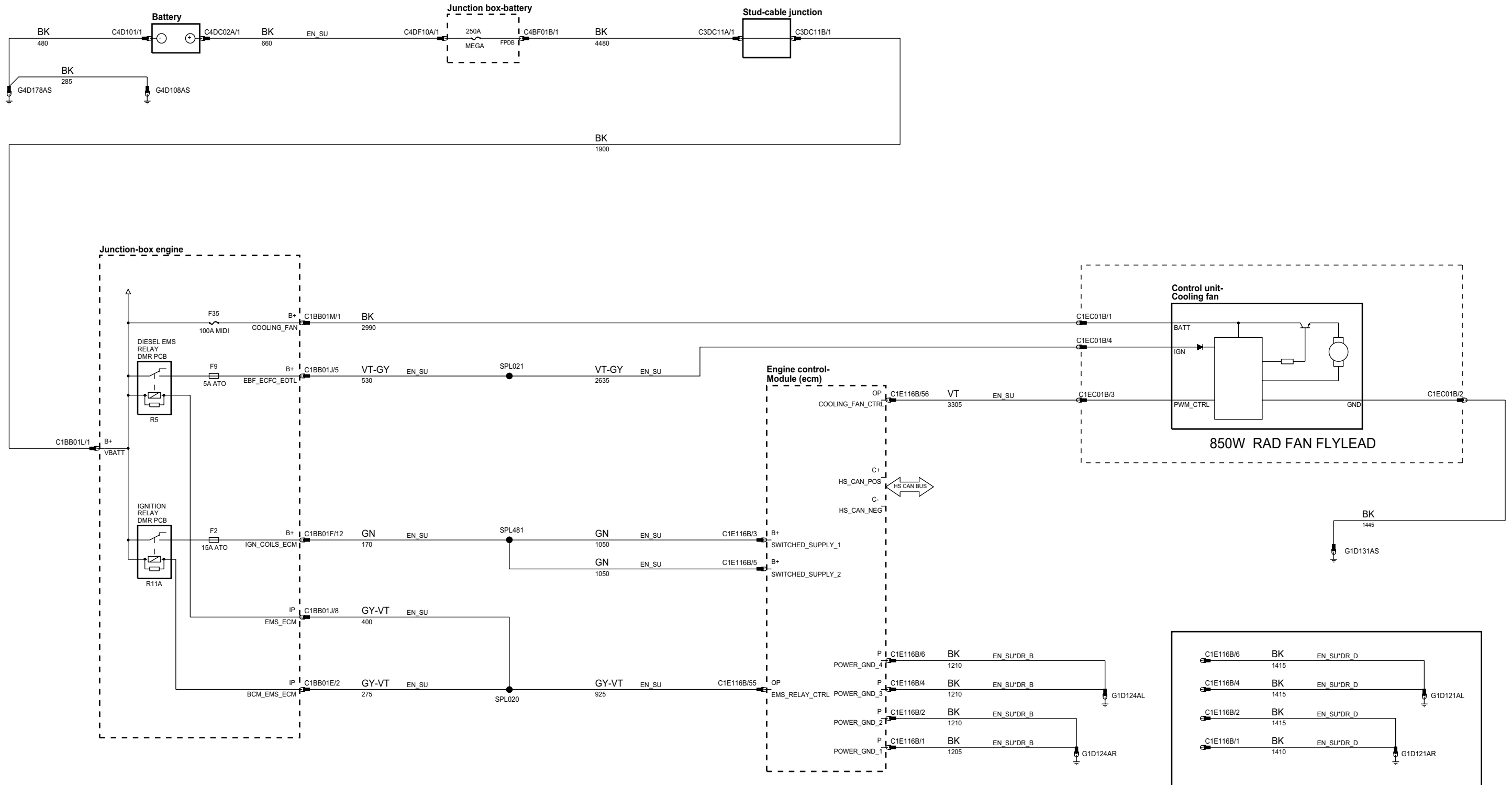
phcw93-70360-a-a3



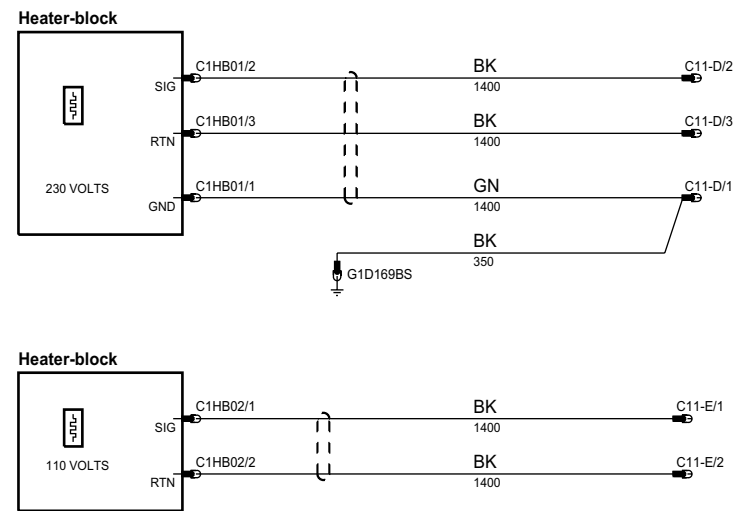
phcw93-70033-a-a3



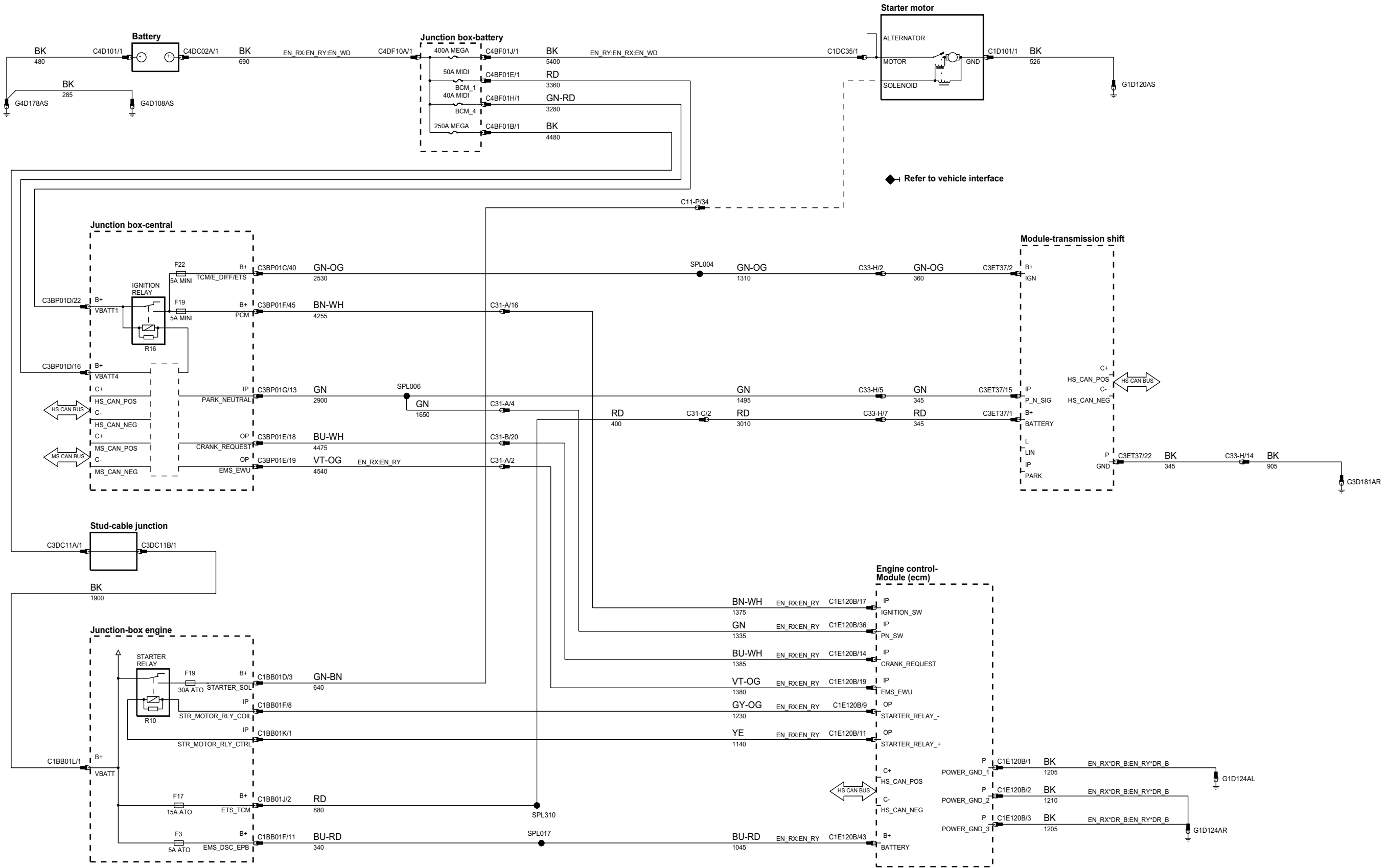
phcw93-70033-d-a3



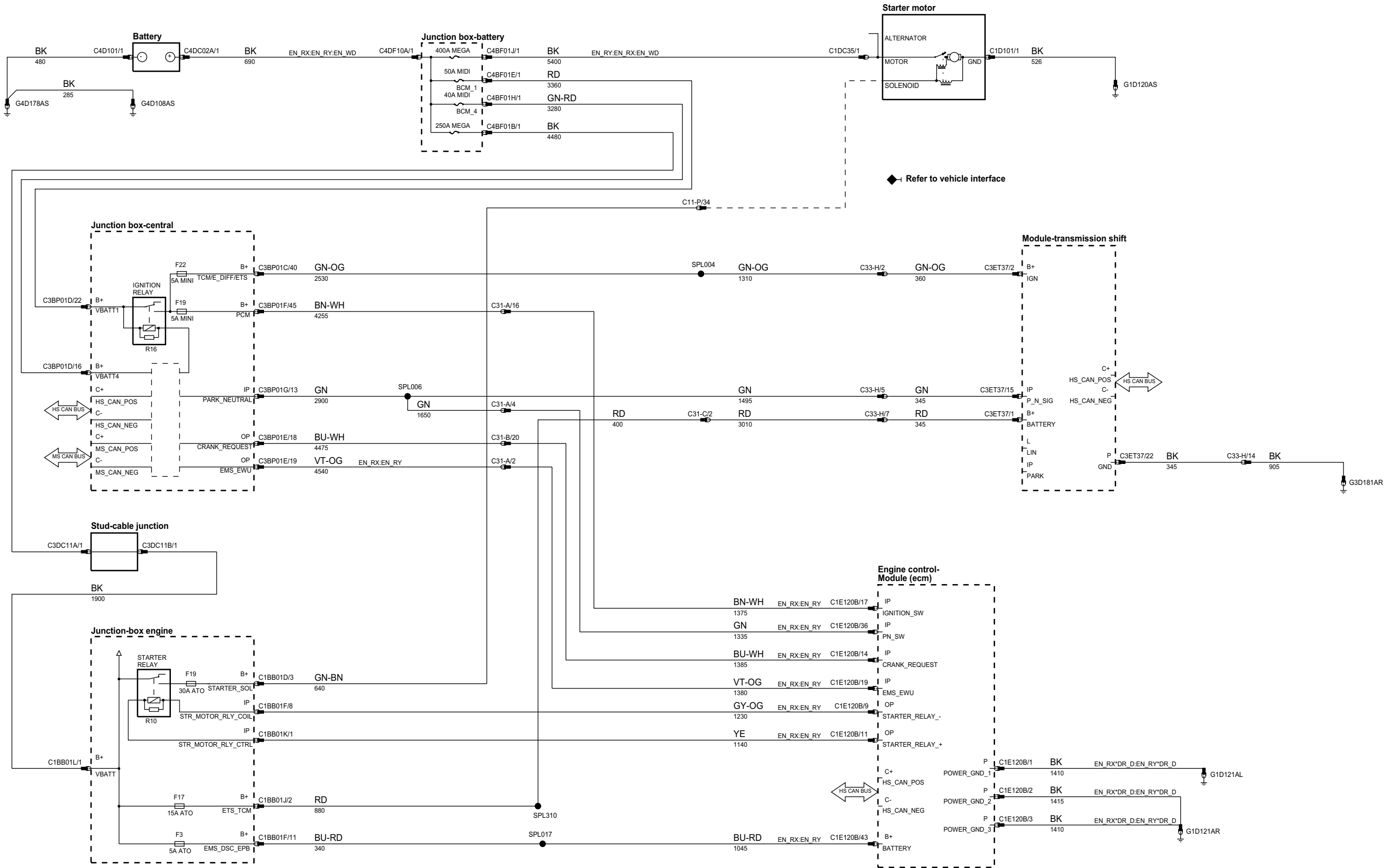
phw93-70365-b-a3



phcw93-70021-a-a3

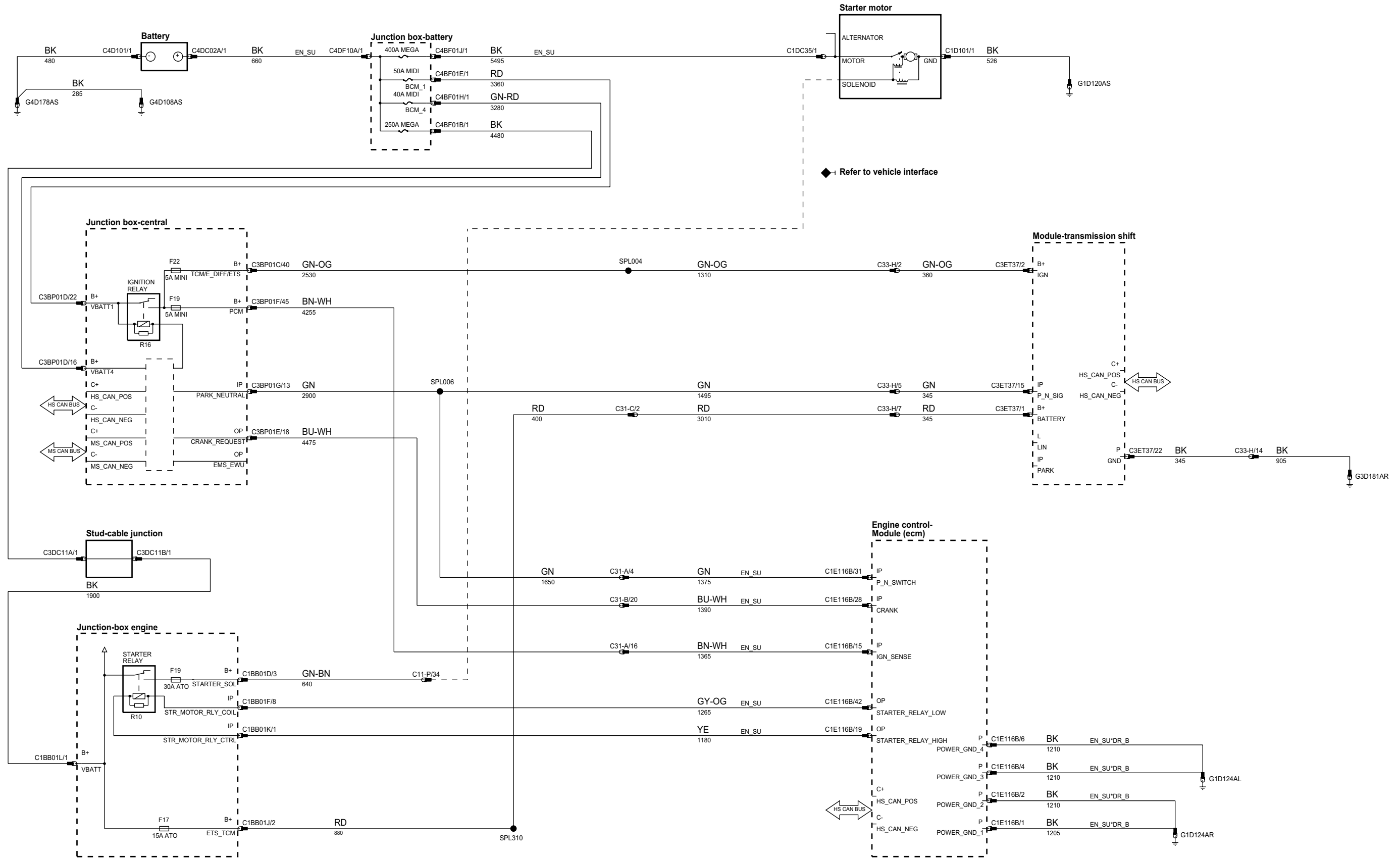


phcw93-70021-e-a3

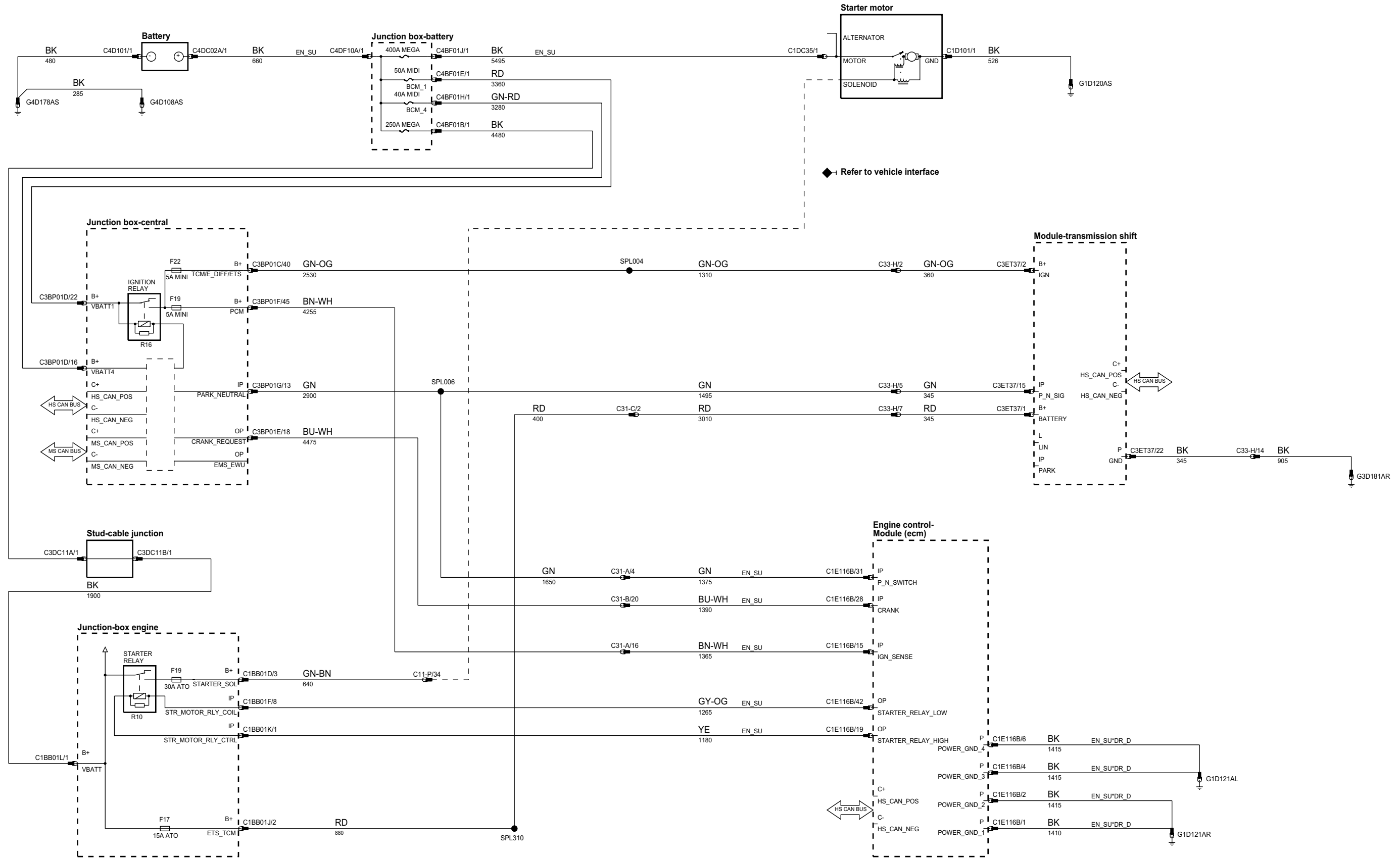




phcw93-70021-d-a3

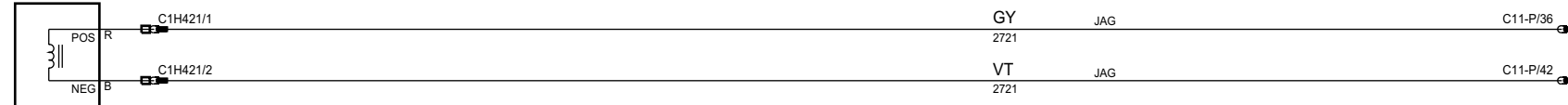


phcw93-70021-d2-a3



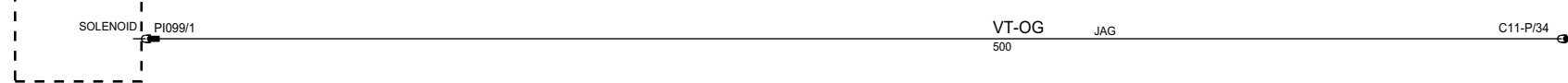
pha133-70031-a-a5

**Air conditioning (a/c)  
Compressor solenoid**



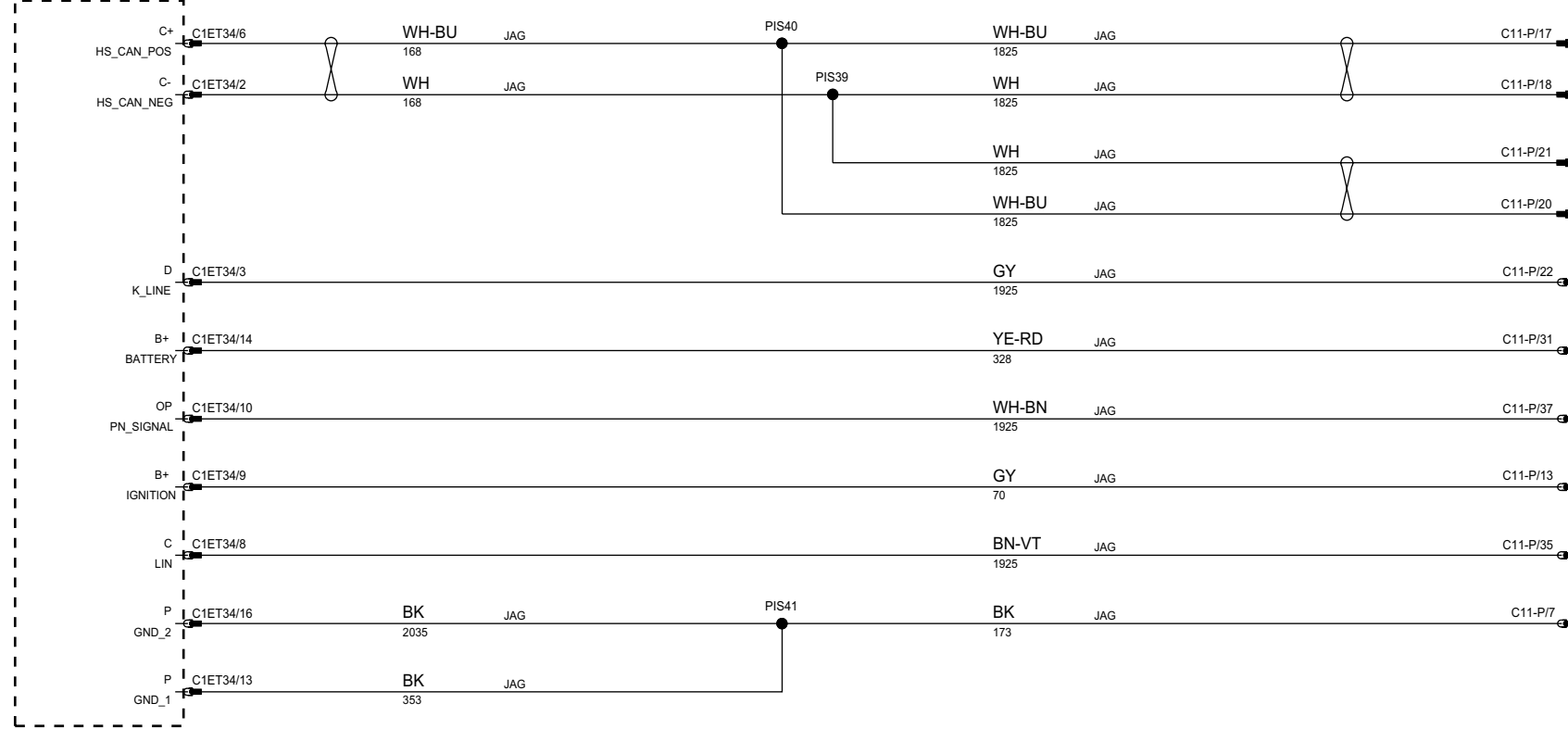
← Refer to climate control

**Starter motor**



← Refer to engine junction box

**Transmission control  
Module**

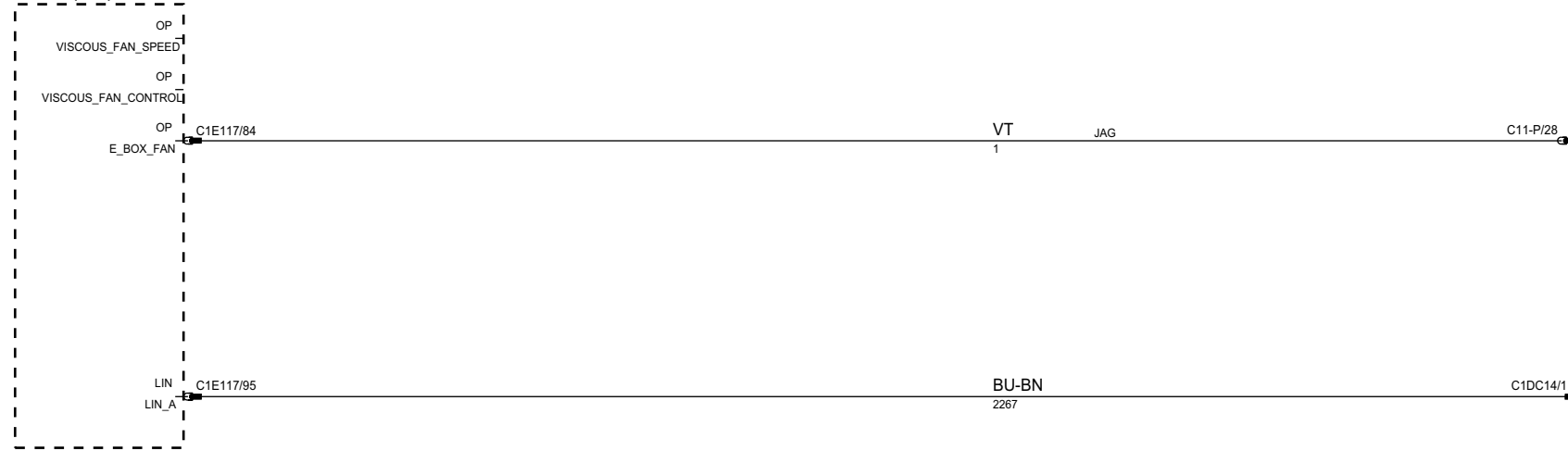


→ Refer to can bus - high speed

← Refer to engine junction box

→ Refer to transmission

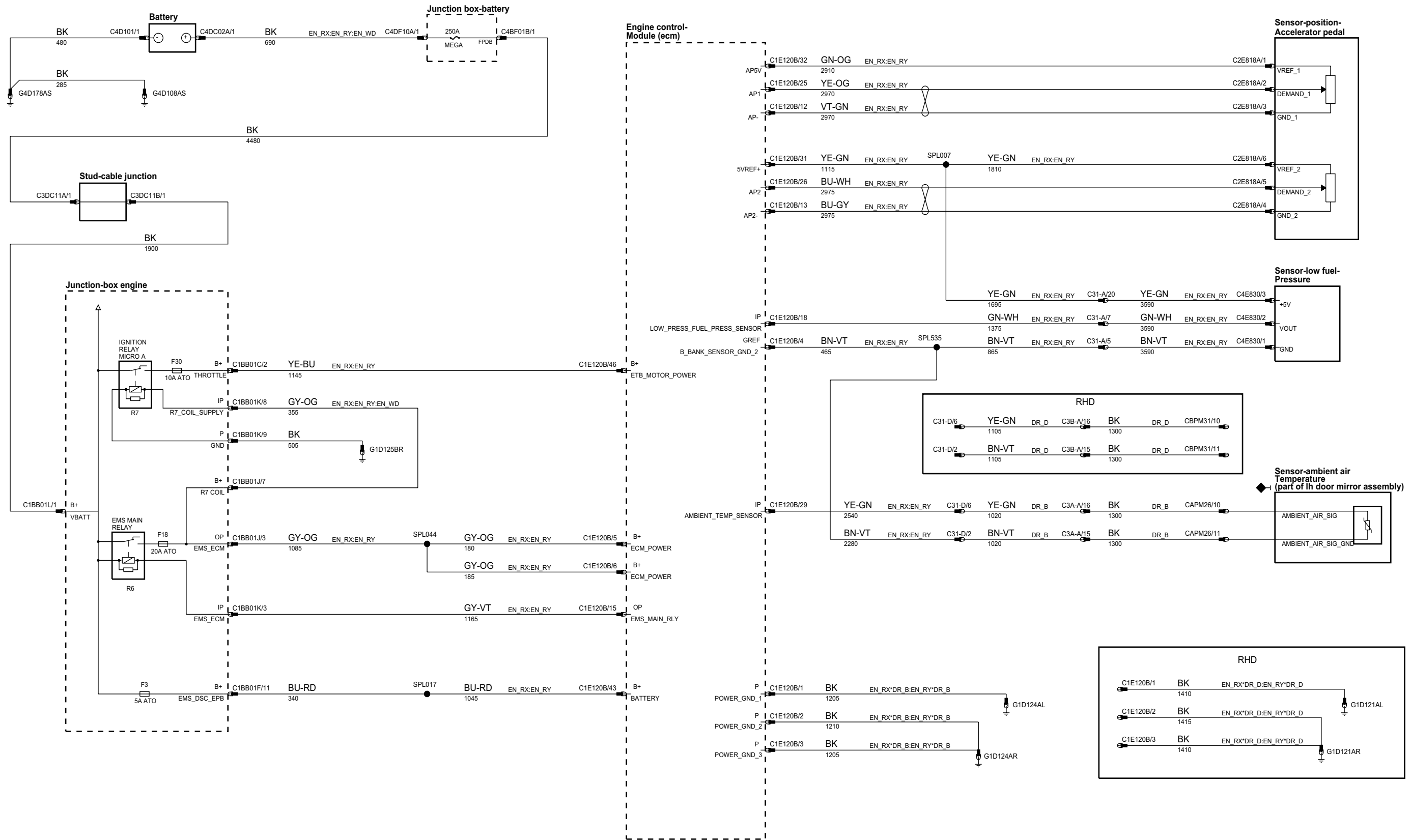
**Engine control-  
Module (ecm)**



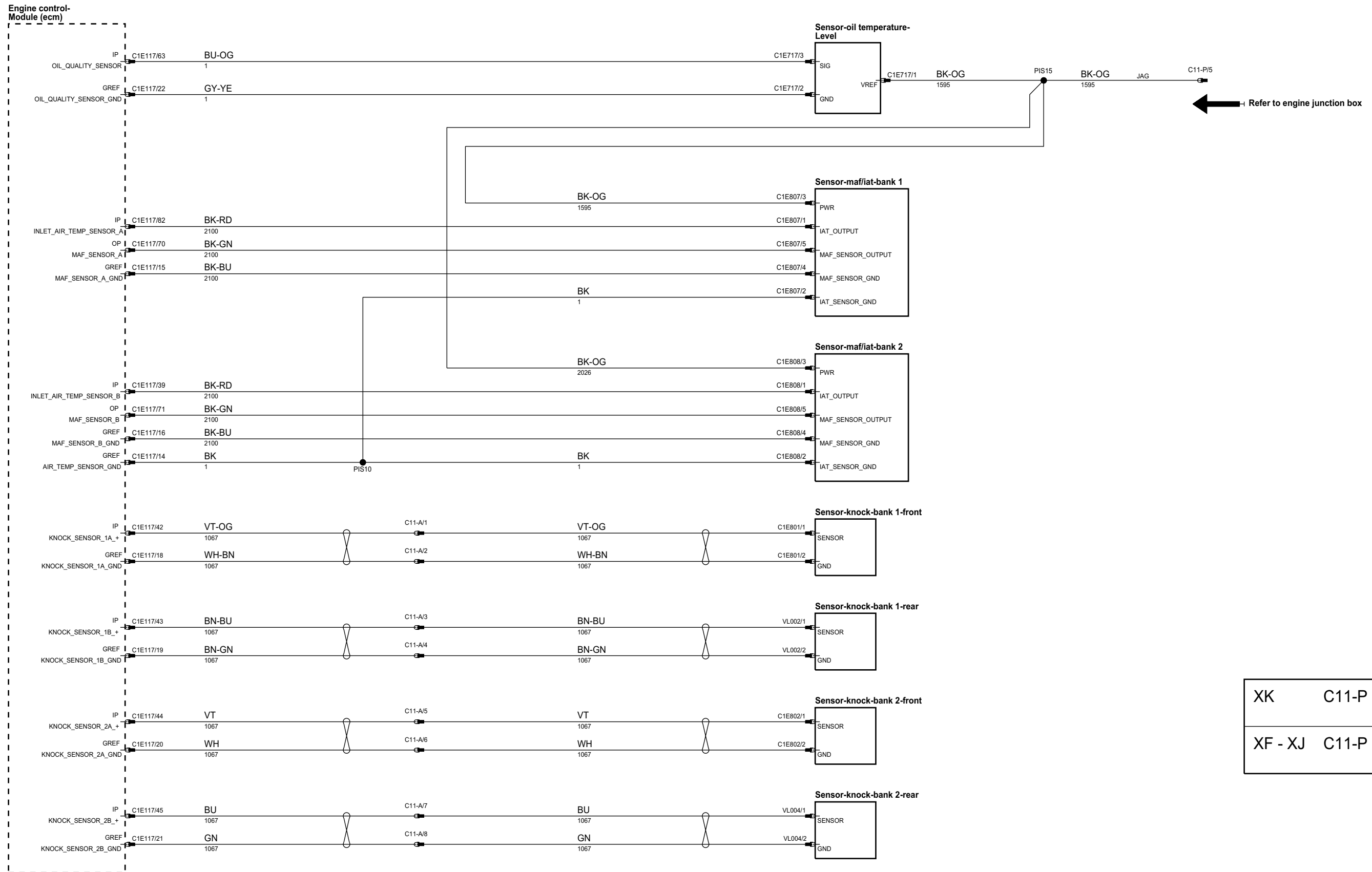
← Refer to engine junction box

XK	C11-P = PI041
XF - XJ	C11-P = C11-P

phcw93-70034-a-a3

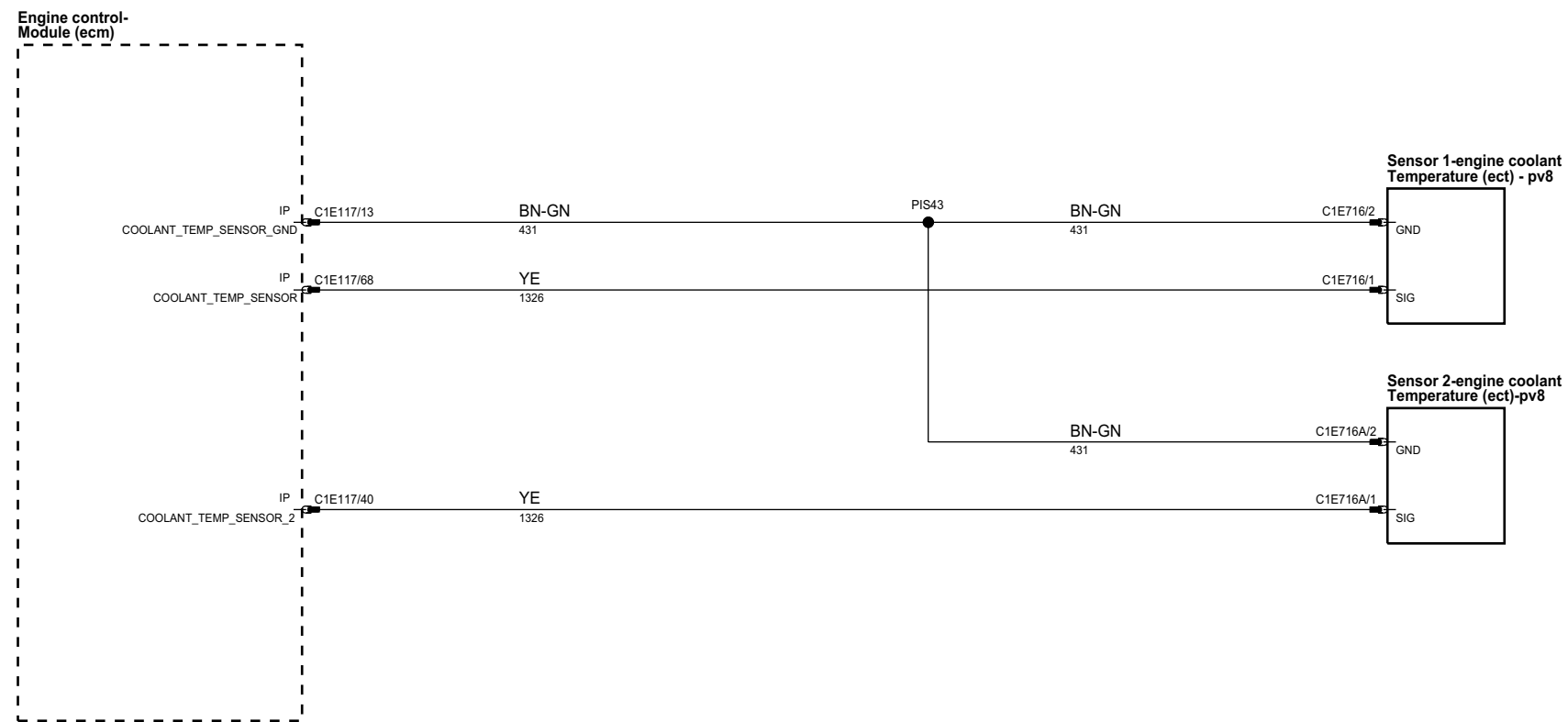


pha133-70035-j-a5

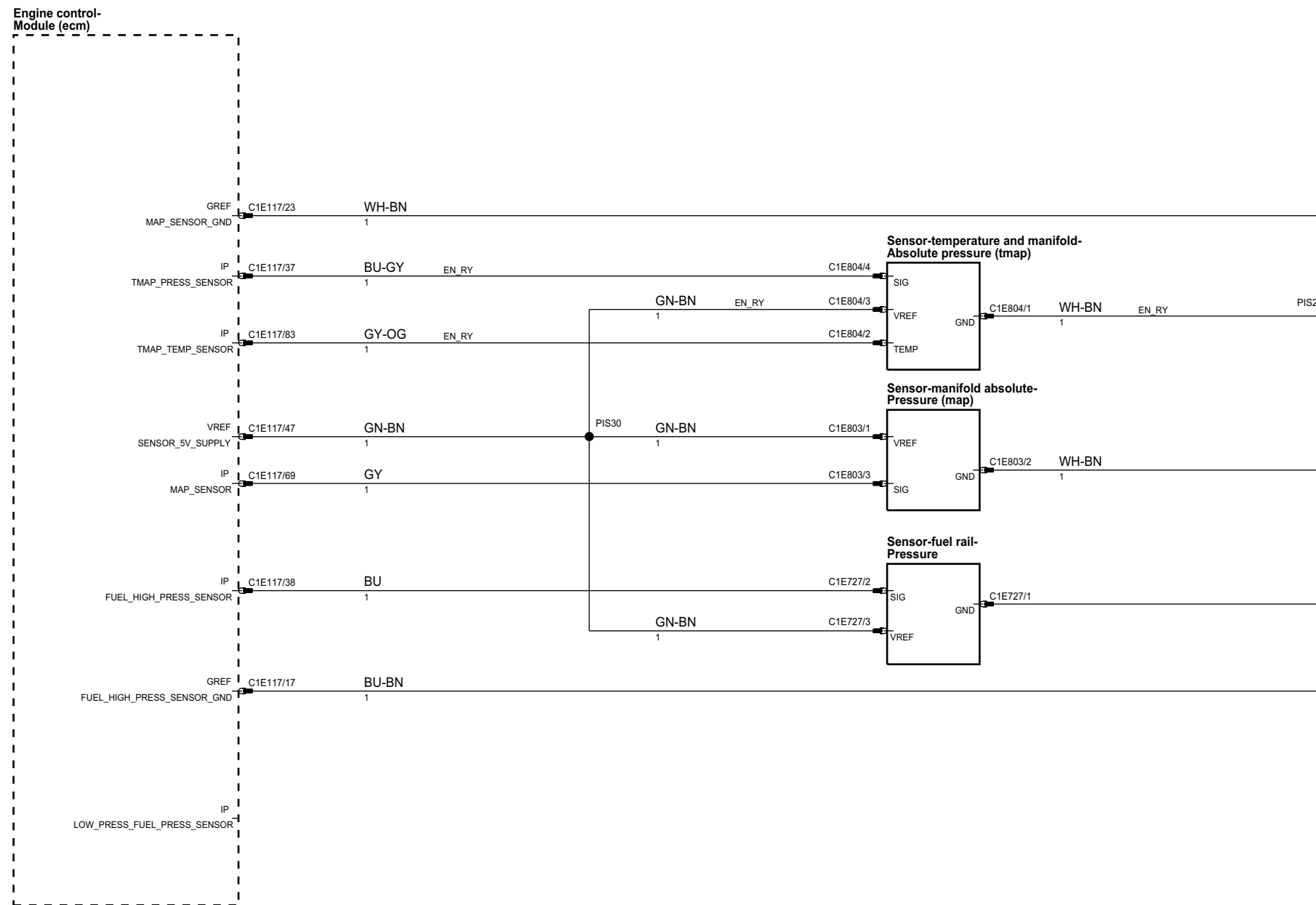


XK	C11-P = PI041
XF - XJ	C11-P = C11-P

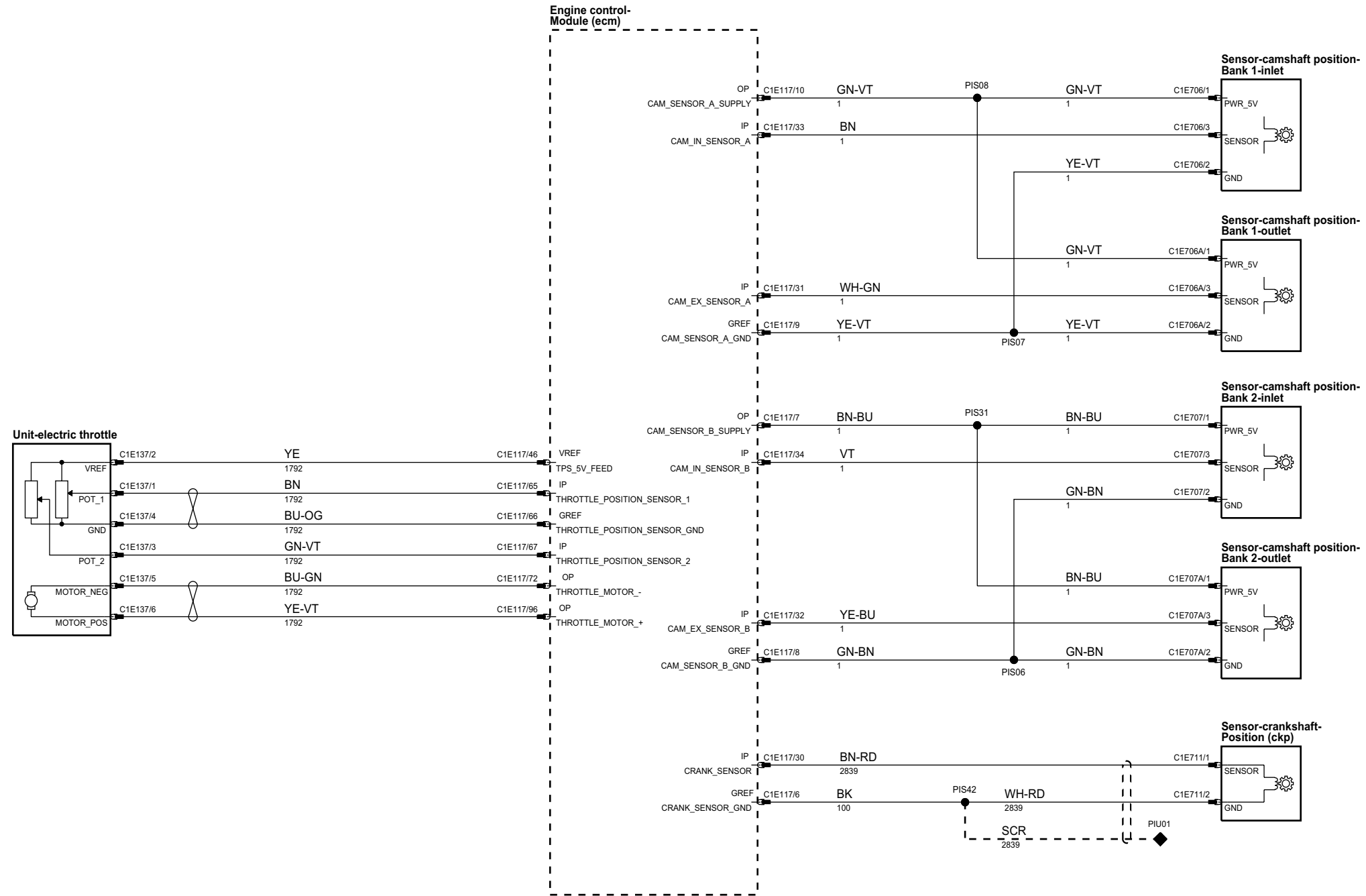
phj133-70035-b-a5



pha133-70035-ca5

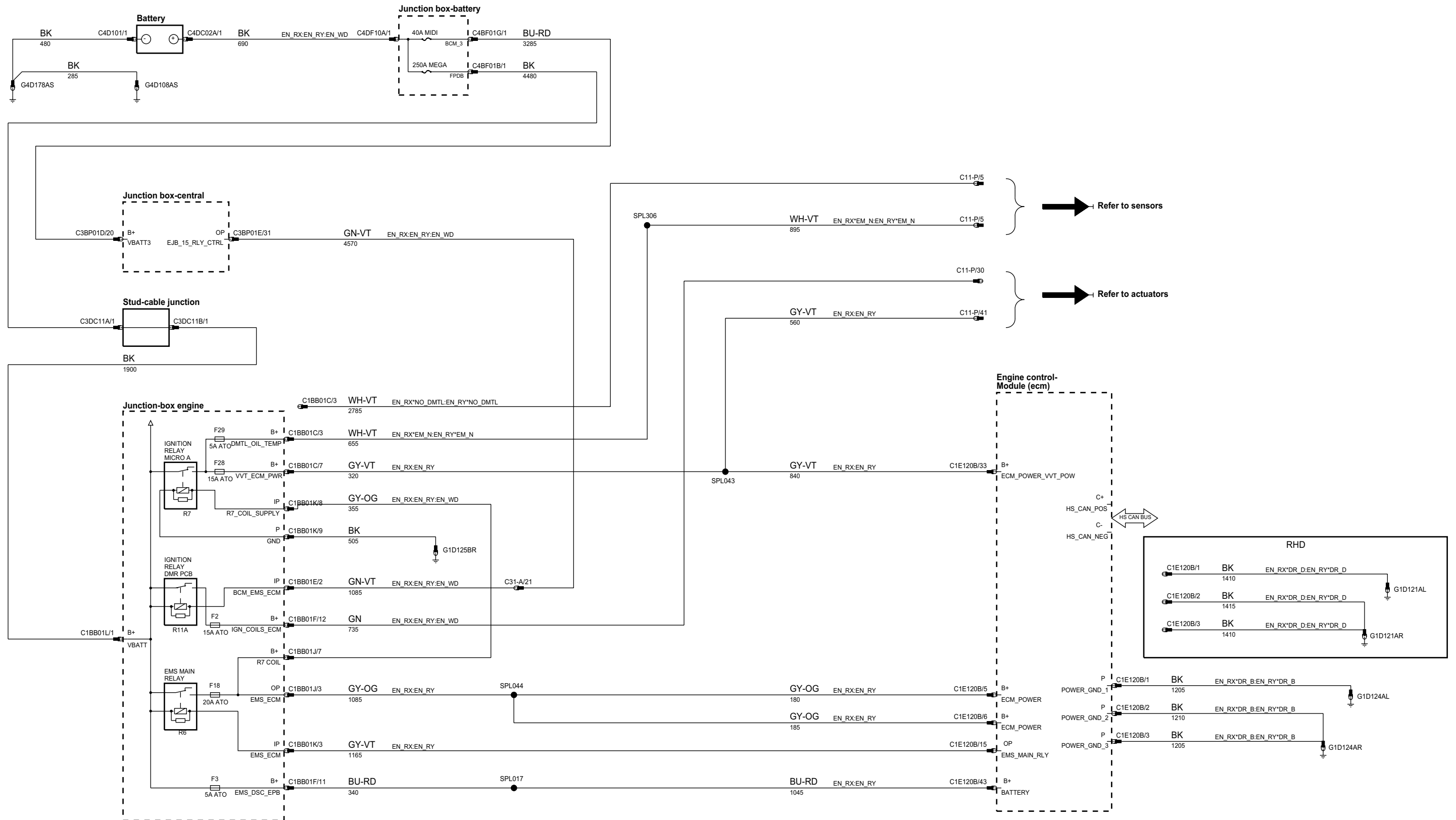


phaj133-70035-d-a5

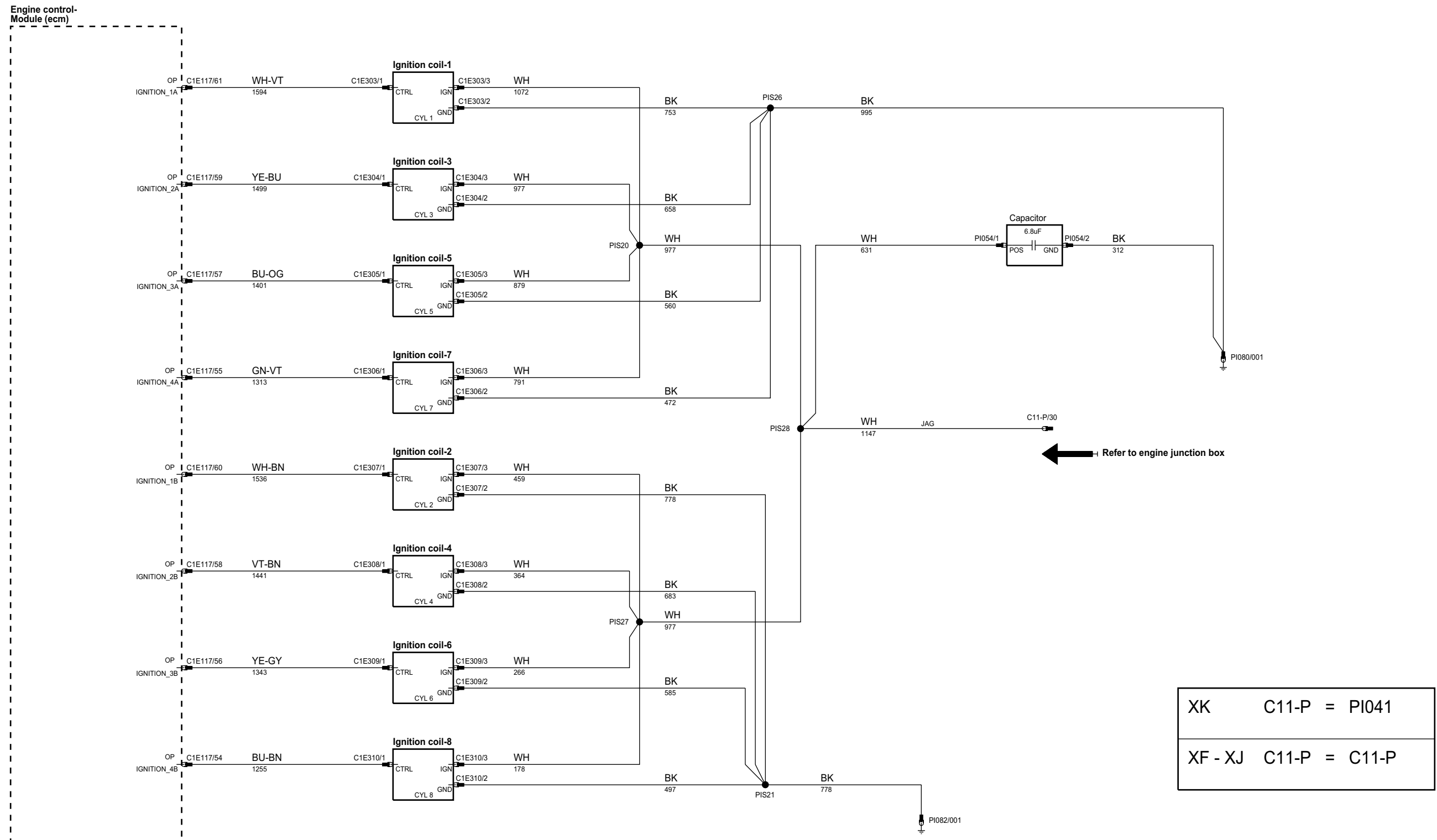




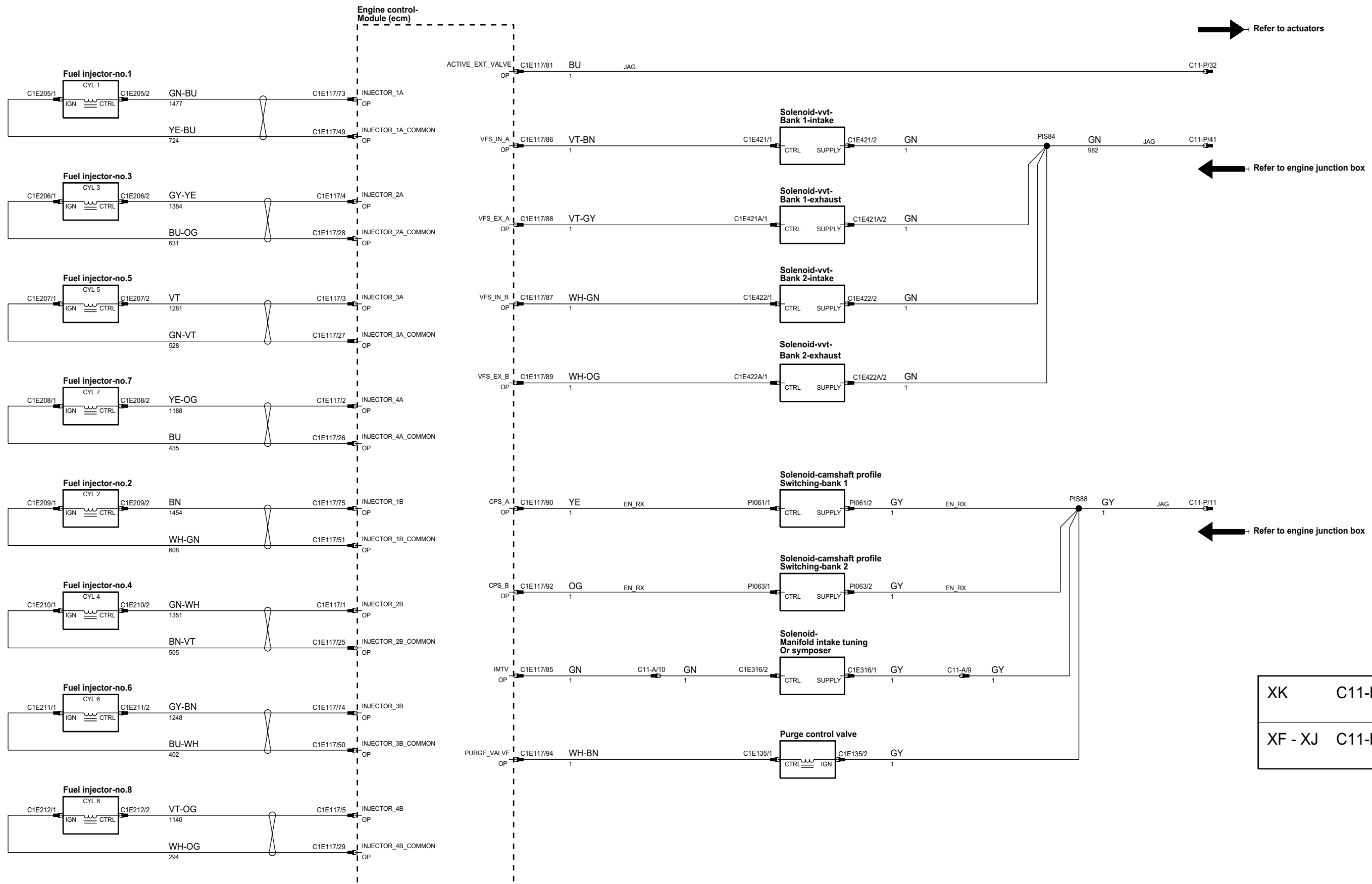
phcw93-70038-a-a3



phj133-70035-4-a5

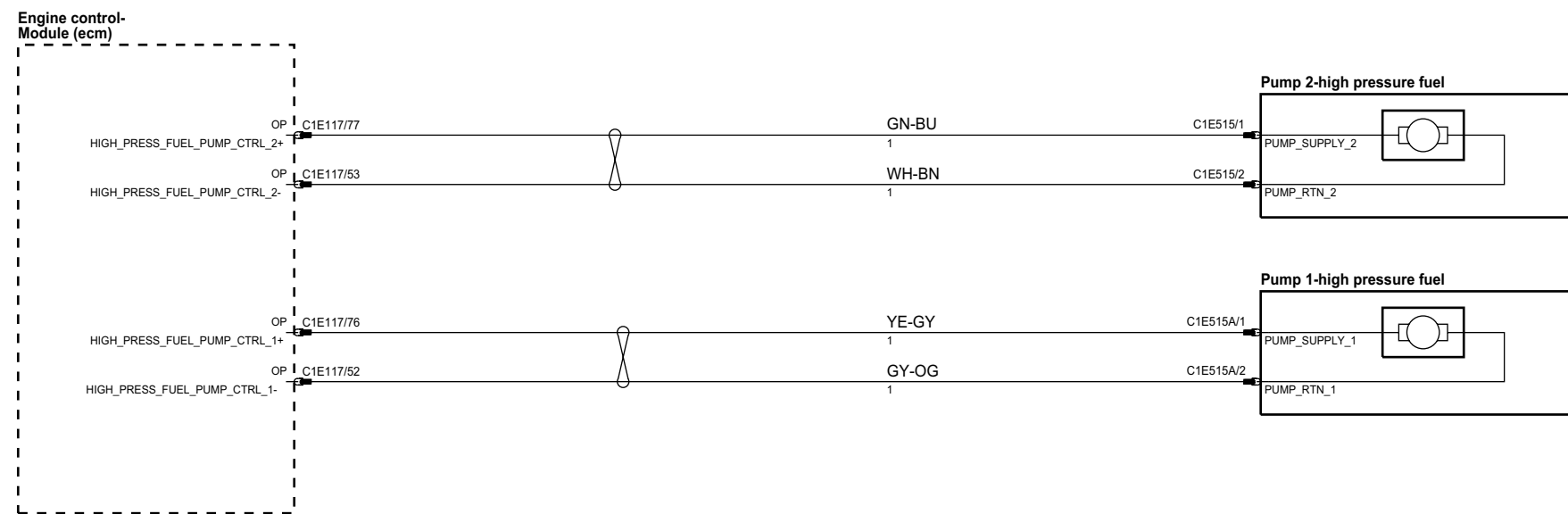


pha133-70035-g-a5

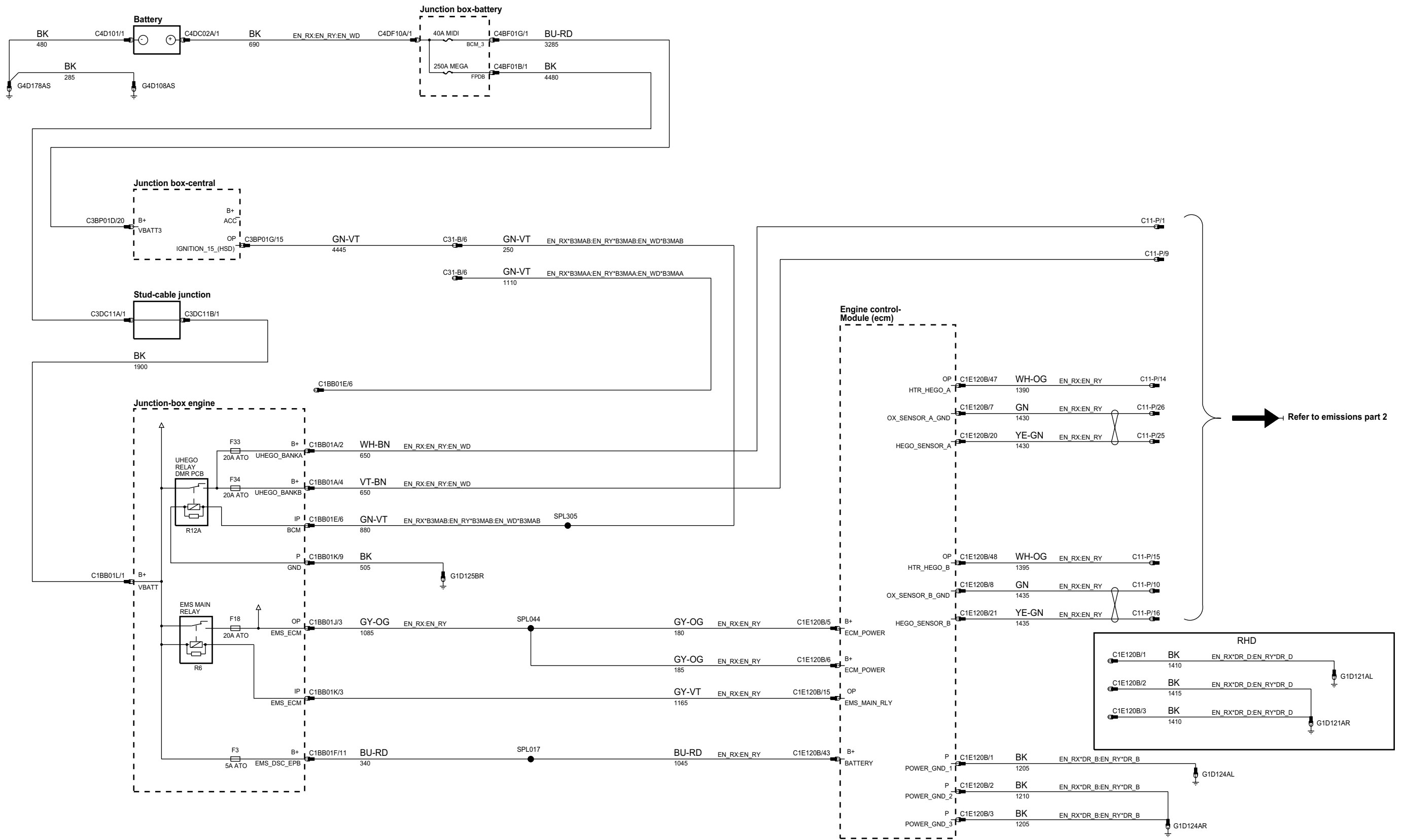


XK	C11-P = PI041
XF - XJ	C11-P = C11-P

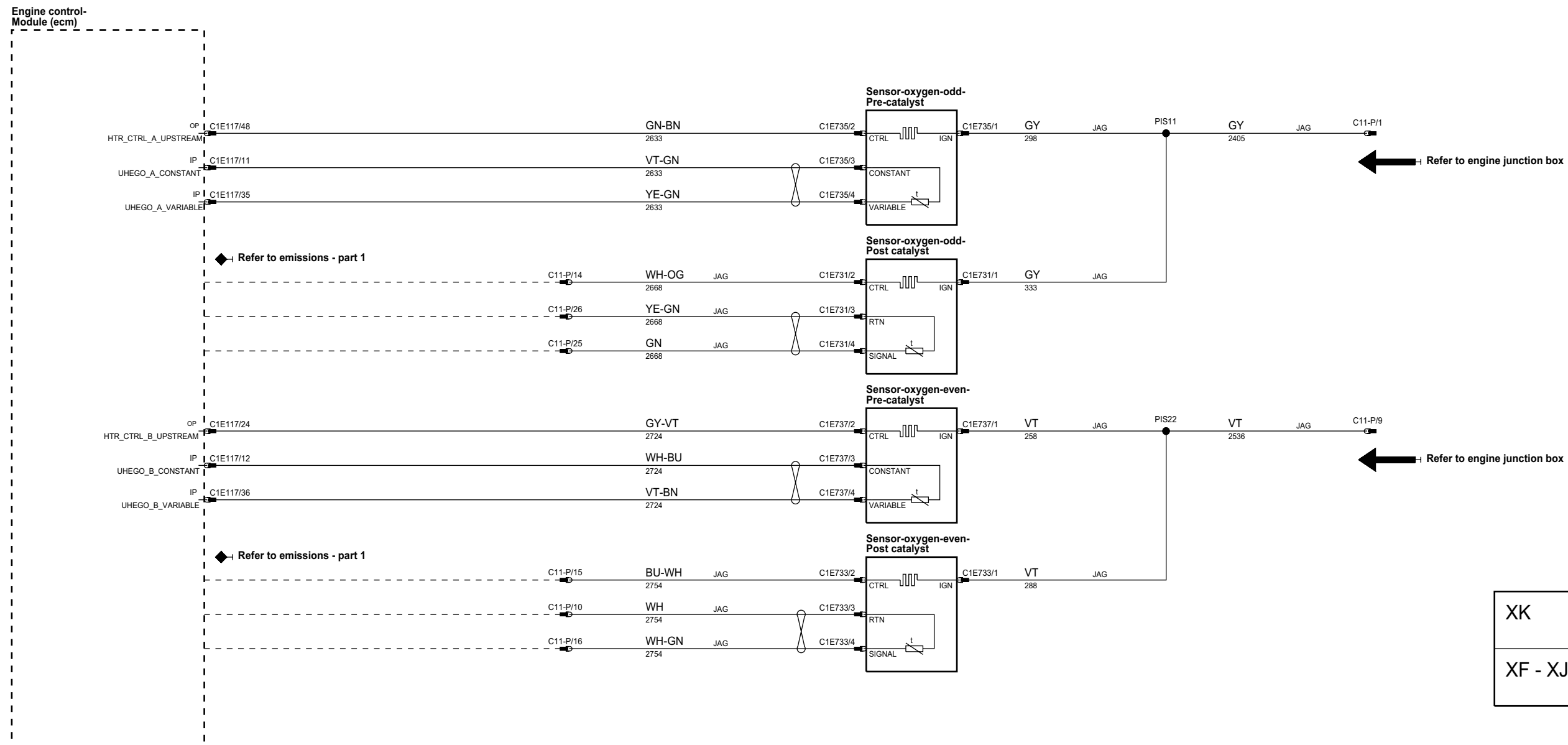
phaj133-70035-h-a5



phcw93-70035-a-a3

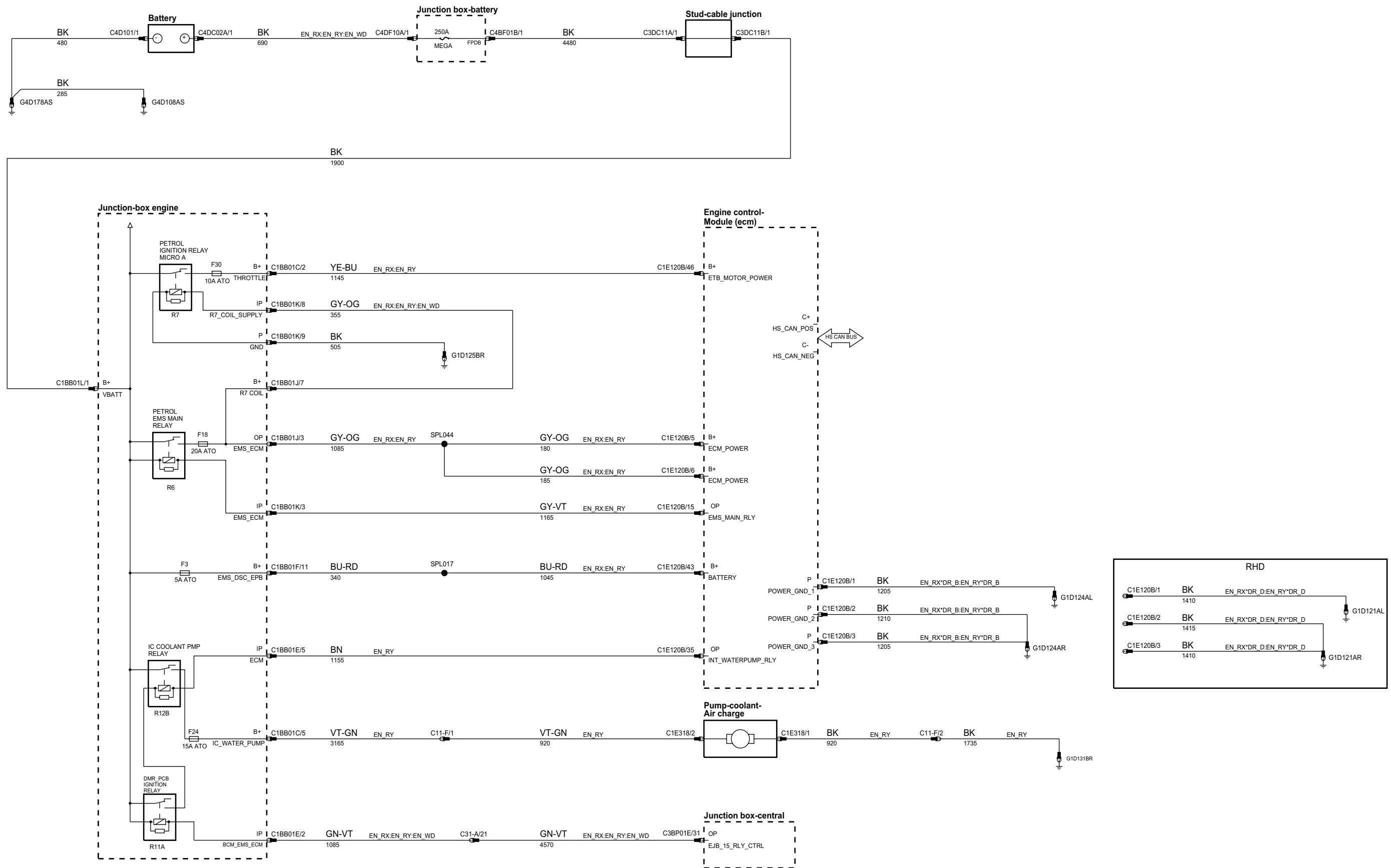


phaj133-70035-e-a5



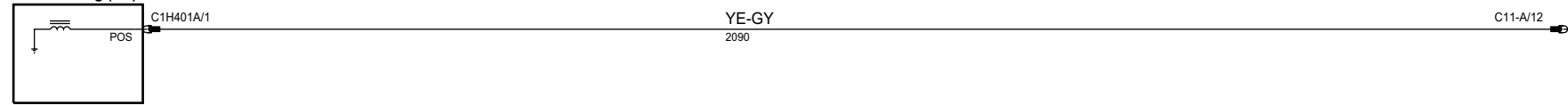
XK	C11-P = PI041
XF - XJ	C11-P = C11-P

phcw93-70031-b-a3

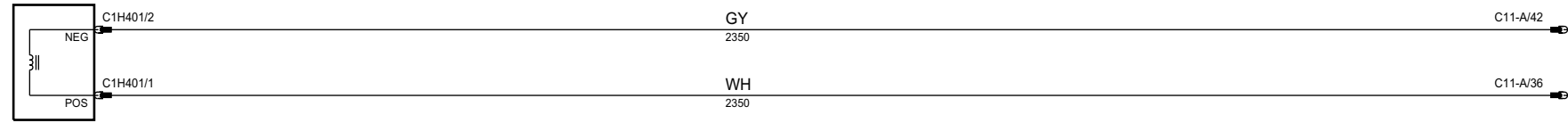


phldv6-70032-a

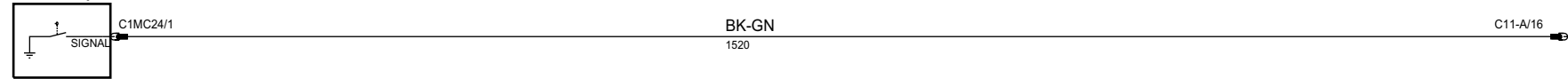
**Clutch-compressor-air-Conditioning (a/c)**



**Refrigerant solenoid Valve**



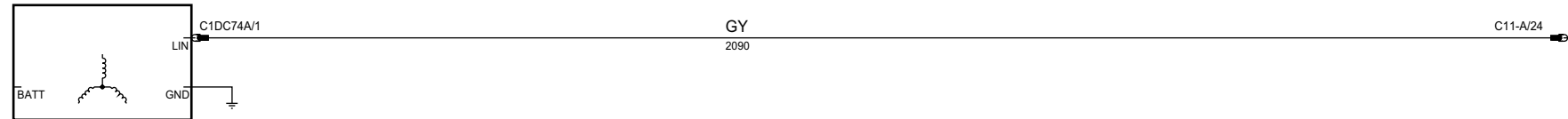
**Switch-oil pressure**



**Starter motor**



**Generator**



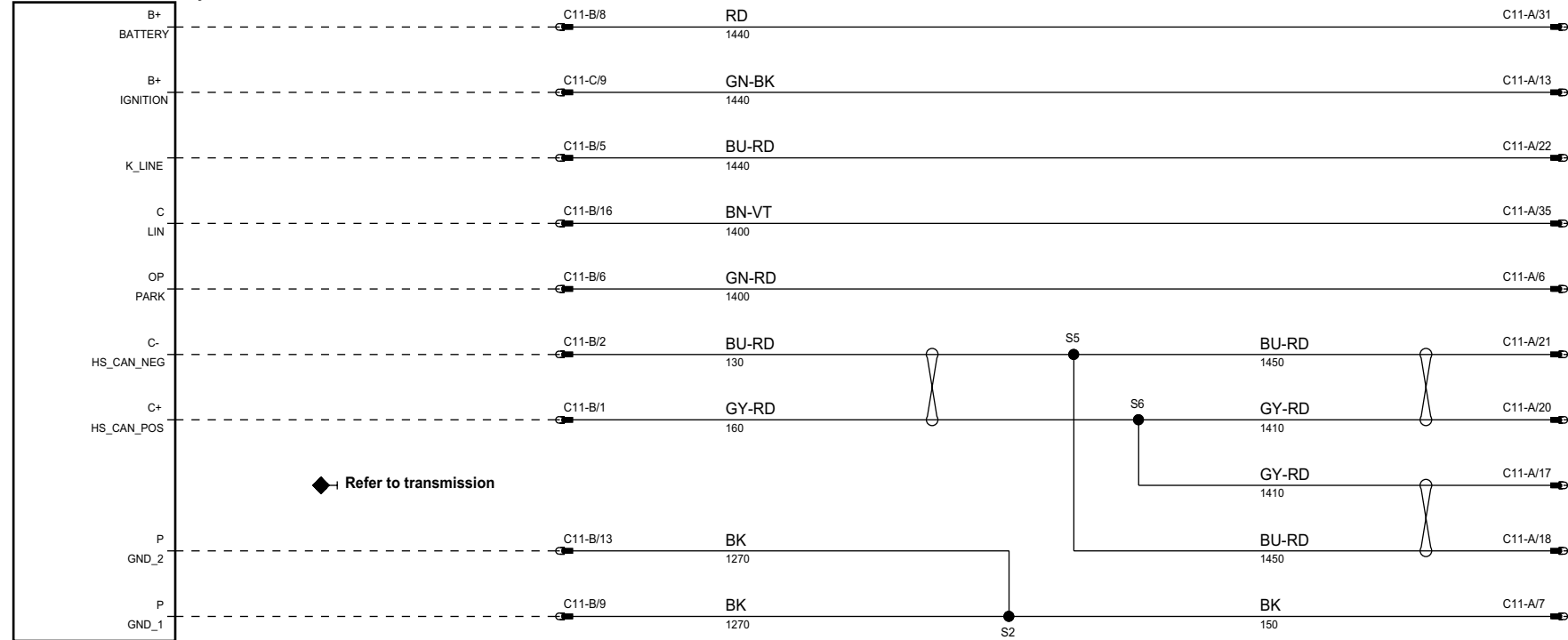
← Refer to climate control

← Refer to instrument cluster

← Refer to dv6 - starting

← Refer to dv6 - charging

**TCM and control valve body**



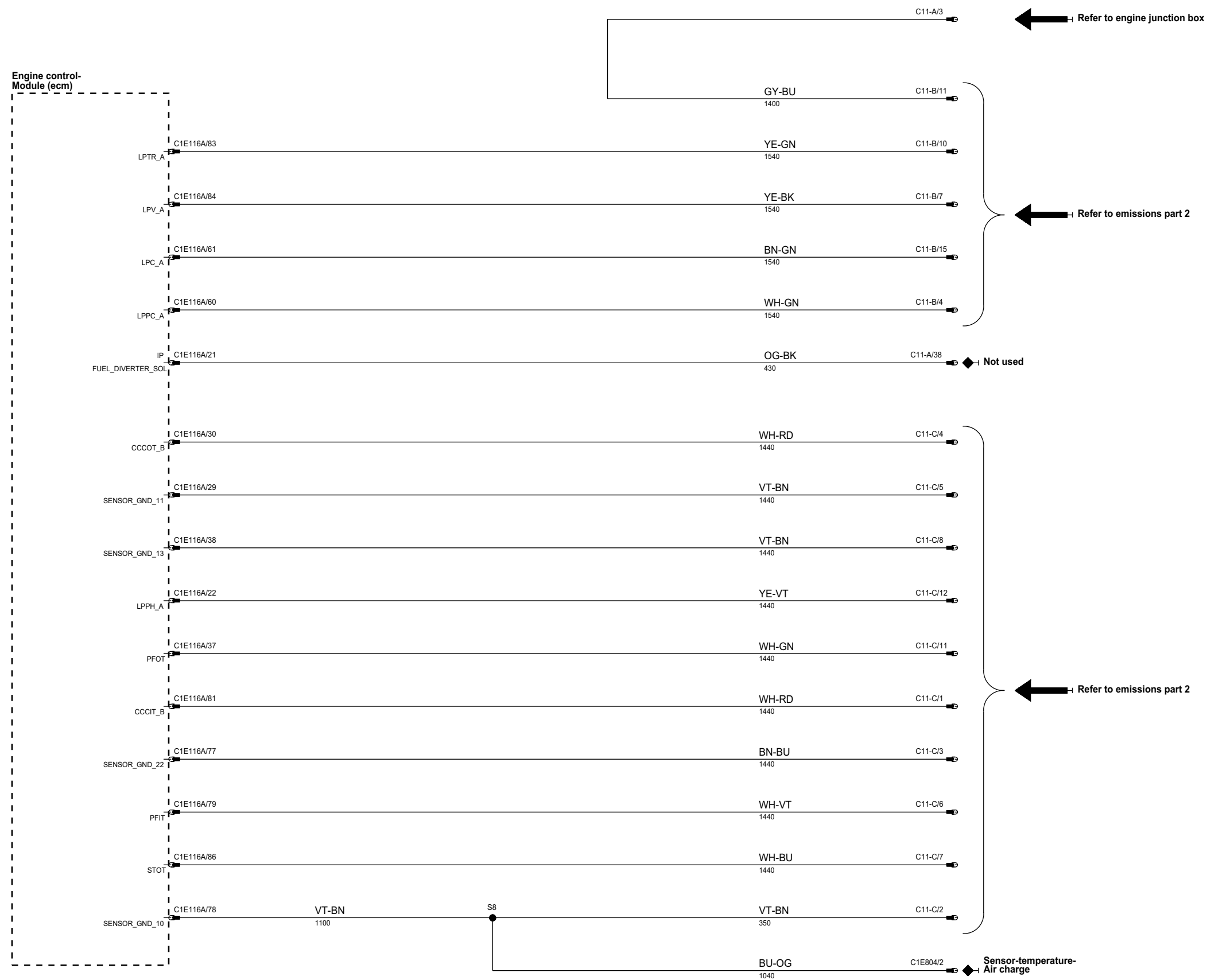
◆ Refer to transmission

← Refer to transmission

C11-A	=	C11-P
C11-B	=	C11-N
C11-C	=	C11-M

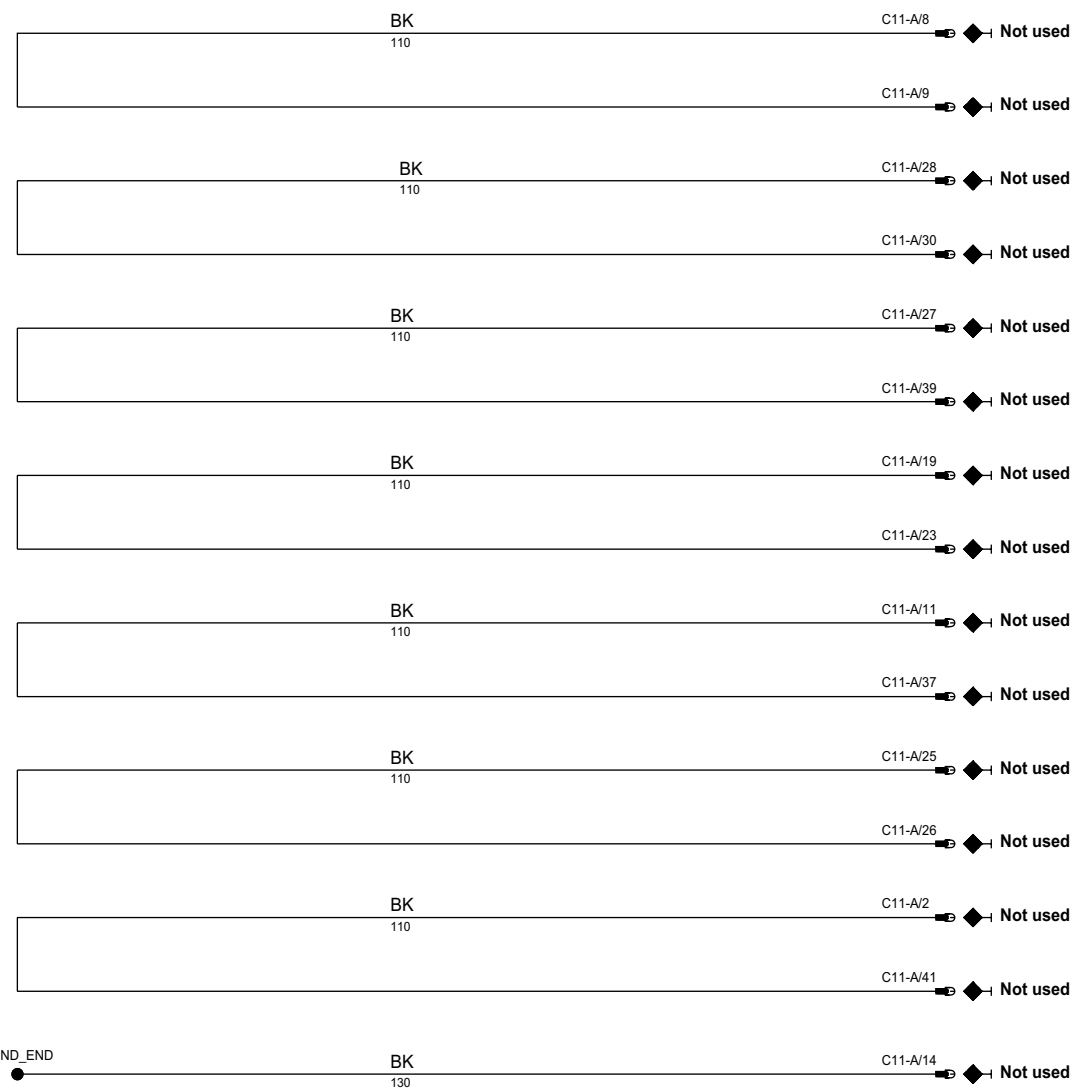
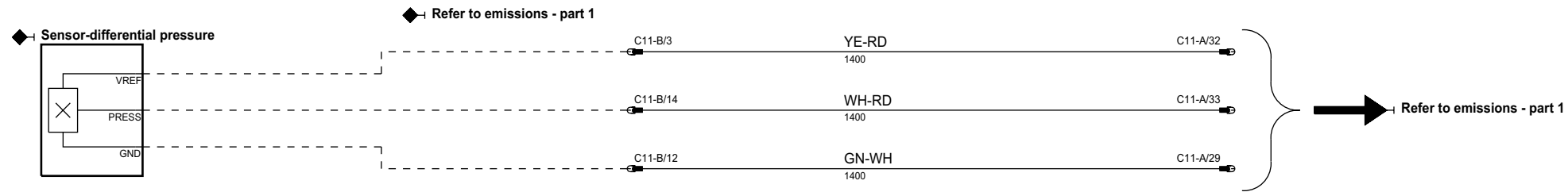


phdv6-70032-b



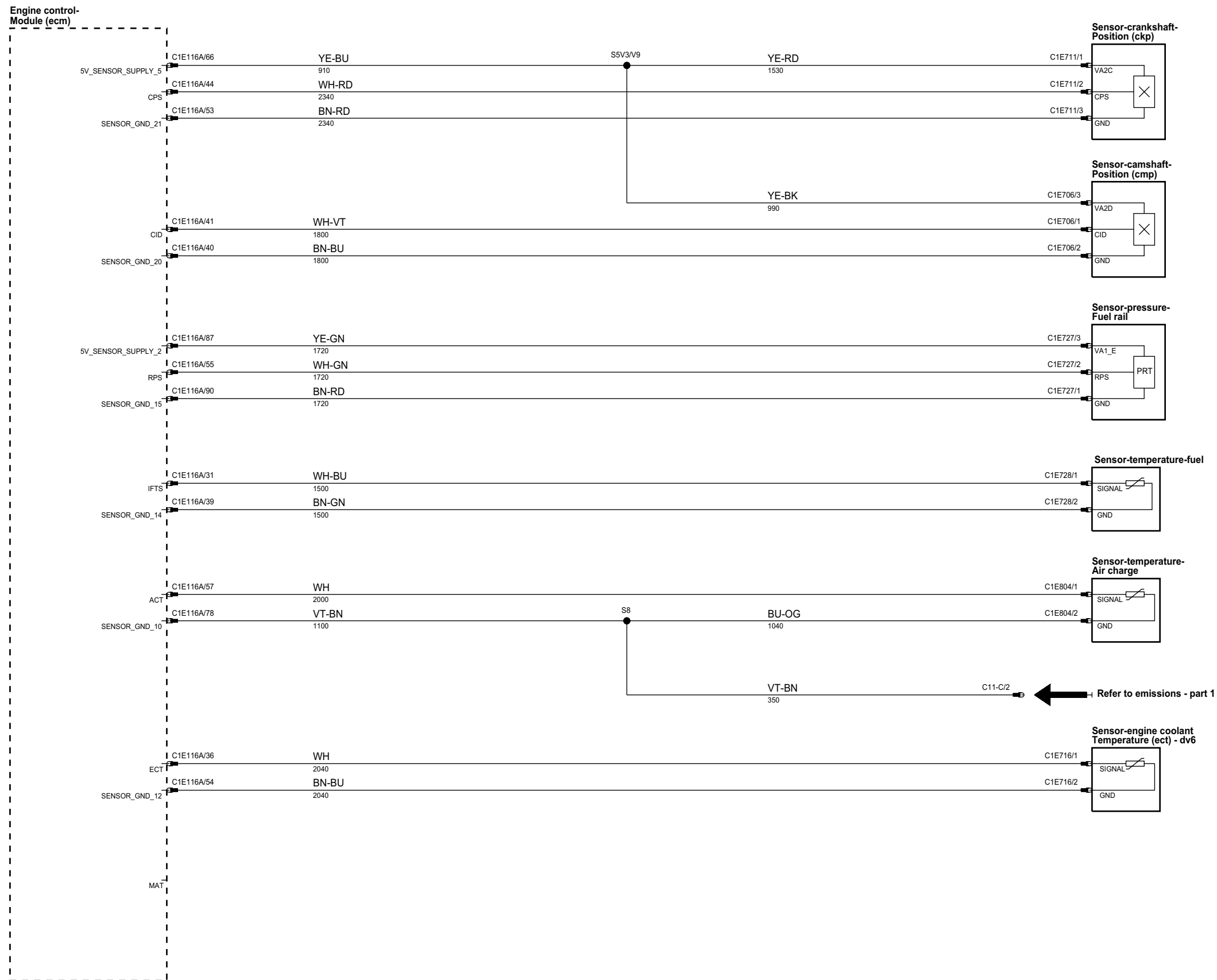
C11-A = C11-P
C11-B = C11-N
C11-C = C11-M

phdv6-70032-c



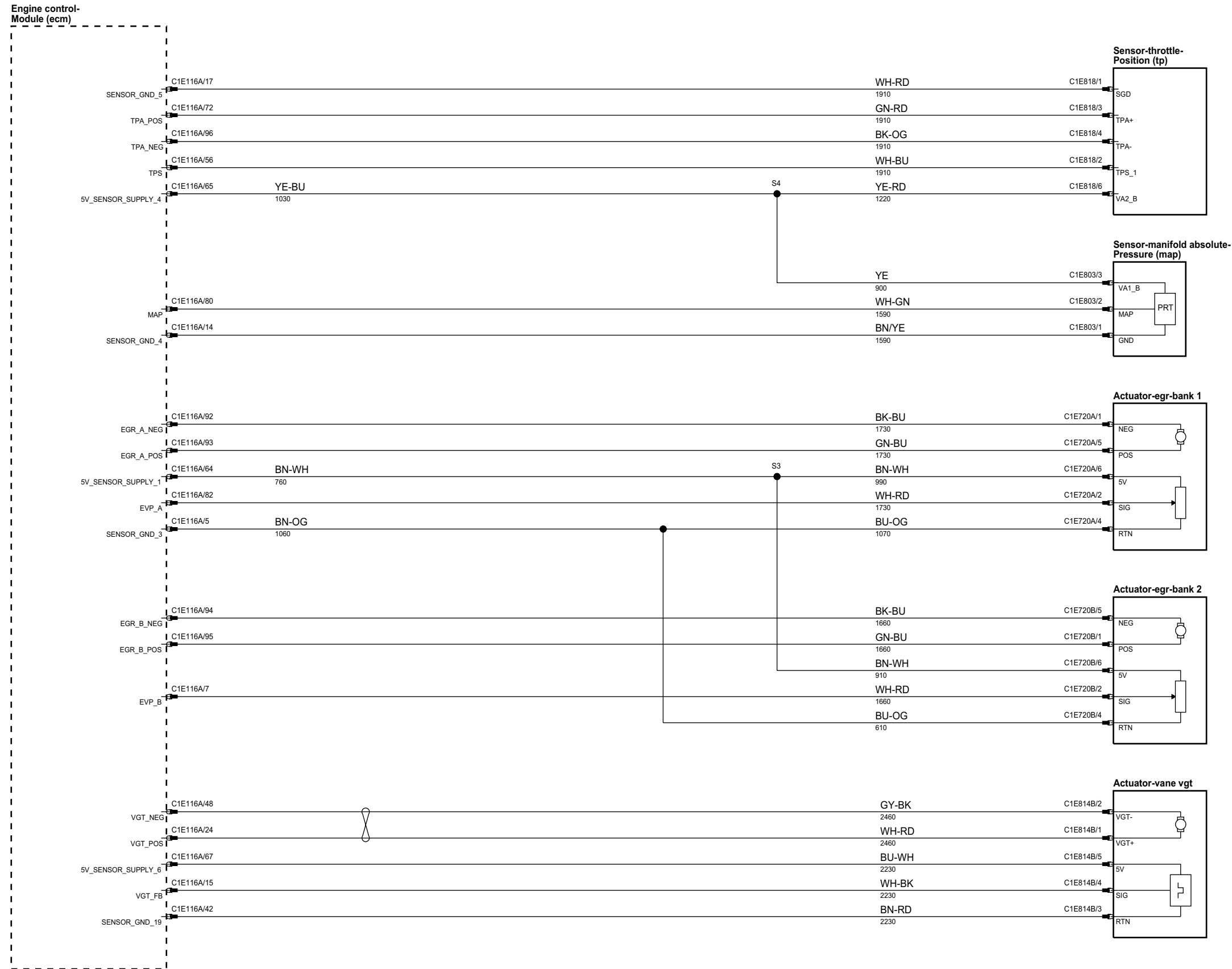
C11-A	=	C11-P
C11-B	=	C11-N
C11-C	=	C11-M

phdv6-70034-a



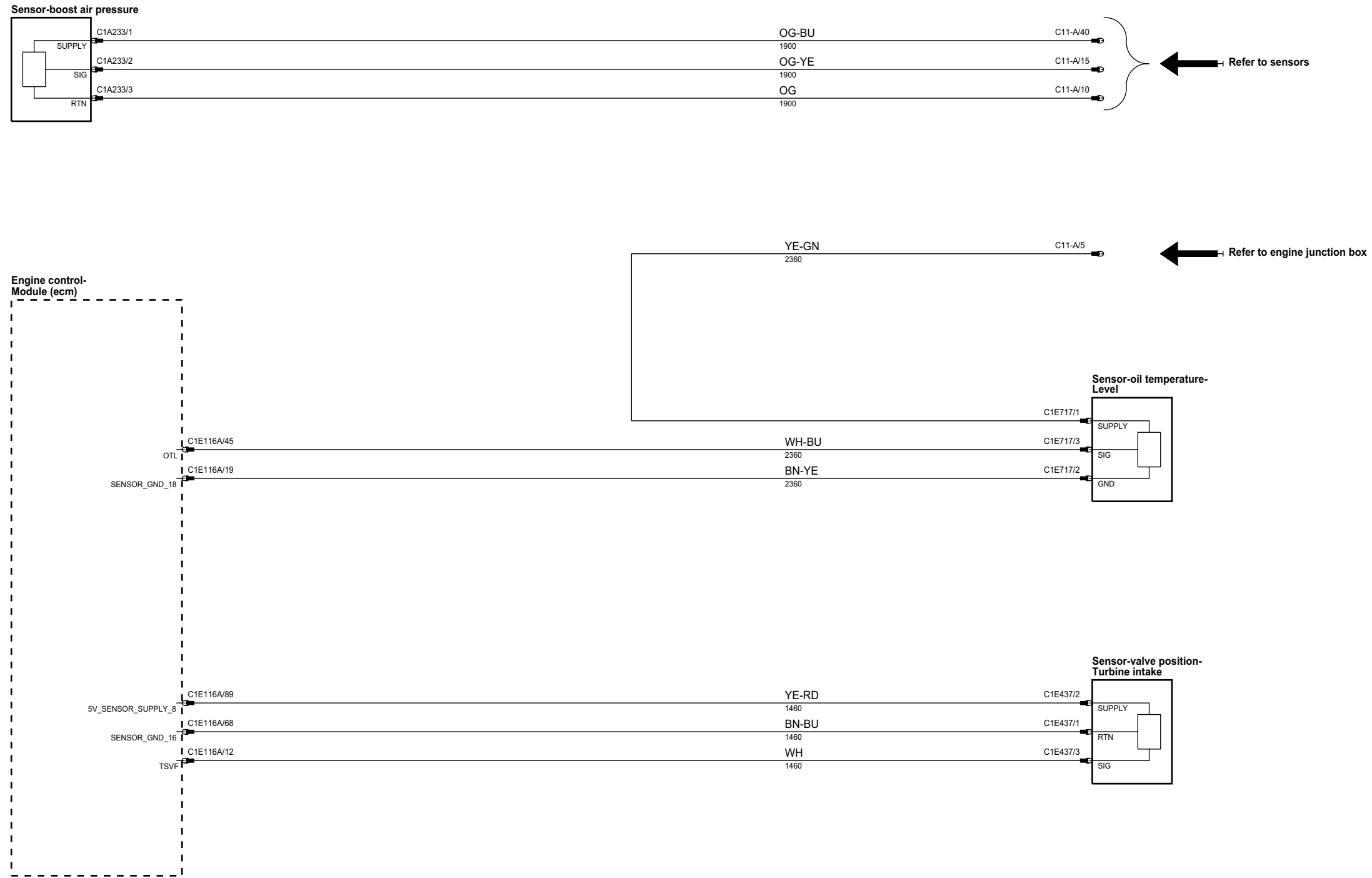
C11-A	=	C11-P
C11-B	=	C11-N
C11-C	=	C11-M

phtdv6-70034-b



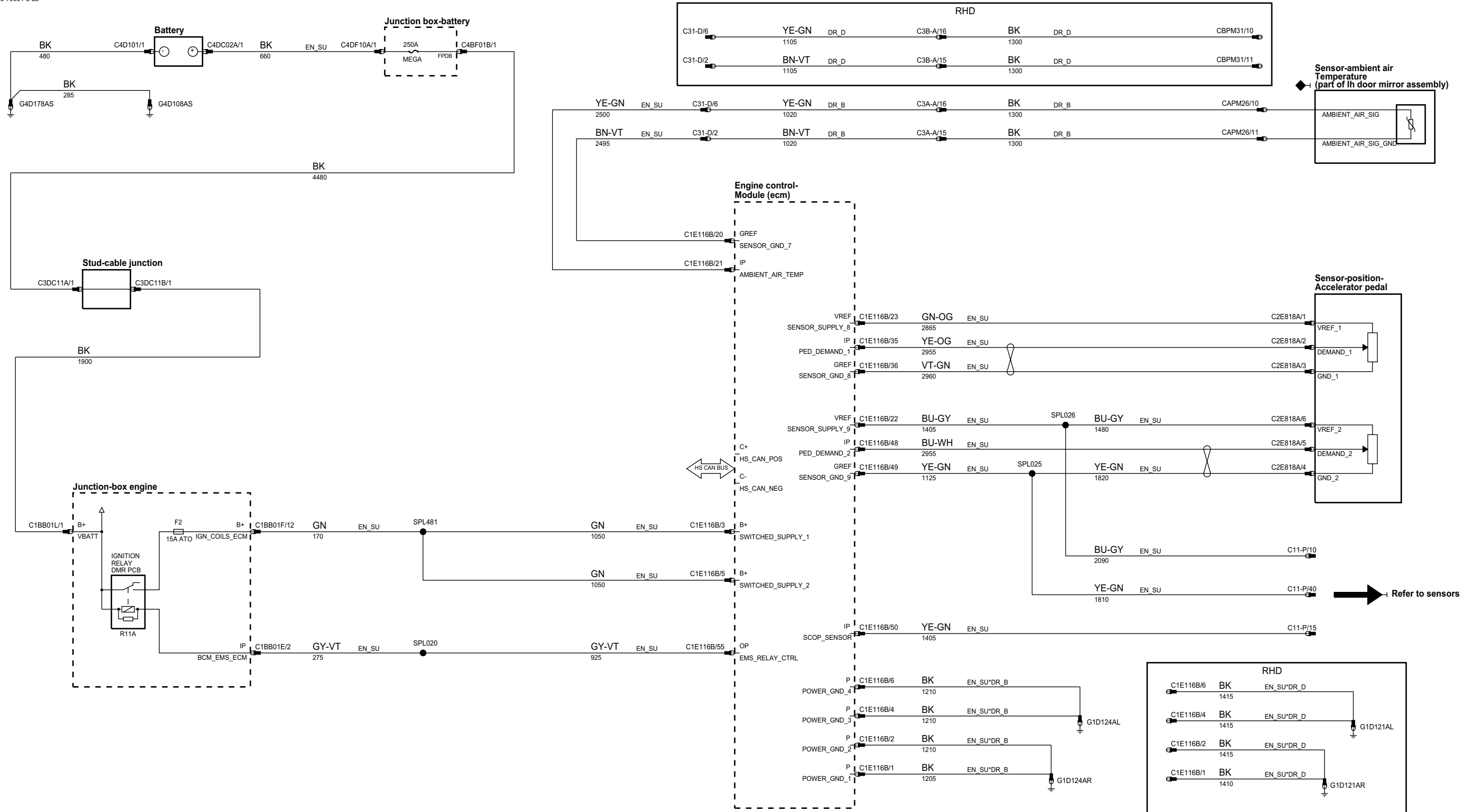
C11-A	=	C11-P
C11-B	=	C11-N
C11-C	=	C11-M

phd6-70034-c

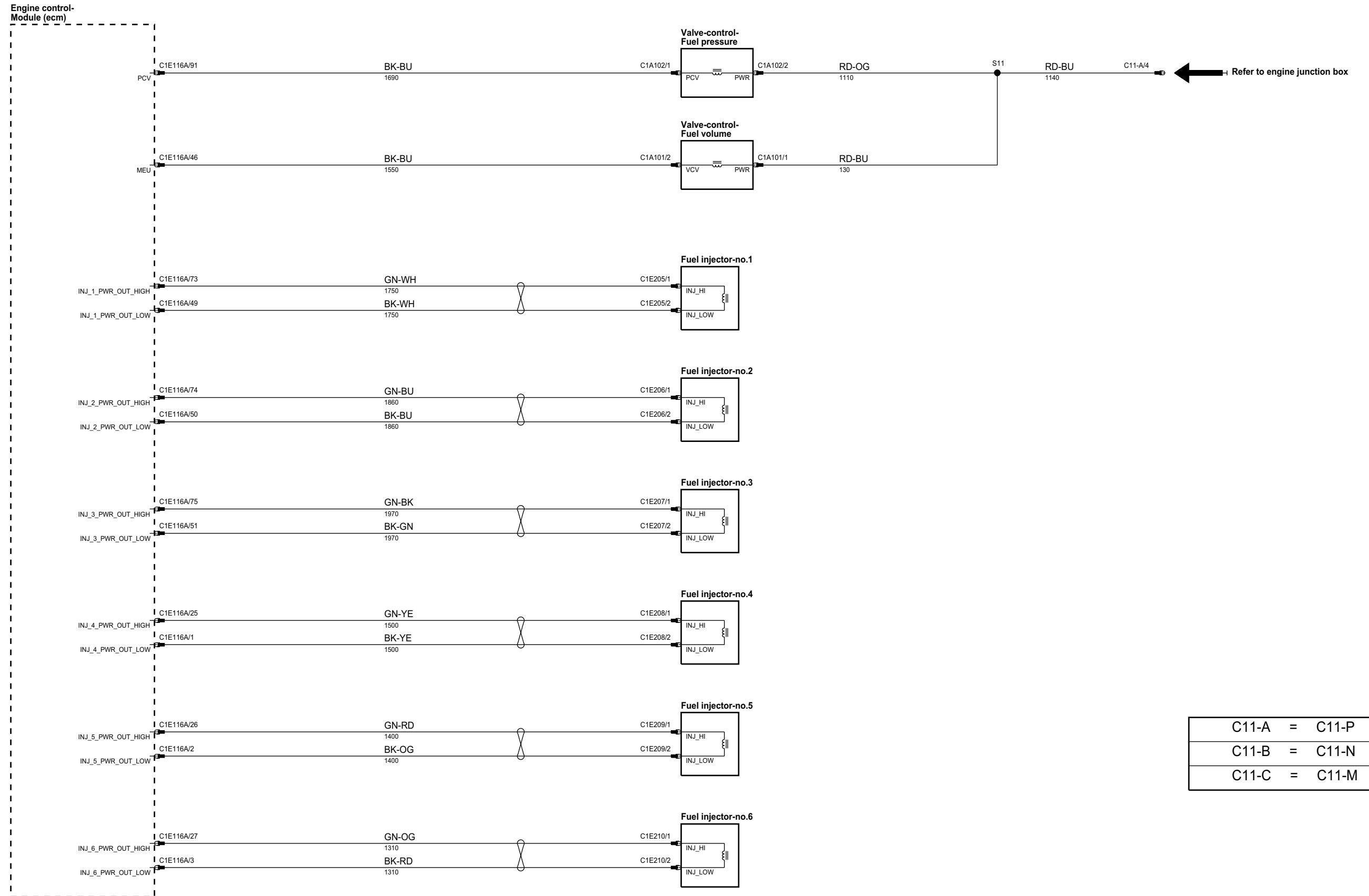


C11-A	=	C11-P
C11-B	=	C11-N
C11-C	=	C11-M

phcw93-70034-d-a3

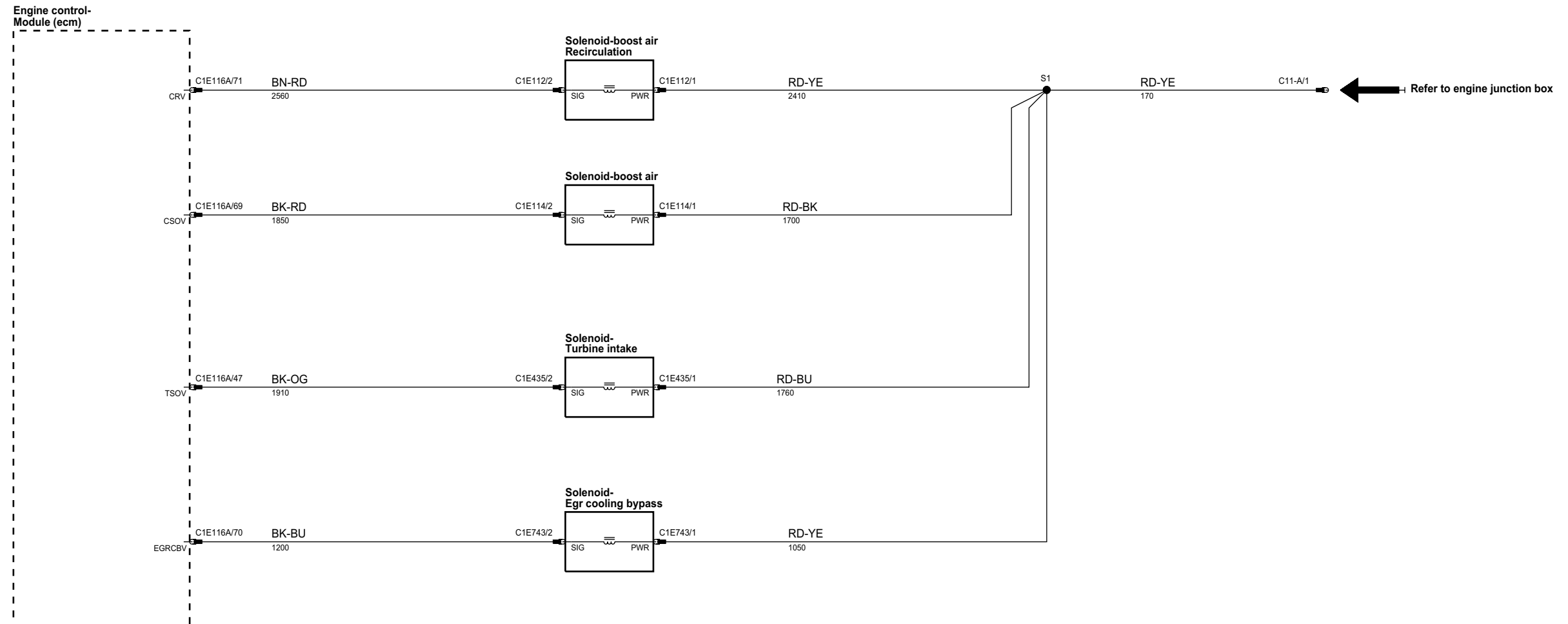


phd6-70038-a



C11-A	=	C11-P
C11-B	=	C11-N
C11-C	=	C11-M

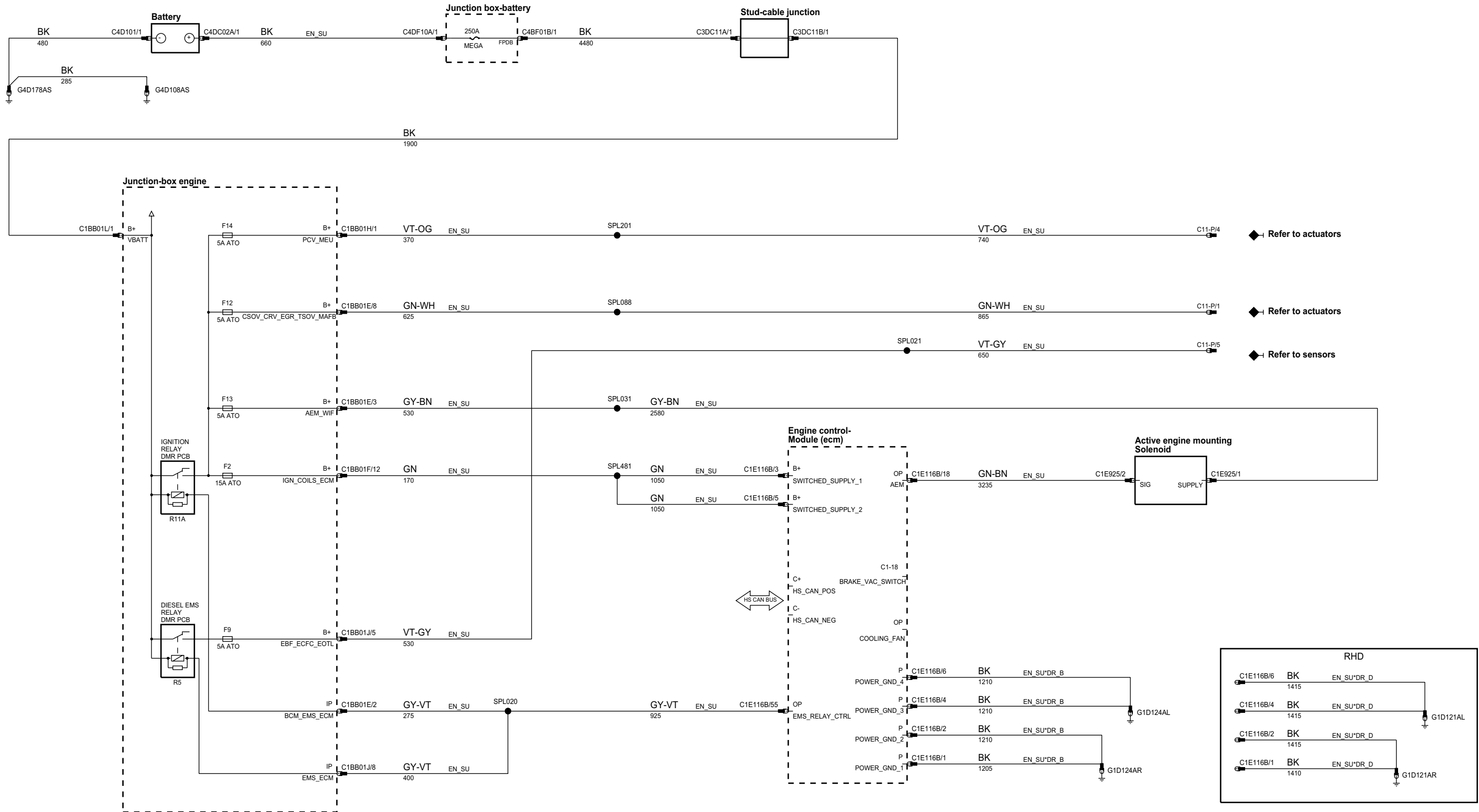
phtdv6-70038-b



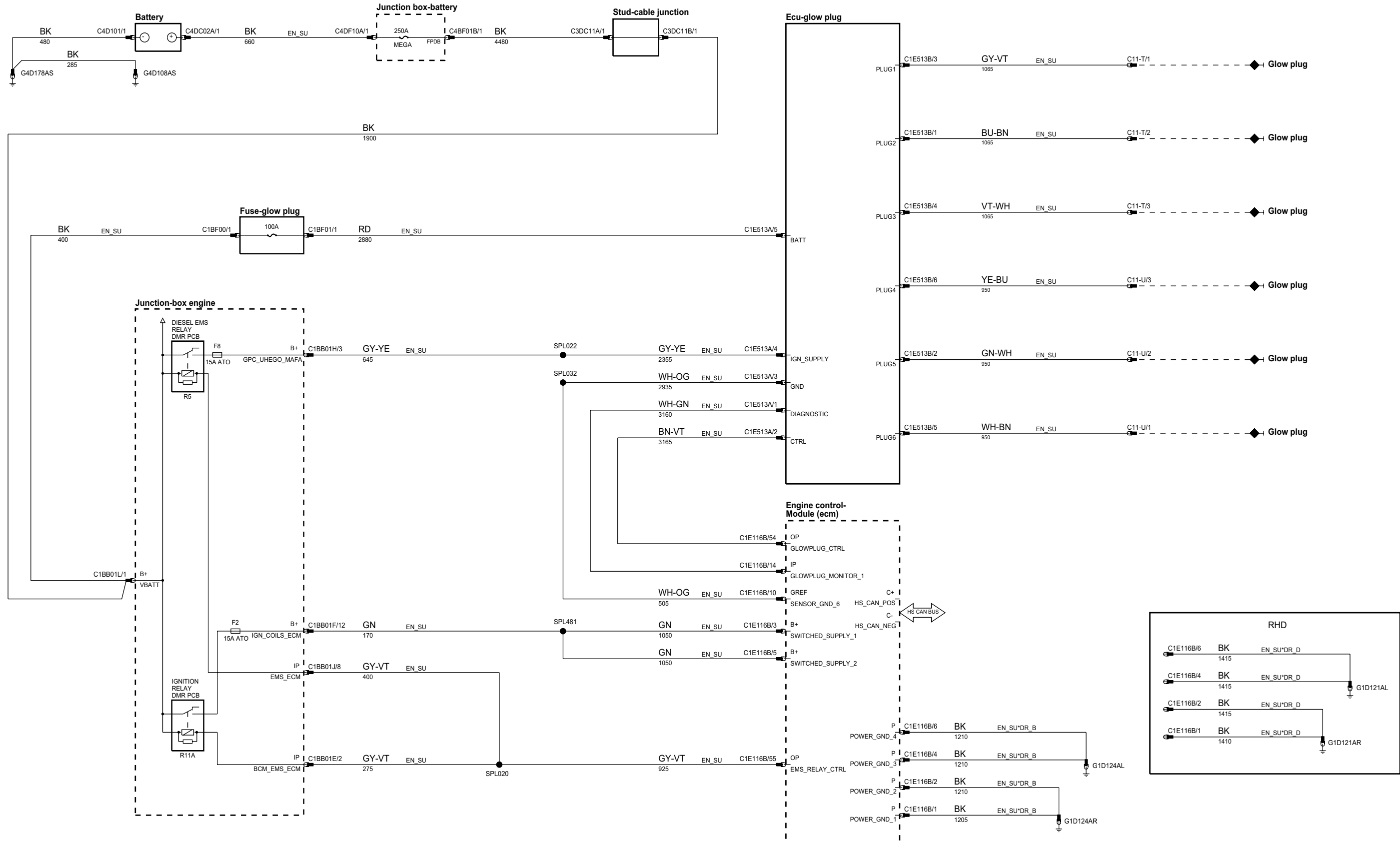
C11-A	=	C11-P
C11-B	=	C11-N
C11-C	=	C11-M



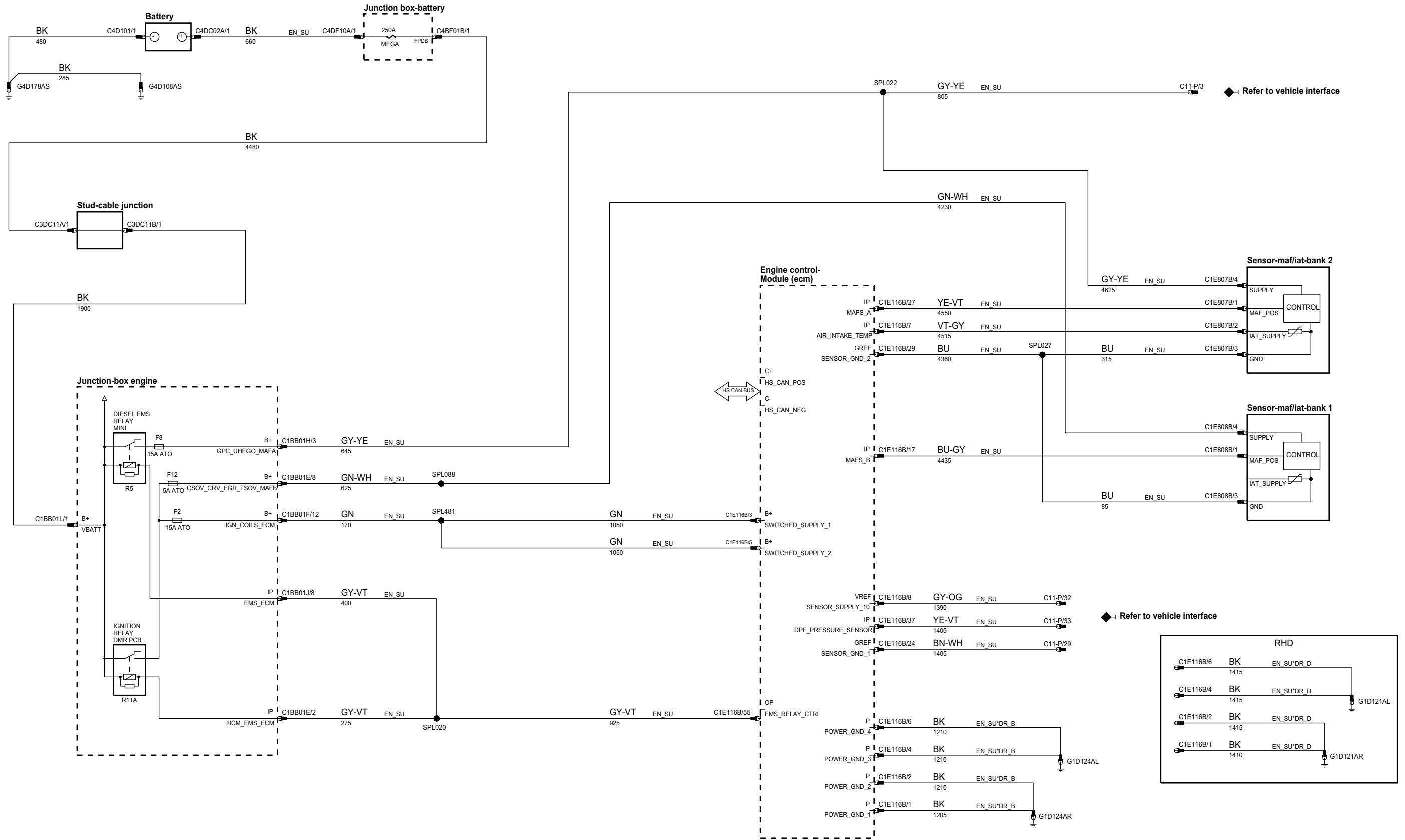
phcw93-70038-d-a3



phcw93-70037-d-a3

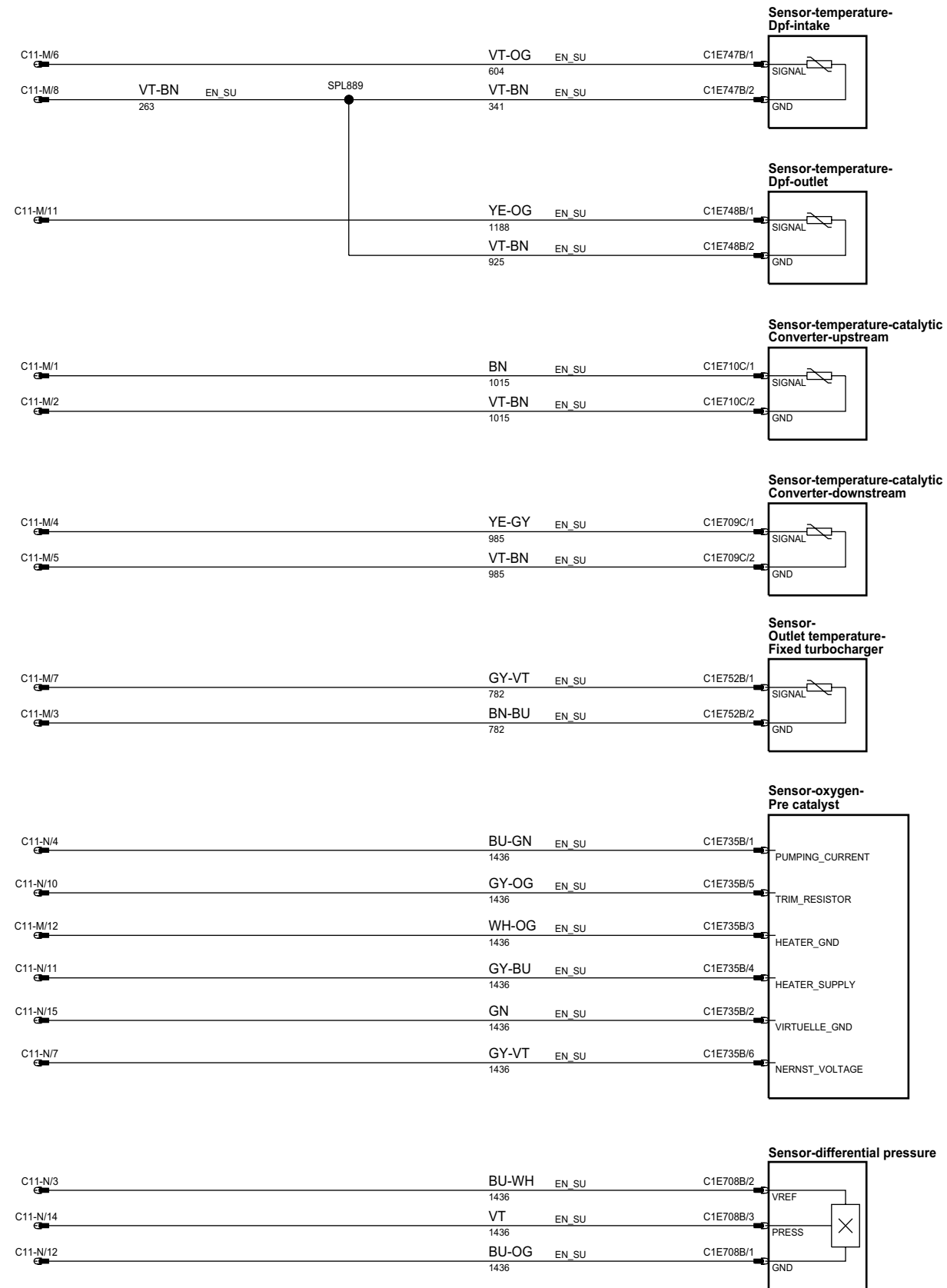


phcw93-70035-d-a3



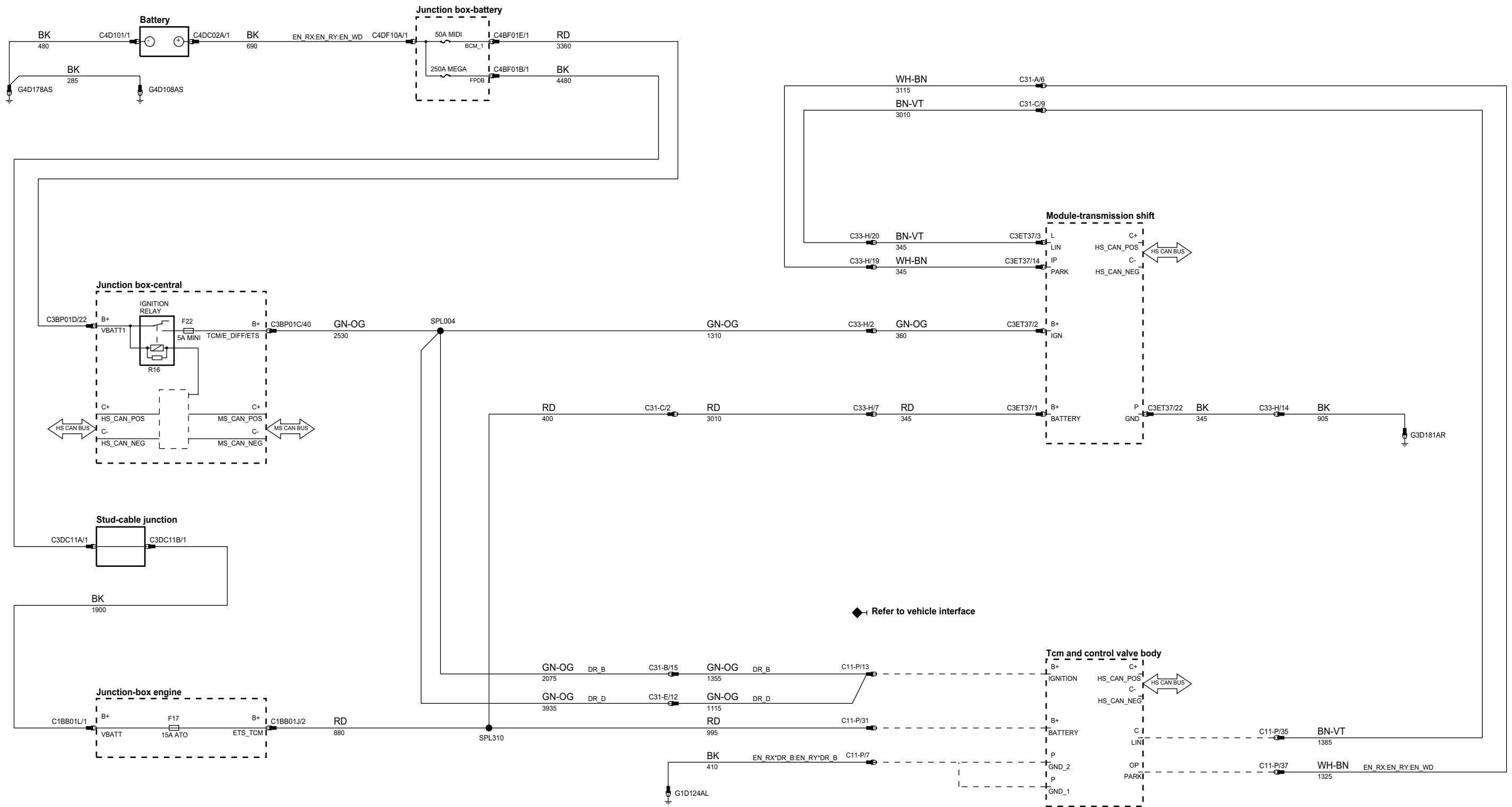
phcw93-70035-d2-a3

← Refer to vehicle interface

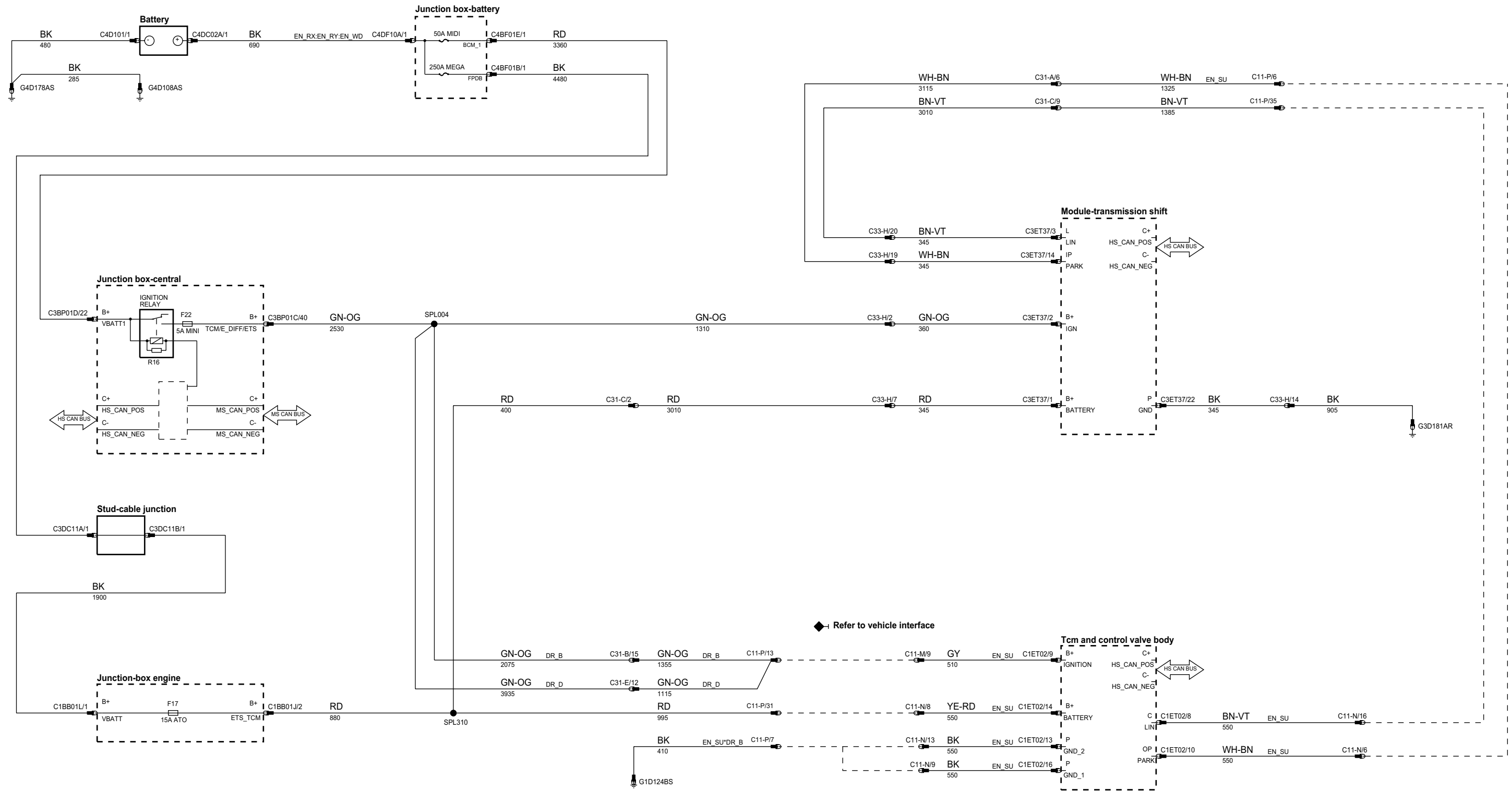


C11-P = C11-A
C11-N = C11-B
C11-M = C11-C

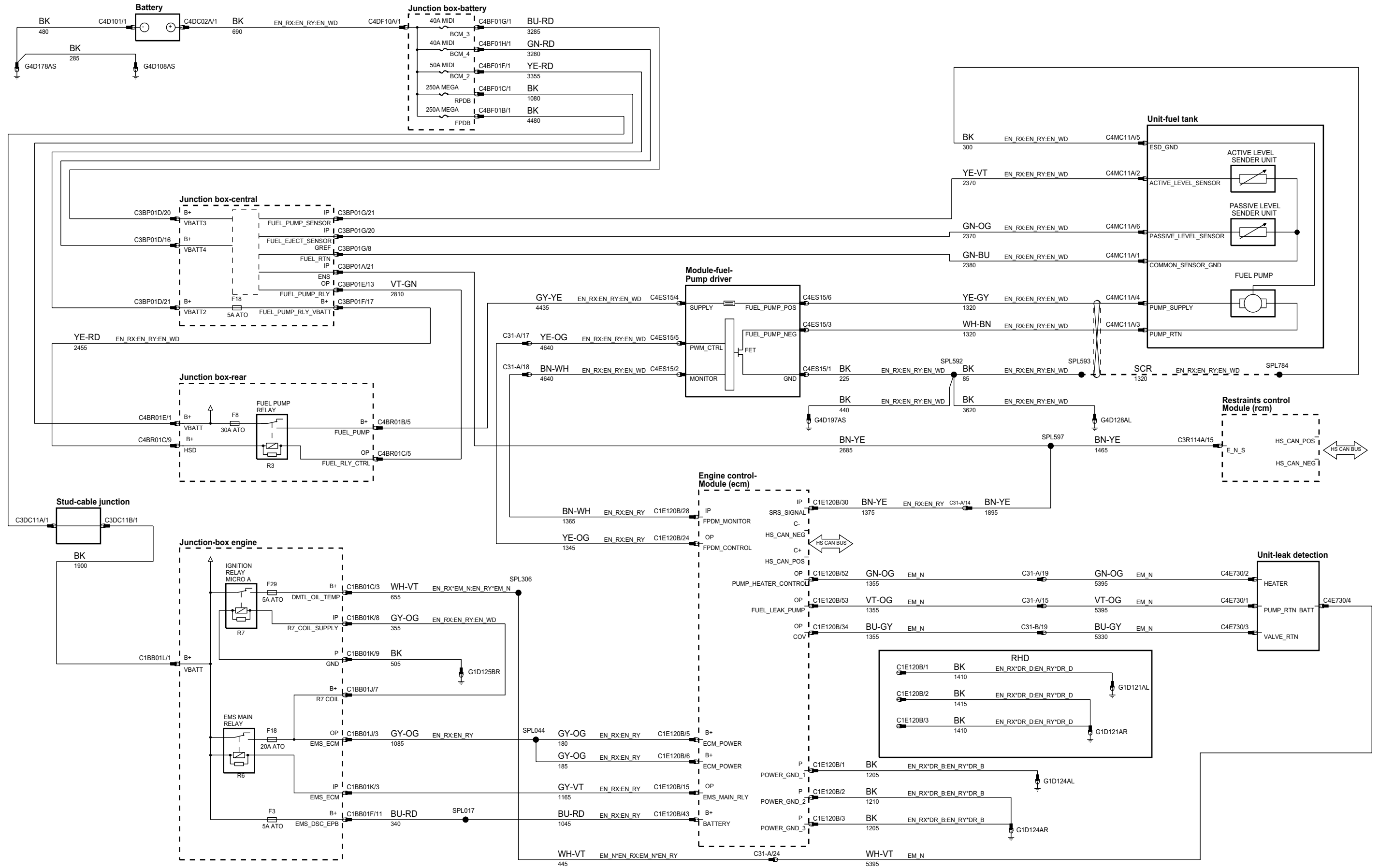
phcw93-70041-a-a3



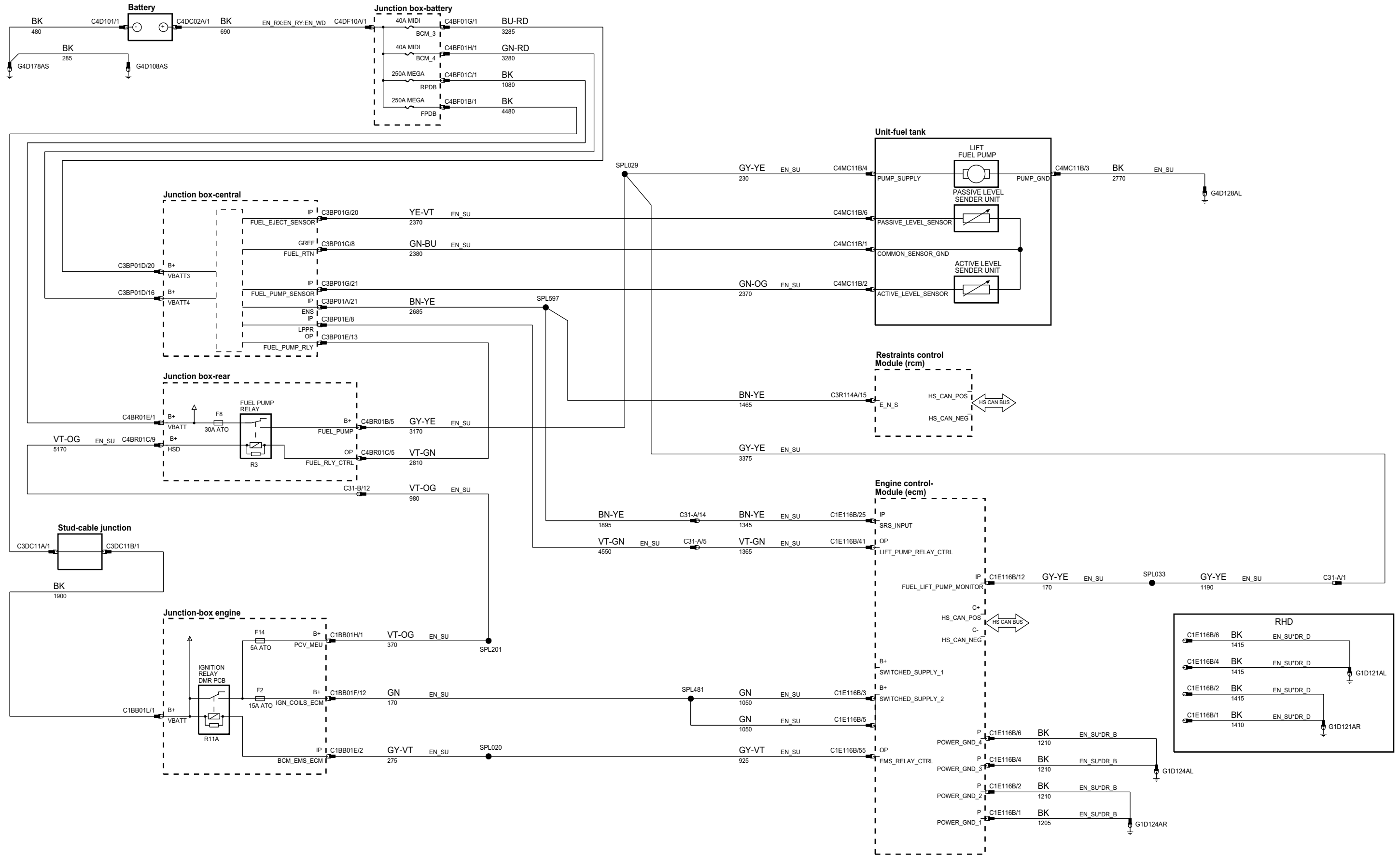
phcw93-70041-d-a3



phcw93-70036-a-a3

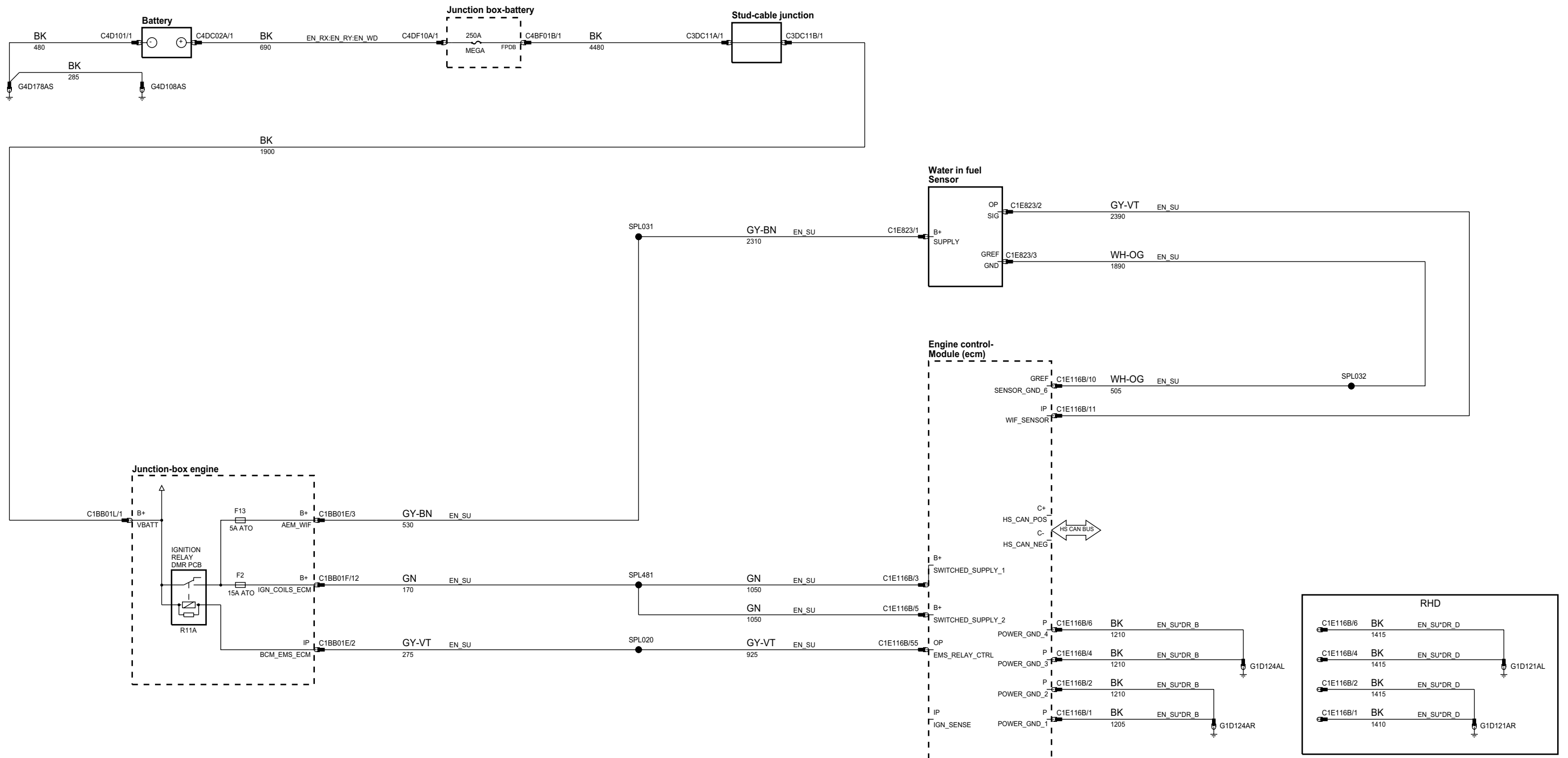


phcw93-70036-d-a3

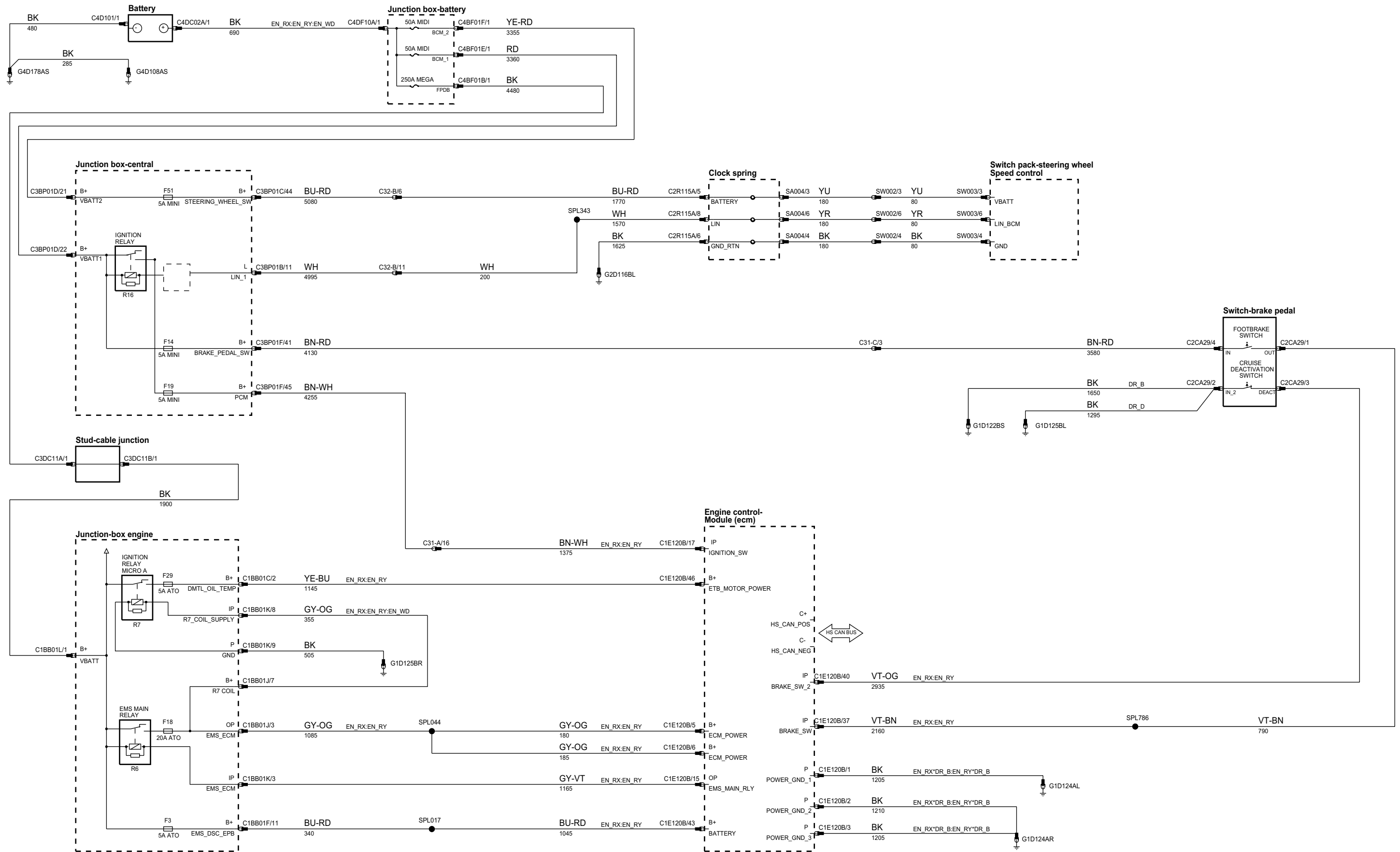




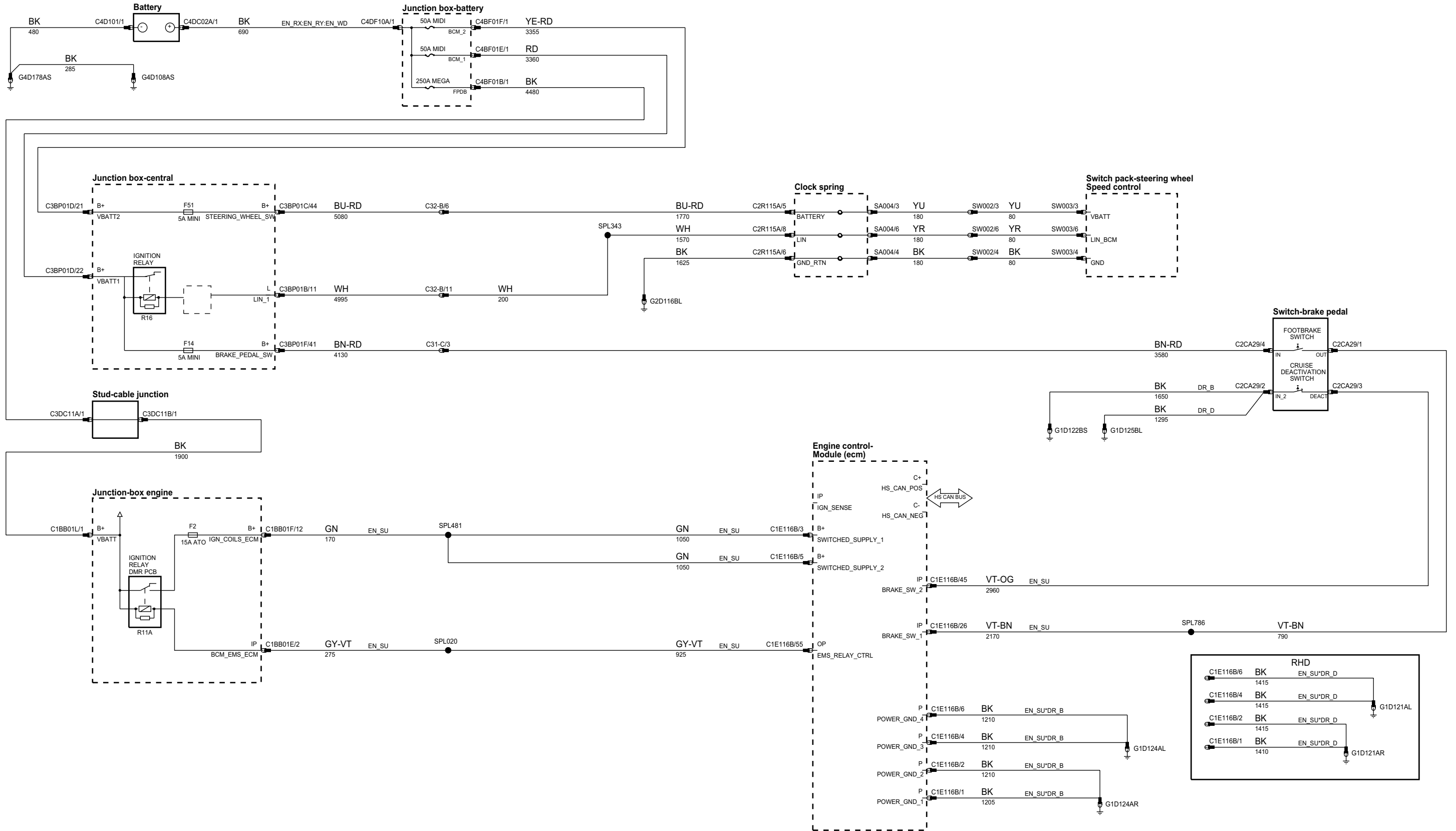
phcw93-70036-d2-a3



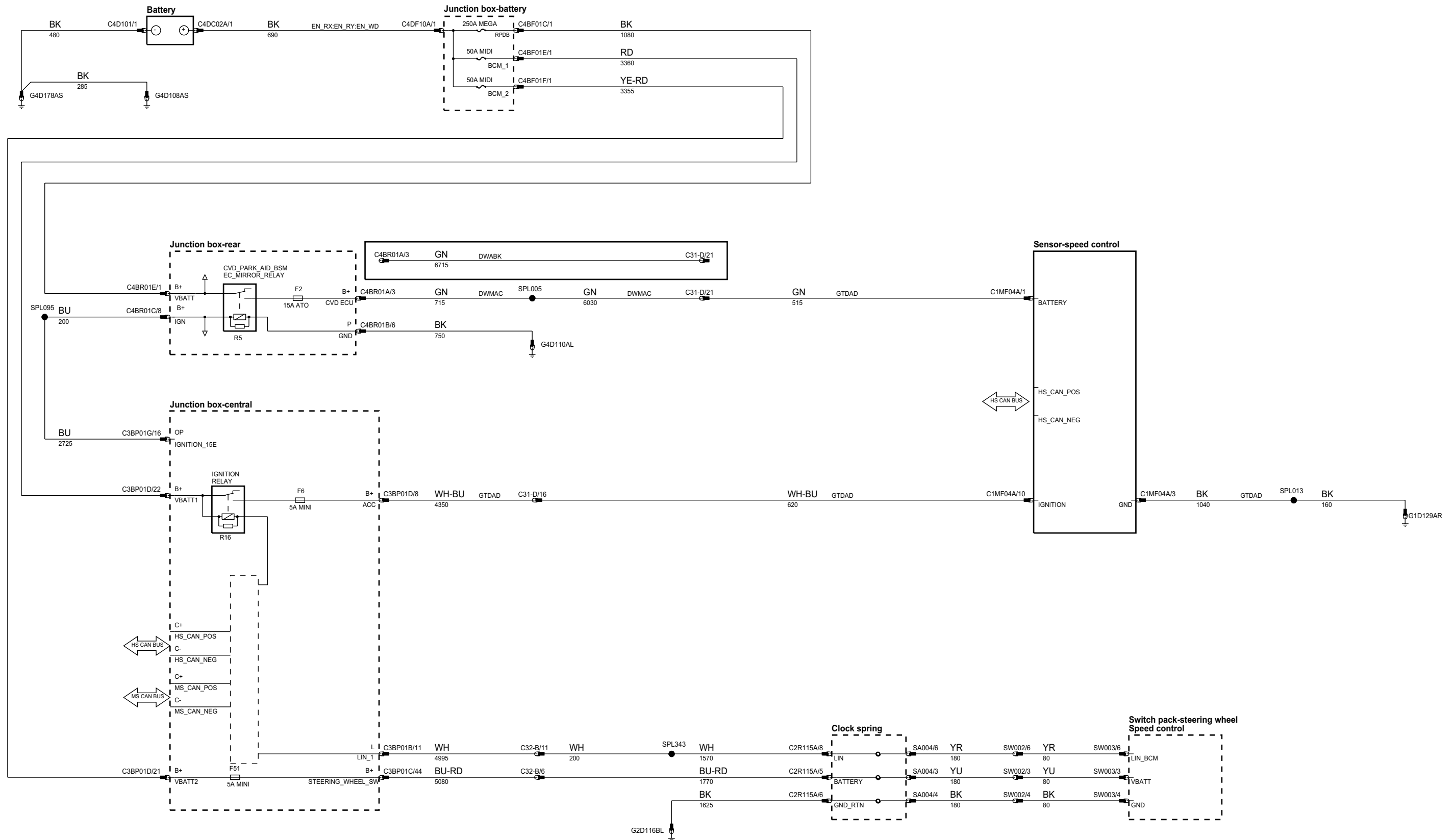
phcw93-70190-a-a3



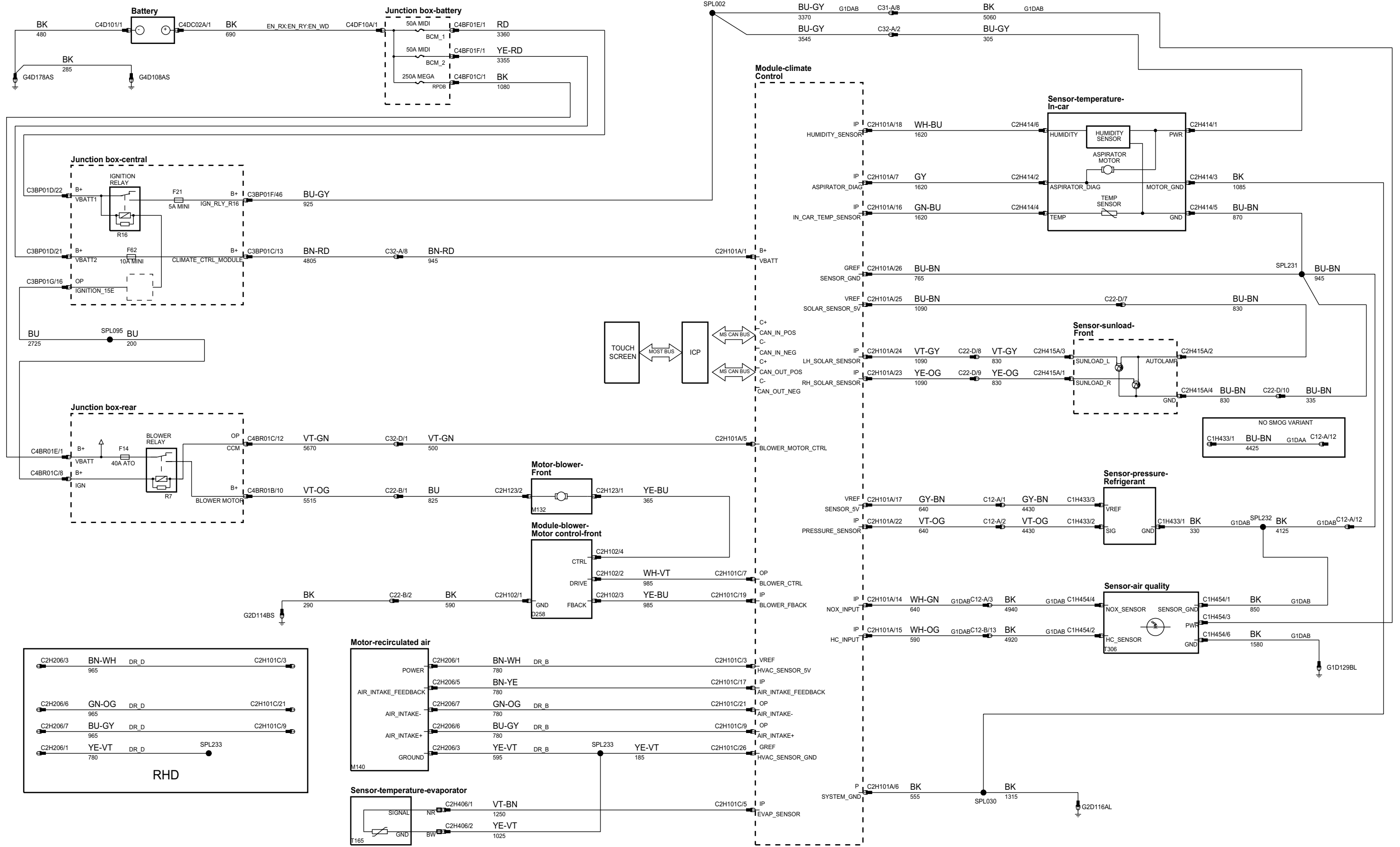
phcw93-70190-d-a3



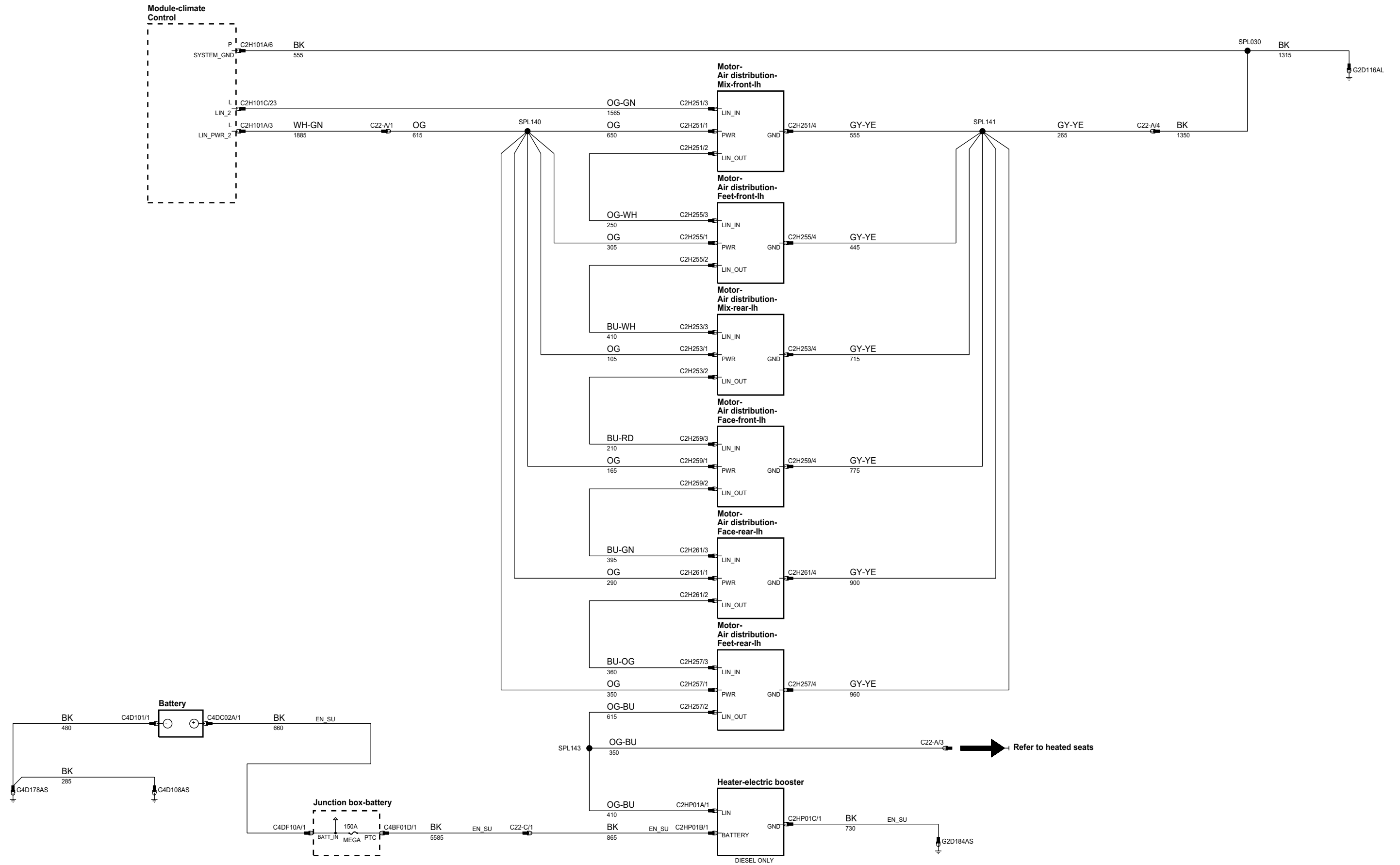
phcw93-70486-a-a3



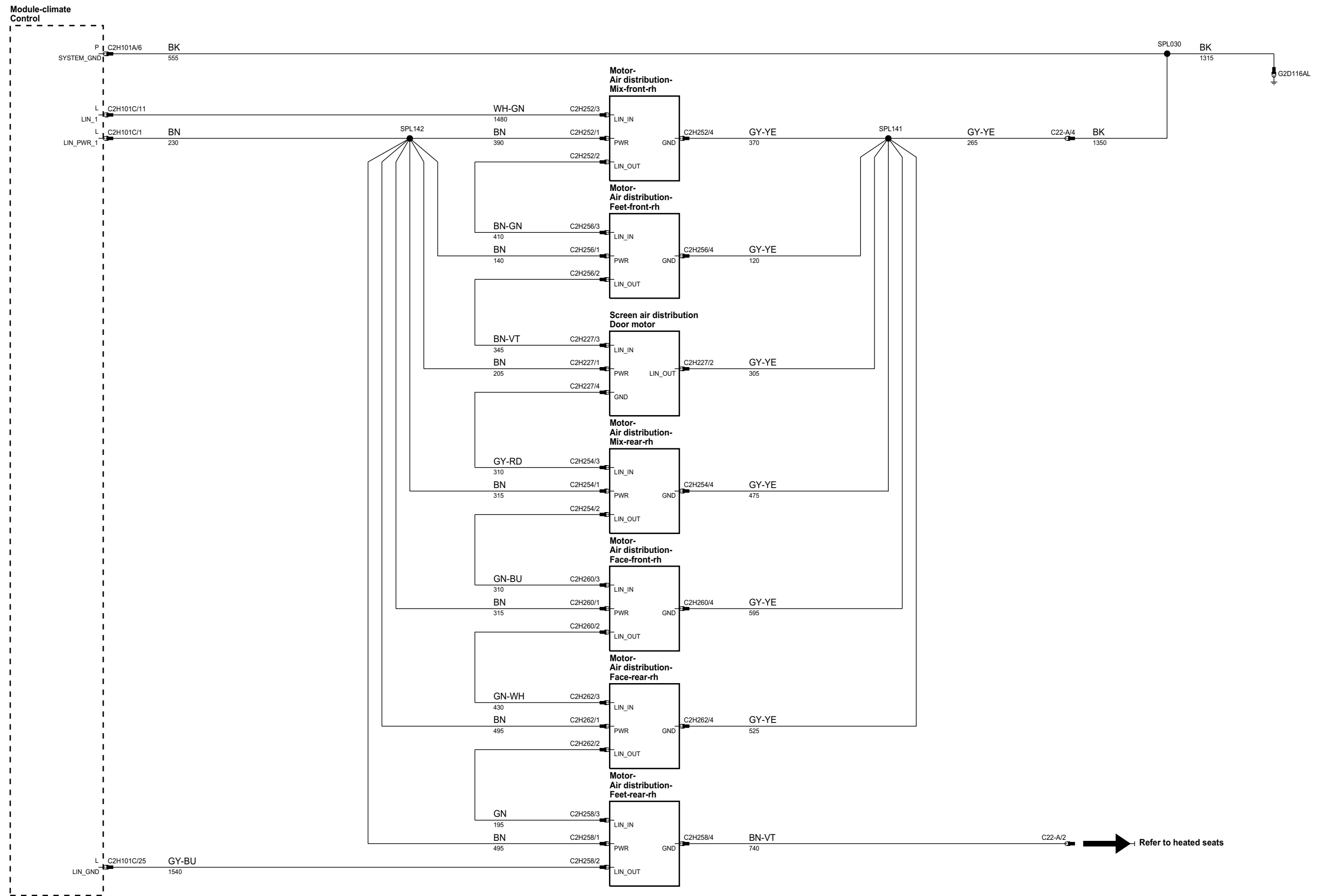
phcw93-70295-a-a3



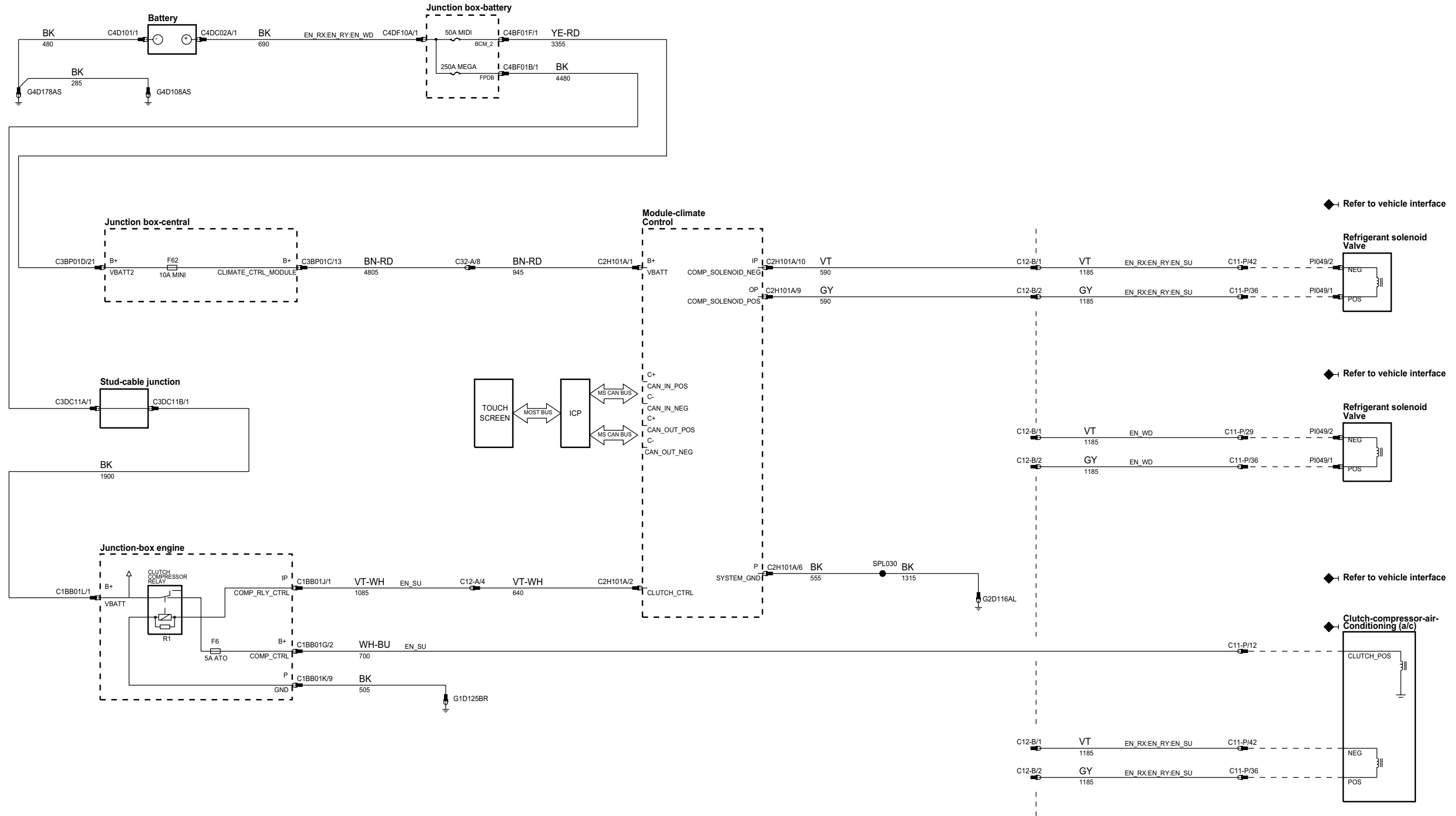
phcw93-70295-b-a3



phcw93-70295-c-a3



phcw93-70295-d-a3

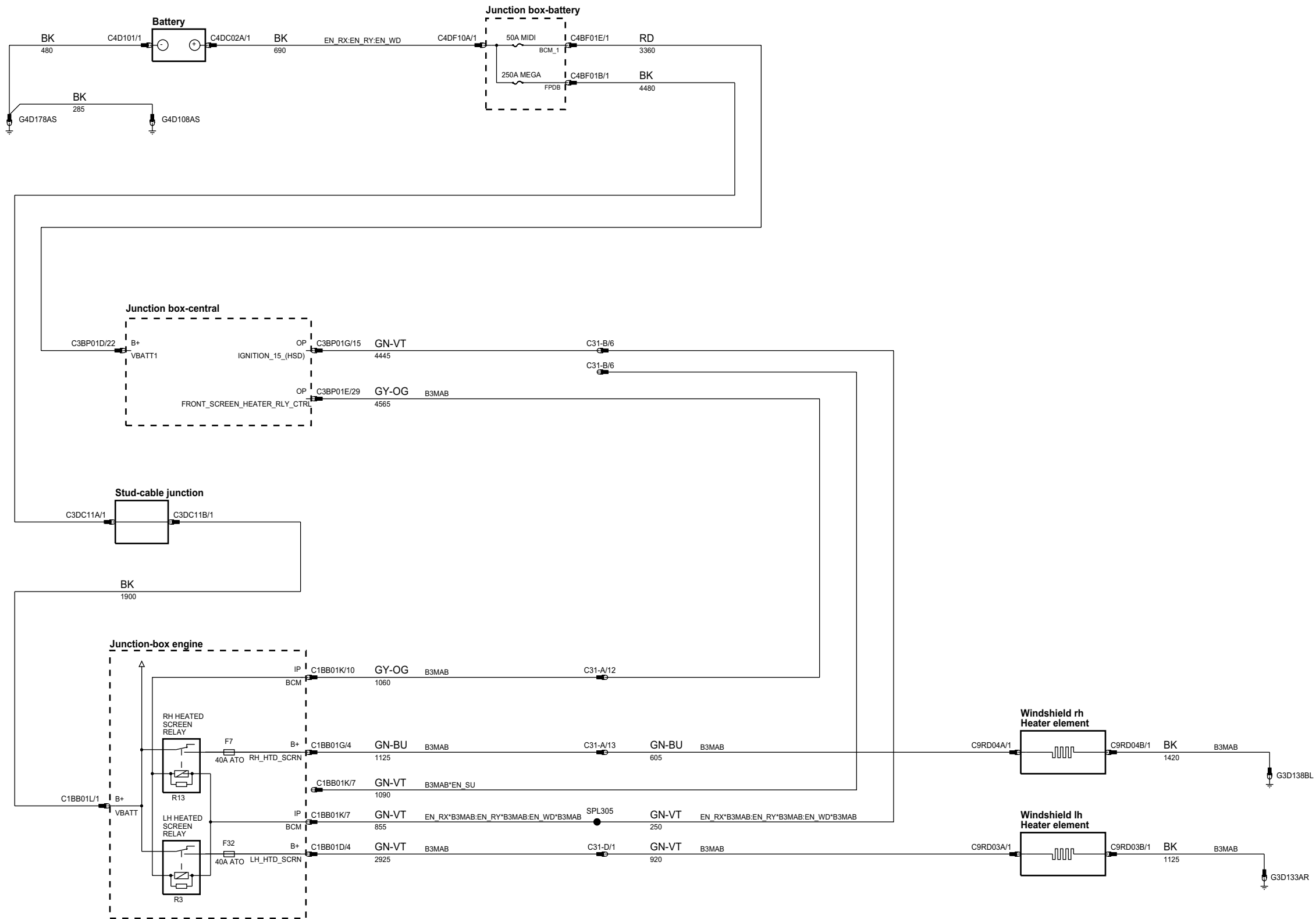






# 412-02 - AUXILIARY CLIMATE CONTROL

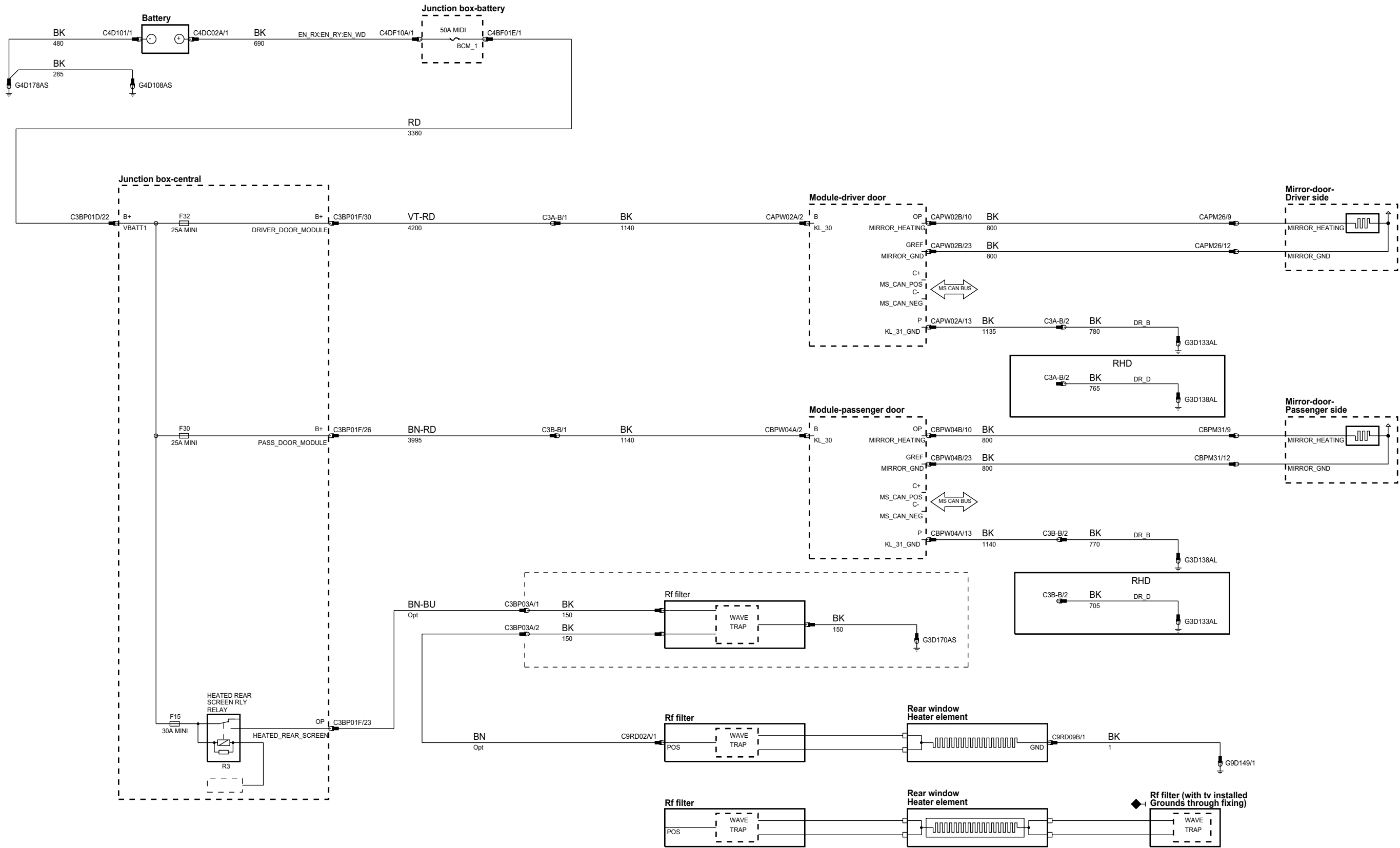
phcw93-70131-a-a3

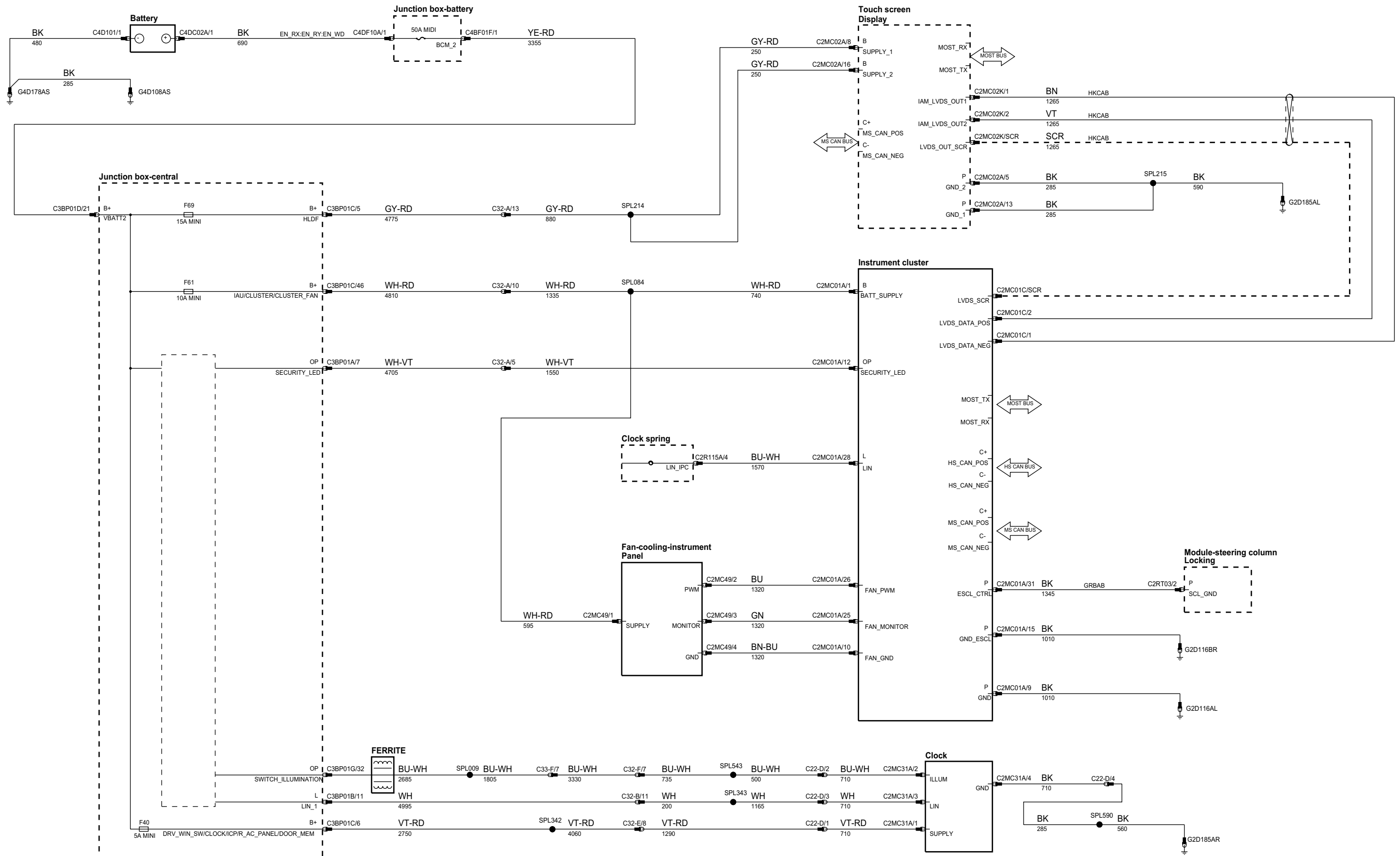


x

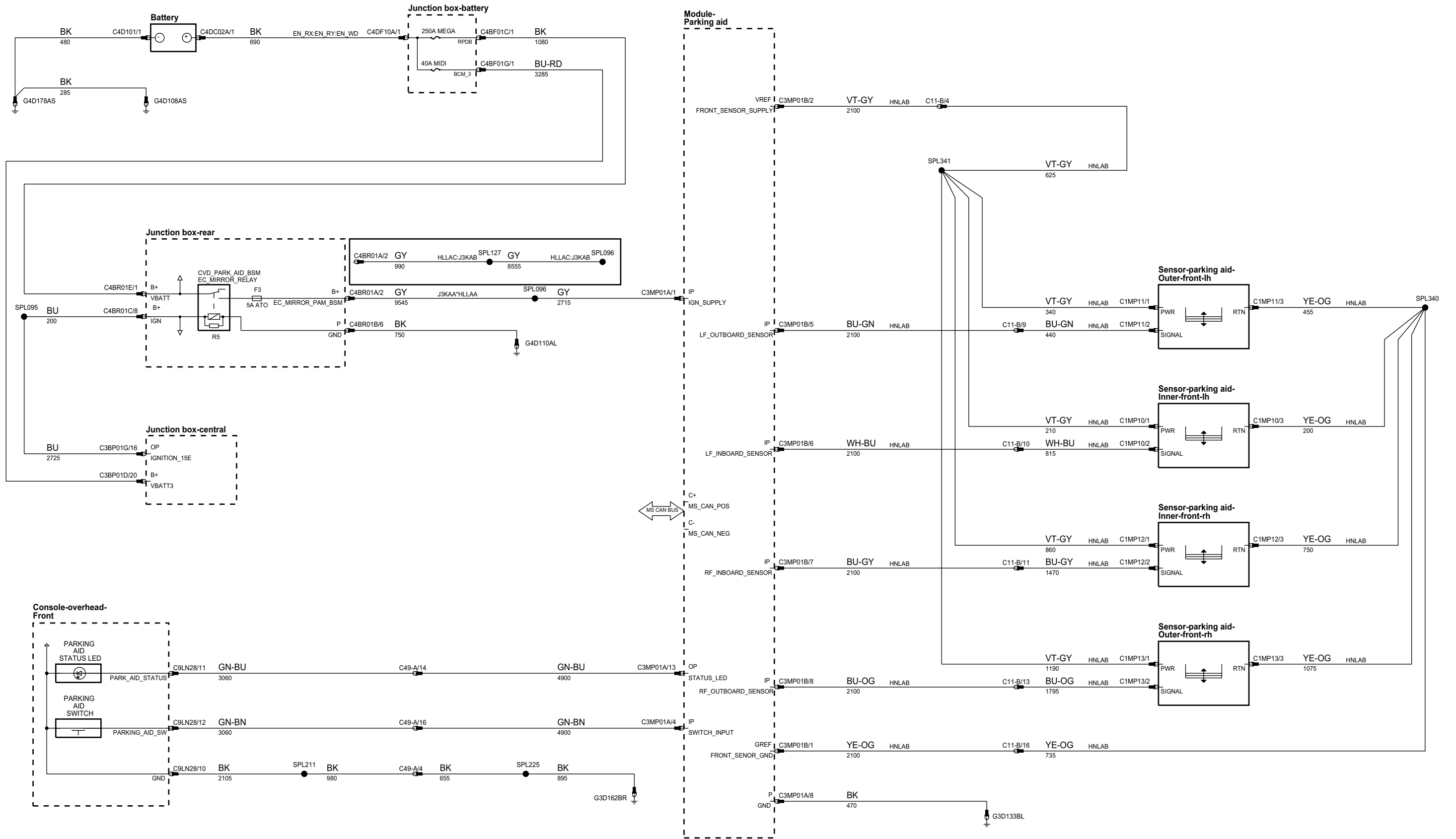
# 412-02 - AUXILIARY CLIMATE CONTROL

phcw93-70132-a-a3

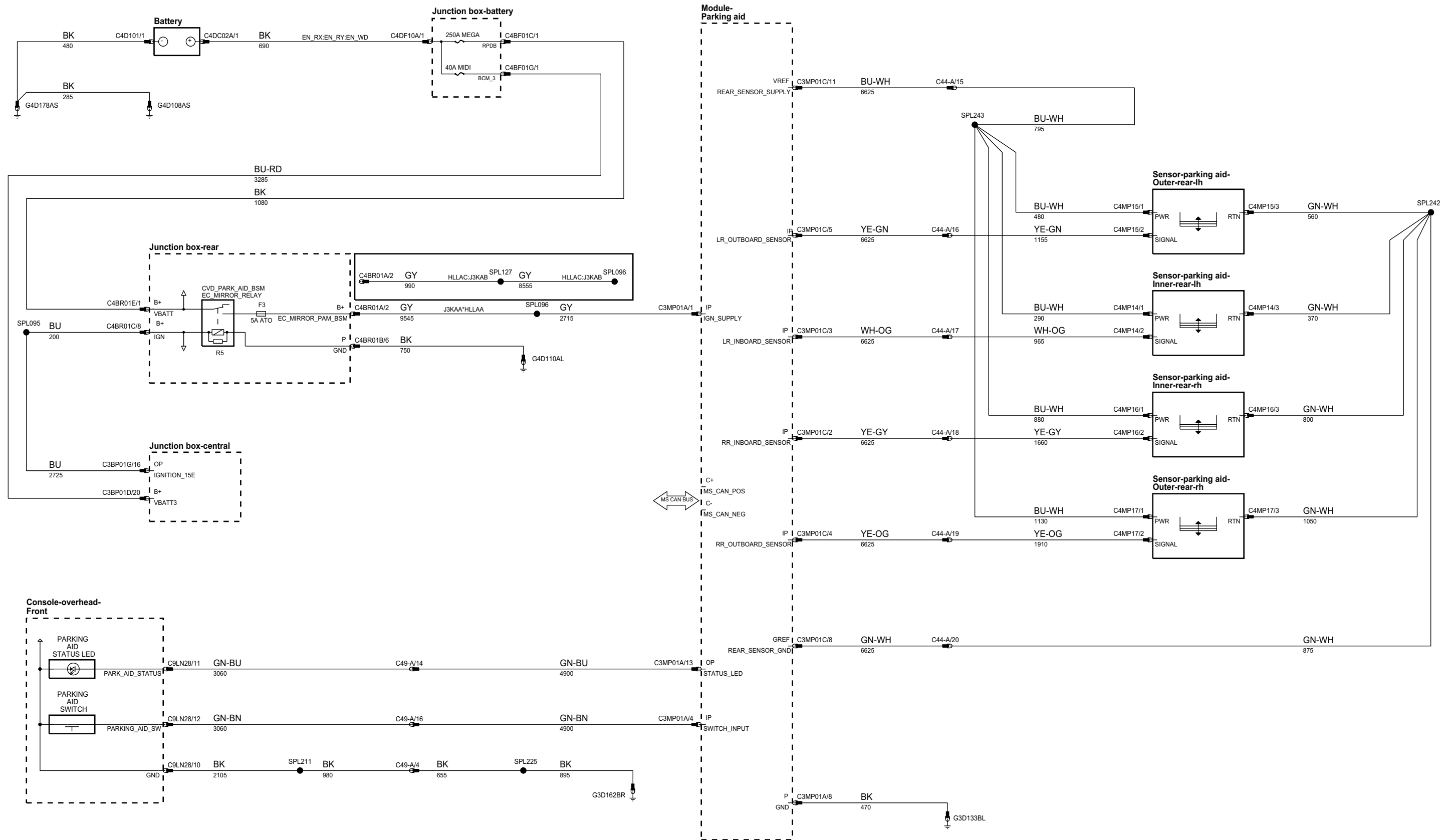




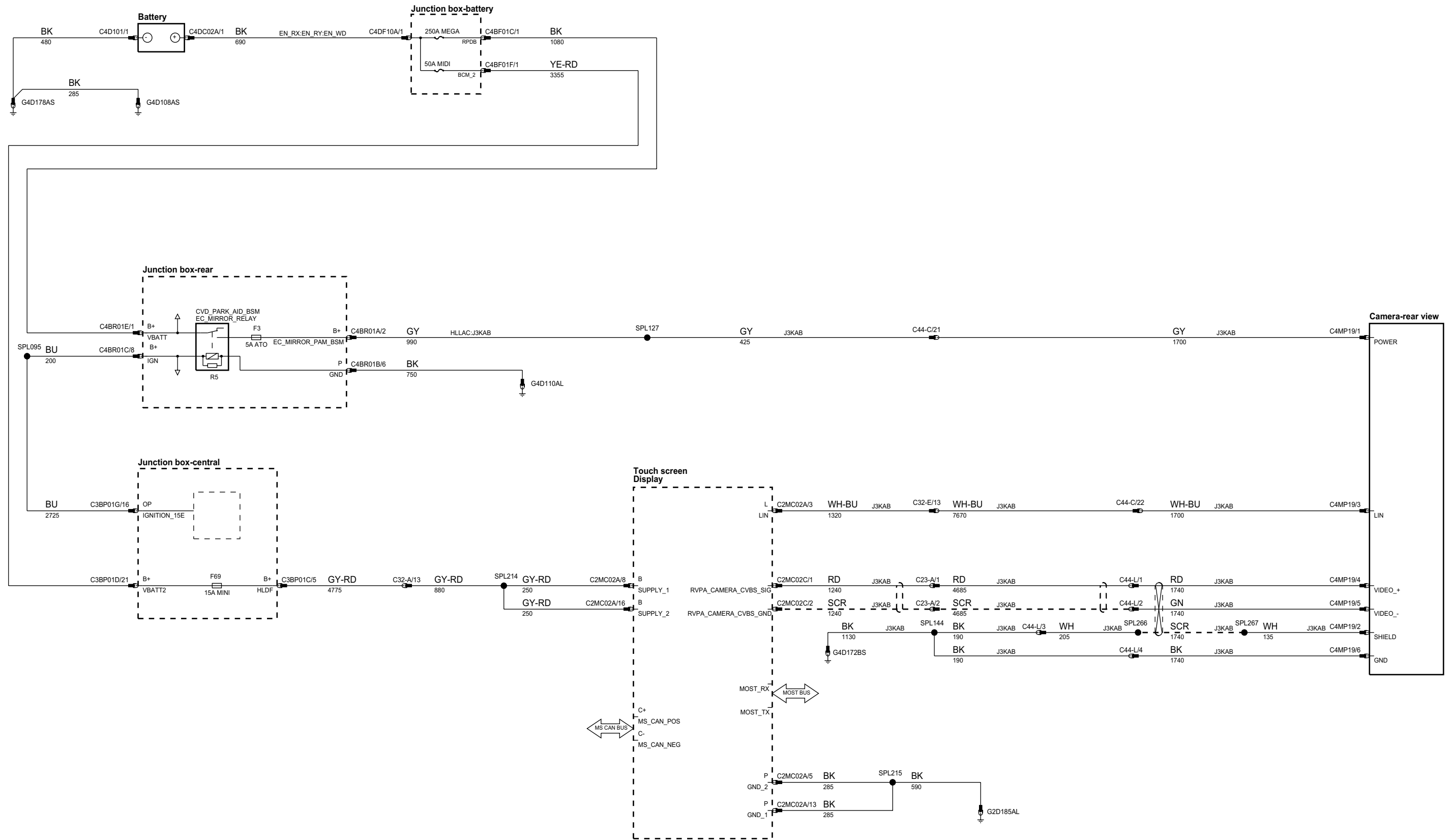
phcw93-70481-b-a3



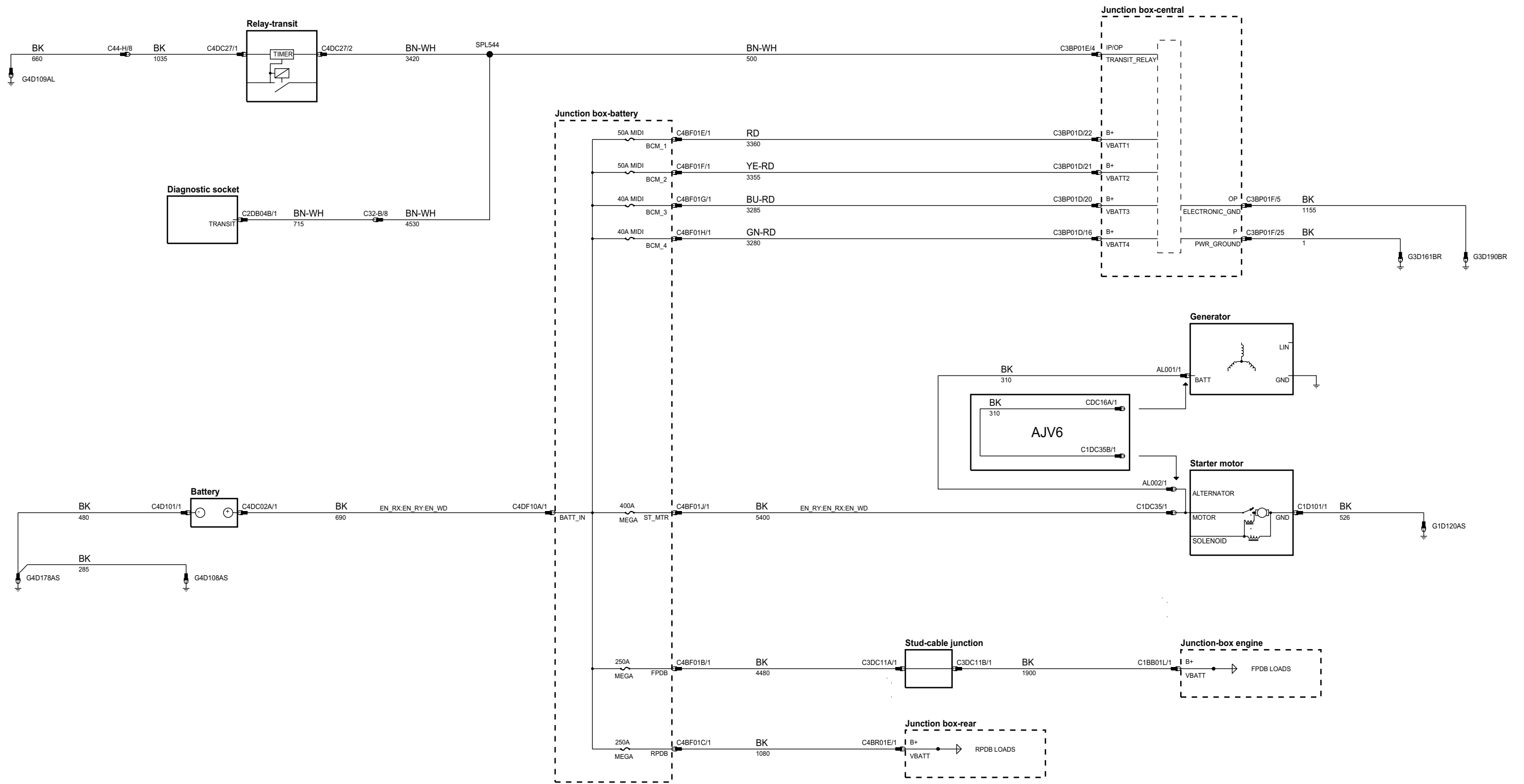
phcw93-70481-a-a3



phcw93-70481-c-a3

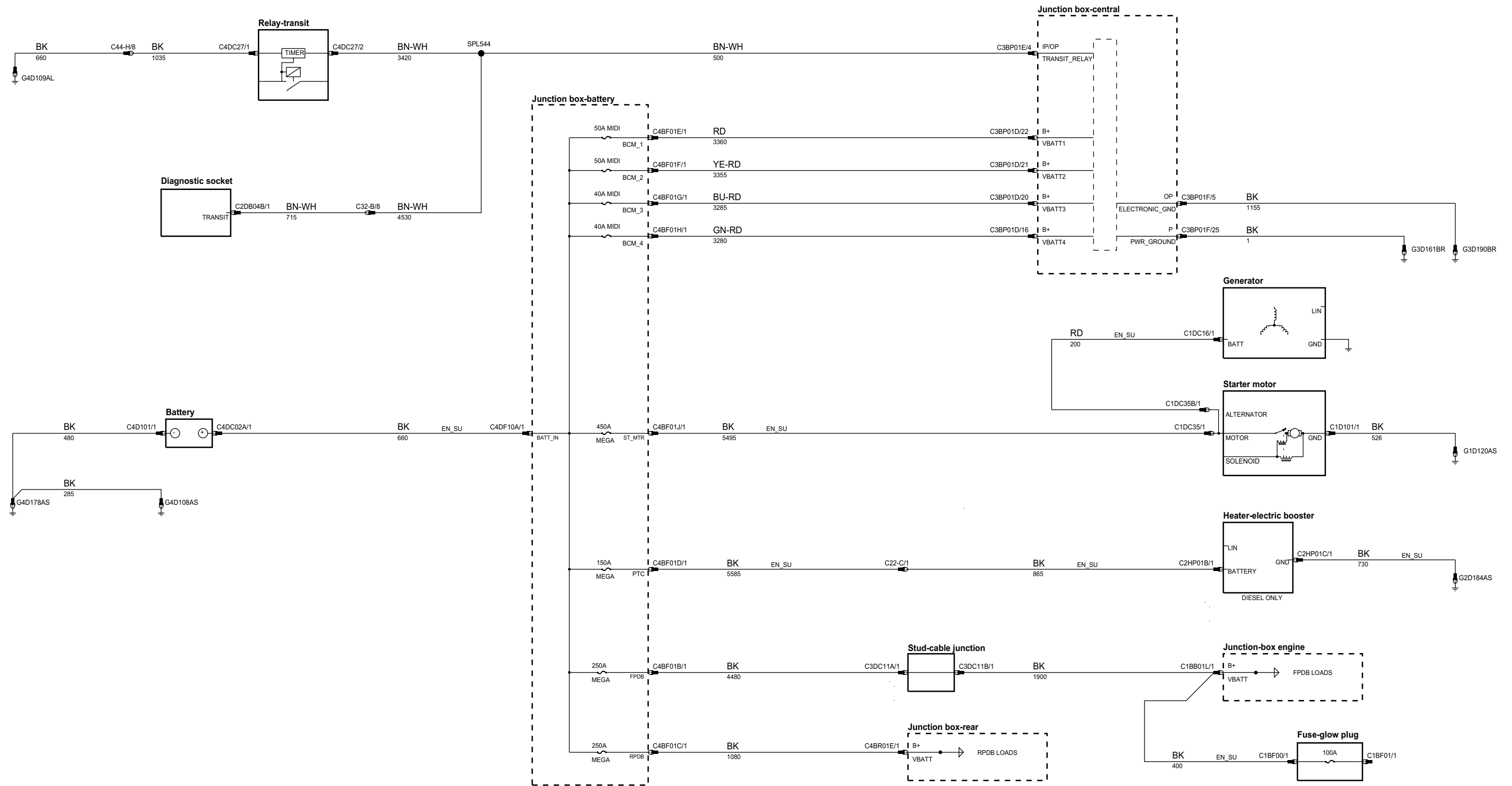


phcw93-70010-e-a3

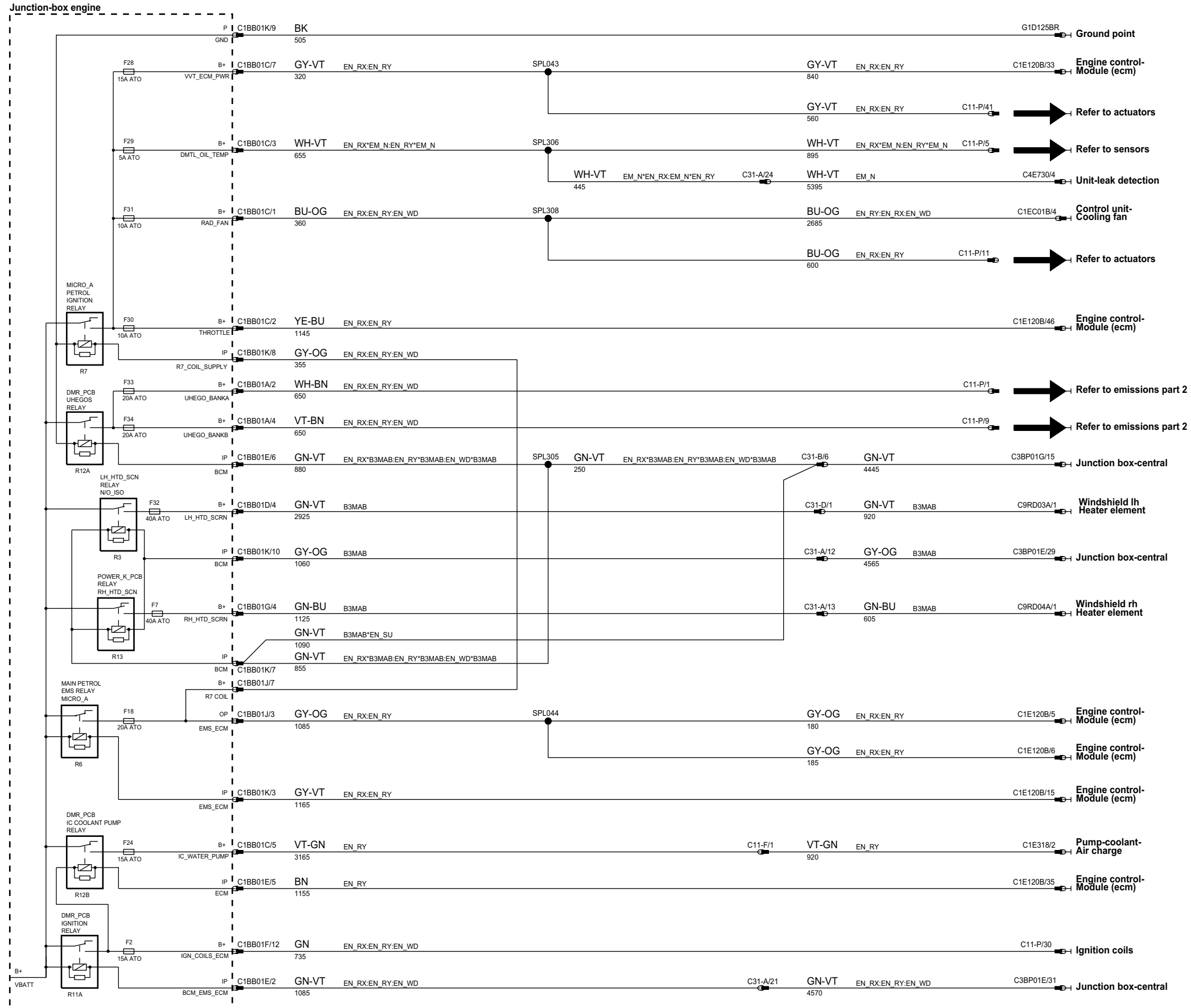




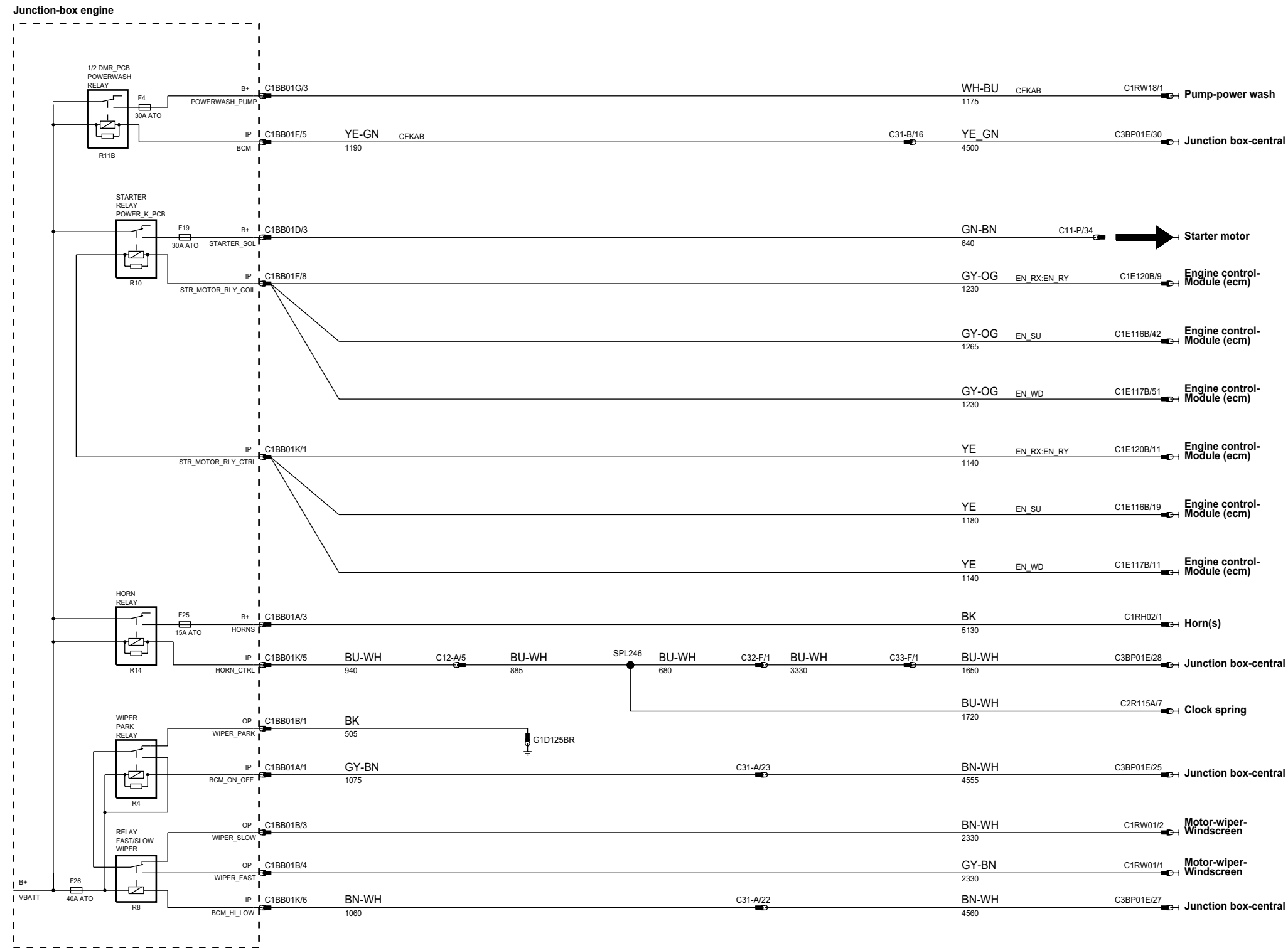
phcw93-70010-b-a3



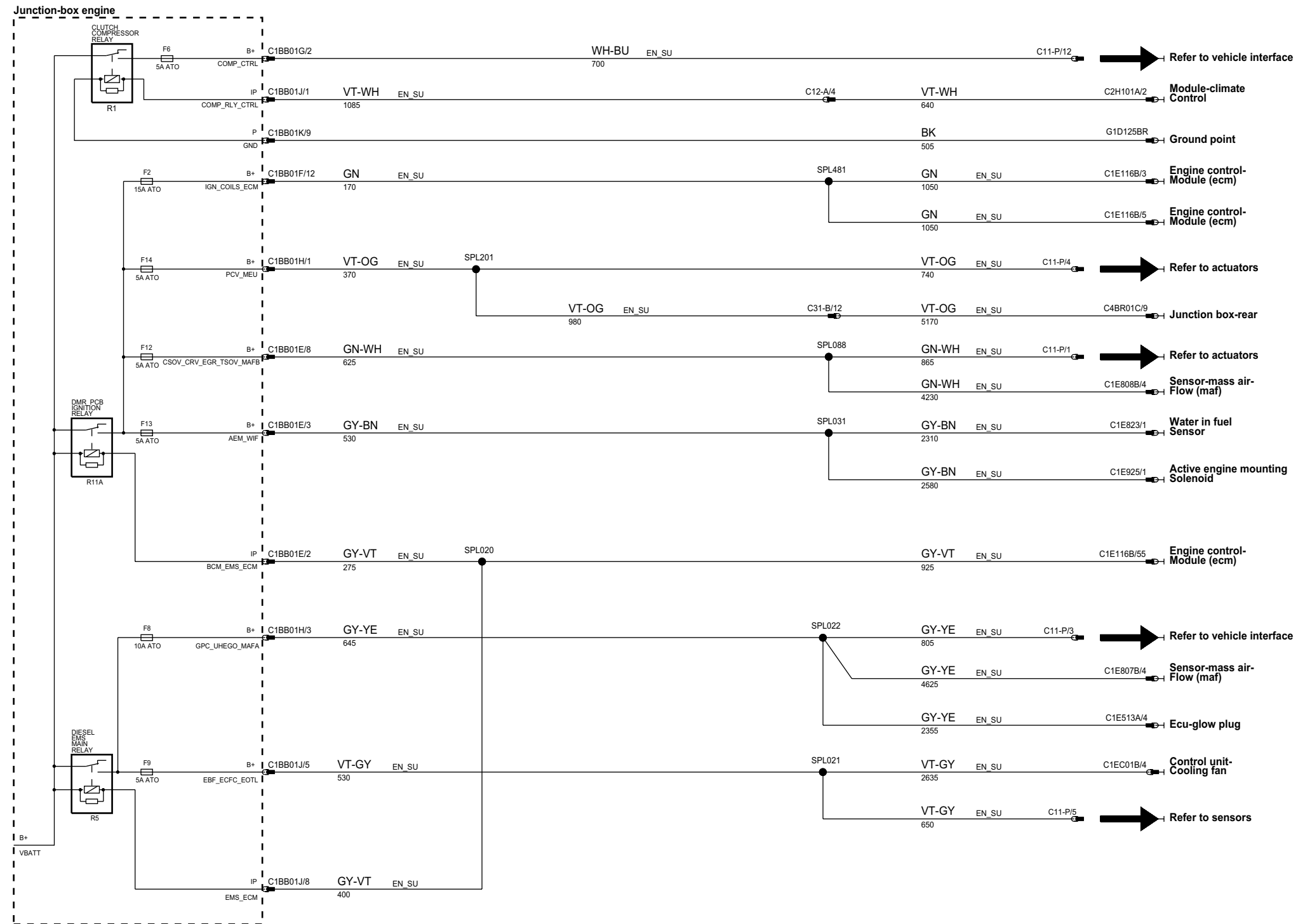
phw93-70010-c-a3



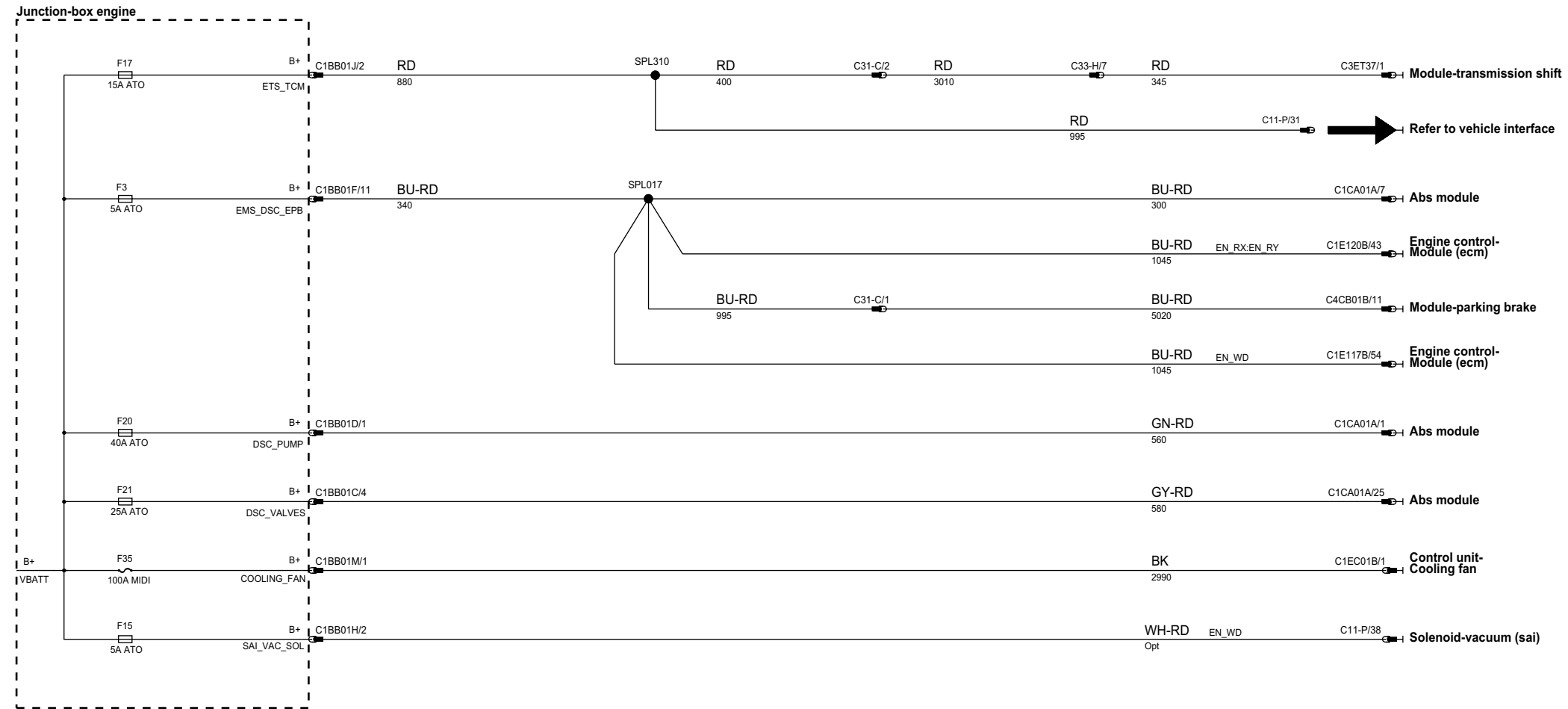
phcw93-70010-e-a3



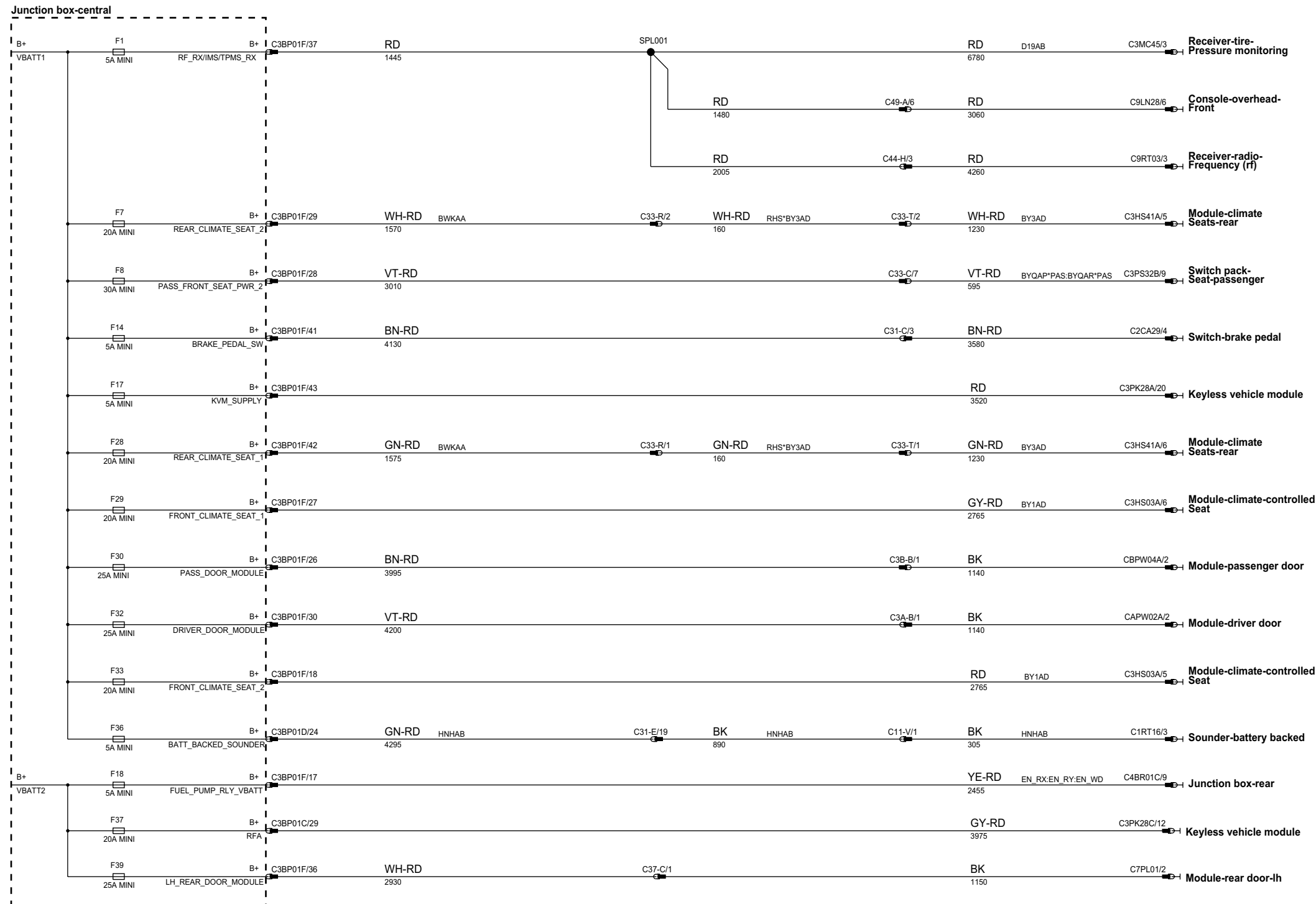
phcw93-70010-d-a3



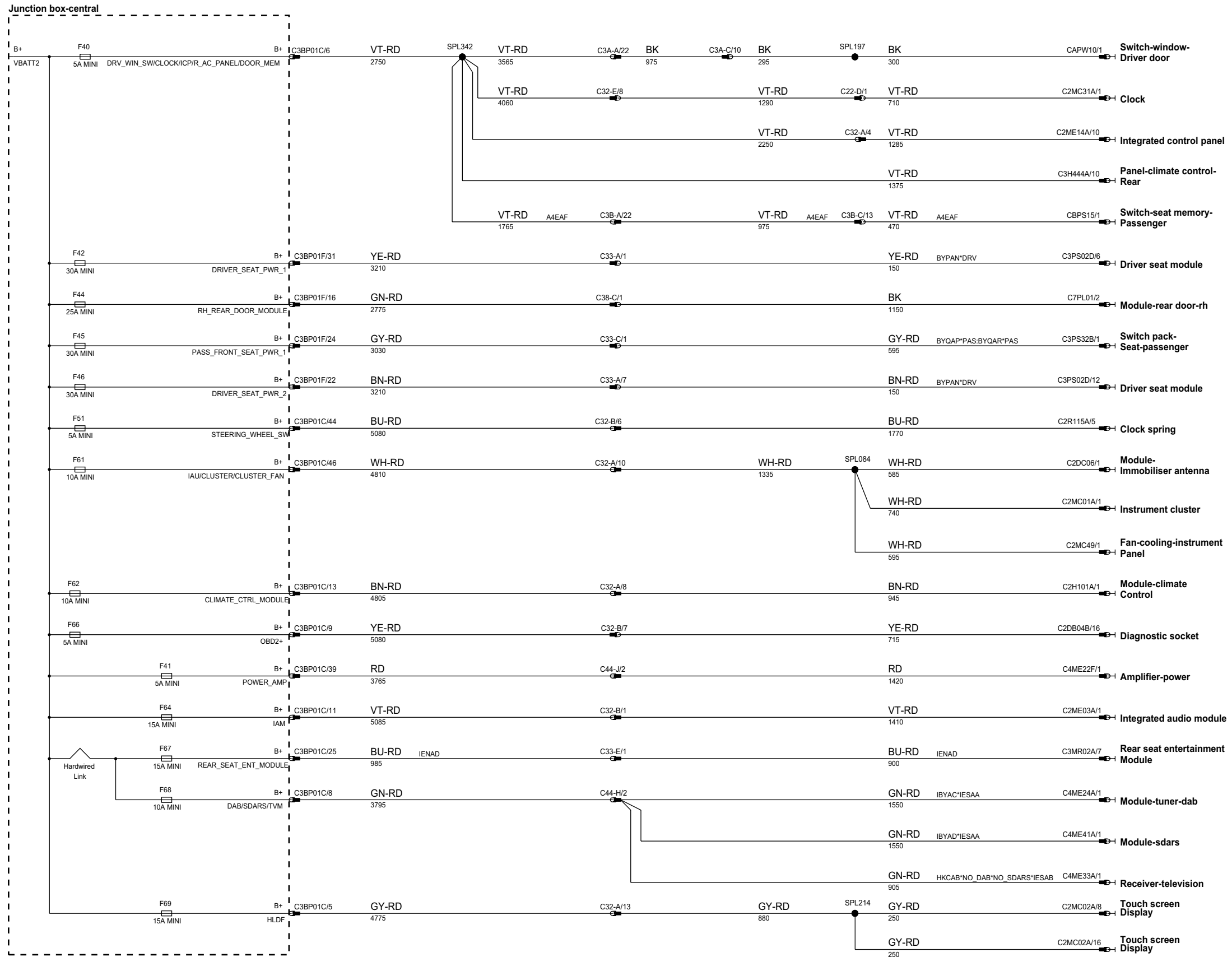
phcw93-70010-f-a3



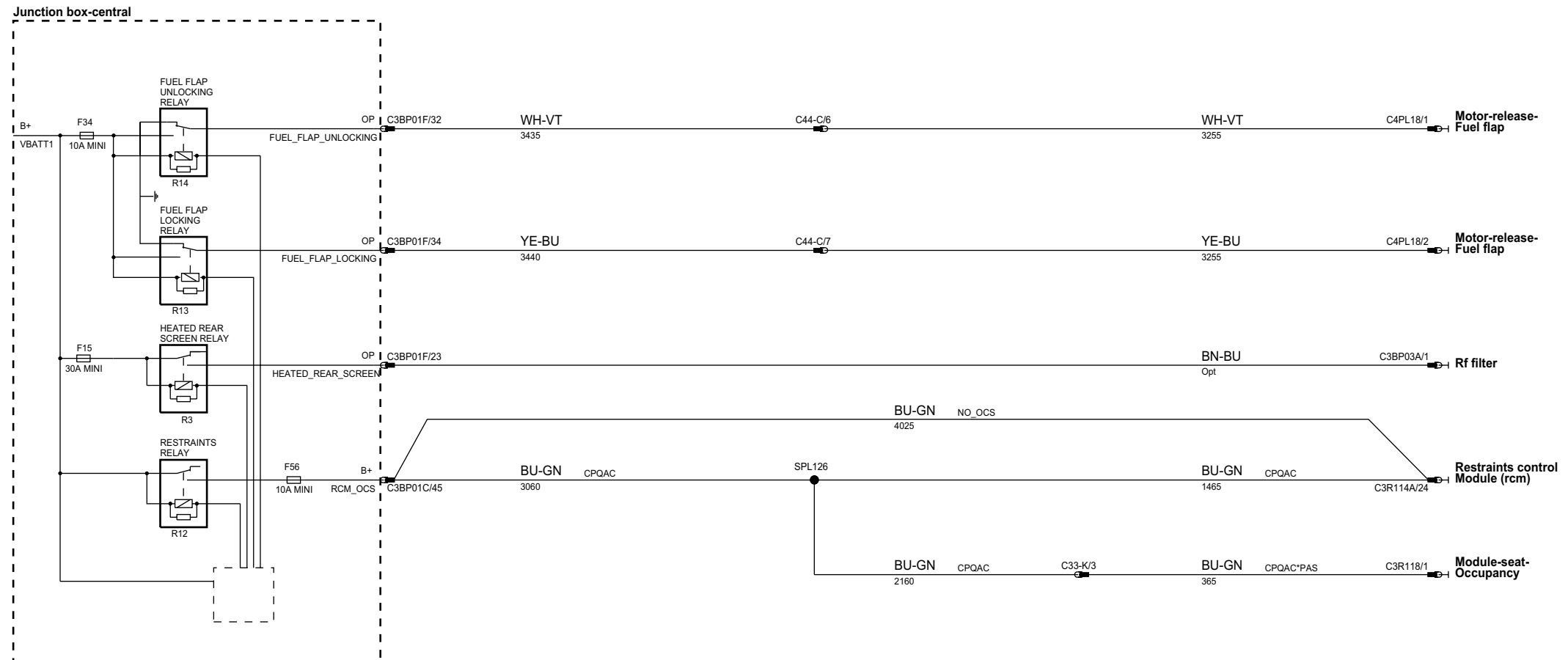
phcw93-70010-k-a3



phcw93-70010-a3



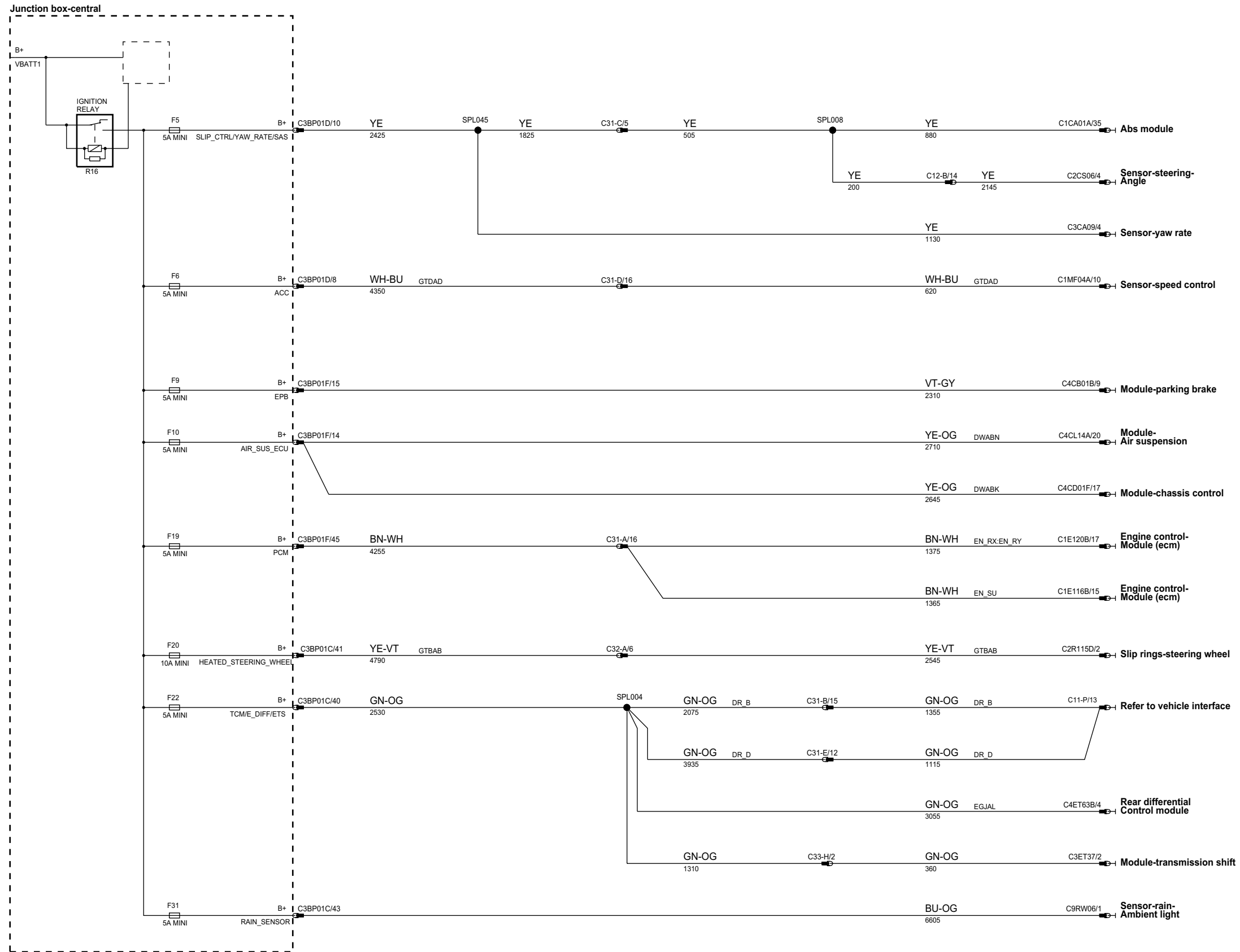
phcw93-70010-m-a3



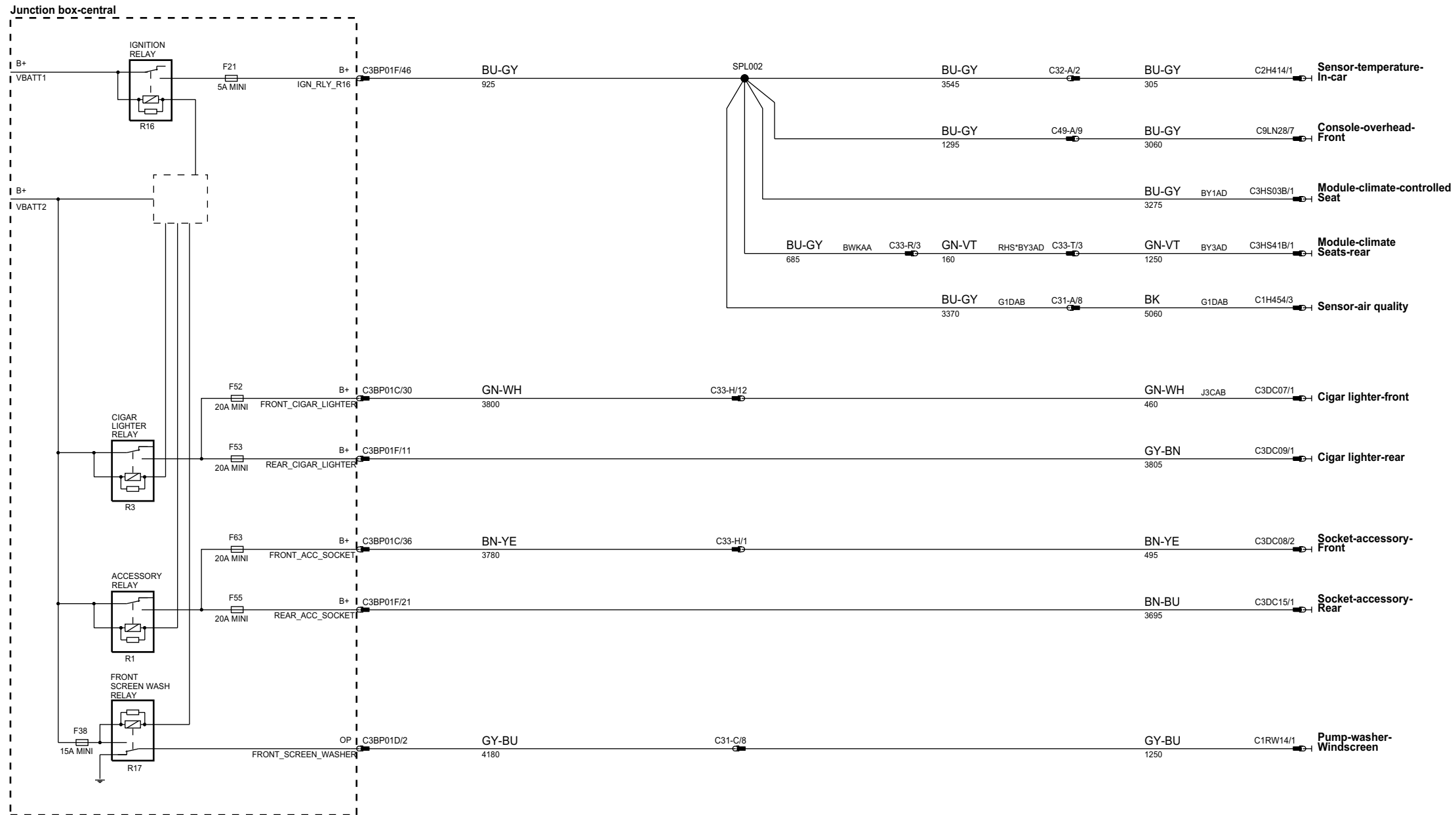
x



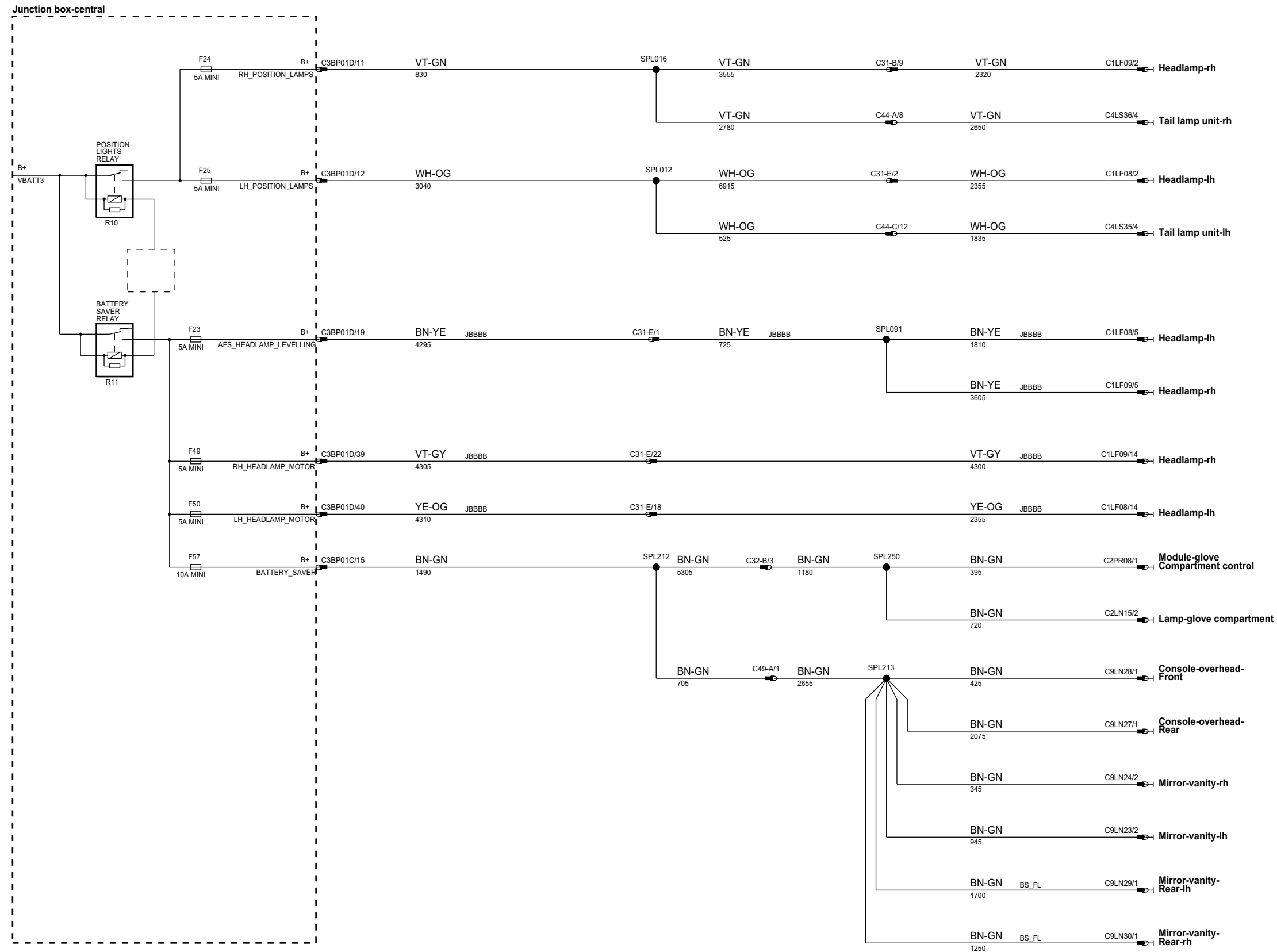
phcw93-70010-n-a3



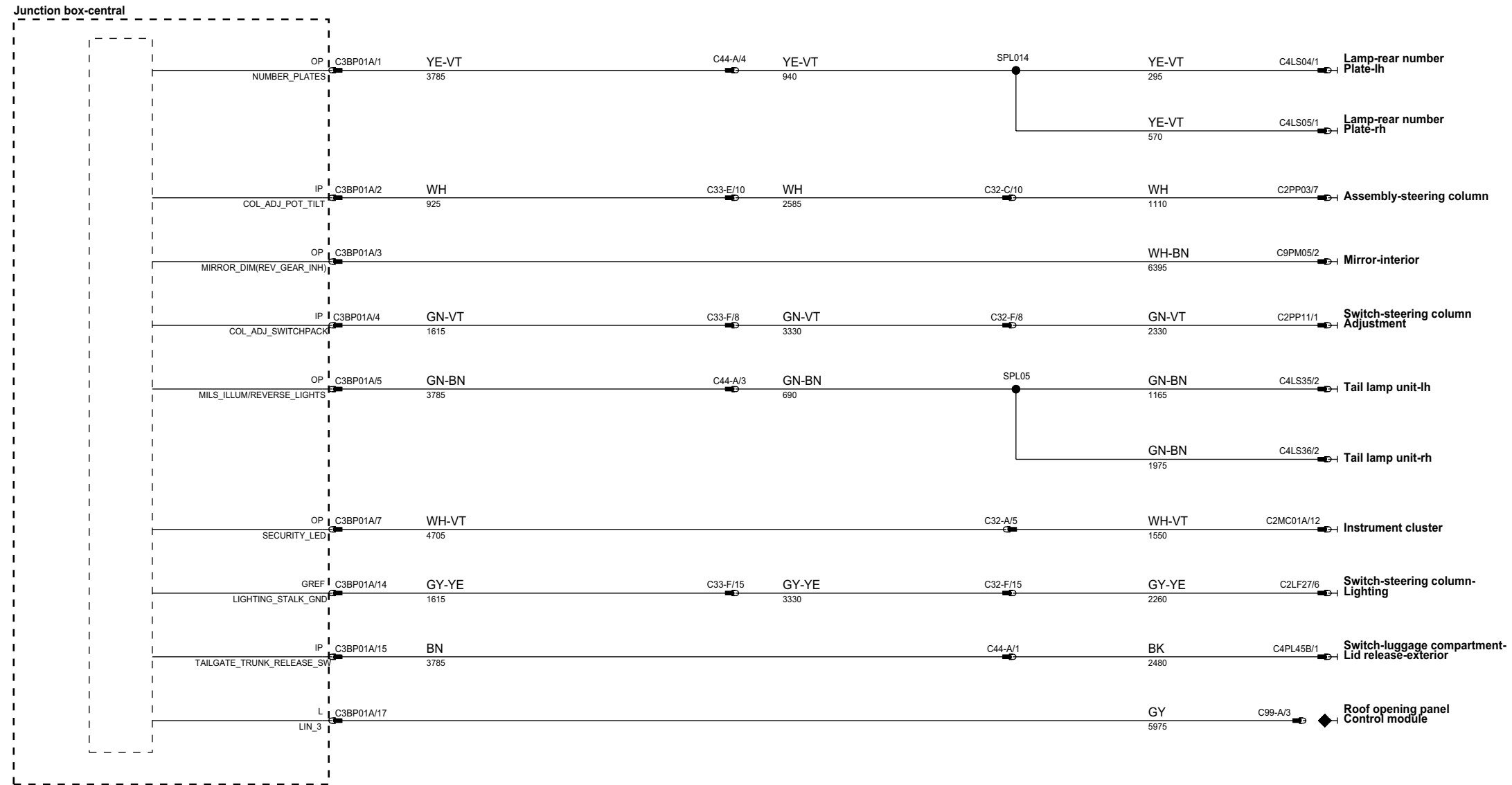
phcw93-70010-p-a3



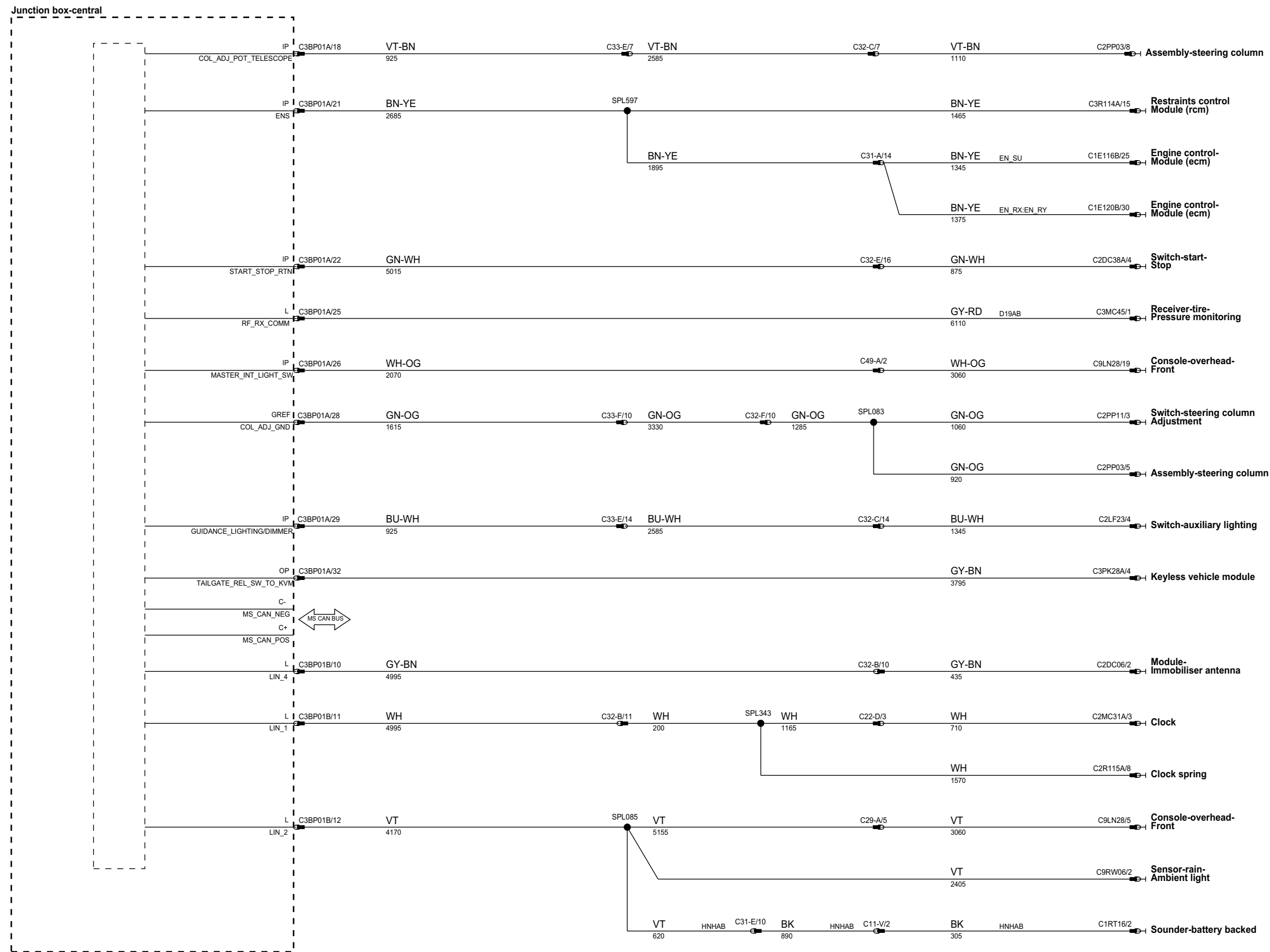
phcw93-70010-r-a3



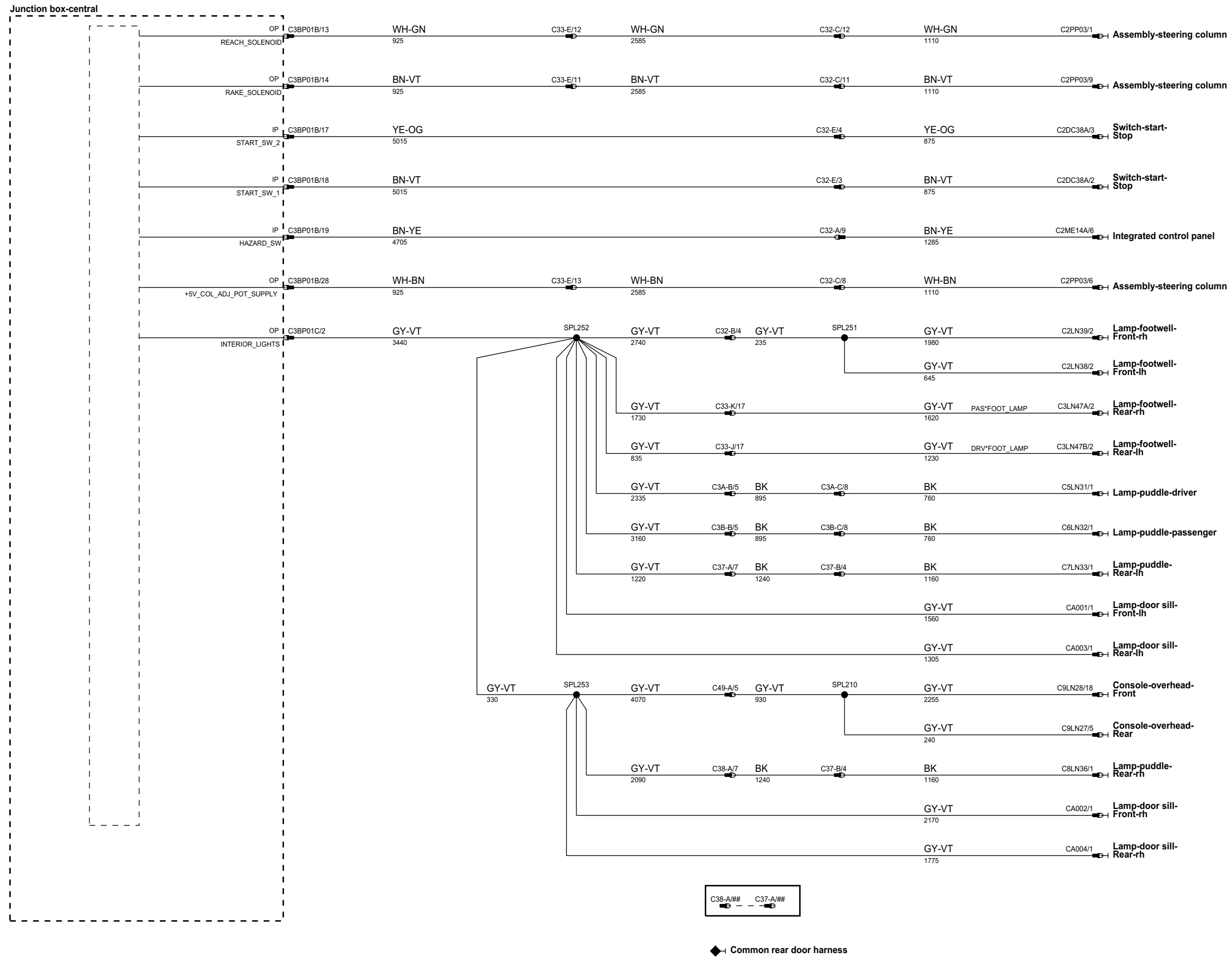
phcw93-70010-s-a3



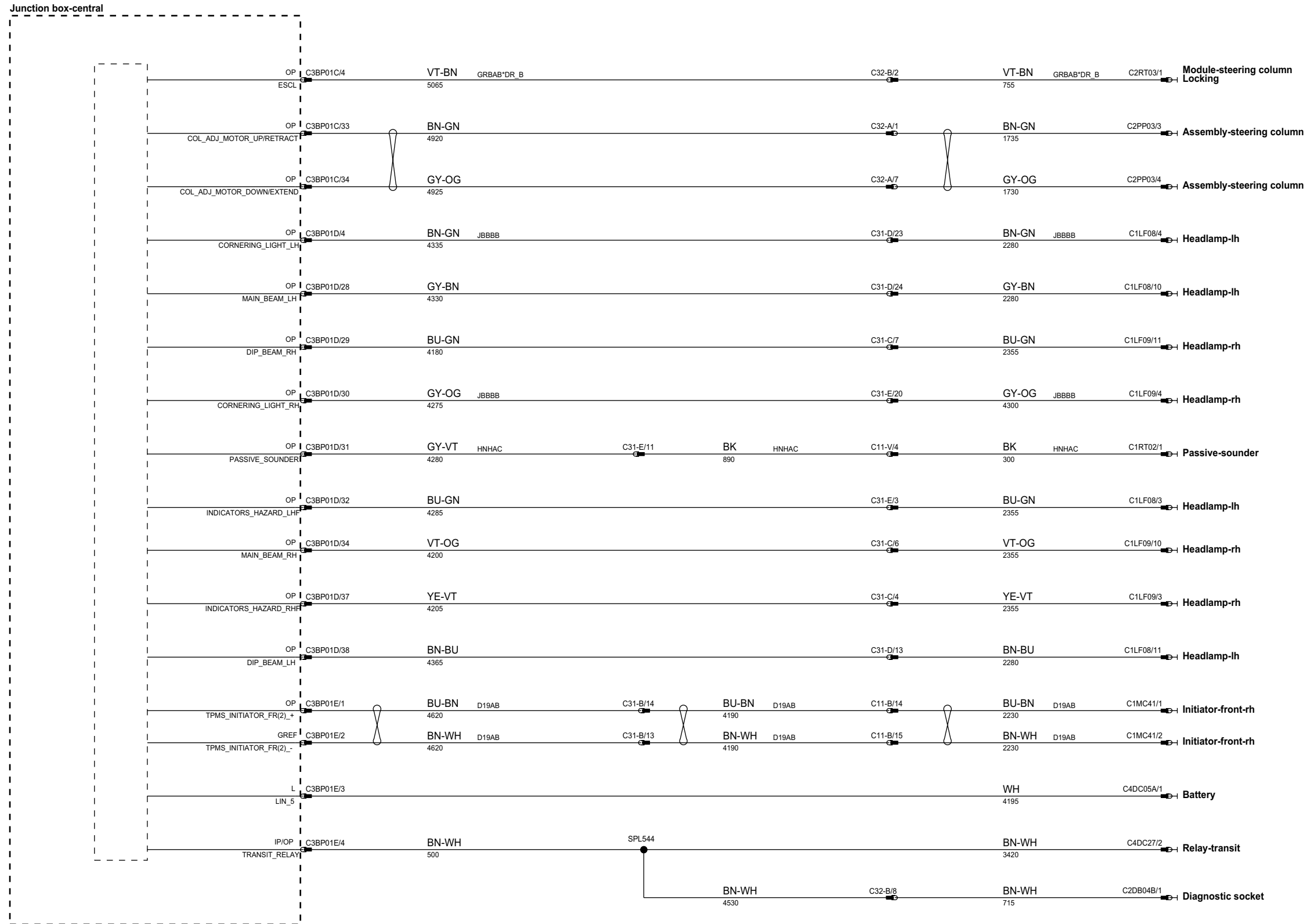
phcw93-70010-1-a3



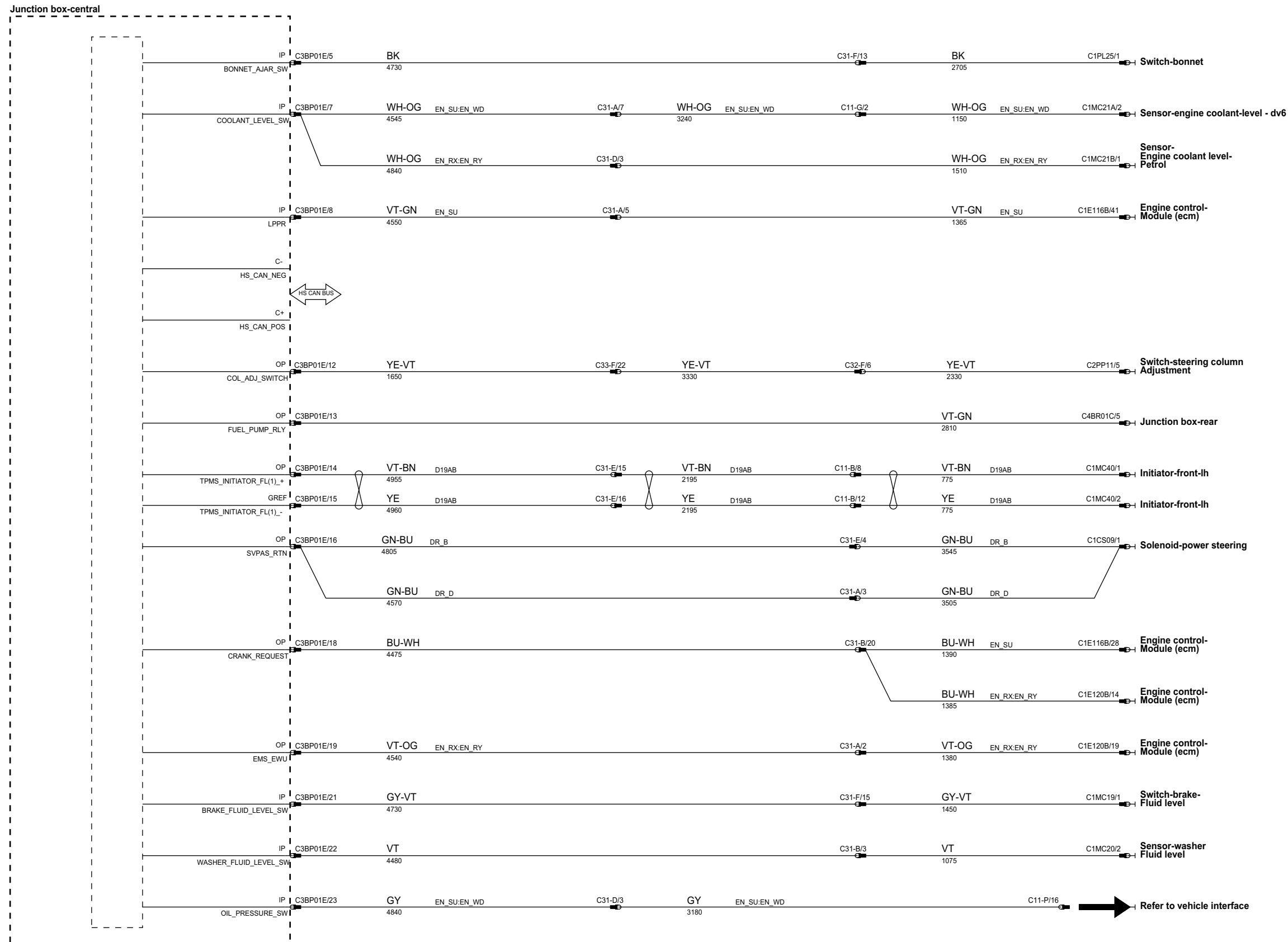
phcw93-70010-u-a3



phcw93-70010-v-a3

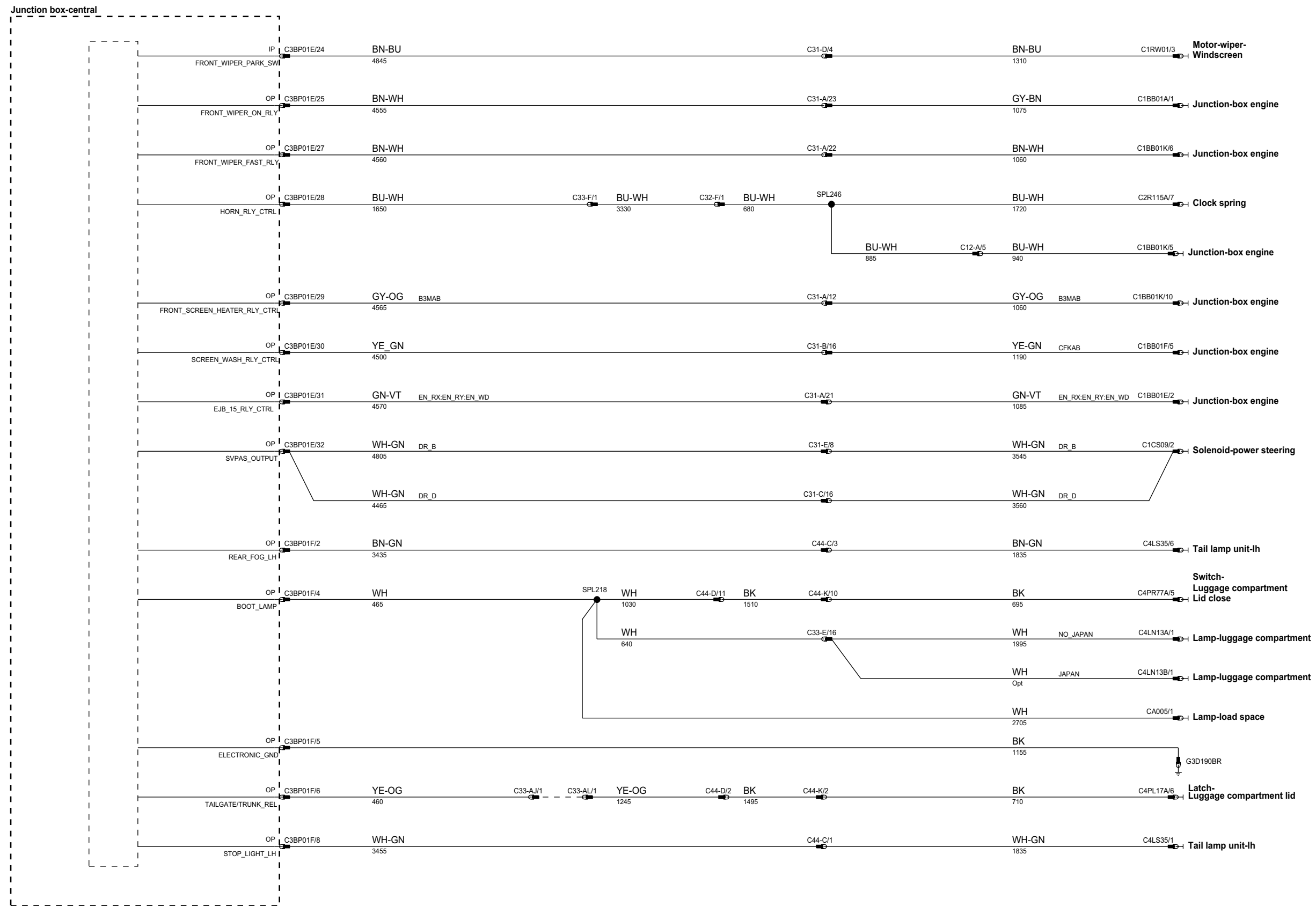


phcw93-70010-y-a3

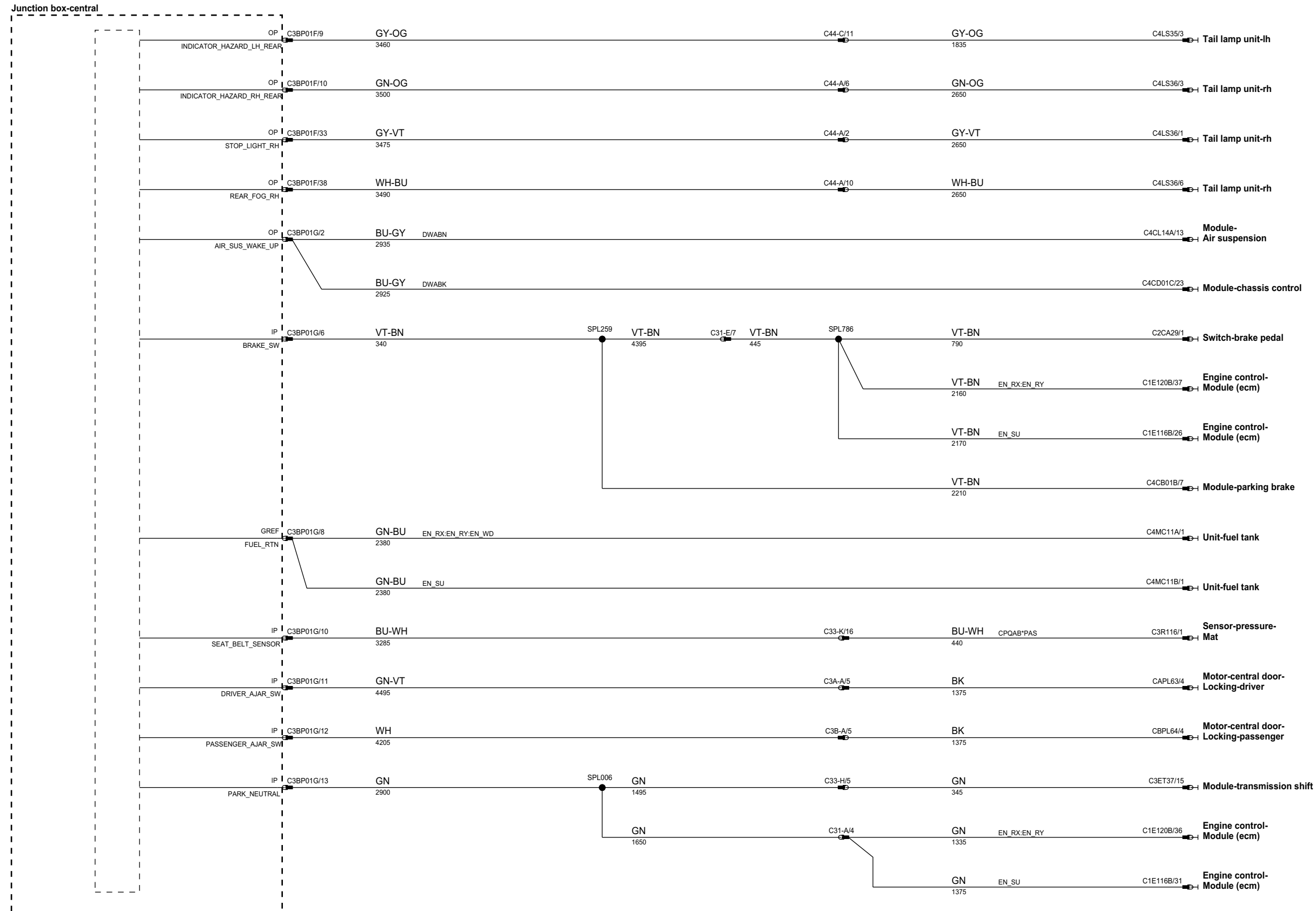




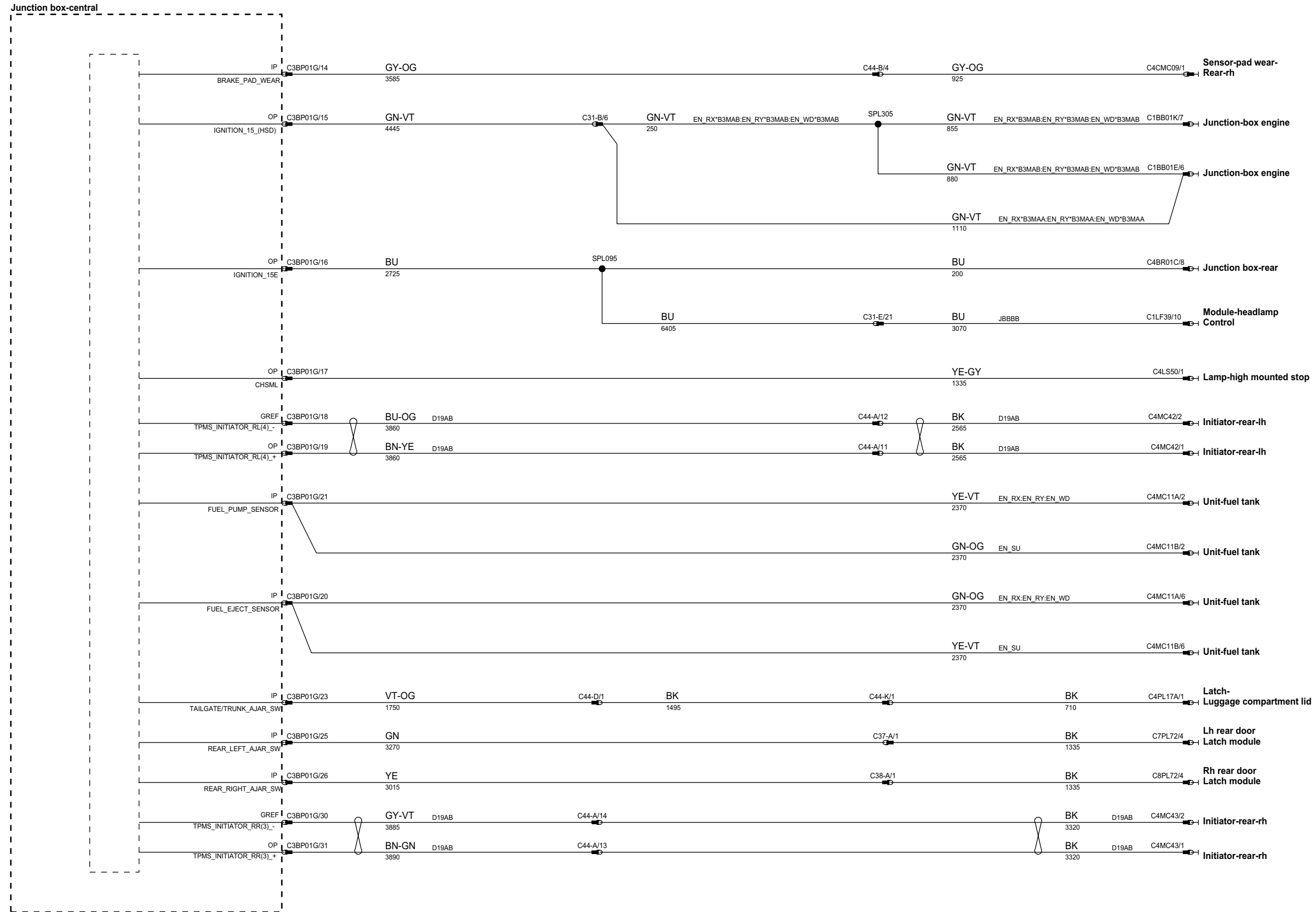
phcw93-70010-z-a3



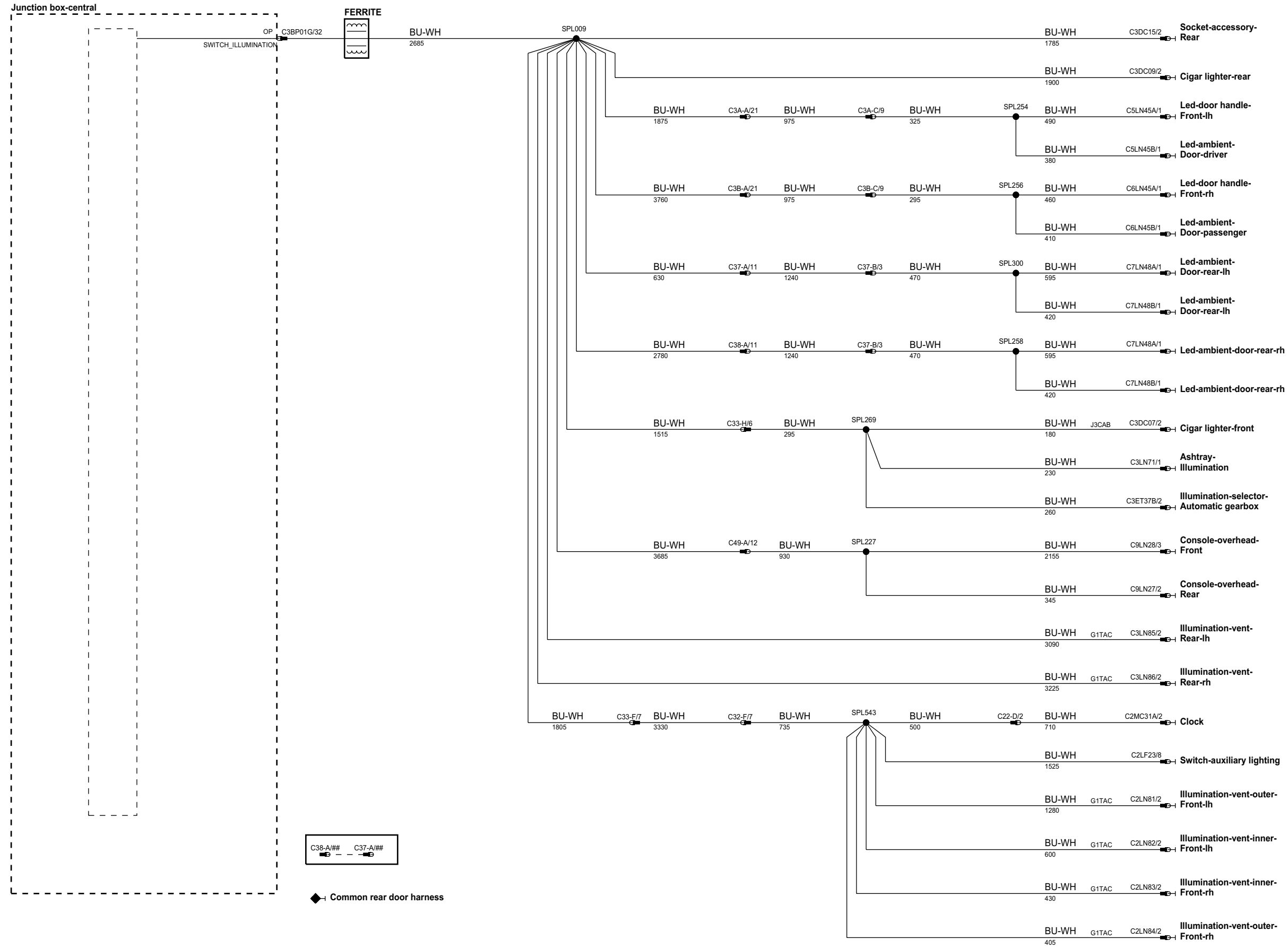
phcw93-70010-za-a3



phcw93-70010-zb-a3

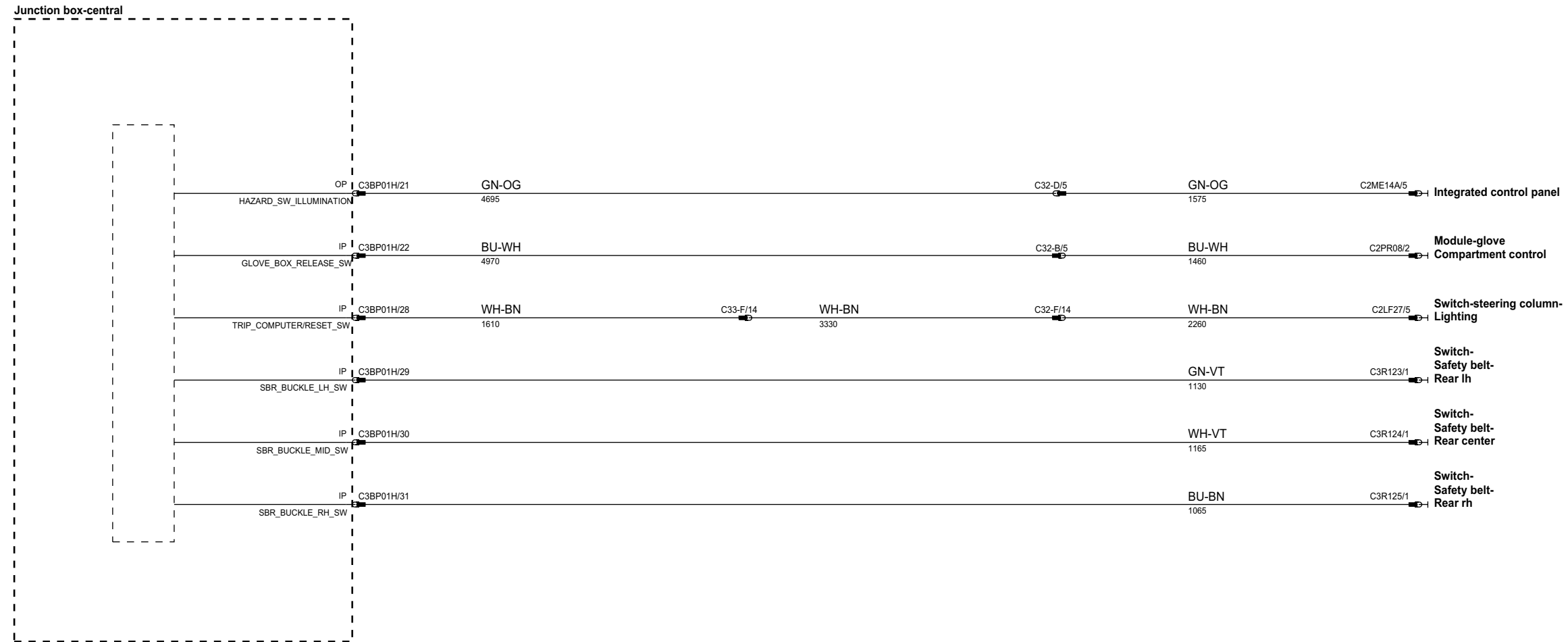


phcw93-70010-zc-a3



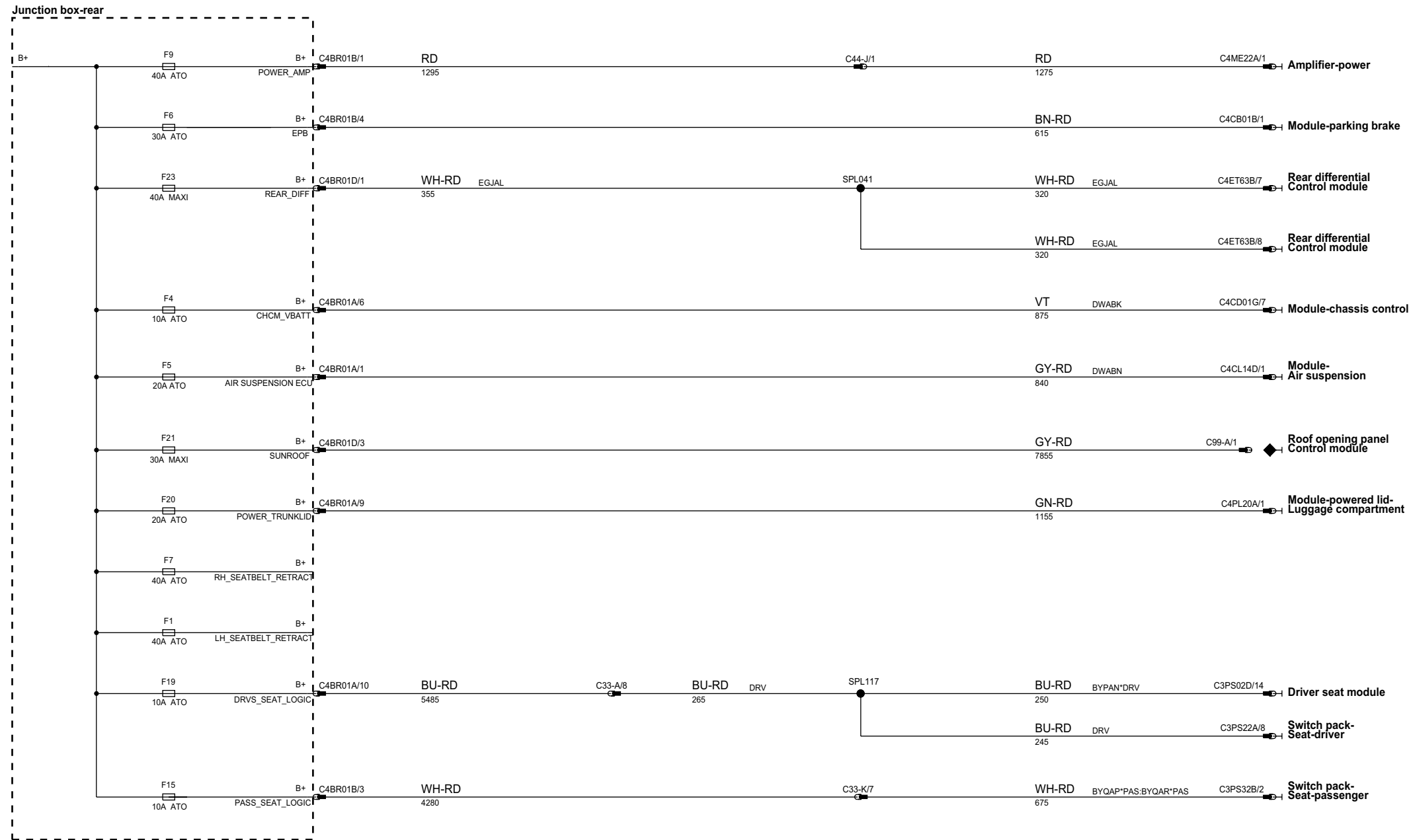


phcw93-70010-z6-a3

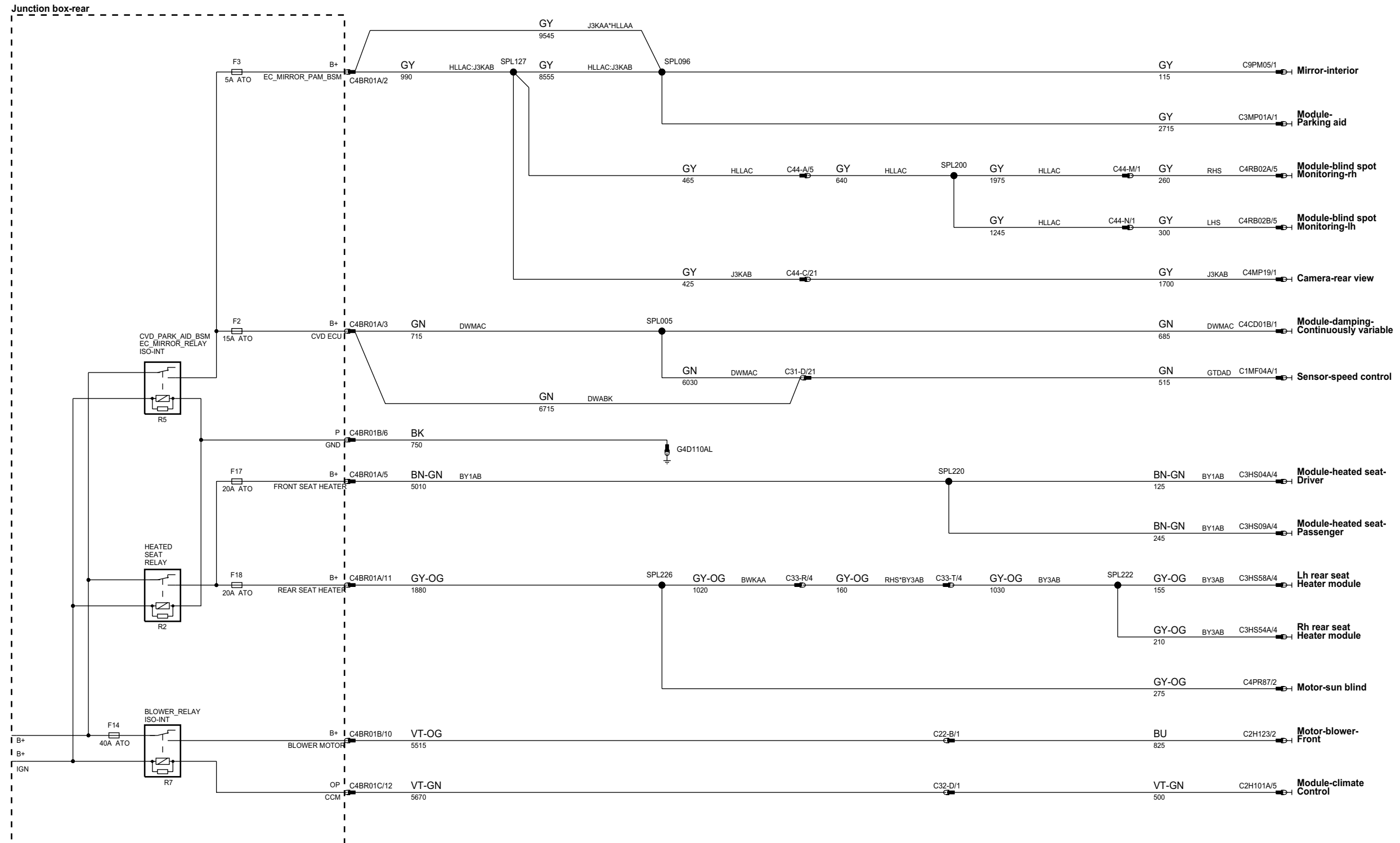


x

phcw93-70010-g-a3

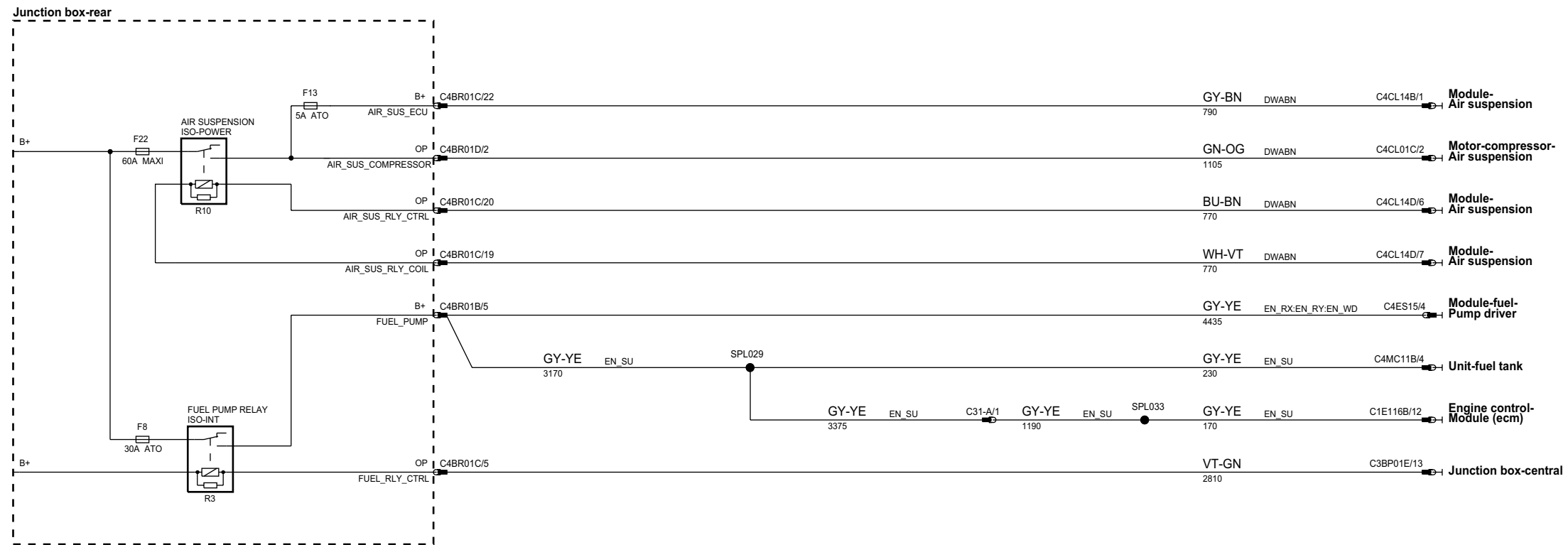


phcw93-70010-h-a3

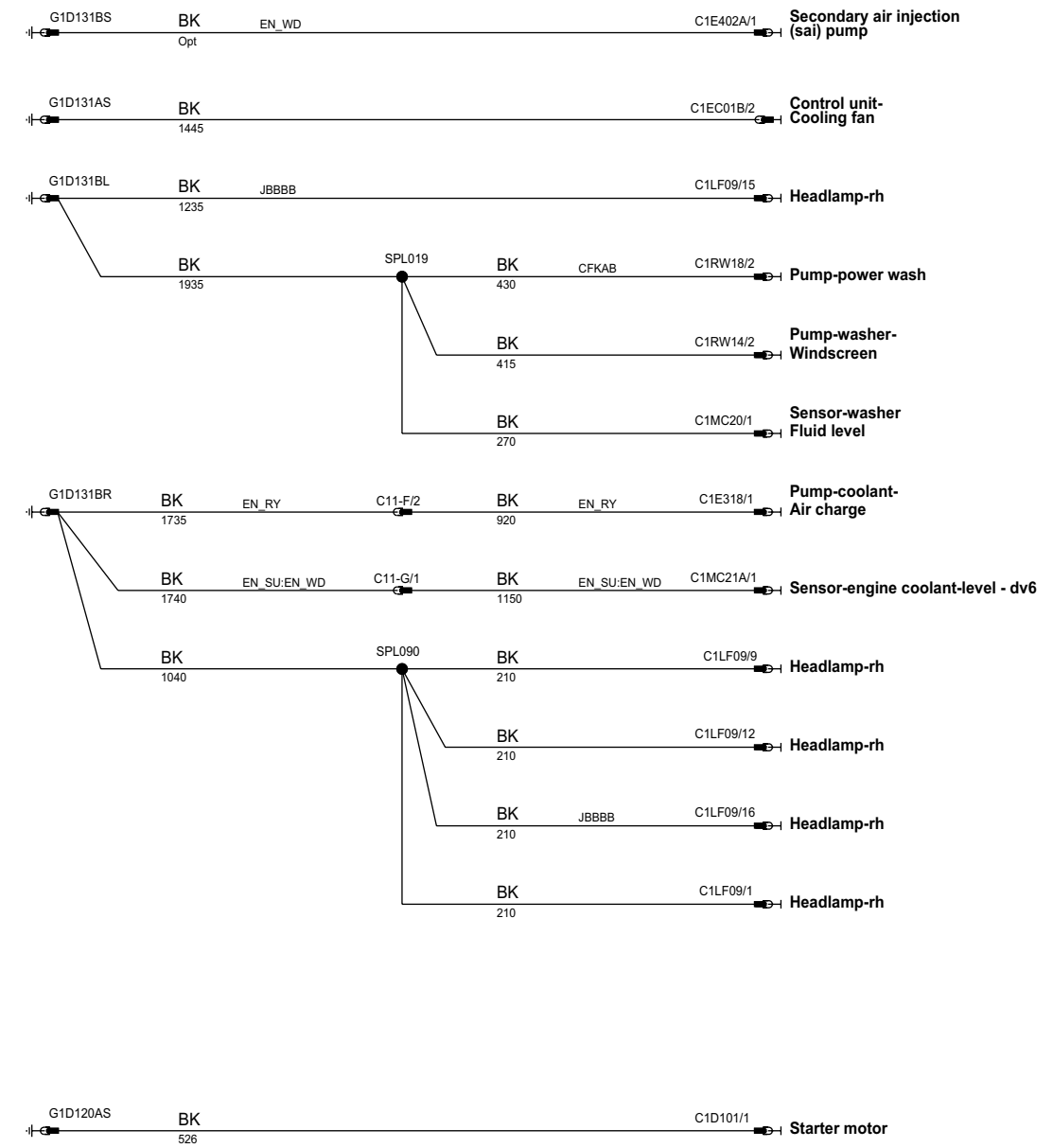
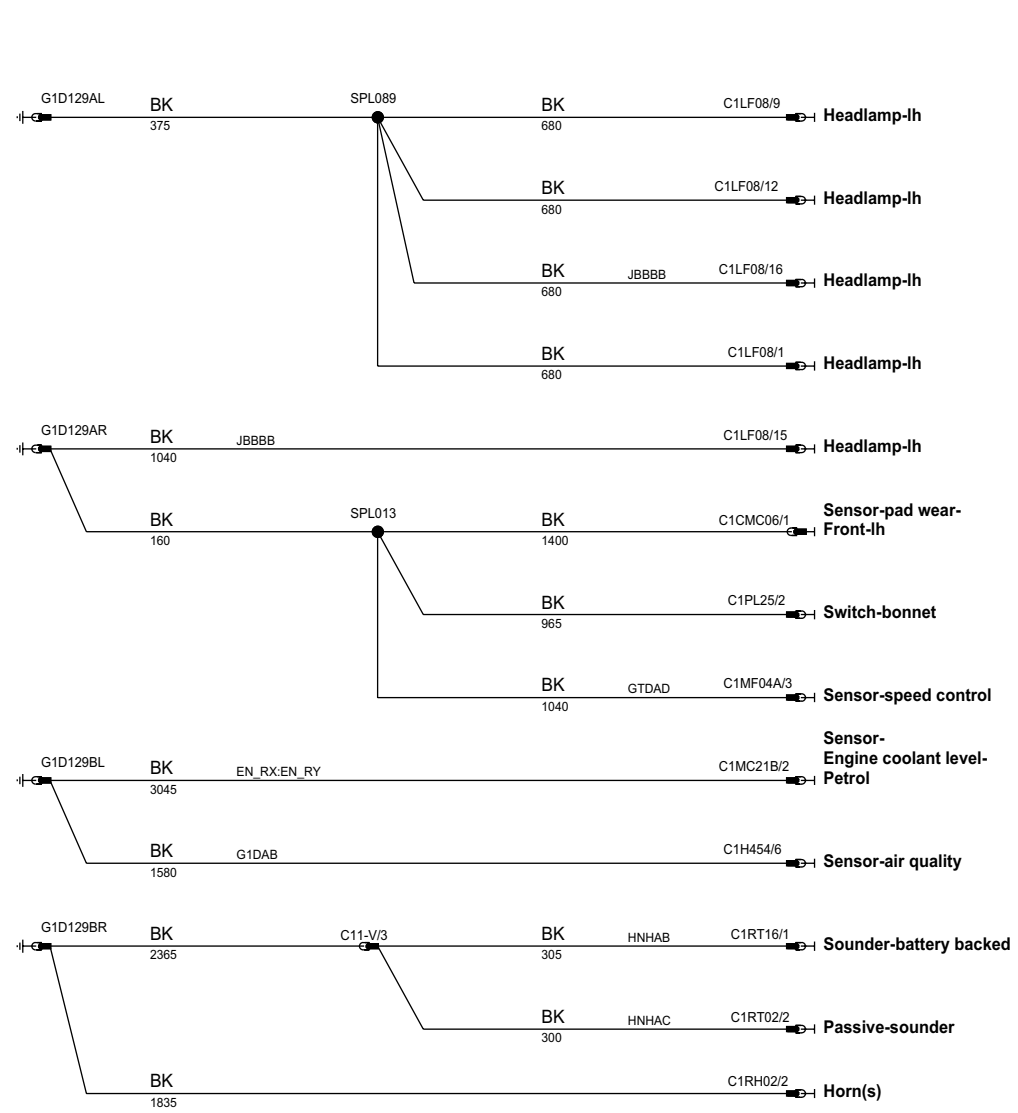




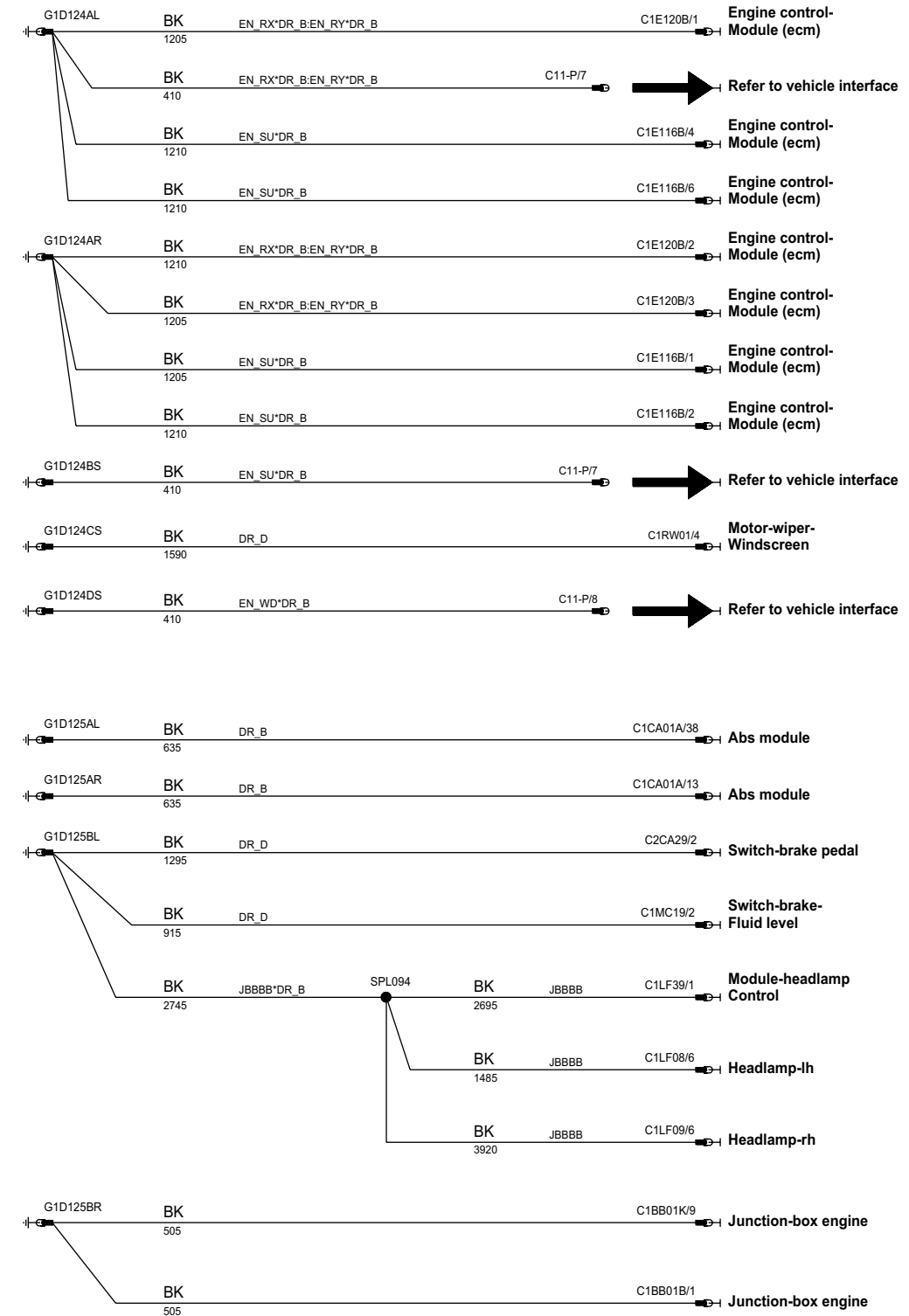
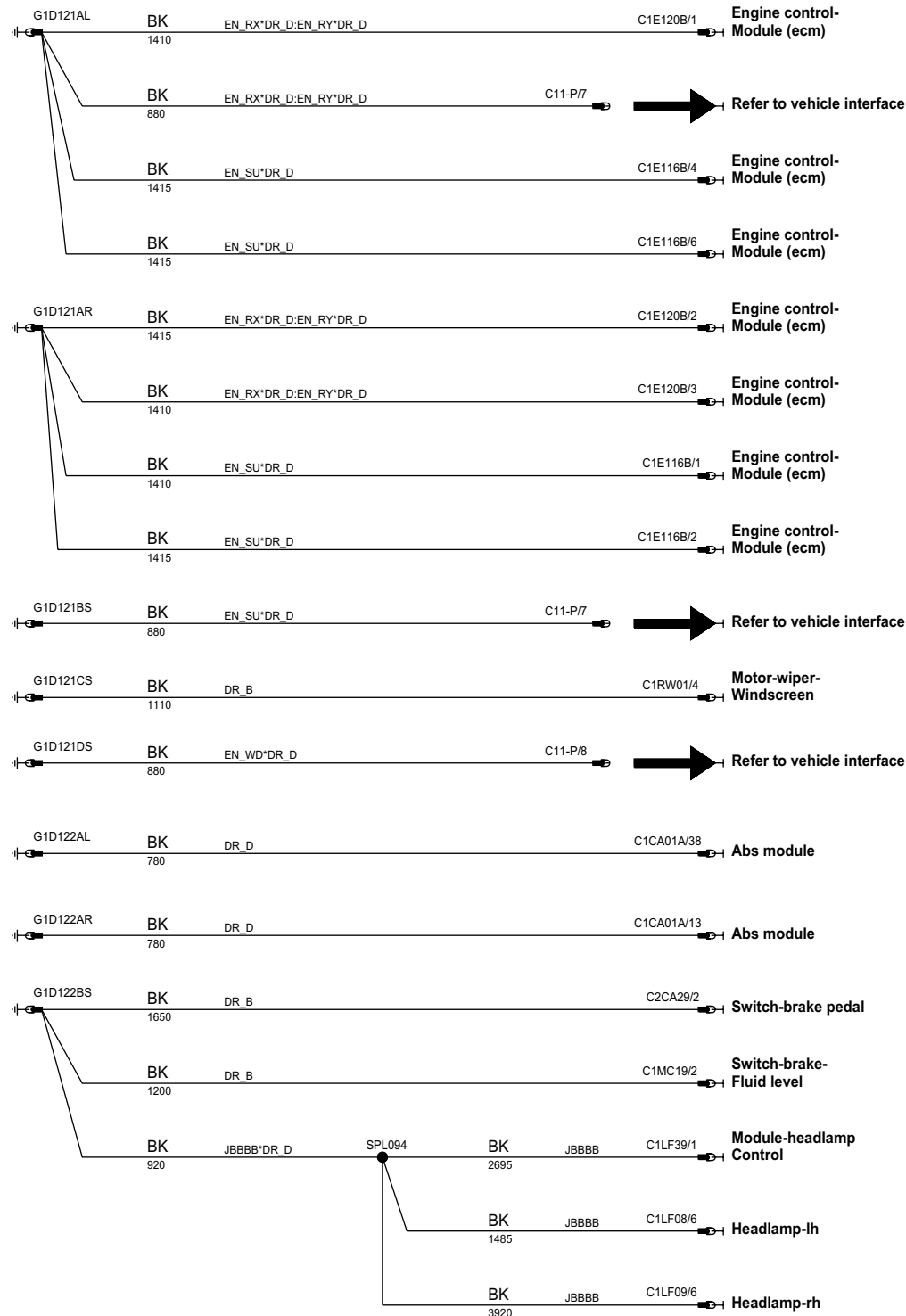
phcw93-70010-j-a3



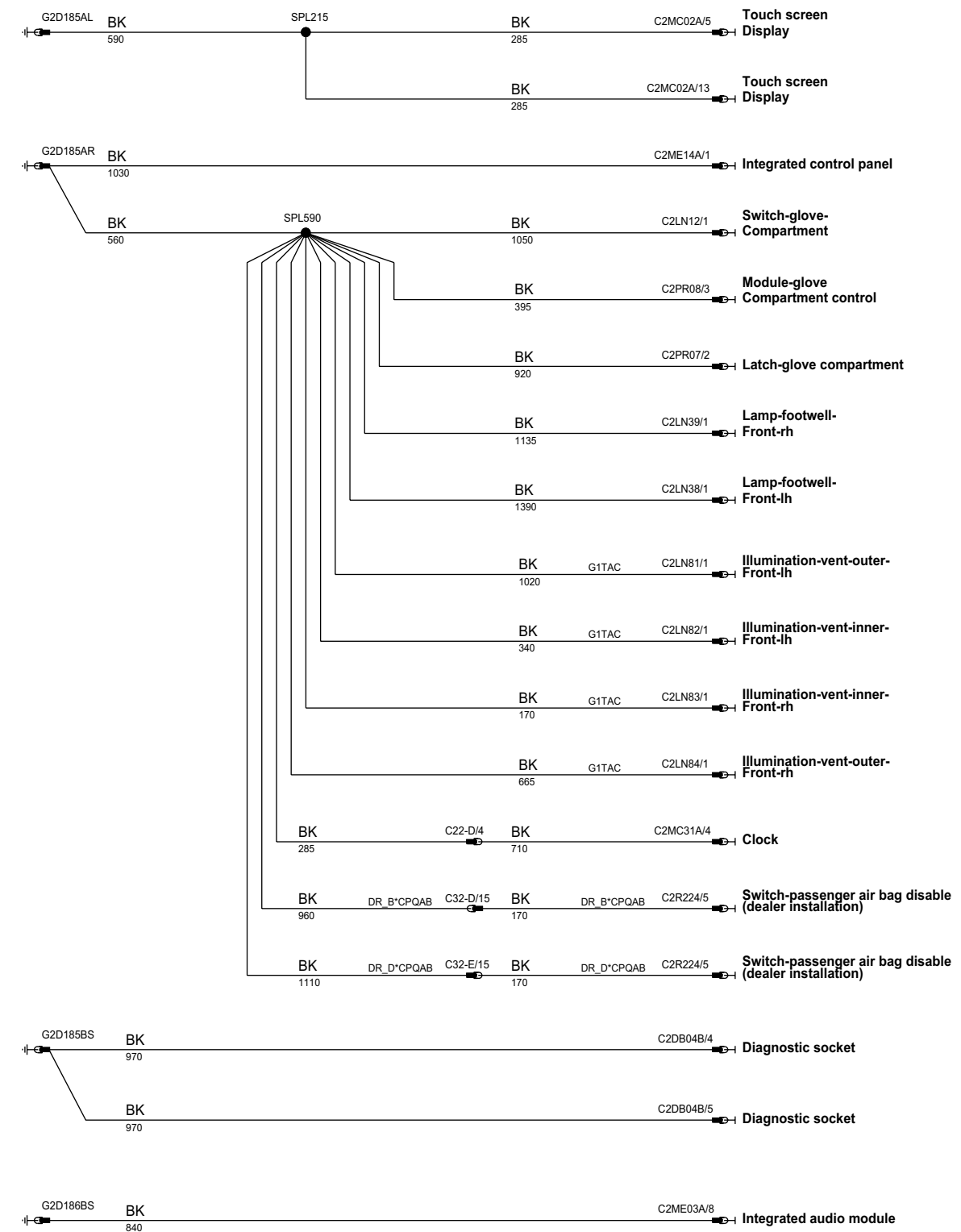
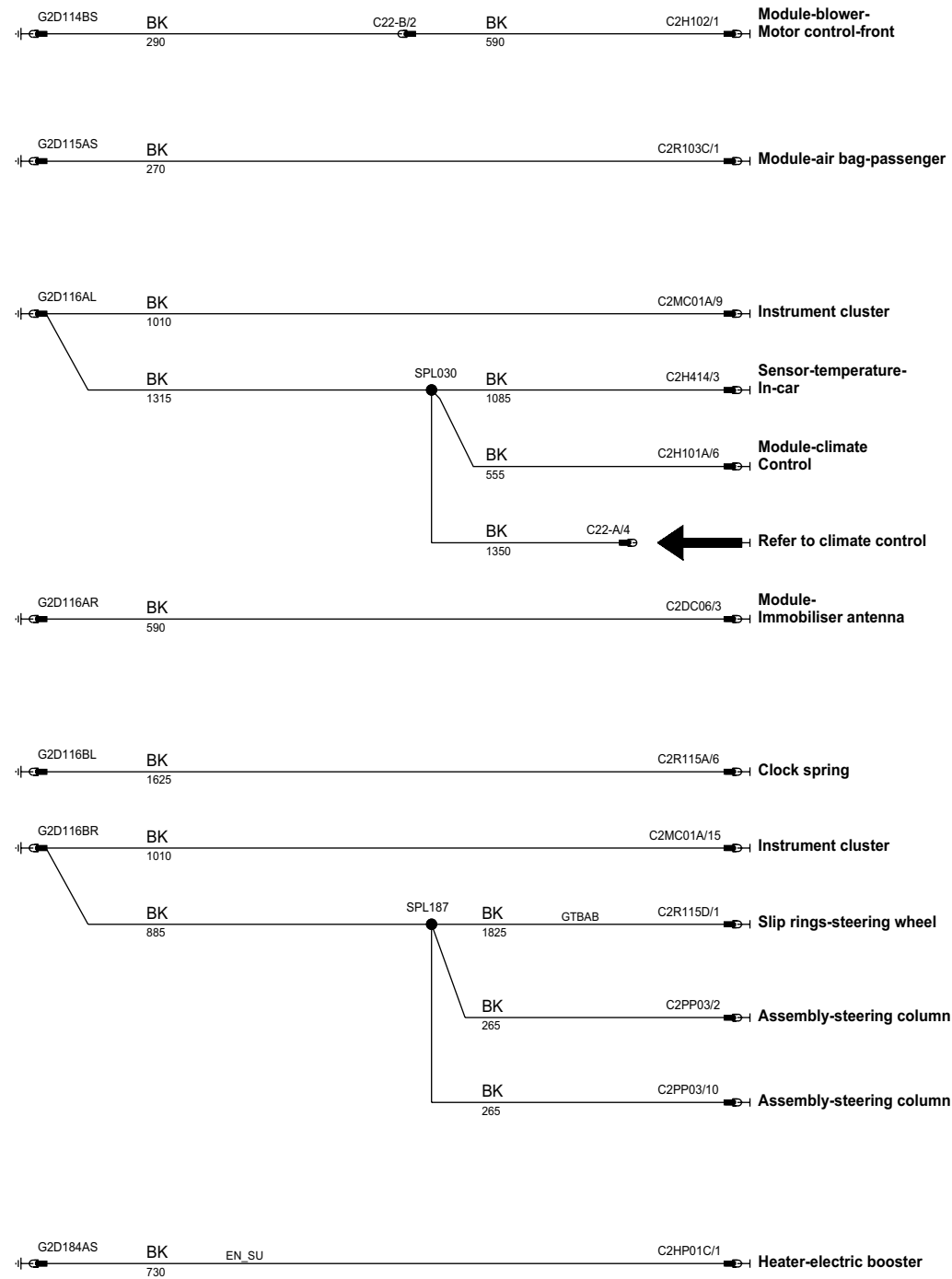
phcw93-70012-a-a3



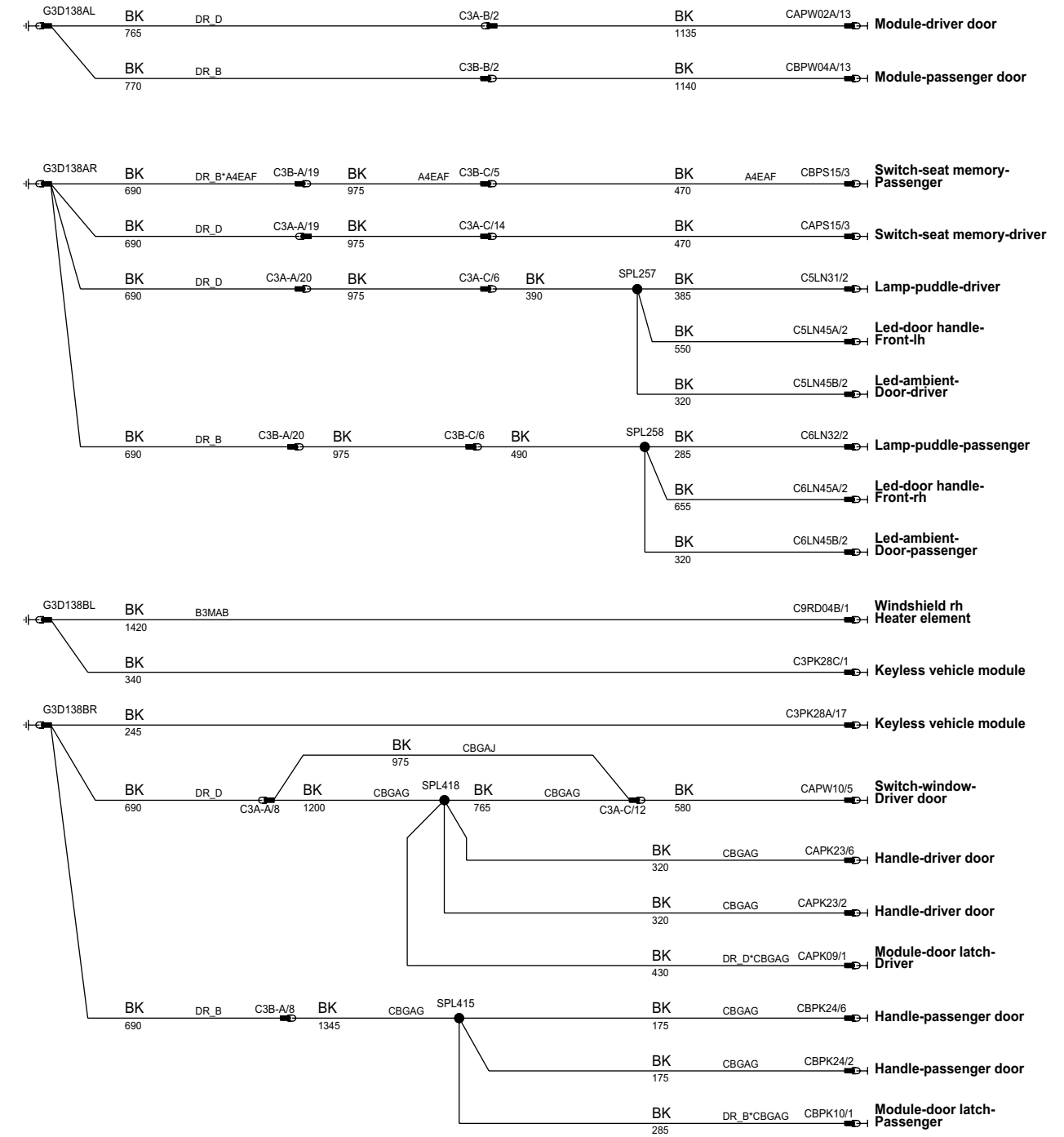
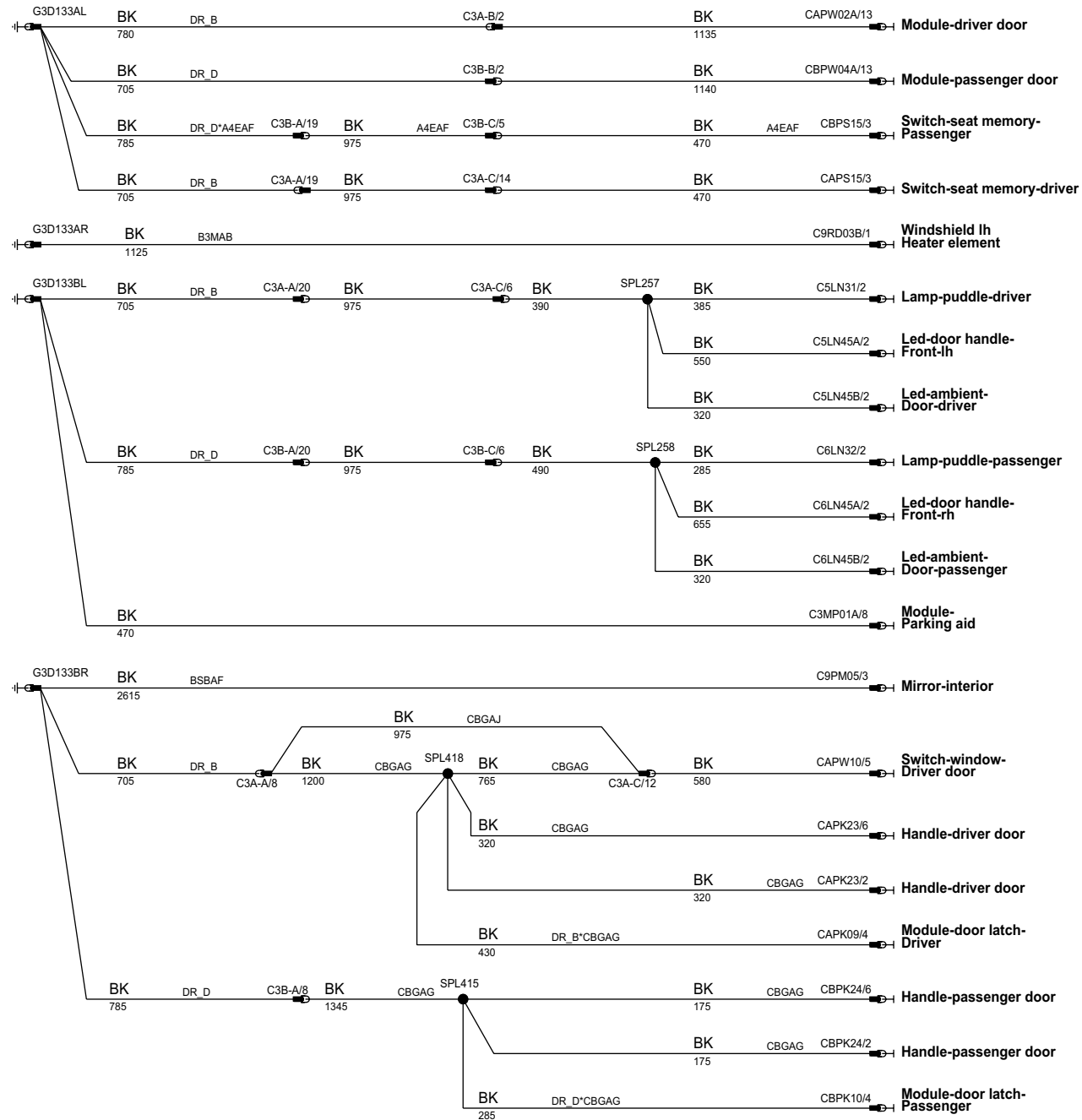
phcw93-70012-b-a3



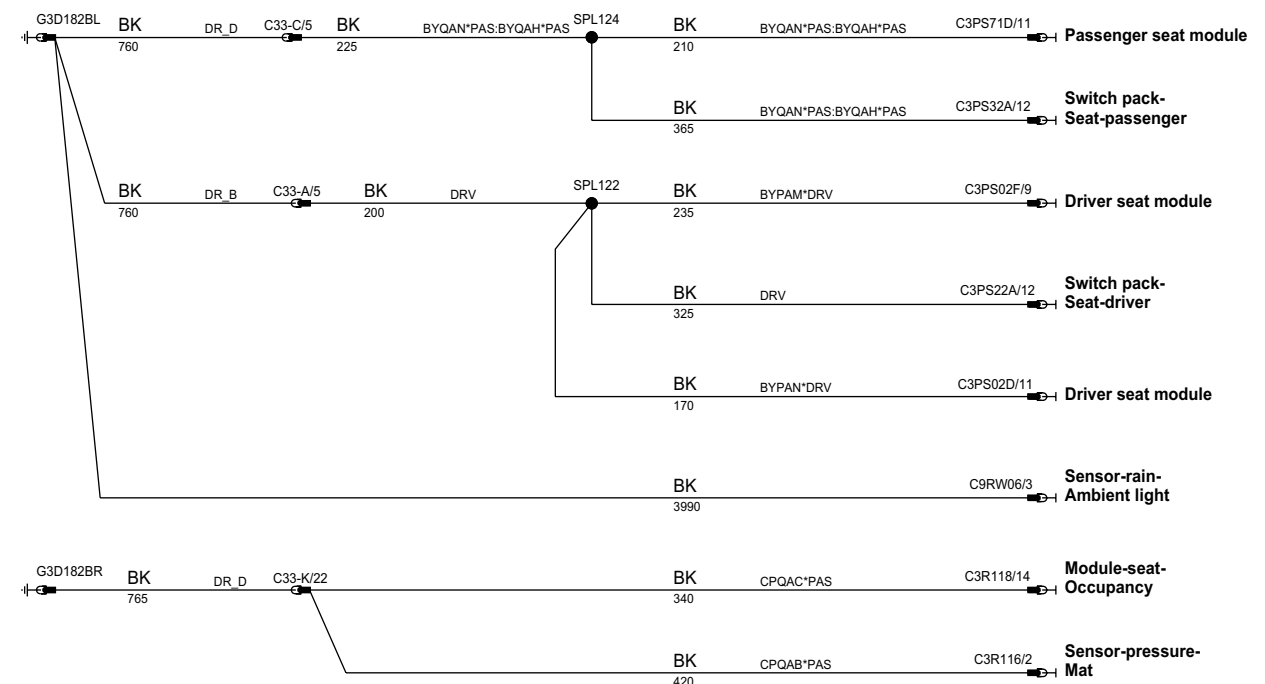
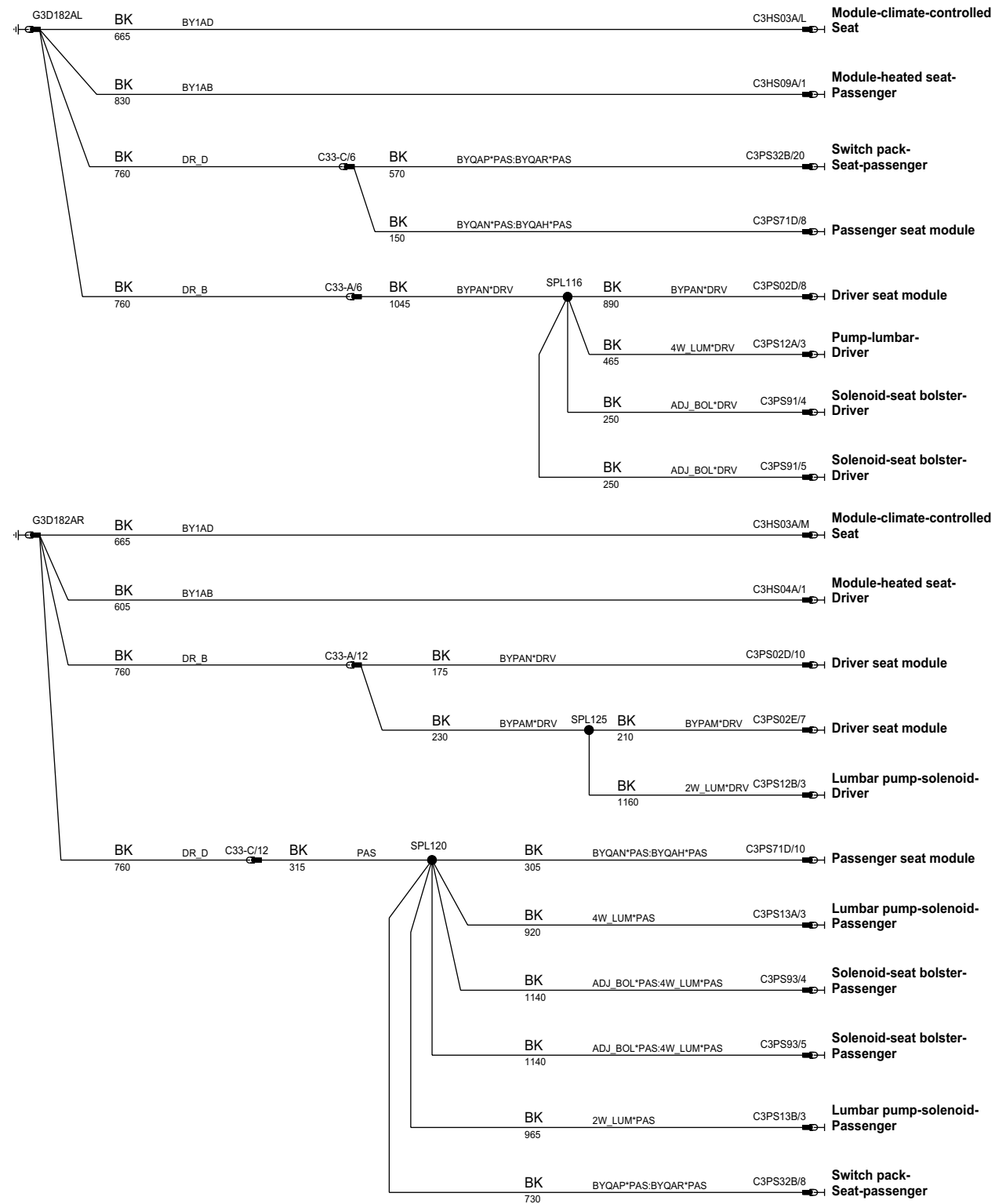
phcw93-70012-c-a3



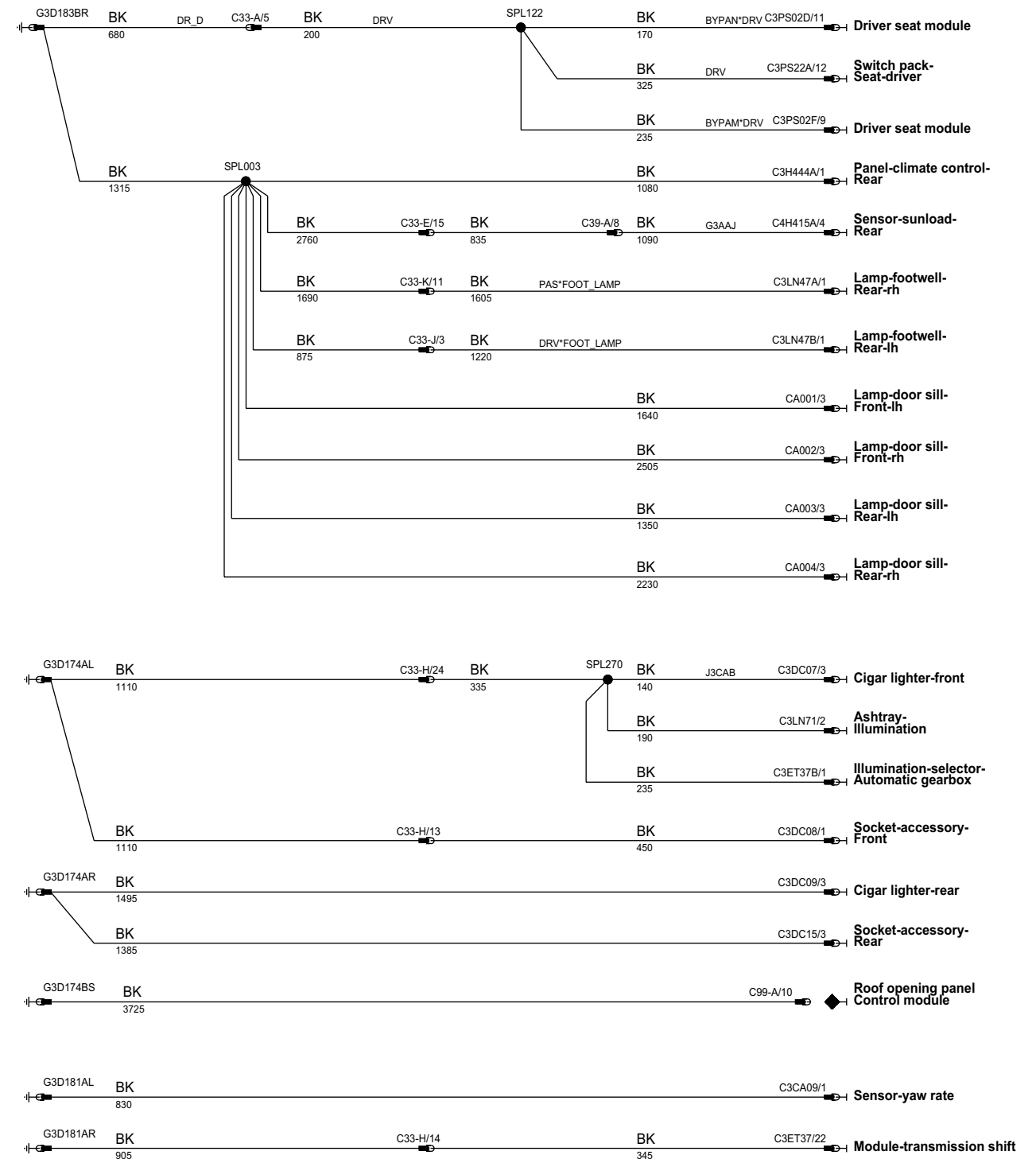
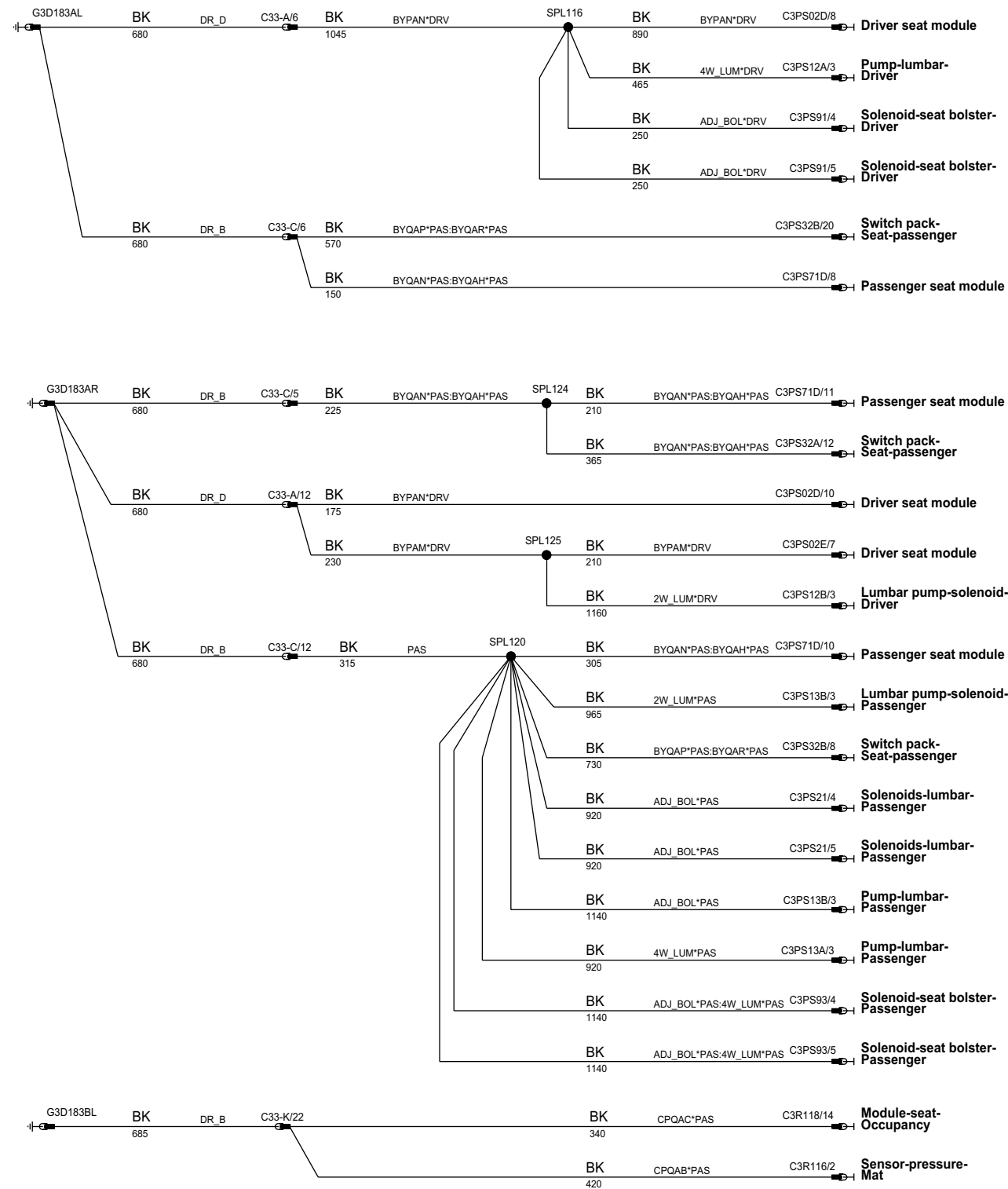
phcw93-70012-d-a3



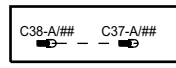
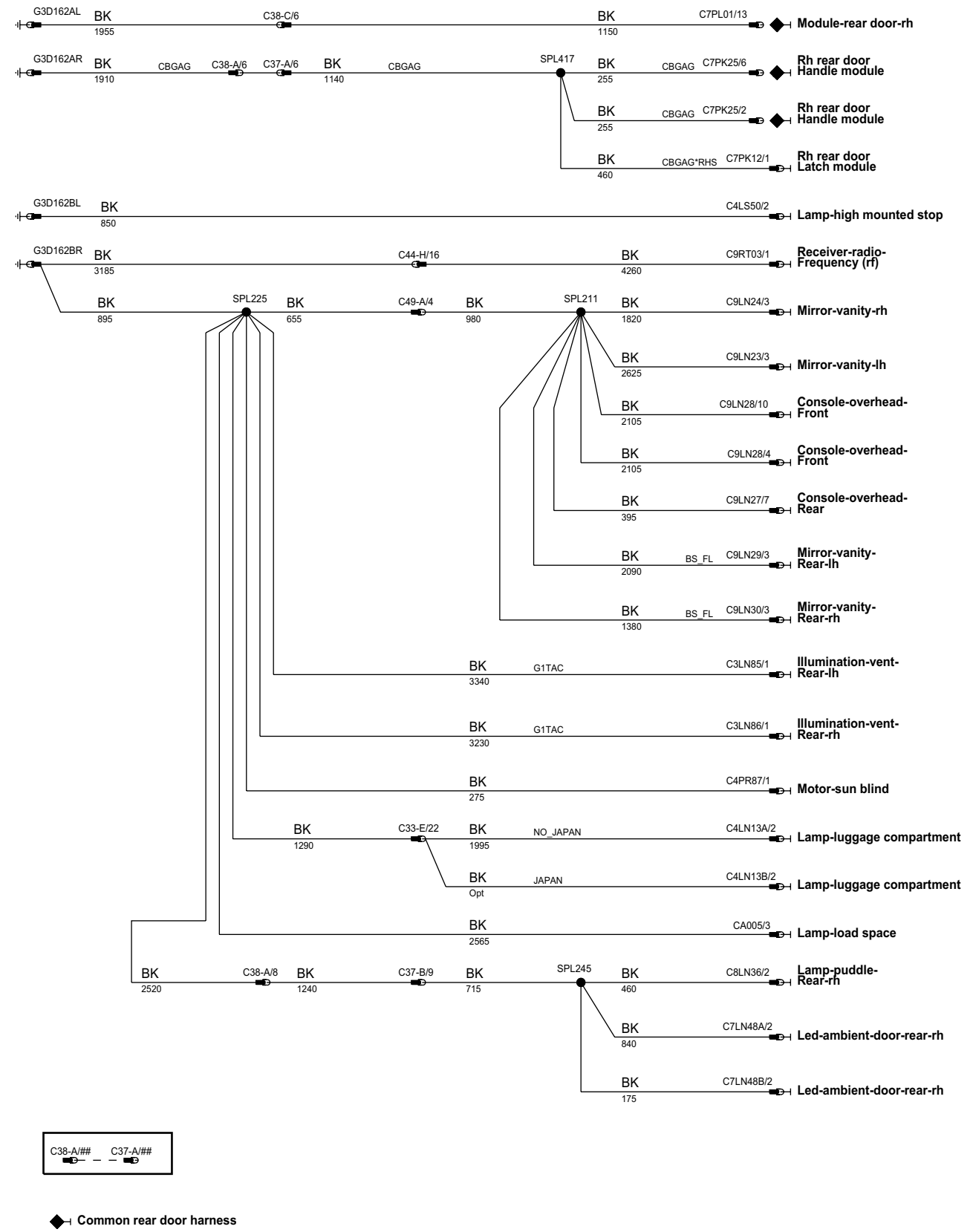
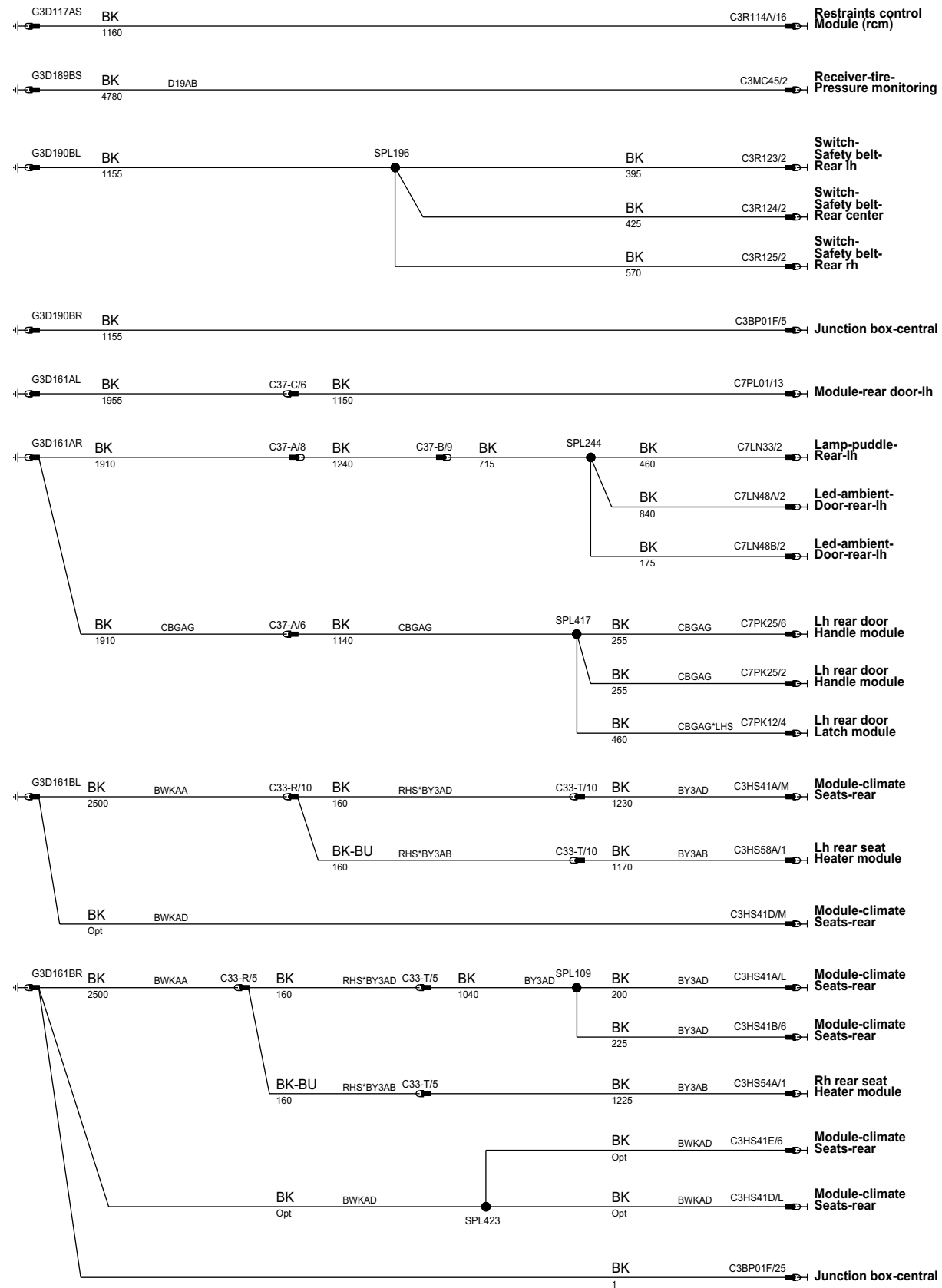
phcw93-70012-e-a3



phcw93-700124-a3



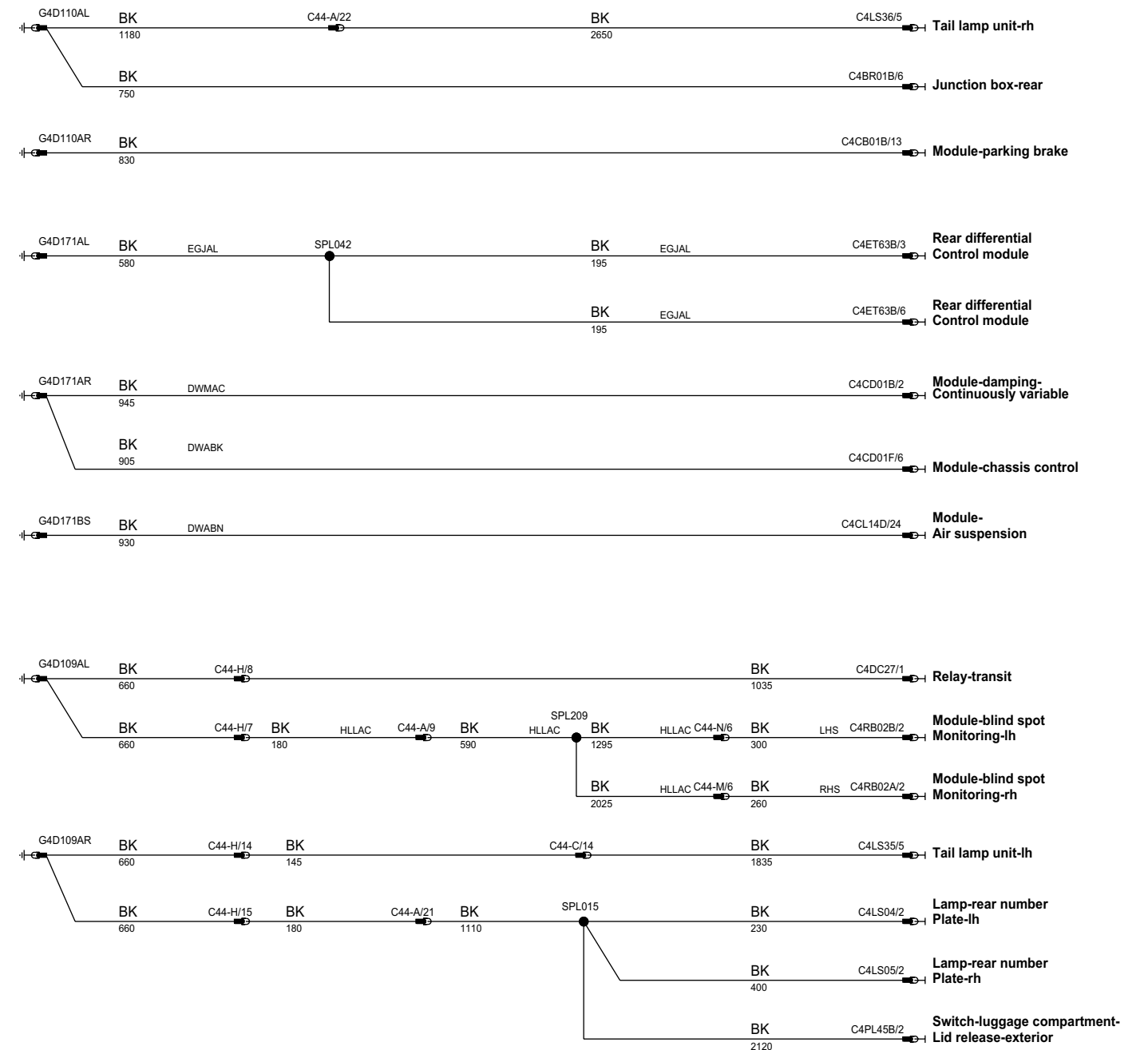
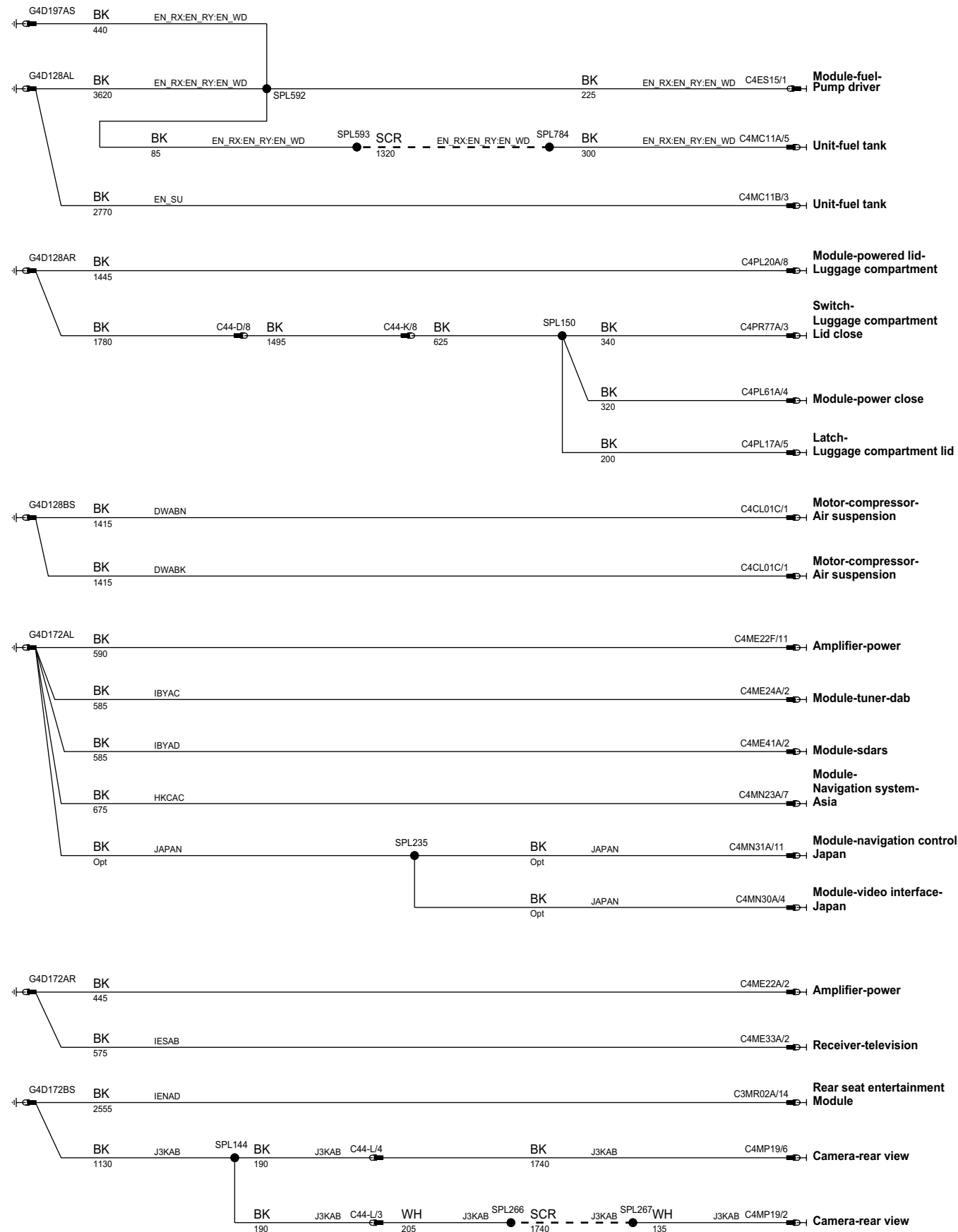
phcw93-70012-g-a3



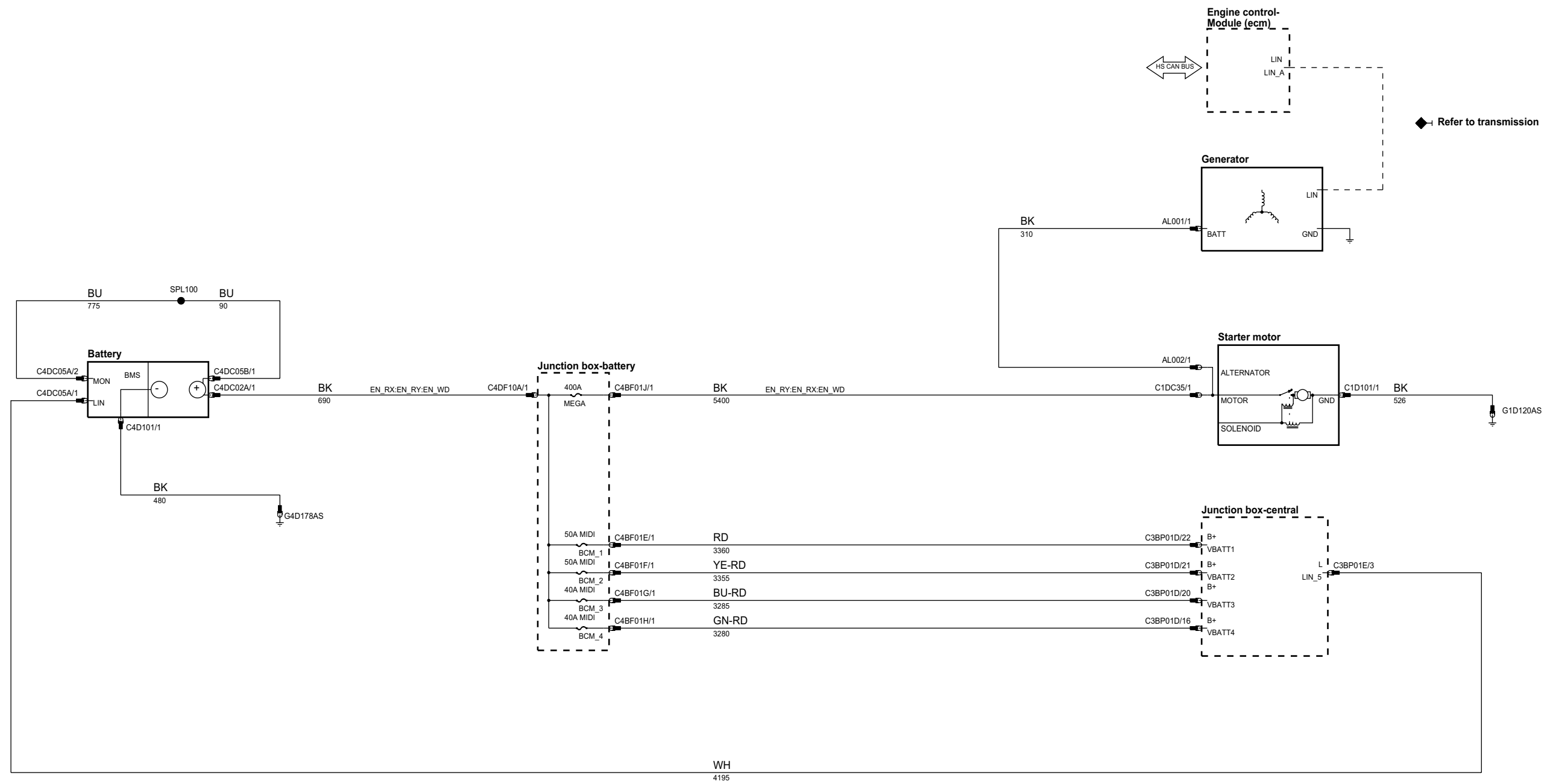
◆ Common rear door harness



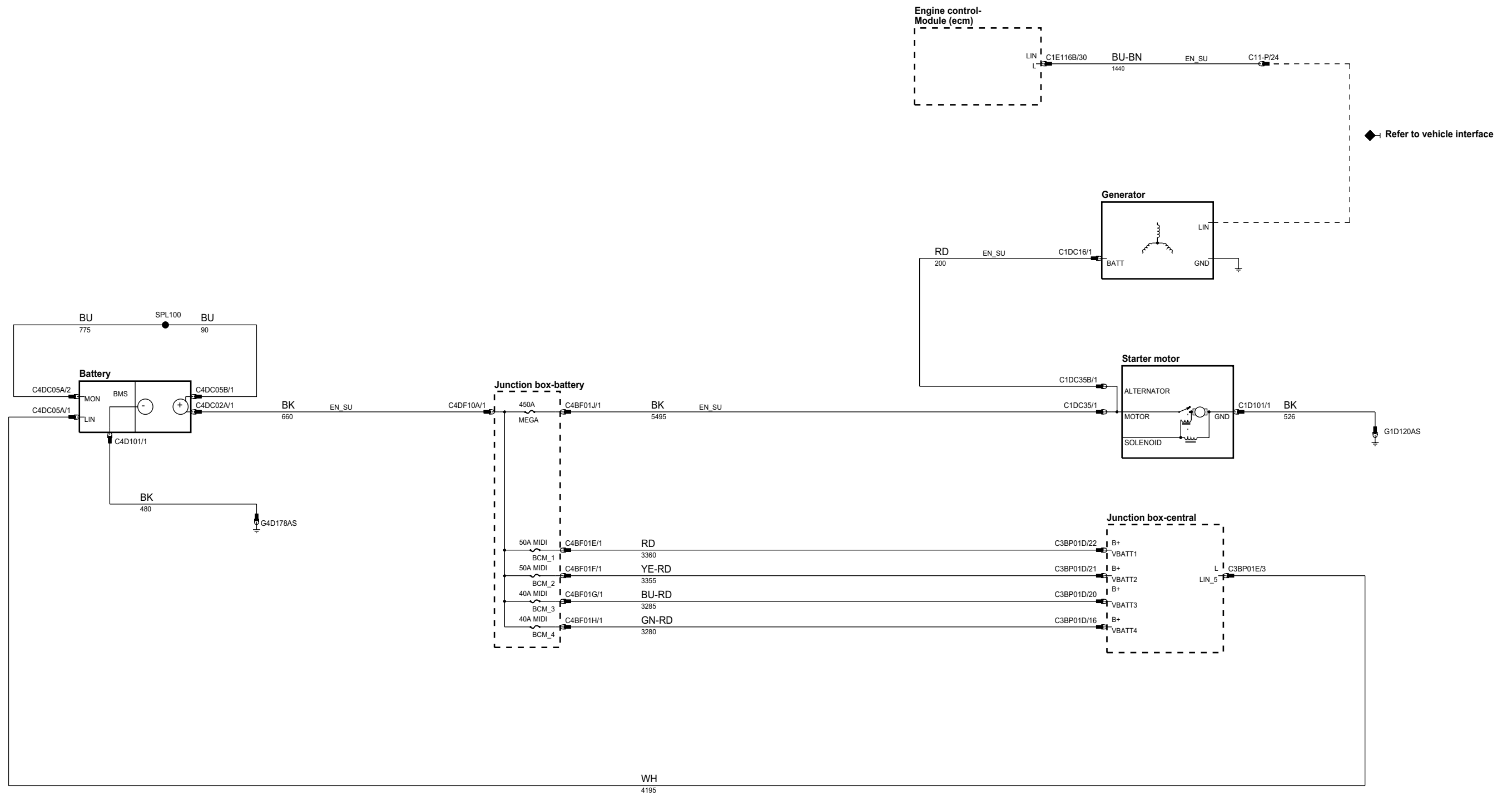
phcw93-70012-h-a3



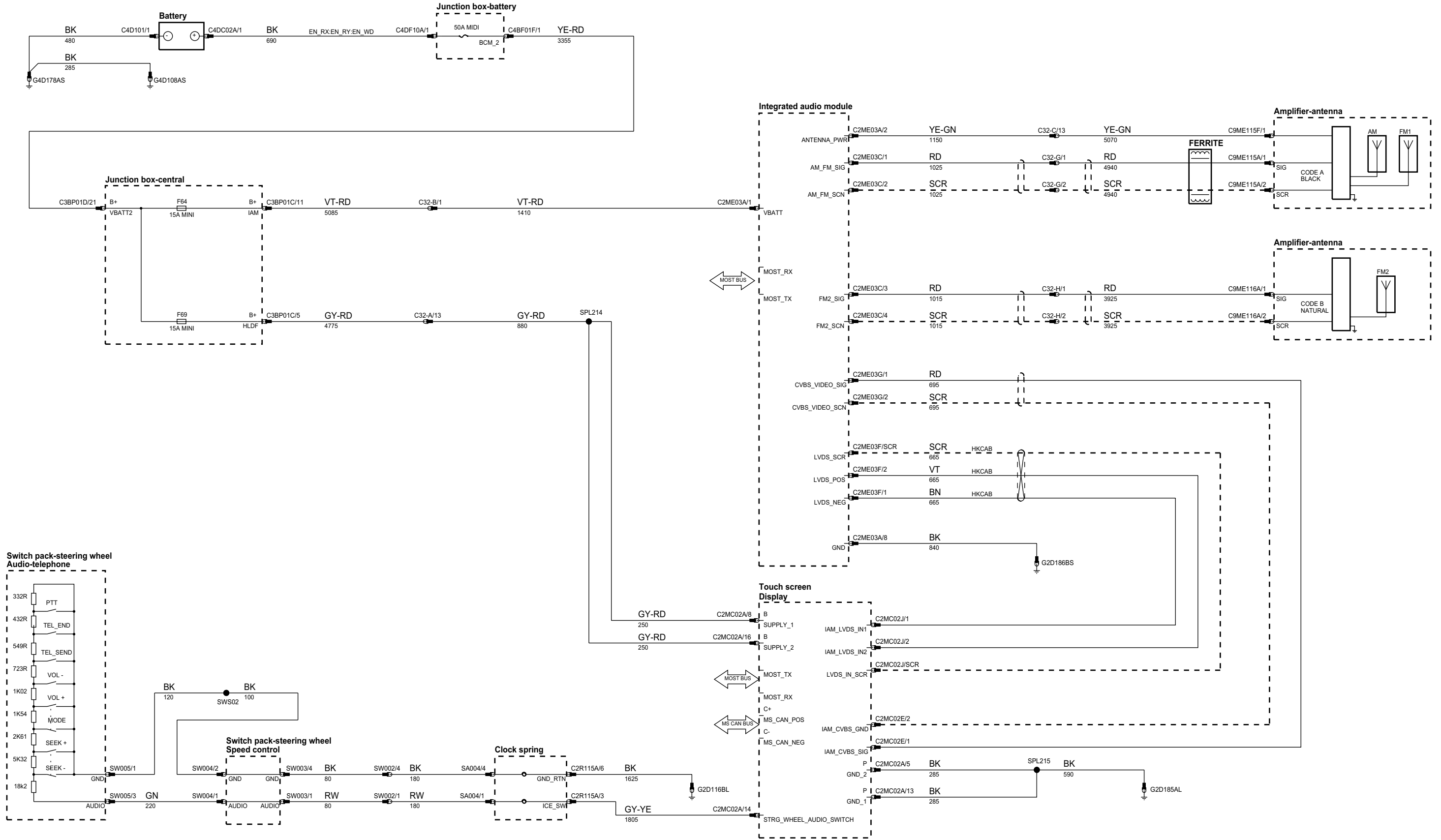
phcw93-70022-a-a3



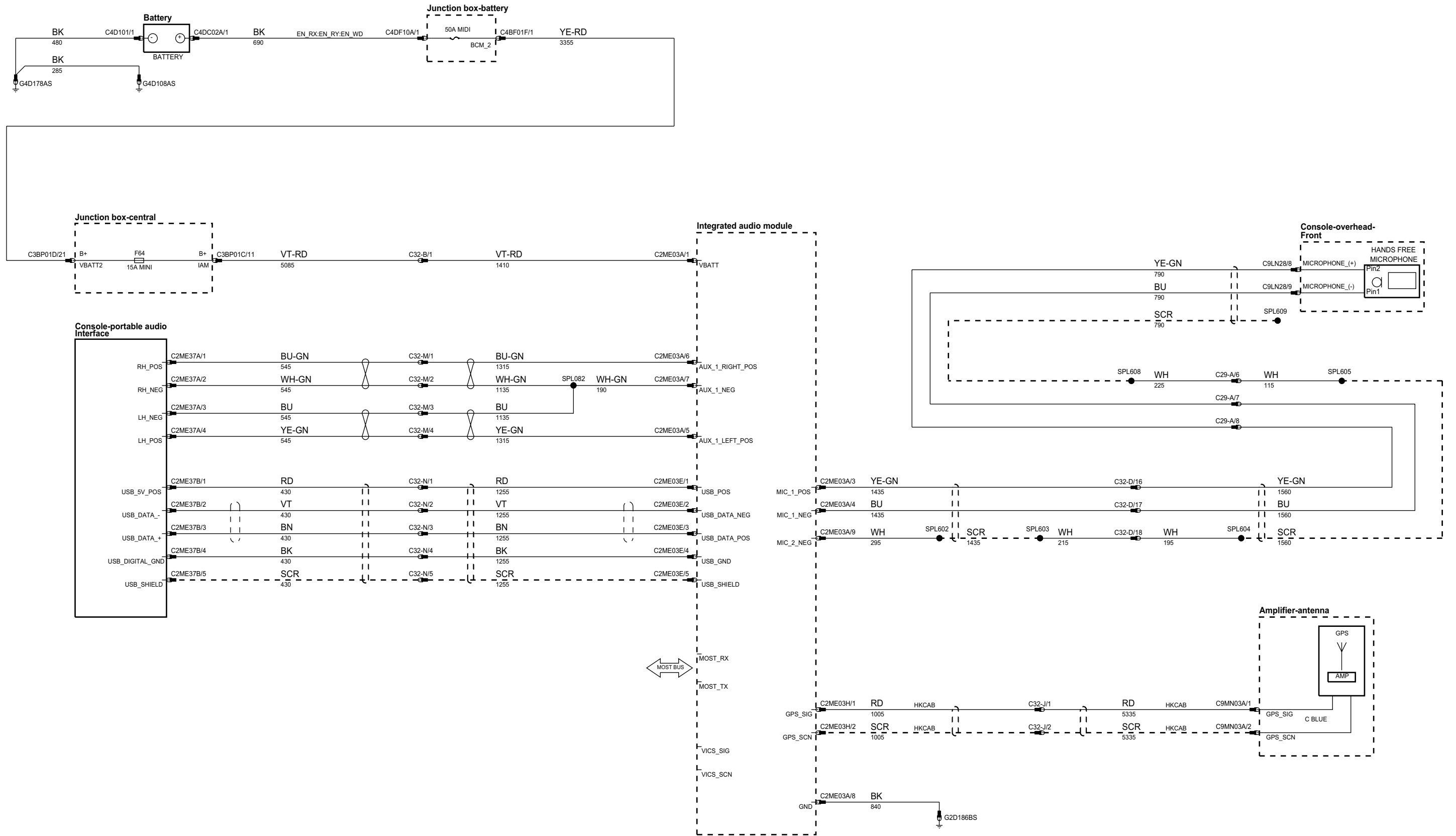
phcw93-70022-d-a3



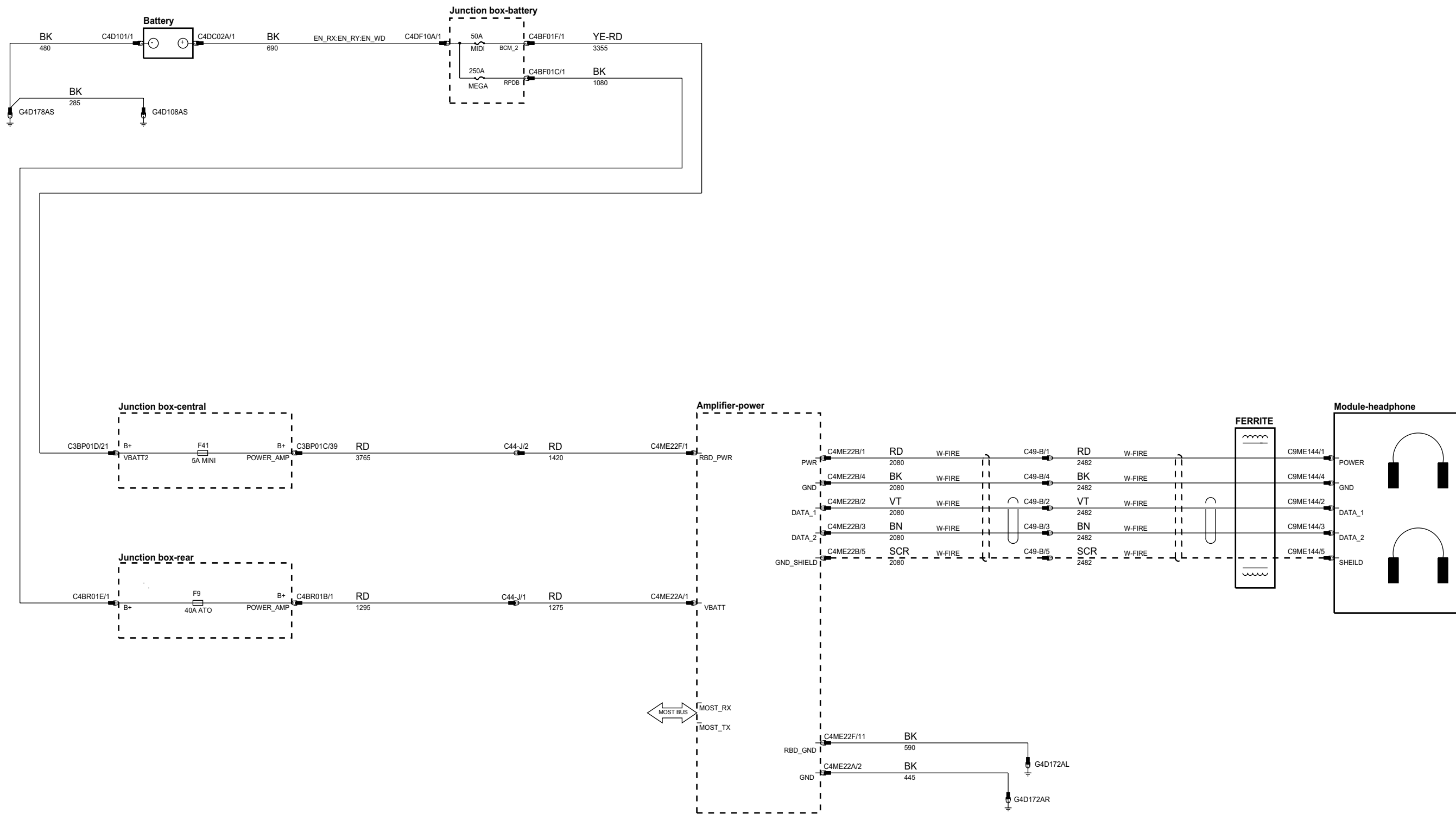
phow93-70441-a-a3



phcw93-70441-b-a3

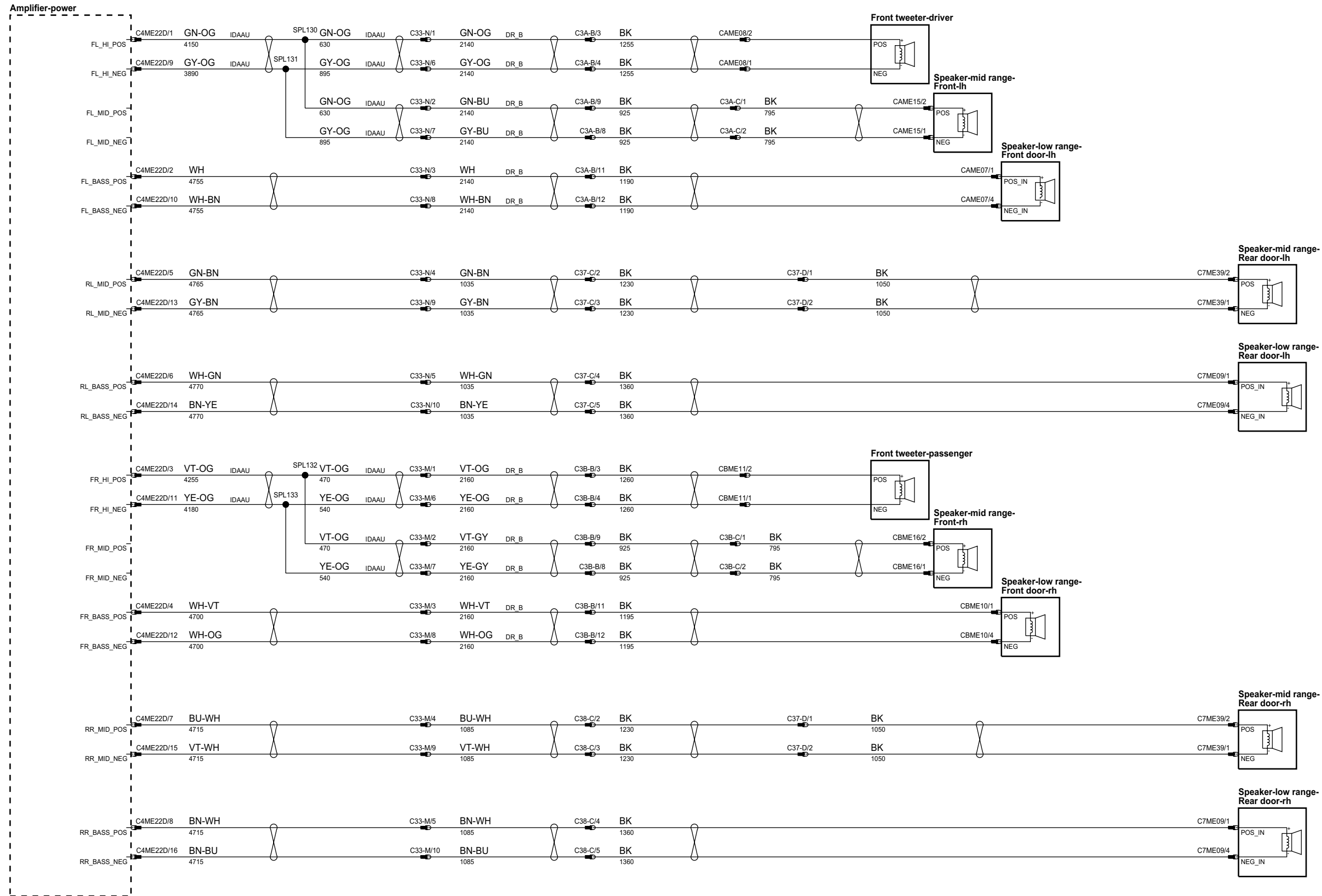


phcw93-70441-c-a3

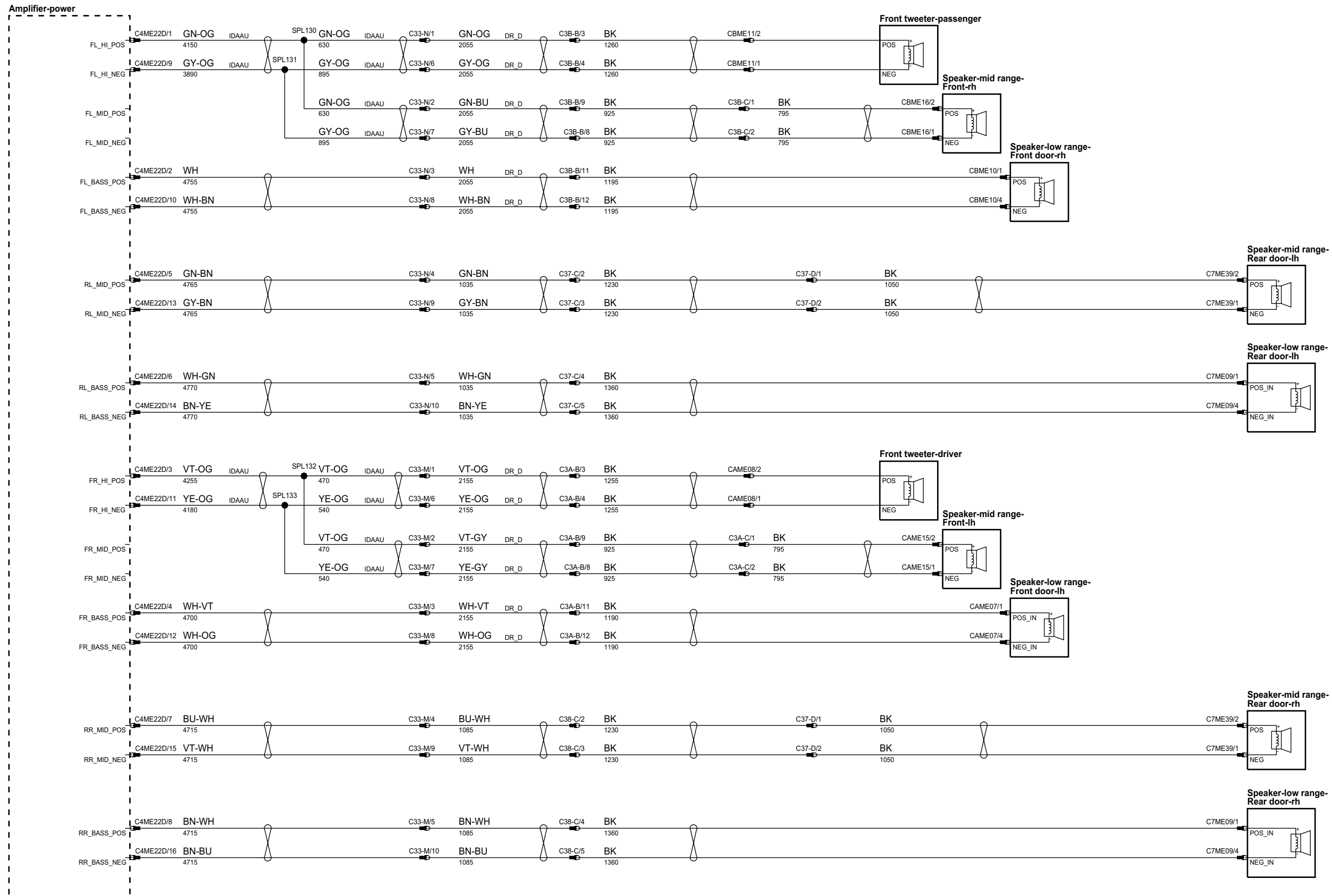


x

phcw93-70441-d-a3

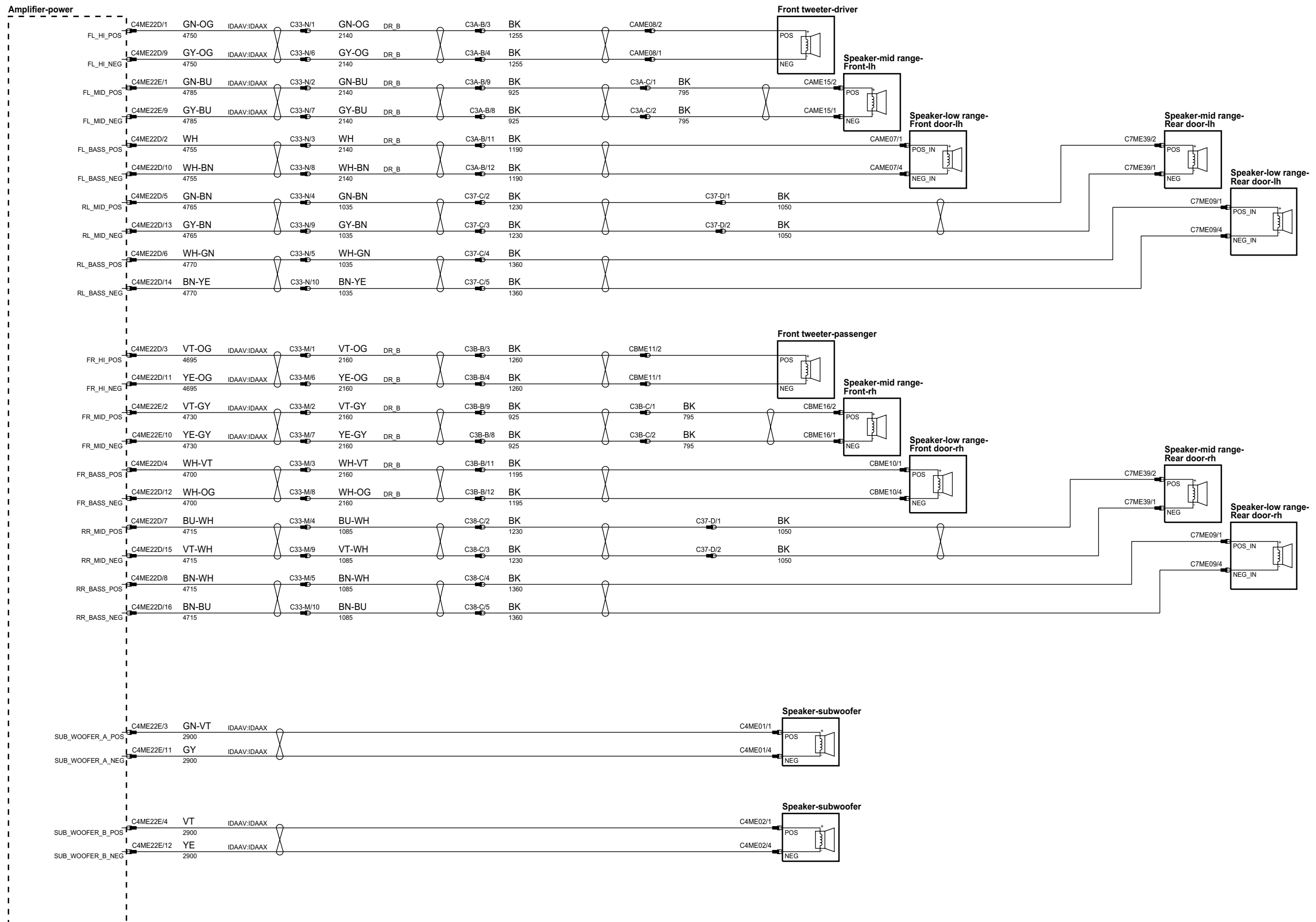


phcw93-70441-e-a3

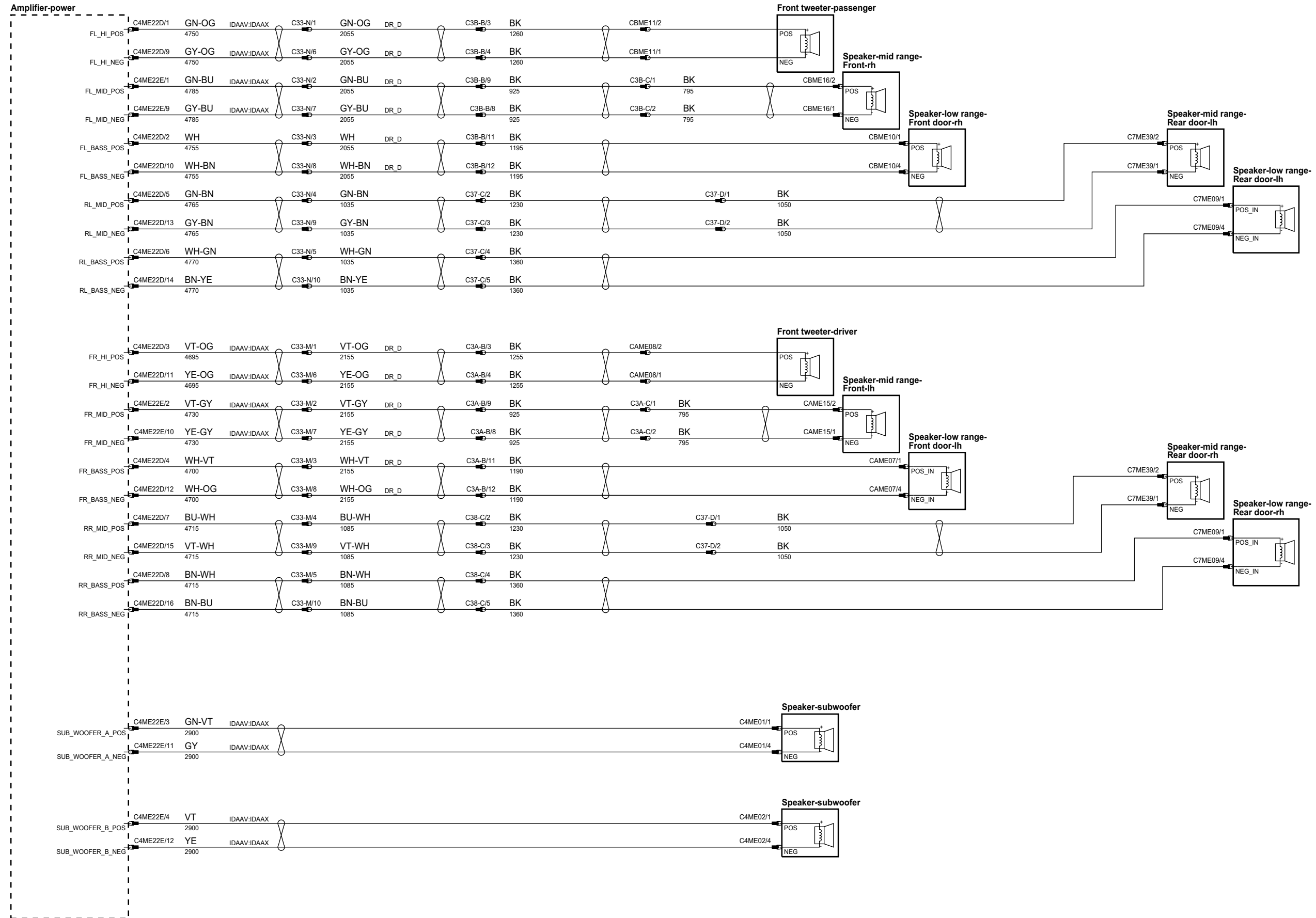




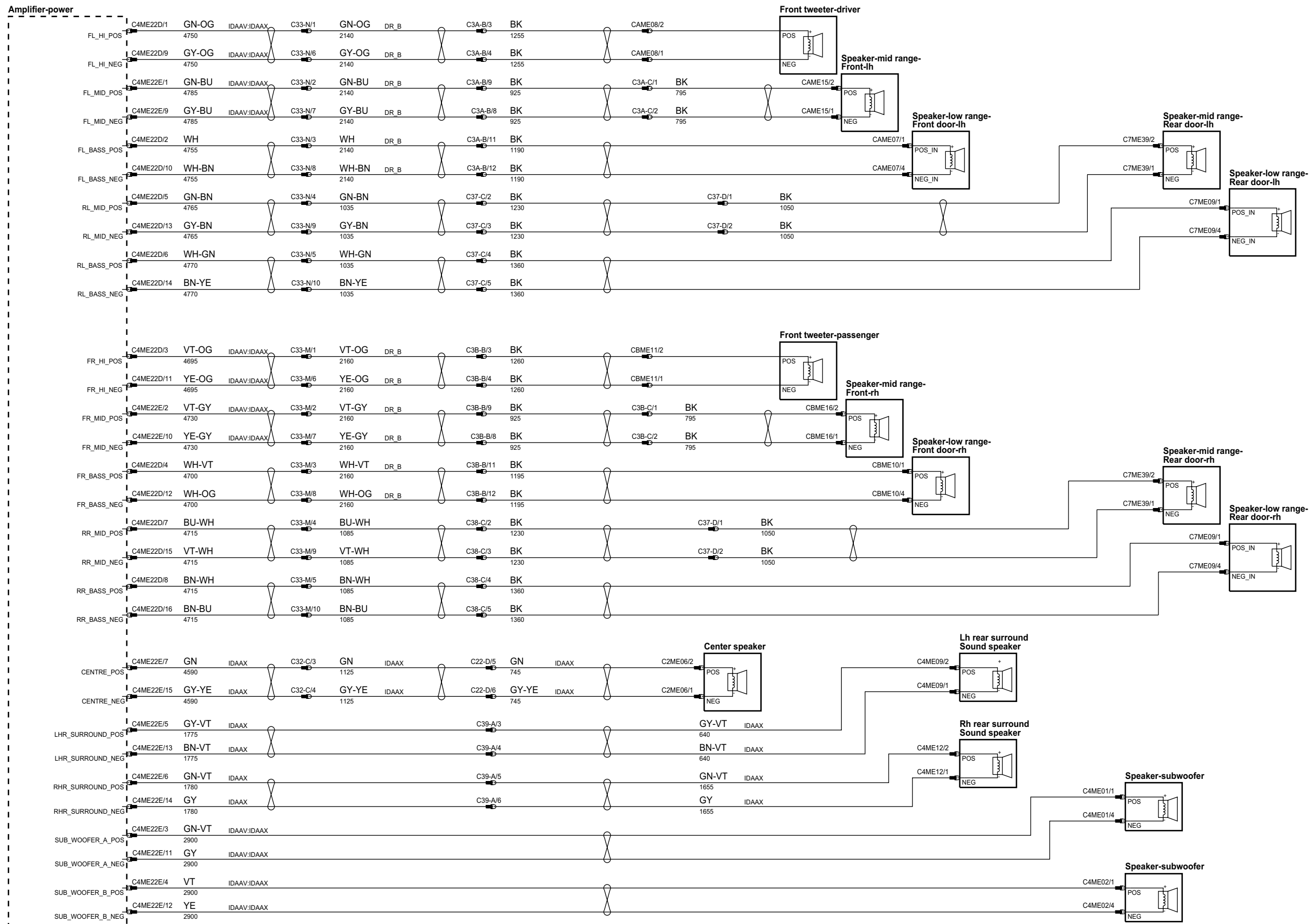
phcw93-70441-f-a3



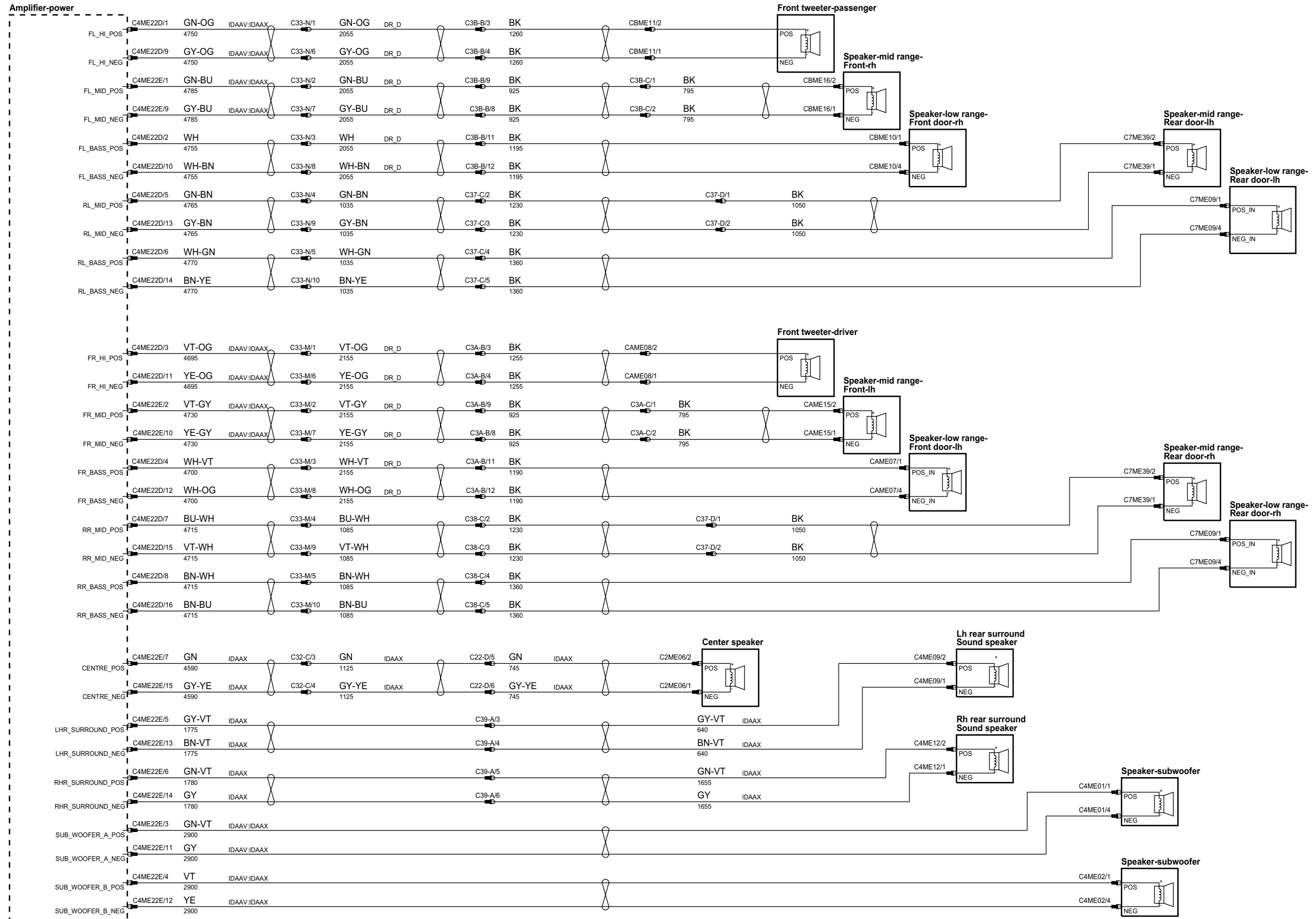
phcw93-70441-g-a3



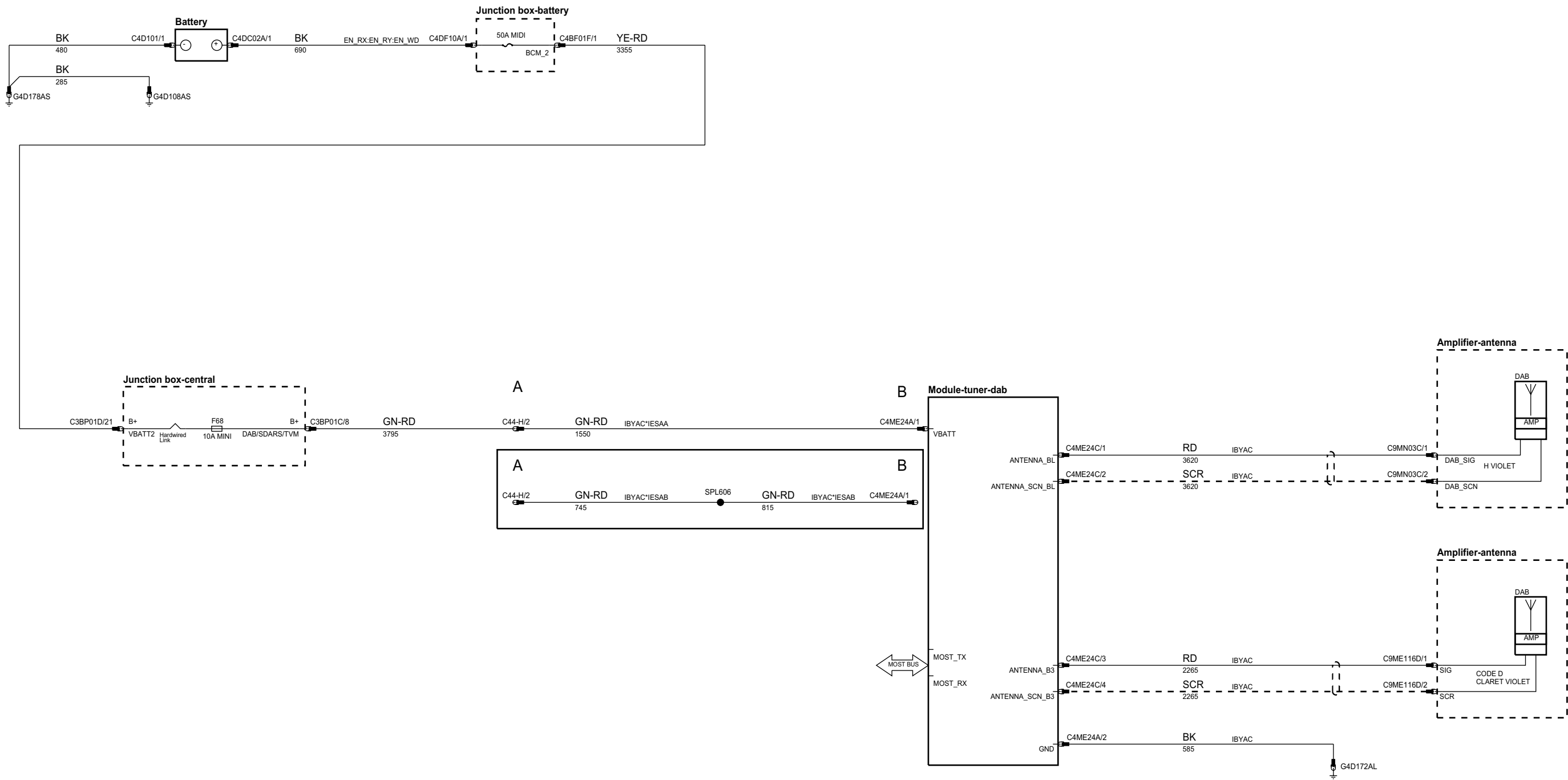
phcw93-70441-h-a3



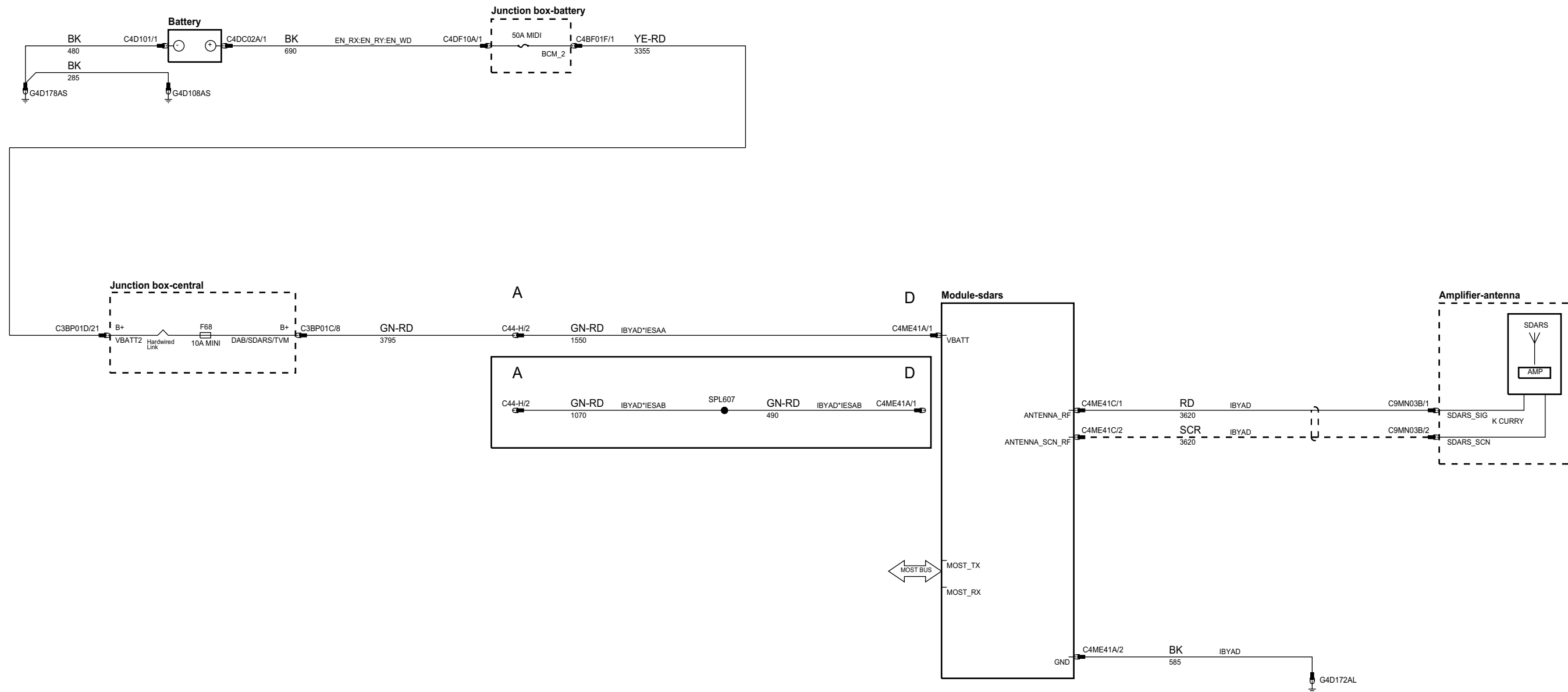
phcw93-70441-j-a3



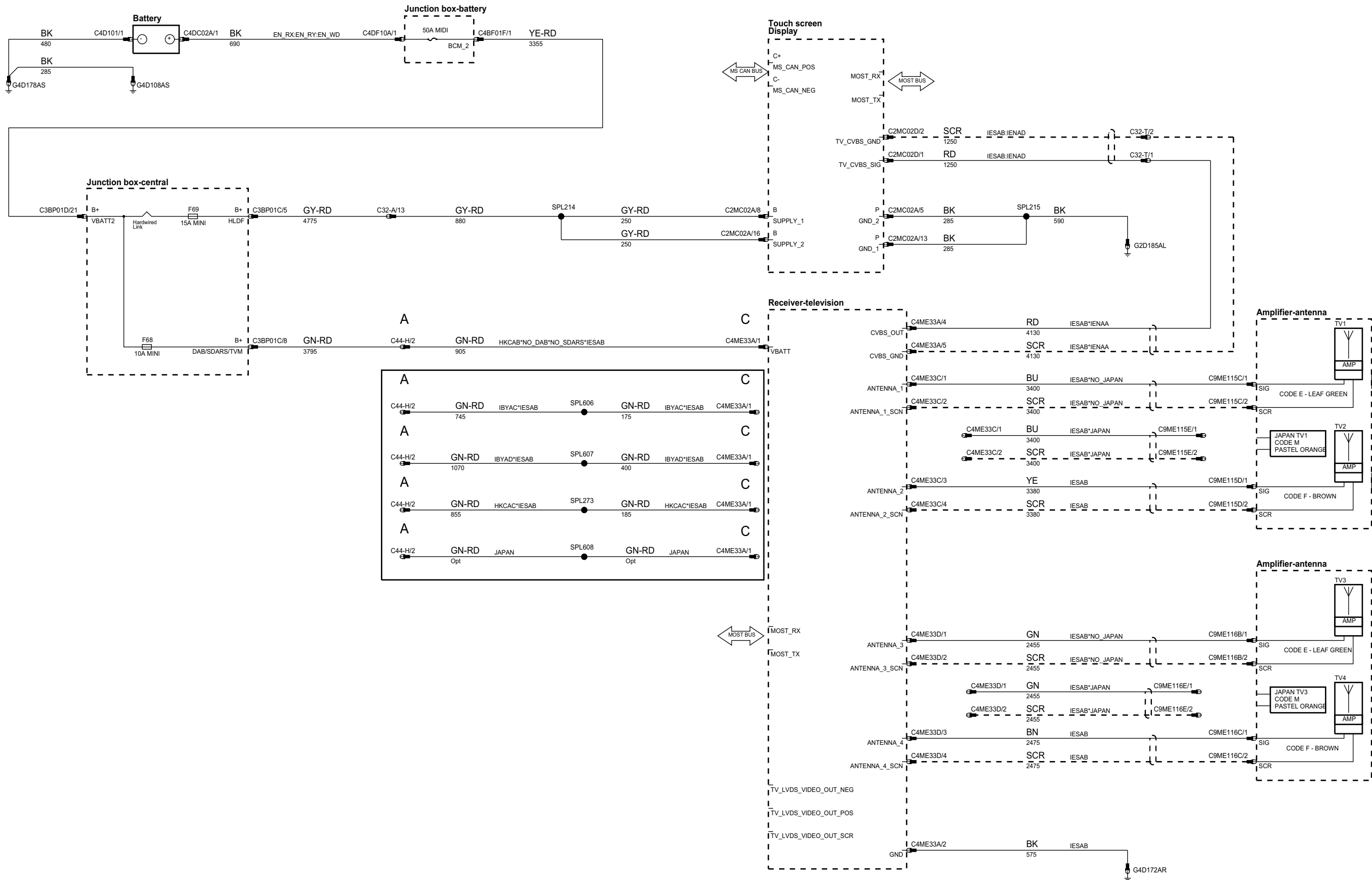
phcw93-70447-a-a3



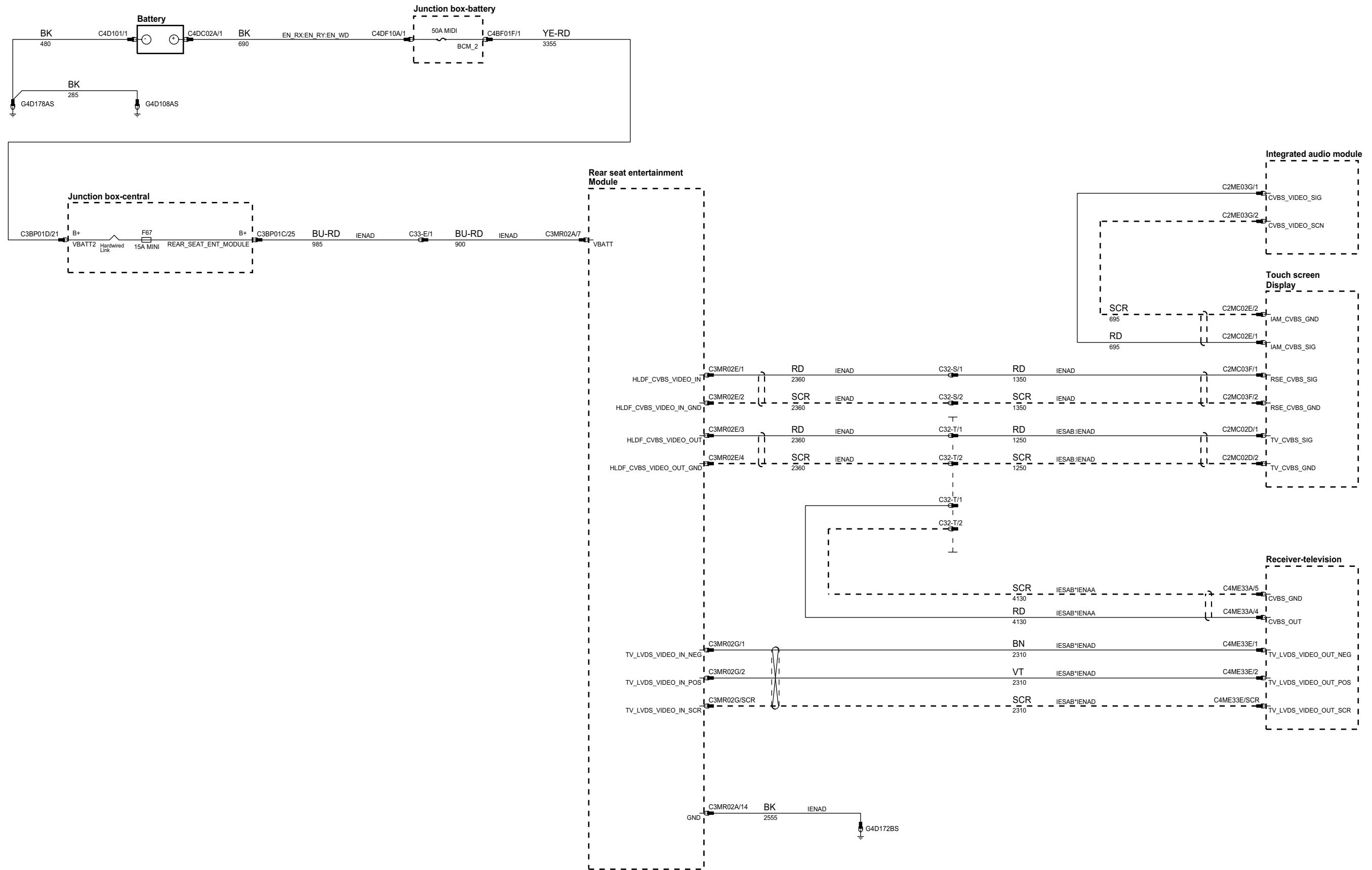
phcw93-70447-b-a3



phcw93-70456-a-a3

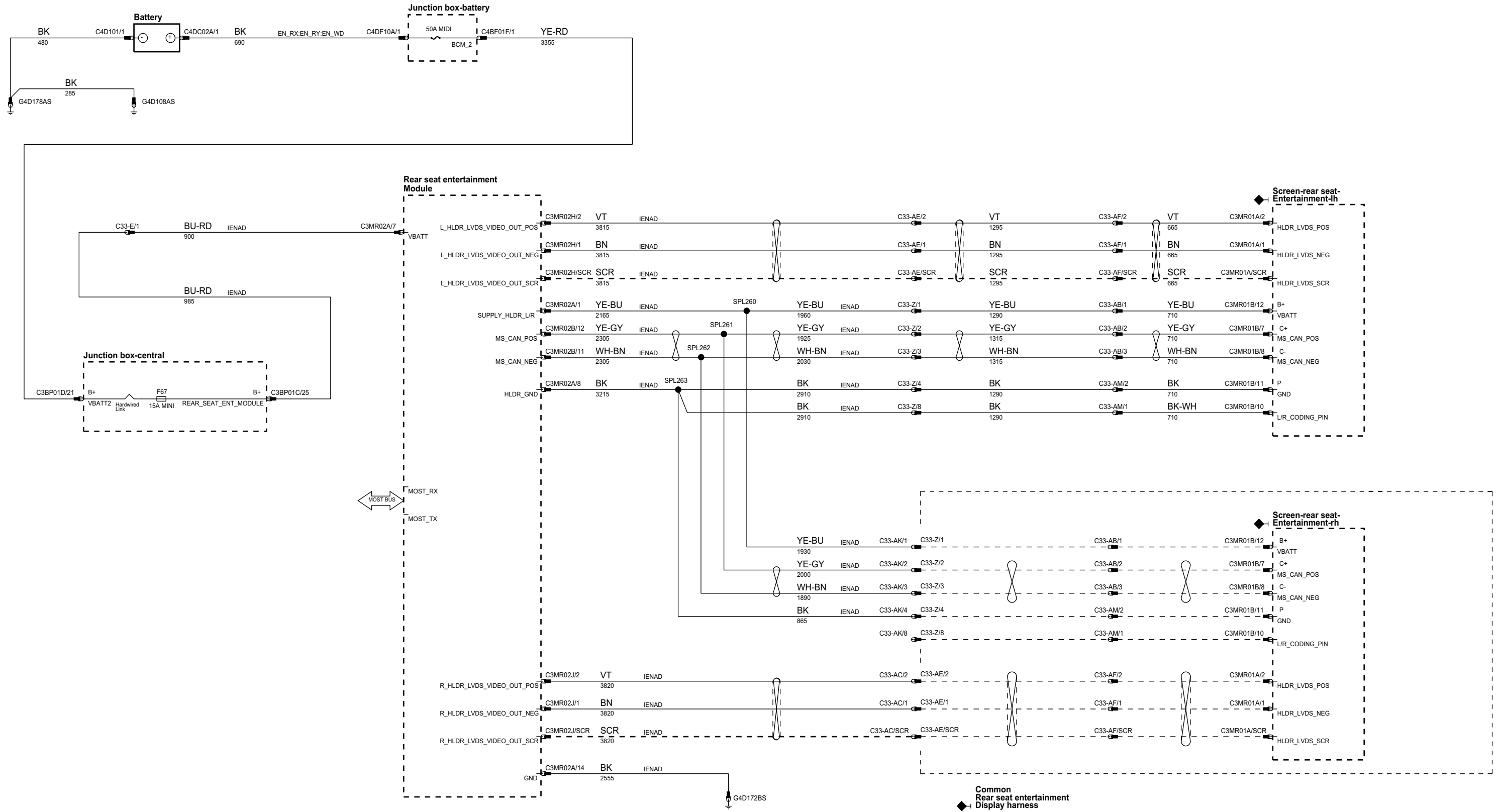


phcw93-70455-a-a3

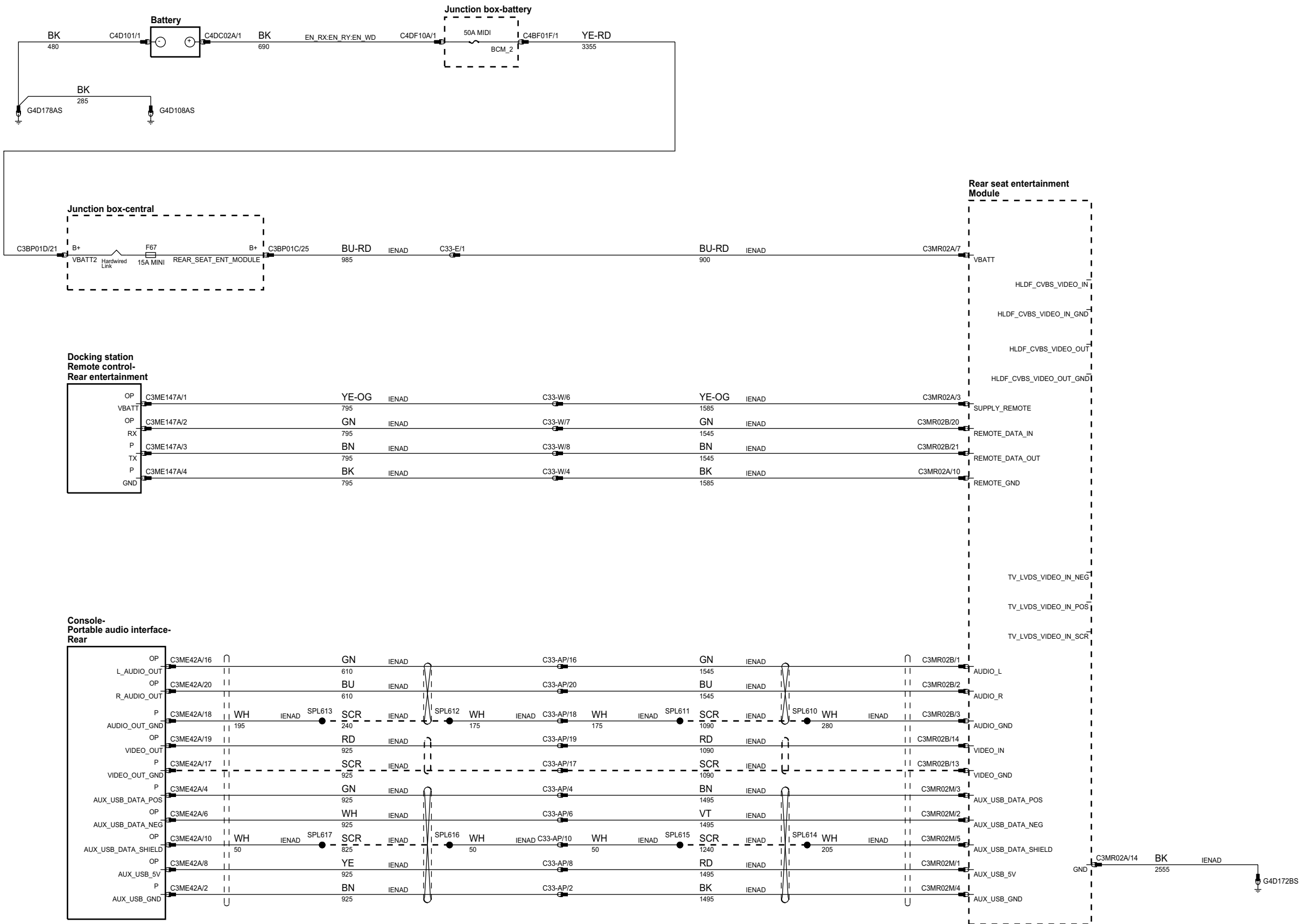




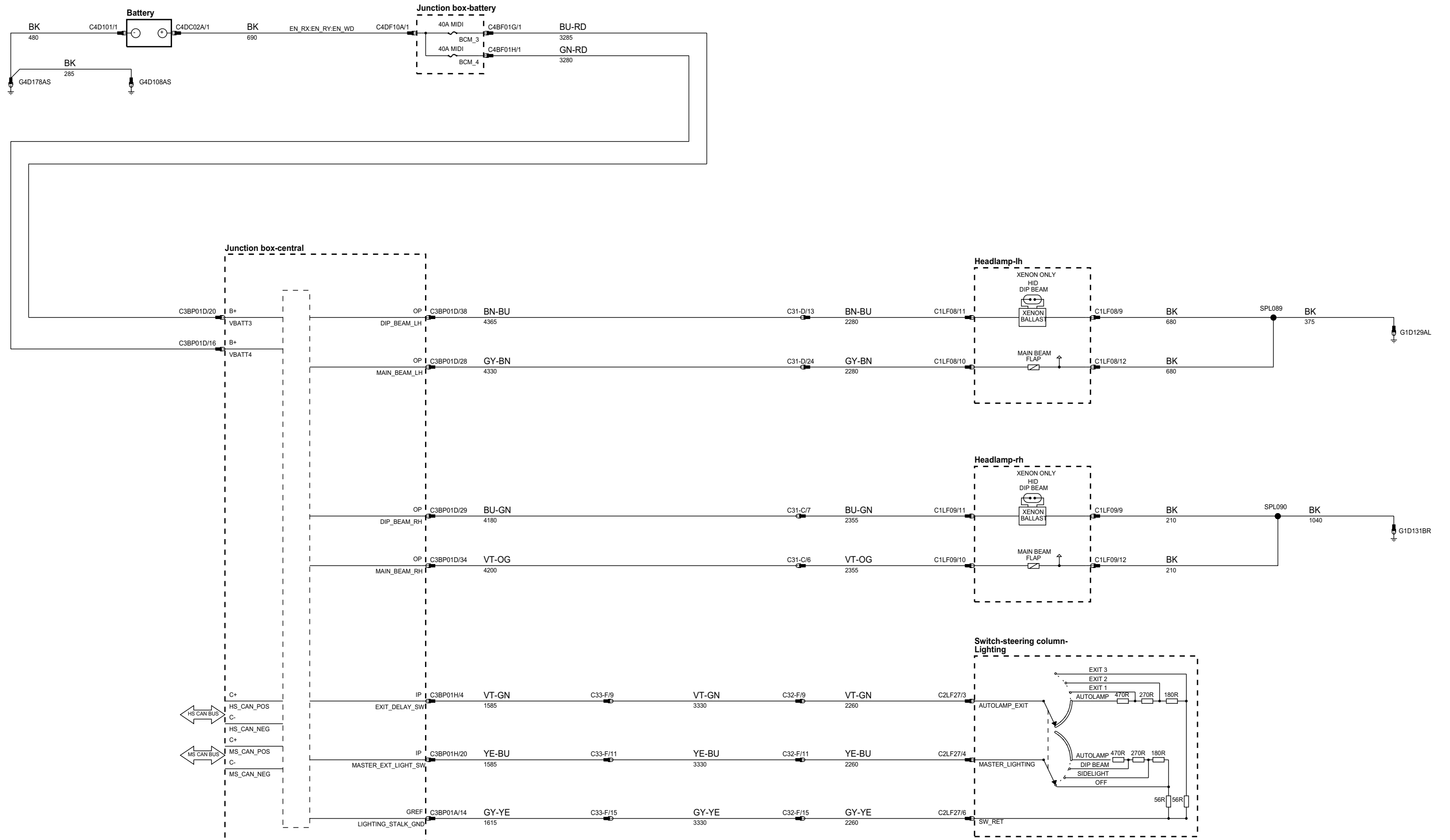
phcw93-70455-b-a3



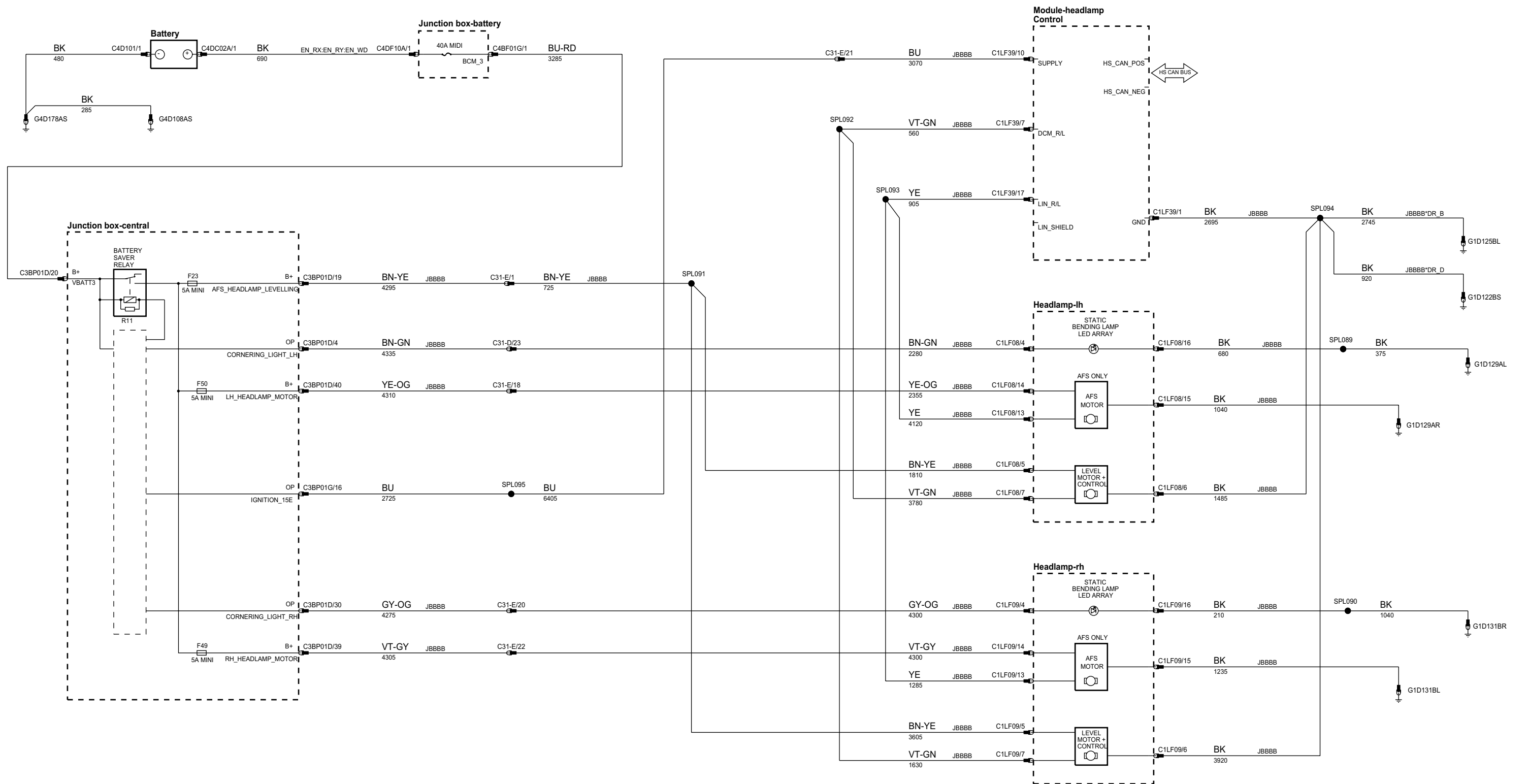
phcw93-70455-c-a3



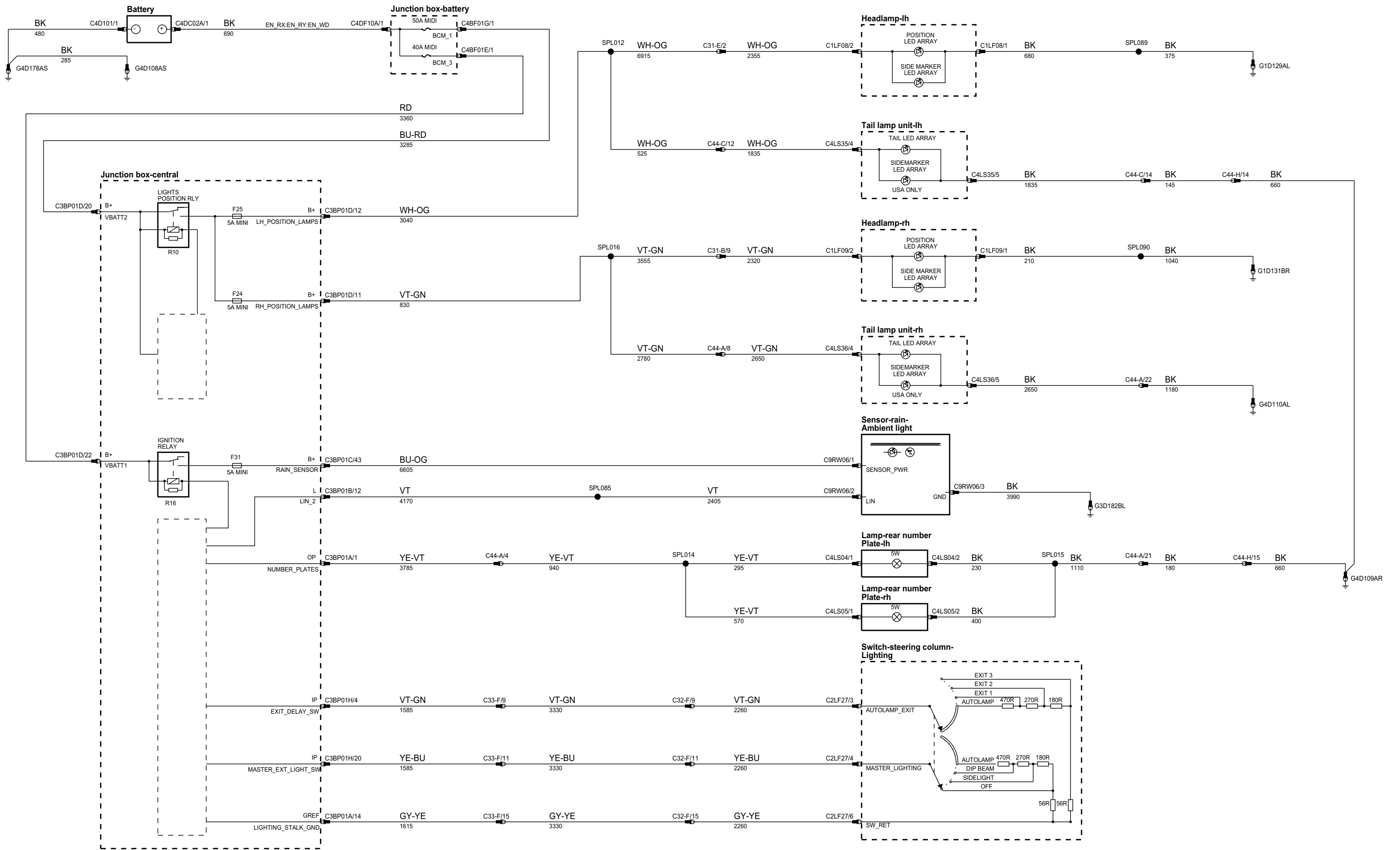
phcw93-70061-a-a3



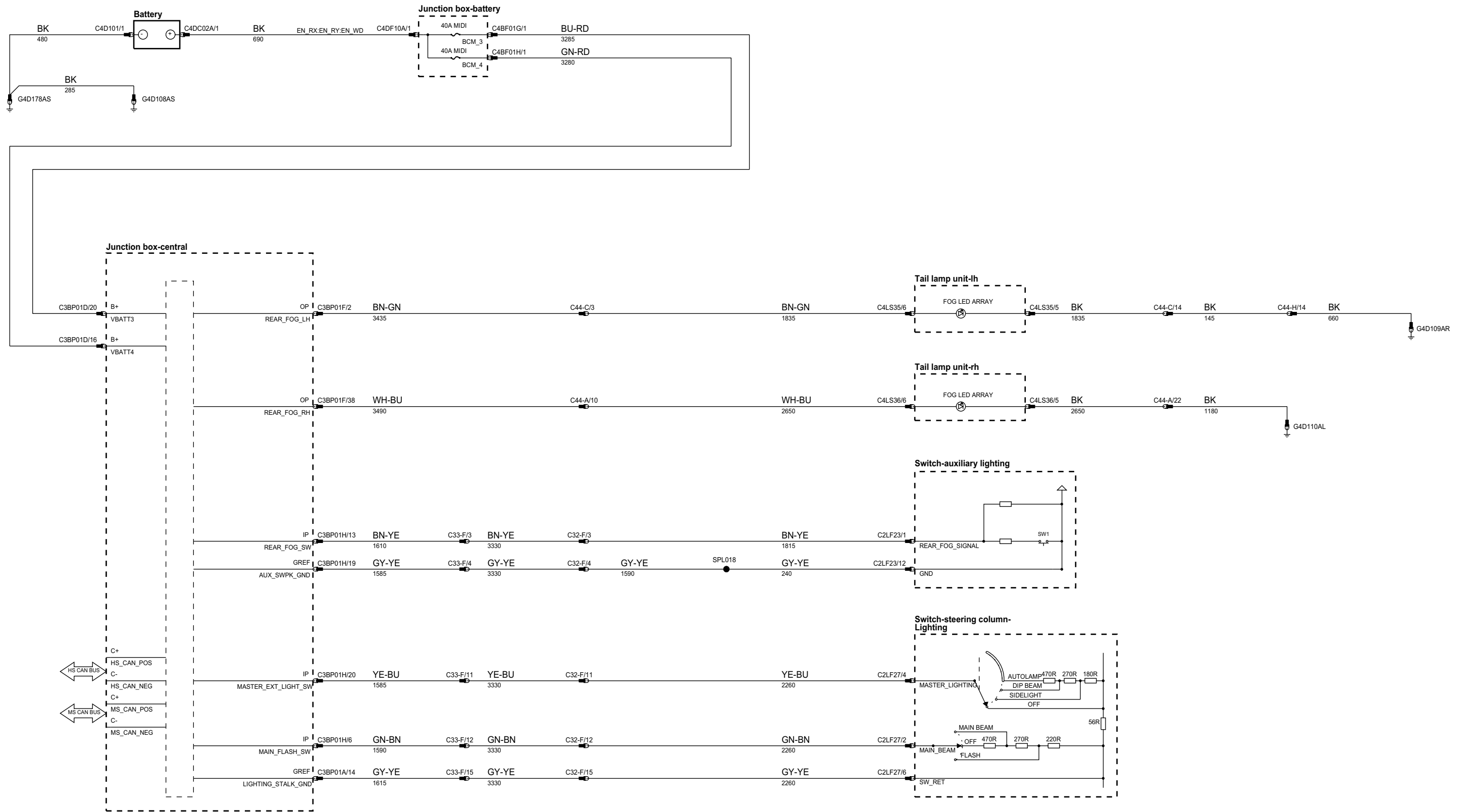
phcw93-70061-b-a3



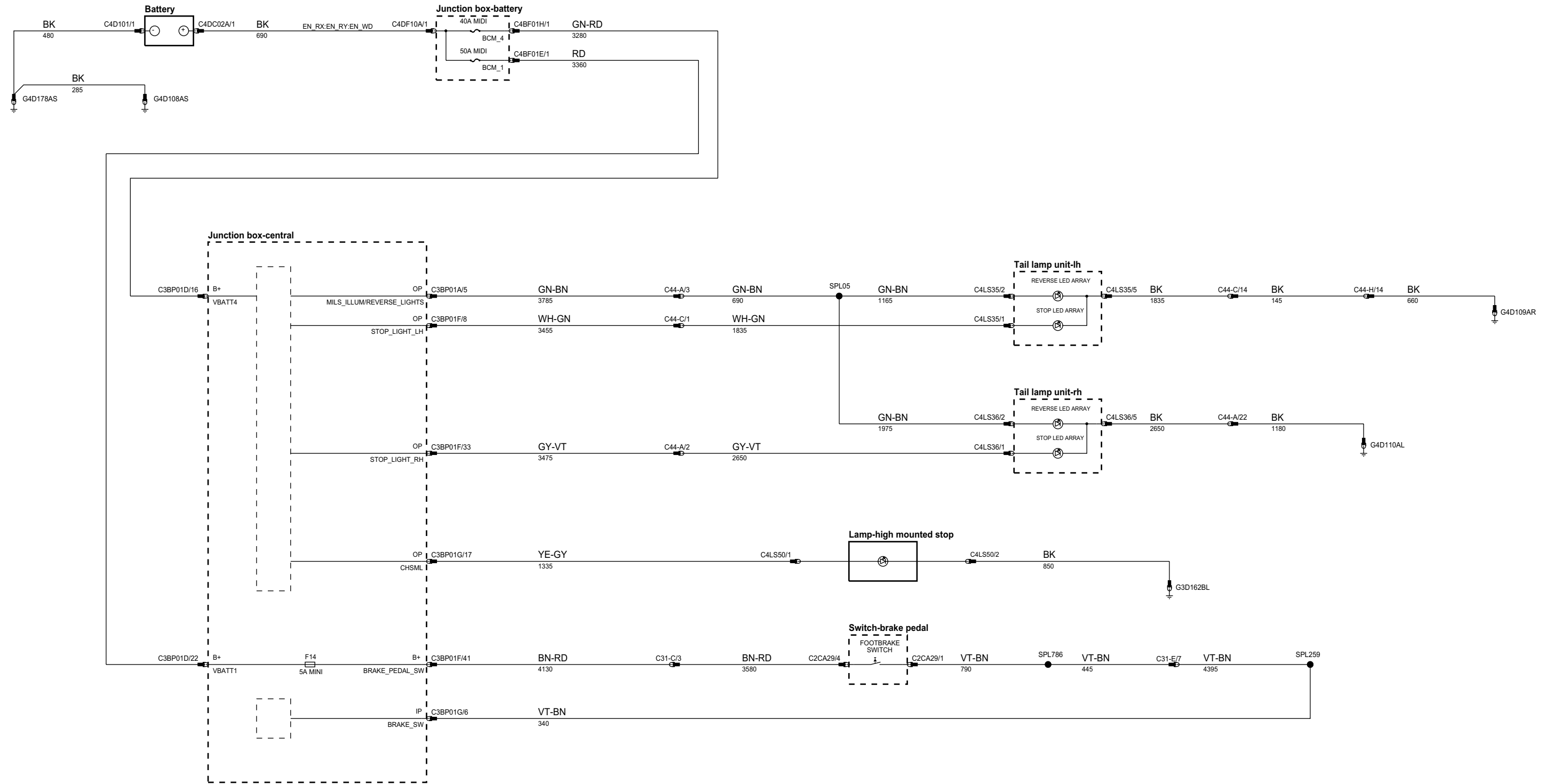
phcw93-70086-a-a3



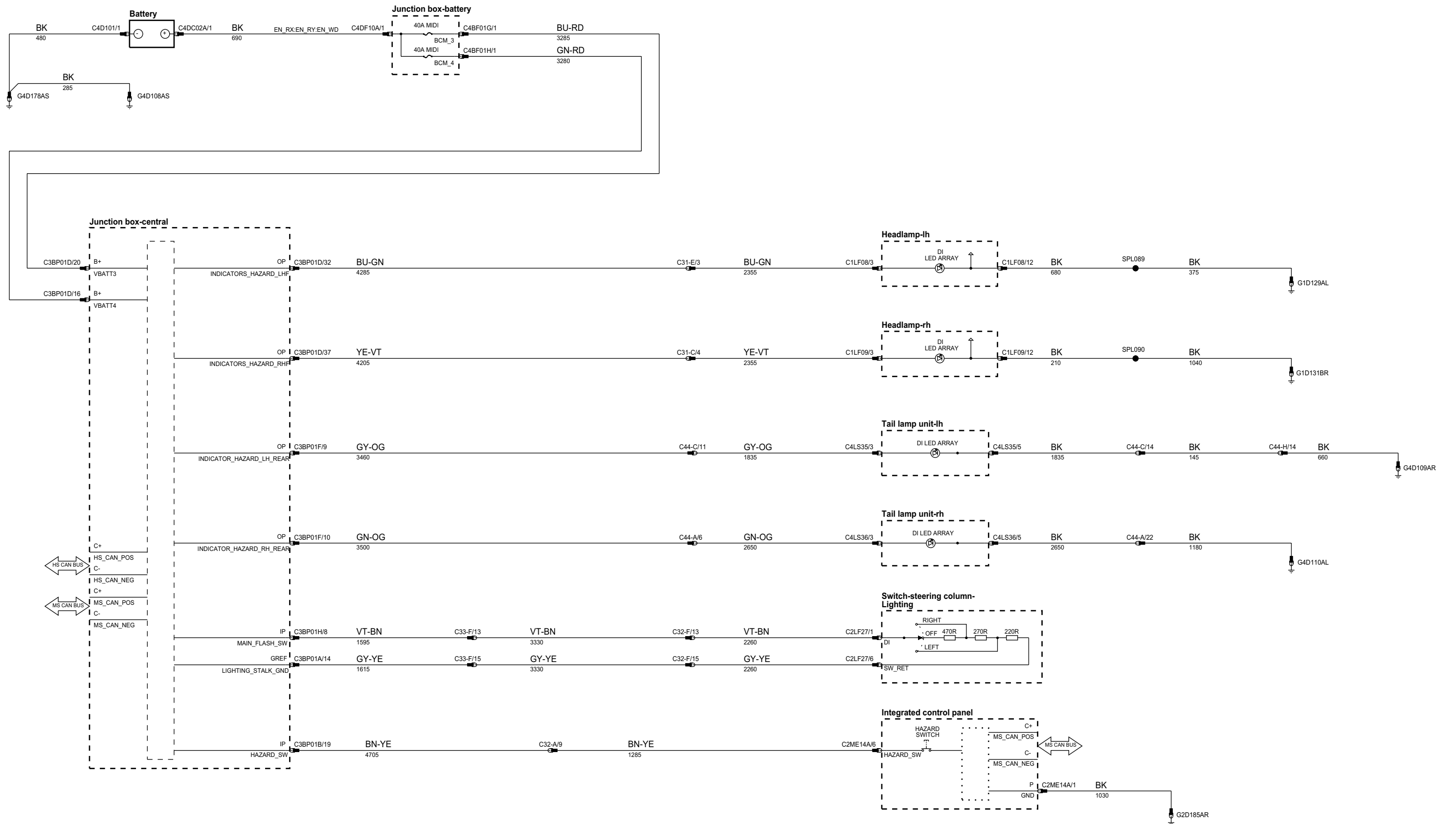
phcw93-70072-a-a3



phcw93-70075-a-a3

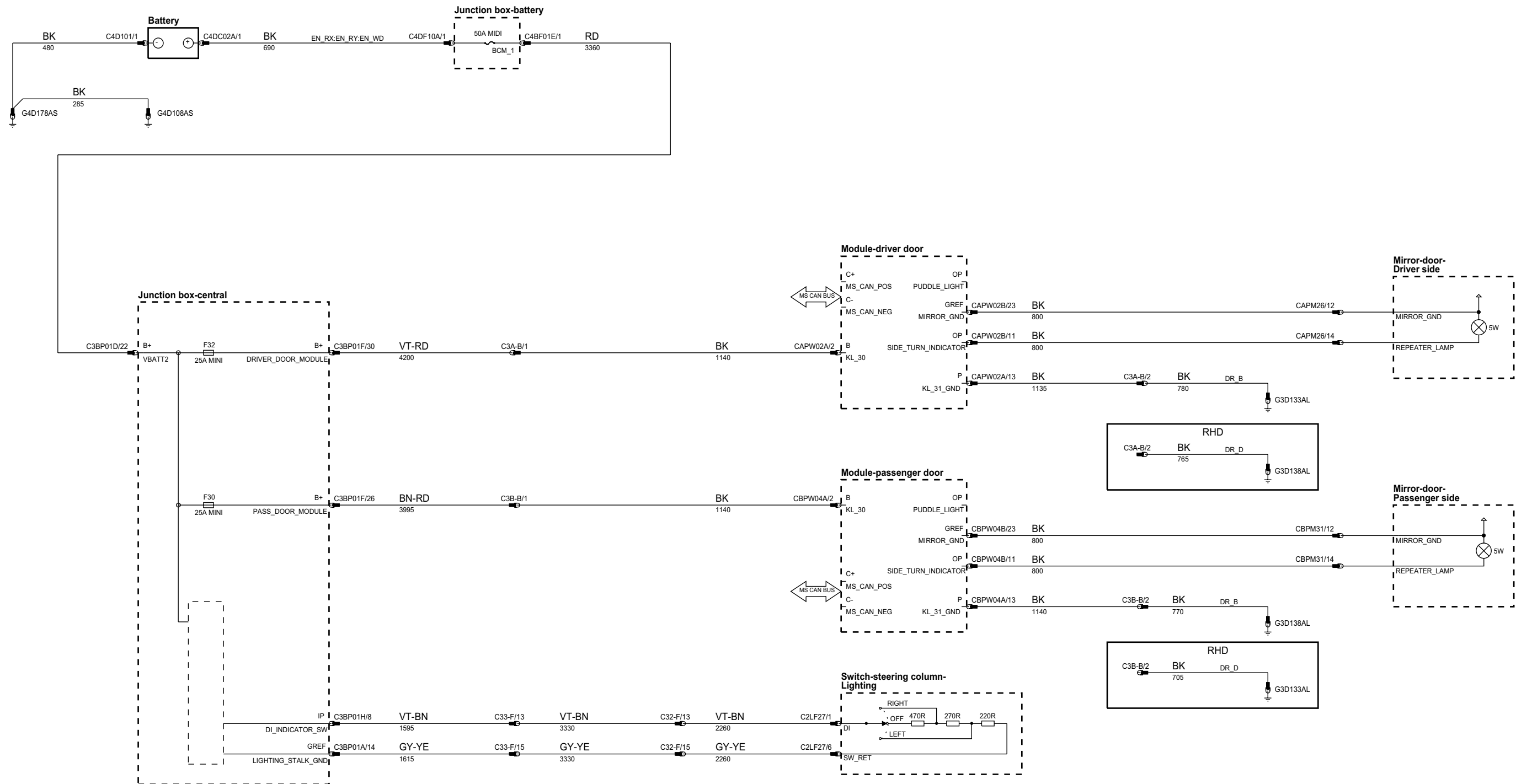


phcw93-70078-a-a3

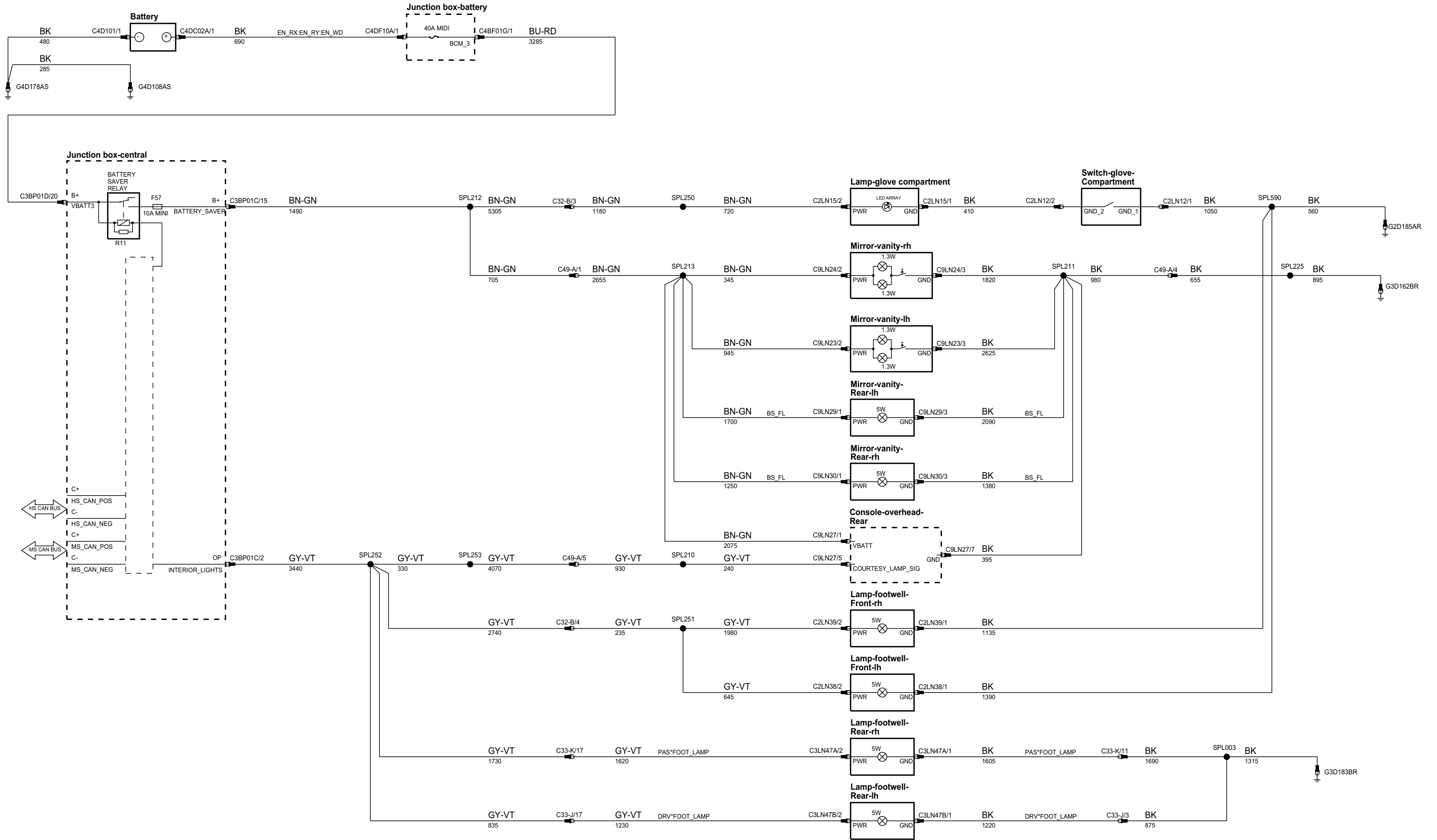




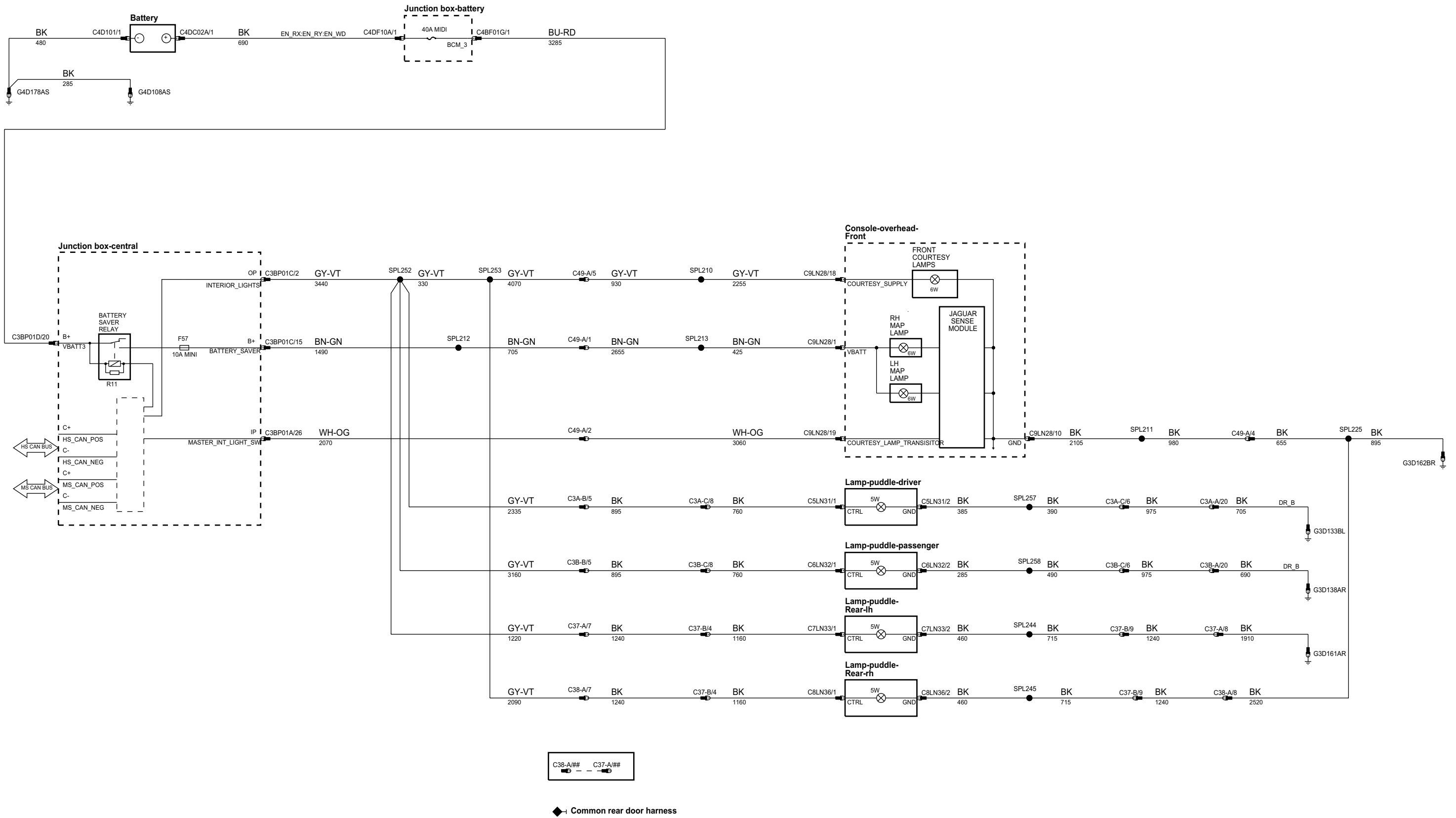
phcw93-70080-a-a3



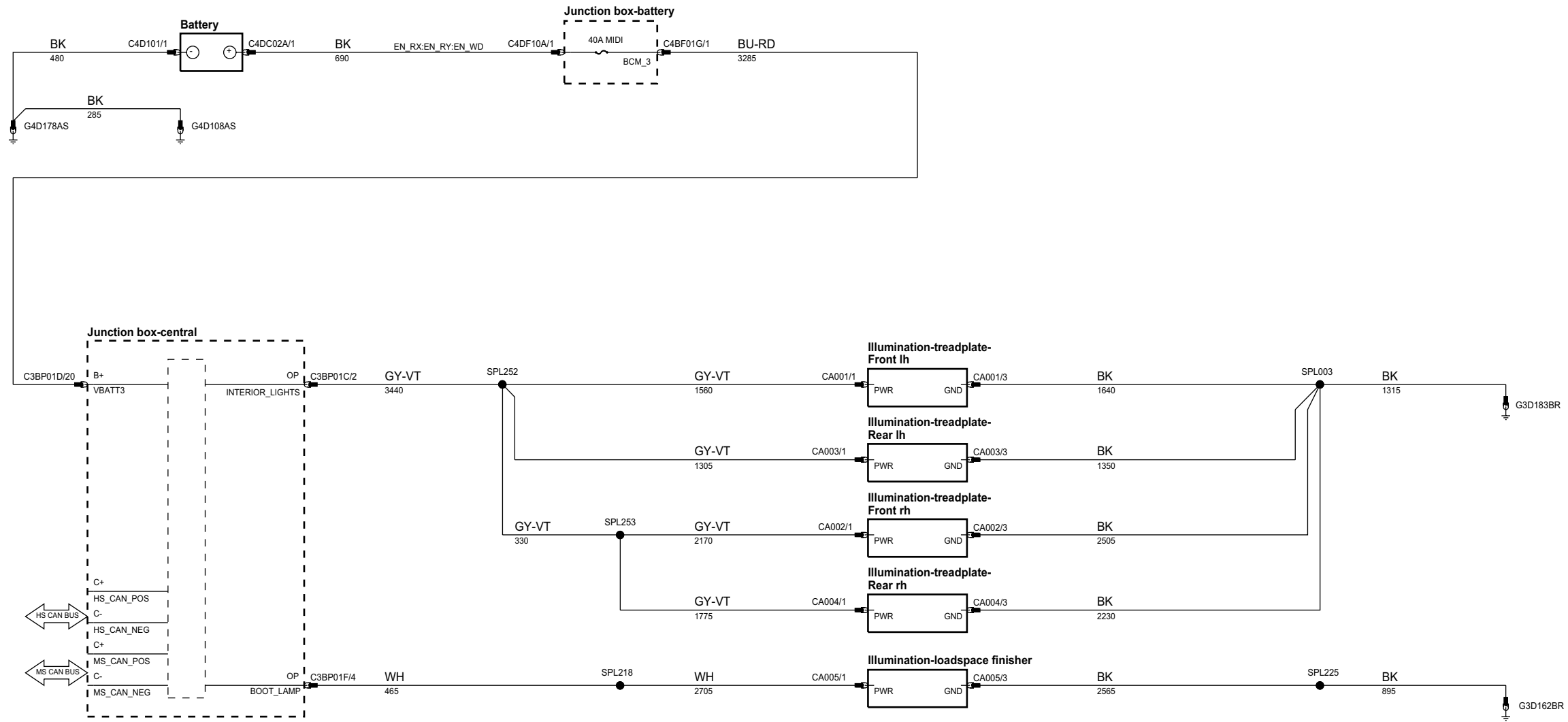
phcw93-70101-a-a3



phcw93-70101-b-a3

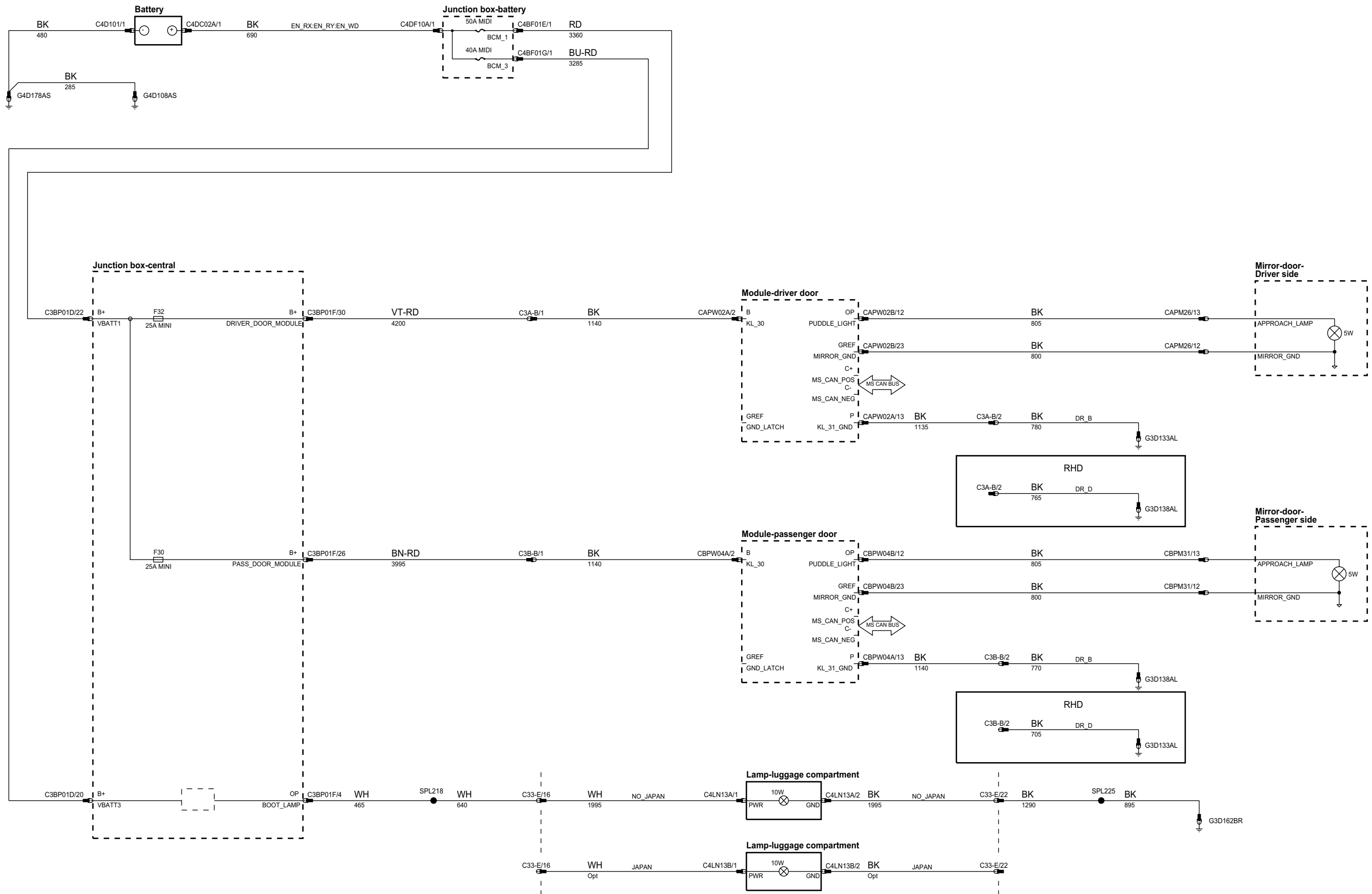


phcw93-70101-c-a3

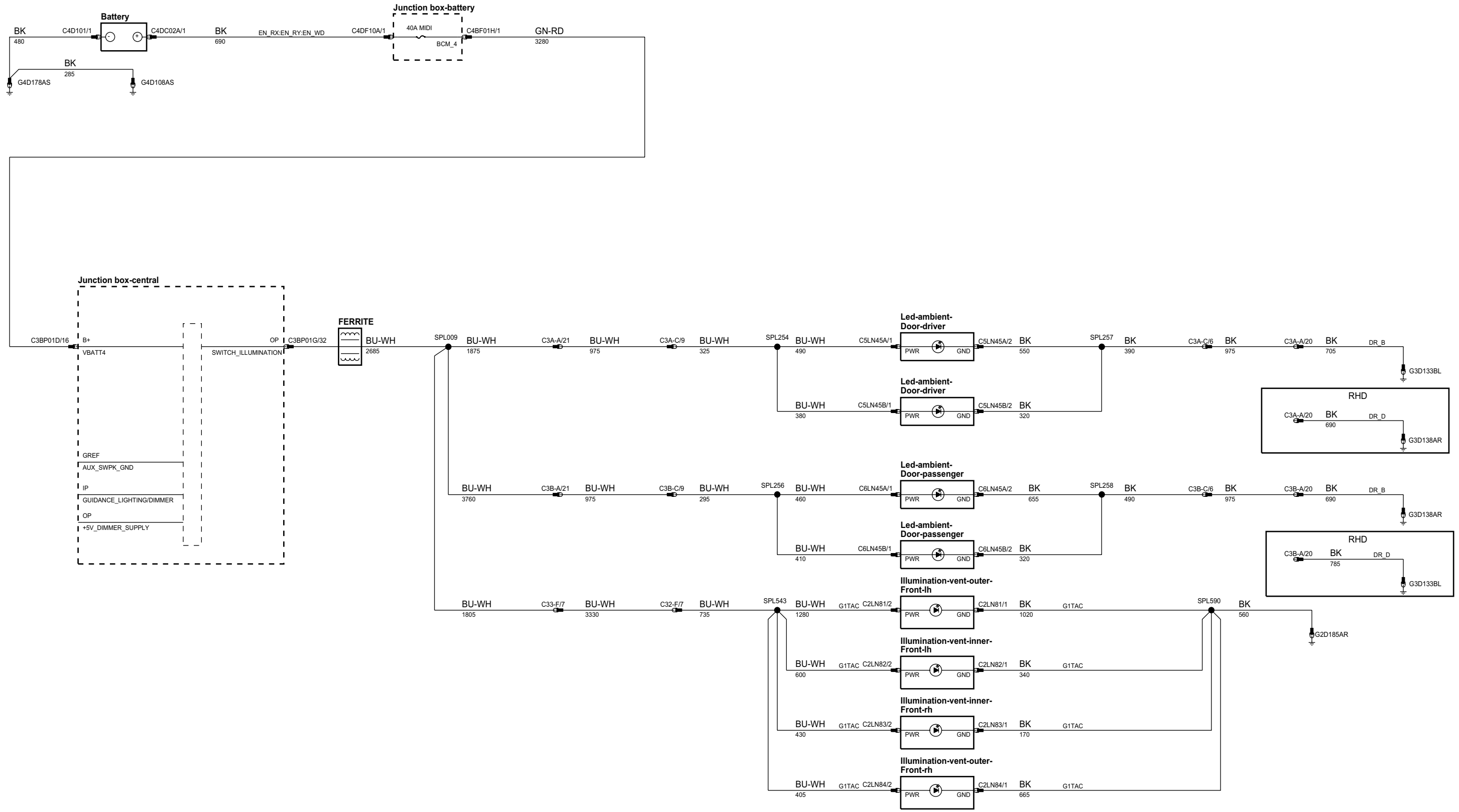


x

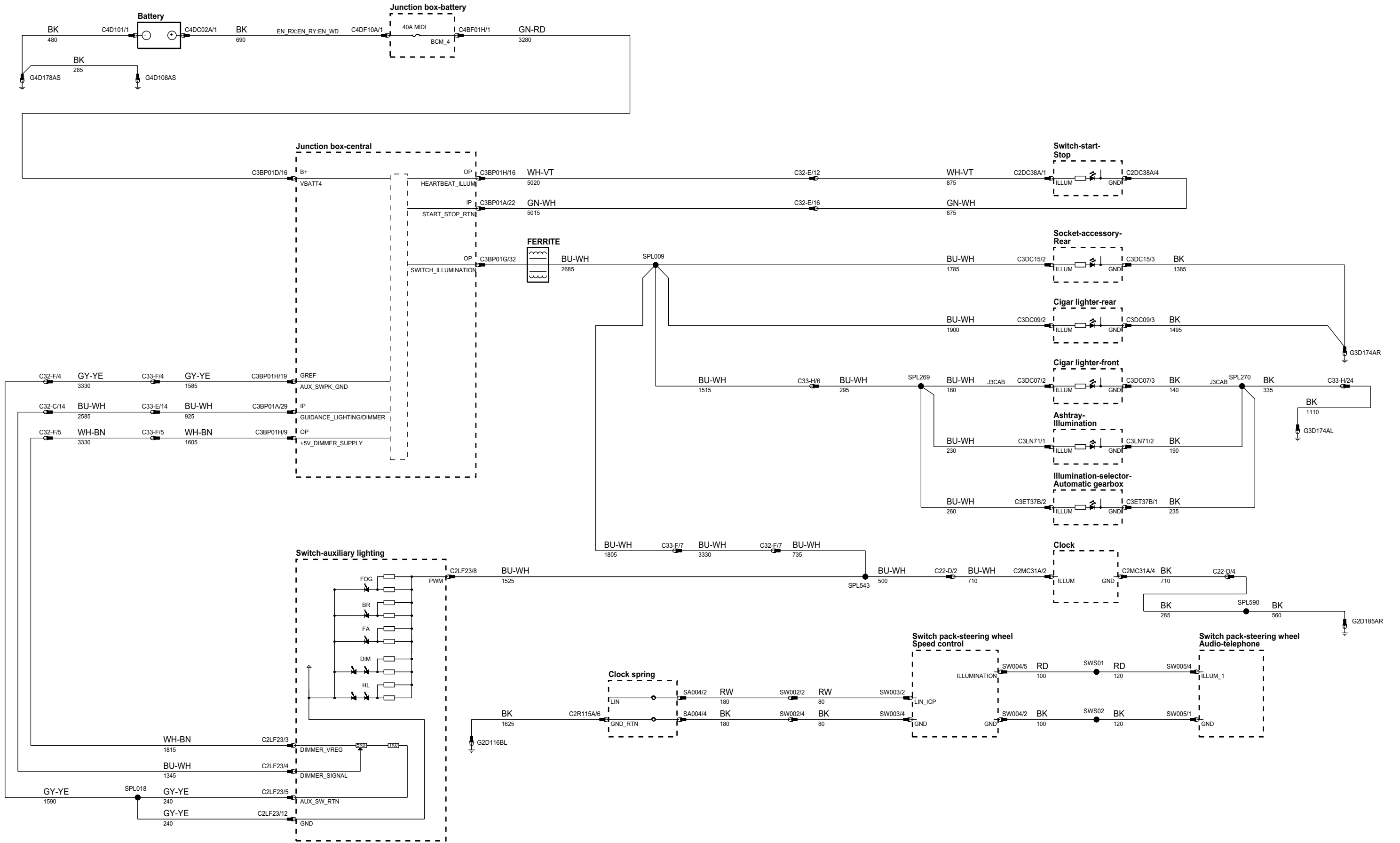
phcw93-70104-a-a3



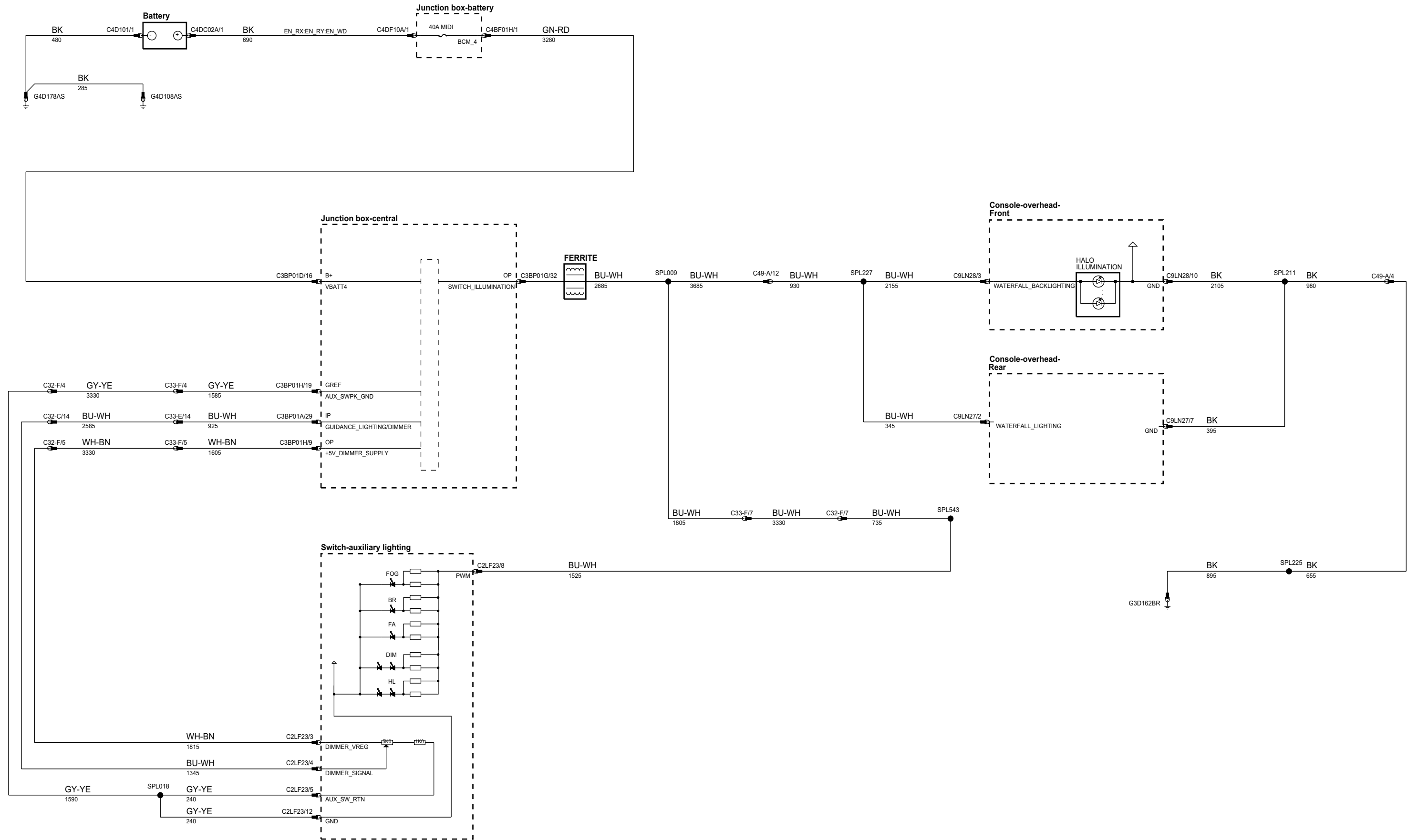
phcw93-70106-a-a3



phcw93-70123-a-a3

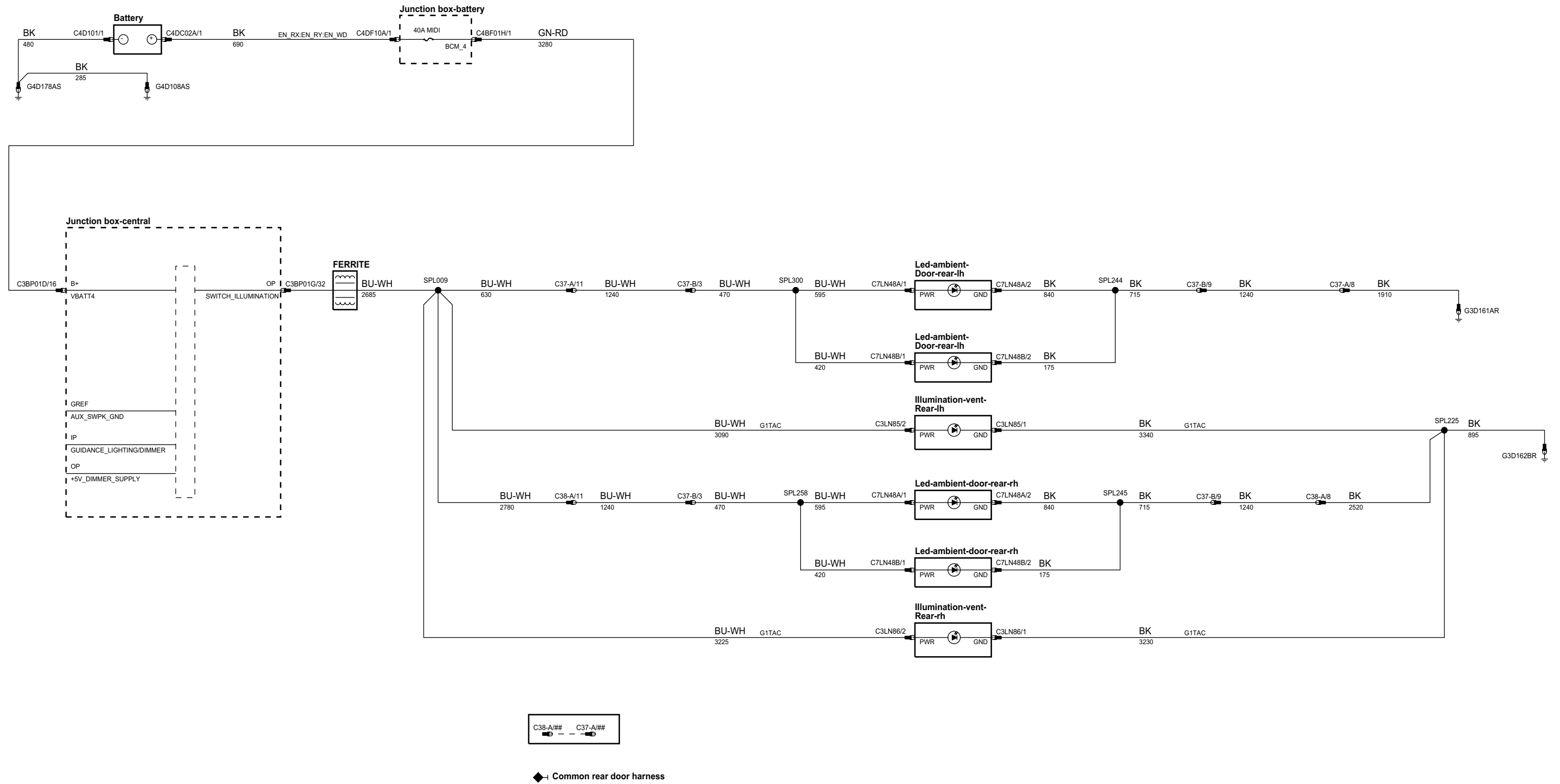


phcw93-70123-b-a3

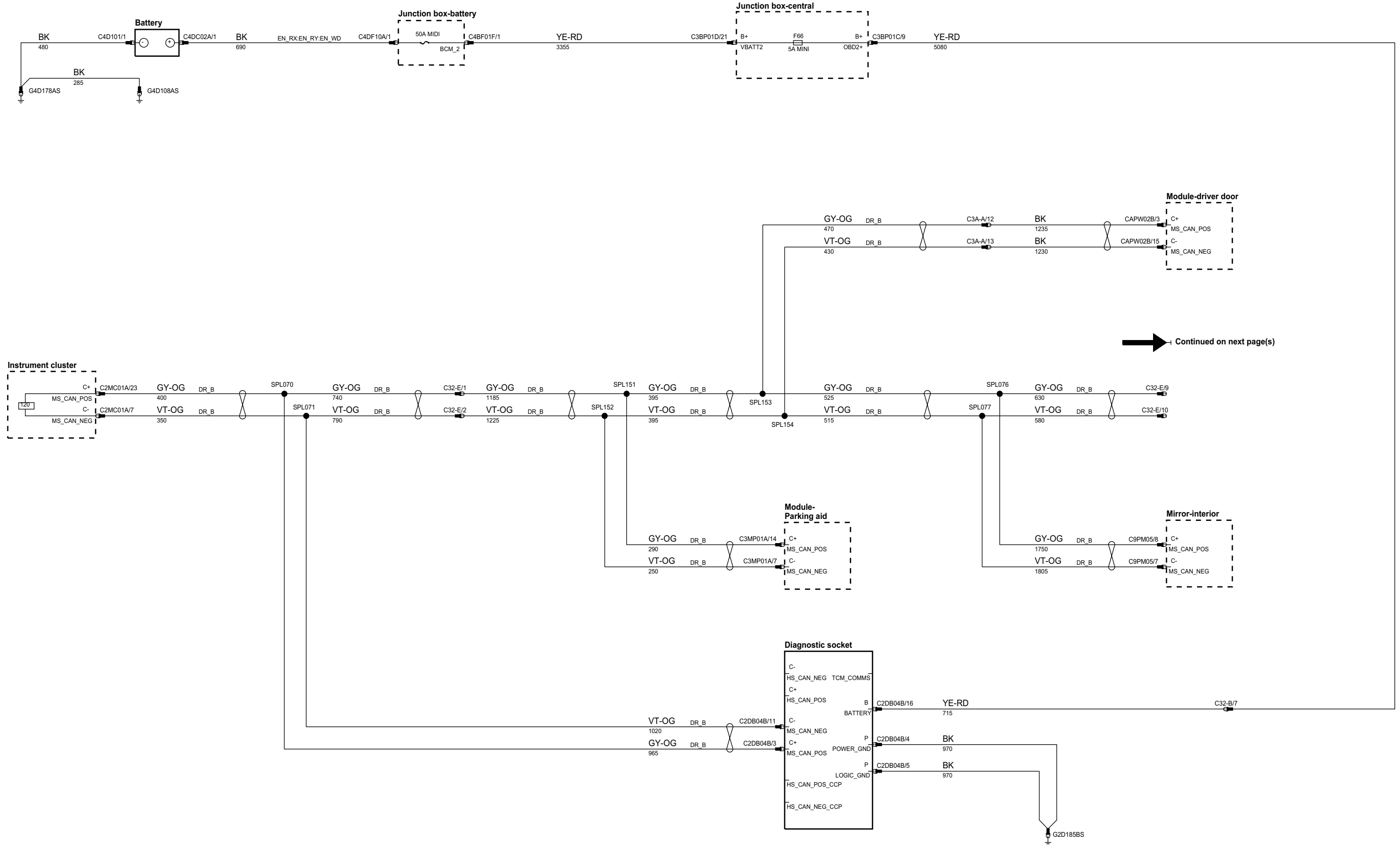




phcw93-70106-b-a3

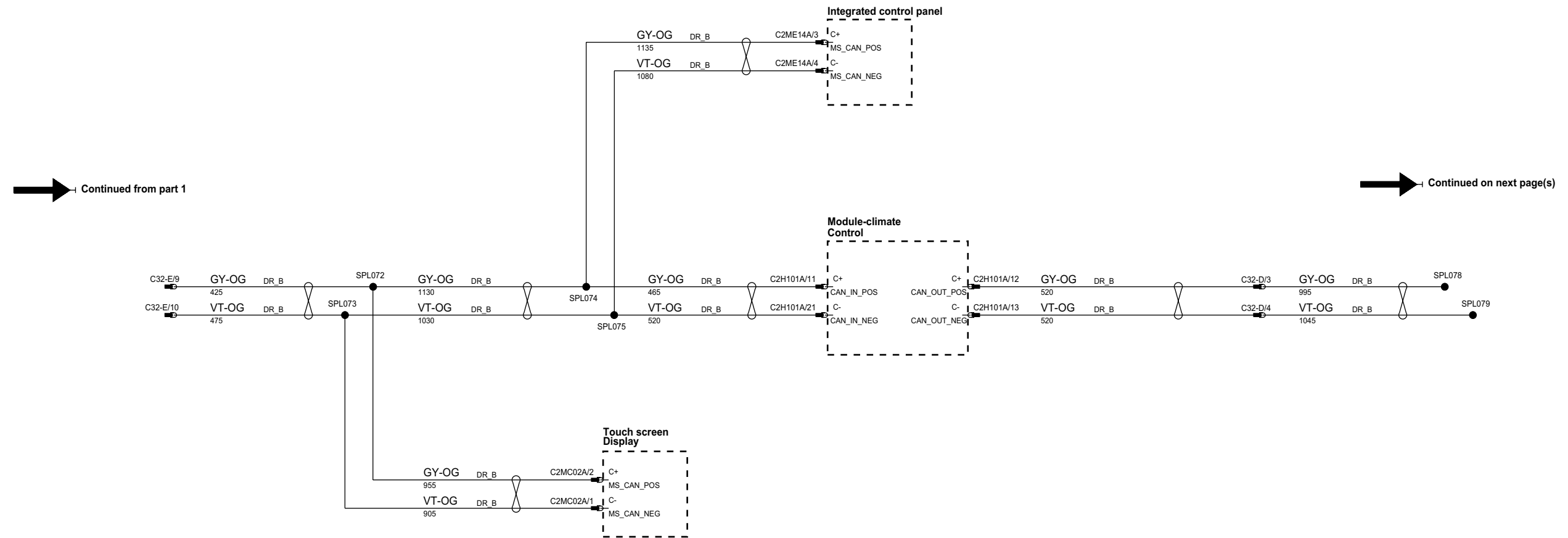


phow93-70016-a-a3



Continued on next page(s)

phcw93-70016-b-a3

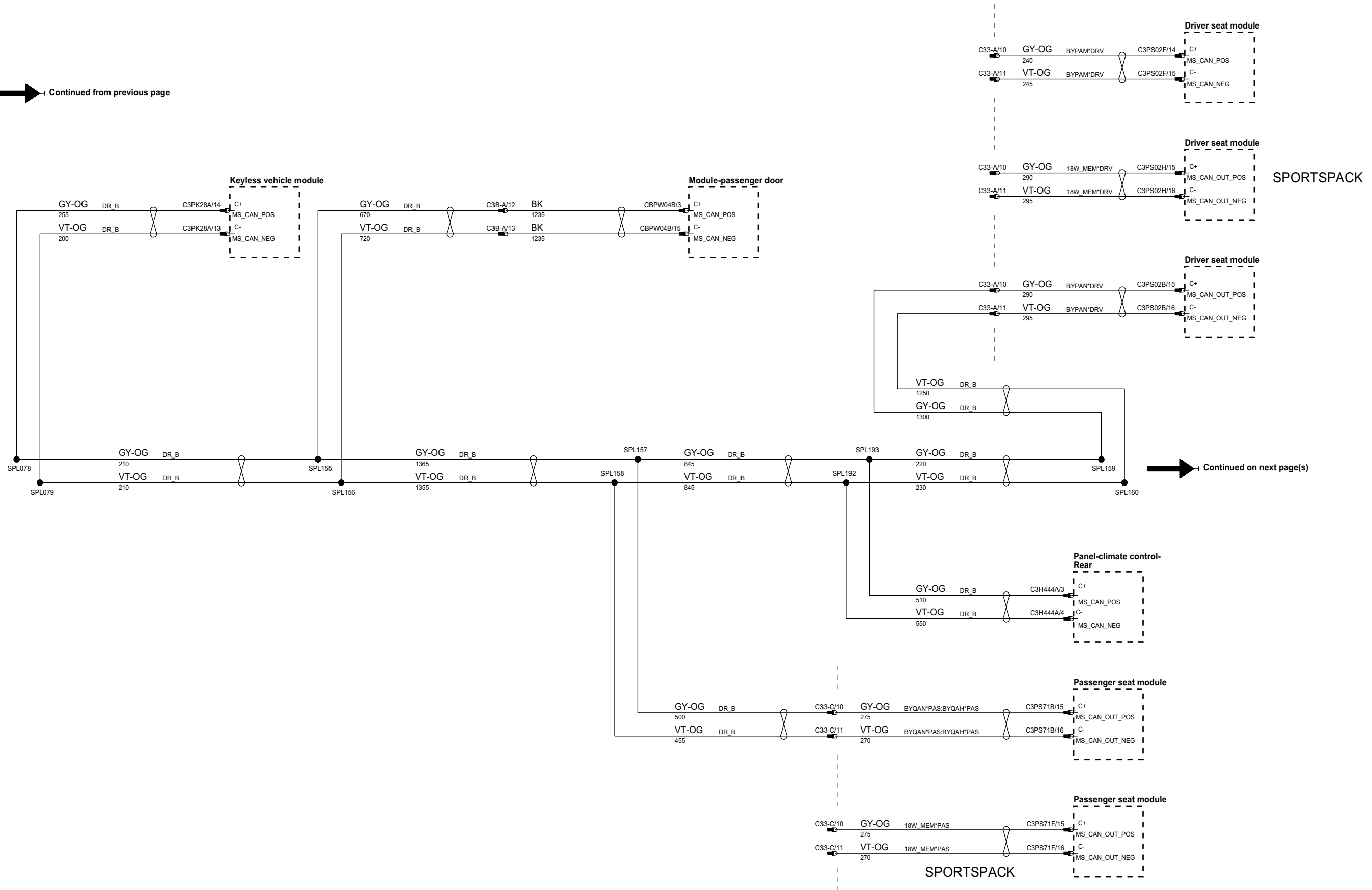


Continued from part 1

Continued on next page(s)

phcw93-70016-c-a3

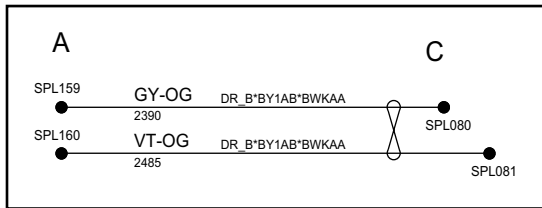
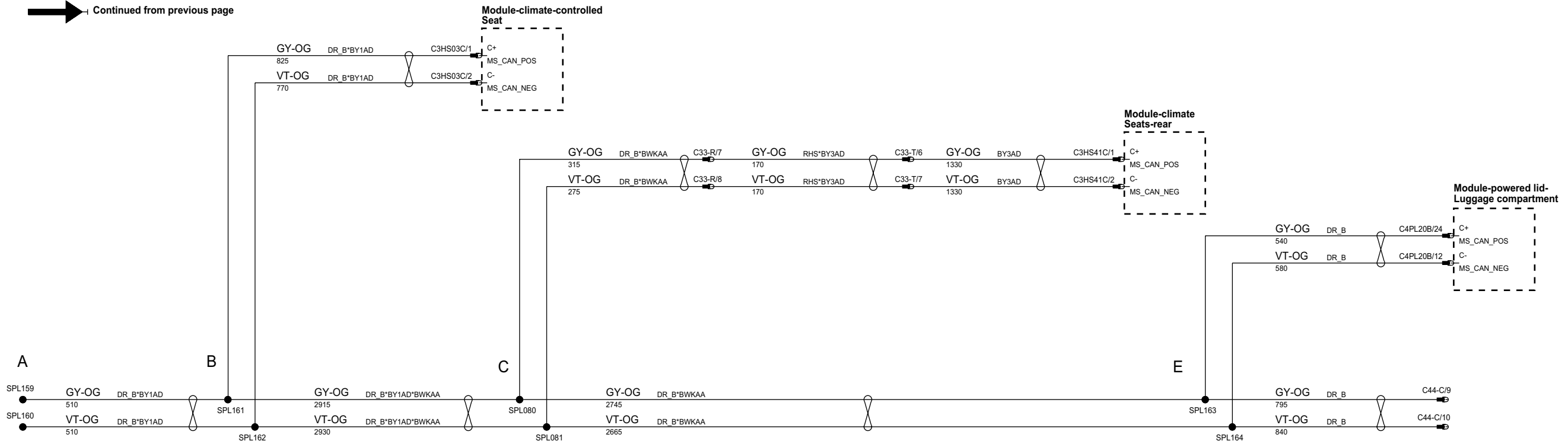
Continued from previous page



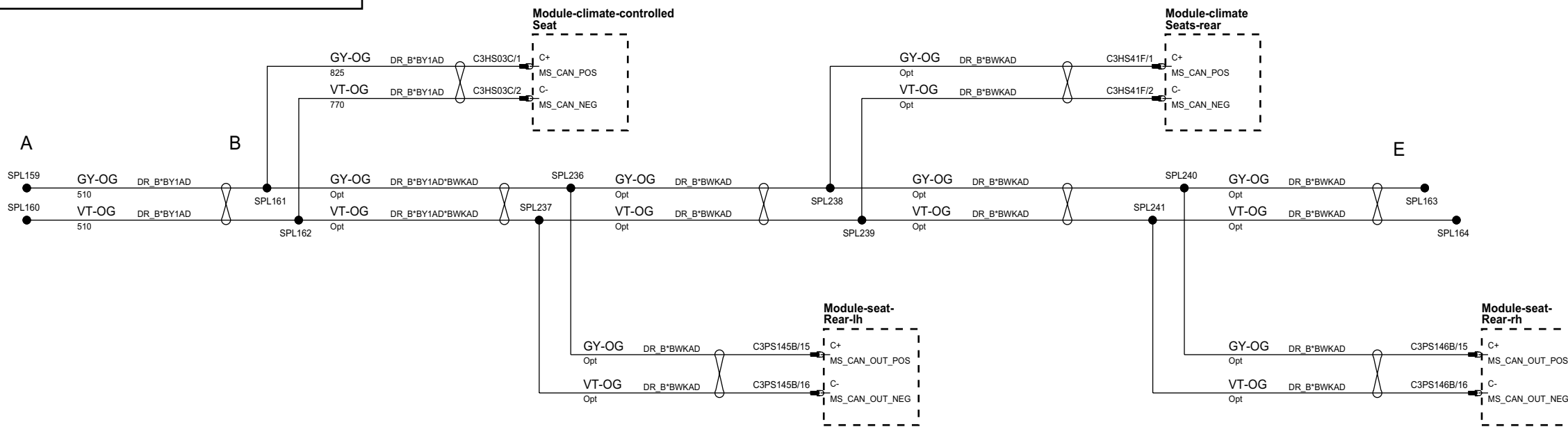
Continued on next page(s)

phcw93-70016-d-a3

Continued from previous page

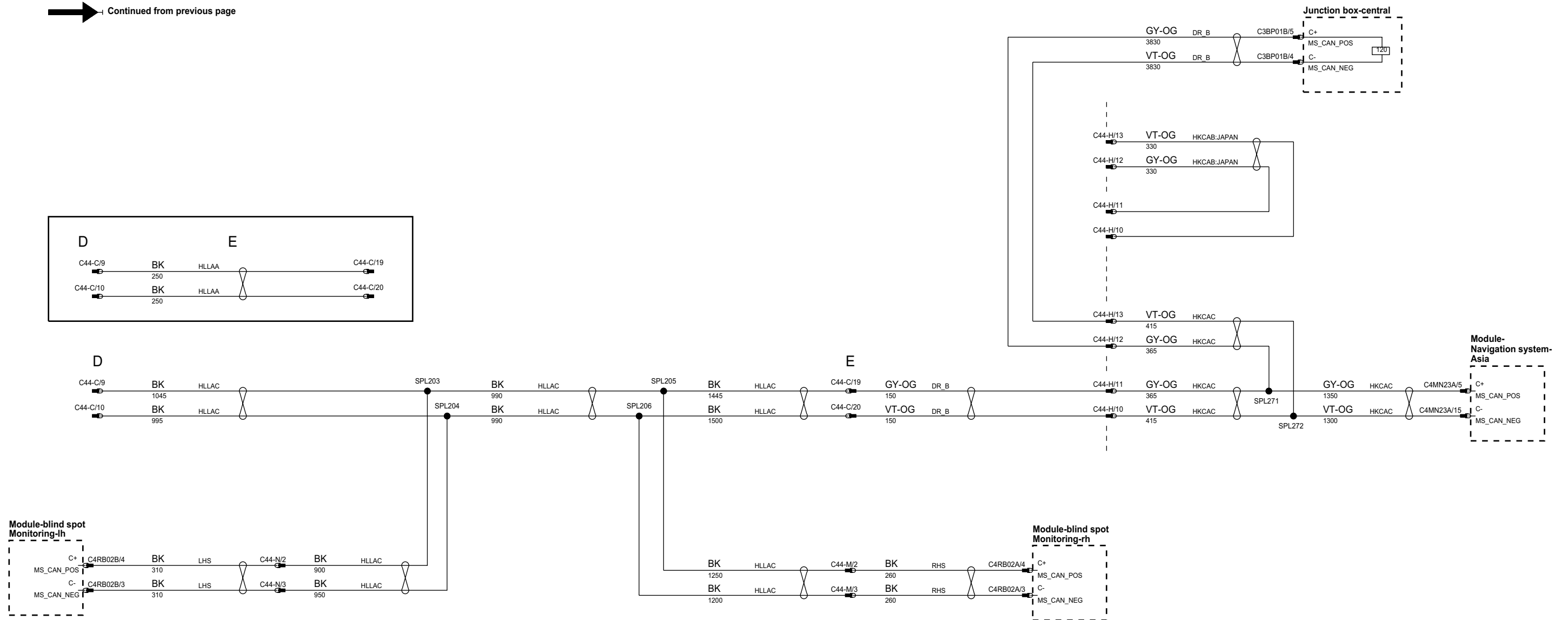


Continued on next page(s)

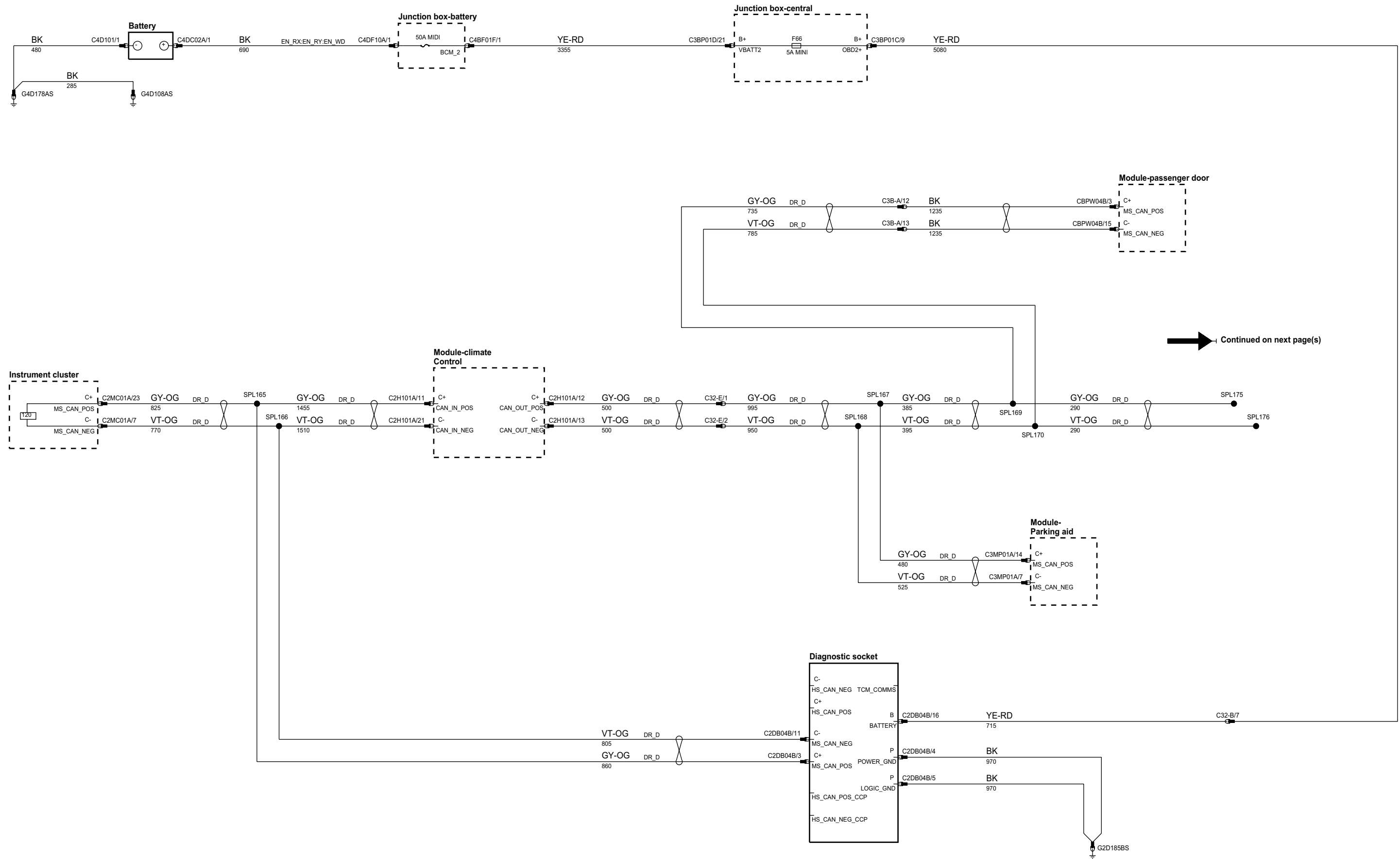


phcw93-70016-v-a3

Continued from previous page



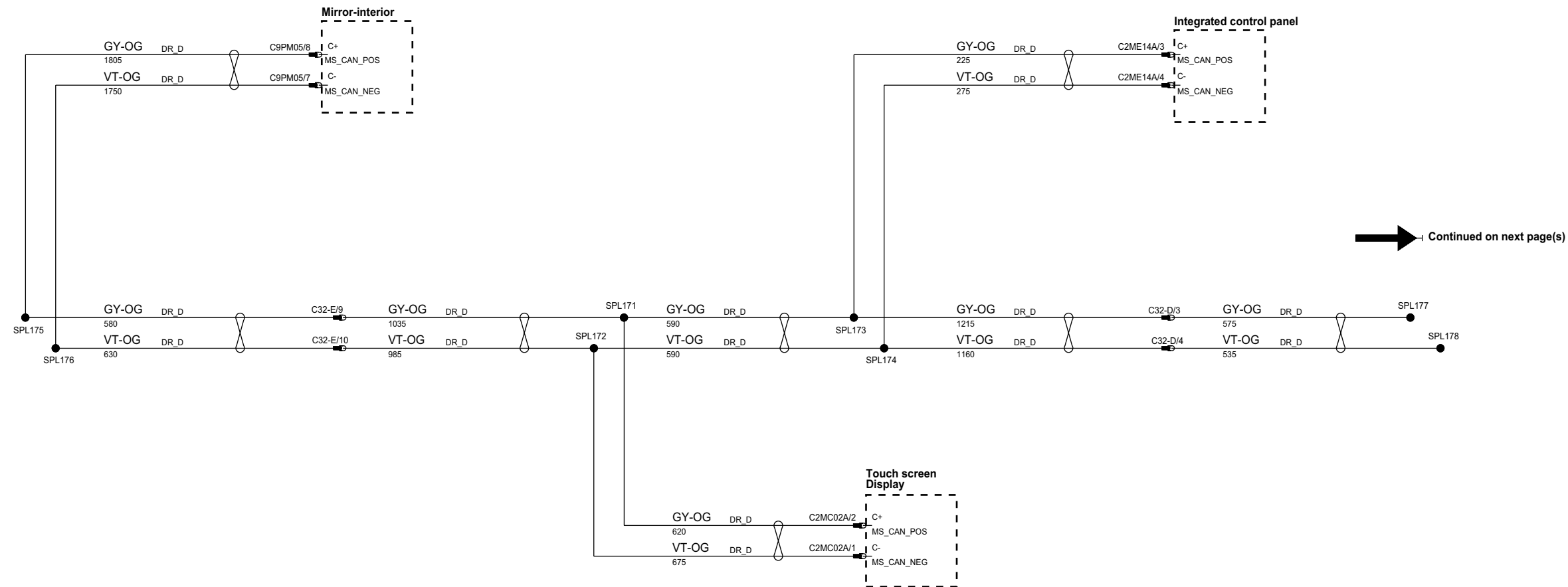
phcw93-70016-e-a3



Continued on next page(s)

phcw93-70016-f-a3

➔ Continued from previous page

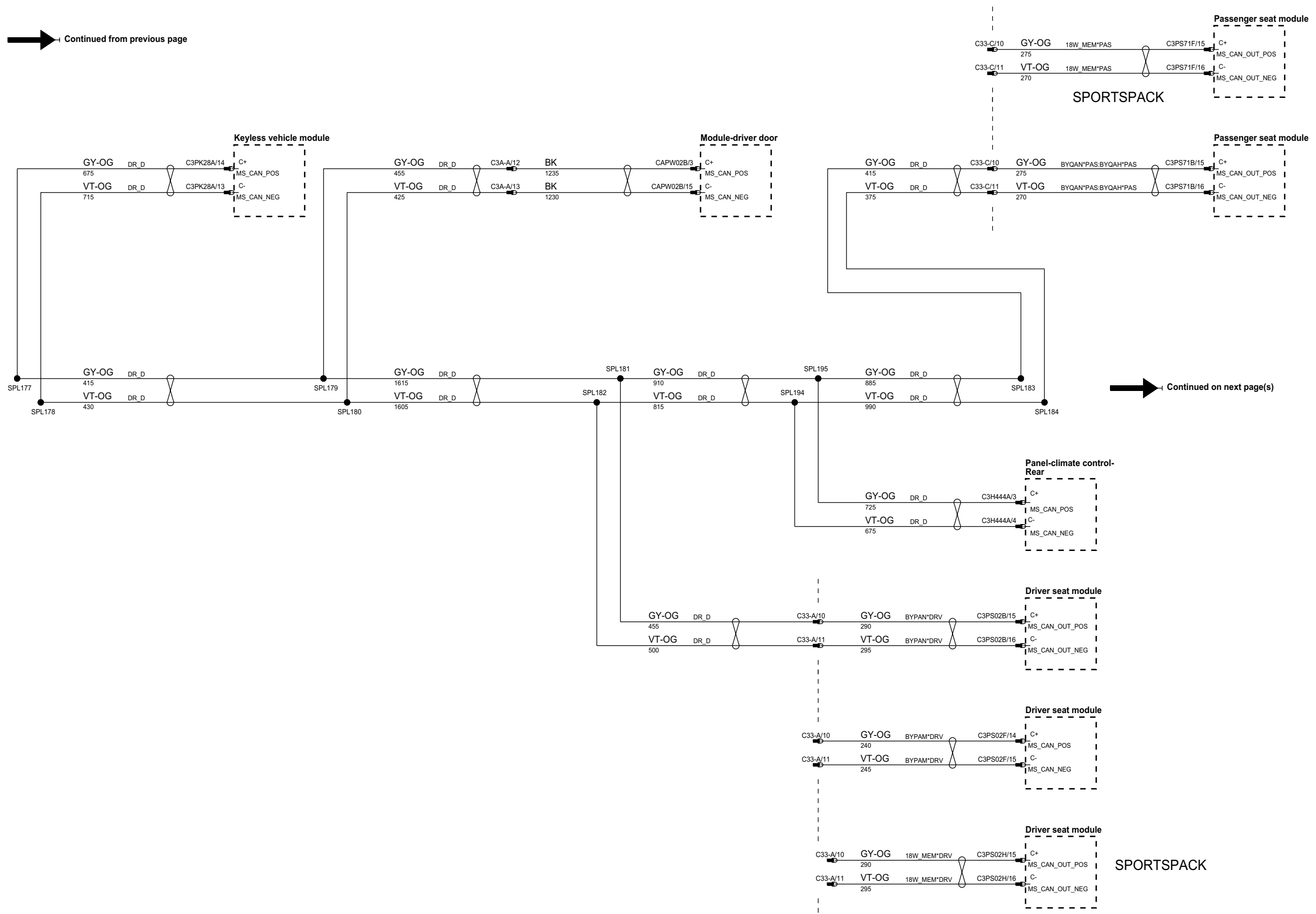


➔ Continued on next page(s)



pinw93-1/0010-g-03

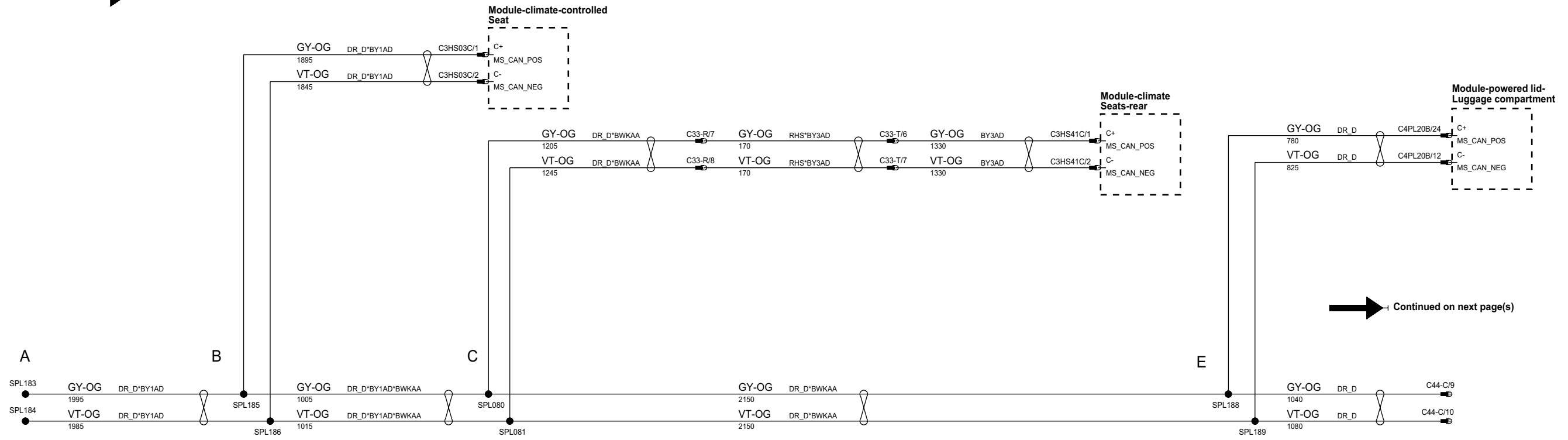
Continued from previous page



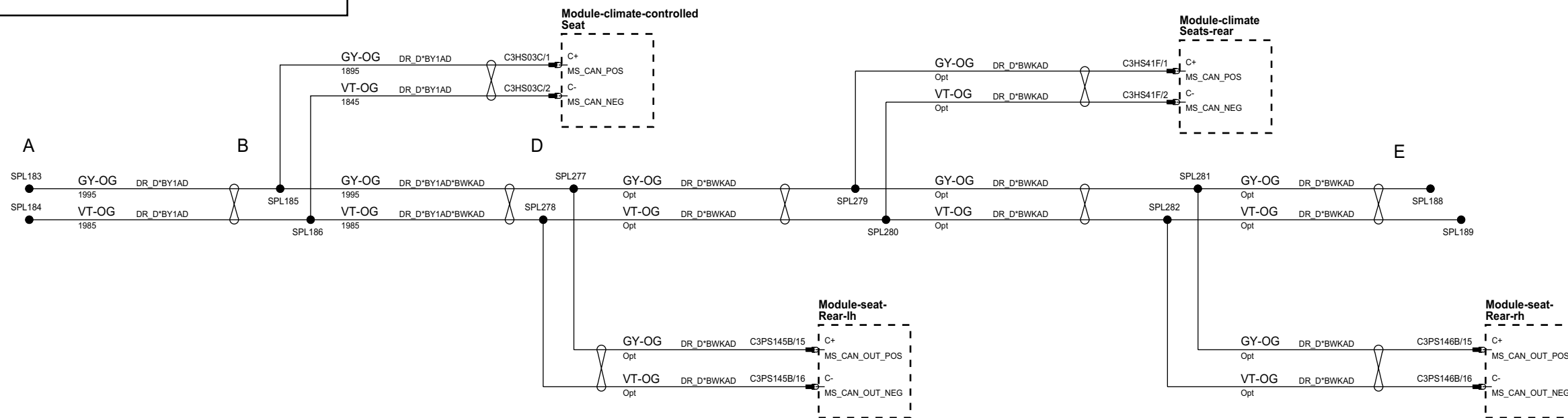
Continued on next page(s)

phcw93-70016-h-a3

Continued from previous page

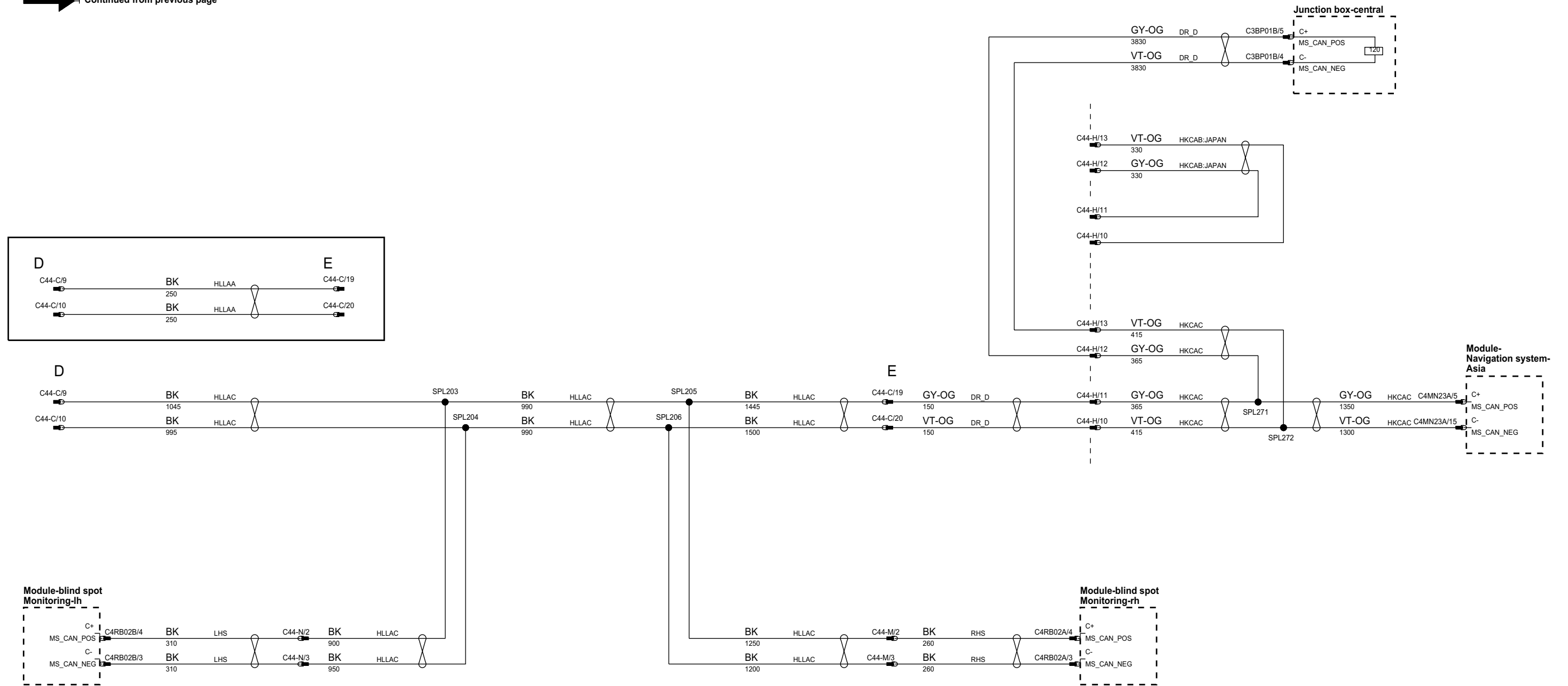


Continued on next page(s)

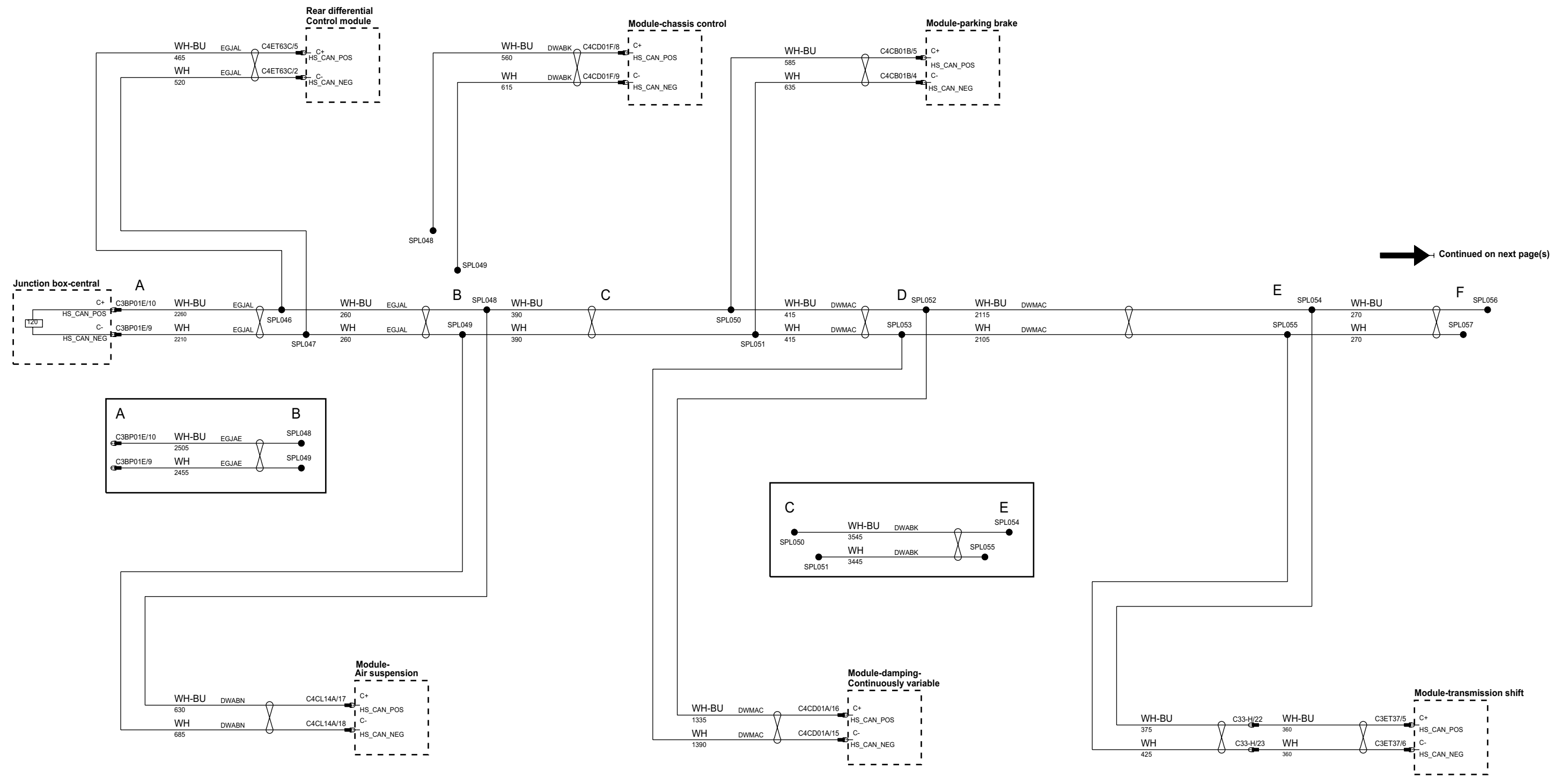


phcw93-70016-u-a3

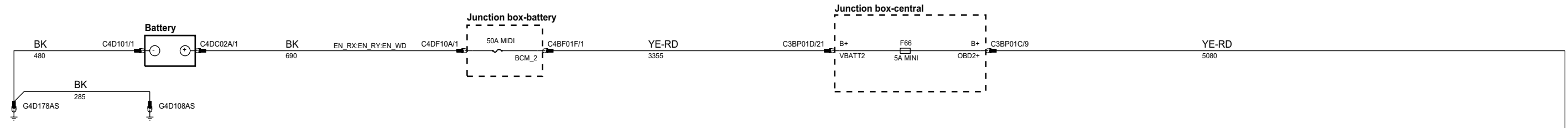
Continued from previous page



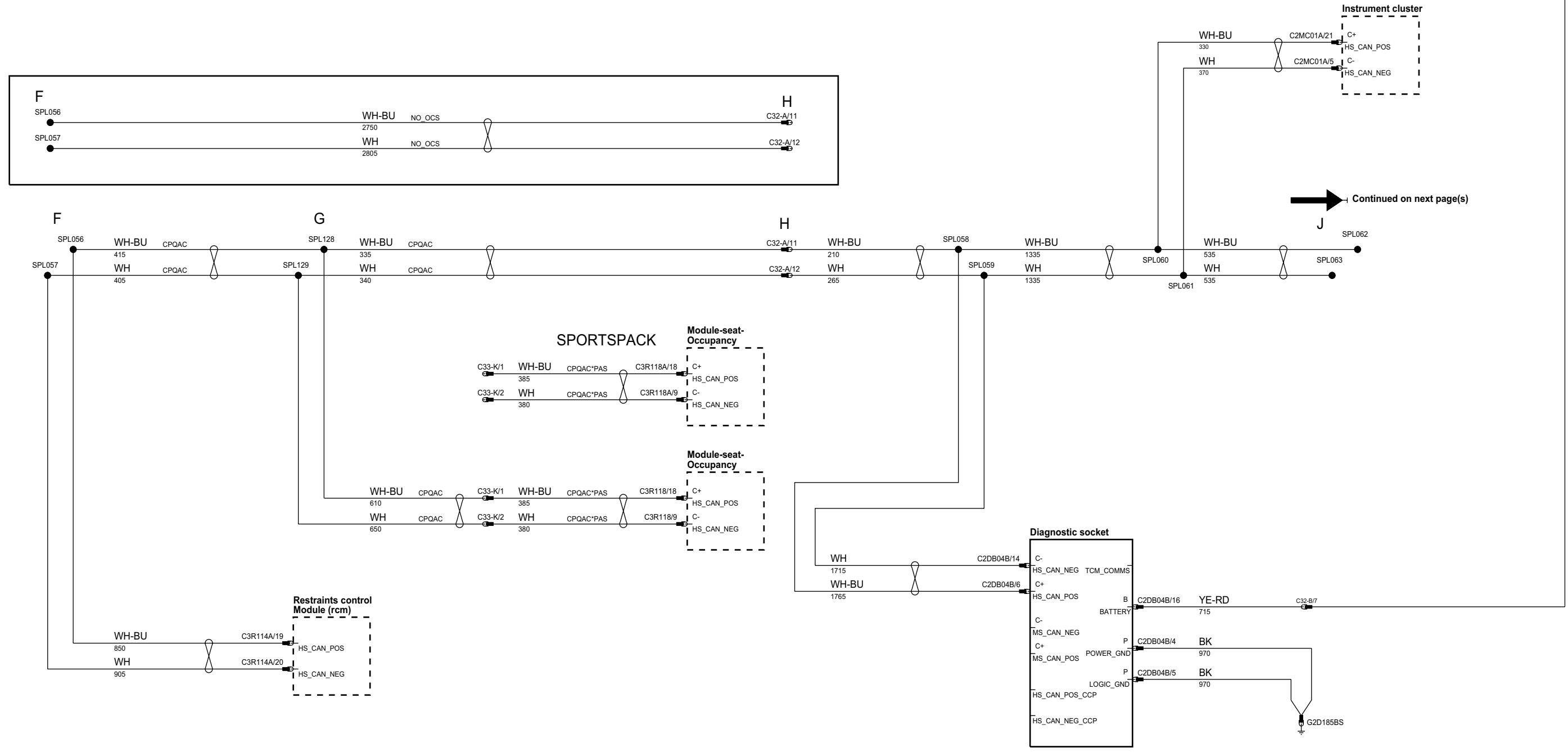
phcw93-70016-j-a3



phcw93-70016-k-a3

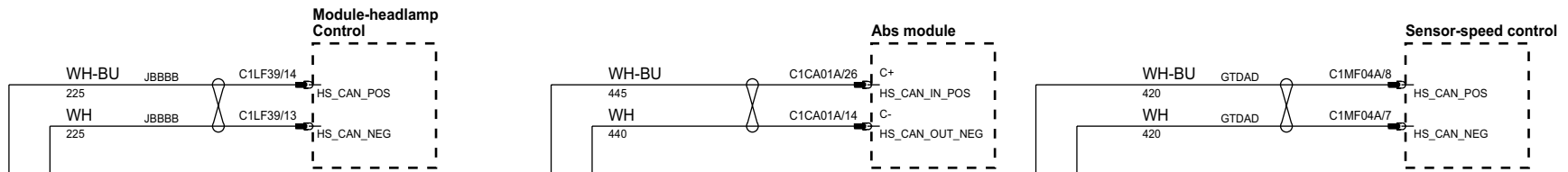
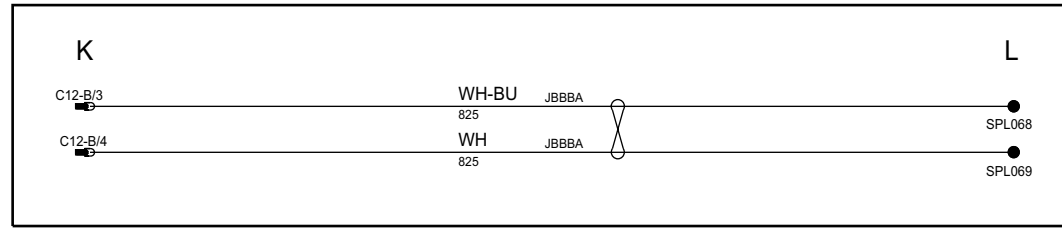


Continued from previous page



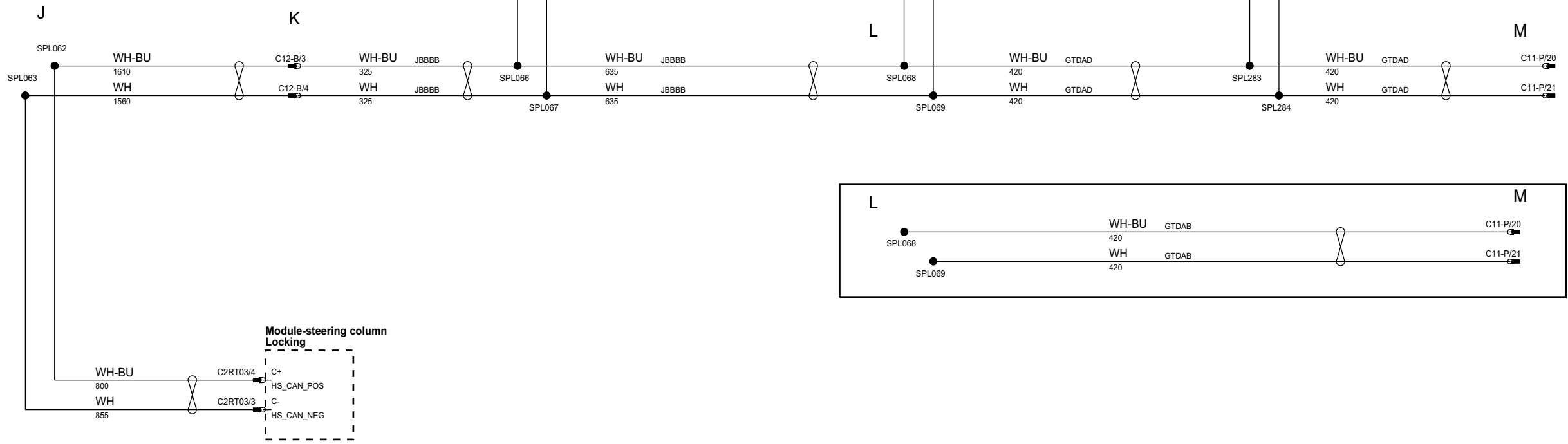
Continued on next page(s)

phcw93-70016+a3

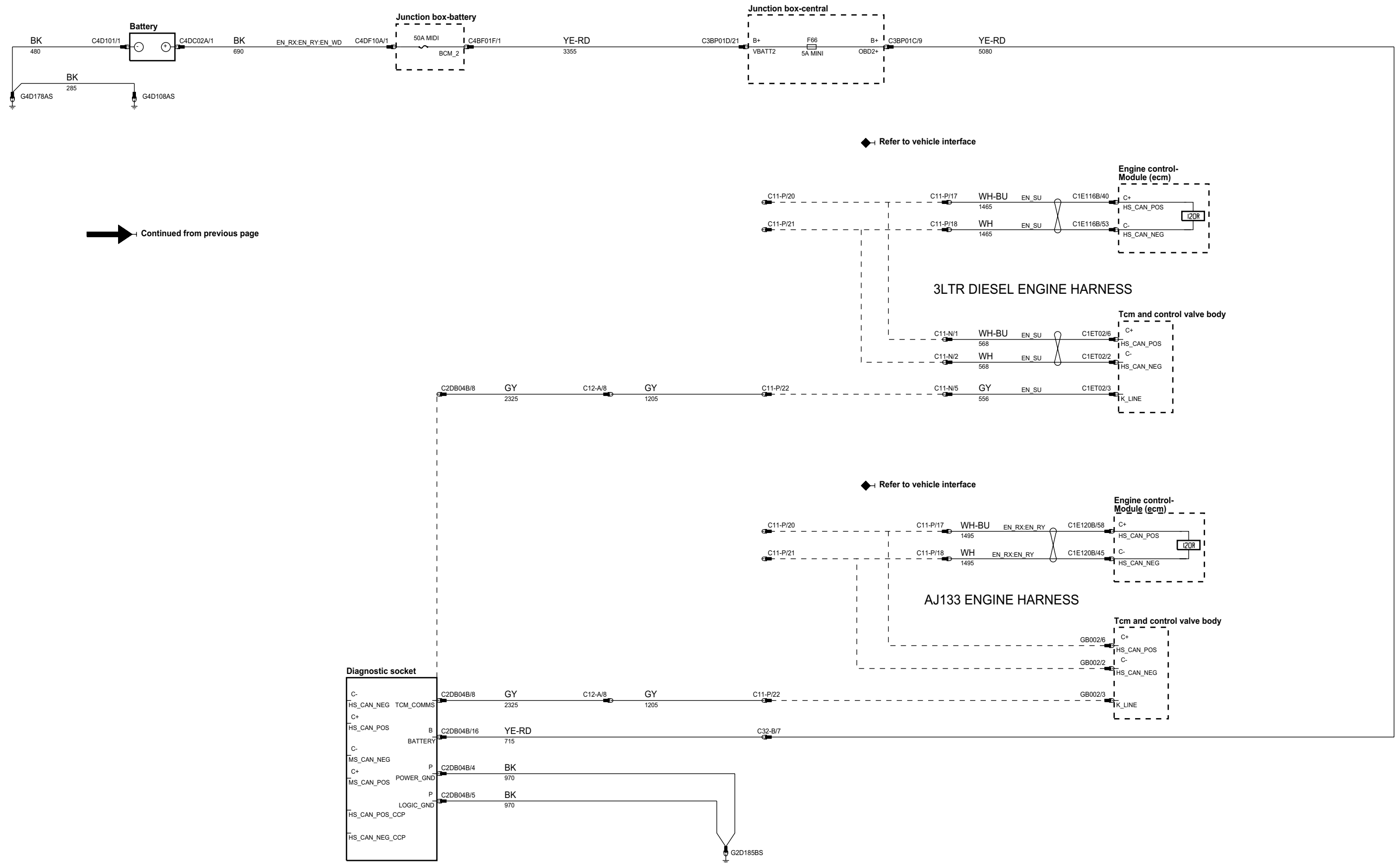


Continued from previous page

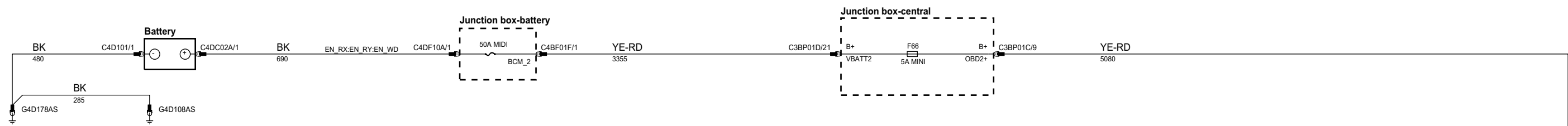
Continued on next page(s)



phcw93-70016-m-a3

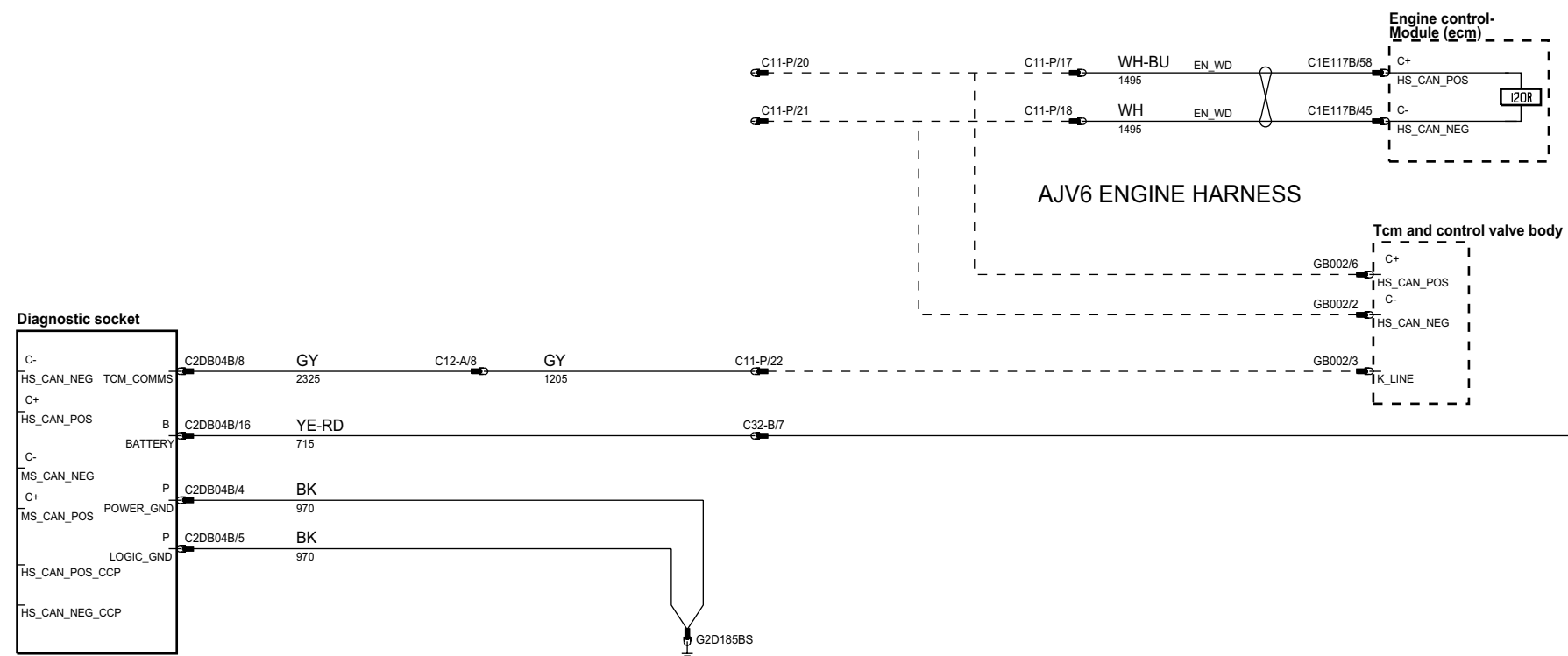


phcw93-70016-n-a3



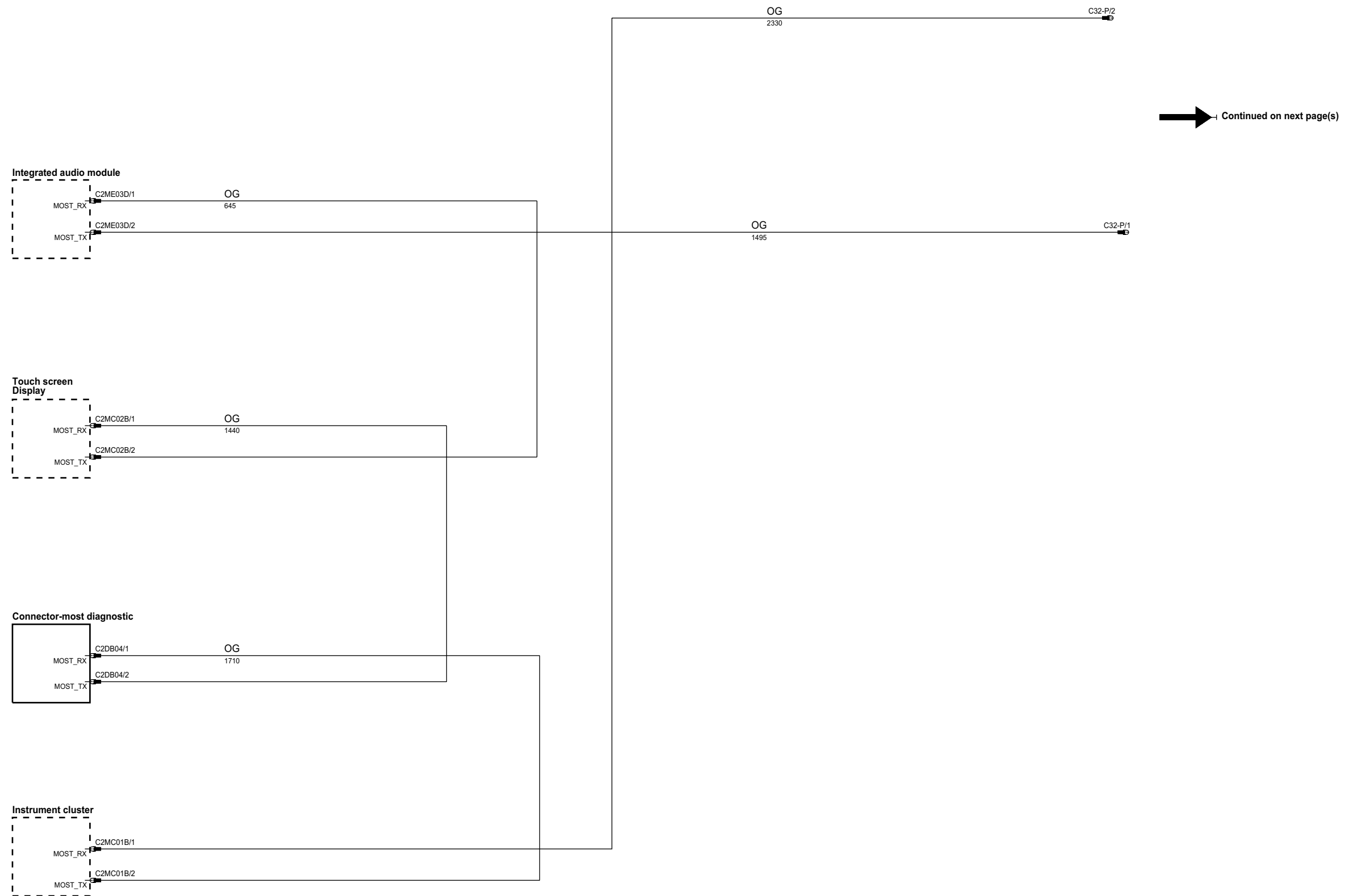
Continued from previous page

Refer to vehicle interface



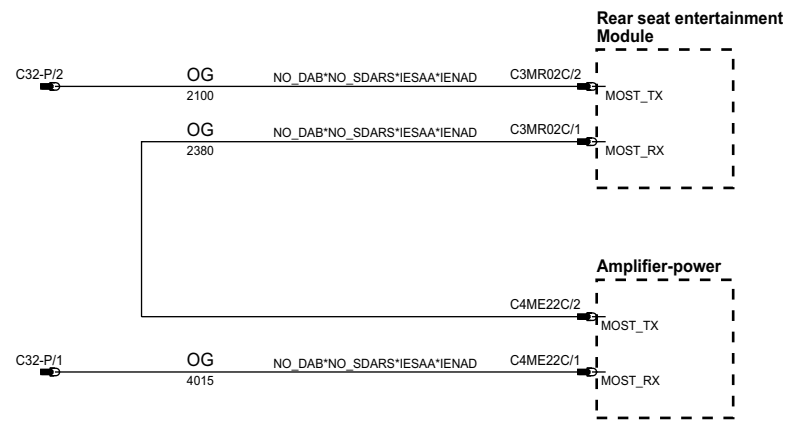
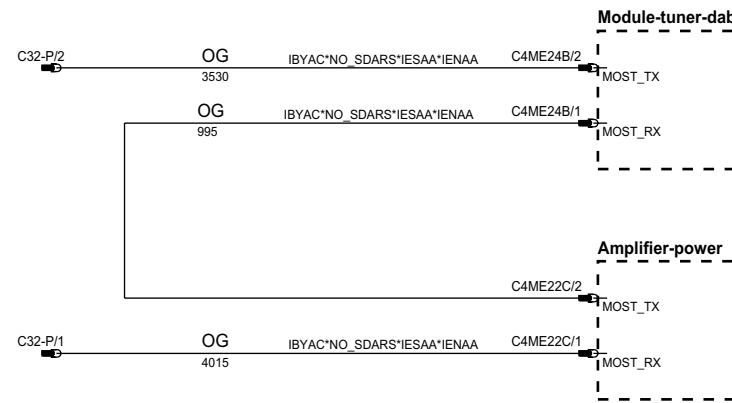
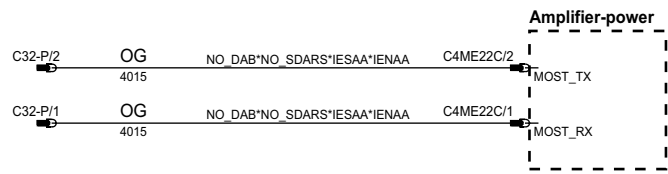
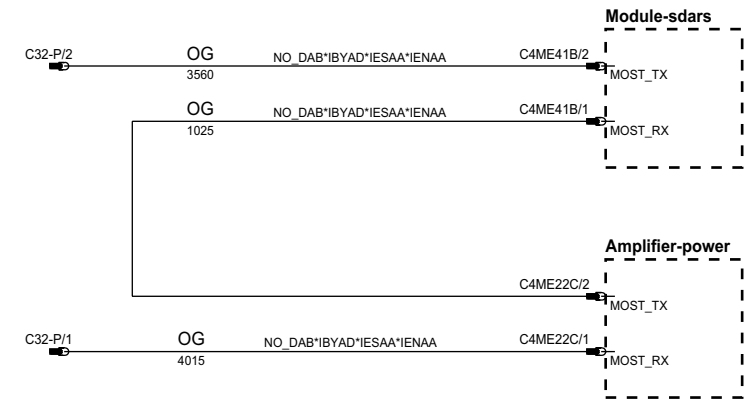
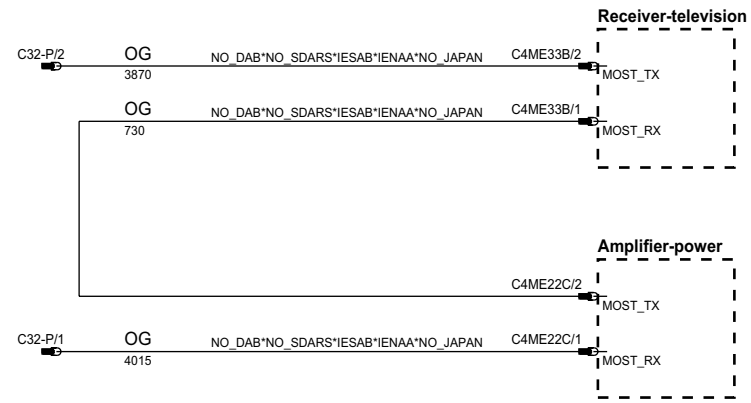


phcw93-70016-p-a3



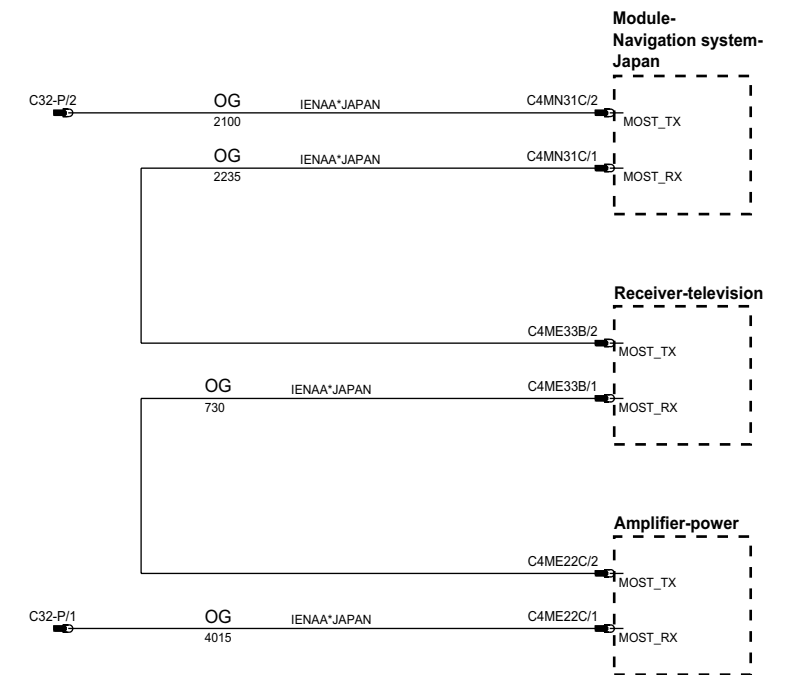
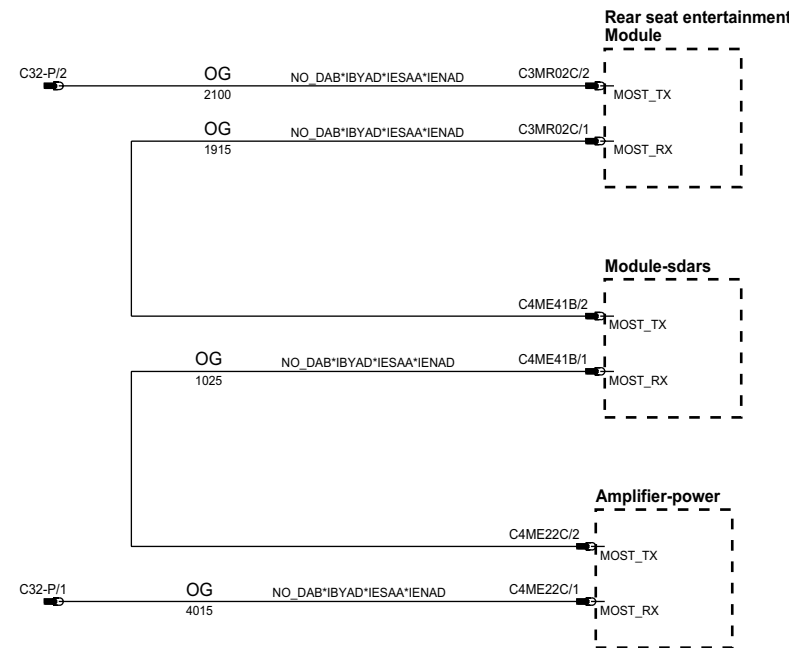
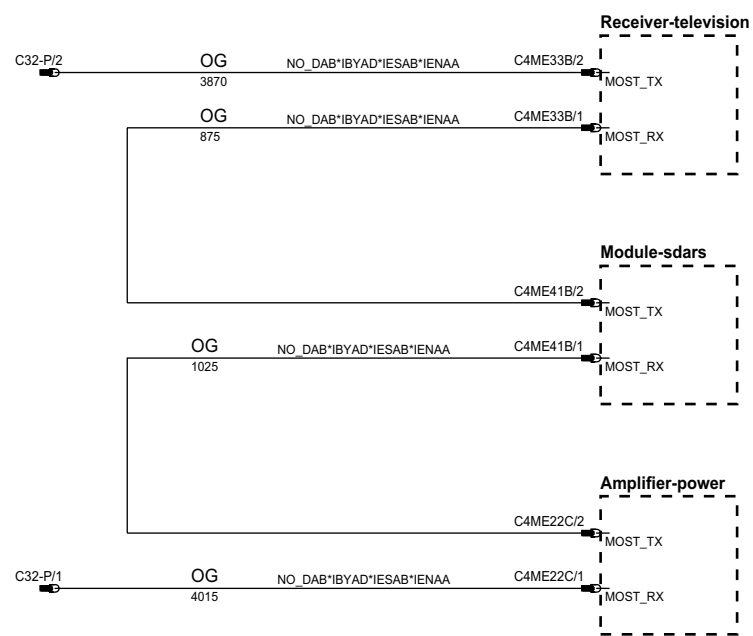
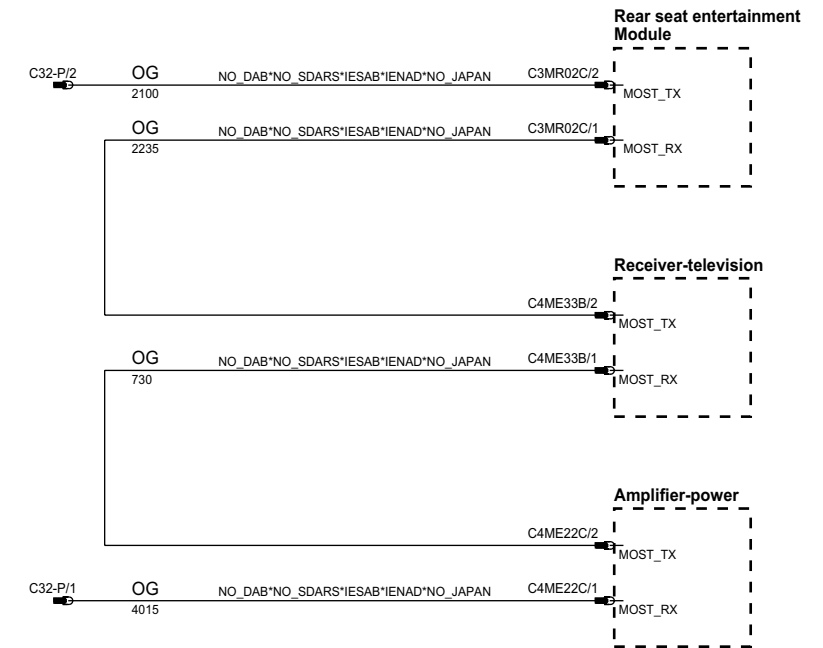
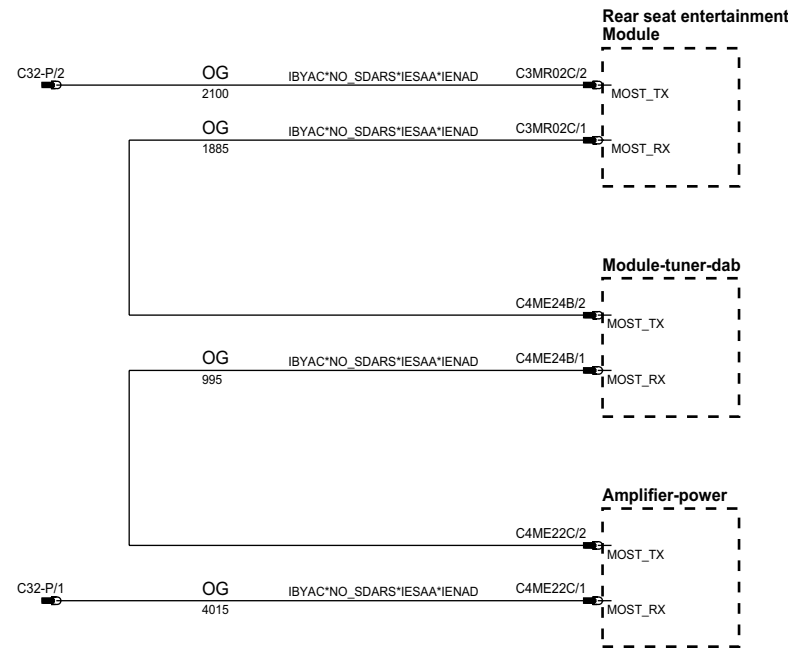
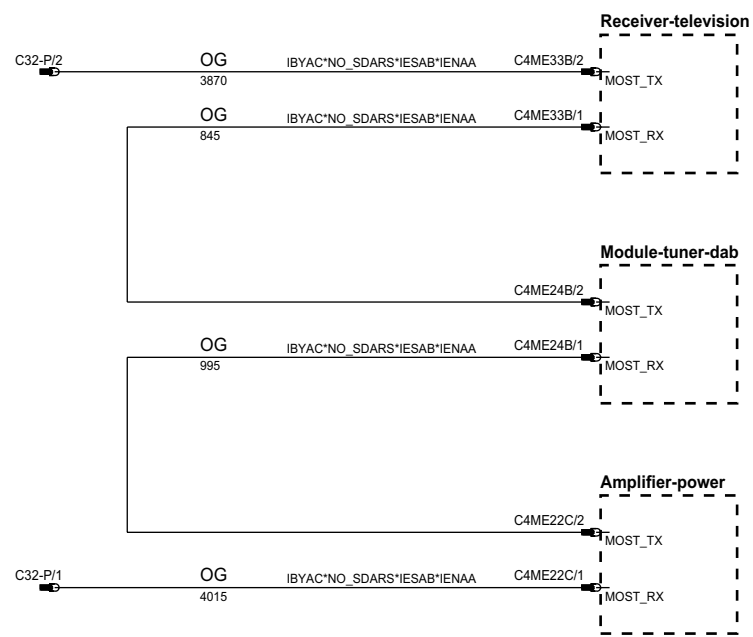
phcw93-70016-r-a3

Continued from part 1



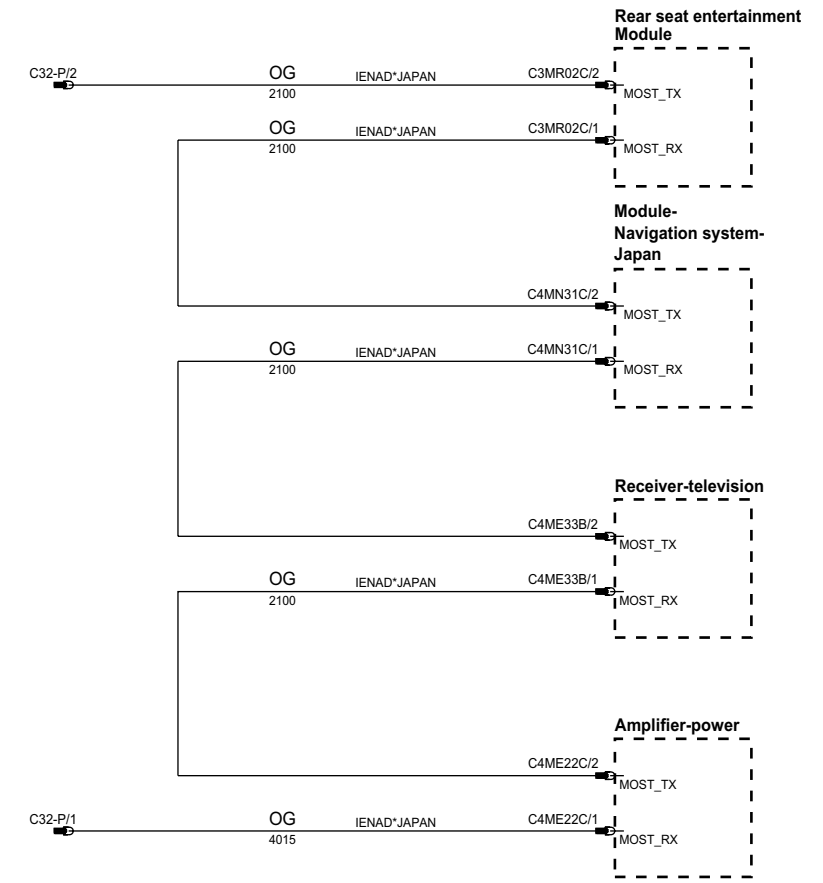
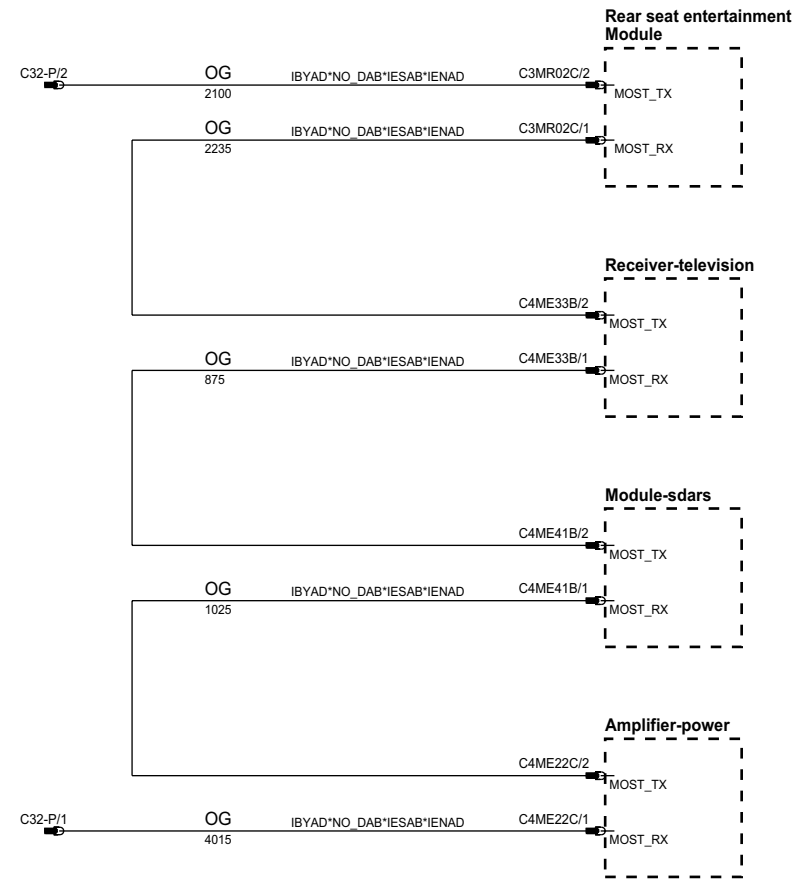
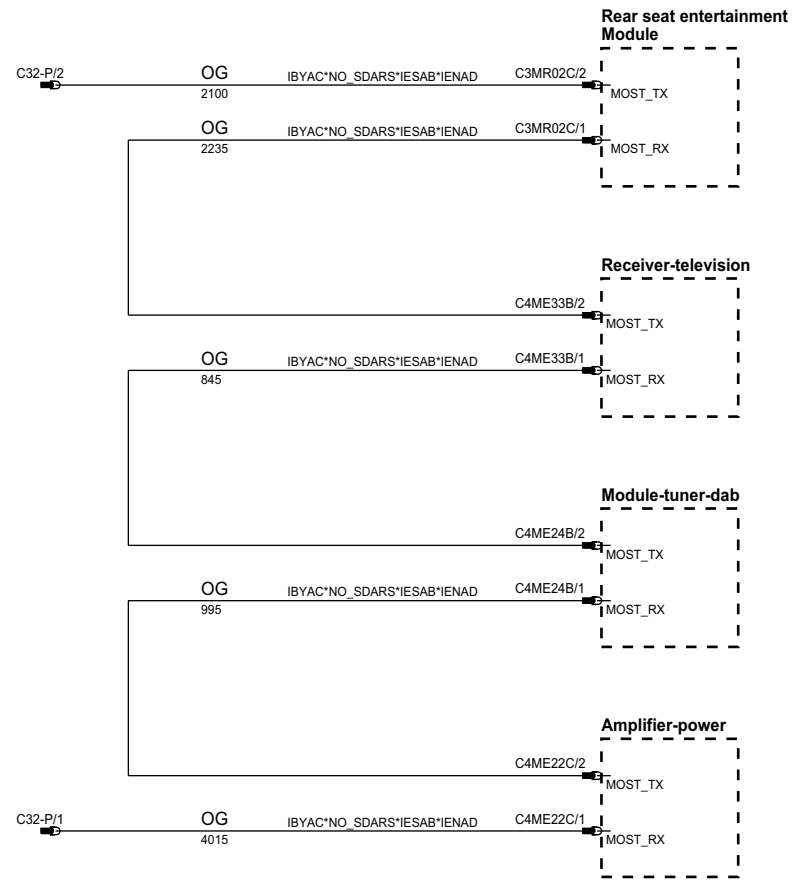
phcw93-70016-s-a3

Continued from part 1

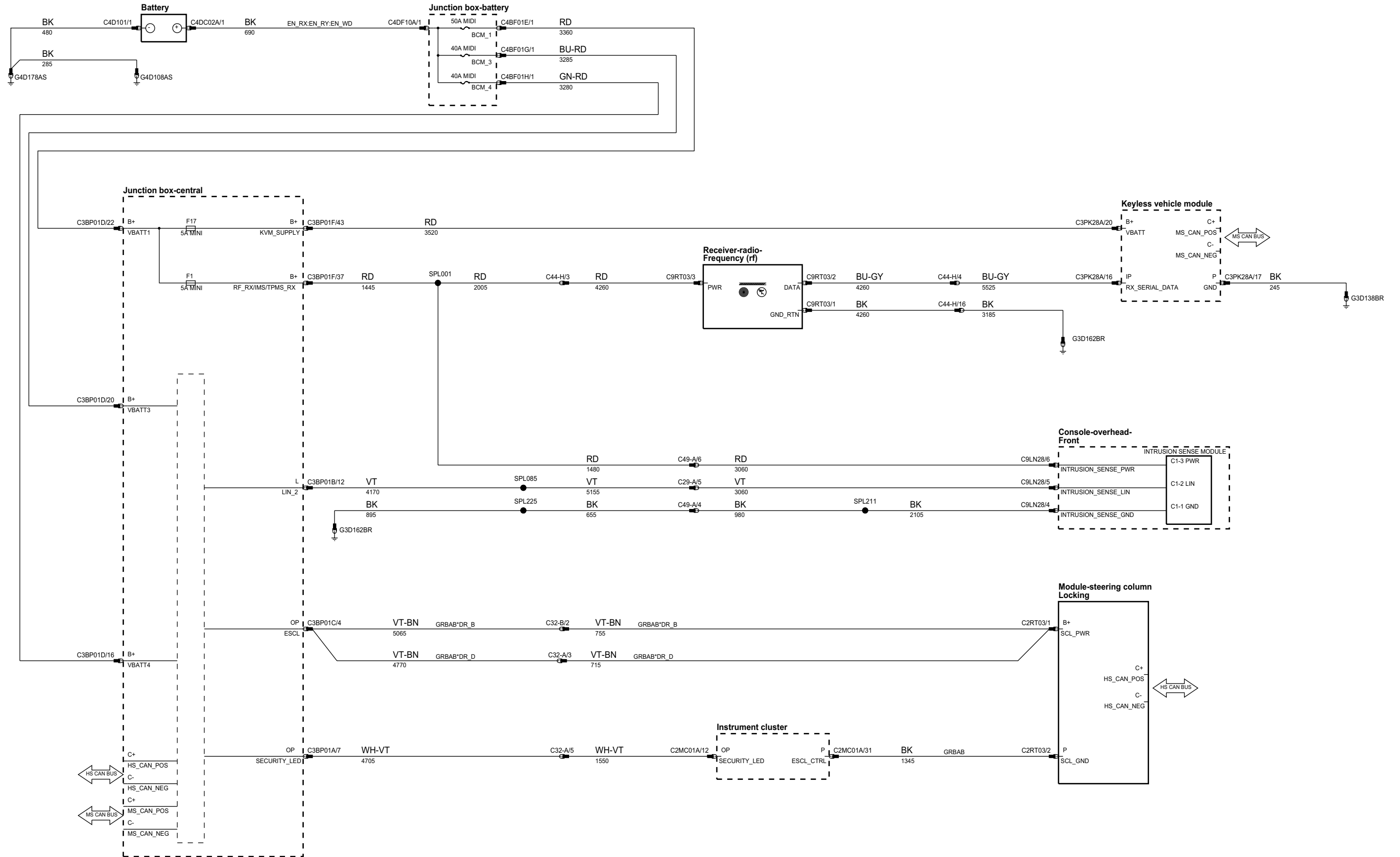


phcw93-70016-t-a3

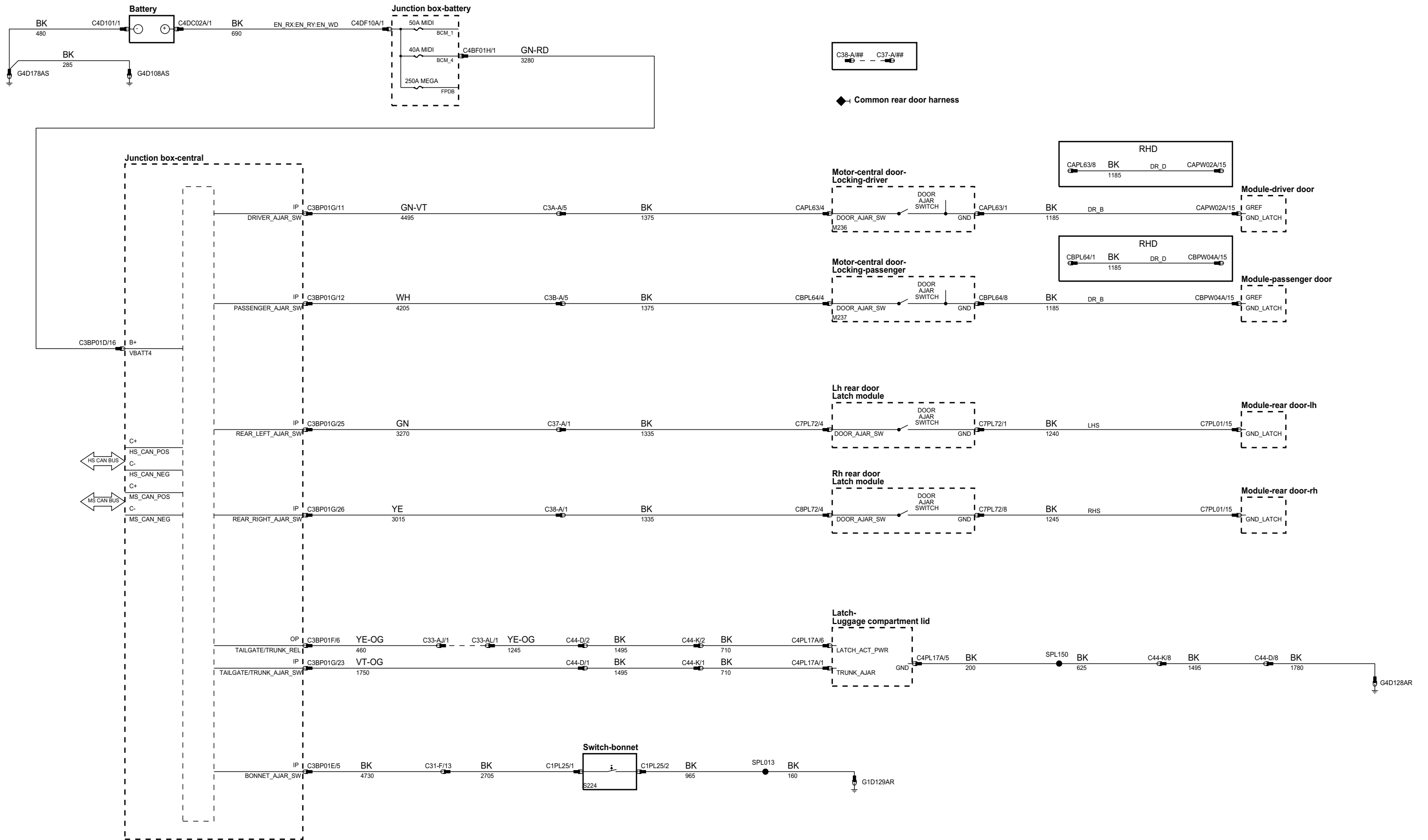
Continued from part 1



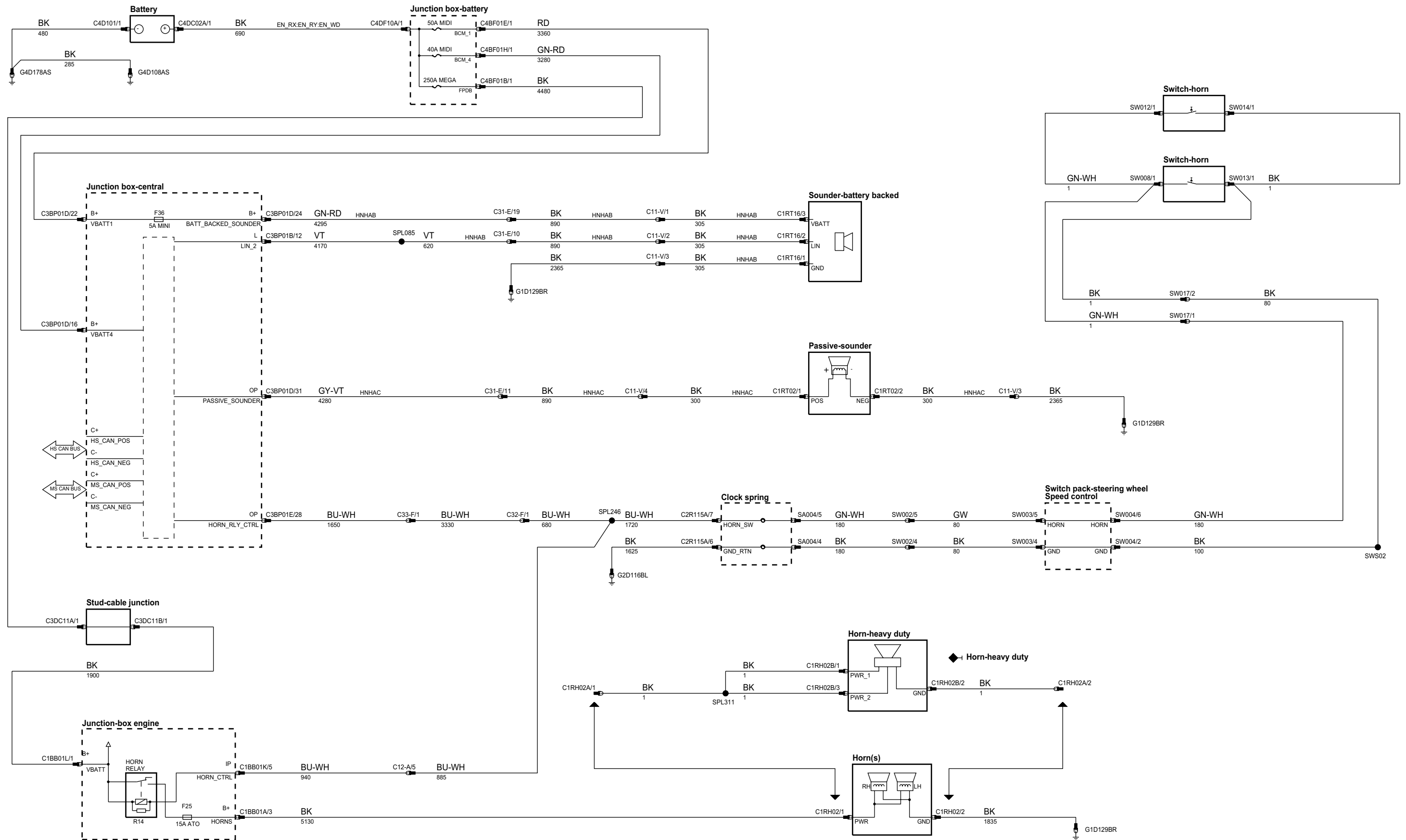
phcw93-70395-a-a3



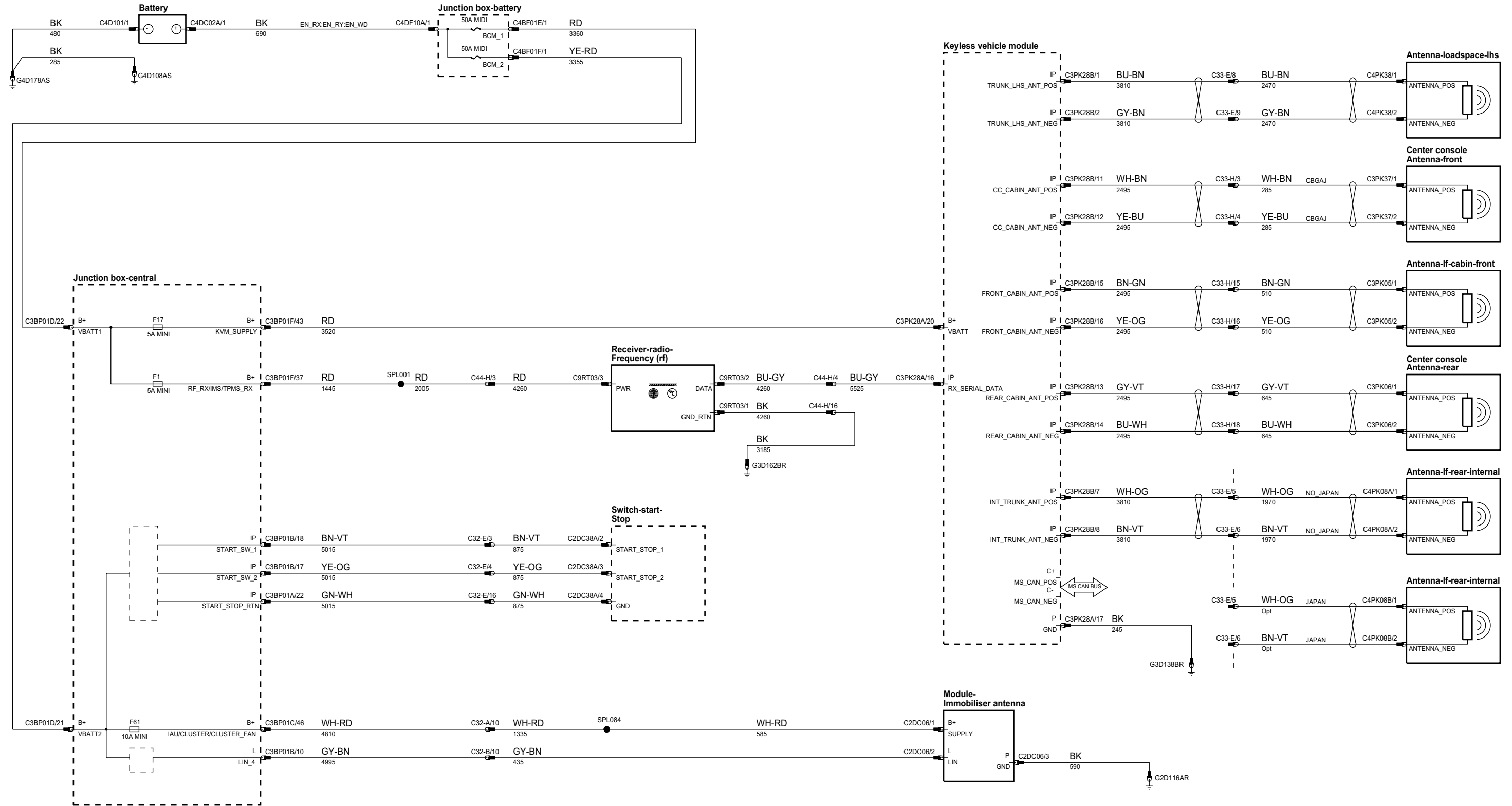
phcw93-70395-b-a3



phcw93-70395-c-a3

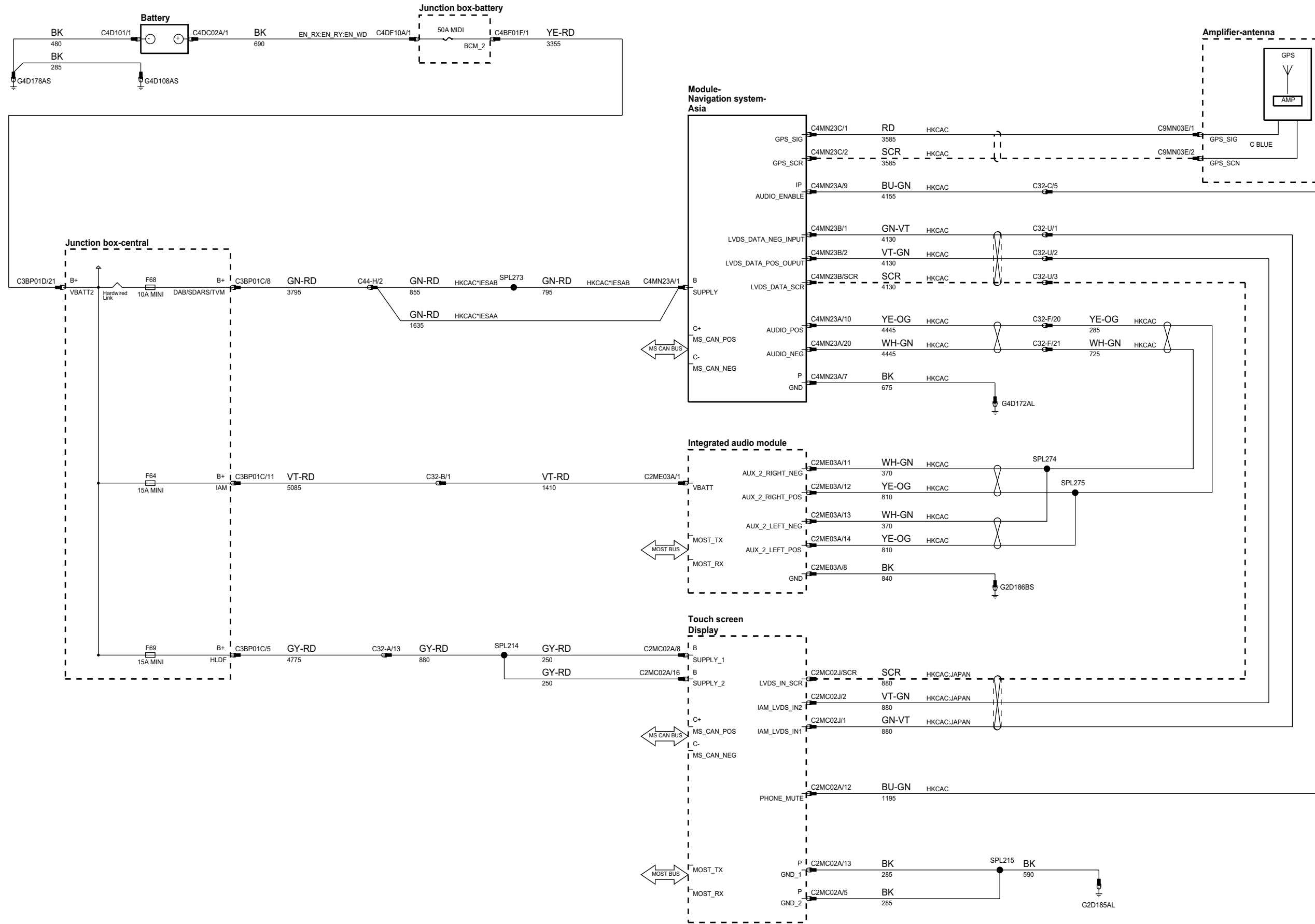


phcw93-70410-a-a3

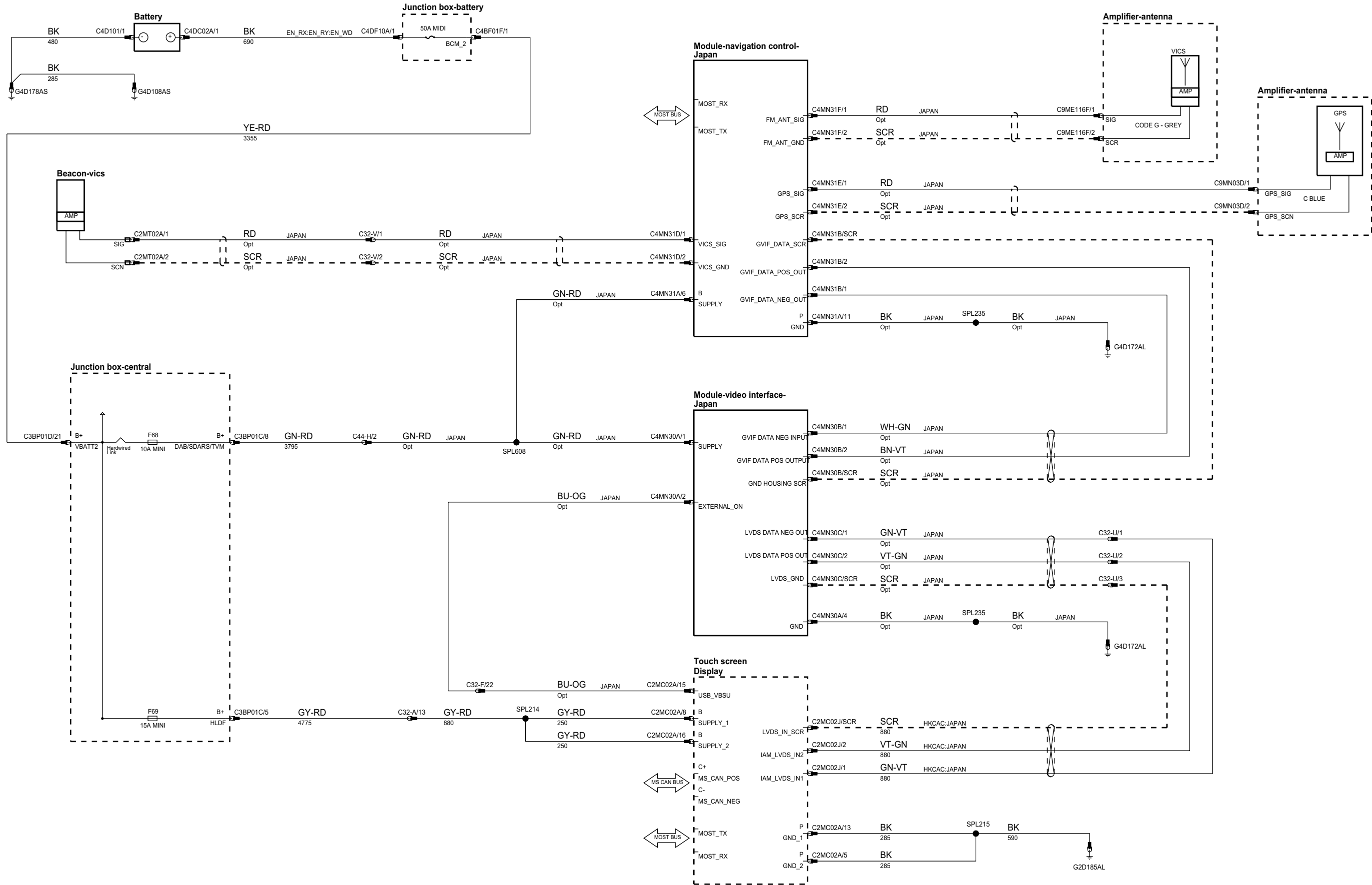




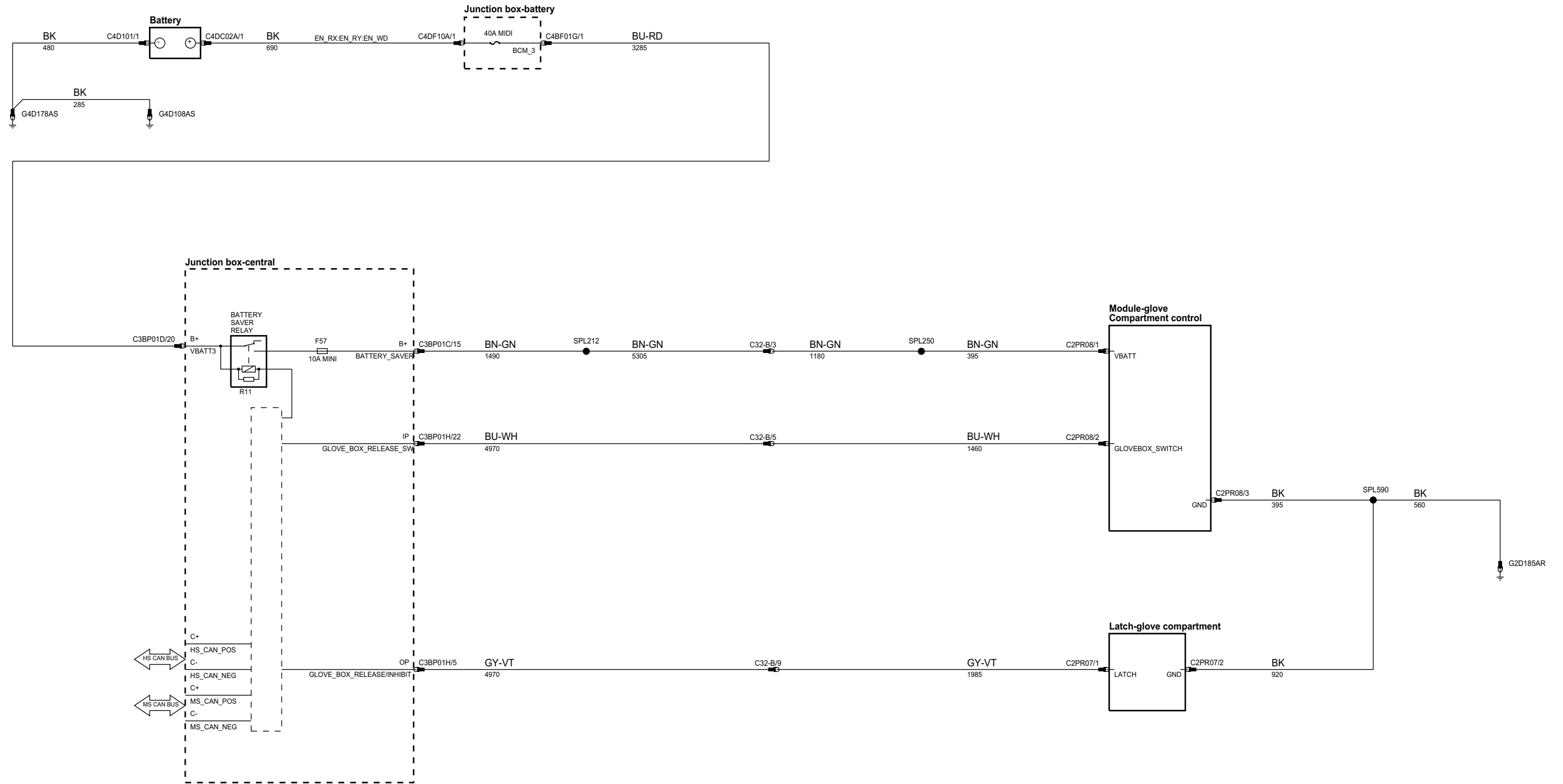
phcw93-70477-a-a3



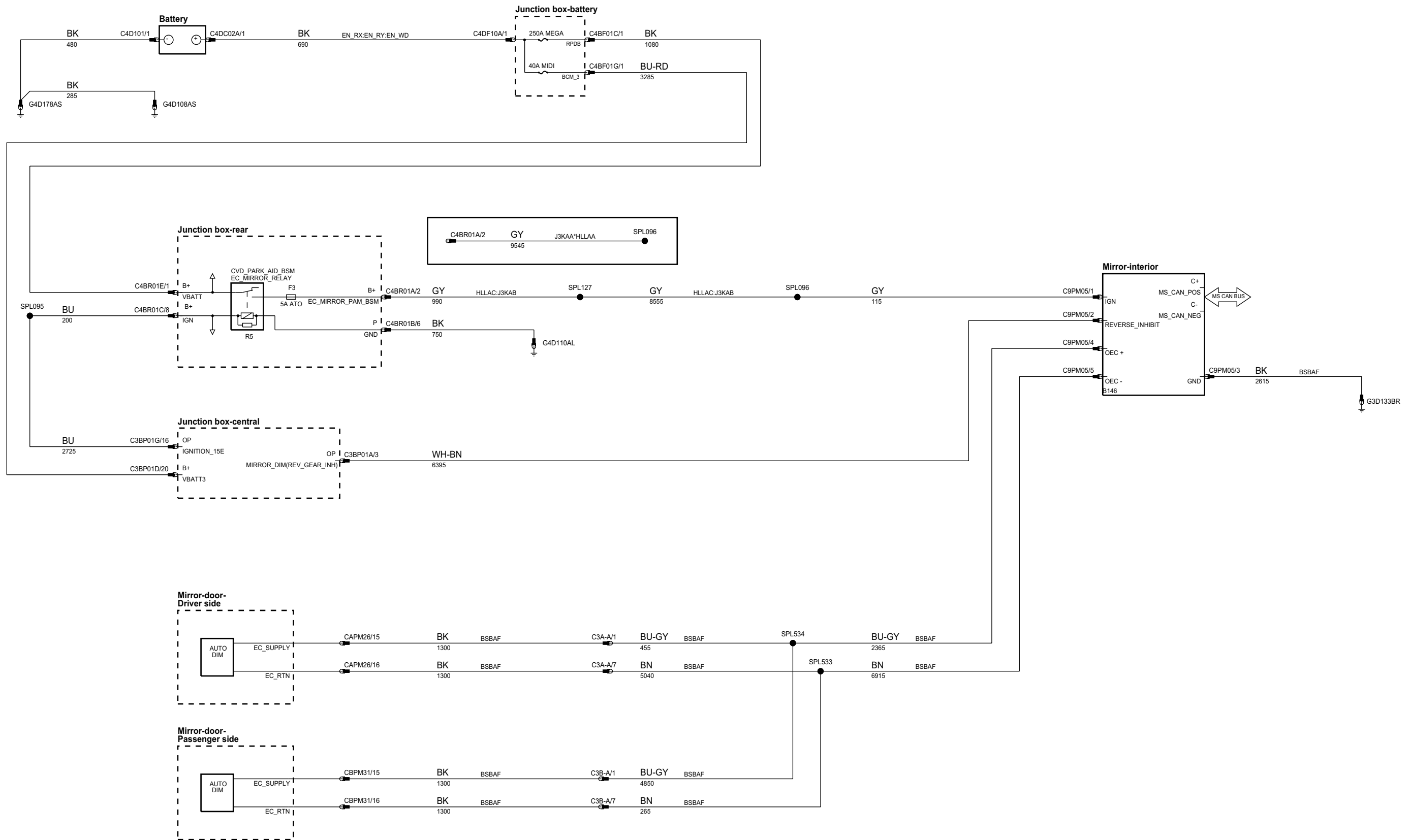
phcw93-70477-b-a3



phcw93-70101-d-a3

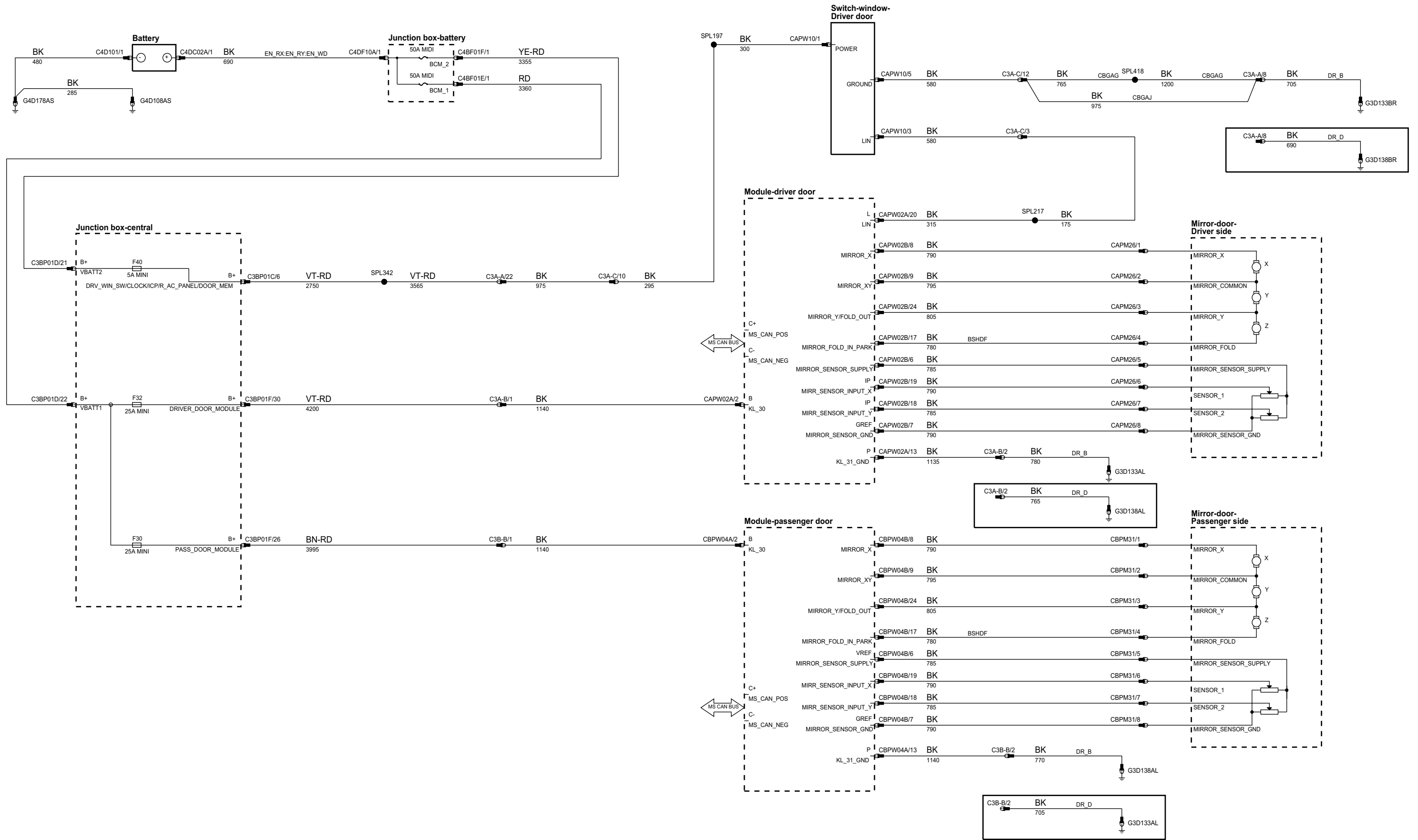


phcw93-70331-a-a3

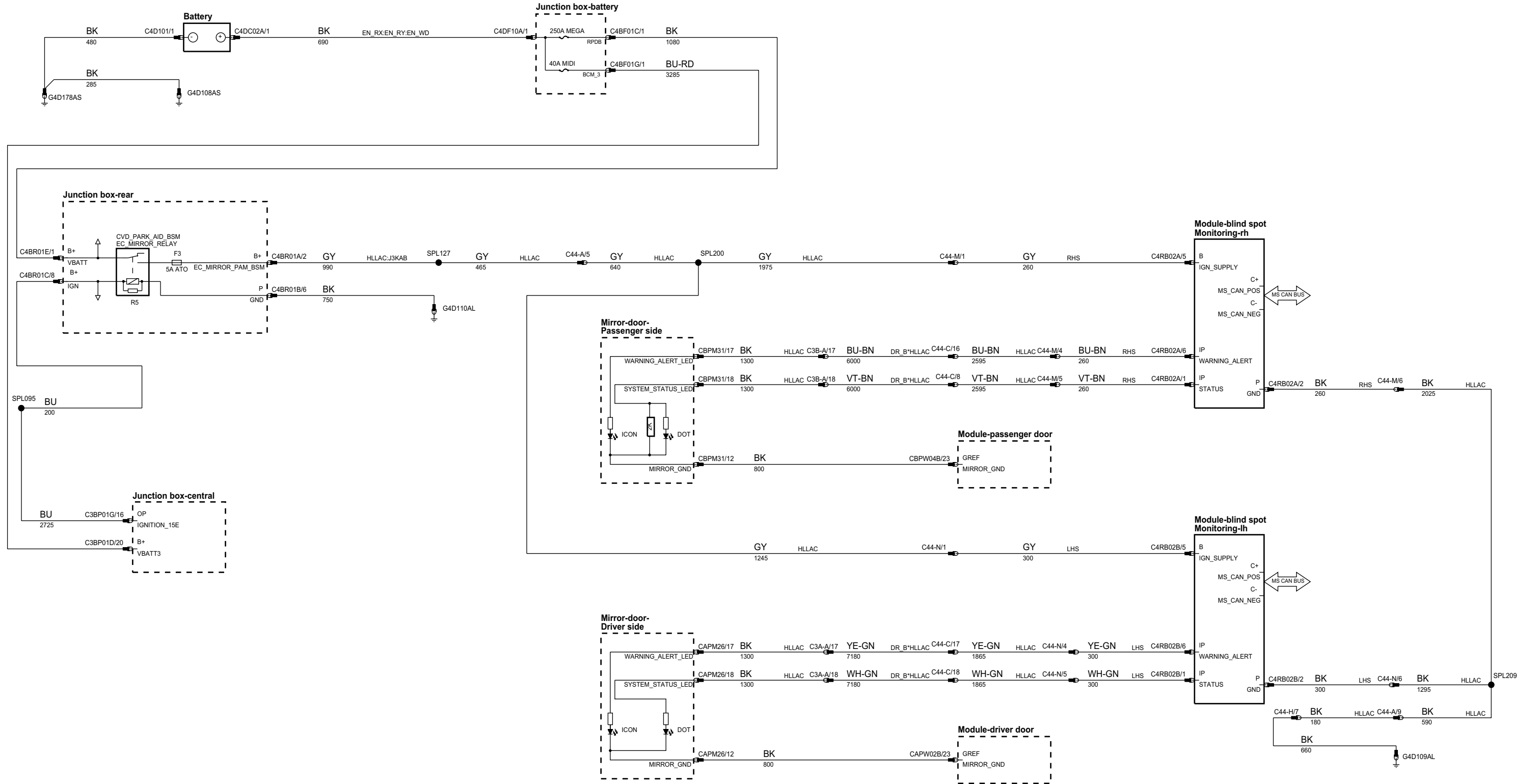


x

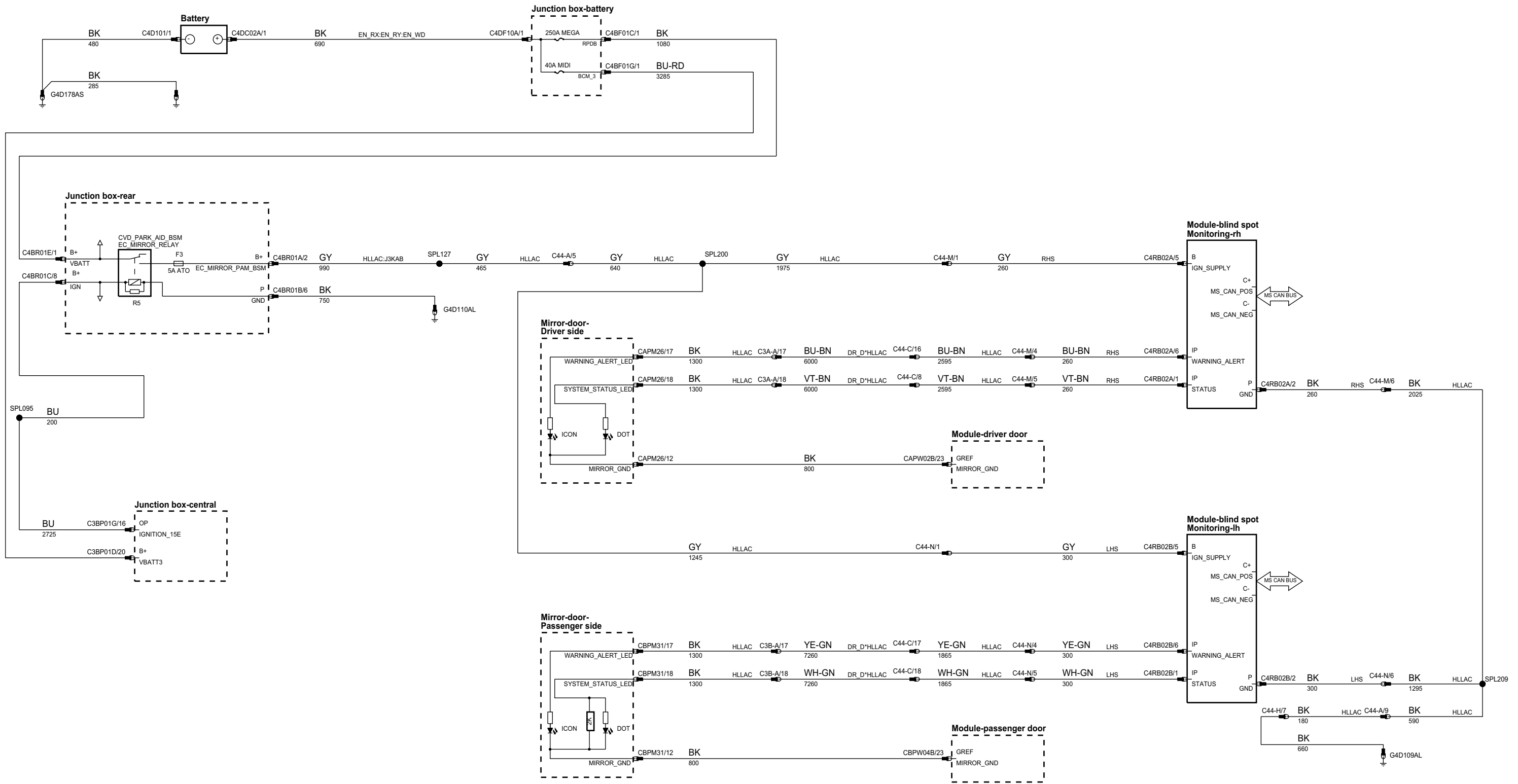
phcw93-70333-a-a3



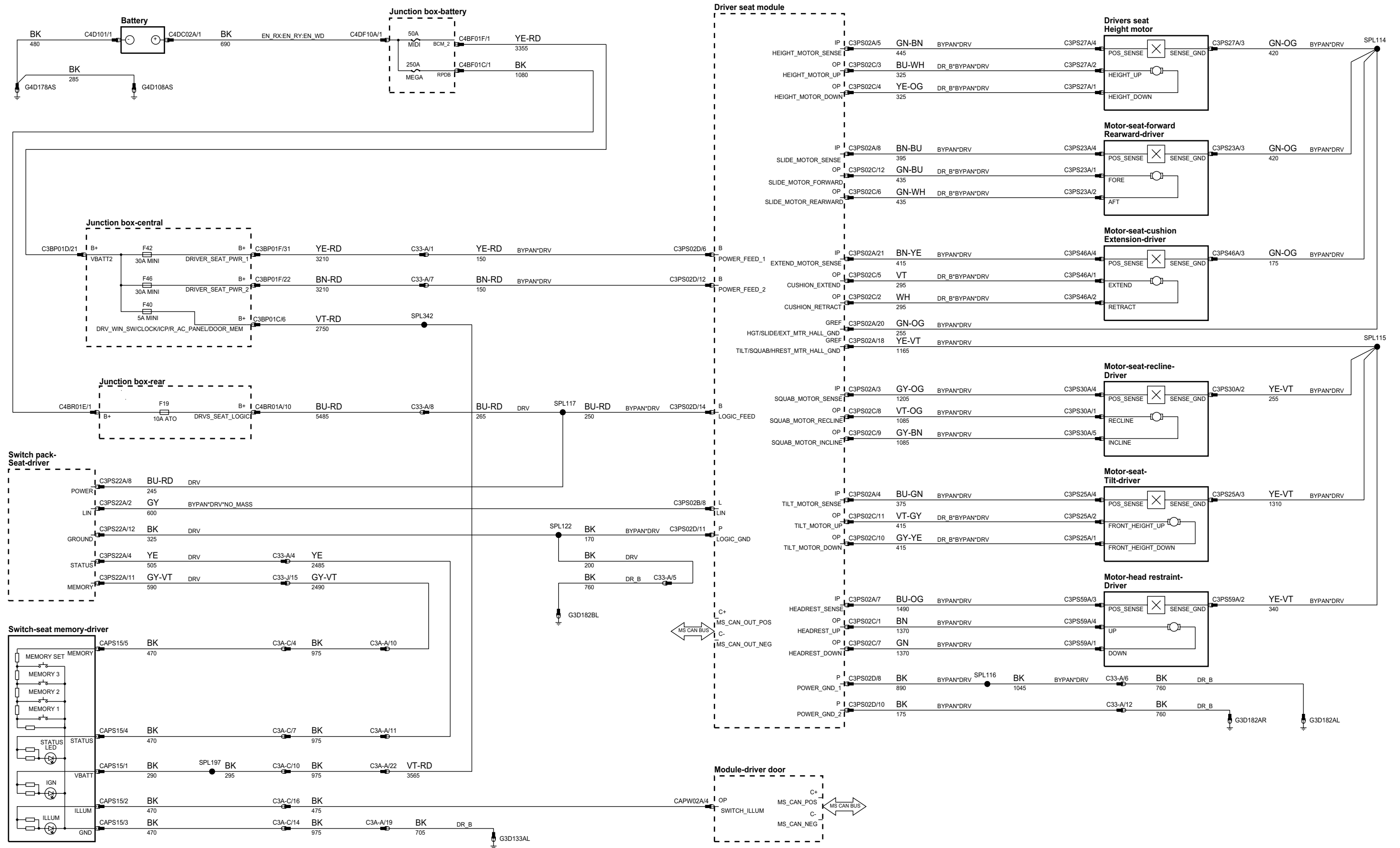
phcw93-70483-a-a3



phcw93-70483-b-a3

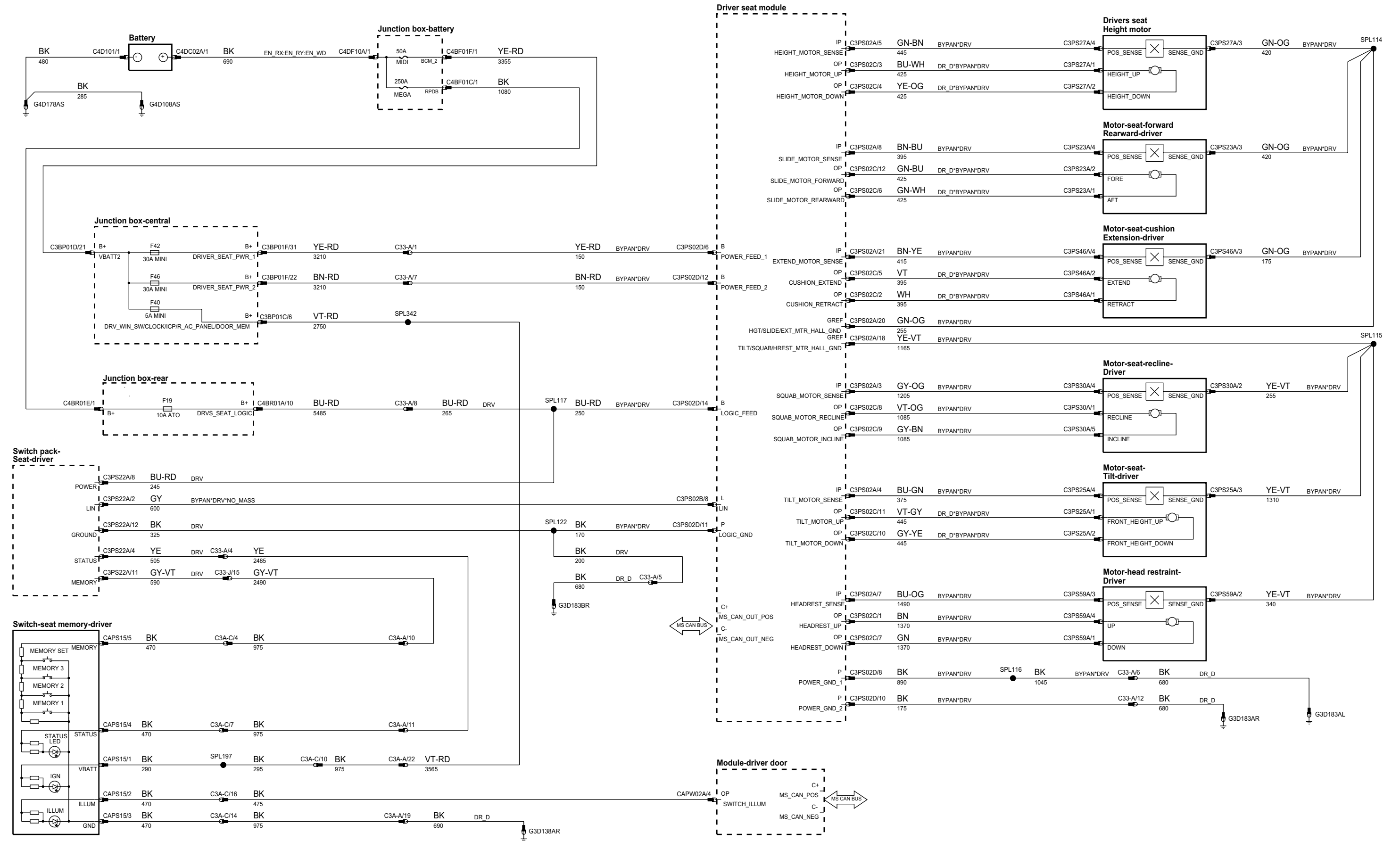


phcw93-70346-c-a3

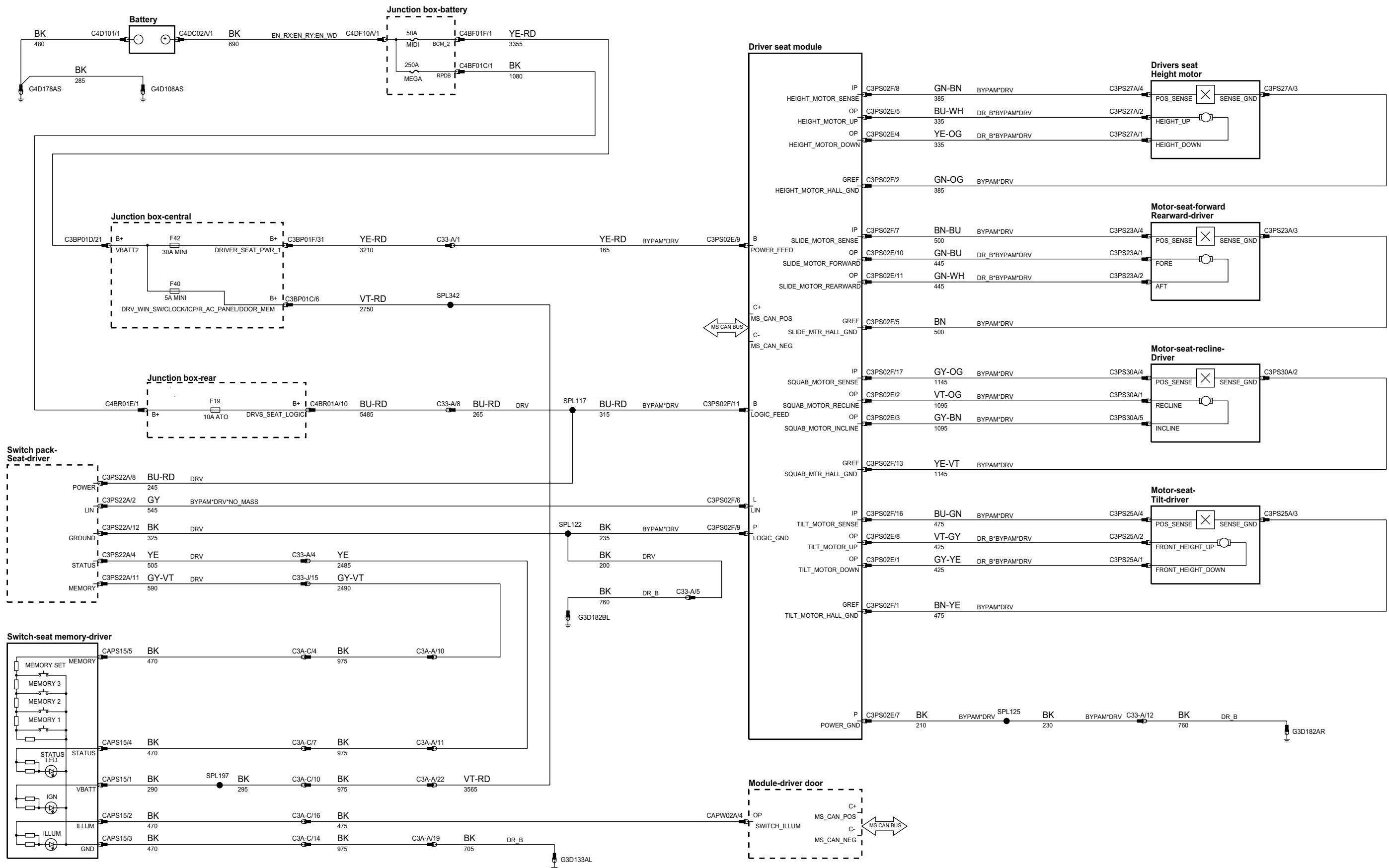




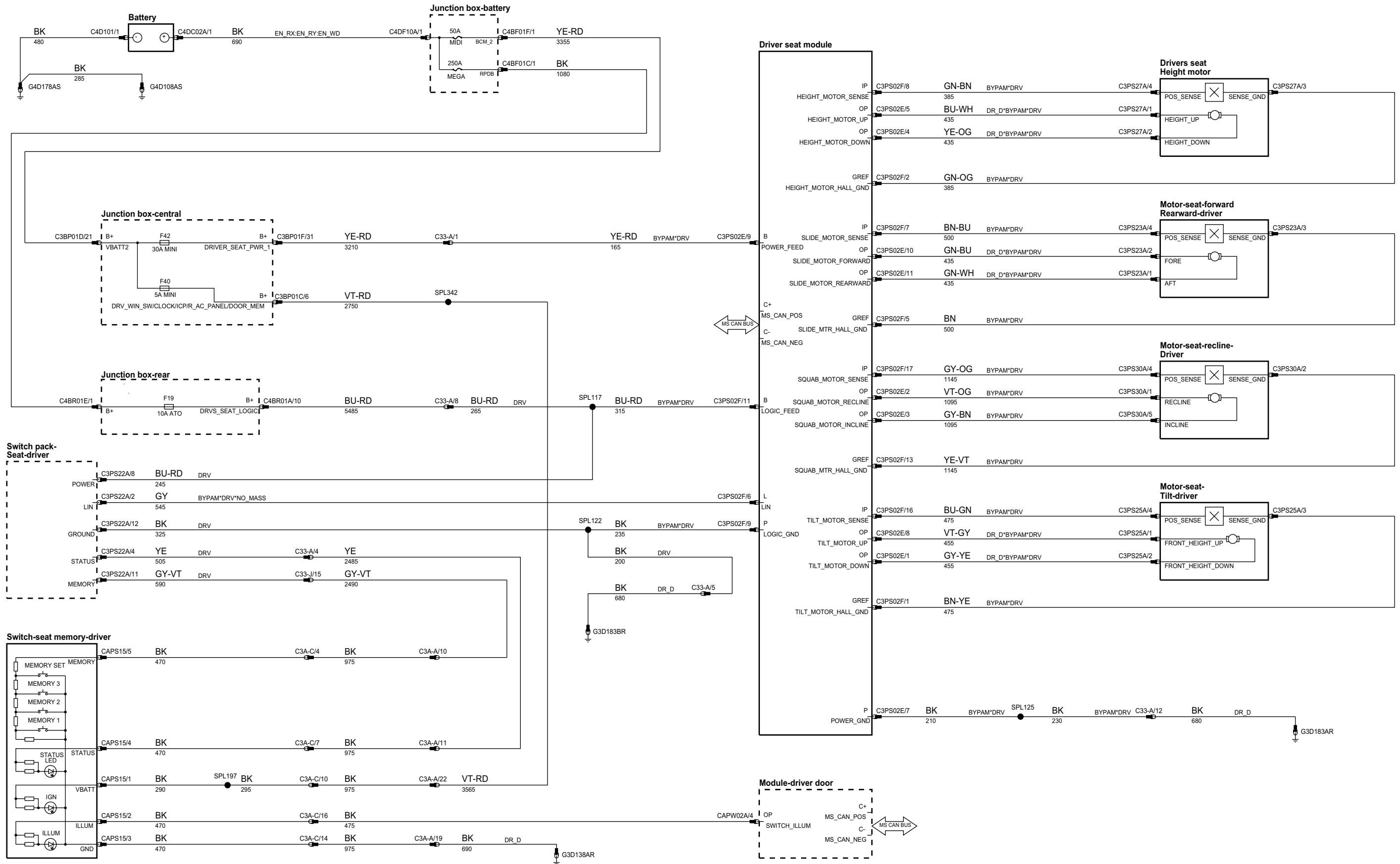
phcw93-70346-d-a3



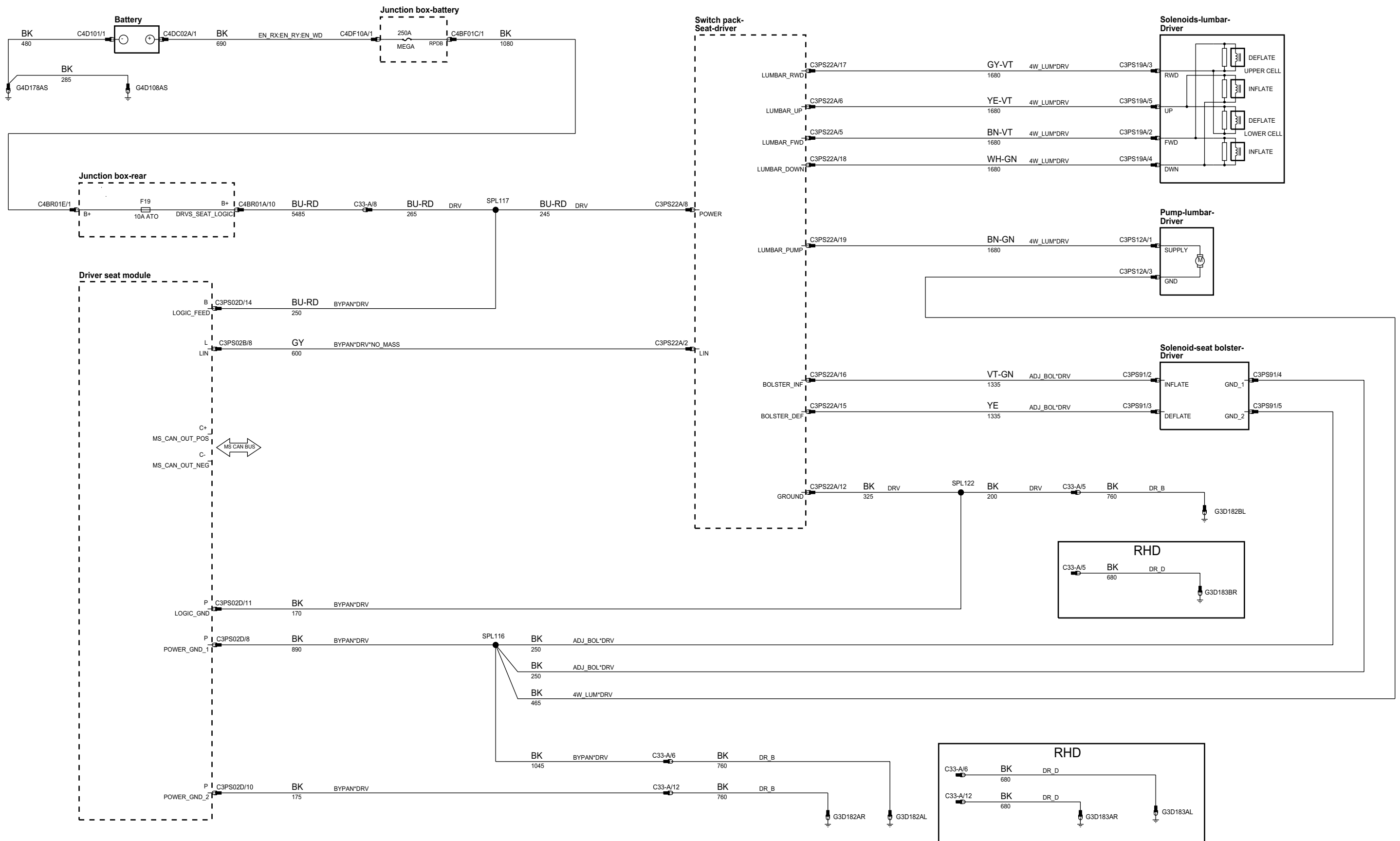
phcw93-70346-e-a3



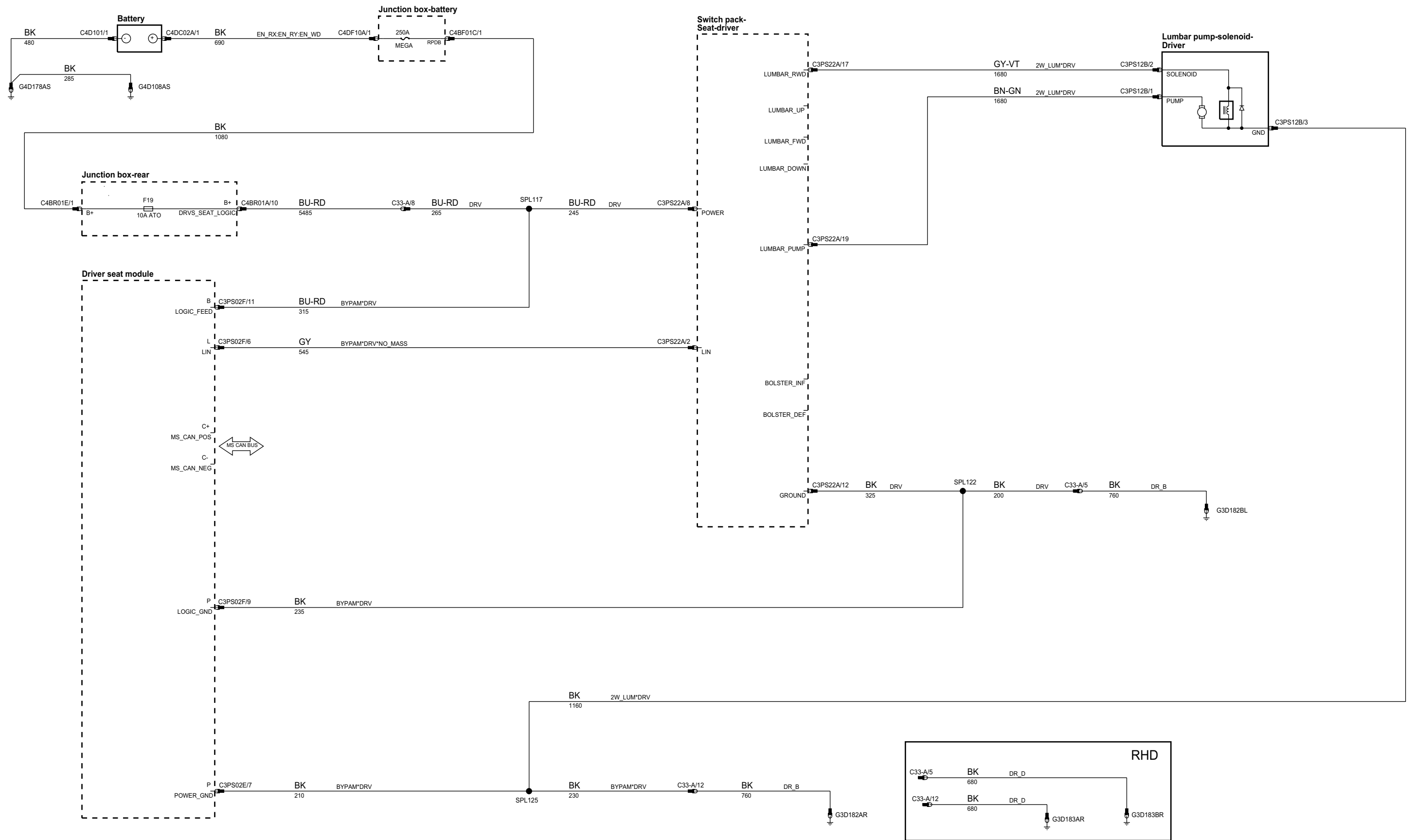
phcw93-70346-f-a3



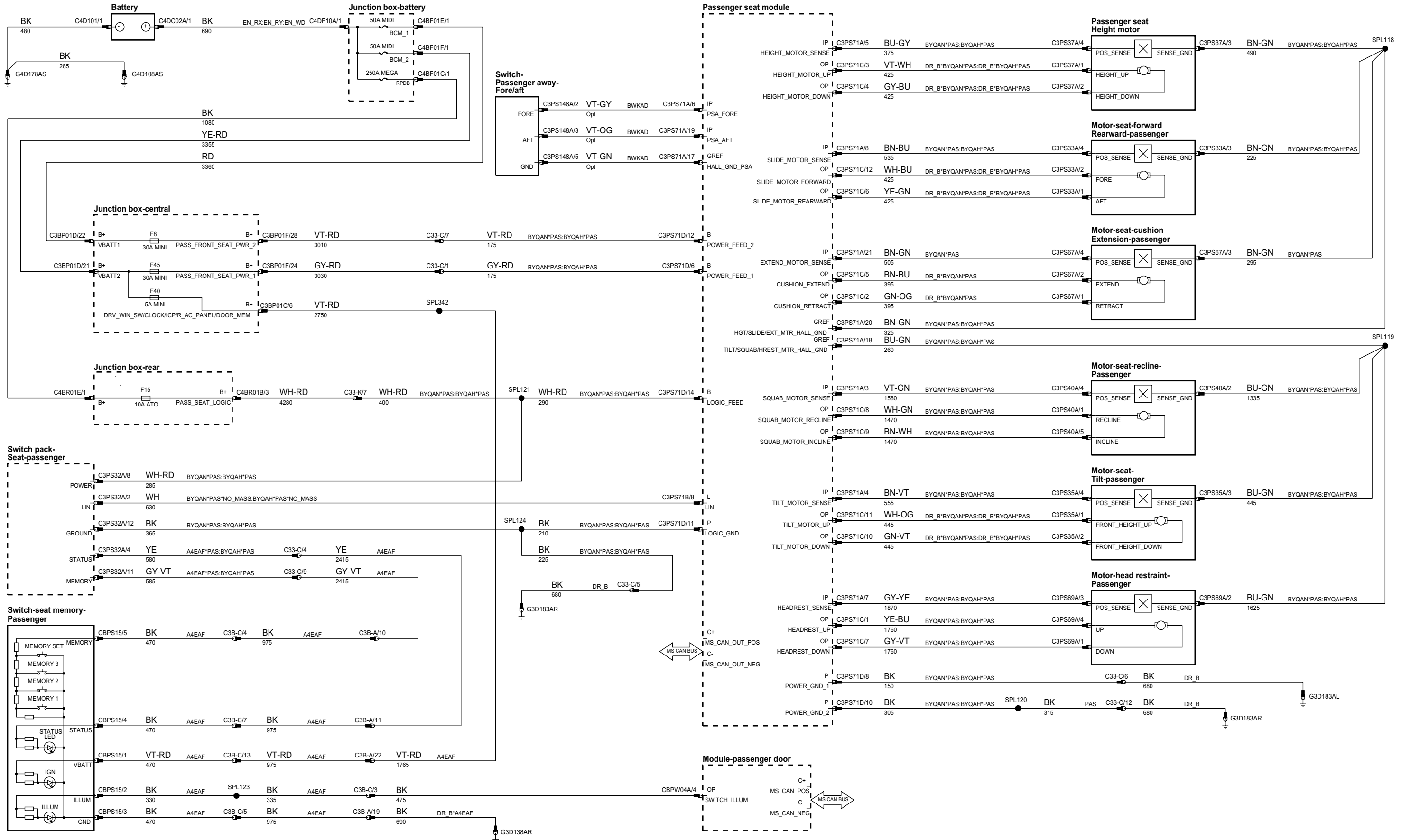
phcw93-70348-a-a3



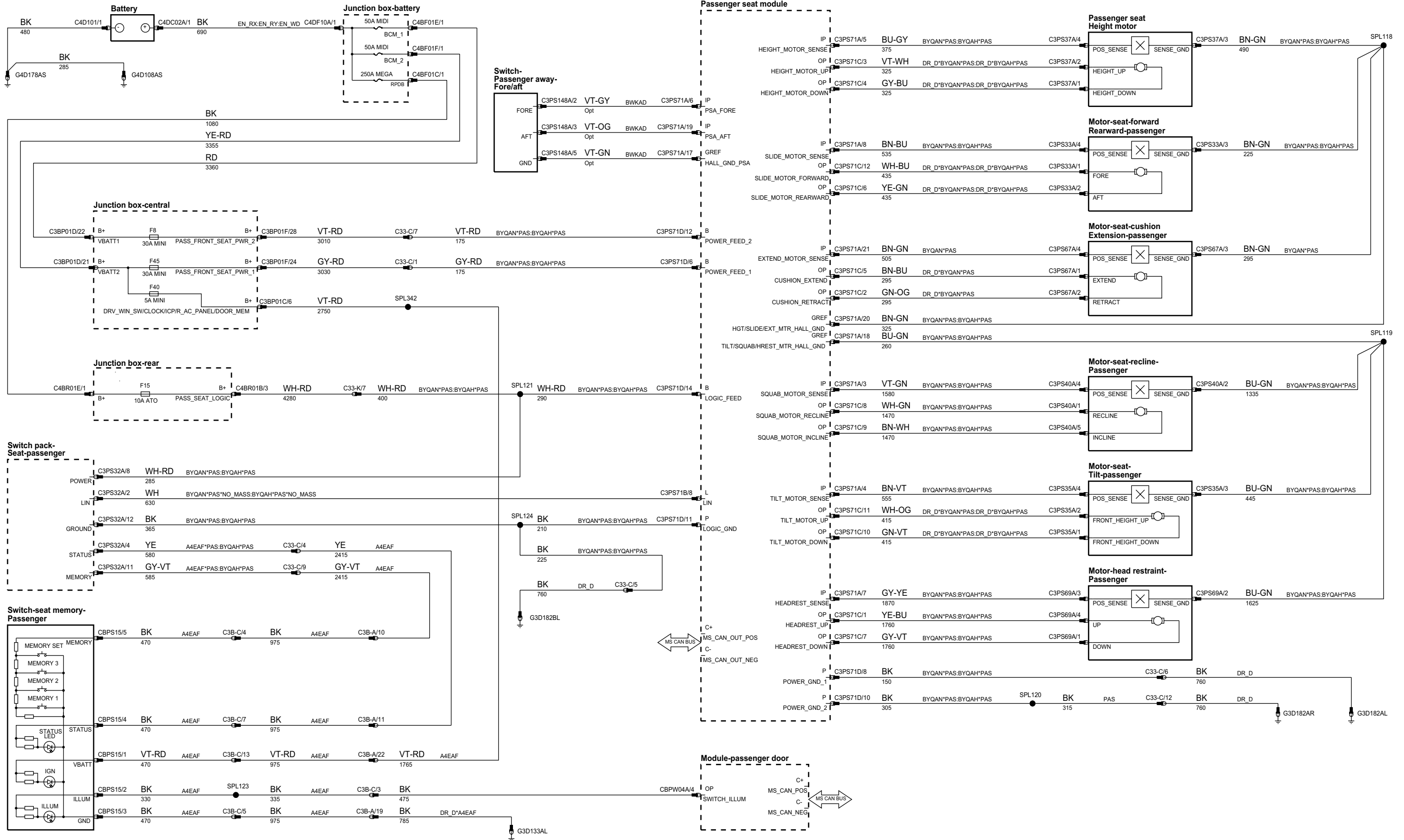
phcw93-70348-c-a3



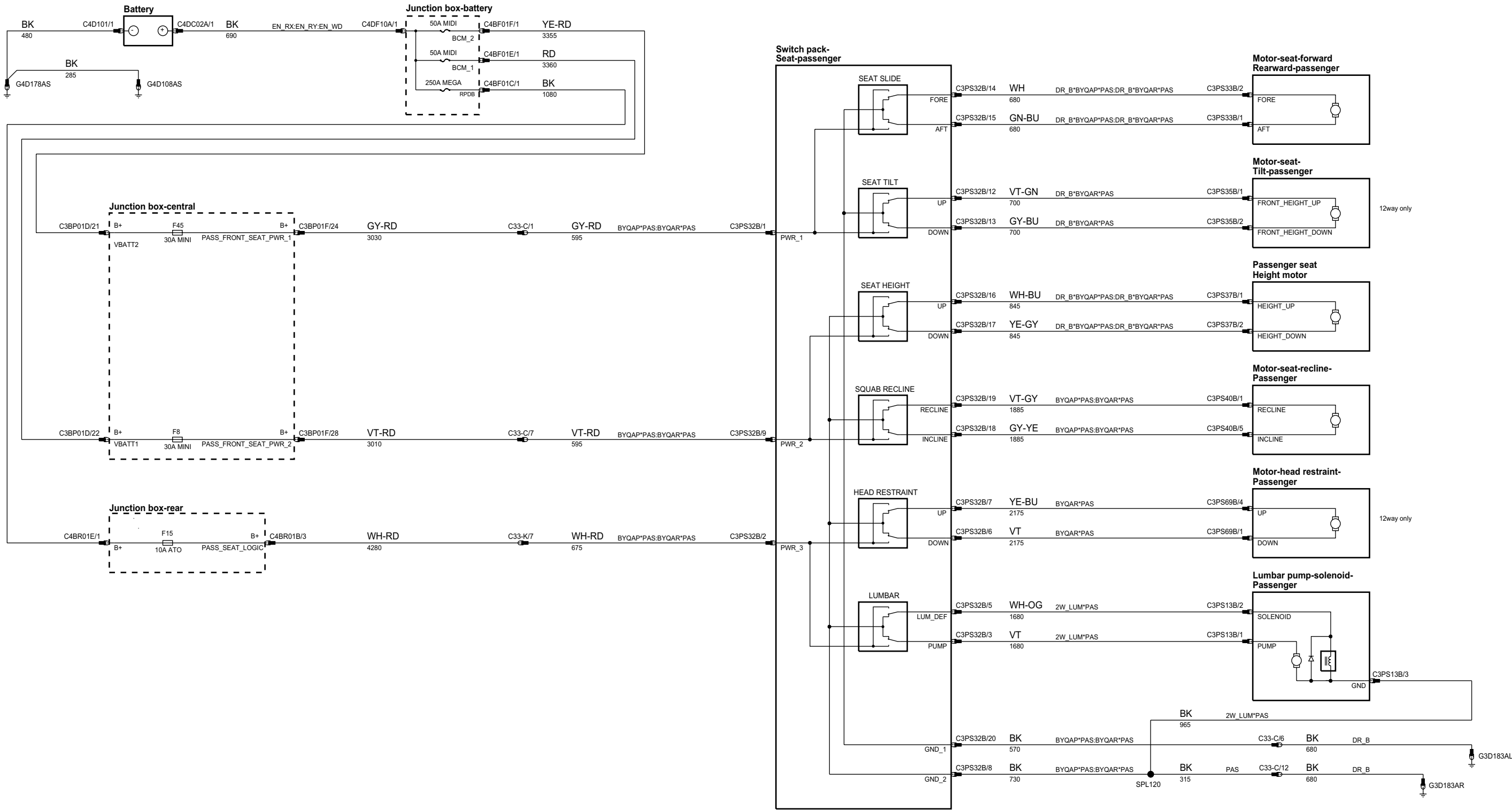
phcw93-70346-a-a3



phcw93-70346-b-a3

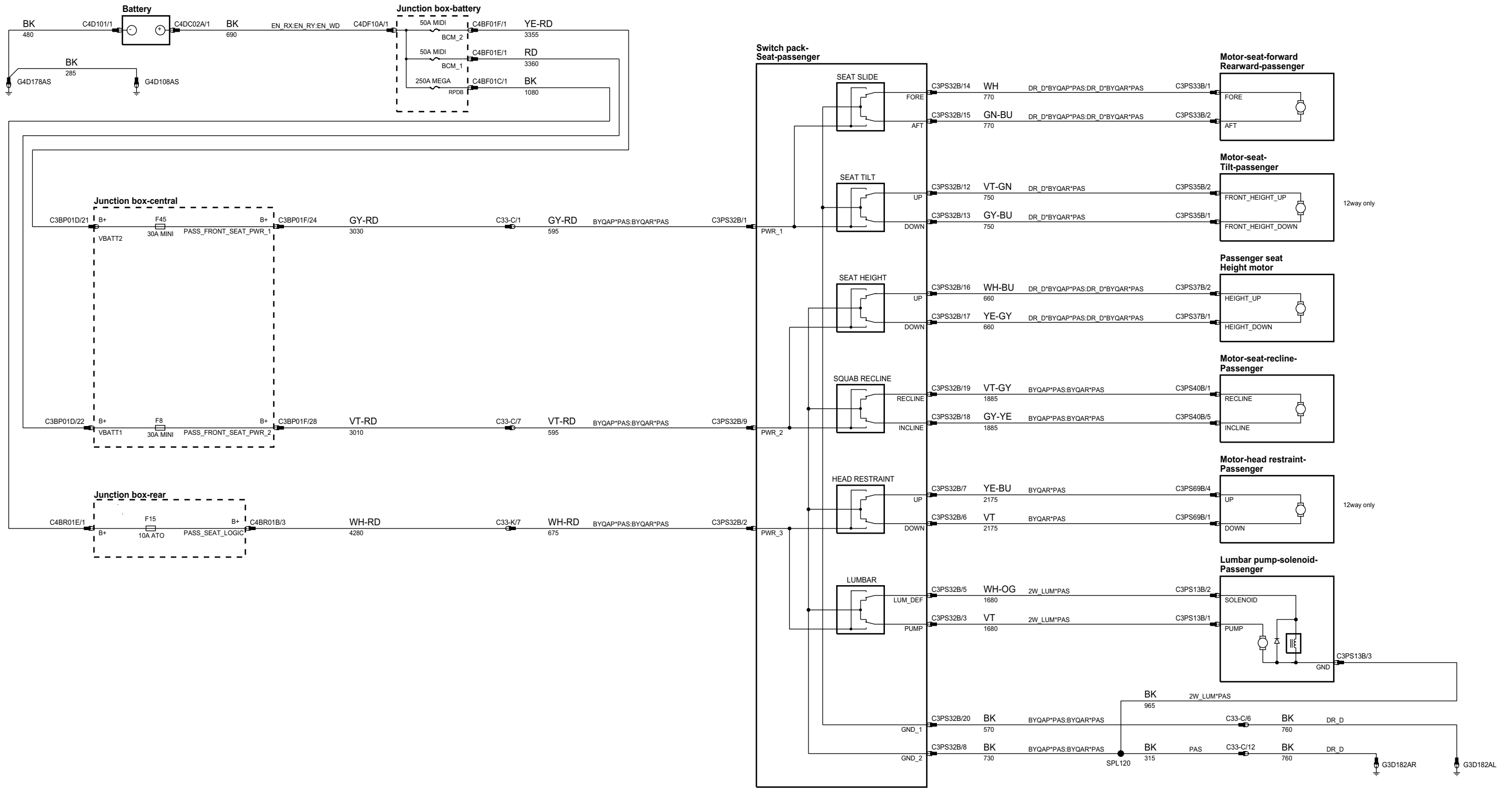


phcw93-70343-a-a3

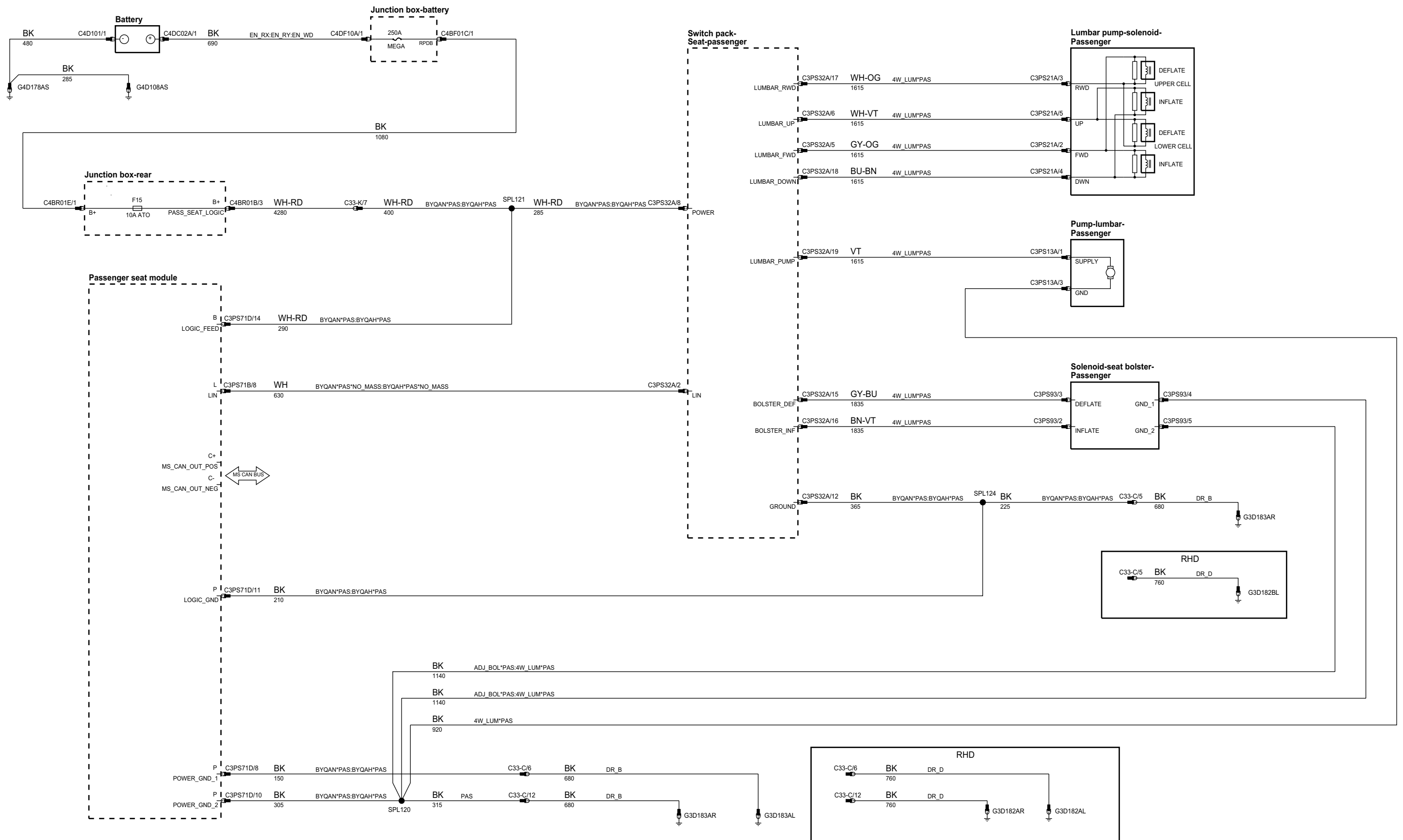




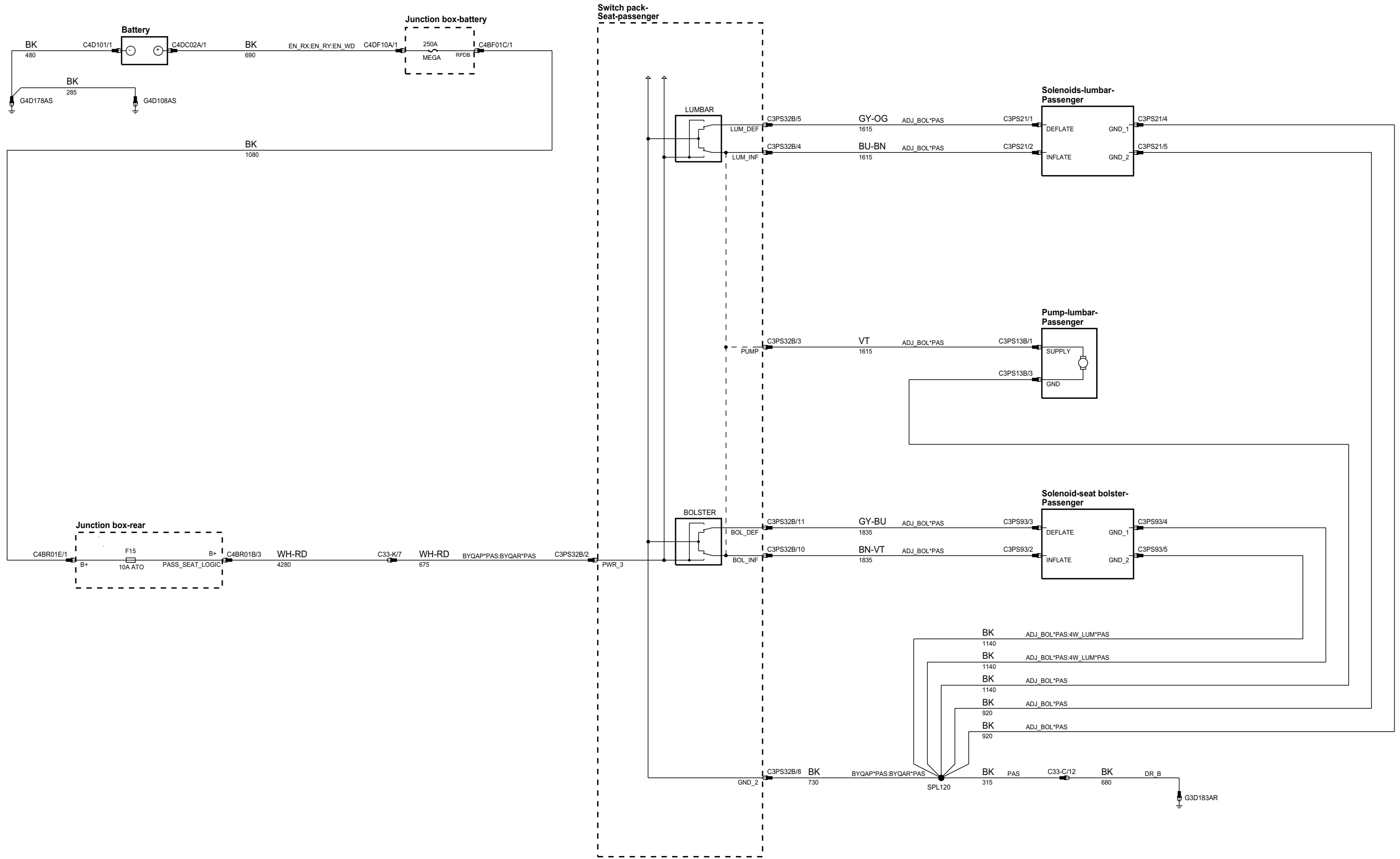
phcw93-70343-b-a3



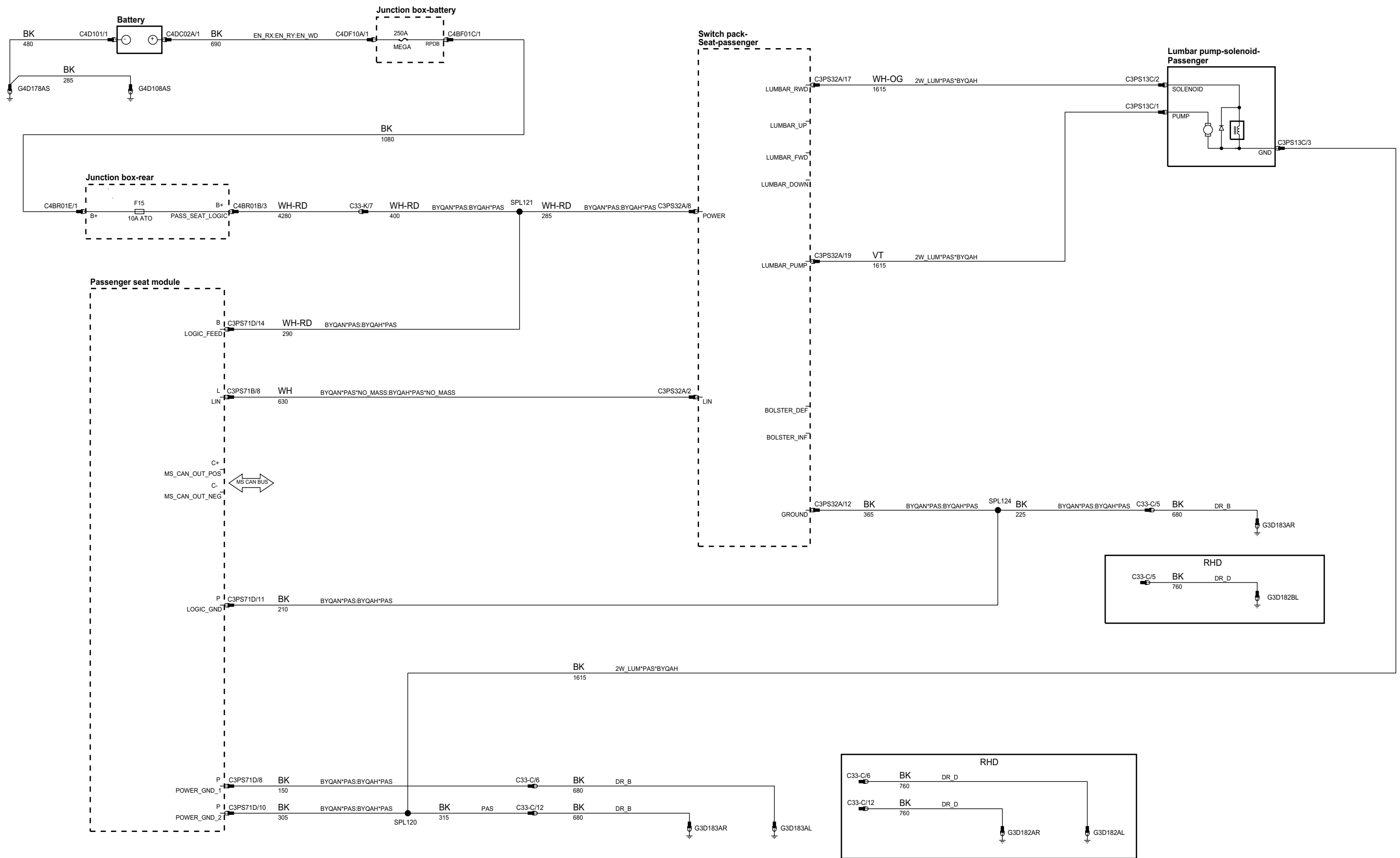
phcw93-70348-b-a3



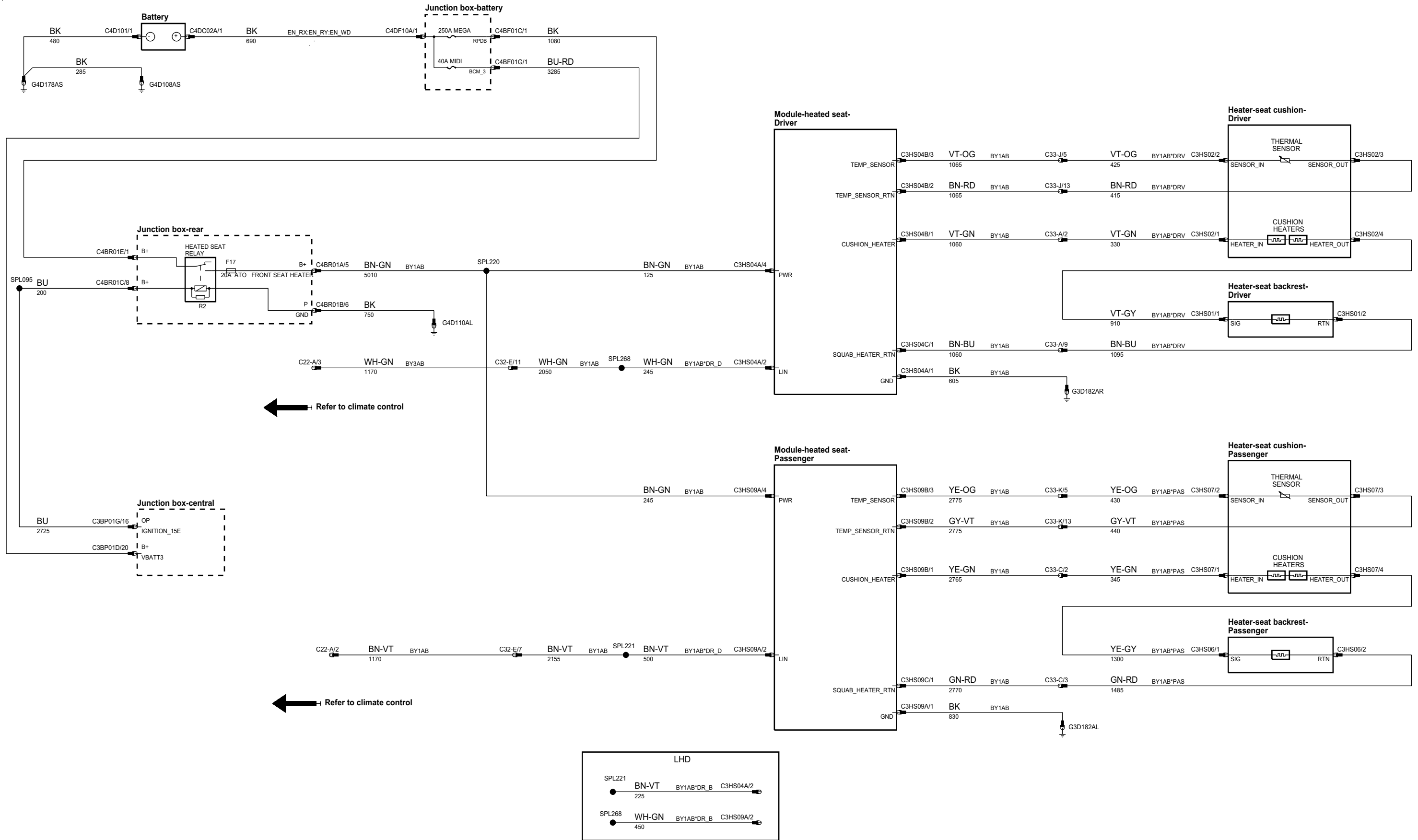
phcw93-70348-d-a3



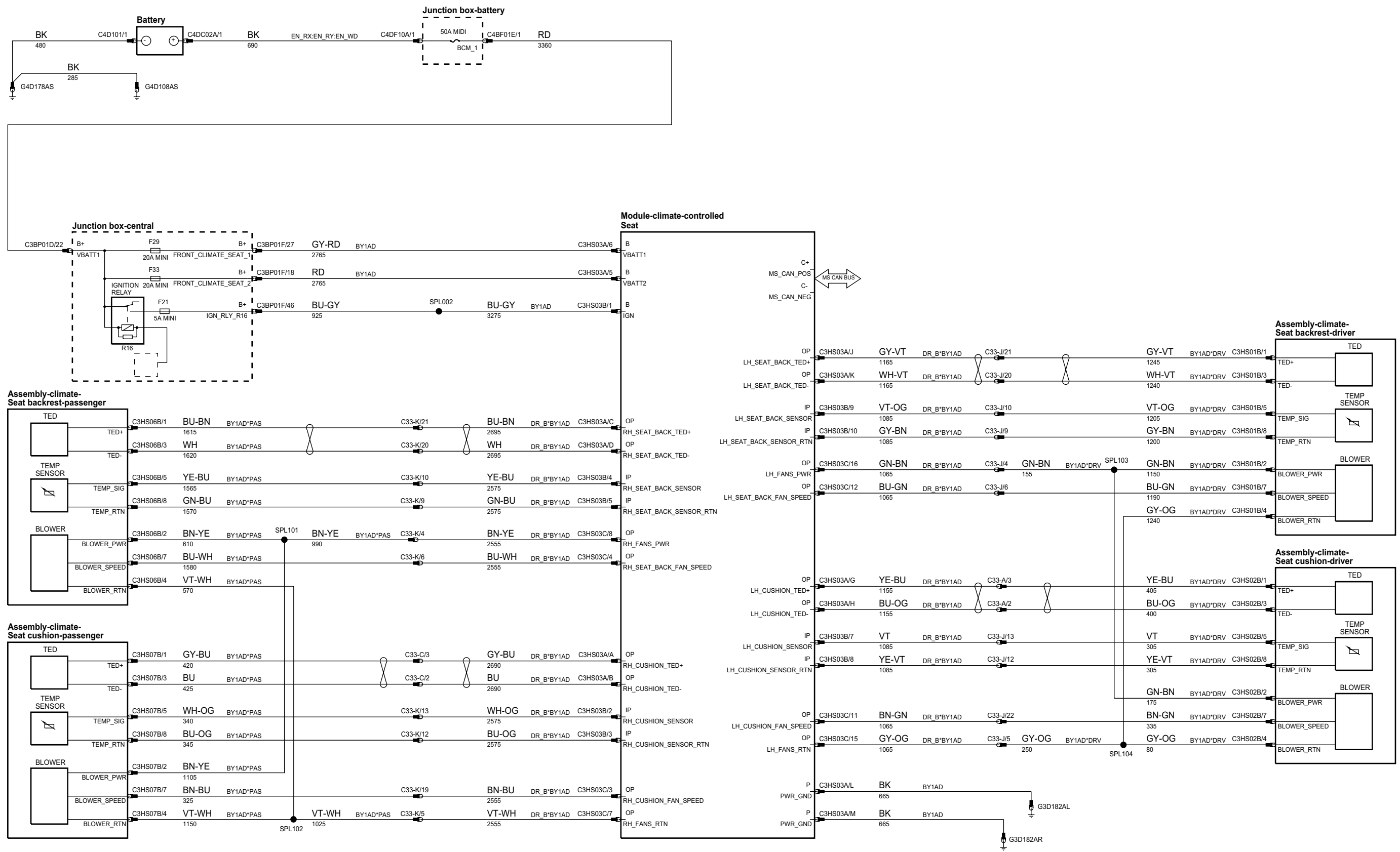
phcw93-70348-h-a3



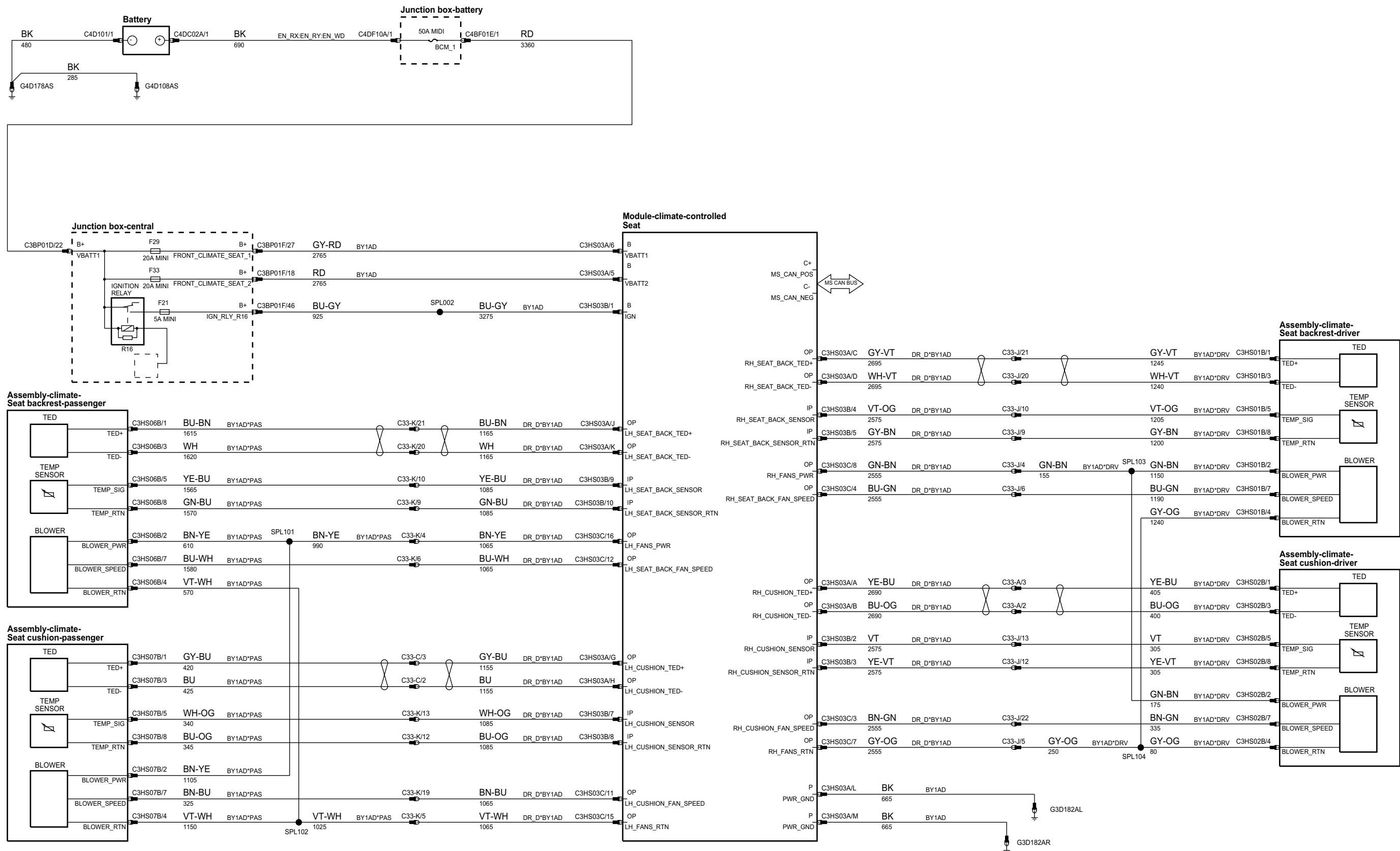
phcw93-70347-d-a3



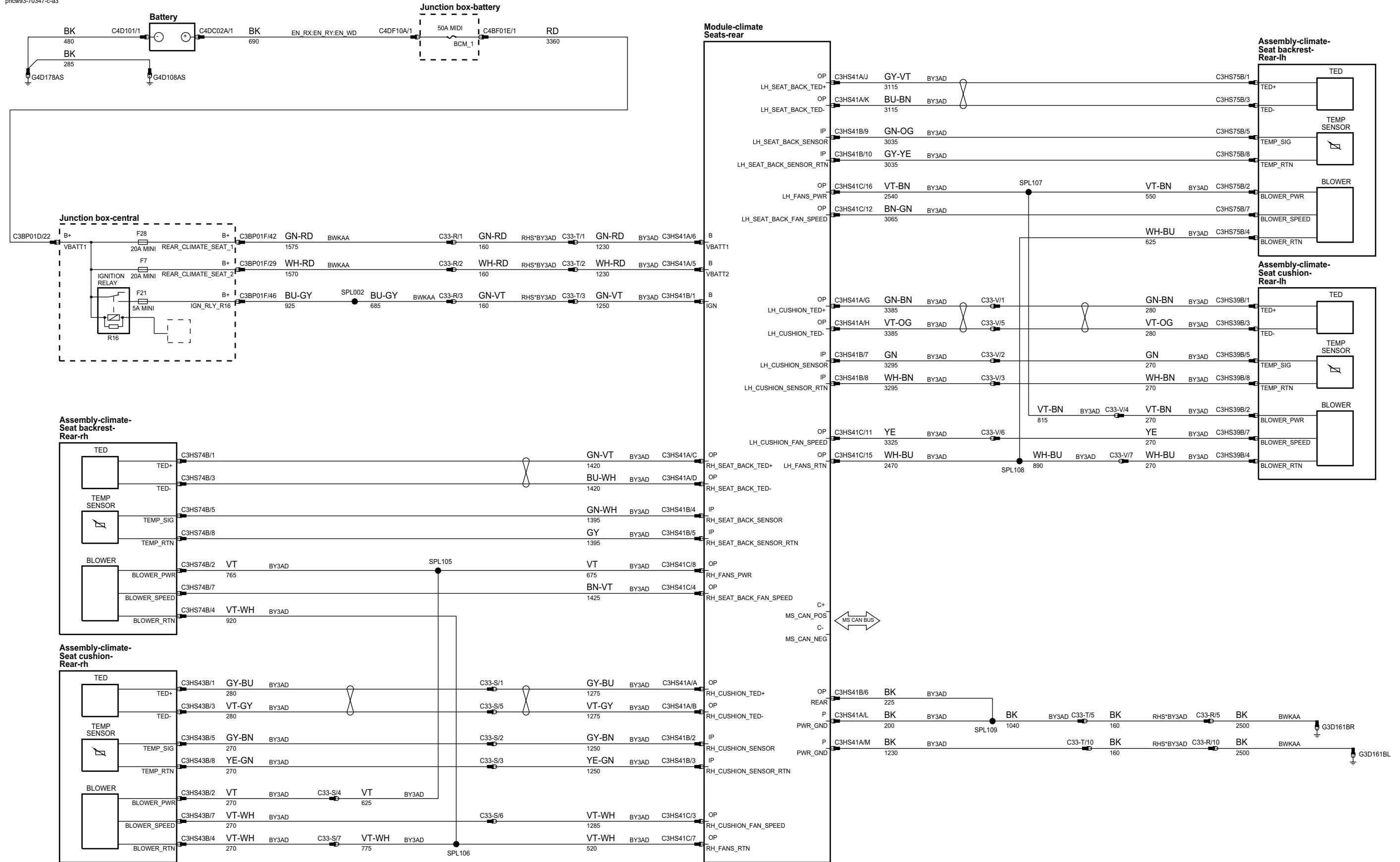
phcw93-70347-a-a3



phcw93-70347-b-a3

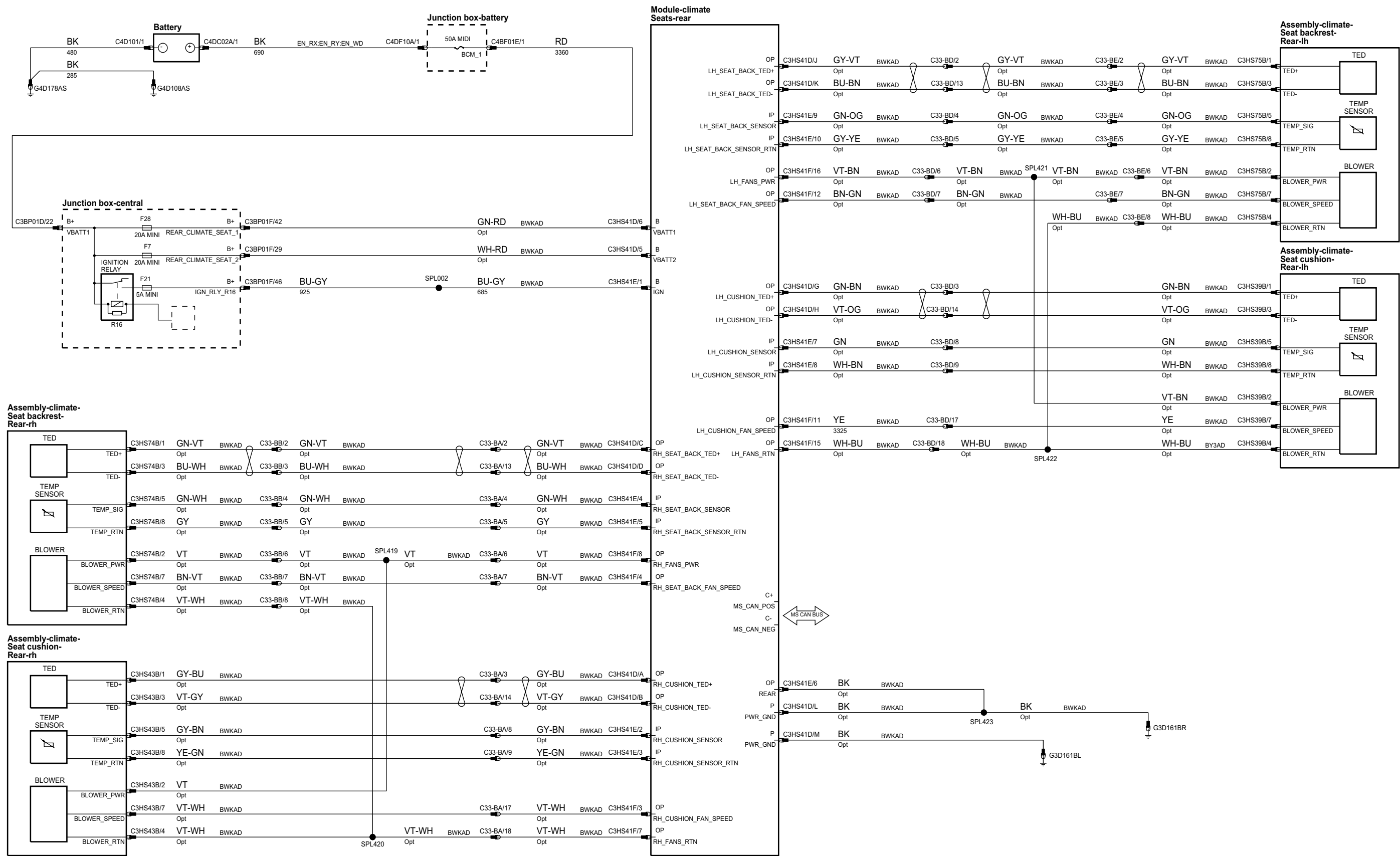


phcw93-70347-c-a3

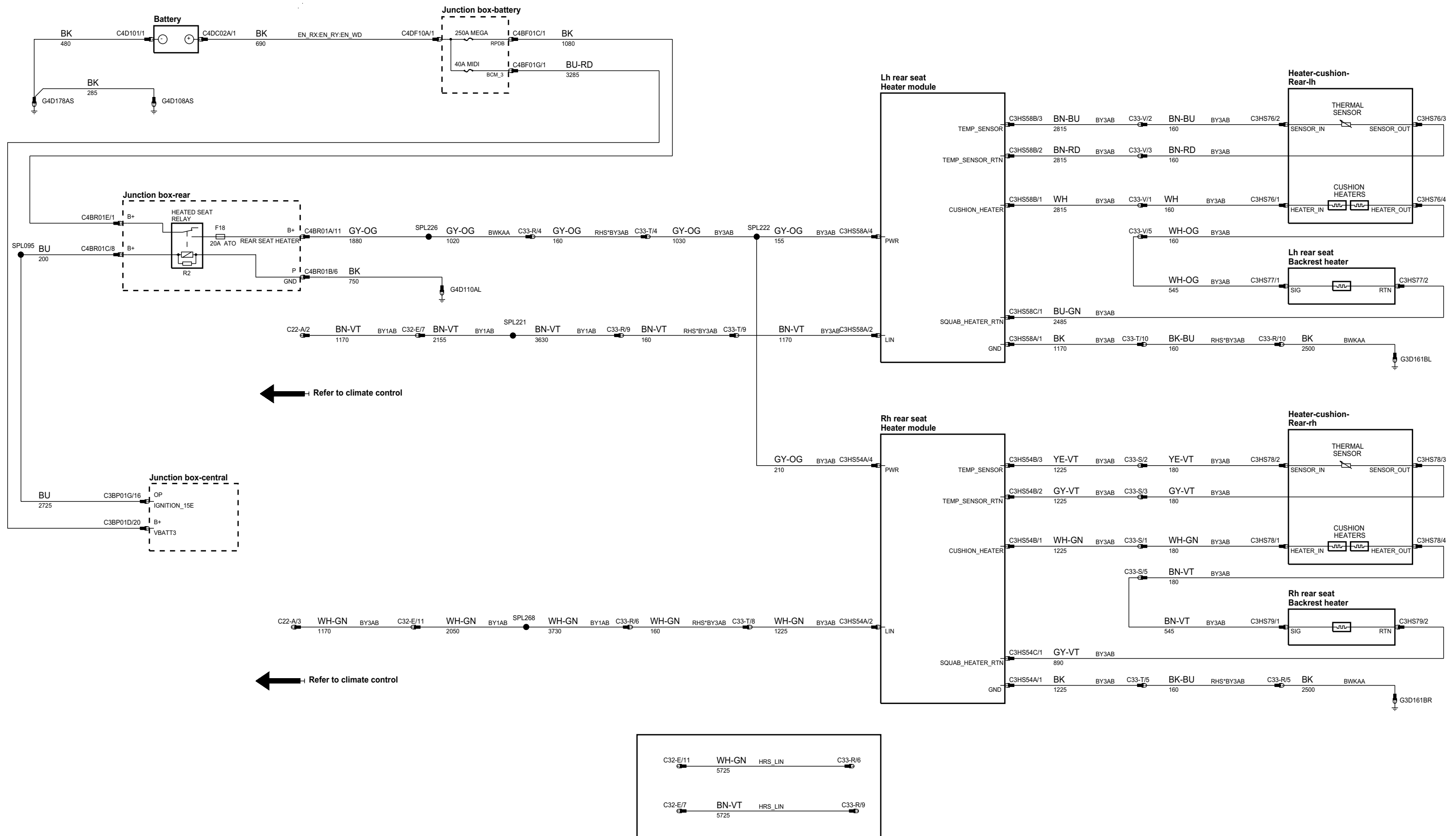




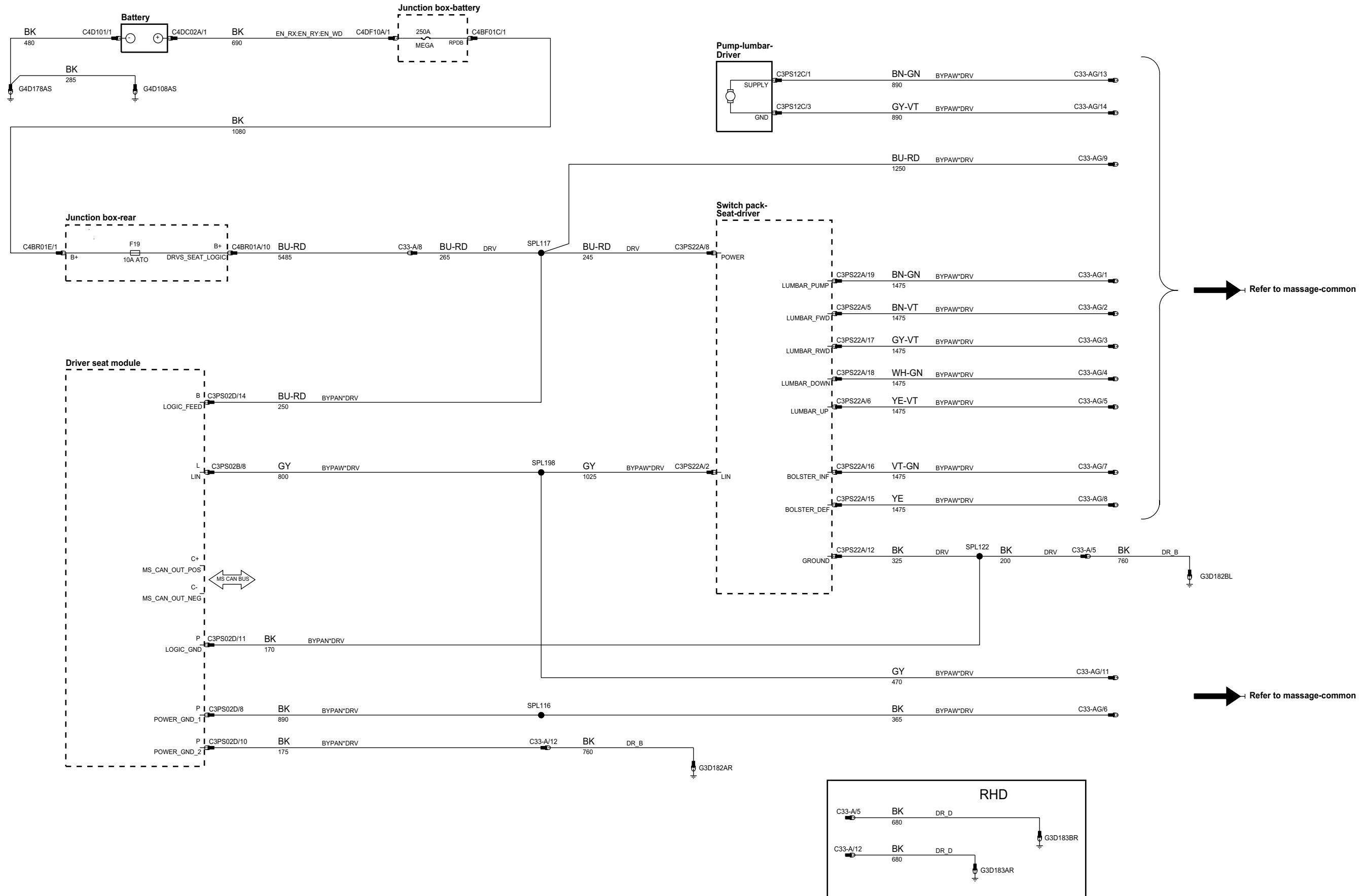
phcw93-70347-f-a3



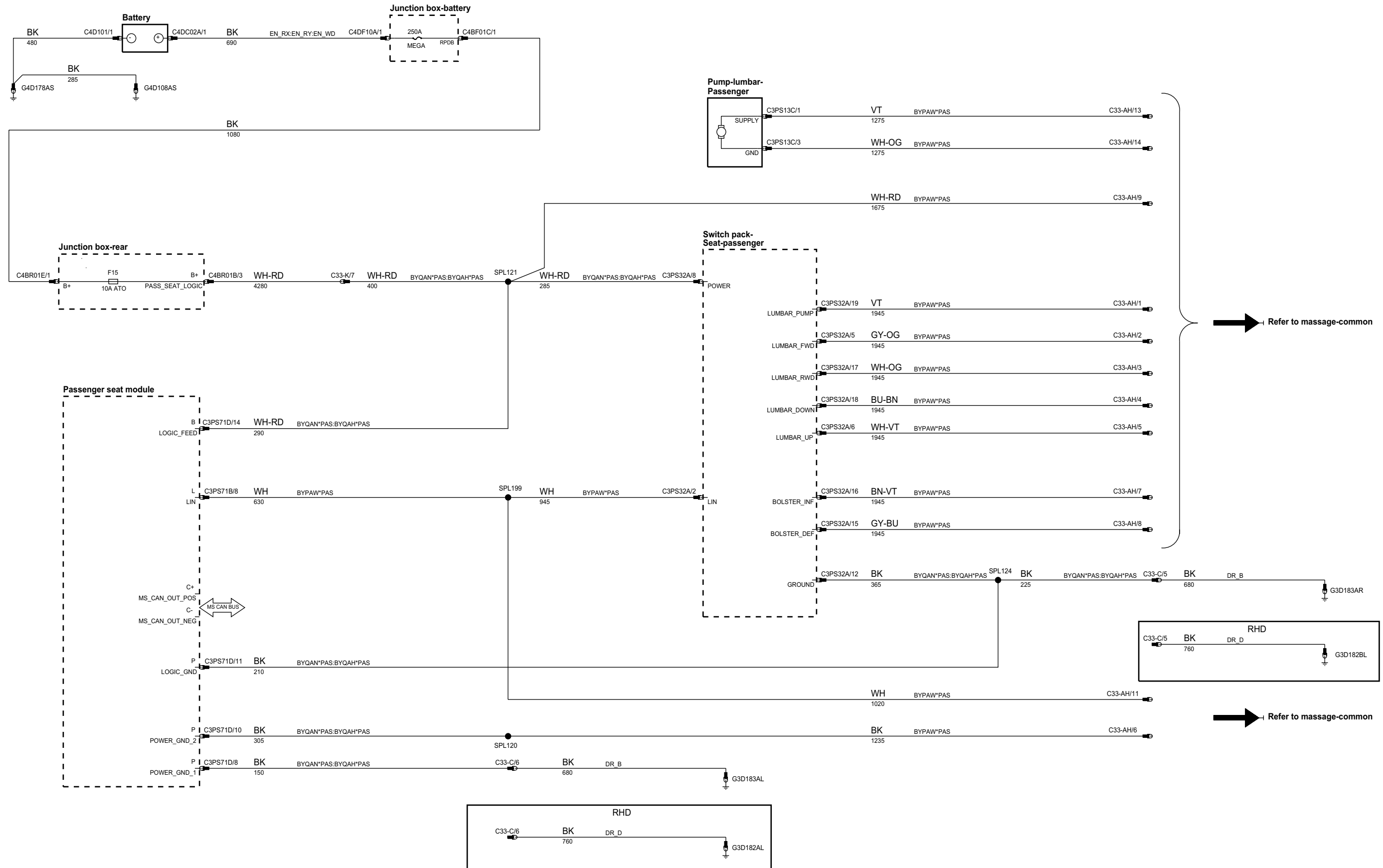
phcw93-70347-e-a3



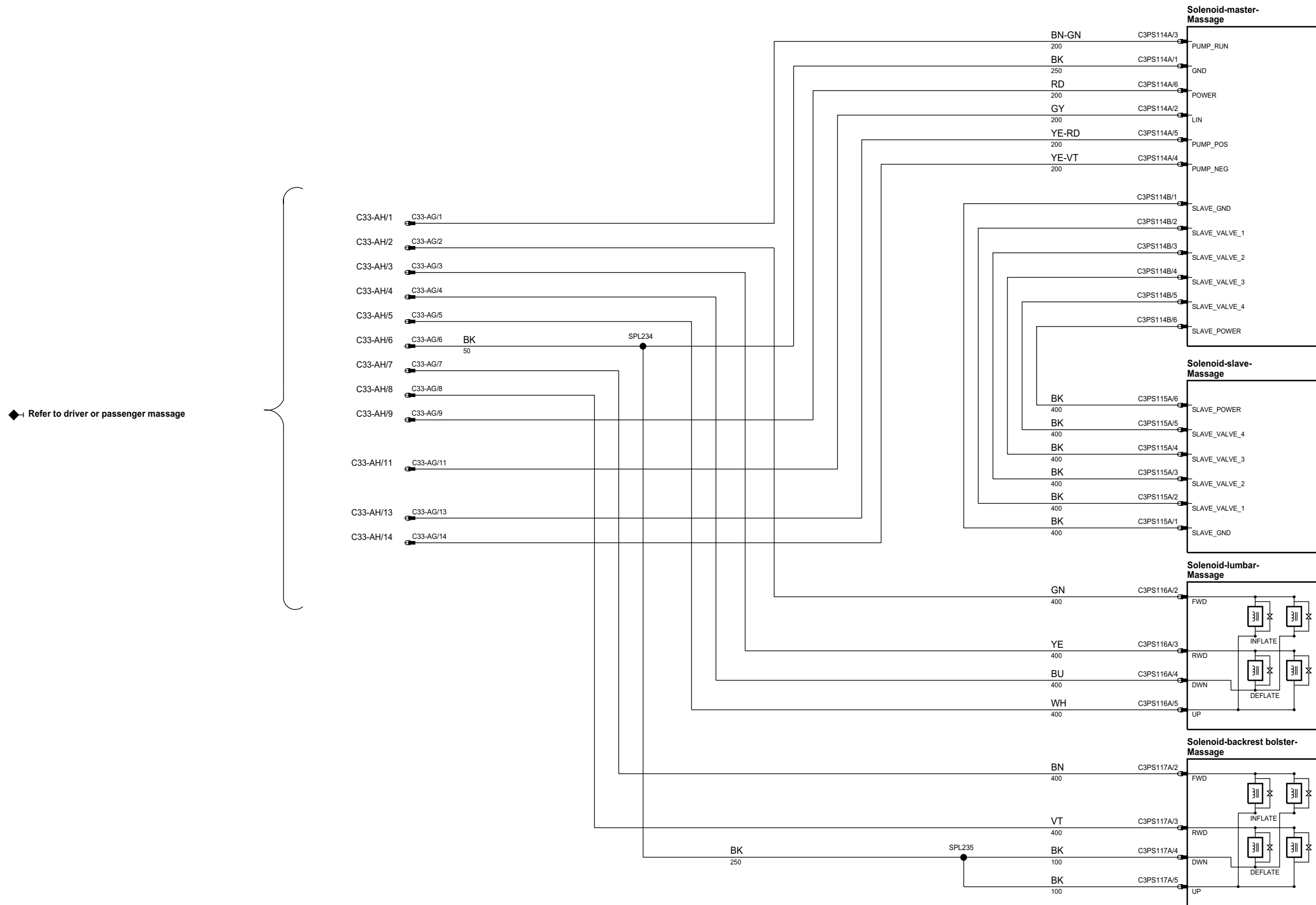
phcw93-70348-e-a3



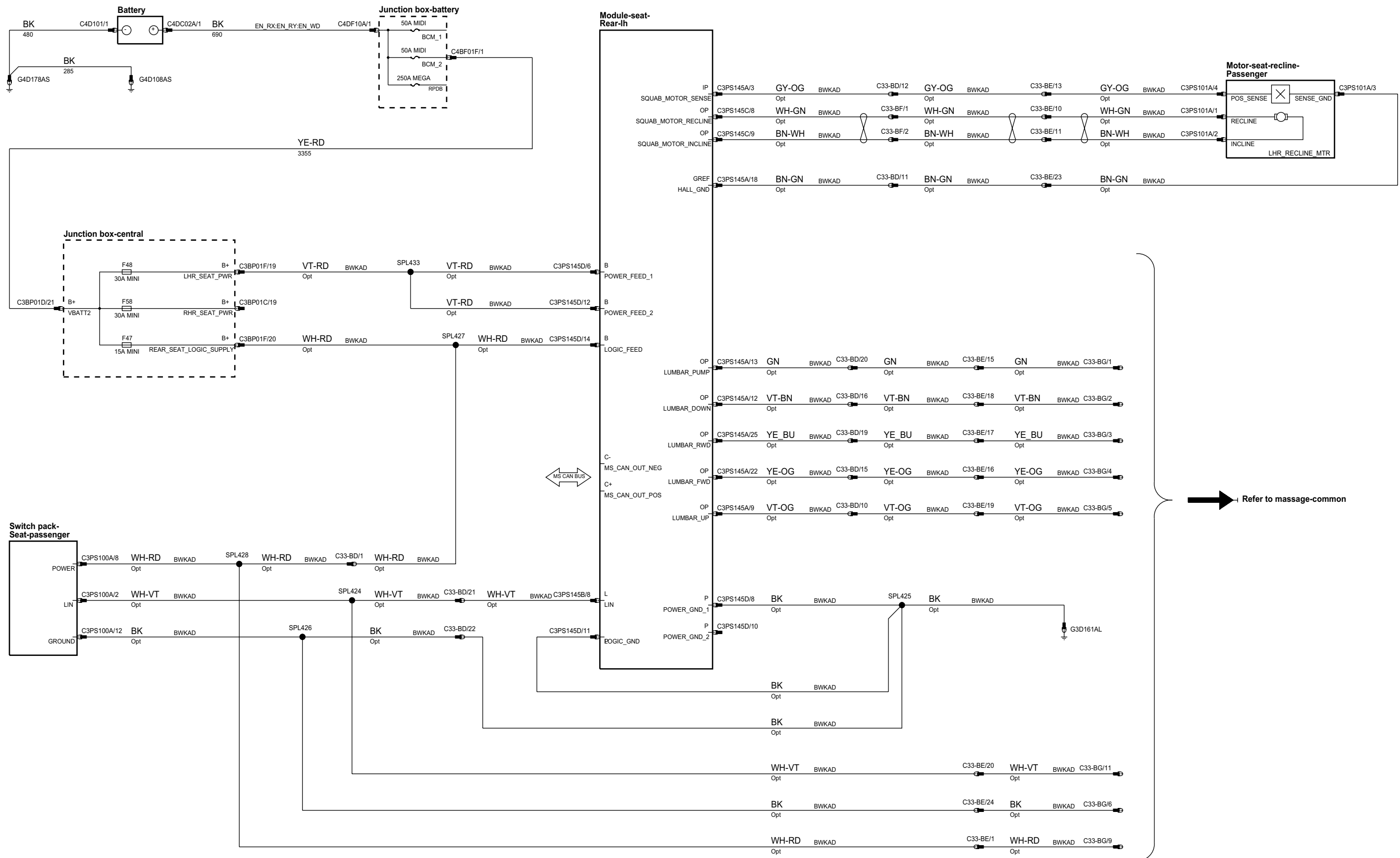
phcw93-70348-f-a3



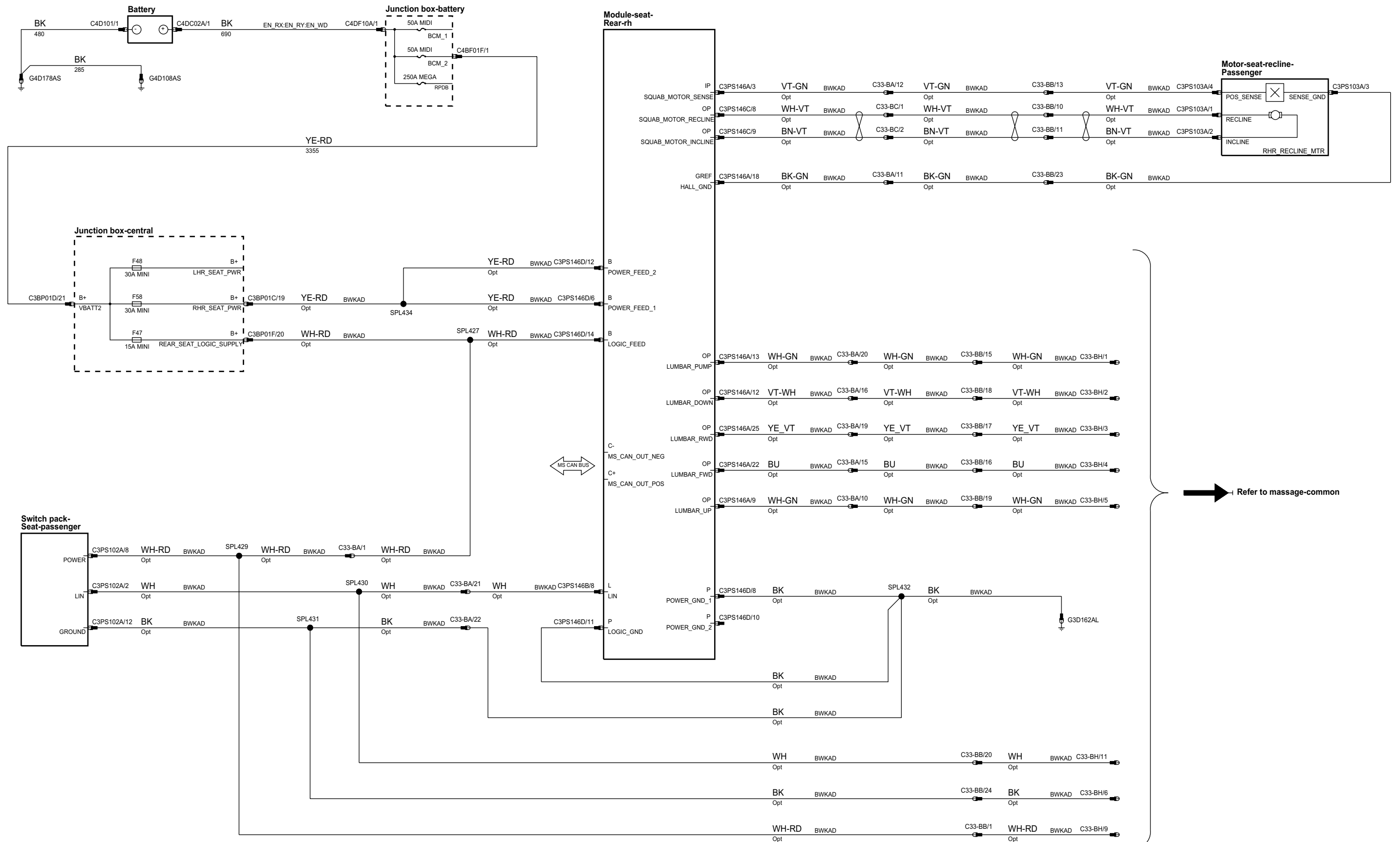
phcw93-70348-g-a3



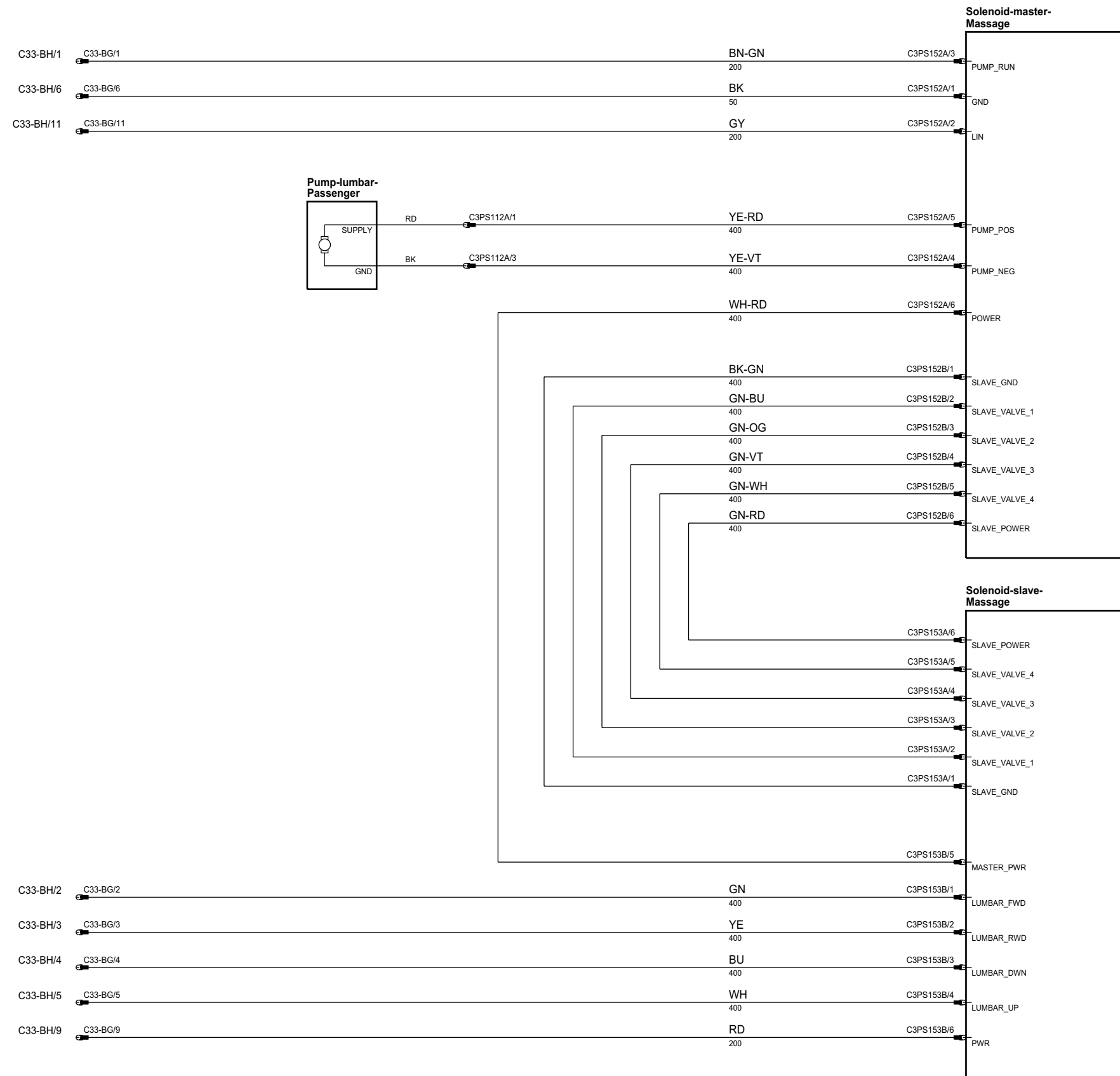
phcw93-70349-a-a3



phcw93-70349-b-a3



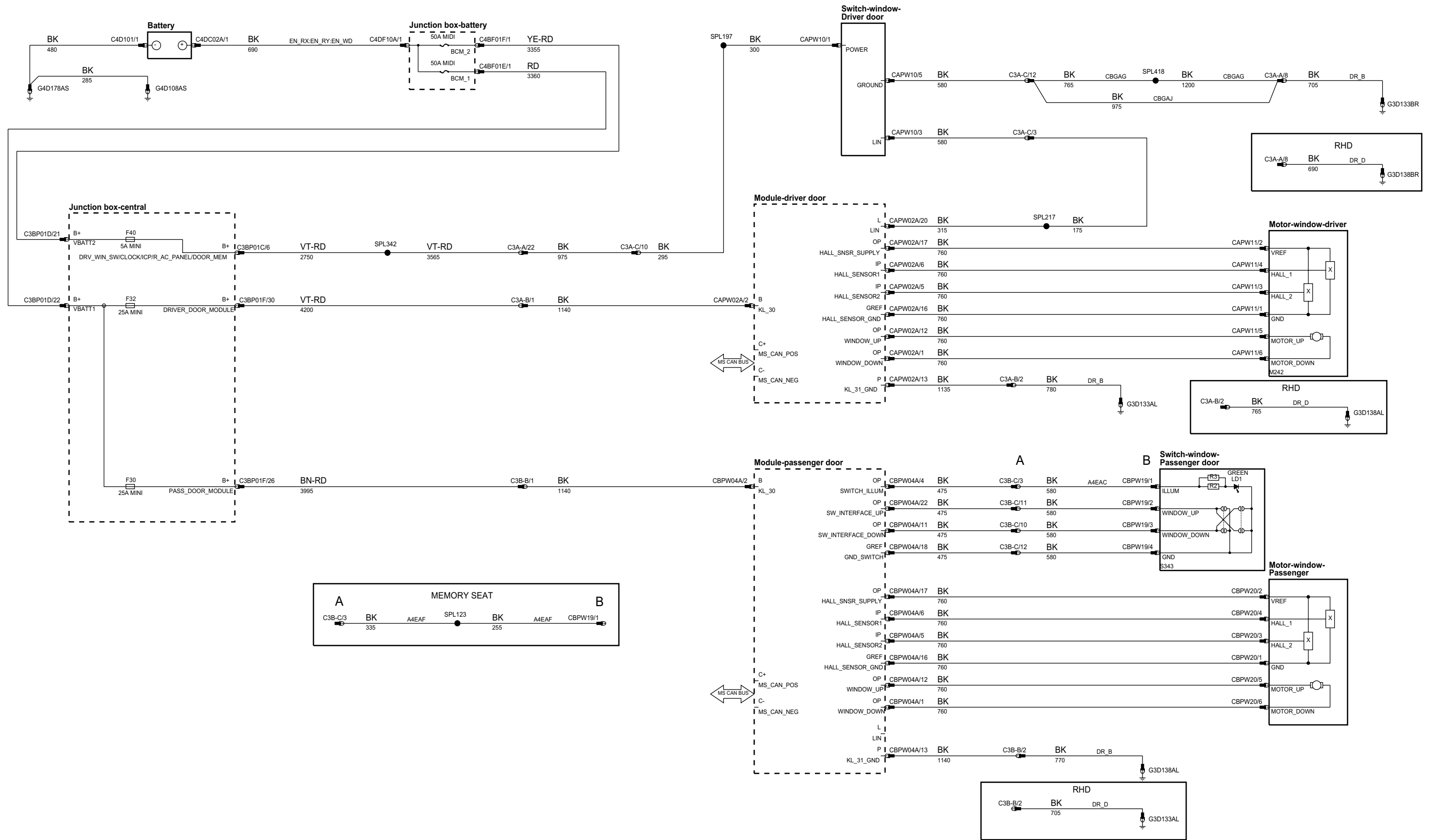
phw93-70349-c-a3



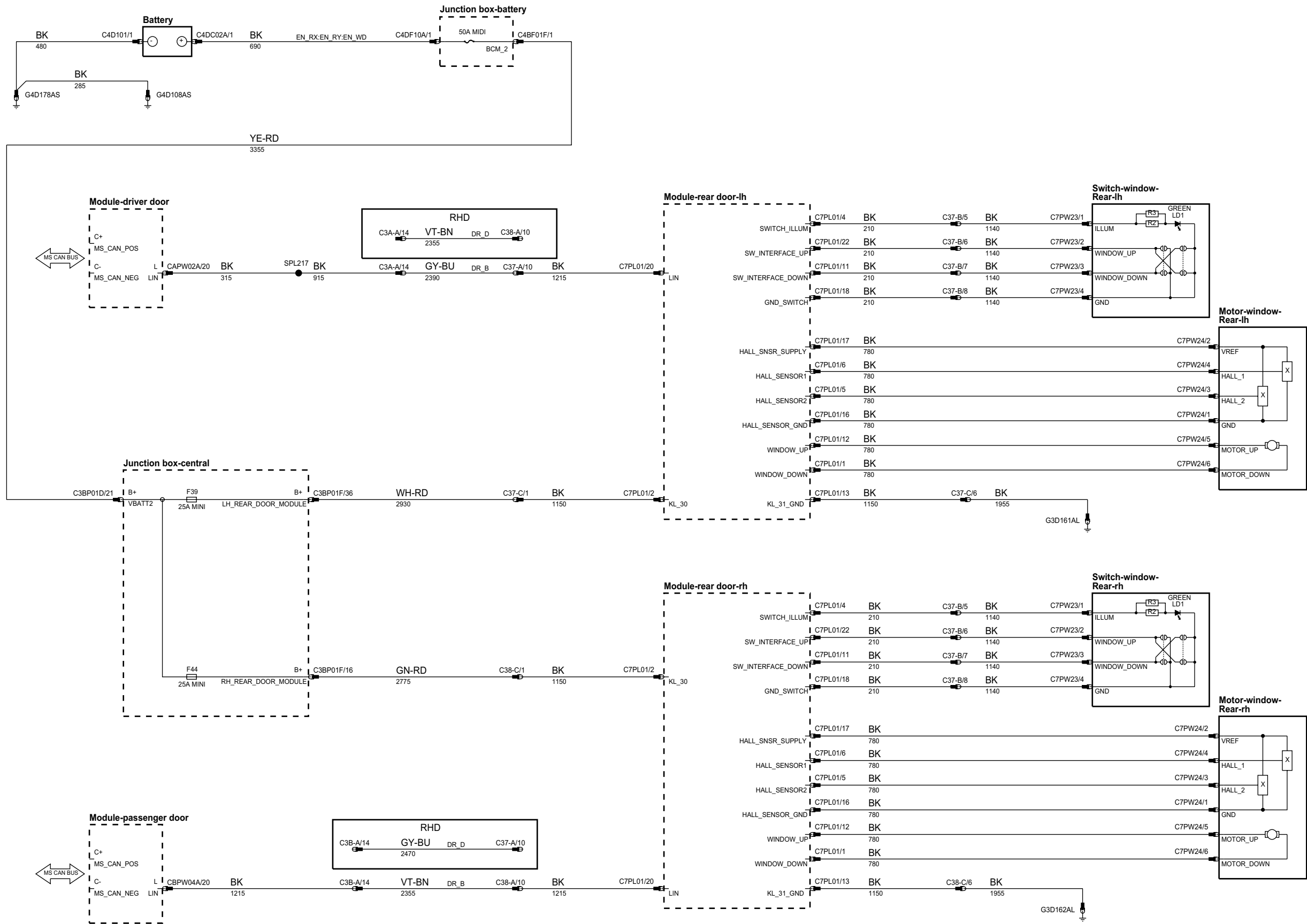
Refer to lh rear  
Or rh rear message



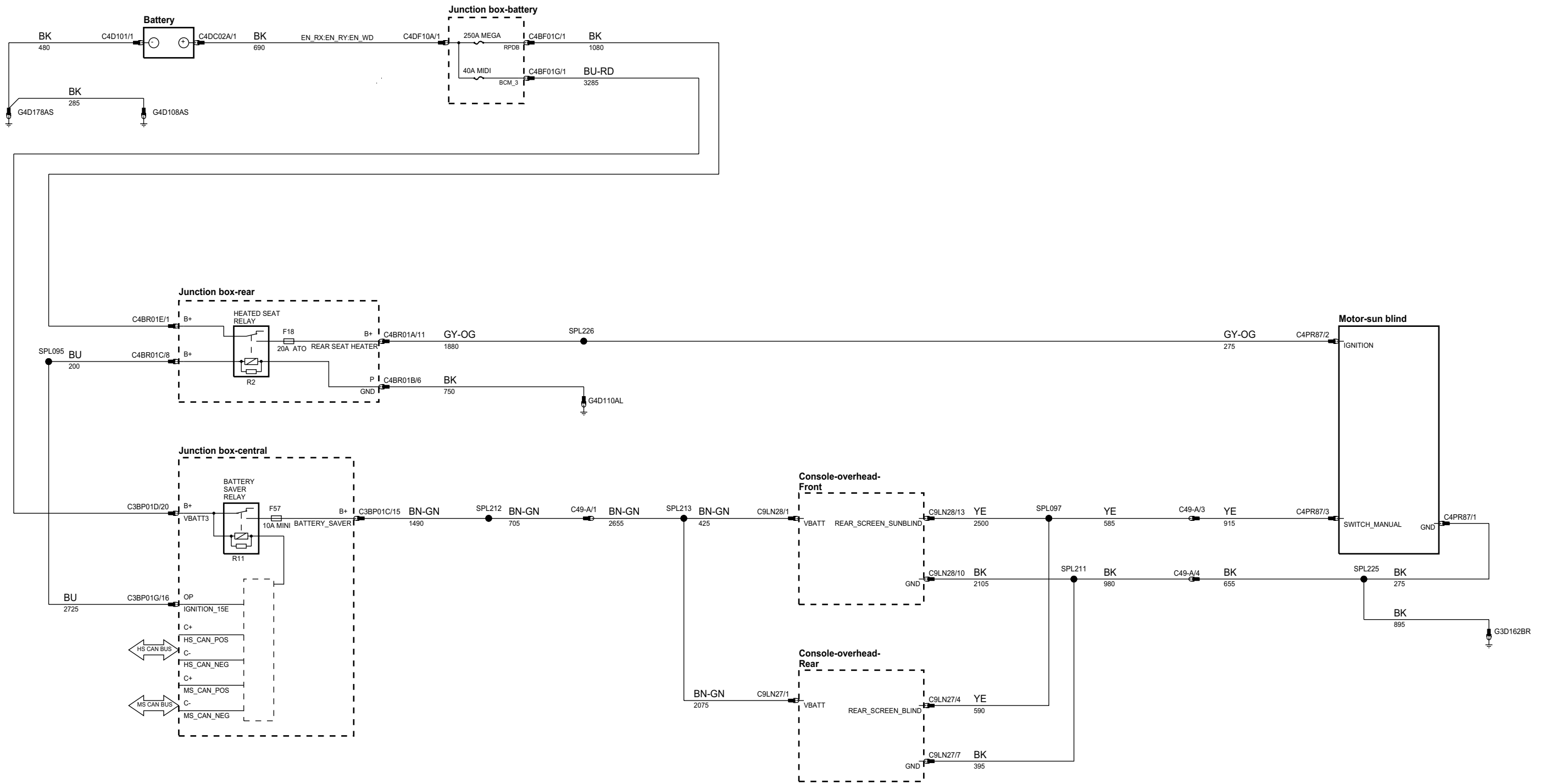
phcw93-70316-a-a3



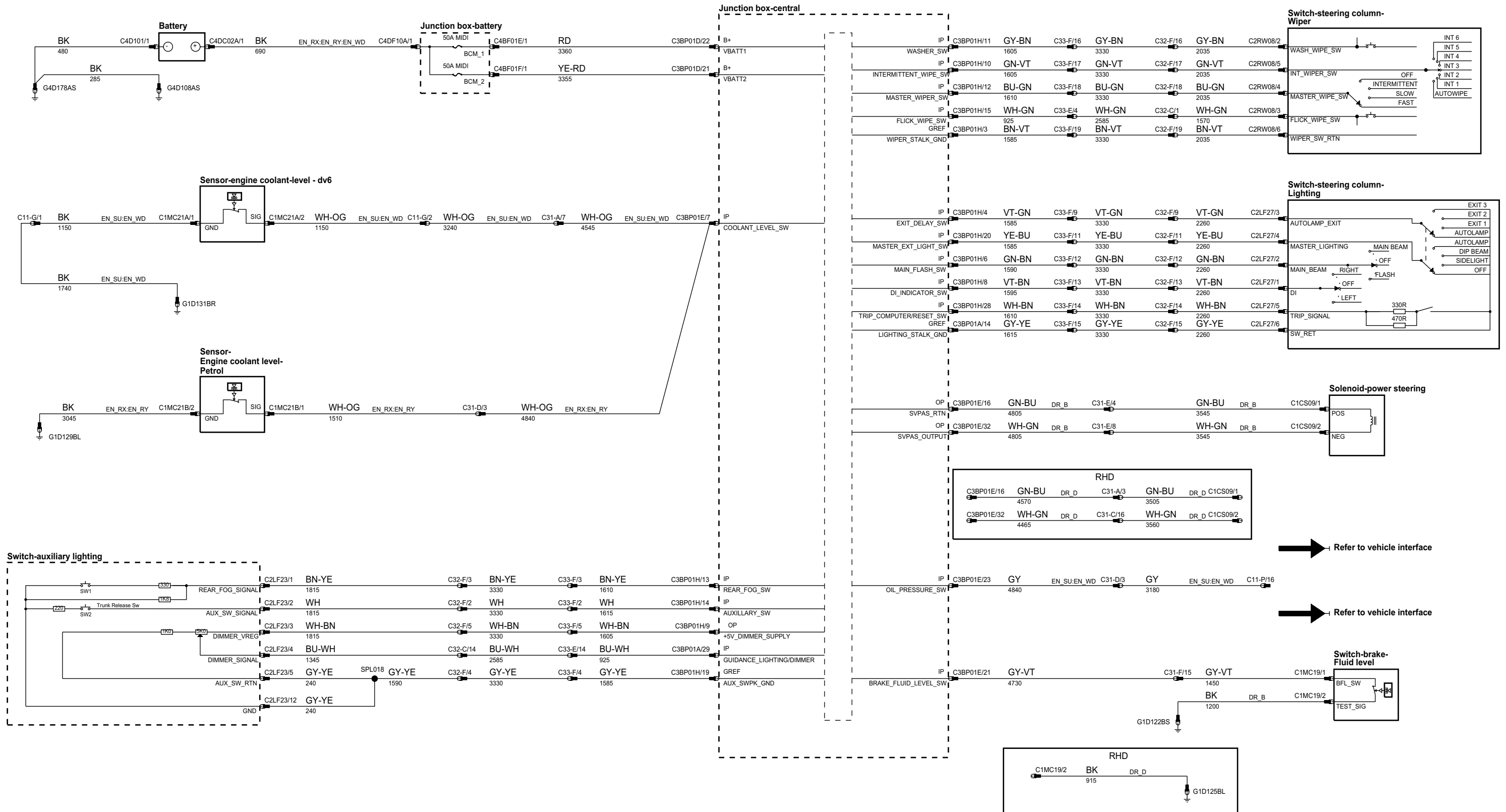
phcw93-70316-b-a3



phcw93-70317-b-a3



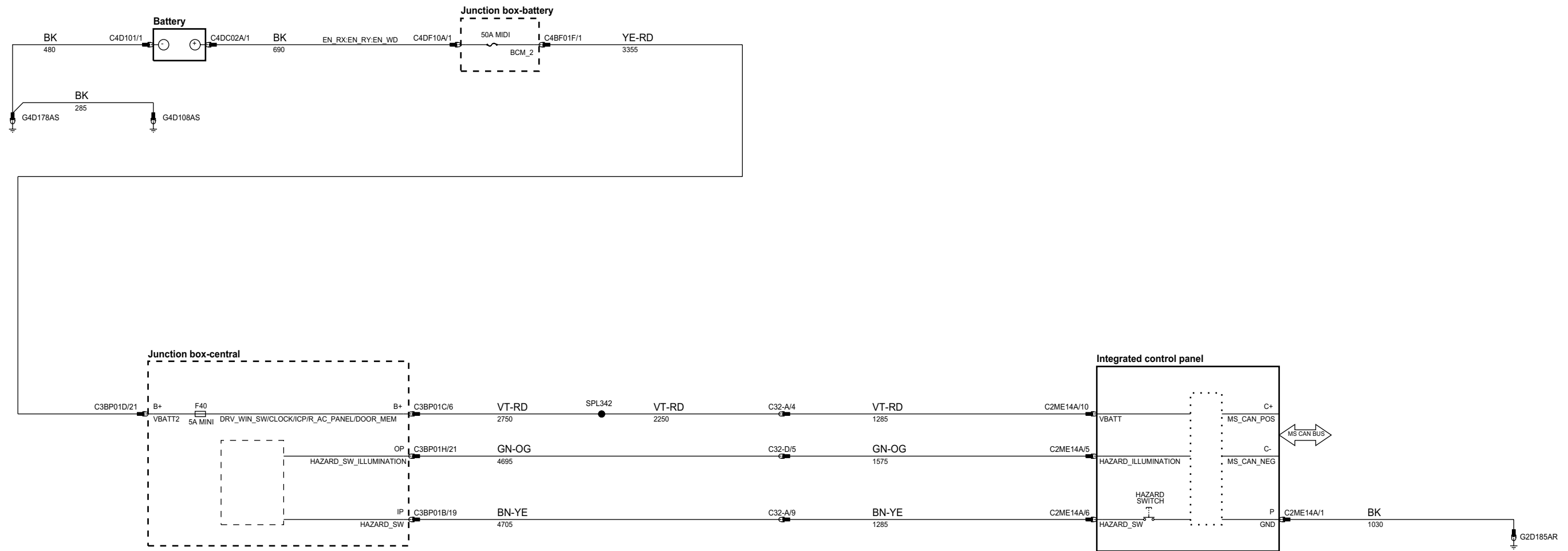
phcw93-70210-a-a3



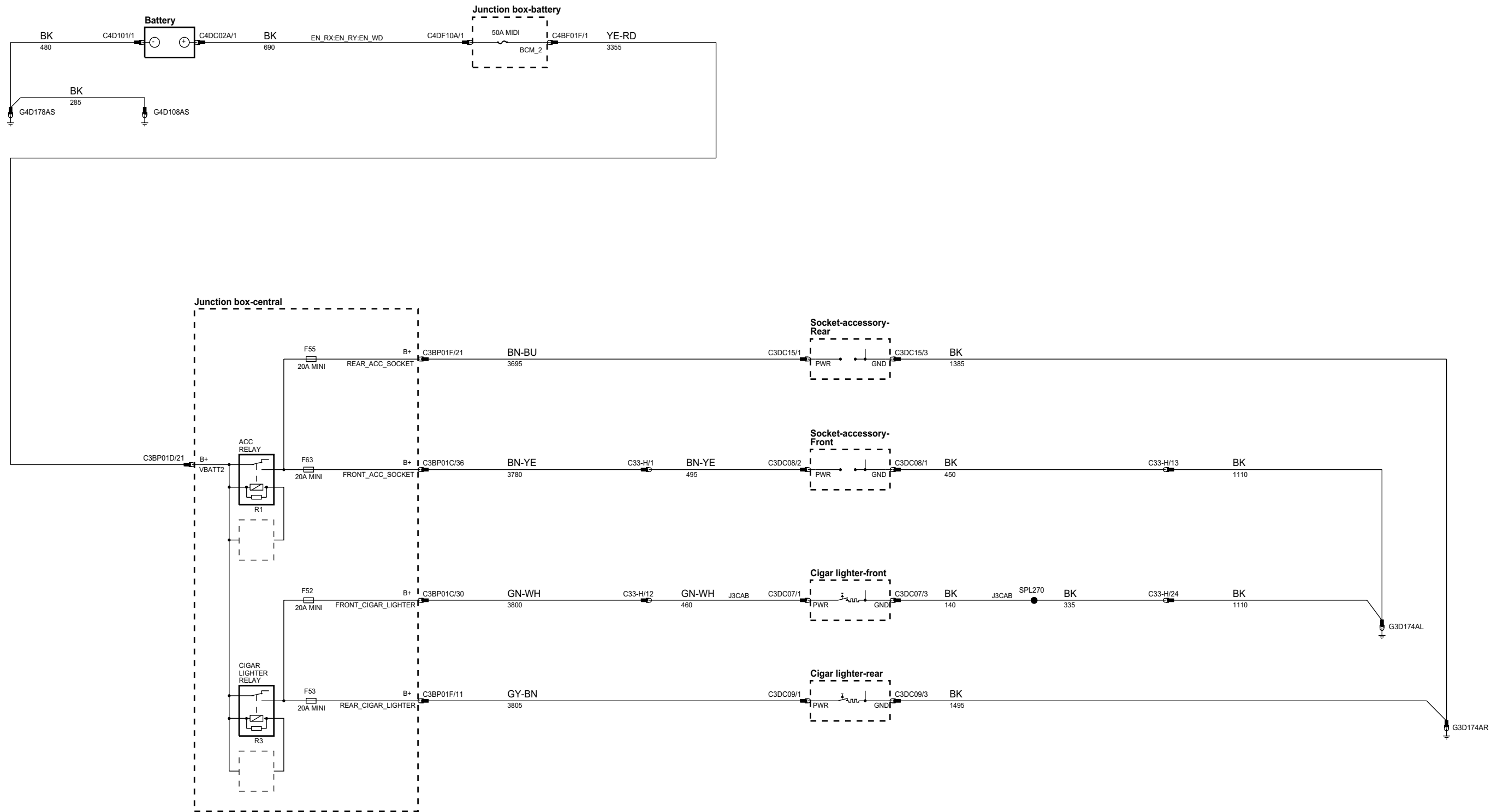
Refer to vehicle interface

Refer to vehicle interface

phcw93-70210-c-a3

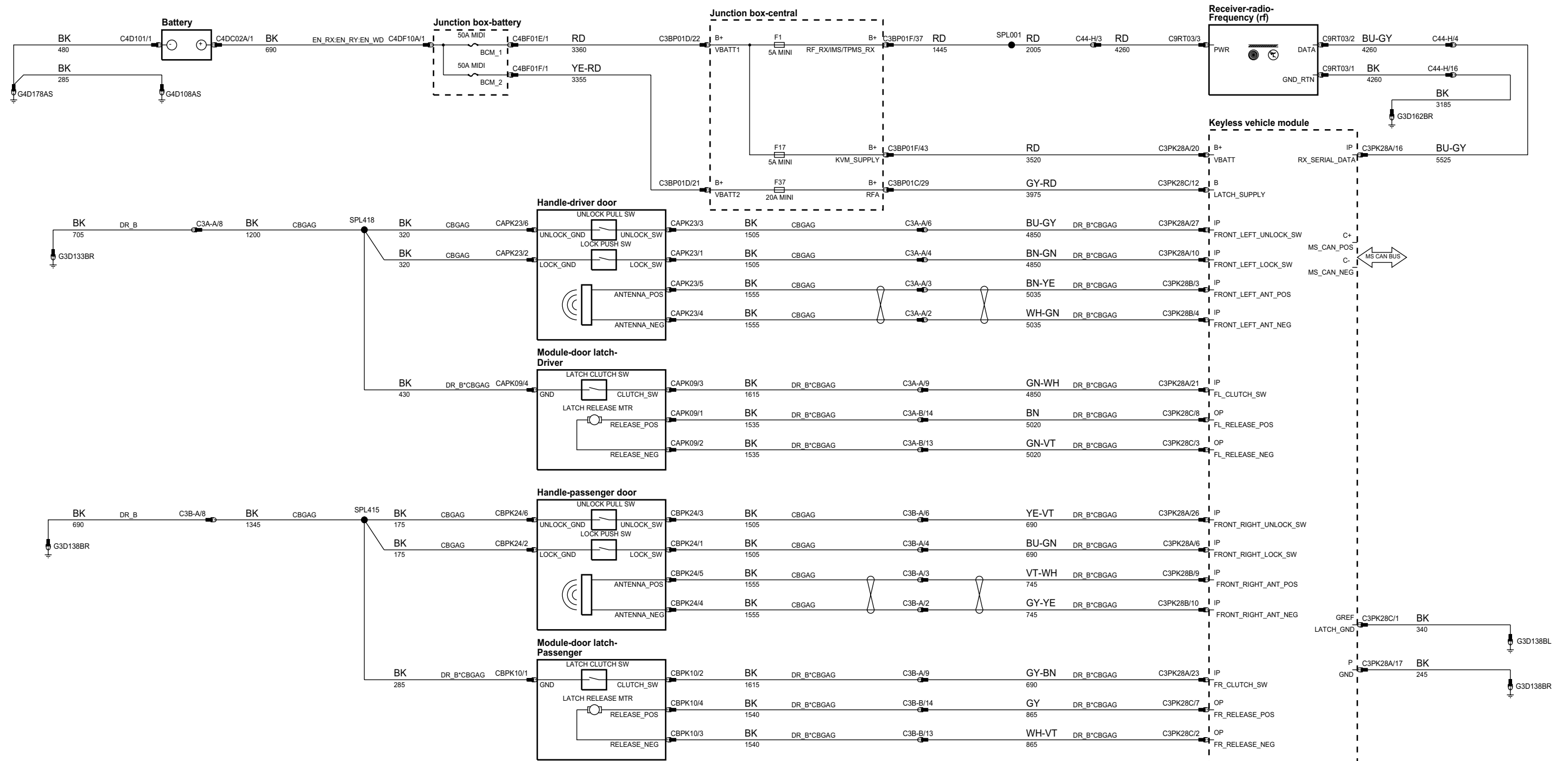


phcw93-70365-a-a3

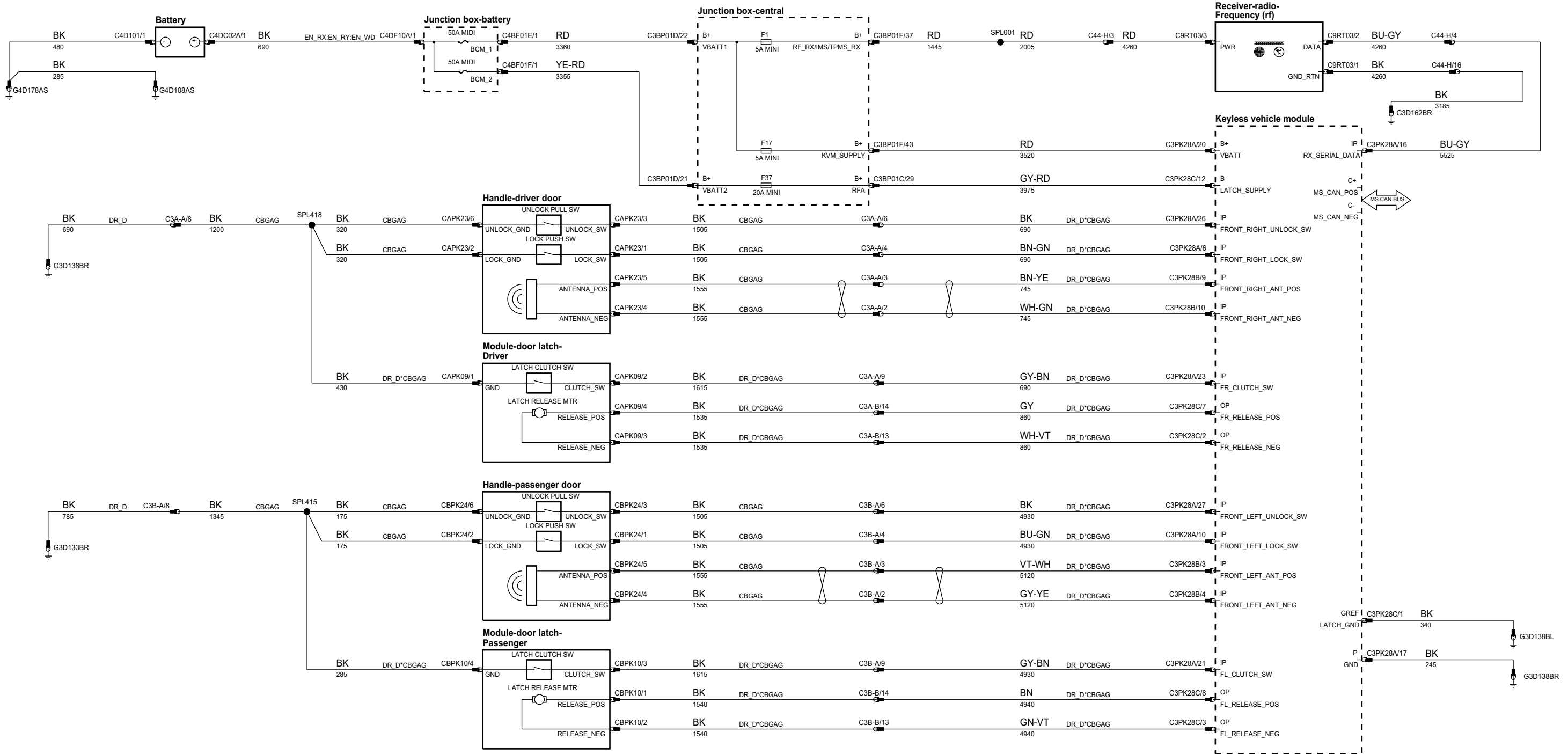


x

phcw93-70417-a-a3

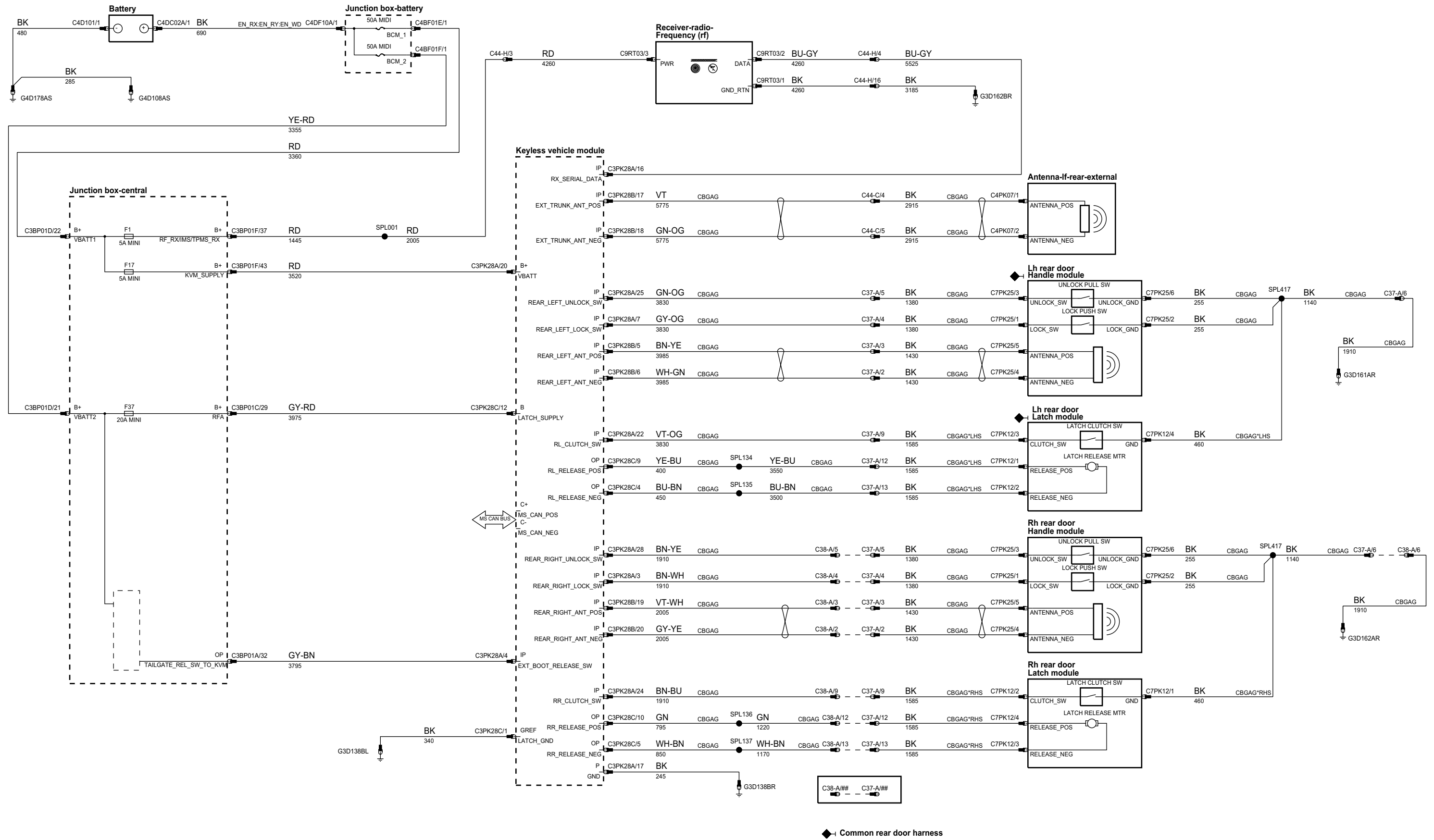


phcw93-70417-b-a3

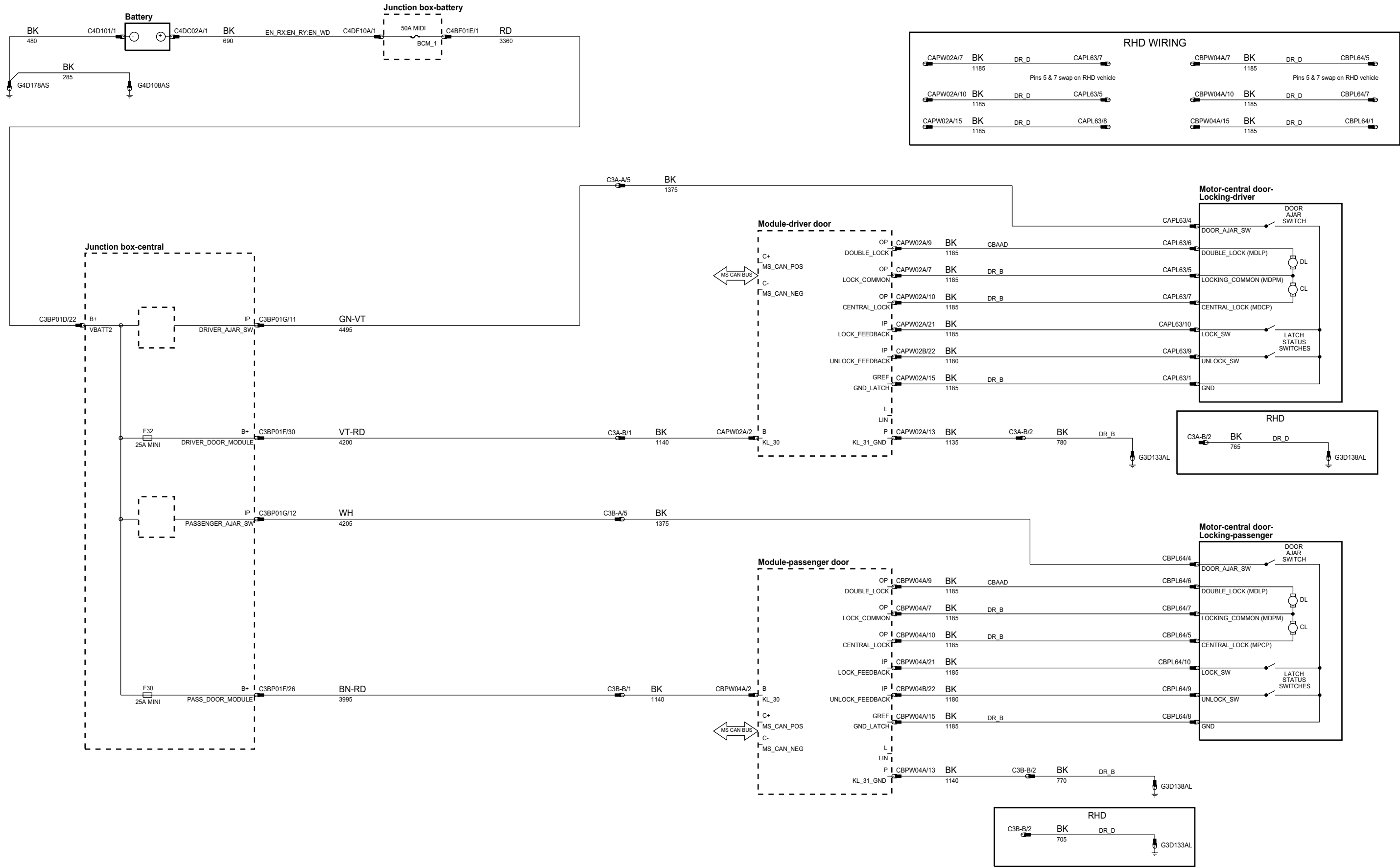




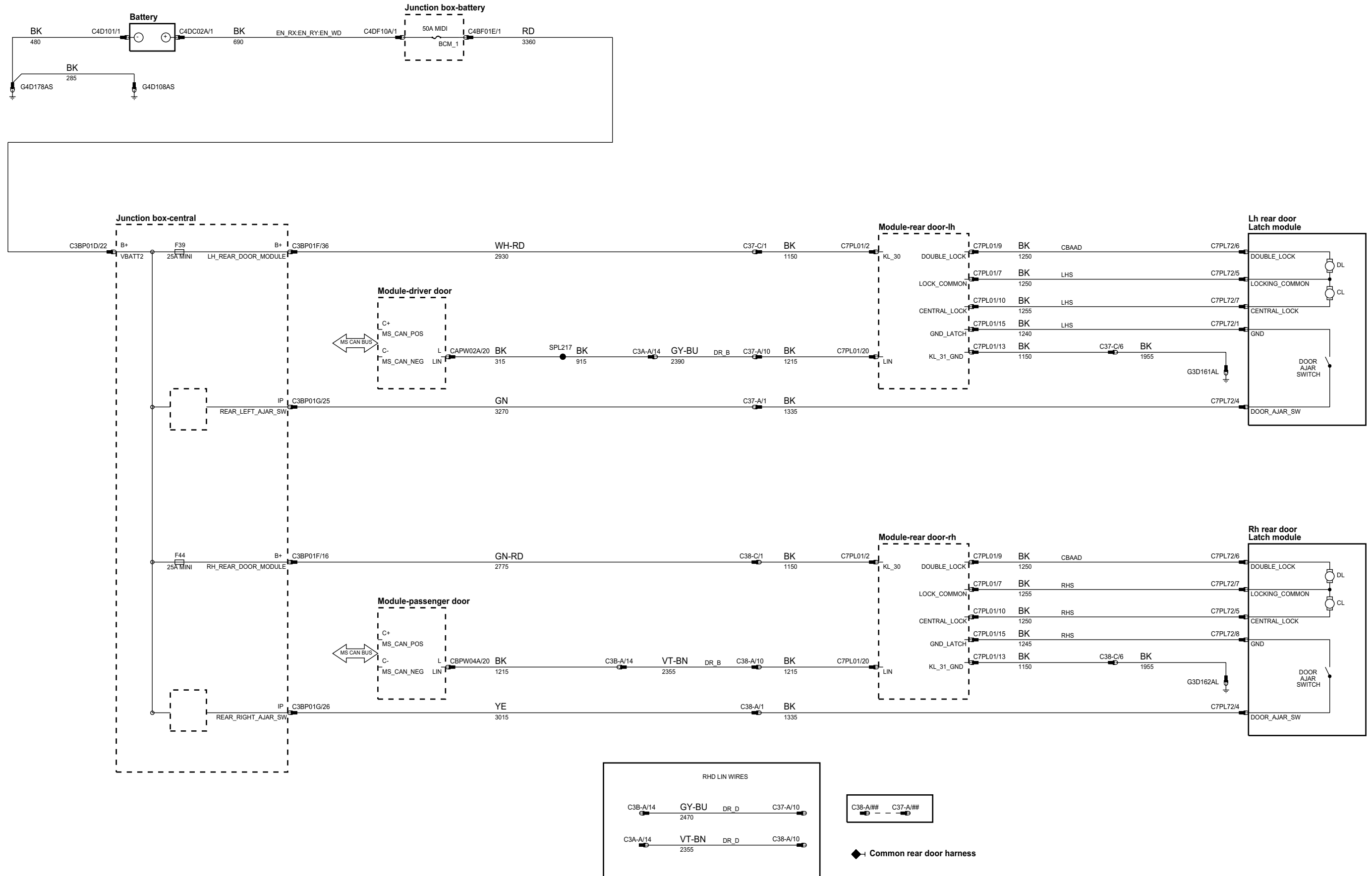
phcw93-70417-c-a3



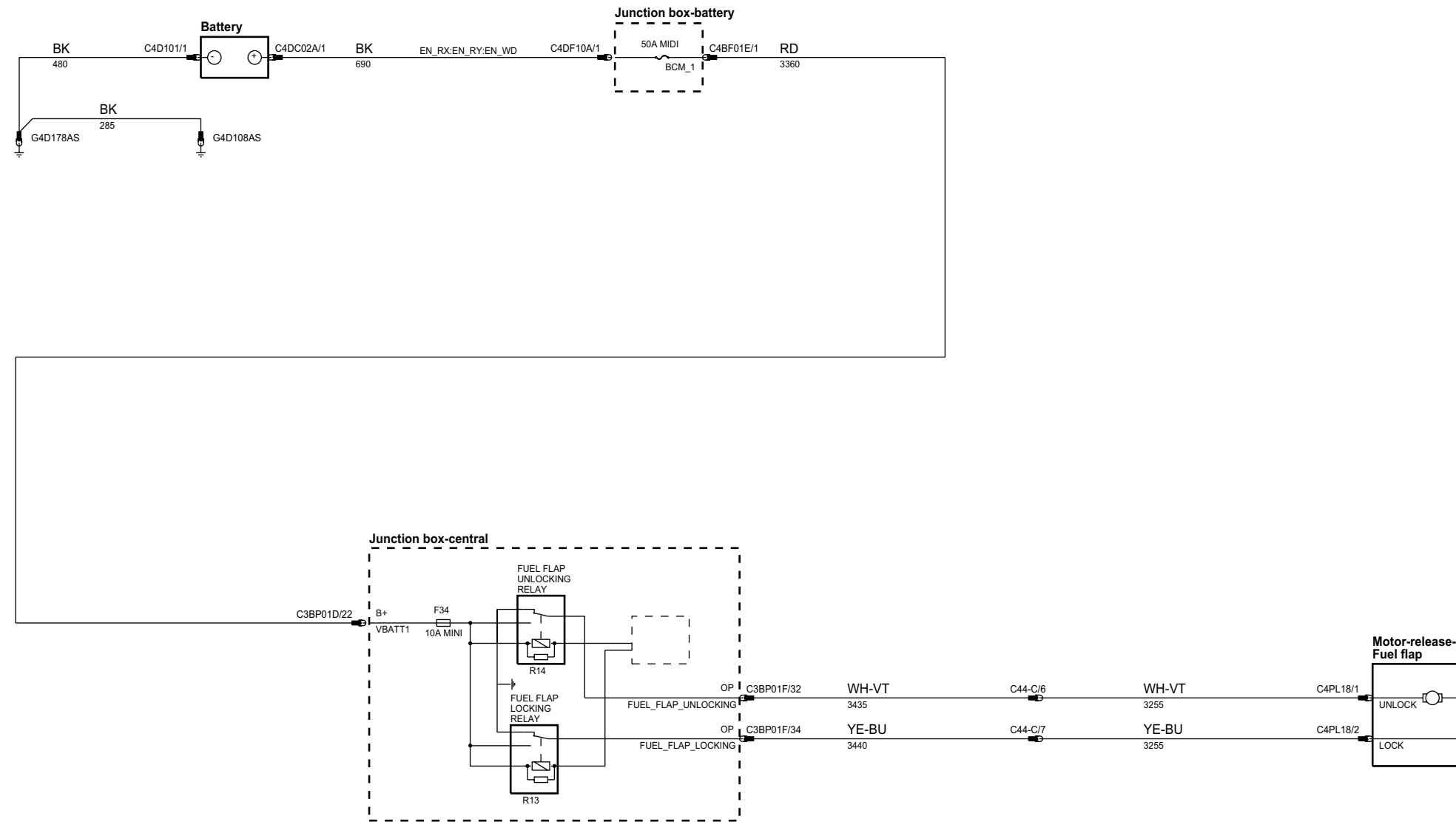
phcw93-70421-a-a3



phcw93-70421-d-a3

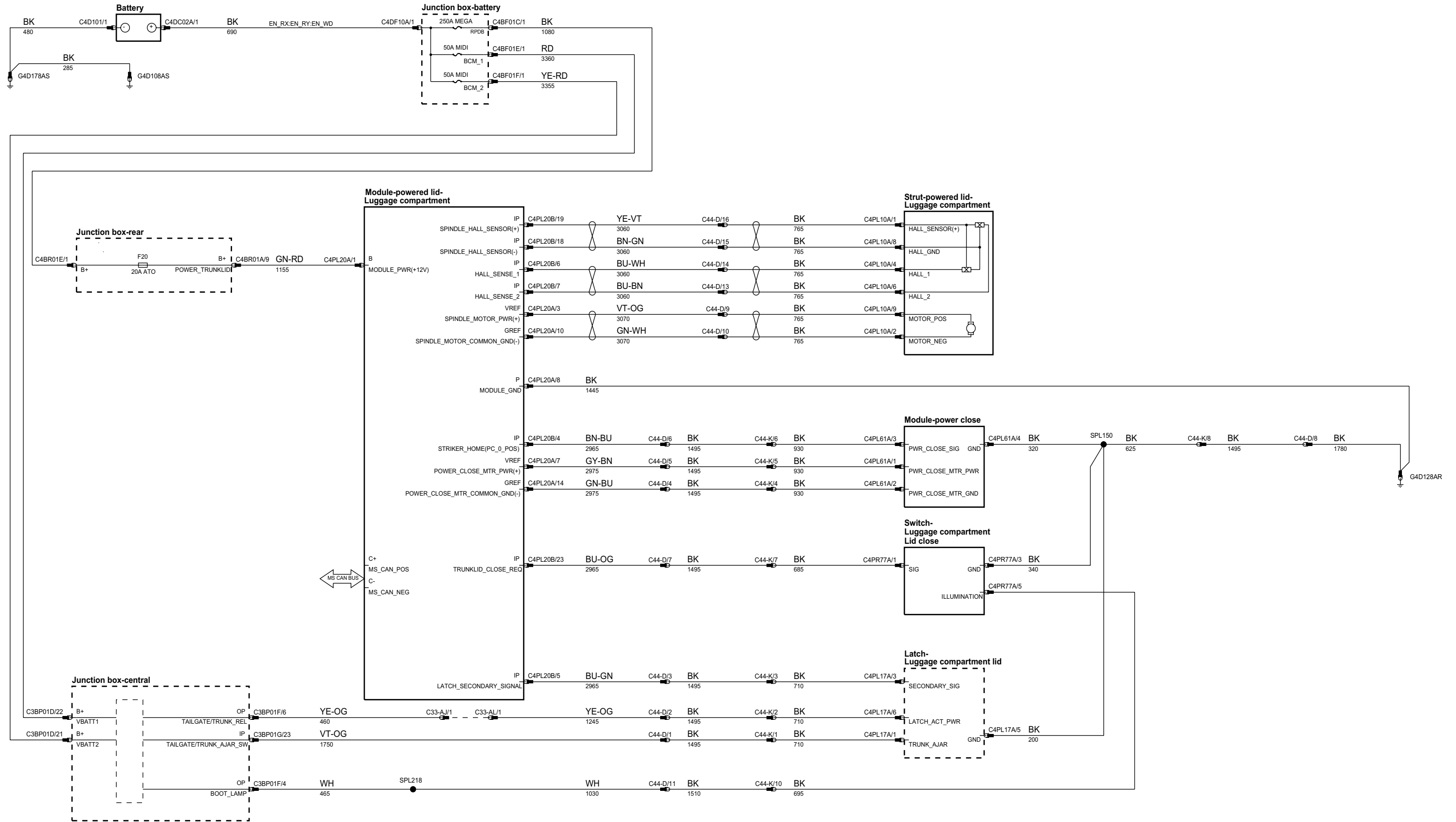


phow93-70421-b-a3

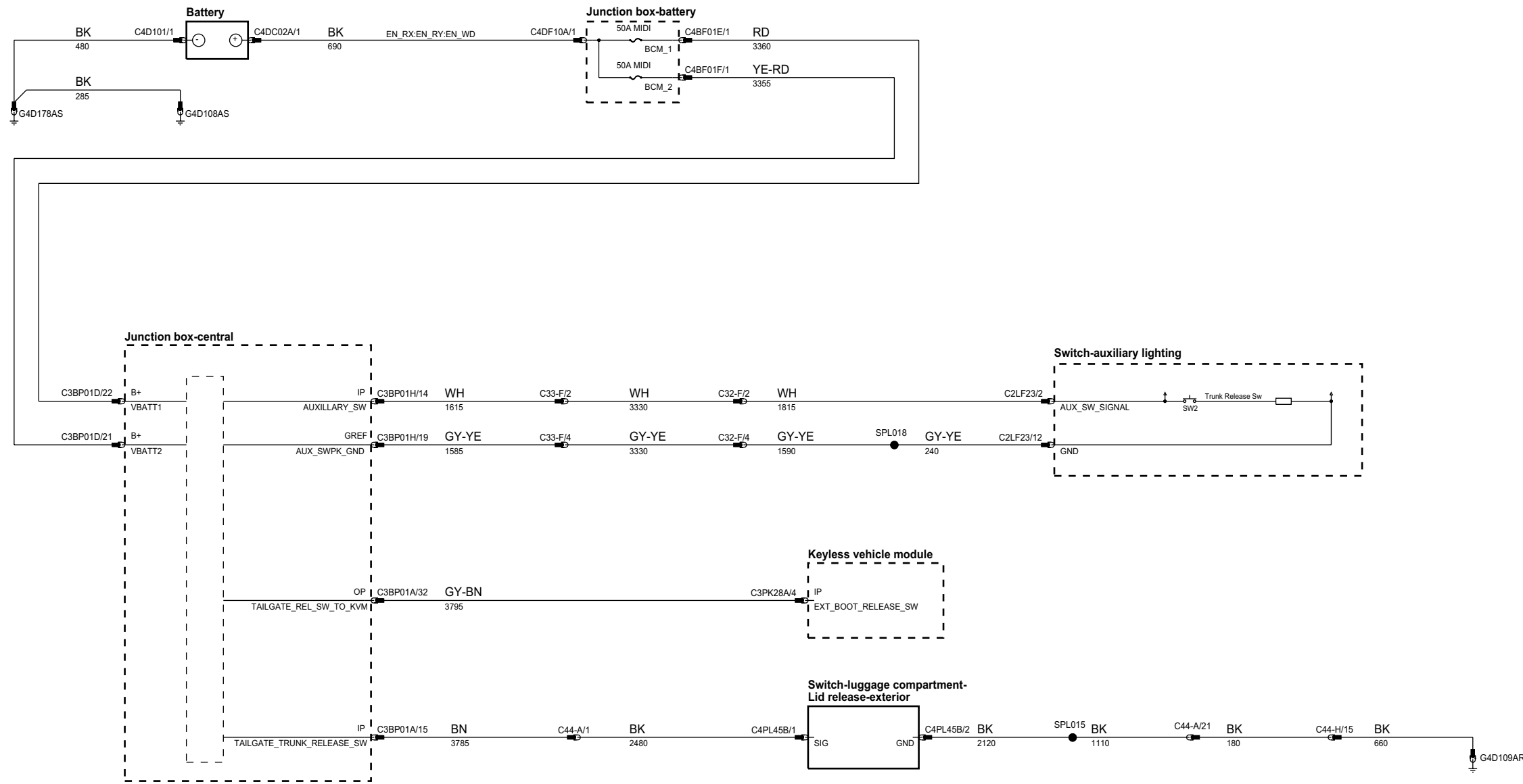


x

phcw93-70354-a-a3

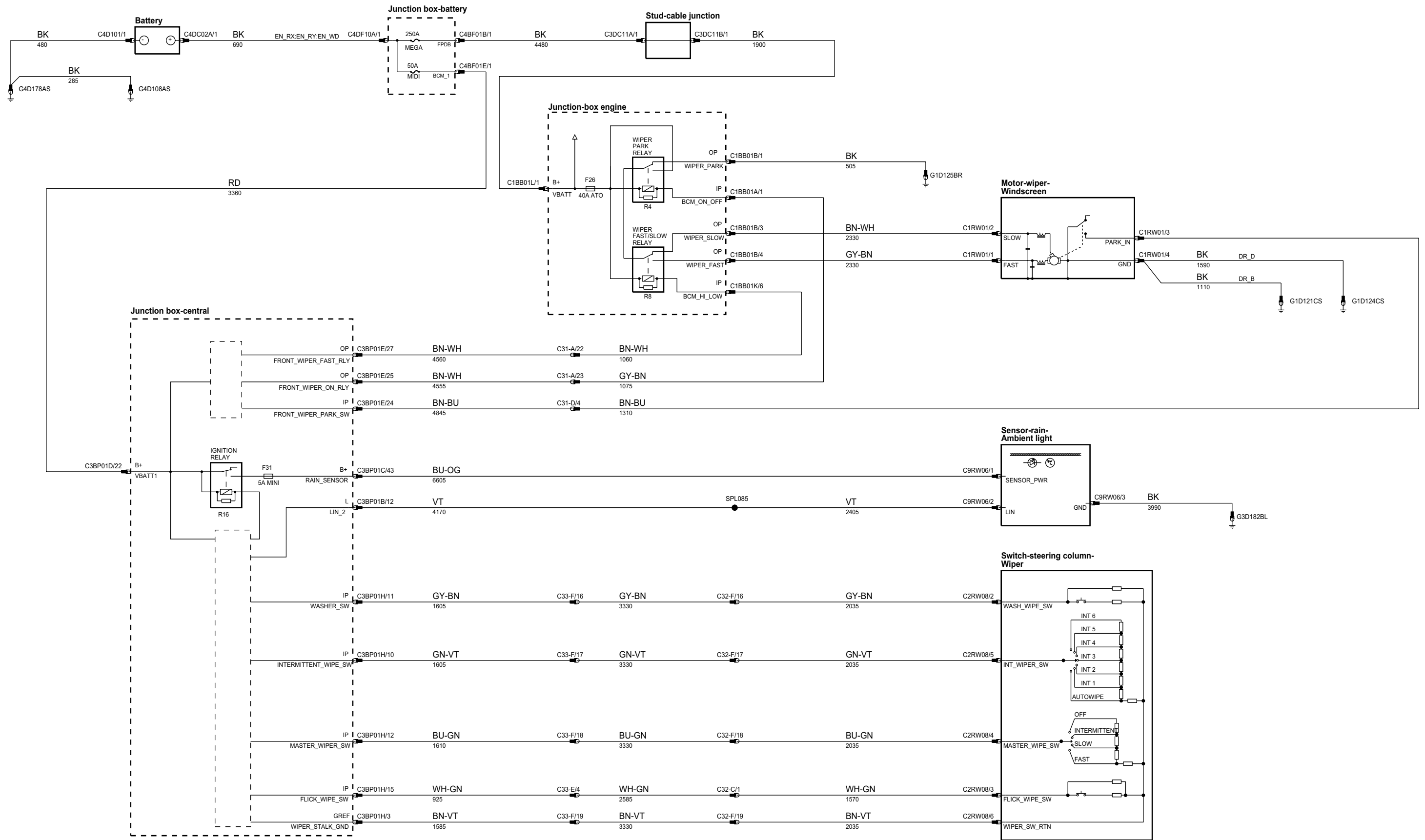


phcw93-70354-b-a3

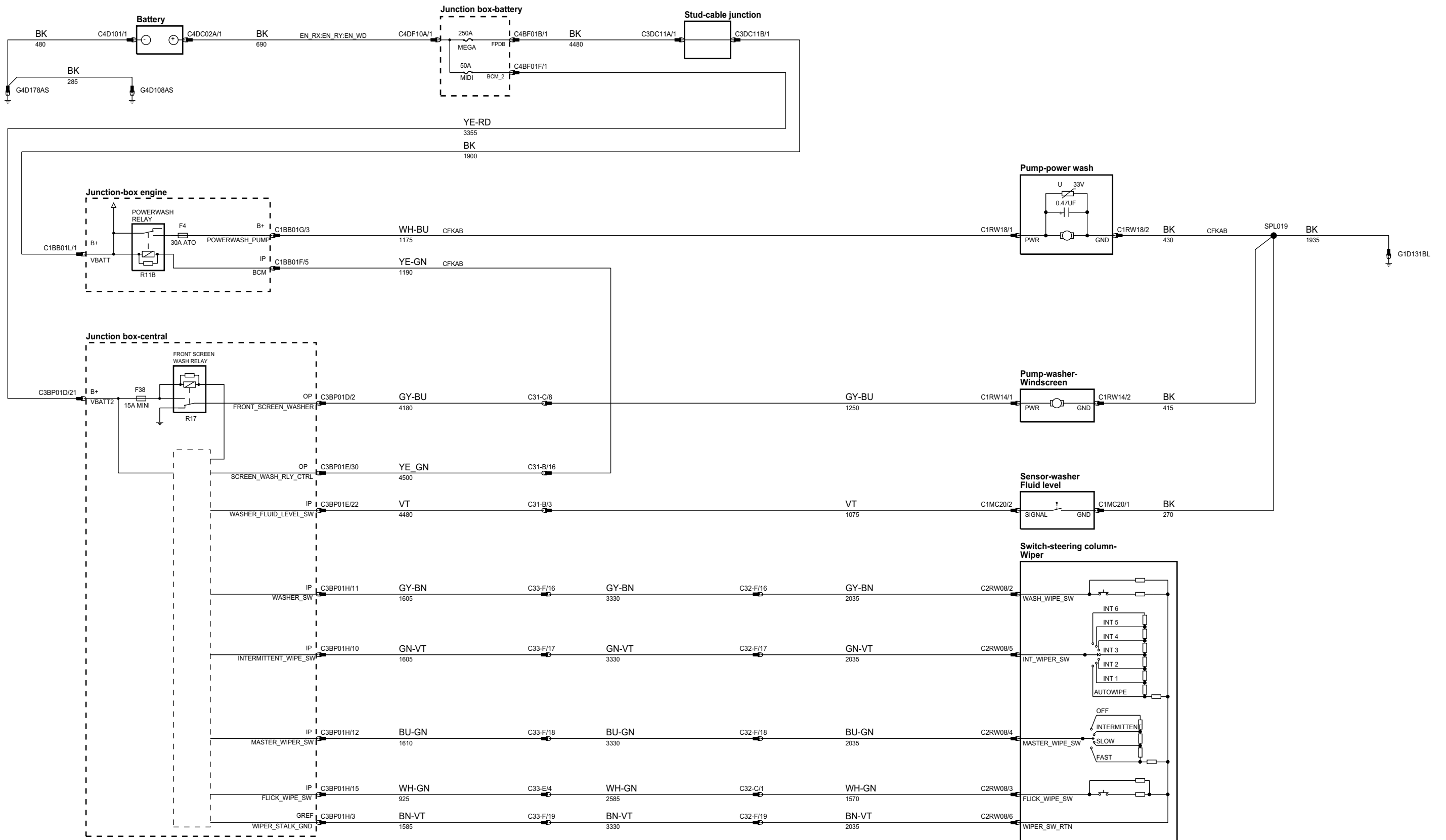


x

phcw93-70133-a-a3

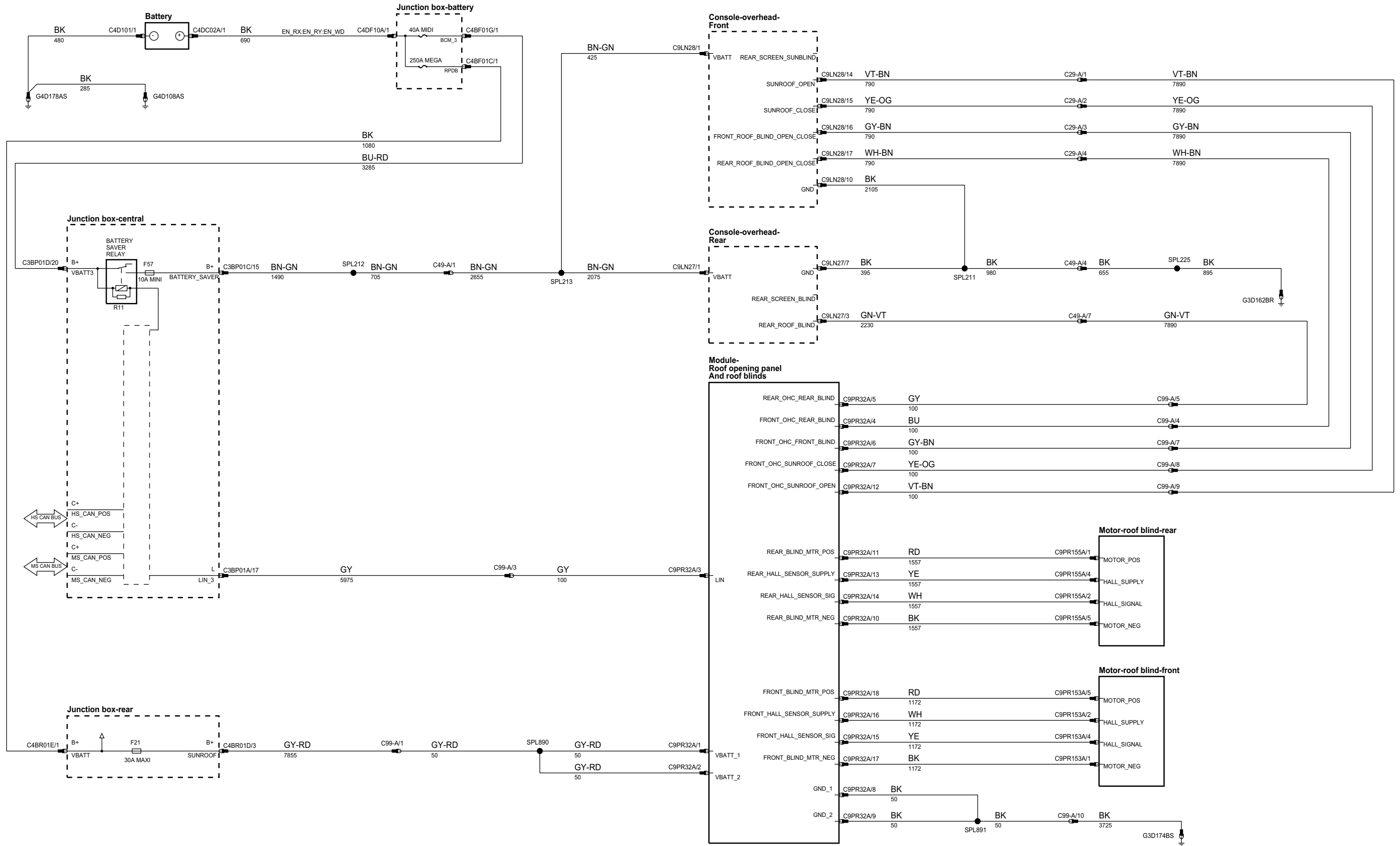


phcw93-70133-b-a3



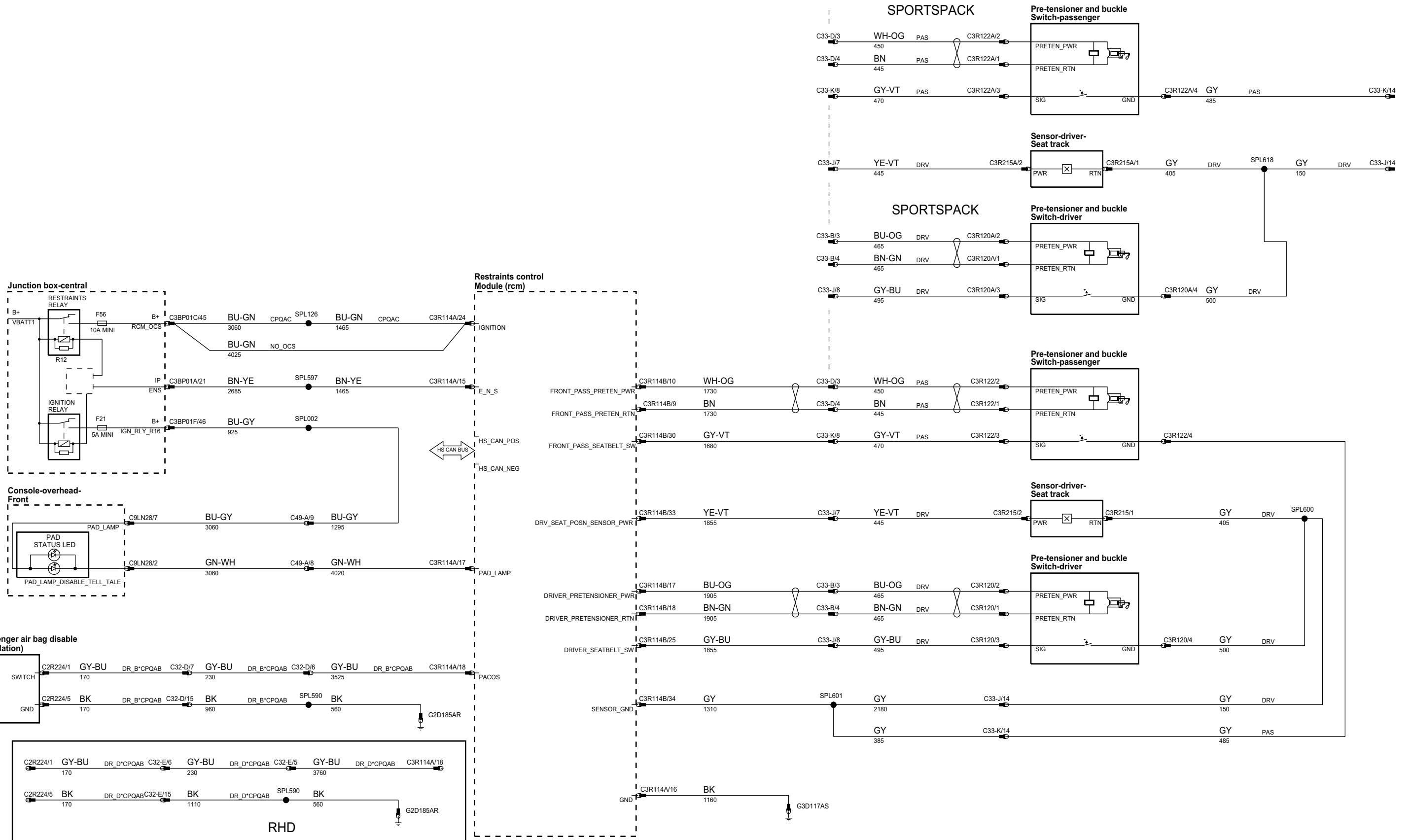


phcw93-70317-a-a3

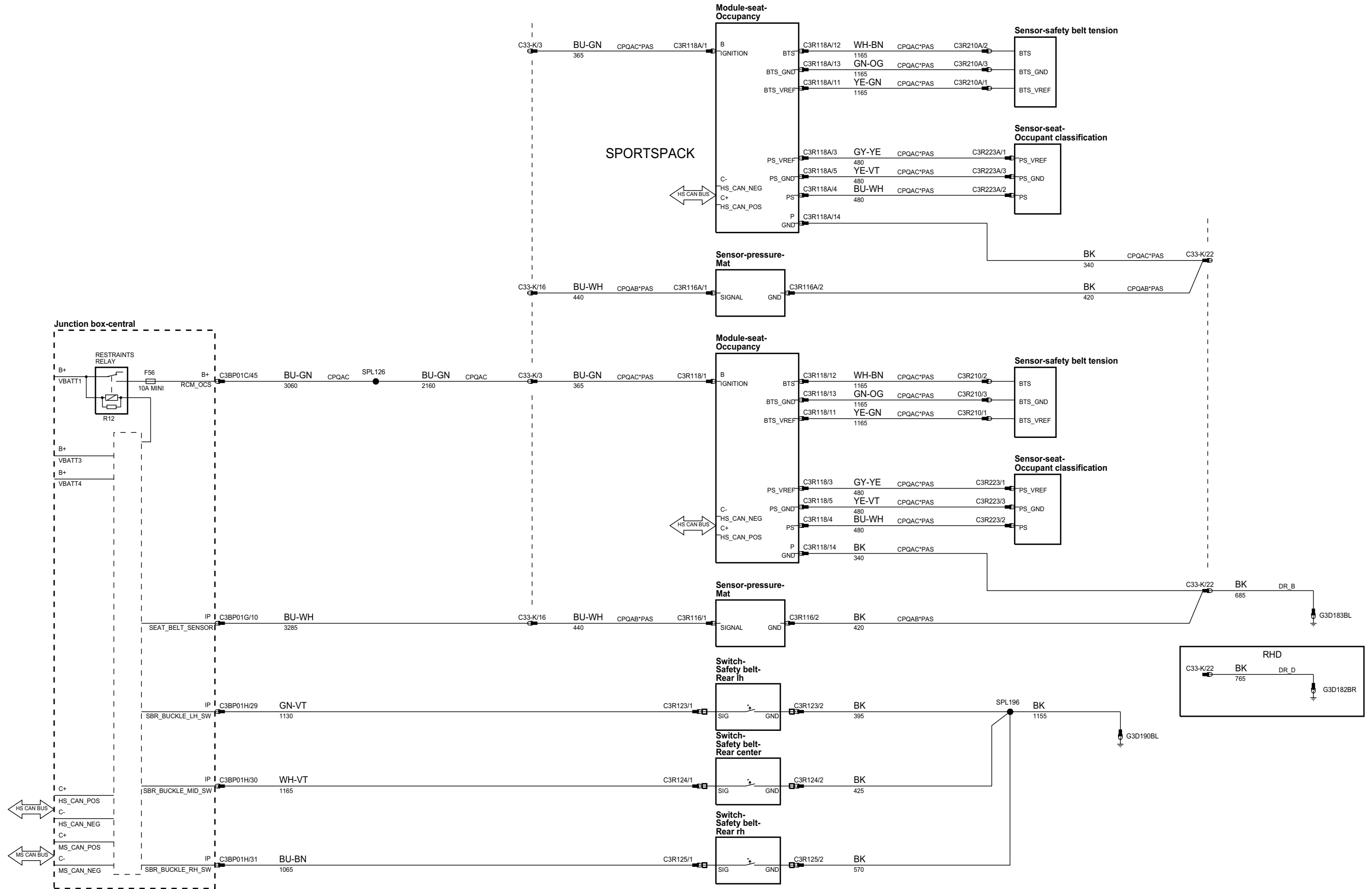


# 501-20A - SAFETY BELT SYSTEM

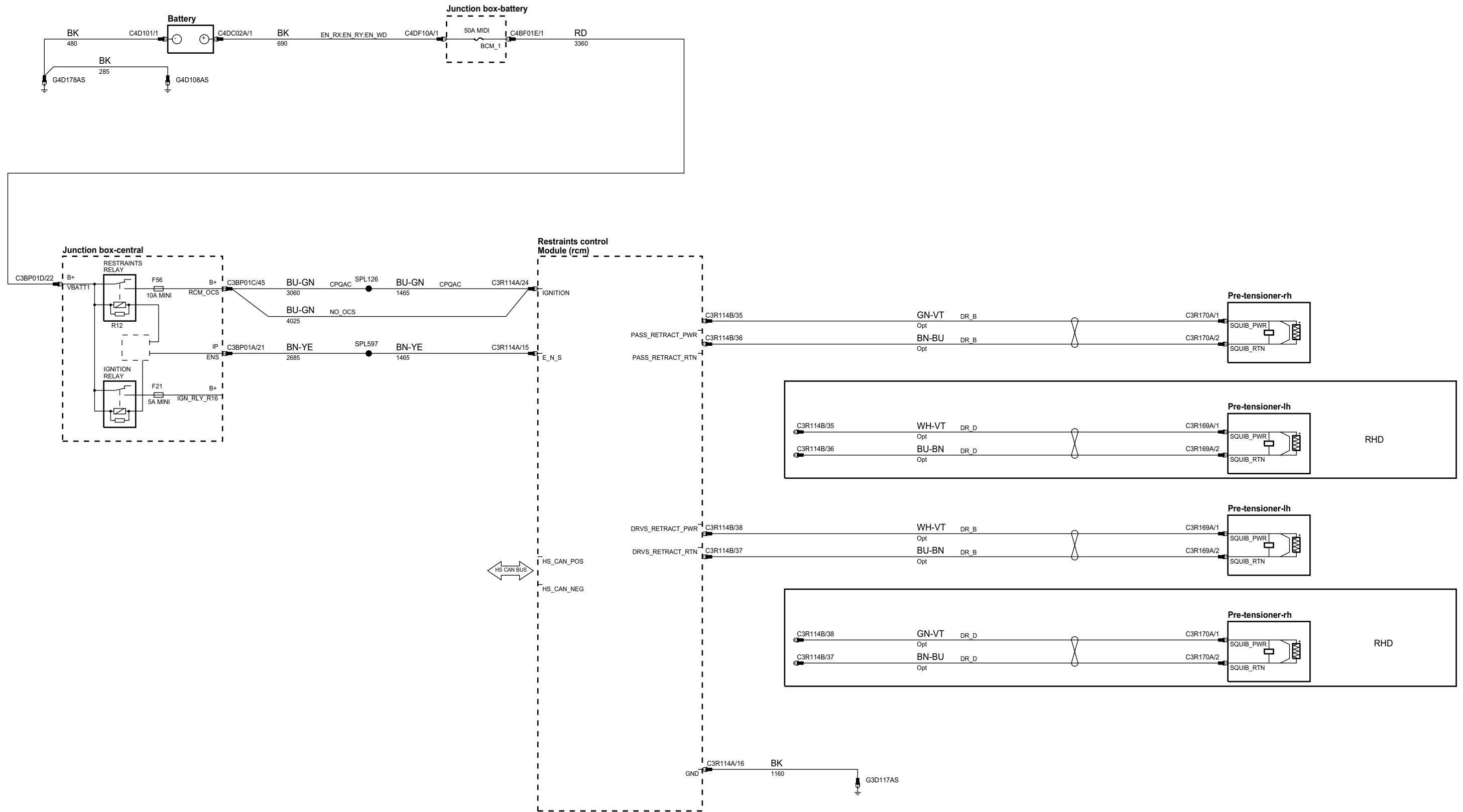
phcw93-70150-c-a3



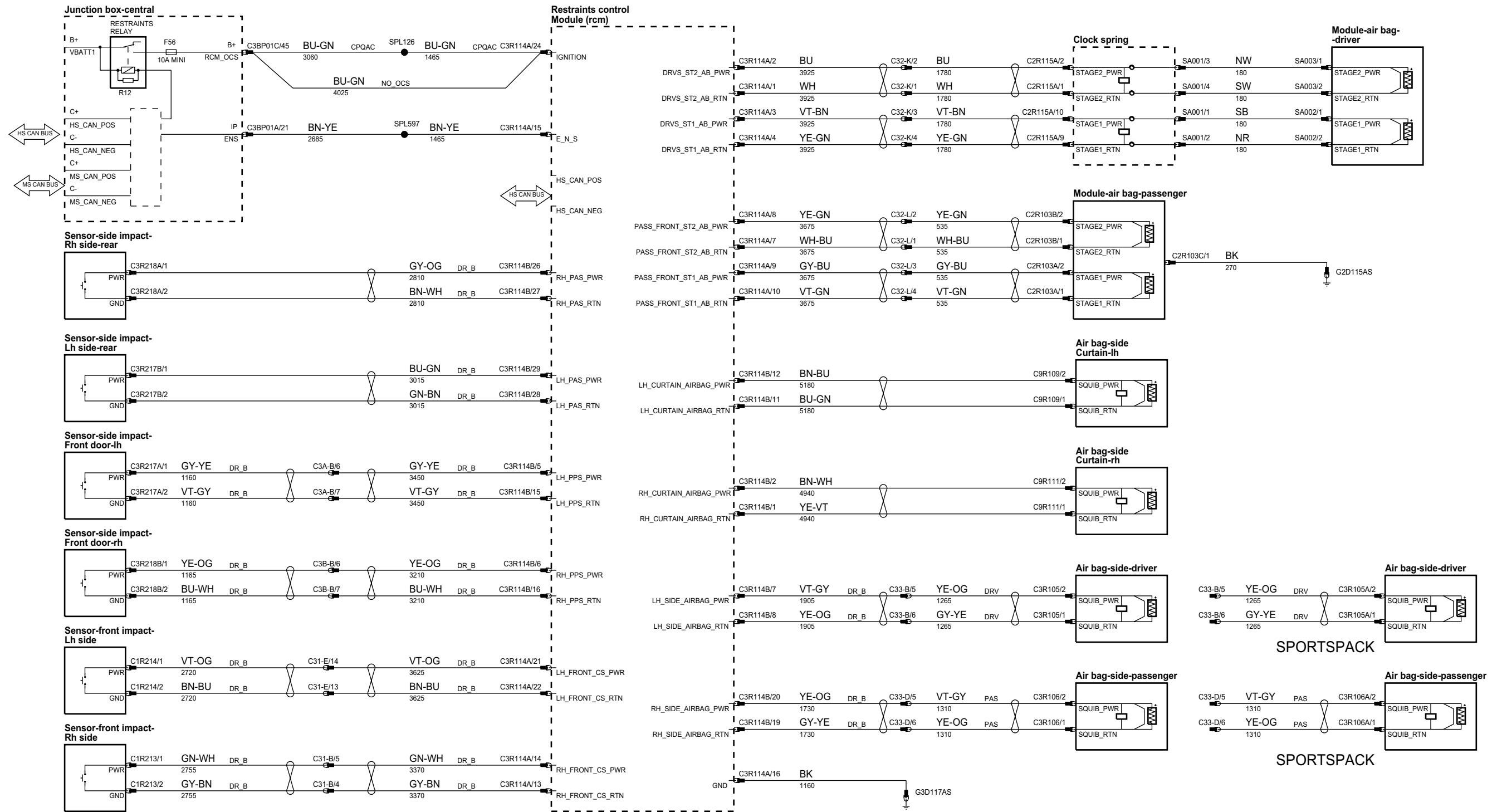
phcw93-70150-e-a3



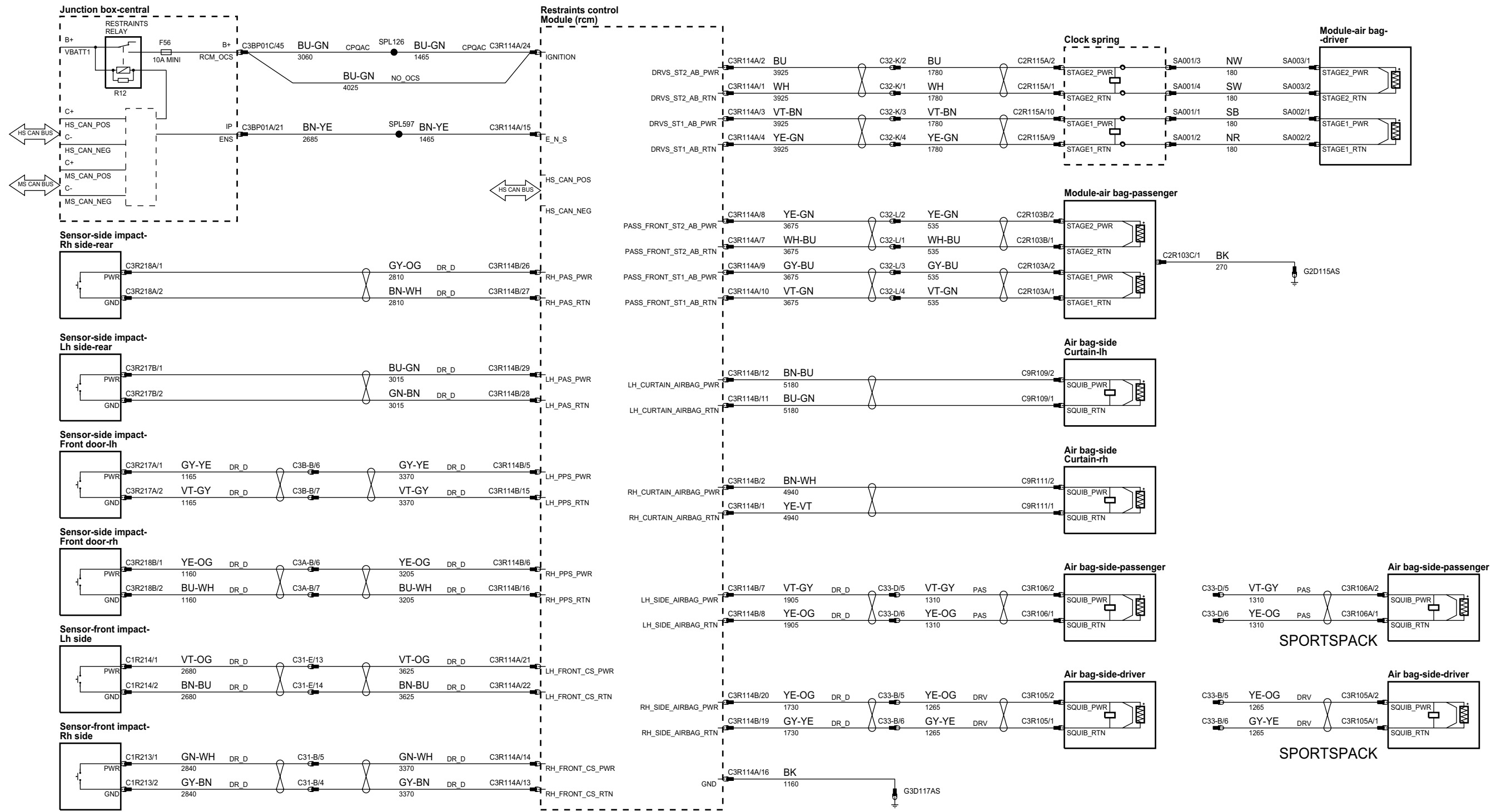
phcw93-70150-d-a3



phcw93-70150-a-a3



phow93-70150-b-a3



# 501-20C - PEDESTRIAN PROTECTION SYSTEM

phcw93-70150-g-a3

