

Tonneau Cover Support Bar –  
Locating Pegs Loose/Sheared –  
Repair Procedure

MODEL 2004 MY-ON  
X-TYPE Wagon

VIN D77509-ON

**Issue:**

Owners of some X-TYPE Wagon models may have concerns of the locating pegs for the tonneau cover support bar coming adrift or shearing.

**Action:**

To replace the tonneau cover pegs, follow the procedure outlined below.

1. Open liftgate.
2. Operate tonneau cover assembly latches to remove assembly from the vehicle.
3. Place tonneau cover assembly inverted on a suitable surface.
4. Remove the tonneau cover pegs from the support bar.
5. Install and fully seat the new tonneau cover pegs into the support bar.

**Note:** In step 6, apply a piece of masking tape to each side of the tonneau cover support bar to aid marking the positions to be drilled.

6. Measure and mark positions of the four holes to be drilled (two each side), Illustration 1.

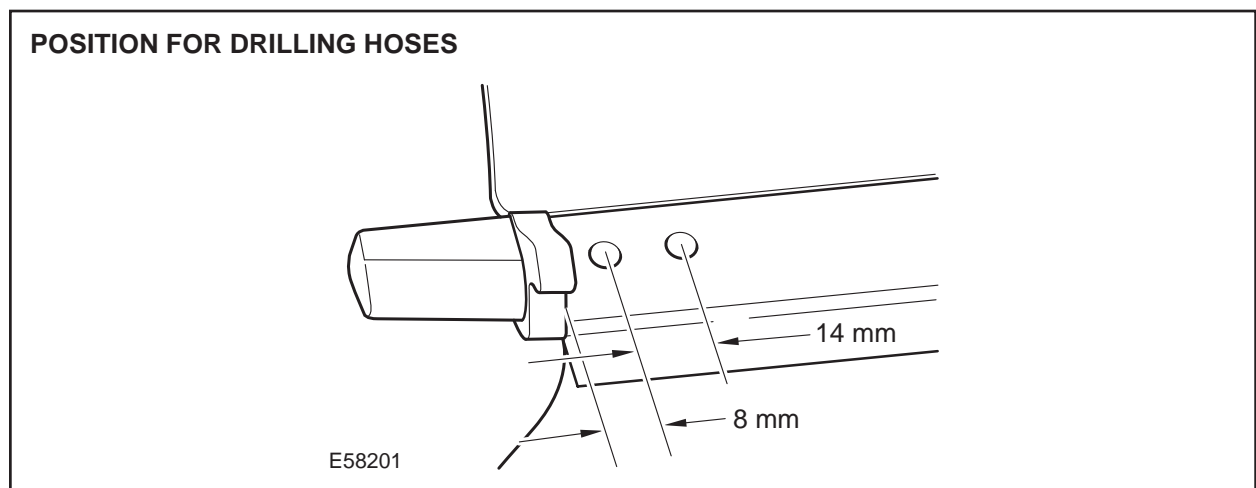


ILLUSTRATION 1

**NOTE: THE INFORMATION IN TECHNICAL BULLETINS IS INTENDED FOR USE BY TRAINED, PROFESSIONAL TECHNICIANS WITH THE KNOWLEDGE, TOOLS, AND EQUIPMENT TO DO THE JOB PROPERLY AND SAFELY. IT INFORMS THESE TECHNICIANS OF CONDITIONS THAT MAY OCCUR ON SOME VEHICLES, OR PROVIDES INFORMATION THAT COULD ASSIST IN PROPER VEHICLE SERVICE. THE PROCEDURES SHOULD NOT BE PERFORMED BY "DO-IT-YOURSELFERS." DO NOT ASSUME THAT A CONDITION DESCRIBED AFFECTS YOUR CAR. CONTACT A JAGUAR DEALER TO DETERMINE WHETHER THE BULLETIN APPLIES TO YOUR VEHICLE.**

**⚠ Caution:** Do not drill all the way through the support bar.

6. Drill four 3.0 mm pilot holes at the marked positions.
7. Remove and discard the two pieces of masking tape and clean up any drilling swarf.
8. Install and tighten the four new screws to secure the tonneau cover pegs to the support bar (Illustration 2).

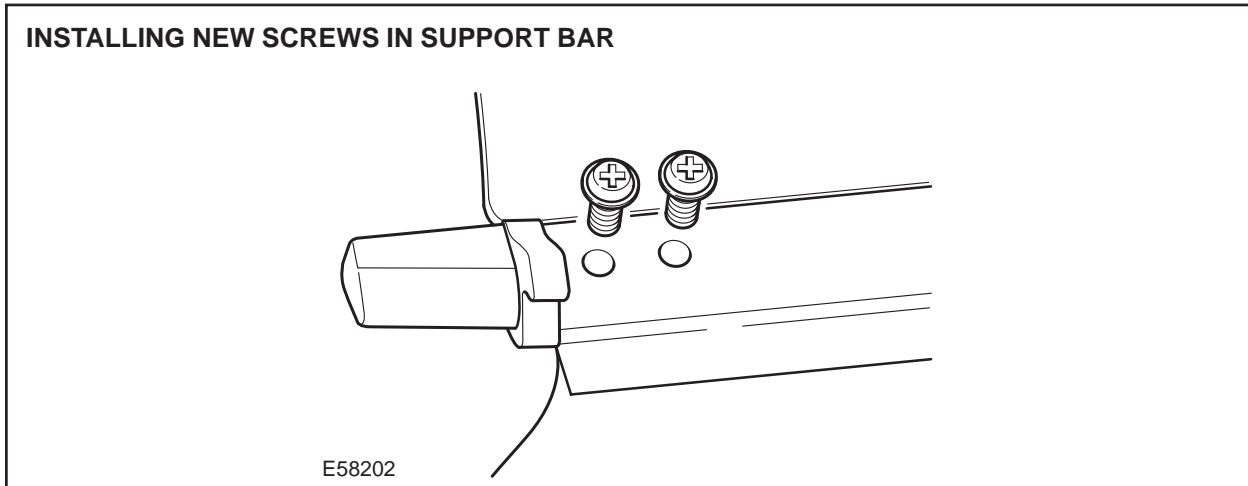


ILLUSTRATION 2

9. Install and fully seat the tonneau cover assembly in the vehicle.
10. Close the liftgate.

**Global Technical Reference (GTR) Workshop Manual Information:**

Dealer access: <https://hub.franchise.jaguar.com>

Internet access: <http://www.jaguartechno.com>

**Parts Information:**

<u>DESCRIPTION</u>	<u>PART NUMBER</u>	<u>QTY</u>
Tonneau cover peg right-hand (Champagne)	C2S 41170 SEL	1
Tonneau cover peg left-hand (Champagne)	C2S 41171 SEL	1
Tonneau cover peg right-hand (Stone)	C2S 41170 LJE	1
Tonneau cover peg left-hand (Stone)	C2S 41171 LJE	1
Tonneau cover peg right-hand (Warm Charcoal)	C2S 41170 LEG	1
Tonneau cover peg left-hand (Warm Charcoal)	C2S 41171 LEG	1
Screw	C2S 16863	4

**Warranty Information:**

Warranty claims should be submitted quoting the information found in the table below. This will result in payment of the stated time and, where applicable parts/miscellaneous expense codes as listed.

Description	SRO	Time	Causal Part Number
Tonneau cover peg service fix	76.94.74	0.2 hrs.	C2S 38611 XXX