



Sedan Range

DATE 11/96

01-13

**SERVICE**

## **TECHNICAL BULLETIN**

### 1997 MY Product Update – Vehicle Specification Changes and Feature Enhancements

MODEL 1997 MY  
Sedan Range  
VIN 787954-ON

#### **ISSUE:**

This Technical Bulletin describes model year changes to the Sedan range of Jaguar Cars. A Technical Guide update for the 1997 MY Sedans will not be issued.

Changes between 1996 MY and 1997 MY vehicles are:

- Luggage compartment lid strap
- Mirror package
- New rear seat arrangement incorporating 3-point center seat belt
- Seat comfort improvement
- CD autochanger repackaging
- Paint colors
- Feature changes to various models

#### LUGGAGE COMPARTMENT LID STRAP

A leather strap is attached to the underside of the trunk lid so the trunk lid can be closed without touching the exterior lid panel.

#### MIRROR PACKAGE

The interior electrochromic mirror remains standard equipment for XJR and Vanden Plas vehicles, optional on the XJ6 and XJ6 L models.

**NEW REAR SEAT ARRANGEMENT INCORPORATING  
THREE-POINT CENTER SEAT BELT**

Changes have been made to the rear seat of all models to accommodate the new rear three-point center seat belt. The seat belt tension has been reduced and results in improved comfort.

The seat squab has been raised above the rear parcel shelf. A new trim has been added in order to conceal the seat belt retractors, with the seat belt webbing exiting through an escutcheon in the top of the squab.

All rear seat belts are now secured with metric fasteners. For the North American markets all three rear seat belts have combined automatic locking retractors and emergency locking retractors (ALR/ELR). The D-loops on the D/E posts and escutcheons on the parcel shelf have been deleted. Also deleted are the plastic buckle storage housings in the rear squab. The buckles protrude neatly from the cushion. Buckles are a new design from a new supplier.

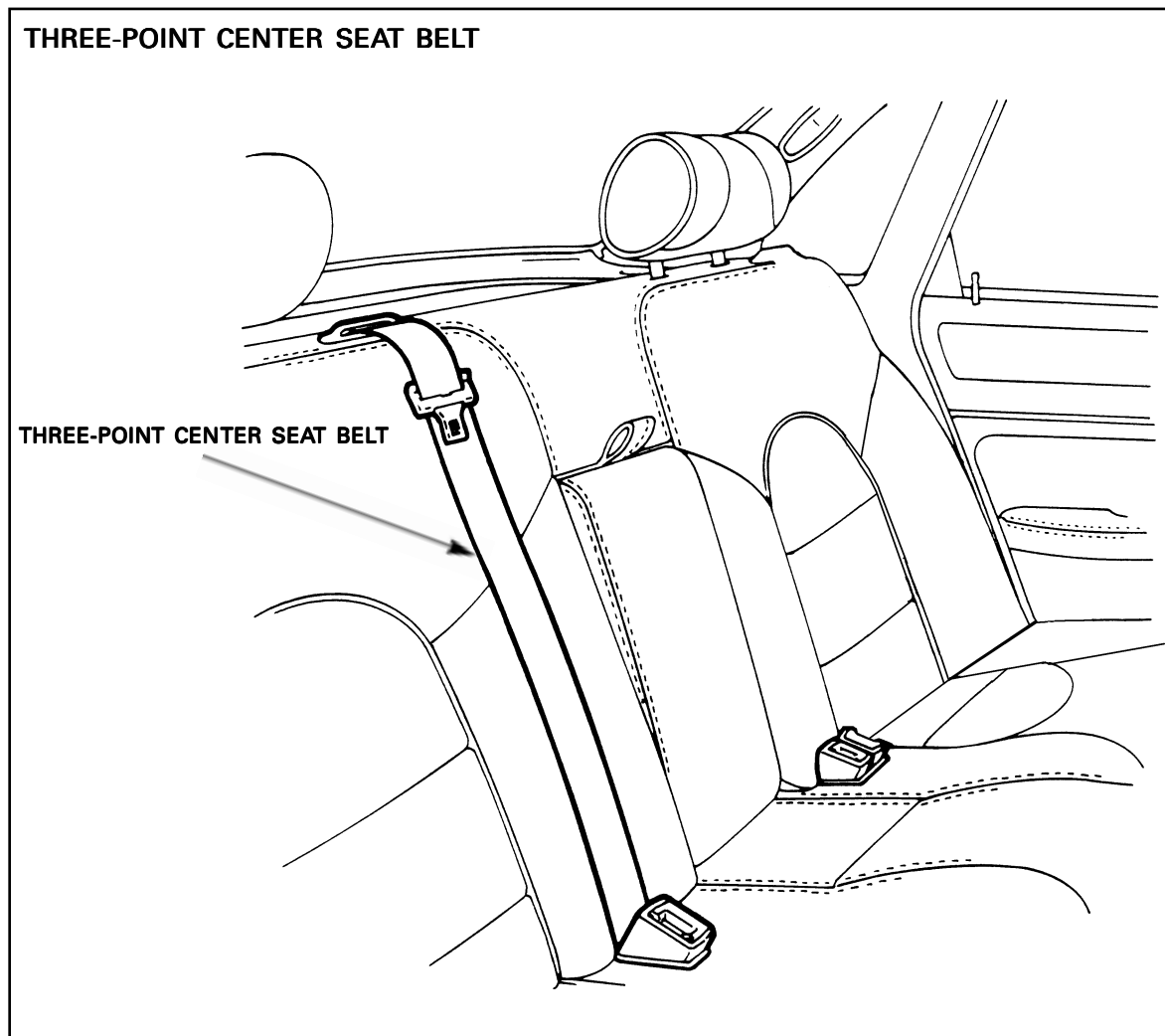


ILLUSTRATION 1

## SEAT COMFORT IMPROVEMENT

The rear seat of all models has been shortened. **All** models have a three seat contoured bench seat as standard instead of different rear seats previously installed. These seats are flatter than the previous model but retain the stitching styles. Two headrests have been retained, there is no headrest for the center occupant. The armrest stowage has been deleted on VDP models.

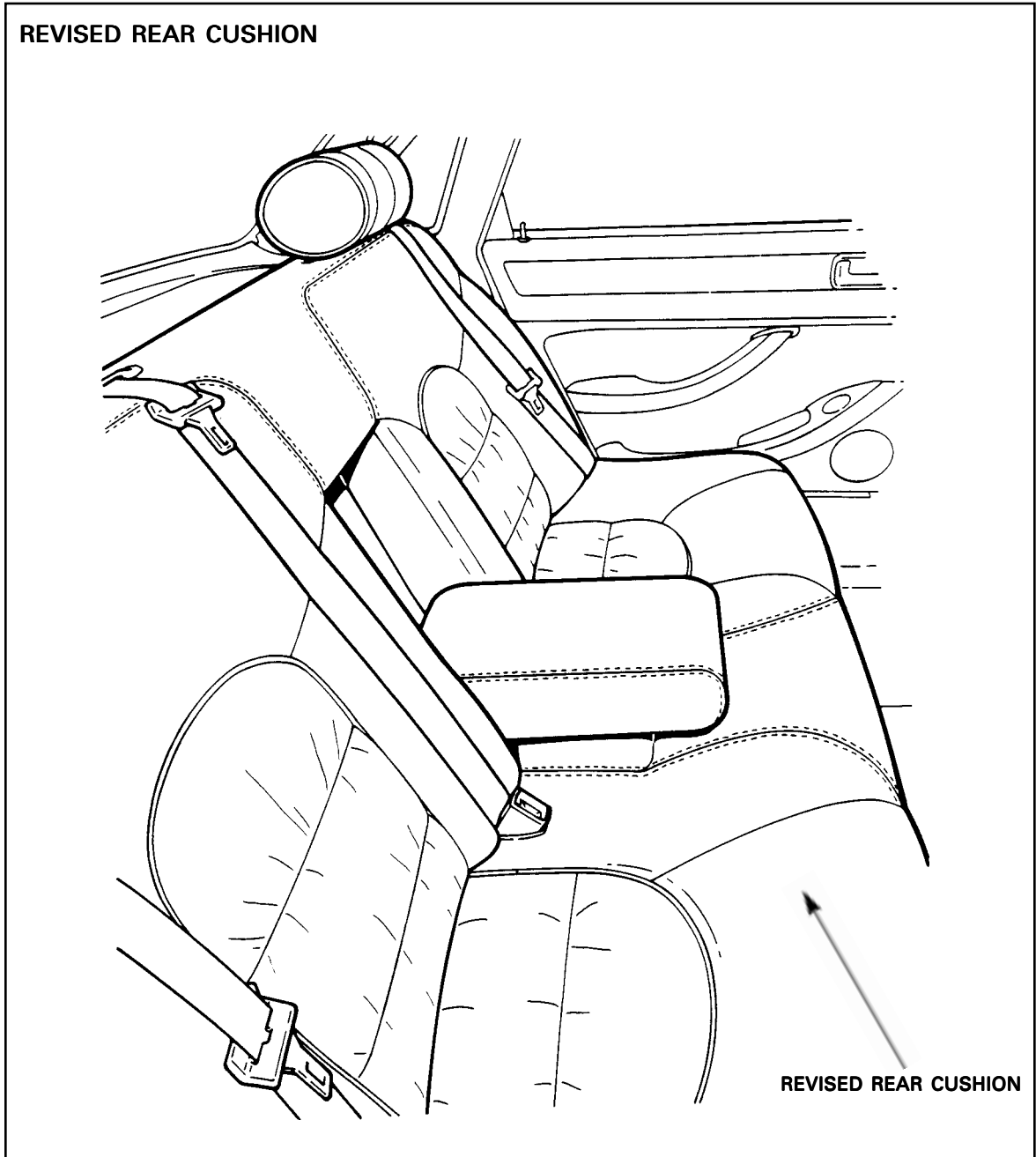


ILLUSTRATION 2

## CD AUTOCHANGER REPACKAGE

The CD autochanger unit and the Harmon-Kardon In-Car Entertainment (ICE) amplifier, when installed, are relocated in the luggage compartment to the left hand side, behind the rear wheel well using kit JLM 20053. This relocation results in more useable height within the luggage compartment.

Body mounting points are provided for securing the mounting bracket. The CD autochanger fits inside the bracket while the power amplifier fits on top of the bracket. There are two bracket fixings above the power amplifier to support the trim. To allow access to load the CD player, an aperture is provided in the new trunk side trim.

New harnesses are used which are of sufficient length that, should Dealers require, the CD autochanger and/or Harmon-Kardon ICE amplifier can be installed below the parcel shelf as in 1995-96 MY Sedans.

Options are:

- CD player only
- CD player and Harmon-Kardon ICE (Harmon-Kardon ICE will no longer be a 'stand-alone' option).

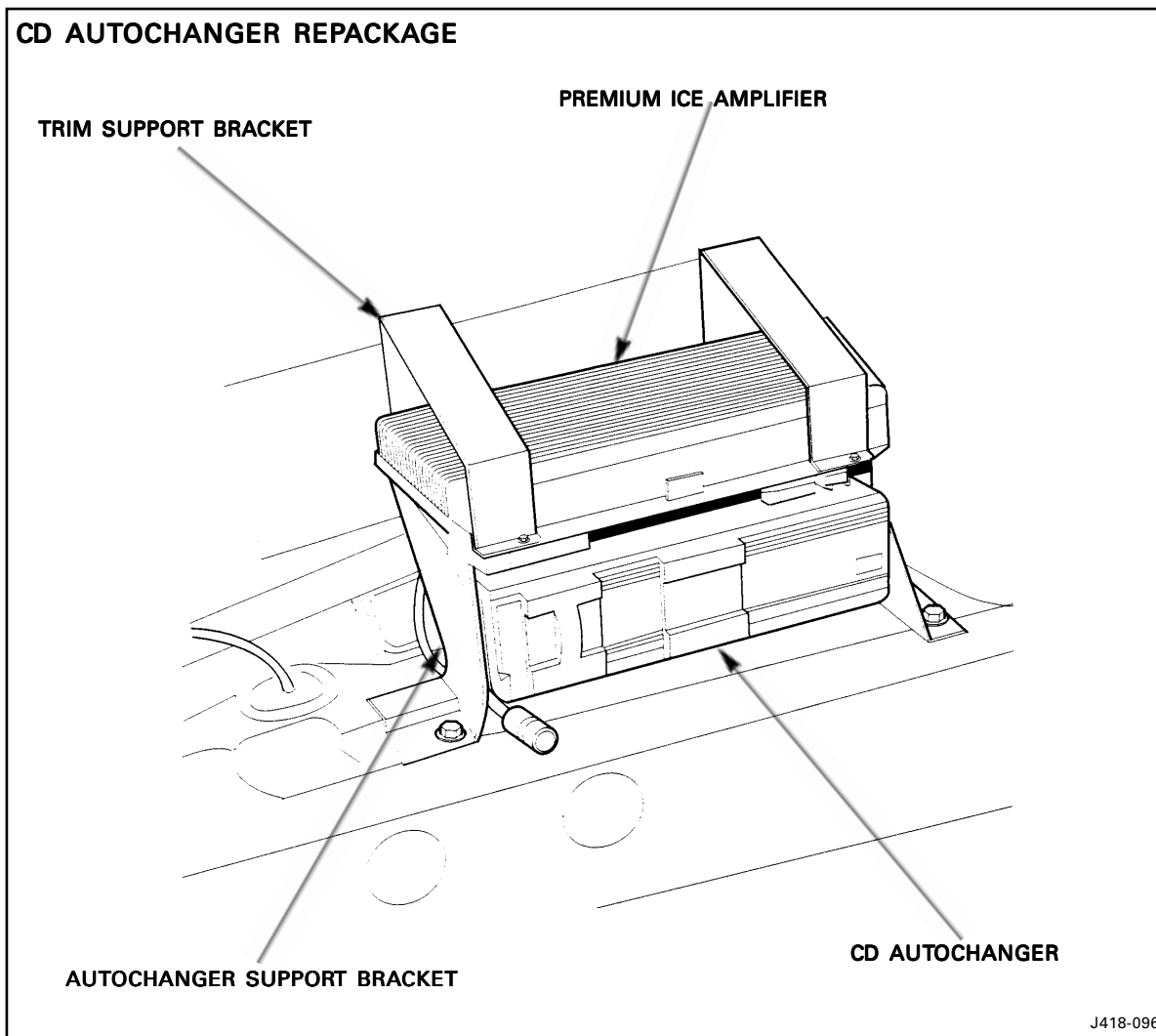


ILLUSTRATION 3

## PAINT COLORS

Five new Paint Colors have been introduced for the 1997 MY vehicles:

- Antigua
- Anthracite
- Aquamarine
- Sherwood
- Cabernet

The complete range of colors is shown below.

<b>JBC Ref</b>	<b>Code</b>	<b>Sales Color</b>	<b>JUC Ref</b>	<b>Sealer Color</b>
<b>SOLID</b>				
753	HFB	British Racing Green	07	Dark Green
732	DM	Spindrift	03A	White
<b>METALLIC</b>				
806	JGE	Sapphire Blue	08	Dark Blue
821	MDP	Ice Blue	16A	Light Grey/Blue
820	SDN	Topaz	21A	Light Grey/Beige
<b>MICA</b>				
811	CFS	Carnival Red	19A	Red
735	HEV	Jade Green	09	Light Green
810	LFA	Titanium	15	Dark Grey/Blue
<b>MICA NEW 1997 MY</b>				
835	HFR	Sherwood	07	Dark Green
859	PDX	Anthracite	20	Black
839	JGY	Aquamarine	31	Mid Green
840	JGZ	Antigua	23	Mid Blue
819	CGE	Cabernet	19A	Red
<b>SPECIAL ORDER</b>				
807	PDT	Solid Black	20	Black

## FEATURE CHANGES TO VARIOUS MODELS

<b>FEATURES FOR USA</b>	<b>XJ6 SWB</b>	<b>XJ6 L LWB</b>	<b>XJR SWB</b>	<b>VDP LWB</b>
Hood leaper	std.	std.	std.	std.
Alpine AJ9505A radio	std.	std.	std.	std.
Air conditioning	std.	std.	std.	std.
All chrome upper environment	std.	std.	std.	std.
RF locking/RF base security system	std.	std.	std.	std.
Sun roof	std.	std.	std.	std.
Cup holder	std.	std.	std.	std.
Cruise control	std.	std.	std.	std.
Automatic transmission	std.	std.	std.	std.
Carpet mats	std.	std.	std.	n/a
Lambswool rugs	n/a	n/a	n/a	std.
Cellular phone harness	std.	std.	std.	std.
Driver and passenger airbag/SRS	std.	std.	std.	std.
Black grille vanes	std.	std.	n/a	n/a
Electric seats, driver and passenger	std.	std.	std.	std.
All weather package:	opt.	opt.	opt.	opt.
Traction control				
Heated front and rear seats				
Harmon Kardon sound system (including CD Autochanger)	opt.	opt.	std.	opt.
CD Autochanger	opt.	opt.	std.	opt.
Convenience package:	opt.	opt.	std.	std.
Garage door opener				
Interior electrochromic mirror				
Driver seat, ext. mirrors and steering column memory				
Revised trunk lid badge	n/a	std.	n/a	n/a
Rear cigar lighter	n/a	n/a	n/a	std.
Front seat adjust from rear	n/a	n/a	n/a	std.
7 x 16 dimple diamond turned alloy wheels and full size spare	std.	std.	n/a	n/a
8 x 17 Sport alloy wheels and full size spare	n/a	n/a	std.	n/a
Sport suspension	n/a	n/a	std.	n/a
7 x 16 20-spoke alloy wheels and full size spare	n/a	n/a	n/a	std.

std. = standard

opt. = optional

n/a = not applicable

## FEATURES FOR CANADA

	<b>XJ6 SWB</b>	<b>XJR SWB</b>	<b>VDP LWB</b>
Hood leaper	std.	std.	std.
Alpine AJ9505A radio	std.	std.	std.
Air conditioning	std.	std.	std.
All chrome upper environment	std.	std.	std.
RF locking/RF base security system	std.	std.	std.
Sun roof	std.	std.	std.
Cup holder	std.	std.	std.
Cruise control	std.	std.	std.
Automatic transmission	std.	std.	std.
Carpet mats	std.	std.	n/a
Lambswool rugs	n/a	n/a	std.
Cellular phone harness	std.	std.	std.
Driver and passenger airbag/SRS	std.	std.	std.
Black grille vanes	std.	n/a	n/a
Electric seats, driver and passenger	std.	std.	std.
All weather package:	std.	std.	std.
Traction control			
Heated front and rear seats			
Heated door mirrors			
Heated windshield			
Heated windshield washer jets			
Engine block heater			
Harmon Kardon sound system (including CD Autochanger)	opt.	std.	opt.
CD Autochanger	opt.	std.	std.
Convenience package:	std.	std.	std.
Garage door opener			
Interior electrochromic mirror			
Driver seat, ext. mirrors and steering column memory			
Rear cigar lighter	n/a	n/a	std.
Front seat adjust from rear	n/a	n/a	std.
7 x 16 dimple diamond turned alloy wheels and full size spare	std.	n/a	n/a
8 x 17 Sport alloy wheels and full size spare	n/a	std.	n/a
Sport suspension	n/a	std.	n/a
7 x 16 20-spoke alloy wheels and full size spare	n/a	n/a	std.

std. = standard

opt. = optional

n/a = not applicable