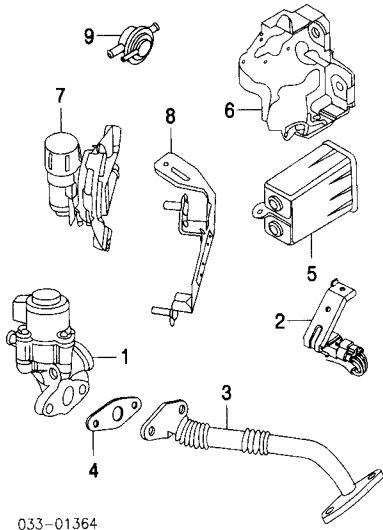


JAGUAR XK8/XKR 1997-05

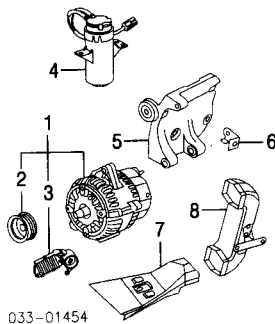
EMISSION SYSTEM Cont'd



4 Gasket, EGR Pipe (2)	NCA4771BE	m	2.95
1997-02			
2003-05			
Upper	AJ8008559	m	3.00
Lower	AJ8002340	m	11.50
5 Canister, Vapor	NNB6110AB	m	.6
6 Brkt, Canister Mounting	97-99 NJA6108DC	m	43.85
	00-05 NJB6108AA	m	39.35
7 Valve, Purge Control	97-99 LJA1515AA	m	.7
	00-05 LJB1515AA	m	.7
*Order by Application			
8 Brkt, Purge Valve	97-99 NJA5978BB	m	6.85
9 Valve, Pressure Control	LJB1525AA	m	55.40
*Order by Application			
Sensor, Oxygen-See Exhaust Section			

ELECTRICAL

ALTERNATOR

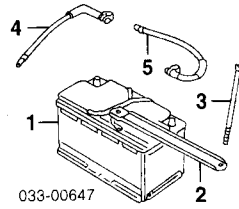


1 Alternator Assy	LNC1800AA	m	1.1	575.00
1997-03	C2C019630	m	1.1	595.00
2004-05				
2 Pulley, Alternator (a)	JLM020235	m		28.95
3 Regulator, Alternator (a)	JLM020187	m		229.20
(a) Included w/Alternator Assy				
Belt, Drive-See Cooling Section				
4 Module, Suppression	LJA1820AA	m	.6	88.35
5 Bracket, Mount	NCA8302AA			67.75
1997-99				
2000-02	NCA8302AA			67.75
XK8	NCC8302AA			54.35
XKR	C2C022757			80.50
2003	LJB1825AB			14.85
2004-05				
*Order by Application				
6 Bracket, Connector	LJA3890NA			3.60
7 Duct, Front Cooling	HJA4477AD			22.35
8 Duct, Rear Cooling	LJB1810AA			28.00

BATTERY

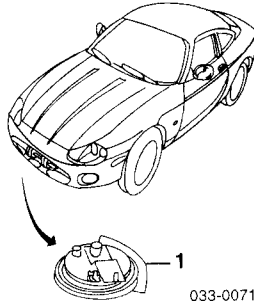
Illustration Located in Next Column

1 Battery	N.A.		.6	0.00
2 Bracket, Hold-Down	GNB3542AB			5.75



3 Bolt, Hold-Down	R/L GNB3544AC			2.90
4 Cable, Positive	LNC3690AA			120.00
5 Cable, Negative				
To VIN A36873	XR8040827		.5	26.25
From VIN A36874	XR8047017		.5	0.00

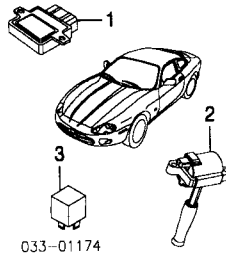
HORN



1 Horn				
1997-02	LJA4001AA		.3	89.10
High Note	LJA4000AA		.3	89.10
Low Note				
2003-05				
To VIN A42536	C2N003582		.3	66.25
From VIN A42537	C2N003582		.3	66.25

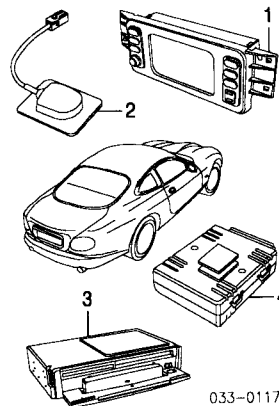
IGNITION

R&R Ignition Coils Complete.....m 1.2



1 Module, Ignition (2)	97-02 LJA1450AF	m	.5	351.00
	03-05 N.A.	m	.5	0.00
2 Coil, Ignition (8)	97-02 LCA1510AB	m	.4	102.25
	03-05 AJ8007644	m	.4	43.80
*Order by Application				
3 Relay, Starter	LJA6703AA	m	.3	8.90
*As Required				

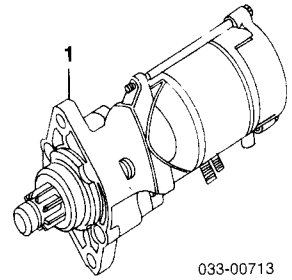
NAVIGATION SYSTEM



1 Display, Navigation	00-05 LJD2440AD	m	.8	2050.00
-----------------------	-----------------	---	----	---------

2 Antenna	00-05 LJD2449AA	m	.5	140.10
3 Module, Navigation	00-05 LJD2442AB	m	.6	2750.00
4 Module, Interface	00-03 LJD2442FC	m	.6	264.00
	04-05 N.A.	m	.6	0.00

STARTER

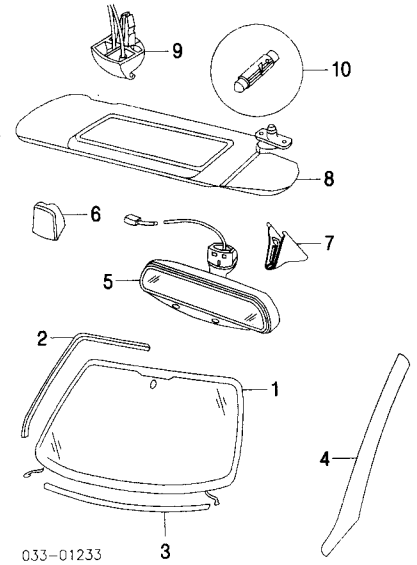


1 Starter	AJ8003990	m	1.0	845.00
-----------	-----------	---	-----	--------

WINDSHIELD

Use Procedure Explanation 13 with the following text.

R&I Windshield #4.3
#Includes Clean Up Old Adhesive as Necessary



1 Windshield				
Jaguar (Tint)				
1997-02				
w/Rain Sensor				
Heated	GJD8801AC		#4.0	675.00
Non-Heated	GJD8801BC		#4.0	590.00
w/o Rain Sensor				
Heated	GJA8801CE		#4.0	760.00
Non-Heated	GJA8801AE		#4.0	525.00
2003				
Heated	GJG8801AB		#4.0	680.00
Non-Heated	GJF8801BC		#4.0	565.00
2004-05				
Heated	C2N002959		#4.0	650.00
Non-Heated	C2N002960		#4.0	496.00
NAGS (Green)				
1997-01				
w/Rain Sensor				
Heated	FW02251GTN		#4.0	0.00
Non-Heated	FW02250GTN		#4.0	266.60
w/o Rain Sensor				
Heated	FW02027GTN P		#4.0	739.20
Non-Heated	FW02026GTN P		#4.0	225.50
2002-05				
w/Rain Sensor				
Heated	FW02251GTN		#4.0	0.00
Non-Heated				
To VIN A24195	FW02050GTN		#4.0	0.00
From VIN A24196	FW02363GTN		#4.0	0.00
w/o Rain Sensor				
Heated	FW02027GTN P		#4.0	739.20
Non-Heated	FW02026GTN P		#4.0	225.50
#Includes Clean Up Old Adhesive as Necessary				
2 Moulding, Reveal	R GJA8850AB		.7	196.25
	L GJA8851AB		.7	196.25
	HJA3845AA			32.70
3 Seal, Lower W/S				
4 Mldg, Inside Garnish				
Gray	97-00 R HJA2122ABLFJ		.2	d88.35
	L HJA2123ABLFJ		.2	88.35
	01-03 R HJE2122BCLFJ		.2	86.00

Table listing parts for Oatmeal, Mirror, Rear View, and Cover, Mirror Support. Includes part numbers, descriptions, and prices.

Table listing parts for Sensor, Rain, Cover, Rain Sensor, and Visor, Sun. Includes part numbers, descriptions, and prices.

Table listing parts for 9 Support, Sun Visor and 10 Bulb, Map Lamp. Includes part numbers, descriptions, and prices.

WIPER SYSTEM

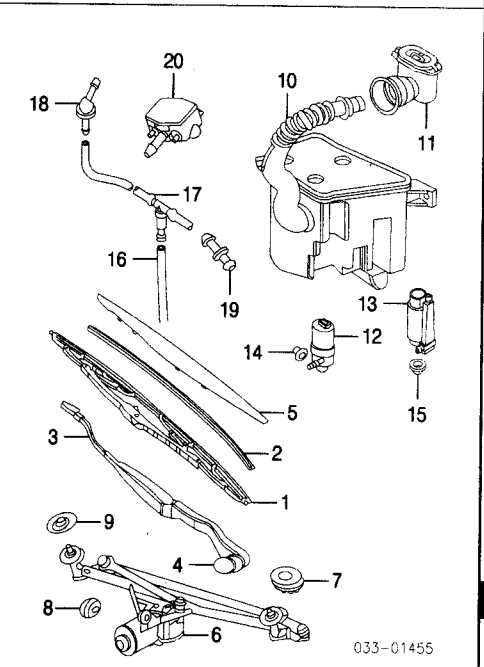


Table listing parts for the Wiper System. Includes part numbers, descriptions, and prices.

Table listing parts for Tube, Washer and Connector, Tube. Includes part numbers, descriptions, and prices.

COWL & DASH

Use Procedure Explanations 14 and 28 with the following text.

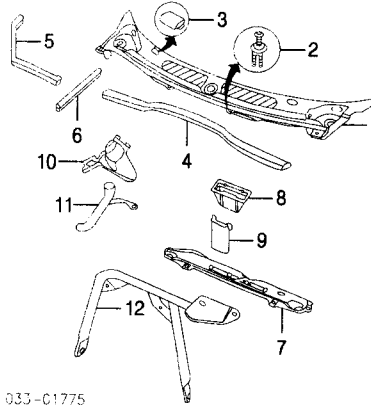


Table listing parts for the Cowl & Dash. Includes part numbers, descriptions, and prices.

INSTRUMENT PANEL

Use Procedure Explanation 14 with the following text.

Table listing parts for the Instrument Panel. Includes part numbers, descriptions, and prices.

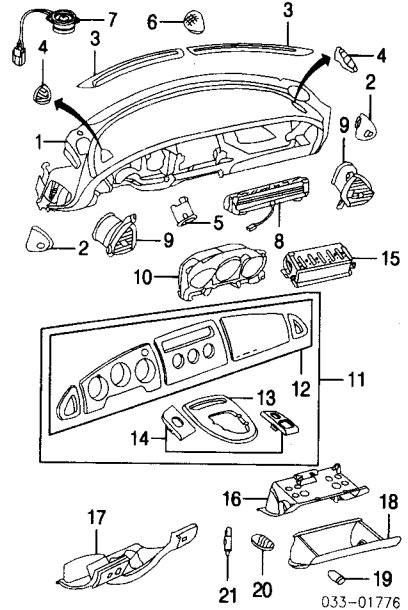


Table listing parts for the Center Console. Includes part numbers, descriptions, and prices.

CENTER CONSOLE

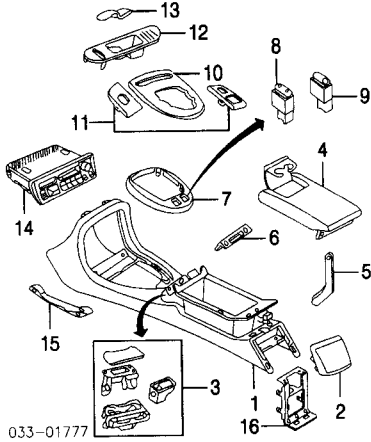
Use Procedure Explanation 14 with the following text.

Table listing parts for the Center Console. Includes part numbers, descriptions, and prices.

NOTE: All Parts in this section are included in R&R Center Console unless noted otherwise.

JAGUAR XK8/XKR 1997-05

CENTER CONSOLE Cont'd



1 Console, Center 1997	GJD7610AALEG	3.5	935.00
1998-02 Classic Level Trim	GJD7610BALEG	3.5	d950.00
Sport Level Trim	GJD7610AALEG	3.5	935.00
2003-05	GJD7610CALEG	3.5	290.00
2 Panel, Rear Finish	GJA7650CALEG		84.50
3 Ashtray, Center	GJA7640CBLEG		179.25
4 Lid, Console w/Cup Holder			
1997-02 Classic Level Trim	97 GNA7670BGLEG	.5	240.00
	98-99 GNA7670BJLEG	.5	299.00
	00-02 GJD7670BALEG	.5	d244.15
Sport Level Trim	GJD7670AALEG	.5	288.00
2003-05	GJD7670BALEG	.5	d244.15
w/o Cup Holder			
1997-02 Classic Level Trim		.5	165.00
Ambia Trim	GNA7681AALEG	.5	174.50
Leather	GJA7681AALEG	.5	158.50
Sport Level Trim	97-98 GJA7681AALEG	.5	145.00
	99-02 GJB7681BALEG	.5	174.50
2003-05	GJB7681AALEG	.5	174.50
*Charcoal listed, Order by Application			
5 Link, Stop 1997-98	GJA7663AA	15.45	
1999	GJB7663AA	13.75	
2000-02 w/Telephone	GJD7663CA	14.30	
w/o Telephone	GJB7663AA	13.75	
2003-05	GJD7663CA	14.30	
6 Latch, Lid	GJA7661AA	12.55	
7 Bezel, Switch w/Cruise Control			
XK8	LJA6221DE	.4	97.90
XKR	LJD6221BA	.4	96.05
w/o Cruise Control			
XK8	LJA6221CF	.4	55.90
XKR	LJB6221AA	.4	71.35
8 Switch, Cruise Control-See Cruise Control System Section			51.05
9 Switch, Hood Release	LJA6229BA		
10 Trim, Console-See Instrument Panel Section			
11 Plate Kit, Trim-See Instrument Panel Section			
12 Tray, Coin Coupe	GJA7842ABLEG	54.35	
Conv	GJA7842BDLEG	50.00	
13 Liner, Coin Tray	GJA7843ABLEG	3.40	
14 Radio, AM-FM Cassette 97	LJA4100BA	#1.8	391.00
98-99	LJB4100BA	#1.8	910.00
00-05	LJD4100AB	#1.8	985.00
*Includes R&L Center Console Assy, Not Included in R&R Center Console			
15 Brkt, Console	R GJA7846AD		24.00
	L GJA7847AD		24.00
	C2N001755		2.70
16 Brkt, Rear			

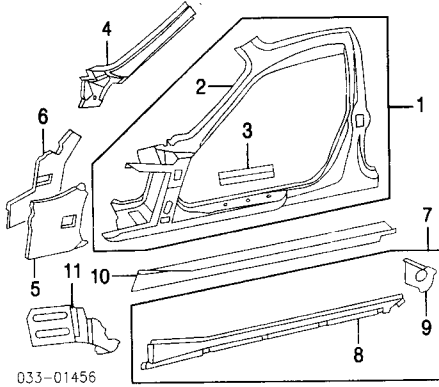
ROCKER/PILLARS/FLOOR

Use Procedure Explanations 14, 15 and 28 with the following text.

SHEET METAL COUPE

Refinish Side Body Panel Assy	R/L	4.0
Refinish Hinge Pillar	R/L	1.0
Refinish Rocker Panel	R/L	1.6
R&R Hinge Pillar	R/L	8.5
R&R Rocker Panel	R/L	#7.0

#Deduct 1.5 w/Quarter Panel Removed



1 Frame Assy, Door Opening 97-03 R	FJE3304AA	s #18.4	499.00
L	FJE3305AA	s #18.4	499.00
04-05 R	C2N002837	s #18.4	414.00
L	C2N002839	s #18.4	414.00
2 Frame, Door Opening 97-03 R	FJA1304AJ	s #19.5	201.90
L	FJA1305AJ	s #19.5	201.90
04-05 R	C2N002855	s #19.5	335.00
L	C2N002857	s #19.5	335.00

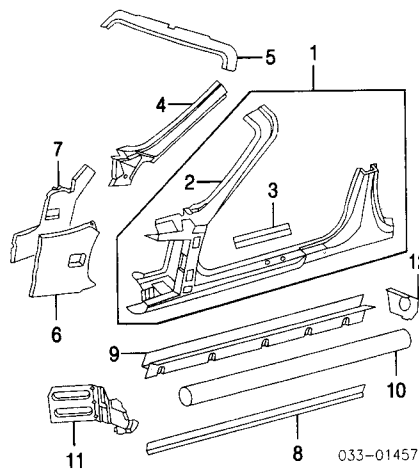
#w/Necessary Bolted Parts, Windshield & Necessary Trim

3 Reinf, Rocker Panel 1997	R/L CAP000225	s	154.50
*Included w/Door Opening Frame Assy			
4 Reinf, W/S Pillar	R FJA1162AC	2.0	146.30
	L FJA1163AC	2.0	146.30
5 Panel, Outer Pillar 97-03 R	FJA1974AD		182.85
	L FJG1975AA		161.20
04-05 R	FJG1974AA		161.20
	L FJG1975AA		161.20
6 Panel, Inner Pillar	R FJG1916AB	193.65	
	L FJG1917AB	193.65	
7 Reinforcement Assy, Outer Rocker 1997-99-Serviced by Components			
2000-05	R FJD3338AA	s	120.00
	L FJD3339AA	s	120.00
8 Reinf, Outer Rocker 1997-99 (a)	R JLM200068	s	309.00
	L FJD3339AA	s	120.00
2000-05-Serviced w/Outer Rocker Reinf Assy			
9 Panel, Rear Closing (a)	R C2N003418		40.65
	L FJA2233AC		46.25
*(a) Included w/Outer Rocker Reinforcement Assy			
10 Panel, Inner Rocker	R/L JLM200066-7	s	205.50
11 Panel, Front Closing	R FJA1342AE		77.25
	L FJA1343AE		77.25

SHEET METAL CONV

Refinish Side Body Panel Assy	R/L	3.5
Refinish Hinge Pillar	R/L	1.0
Refinish Rocker Panel	R/L	1.6
Refinish Header Panel		1.2
R&R Hinge Pillar	R/L	8.5
R&R Rocker Panel	R/L	#7.0

#Deduct 1.5 w/Quarter Panel Removed



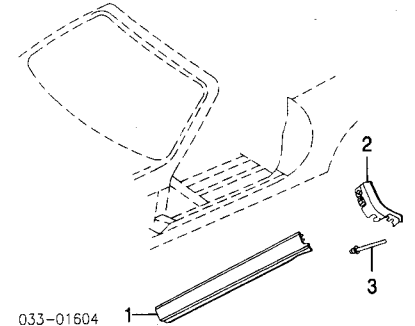
1 Frame Assy, Door Opening 97-03 R	FJE3304BA	s #16.0	377.00
L	FJE3305BA	s #16.0	377.00
04-05 R	C2N002838	s #16.0	345.00
L	C2N002840	s #16.0	345.00
2 Frame, Door Opening 97-03 R	FJA1304BJ	s #18.5	184.90
L	FJA1305BJ	s #18.5	184.90
04-05 R	C2N002856	s #18.5	276.00
L	C2N002858	s #18.5	276.00

#w/Windshield, Necessary Trim & Bolted Parts & Assemblies

3 Reinf, Rocker Panel 1997	R/L CAP000225	s	154.50
*Included w/Door Opening Frame Assy			
4 Reinf, W/S Pillar	R FJA1162AC	2.0	146.30
	L FJA1163AC	2.0	146.30
5 Panel, Header #w/Windshield, Necessary Trim. Bolted Parts & Assemblies	FJA3104BD	#5.4	381.00
6 Panel, Outer Pillar 1997-02	R FJA1974AD		182.85
	L FJG1975AA		161.20
7 Panel, Inner Pillar	R FJG1916AB		193.65
	L FJG1917AB		193.65
8 Reinf, Upper Rocker 97-02 R/L	FJA1618BA	s	12.10
03-05 R/L	FJA1618BB	s	11.40
9 Reinf, Lwr Rocker	R/L FJA3619BA	s	225.05
10 Tube, Reinforcement	R/L BJC001024	s	154.50
11 Panel, Front Closing	R FJA1342BE		77.25
	L FJA1343BE		77.25
12 Panel, Rear Closing	R C2N003418		40.65
	L FJA2233AC		46.25

EXTERIOR TRIM COUPE

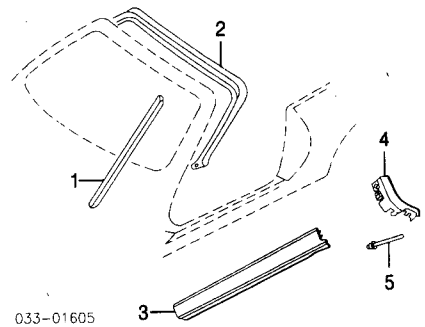
Refinish Rocker Panel Moulding	R/L	1.2
Refinish End Cap	R/L	.3



1 Moulding, Rocker Panel (P)	R C2N003522XXX	1.1	114.25
	L C2N003523XXX	1.1	114.25
2 Cap, End (P)	R C2N003409XXX		18.35
	L C2N003410XXX		18.35
*(P) Paint to Match			
3 Rivet, Moulding (9/Side)	R/L C2C003564		1.85

EXTERIOR TRIM CONV

Refinish Rocker Panel Moulding	R/L	1.2
Refinish End Cap	R/L	.3



1 Moulding, Pillar	R HJE7708AA	.2	131.10
	L HJE7709AA	.2	131.10
2 W/Strip, Header	HJC7715AD	.5	205.00
3 Moulding, Rocker Panel (P)	R C2N003522XXX	1.1	114.25
	L C2N003523XXX	1.1	114.25
4 Cap, Moulding (P)	R C2N003409XXX		18.35
	L C2N003410XXX		18.35
*(P) Paint to Match			
5 Rivet, Moulding (9/Side)	R/L C2C003564		1.85

INTERIOR TRIM COUPE

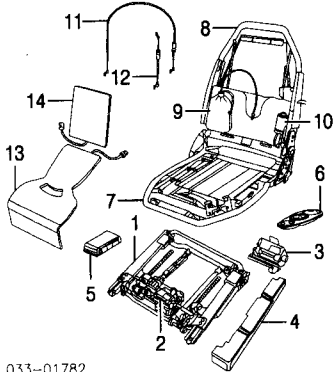
Illustration Located in Next Column

1 Midg, Inside Garnish-See Windshield Section			
2 Panel, Cowl Trim	R HJA1380ADLEG	.3	109.70
	L HJA1381ADLEG	.3	109.70
*Charcoal listed, Order by Application			
3 Weatherstrip, Door Opening	R HJA5384AJ	.6	289.00
	L HJA5385AJ	.6	289.00
4 Seal, Lower	R/L HJA1650AD	.4	63.70

JAGUAR XK8/XKR 1997-05

FRONT SEAT Cont'd

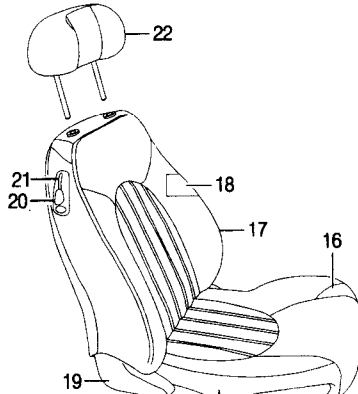
W/O RECARO SEATS LOW BACK Cont'd



033-01782

1997-00 Passenger Side Driver Side	GJD4800DA GJD4801DA	#.3 #.3	1100.00 1070.00
2001-05 Passenger Side Driver Side	GJE4800DA GJE4800DA	#.3 #.3	1100.00 1100.00
w/o Memory			
1997-00 Passenger Side Driver Side	GJD4800CA GJD4800CA	#.3 #.3	1470.00 1470.00
2001-05 Passenger Side Driver Side	GJE4800CA GJE4802CA GJA4713BA GJA4711CA	#.3 #.3 #.3 #.3	1100.00 1100.00 590.00 515.00
2 Motor, Height Adjust† 3 Motor, Fore/Aft Adjust† †Order by Application #w/Seat Assy Removed, R&R One Side Complete			
4 Cover, Track† 1997-00 Passenger Side Driver Side 2001-05 Passenger Side Driver Side			
	GJA4750ABLEG GJA4751ABLEG GJE4750ACLEG GJA4751ACLEG		30.55 16.85 11.90 11.90
†Charcoal listed, Order by Application			
5 Module, Seat Control† 1997 To VIN 003299 Passenger Side Driver Side From VIN 003300 Passenger Side Driver Side 1998-00 Passenger Side Driver Side 2001-05 Passenger Side Driver Side			
	LJA2160AE00D LJA2160AE00D LJA2160AG4 LJA2160AG4 LJA2160AG4 LJA2160AG4 LJE2160AB1 LJE2160AB1	#.2 #.2 #.2 #.2 #.2 #.2 #.2 #.2	0.00 0.00 375.00 375.00 375.00 375.00 396.00 396.00
†Order by Application			
6 Switch, Seat† 1997-00 4-Way Adjust Passenger Side Driver Side 6-Way Adjust Passenger Side Driver Side 2001-05 8-Way Adjust Passenger Side Driver Side 12-Way Adjust Passenger Side Driver Side			
	LJB6030AALEG LJB6030AALEG LJB6035AALEG LJB6035AALEG LJE6030ABLEG LJE6031ABLEG LJE6034ABLEG LJE6035ABLEG	#.2 #.2 #.2 #.2 #.2 #.2 #.2 #.2	146.00 146.00 155.55 155.55 124.40 124.40 124.40 124.40
†Charcoal listed, Order by Application #w/Seat Assy Removed			
7 Frame, Seat Bottom Passenger Side Driver Side			
	GJE4220BA GJE4220BA	#.8 #.8	675.00 675.00
#w/Seat Assy Removed, Includes R&R Seat Cushion Cover & Pad			
8 Frame, Backrest Passenger Side Driver Side			
	GJE4230CA GJE4231CA	#.9 #.9	525.00 625.00
#w/Seat Assy Removed, Includes R&R/R&R Seat Back Cover & Pad			
9 Adjuster, Lumbar Passenger Side Driver Side			
	GJE4776AA GJE4776AA		279.00 279.00
10 Motor, Backrest Passenger Side Driver Side			
	97-00 R/L GJA4713AA 01-05 R/L GJE4713AA 97-00 R/L GJA4713AA 01-05 R/L GJE4713AA		515.00 468.00 515.00 468.00
Cable, Actuator			
11 Long Passenger Side	BEC009309		79.60

12 Driver Side Short Passenger Side Driver Side	BEC009309 GJE4764AA GJE4764AA		79.60 19.15 19.15
13 Heater, Seat Cushion Passenger Side Driver Side	LXG2700AA LXG2700AA		84.75 84.75
14 Heater, Seat Back Passenger Side Driver Side	LXG2706AA LXG2706AA		84.75 84.75

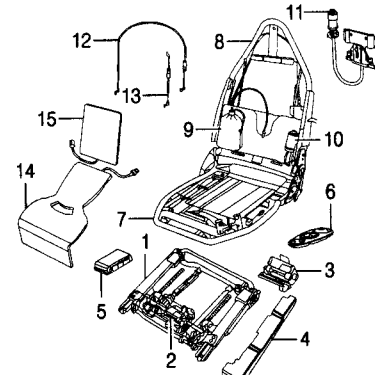


033-01779

15 Cover, Seat Cushion† Passenger Side Driver Side	C2N2384LEG C2N2385LEG	#.8 #.8	0.00 0.00
†Charcoal listed, Order by Application			
16 Pad, Seat Cushion Passenger Side Driver Side	GXG4560AA GXG4403AB	#.8 #.8	216.85 196.25
#w/Seat Assy Removed, R&R One Side Complete			
17 Cover, Seat Back† Passenger Side Driver Side	C2N2386LEG C2N2387LEG	#.9 #.9	0.00 0.00
†Charcoal listed, Order by Application			
18 Pad, Seat Back Passenger Side Driver Side	GJE4300AA GJE4301AA	#.9 #.9	173.05 173.05
#w/Seat Assy Removed, R&R One Side Complete			
19 Cover, Trim† Passenger Side Driver Side	R GJE4730AALEG L GJE4732AALEG R GJE4733AALEG L GJE4731AALEG	d41.10 d72.65 72.65 41.10	
20 Knob, Release† Passenger Side Driver Side	GJB4760AALEG GJB4760AALEG	15.55 15.55	
21 Bezel, Knob† Passenger Side Driver Side	GJE4762AALEG GJE4762AALEG	10.25 10.25	
22 Headrest† Passenger Side Driver Side	C2N2402LEG C2N2402LEG	#.1 #.1	0.00 0.00
†Charcoal listed, Order by Application #Included in R&R Seat Back Cover			

W/O RECARO SEATS HIGH BACK

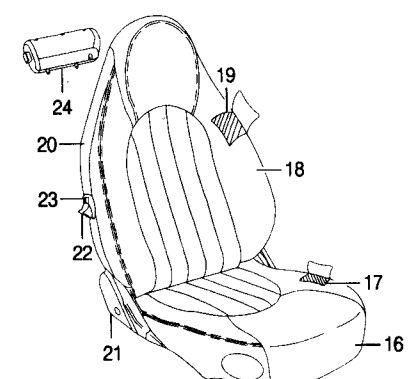
R&L Seat Assy.....			R/L .3
--------------------	--	--	--------



033-01783

1 Track, Adjuster Seat† w/Memory 1997-00 Passenger Side Driver Side 2001-05 Passenger Side Driver Side	GJD4800DA GJD4801DA GJE4800DA GJE4800DA	#.3 #.3 #.3 #.3	1100.00 1070.00 1100.00 1100.00
---	--	--------------------------	--

w/o Memory 1997-00 Passenger Side Driver Side 2001-05 Passenger Side Driver Side	GJD4800CA GJD4800CA GJE4800CA GJE4802CA GJA4713BA GJA4711CA	#.3 #.3 #.3 #.3 #.3 #.3	1470.00 1470.00 1100.00 1100.00 590.00 515.00
2 Motor, Height Adjust† 3 Motor, Fore/Aft Adjust† †Order by Application #w/Seat Assy Removed, R&R One Side Complete			
4 Cover, Track† 1997-00 Passenger Side Driver Side 2001-05 Passenger Side Driver Side			
	GJA4750ABLEG GJA4751ABLEG GJE4750ACLEG GJE4751ACLEG		30.55 16.85 11.90 11.90
†Charcoal listed, Order by Application			
5 Module, Seat Control† 1997 To VIN 003299 Passenger Side Driver Side From VIN 003300 Passenger Side Driver Side 1998-00 Passenger Side Driver Side 2001-05 Passenger Side Driver Side			
	LJA2160AE00D LJA2160AE00D LJA2160AG4 LJA2160AG4 LJA2160AG4 LJA2160AG4 LJE2160AB1 LJE2160AB1	#.2 #.2 #.2 #.2 #.2 #.2 #.2 #.2	0.00 0.00 375.00 375.00 375.00 375.00 396.00 396.00
†Order by Application			
6 Switch, Seat† 1997-00 4-Way Adjust Passenger Side Driver Side 6-Way Adjust Passenger Side Driver Side 2001-05 8-Way Adjust Passenger Side Driver Side 12-Way Adjust Passenger Side Driver Side			
	LJB6030AALEG LJB6030AALEG LJB6035AALEG LJB6035AALEG LJE6030ABLEG LJE6031ABLEG LJE6034ABLEG LJE6035ABLEG	#.2 #.2 #.2 #.2 #.2 #.2 #.2 #.2	146.00 146.00 155.55 155.55 124.40 124.40 124.40 124.40
†Charcoal listed, Order by Application #w/Seat Assy Removed			
7 Frame, Seat Bottom Passenger Side Driver Side			
	GJE4220BA GJE4220BA	#.8 #.8	675.00 675.00
#w/Seat Assy Removed, Includes R&R Seat Cushion Cover & Pad			
8 Frame, Backrest Passenger Side Driver Side			
	GJE4230CA GJE4231CA	#.9 #.9	525.00 625.00
#w/Seat Assy Removed, Includes R&R/R&R Seat Back Cover & Pad			
9 Adjuster, Lumbar Passenger Side Driver Side			
	GJE4776AA GJE4776AA		279.00 279.00
10 Motor, Backrest Passenger Side Driver Side			
	R/L GJE4713AA R/L GJE4713AA GJE4770CA		468.00 468.00 212.70
11 Motor, Headrest Adjust Cable, Actuator			
12 Long Passenger Side Driver Side	BEC009309 BEC009309		79.60 79.60
13 Short Passenger Side Driver Side	GJE4764AA GJE4764AA		19.15 19.15
14 Heater, Seat Cushion Passenger Side Driver Side	LXG2700AA LXG2700AA		84.75 84.75
15 Heater, Seat Back Passenger Side Driver Side	LXG2706AA LXG2706AA		84.75 84.75



033-01780

16 Cover, Seat Cushion† Passenger Side Cloth Leather	GJB4437ABLGE GJB4436BLEG	#.8 #.8	375.00 655.00
---	-----------------------------	------------	------------------

Driver Side Cloth	GJB4437ABLEG	#.8	375.00
Leather	GJB4437EBLEG	#.8	655.00
<i>¶Charcoal listed, Order by Application</i>			
17 Pad, Seat Cushion			
Passenger Side	GJA4402BC	#.8	234.35
Driver Side	GJA4403BC	#.8	234.35
<i>¶w/Seat Assy Removed, R&R One Side Complete</i>			
18 Cover, Seat Back¶			
Passenger Side			
Cloth	GJB4316AALEG	#.9	0.00
Leather	GJB4316EALEG	#.9	880.00
Driver Side			
Cloth	GJB4316AALEG	#.9	0.00
Leather	GJB4316EALEG	#.9	880.00
<i>¶Charcoal listed, Order by Application</i>			
19 Pad, Seat Back			
Passenger Side	GJD4300AA	#.9	181.80
Driver Side	GJD4300AA	#.9	181.80
<i>¶w/Seat Assy Removed, R&R One Side Complete</i>			
20 Panel, Seat Back Trim¶			
Passenger Side	GJB4600AALEG		530.00
Driver Side	GJB4601AALEG		530.00
21 Cover, Outer Trim¶			
Passenger Side	R GJB4731AALEG		46.20
	L GJB4733AALEG		43.60
Driver Side	R GJB4733AALEG		43.60
	L GJB4731AALEG		46.20
22 Knob, Release¶			
Passenger Side	GJB4760AALEG		15.55
Driver Side	GJB4760AALEG		15.55
23 Bezel, Knob¶			
Passenger Side	GJE4762AALEG		10.25
Driver Side	GJE4762AALEG		10.25
24 Pad, Headrest¶			
Passenger Side	LJE2165AB		337.00
Driver Side	LJE2165AB		337.00
<i>¶Charcoal listed, Order by Application</i>			

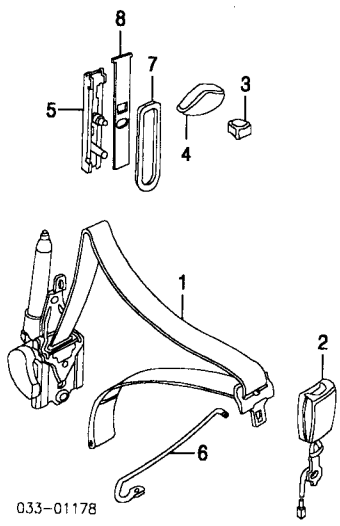
Coupe Conv	C2N3187LEG	#1.0	0.00
	C2N3192LEG	#1.0	0.00
2 Pad, Seat Back¶			
Coupe Conv	C2N3163LEG	#1.0	0.00
	C2N3166LEG	#1.0	0.00
<i>¶w/Seat Assy Removed, R&R Complete</i>			
3 Cover, Seat Cushion¶			
Coupe Conv	C2N3184LEG	#1.0	0.00
	C2N3188LEG	#1.0	0.00
4 Pad, Seat Cushion¶			
Coupe Conv	C2N3164LEG	#1.0	0.00
	C2N3167LEG	#1.0	0.00
<i>¶Charcoal listed, Order by Application</i>			
<i>¶w/Seat Assy Removed, R&R Complete</i>			

8 Shield, Slider Bar¶			
Coupe	R/L GJA2488ACLEG		10.50
<i>1997-02</i>			
<i>2003-05-Serviced w/Belt Height Adjuster</i>			
<i>¶Charcoal listed, Order by Application</i>			

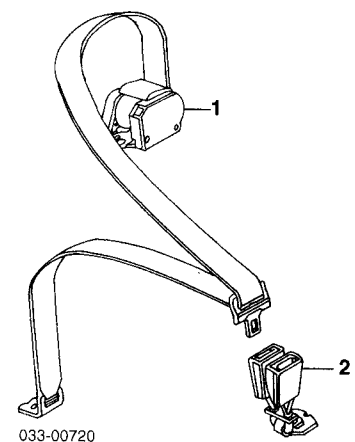
SEAT BELTS

Use Procedure Explanation 30 with the following text.

FRONT



1 Belt, Front Seat¶			
1997-00	R HJA7010ABLEG	1.2	187.50
	L HJA7055ABLEG	1.2	187.50
2001-02			
Coupe	R HJE7034ABLEG	1.2	185.95
	L HJE7033ABLEG	1.2	185.95
Conv	R HJE7034BBLEG	1.2	185.95
	L HJE7033BBLEG	1.2	185.95
2003			
Coupe	R C2N002199LEG	1.2	168.40
	L C2N002202LEG	1.2	168.40
Conv	R C2N002201LEG	1.2	168.40
	L C2N002204LEG	1.2	168.40
2004			
Coupe			
To VIN A40017	R C2N002199LEG	1.2	168.40
	L C2N002202LEG	1.2	168.40
From VIN A40018	R C2N003195LEG	1.2	152.95
	L C2N002202LEG	1.2	168.40
Conv			
To VIN A40017	R C2N002201LEG	1.2	168.40
	L C2N002204LEG	1.2	168.40
From VIN A40018	R C2N003196LEG	1.2	152.95
	L C2N002204LEG	1.2	168.40
2005			
Coupe	R C2N003195LEG	1.2	152.95
	L C2N002202LEG	1.2	168.40
Conv	R C2N003196LEG	1.2	152.95
	L C2N002204LEG	1.2	168.40
2 Buckle, Belt¶			
97-00	R HJA7012DALEG	.4	d179.60
	L HJB7012CALEG	.4	181.80
01-02	R HJD7012BALEG	.4	157.10
	L HJD7012AALEG	.4	134.45
03-05	R/L HJE7017AGLEG	.4	119.00
<i>¶Charcoal listed, Order by Application</i>			
3 Knob, Belt Adjuster			
Coupe			
1997-02	R/L HJA7140AALEG		2.25
<i>2003-05-Serviced w/Belt Height Adjuster</i>			
4 Cap, Seat Belt¶			
1997-02	R/L HND7150AALEG		1.80
2003-05			
Coupe	R/L HJE7151ABLEG		1.55
Conv	R/L HND7150AALEG		1.80
5 Adjuster, Belt Height¶			
Coupe			
97-02	R/L HJA7044AC		51.25
03-05	R/L HJE7044ABLEG		27.95
<i>¶Black listed, Order by Application</i>			
6 Bar, Belt Slider			
97-02	R HJA7040AA		24.05
	L HJA7041AA		24.05
03-05	R HJE7040BA		20.35
	L HJE7041BA		20.35
7 Bezel, Slider Bar¶			
Coupe			
97-02	R/L GJA2486ACLEG		10.50
03-05	R GJE2480ACLEG		10.75
	L GJE2481ACLEG		10.75



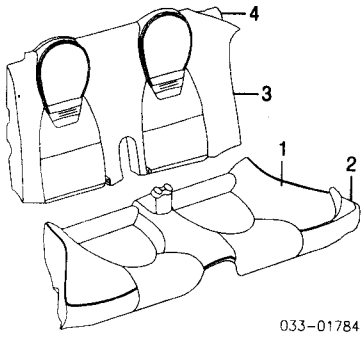
1 Belt, Outer Rear Seat¶			
97-99	R/L HJA7061ABLEG	1.6	181.80
00-02	R/L HJD7061AALEG	1.6	208.60
03-05	R/L HJE7061ABLEG	1.6	171.50
2 Buckle, Center Belt¶			
97-02	R/L HJA7090AALEG	#.2	86.00
03-05	R/L HJE7090ACLEG	#.2	62.35
<i>¶Charcoal listed, Order by Application</i>			
<i>¶w/Rear Seat Removed</i>			

REAR SEAT

Use Procedure Explanation 30 with the following text.

W/RECARO SEATS

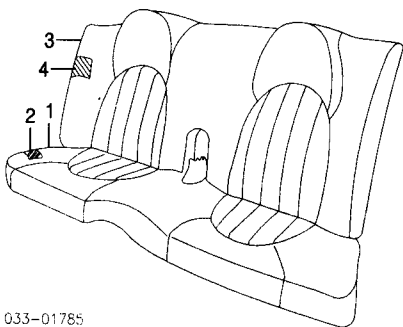
R&I Rear Seat Assy	.4
--------------------	----



1 Cover, Seat Back¶			
Coupe	GXG5584BAAGD	#1.0	1250.00
Conv	GXG5589AALEG	#1.0	1250.00
2 Pad, Seat Back¶			
Coupe	GXG5524BALEG	#1.0	1525.00
Conv	GXG5589AALEG	#1.0	1250.00
<i>¶w/Seat Assy Removed, R&R Complete</i>			
3 Cover, Seat Cushion¶			
Coupe	GXG5360AALEG	#1.0	1120.00
Conv	GXG5362AALEG	#1.0	1120.00
4 Pad, Seat Cushion¶			
Coupe	GXG5300BBLEG	#1.0	870.00
Conv	GXG5304ABLEG	#1.0	870.00
<i>¶Charcoal listed, Order by Application</i>			
<i>¶w/Seat Assy Removed, R&R Complete</i>			

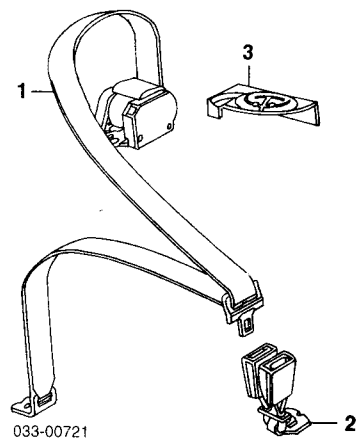
W/O RECARO SEATS

R&I Rear Seat Assy	.4
--------------------	----



1 Cover, Seat Back¶			
----------------------------	--	--	--

REAR CONV



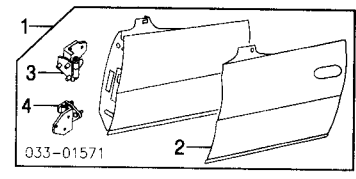
1 Belt, Outer Rear Seat¶			
97-02	R/L HJD7061BALEG	1.7	208.60
03-05	R/L HJE7061BBLEG	1.7	171.50
2 Buckle, Center Belt¶			
97-02	R/L HJA7090AALEG	#.2	86.00
03-05	R/L HJE7090ACLEG	#.2	62.35
<i>¶w/Rear Seat Removed</i>			
3 Cover, Belt¶			
	R HJA7106BBLEG		4.35
	L HJA7107BBLEG		9.20
<i>¶Charcoal listed, Order by Application</i>			

FRONT DOOR

Use Procedure Explanations 16 and 28 with the following text.

SHEET METAL

Refinish Door Outside	R/L	2.2
Add for Jamb & Interior	R/L	1.0
Add for Jamb	R/L	.5
Refinish Upper Hinge	R/L	.2
Refinish Lower Door	R/L	.2
R&I Door Assy	R/L	1.8



JAGUAR XK8/XKR 1997-05

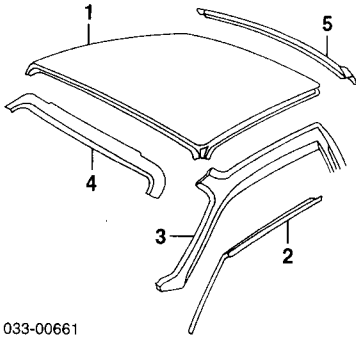
#Includes R&R Door Glass & Regulator

ROOF

Use Procedure Explanations 17 and 28 with the following text.

SHEET METAL/EXTERIOR TRIM COUPE

Refinish Roof Outside 2.8

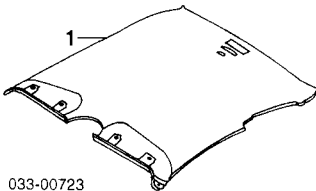


033-00661

1 Panel, Roof	FJA1102AB	22.0	970.00
2 Moulding, Drip Rail	97-03 R HJA5340BF	.4	123.85
	L HJA5341BF	.4	123.85
	04-05 R/L C2N002782-3	.4	98.65
3 Rail, Outer Side	See Rocker/Pillars/Floor Section		
	†Serviced w/Door Opening Frame Assy		
4 Panel, Front Header	FJE1104AA	1.5	105.10
5 Panel, Rear Header	FJG1105AA	1.5	95.80

INTERIOR TRIM COUPE

R&I Headliner 3.5



033-00723

1 Headliner	97-02 HJA1005ACLFJ	3.5	466.00
	03-05 C2N003333LFJ	3.5	483.00

†Gray listed, Order by Application

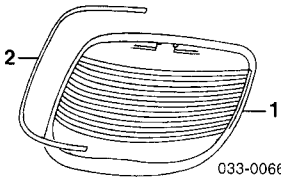
BACK WINDOW

Use Procedure Explanation 19 with the following text.

COUPE

R&I Back Glass #3.8

#Includes Clean Up Old Adhesive as Necessary

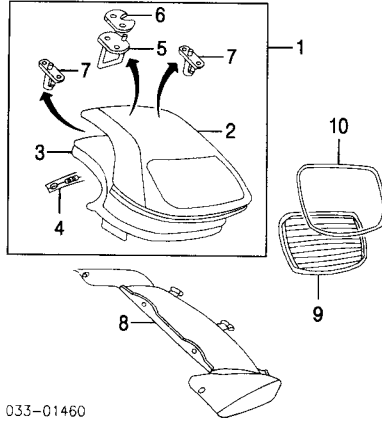


033-00662

1 Glass, Back Window			
Jaguar (Tint)			
1997-03			
w/High Mount Stop Lamp	GJG9021BA	#3.4	550.00
w/o High Mount Stop Lamp	GJA9021BF	#3.4	530.00
	97-02 GJA9021BF	#3.4	545.00
	03 GJG9021AA	#3.4	550.00
2004-05	C2N002961	#3.4	550.00
NAGS (Green)	FB20150GTN	#3.4	640.40
	#Includes Clean Up Old Adhesive as Necessary		
2 Moulding, Reveal	R GJA9018AB		103.00
	L GJA9019AB		103.00

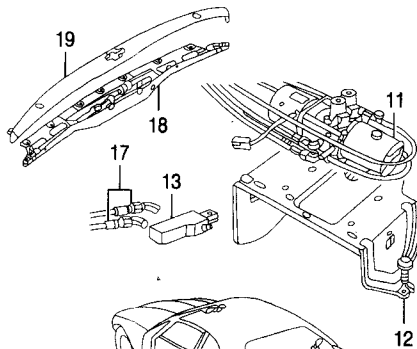
CONVERTIBLE TOP

R&I Convertible Top Assy 4.0



033-01460

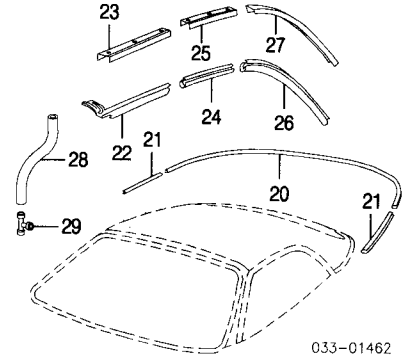
1 Cover/Frame Assy, Top (a)	JLM021291PDM	5.0	6500.00
2 Cover, Outer Top	HJC7732AAPDM	5.5	770.00
	(a) Black listed, Order by Application		
3 Headliner	HJA7808AAAGD		495.00
	(a) Oatmeal listed, Order by Application		
4 Plate, Front Closing	HJB8170AA		30.95
5 Striker, Latch	HJA8210BC		22.80
6 Spacer, Striker	HJB8213CA		8.55
7 Pin, Latching	R/L HJA8211BB		34.05
	†Included w/Top Cover/Frame Assy		
8 Cover, Top Storage (a)	HJD7712AALGG		805.00
	(a) Charcoal listed, Order by Application		
9 Window, Back			
Jaguar (Heated/Tint)	GJA9021FE	2.9	550.00
NAGS (Green)	FB20180GTN	2.9	785.60
10 Seal, Back Glass	GJA9022AC		76.50



033-01461

11 Pump, Top Lift	HJC8241AA		1490.00
12 Brkt, Pump Mtg	97-99 HJA8205BD		50.45
	00-05 HJD8205AA		52.05
	HJD8243AA		308.00
13 Cylinder, Latch			
14 Cylinder, Top Lift			
1997-98	R HJA8254CC		233.30
	L HJA8255CB		233.30
1999			
To VIN 031317	R HJA8254CC		233.30
	L HJA8255CB		233.30
From VIN 031318	R HJB8254AA		230.75
	L HJB8255AA		237.95
2000-05	R HJC8254AA		259.00
	L HJB8255AA		237.95
	R/L JZY100018		4.20
15 Pin, Spring			
16 Hose, Cylinder			
1997-98	R HJA8252AB		97.35
	L HJA8253AB		136.25
1999			
To VIN 031317	R HJA8252AB		97.35
	L HJA8253AB		136.25
From VIN 031318	R HJB8252AA		133.90
	L HJB8253AA		133.90
2000-05	R HJB8252AA		133.90
	L HJB8253AA		133.90
17 Hose, Power Latch			
1997-98	R/L HJA8256AB		74.20
1999			
To VIN 031317	R/L HJA8256AB		74.20
From VIN 031318	HJB8256AA		111.25

2000-05	HJB8256AA	111.25
18 Latch	HJE8226AB	825.00
19 Cover, Latch		
1997		
To VIN 011773	HJA7727BE	115.90
From VIN 011774	HJA7727BH	102.00
1998-03	HJA7727BH	102.00
2004-05	HJA7727BH	102.00



033-01462

20 Weatherstrip, Storage Cover	HJA7718AA		77.80
21 Seal, Storage Frame	R/L HJA8138AB		86.30
22 Seal, Frt Top	R HJG7779AA		130.55
	L HJG7779AA		130.55
23 Retainer, Frt Top Seal	R HJA7736AC		36.05
	L HJA7737AC		23.85
24 Seal, Center Top	R HJB7780AA		109.20
	L HJB7781AA		109.20
25 Retainer, Ctr Top Seal	R HJA7738AC		30.75
	L HJA7739AC		30.75
26 Seal, Rear Top	R HJB7782AA		112.05
	L HJB7783AA		112.05
27 Retainer, Rear Top Seal	R HJA7740AC		32.70
	L HJA7741AC		36.05
28 Hose, Drain	R HJC8130CA		33.30
	L HJC8130DA		33.30
29 Fitting, Drain Hose	KCH310100		2.55

QUARTER PANEL

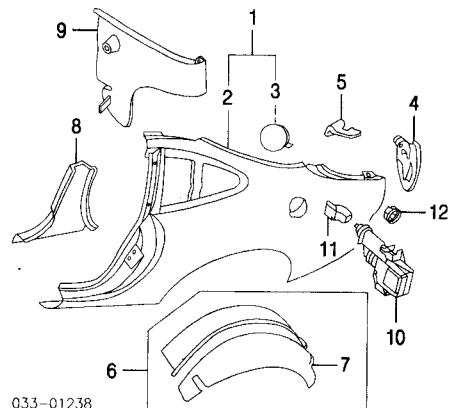
Use Procedure Explanations 20 and 28 with the following text.

SHEET METAL COUPE

Refinish Quarter Outside	R/L	2.3
Add to Edge Panel	R/L	.5
Add for Pillar	R/L	.5
Refinish Fuel Door		#.4

#Included in Refinish Left Quarter Outside

R&R Both Quarter Panels		31.6
R&R Roof & Both Quarter Panels		42.9
R&R Rear Body Panel & Both Quarter Panels		33.1
R&R Roof, Both Quarters & Rear Body Panel		44.4
Add to R&R Quarter Panel		
To R&I Quarter Glass	R/L	.2
To R&I Back Glass		.4



033-01238

1 Panel Assy, Quarter	97-03 R JLM020070	#19.0	1650.00
	L JLM020071	#18.0	1650.00
	04-05 R C2N003004	#19.0	1090.00
	L C2N003005	#18.0	1090.00
2 Panel, Outer Qtr	97-03 R FJA1320AF	#19.0	935.00
	L FJA1321AF	#18.0	935.00
	04-05 R C2N002864	#19.0	915.00
	L C2N002866	#18.0	915.00
	#Deduct 5.7 w/Roof Removed, Deduction Includes Common Surfaces & Included Operations		
3 Door, Fuel Filler	L FJA3089AG	.2	63.60
	†Included w/Quarter Panel Assy		

QUARTER PANEL Cont'd

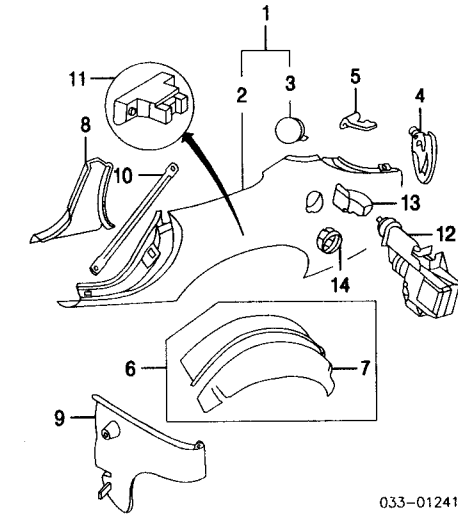
SHEET METAL

COUPE Cont'd

Table with 4 columns: Part Number, Description, Price, and Labor Time. Includes items like Panel, Lamp Mtg, Panel, Drain Channel, Wheelhouse Assy, Panel, Outer Whihse (a), Pillar, Inner Lock, Liner, Wheelhouse, Latch, Fuel Door, Striker, Latch, Nut, Latch.

SHEET METAL CONV

Table with 2 columns: Description and Price. Includes Refinish Quarter Outside, Add to Edge Panel, Add for Pillar, Refinish Fuel Door, R&R Both Quarter Panels, R&R Rear Body Panel & Both Quarter Panels.

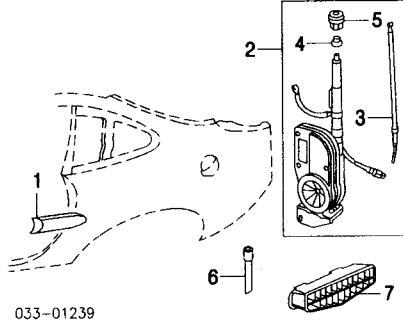


033-01241

Table with 4 columns: Part Number, Description, Price, and Labor Time. Includes Panel Assy, Quarter, Panel, Outer Qtr, Door, Fuel Filter, Panel, Lamp Mtg, Panel, Drain Channel, Wheelhouse Assy, Panel, Outer Whihse (a), Pillar, Inner Lock, Liner, Wheelhouse, Strut, Rear Reinf, Mount, Side Body, Latch, Fuel Door, Striker, Latch, Nut, Latch.

EXTERIOR TRIM COUPE

Table with 2 columns: Description and Price. Includes Refinish Side Moulding.

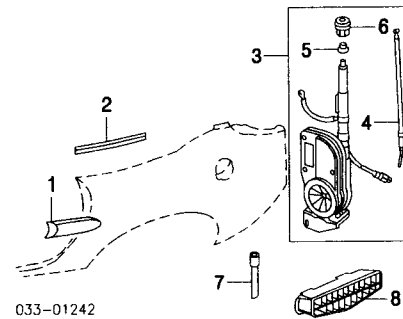


033-01239

Table with 4 columns: Part Number, Description, Price, and Labor Time. Includes Moulding, Side (Adhesive) (P), Antenna Assy, Power, Mast/Cable, Nut, Antenna, Grommet, Sealing, Tube, Antenna Drain, Vent, Pressure.

EXTERIOR TRIM CONV

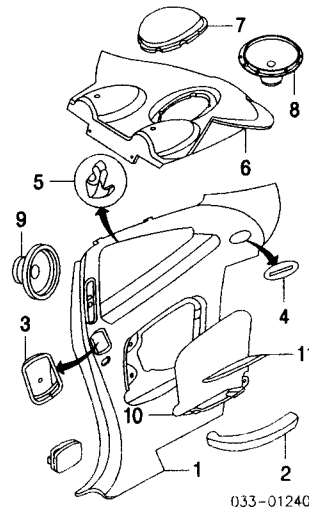
Table with 2 columns: Description and Price. Includes Refinish Side Moulding.



033-01242

Table with 4 columns: Part Number, Description, Price, and Labor Time. Includes Moulding, Side (Adhesive) (P), Moulding, Outer Belt, Antenna Assy, Power, Mast/Cable, Nut, Antenna, Grommet, Sealing, Tube, Antenna Drain, Vent, Pressure.

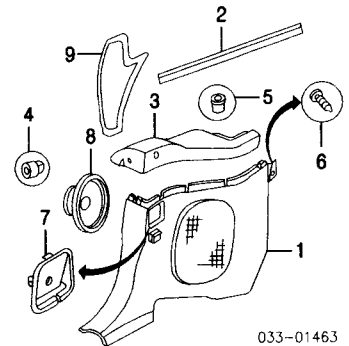
INTERIOR TRIM COUPE



033-01240

Table with 4 columns: Part Number, Description, Price, and Labor Time. Includes Panel, Qtr Trim, Armrest, Trim Panel, Escutcheon, Frt Seat Belt, Escutcheon, Rear Seat Belt, Hook, Coat, Tray, Rear Shelf, Cover, Shelf Blanking, Speaker, Rear Shelf, Speaker, Qtr Panel, Grille, Side Speaker, Insert, Pocket.

INTERIOR TRIM CONV



033-01463

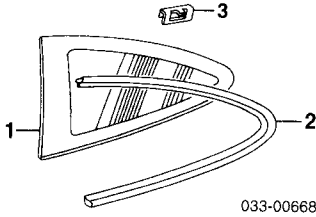
Table with 4 columns: Part Number, Description, Price, and Labor Time. Includes Panel, Lwr Qtr Trim, Moulding, Inner Belt, Panel, Upper Trim, Nut, Front Lock, Nut, Rear Lock, Clip, Panel, Escutcheon, Seat Belt, Speaker, Radio, Shield, Moisture.

To VIN A33926	R HJB8134AA	35.65
	L HJB8135AB	22.80
From VIN A33927	R HJB8134AB	22.80
	L HJB8135AB	22.80
2004-05	R HJB8134AB	22.80
	L HJB8135AB	22.80

QUARTER GLASS

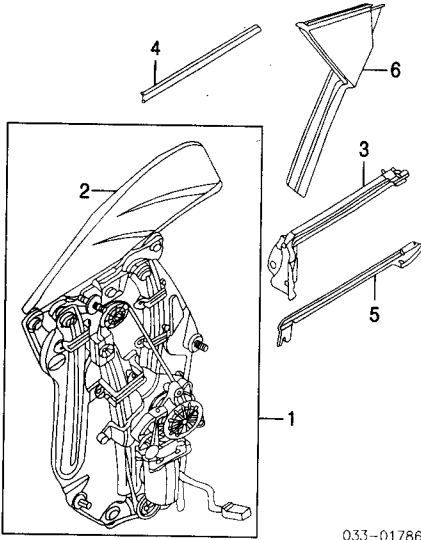
COUPE

R&I Quarter Glass..... R/L #2.2
 #Includes Clean Up Old Adhesive as Necessary



1 Glass, Quarter Jaguar (Tint)	R GJA2200BG L GJA2201BG	#2.0	178.20
NAGS	R/L FQ20148-9GTY	#2.0	0.00
#Includes Clean Up Old Adhesive as Necessary			
2 Moulding, Reveal	97-03 R GJA2230AF L GJA2231AF	.5	200.35
3 Clip, Spring (5/Side)	04-05 R/L C2N002774-5 R/L JZE100050	.5	165.85
			1.15

CONV



1 Glass/Regulator Assy Jaguar	R GJE2242AE L GJE2243AE	#3.8	650.00
NAGS	R/L FQ20178-9GTY	#3.8	1698.00
#Includes R&I/R&R Upper & Lower Trim Panels & Rear Seat, Deduct 1.0 w/Convertible Top Removed			
2 Seal, Quarter Glass	R GJA2248BD L GJA2249BD	66.70	66.70
#Included w/Glass/Regulator Assy			
3 Moulding, Inner Belt-See Quarter Panel Section	R HJA5762AB	17.25	17.25
4 Moulding, Outer Belt-See Quarter Panel Section	L HJA5763AB	17.25	17.25
5 Carrier, W/Strip	R HJA8136BA L HJA8137BA	14.70	14.70
6 Filter, Quarter			

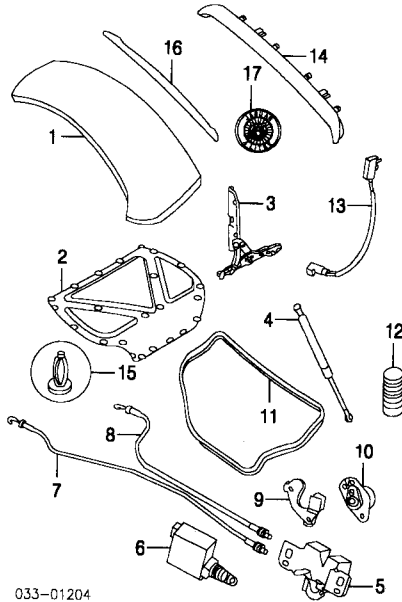
LUGGAGE LID

Use Procedure Explanations 24 and 28 with the following text.

SHEET METAL

Refinish Luggage Lid Outside	2.2
Add for Underside	1.1
Refinish License Lamp Cover	.5
Refinish Hinge	.2
Refinish Spoiler	.8
R&I Luggage Lid	
Coupe	.8
Conv	#1.0
#Includes R&I/R&R High Mount Stop Lamp	
Add to R&R Luggage Lid	
To Drill for Installation of Spoiler	4

To Transfer Spoiler..... 3

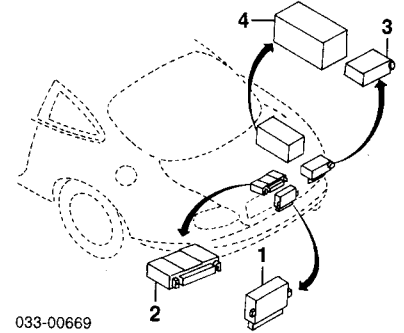


1 Lid, Luggage Coupe	97-99 FJE3019HA 00-05 FJE3019AA	2.0	d645.00
Conv	97-99 FJE3019HA 00-02 FJE3019JA 03-05 FJE3019BA	#2.2	d645.00
#Includes R&I/R&R High Mount Stop Lamp			
2 Liner, Trunk Coupe	97-02 GJA3616AG 03-05 GJA3616AK	.3	152.20
Conv	97-02 GJA3616BG 03-05 GJA3616BJ	.3	129.00
3 Hinge, Lid #w/Lid Removed	R FJA3026AE L FJA3027AE	#4	213.75
4 Strut, Support Coupe	R/L GJA3800AB	#2	81.40
Conv	R/L GJA3800AB	#2	81.40
#Included in R&I/R&R Lid Hinge			
5 Latch w/Safety Release	GJE3500BB	.3	28.40
w/o Safety Release	GJE3500AA	.3	d30.45
6 Actuator, Latch	1997 BDC007550	#3	127.75
1998			
To VIN 018854	BDC007550	#3	127.75
From VIN 018855	GNC3535AA	#3	94.50
1999-05	GNC3535AA	#3	94.50
#w/Trim Removed			
7 Cable, Latch Actuator	GJA3482BA		26.50
8 Cable, Latch Release	GJA3487AB		12.20
9 Brkt, Latch	GJA3518AC		13.50
10 Cylinder, Lid Lock (a)	HNA7211AA	#3	92.70
(a) Included w/Complete Lock Set-listed in Steering Wheel/Column Section			
#w/Trim Removed			
11 Weatherstrip, Lid Coupe	HJA5372AD	.5	72.10
Conv	HJA5372BD	.5	72.10
12 Bumper, Lid	R/L C2S024715		13.85
13 Switch, Trunk Open	LNC6242AC		31.90
14 Cover, License Lamp	1997-02 (P)	.4	97.35
2003-05			
XK8	C2N001737	.4	152.95
XKR (P)	C2N001907XXX	.4	157.60
(P) Paint to Match			
15 Retainer, Trunk Liner (16)	AGU002530		1.25
16 Spoiler (P)	00-03 HJB6160ABXXX 04 C2N003406XXX 05 C2N003406XXX	.4	435.00
		.4	461.00
		.4	461.00
(P) Paint to Match			
17 Emblem, Jaguar (Adhesive)	1998-02 HJB5985BD	.2	51.15
XK8	HJB5985AD	.2	48.25
XKR		.2	0.00
2003-05	N.A.		

ELECTRICAL COMPONENTS

Illustration Located in Next Column

1 Module, Adaptive Damping	LJA1970AC	.3	371.00
2 Module, Locking	LJA2600AH6	.3	466.00
#Order by Application			
3 Box, Trunk Fuse	97 LJA2822BF	1.0	146.00



033-00669

98-00 LJB2822DB	1.0	146.00
01-02 LJE2822BA	1.0	143.45
03-05 LJG2822BB	1.0	133.40

4 Battery-See Electrical Section

REAR SUSPENSION

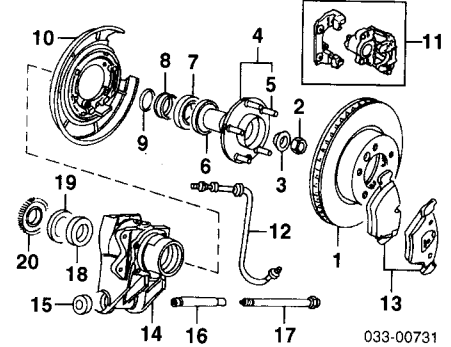
Use Procedure Explanation 23 with the following text.

R&I Suspension/Sub-Frame Assy	m	3.7
R&I Suspension (One Side)	R/Lm	2.6
R&R Brake Rotor	R/Lm	#9
#R&R Both Sides 1.6		
R&R Coil Spring	R/Lm	#1.6
#w/Hub Carrier (Knuckle) Removed Deduct .5		
O/H Suspension (Includes R&I)		
One Side	R/Lm	6.0
Both Sides		10.0
Adjust Four Wheel Alignment	m	2.2
Bleed Brake System	m	.4

NOTE 1: R&I/R&R or O/H Does Not include alignment or bleed brake system.

NOTE 2: Refer to Special Cautions Section at the beginning of this vehicle text.

NOTE 3: All Parts in this section are included in overhaul unless noted otherwise.



1 Rotor Set, Brake			
1997-99	JLM020342	m	# 198.80
2000-02			
w/Perf Pkg	JLM021748	m	# 640.00
w/o Perf Pkg	JLM020342	m	# 198.80
2003			
XK8	C2N002360	m	# 565.00
XKR	JLM021748	m	# 640.00
2004-05			
w/Brembo Brakes			
Ventilated Rotors	JLM021748	m	# 640.00
Non-Ventilated Rotors	C2N002360	m	# 565.00
w/o Brembo Brakes	JLM020342	m	# 198.80
#Set of 2			
#See Headnotes for Labor Time Installation			
2 Nut, Hub	R/L JZN100035	m	9.65
3 Collar, Hub	R/L CBC006652	m	6.15
4 Hub Assy, Wheel			
1997-99	R/L MNA3337AA	m	#2.3 231.25
2000			
To VIN A07078	R/L MNA3337AA	m	#2.3 231.25
From VIN A07079	R/L MNE3337AB	m	#2.3 232.30
2001-05	R/L MNE3337AB	m	#2.3 232.30
#Includes R&R Rotor & Outer Seal			
5 Stud, Wheel (a) (5/Side)	R/L JZB100064	m	2.25
(a) Included w/Wheel Hub Assy			
6 Seal, Outer	R/L CCC004466	m	#2.3 10.90
#Included in R&R Hub			
7 Bearing, Outer	R/L CAC006333	m	#3.0 23.65
8 Spacer, Bearing	R/L CBC008207	m	#3.0 10.90
9 Shim, Hub (b) (c)	CBC0095051	m	# 12.05
(c) As Required			
#Included in R&R Hub Carrier			
10 Shield, Splash (b)			

JAGUAR XK8/XKR 1997-05

REAR BODY Cont'd

INTERIOR TRIM Cont'd

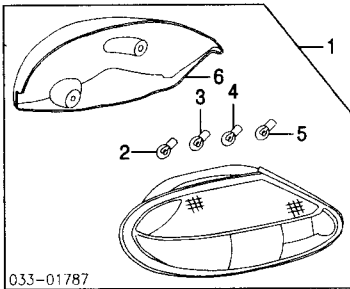
Coupe	97-01	GJA3613AL	.4	110.75
	02-05	GJE3613AC	.4	106.00
Conv		GJE3613AC	.4	106.00
9 Cover, Battery (b)	97-98	GJA3620AG	.3	109.70
	99-05	GJC3620AB	.3	115.75
10 Carpet, Trunk Floor (b) w/Space Saver Wheel	97-98	GJA3618AH	.2	179.25
	99-05	GJC3618AD	.2	119.75
w/o Space Saver Wheel	97-98	GJA3618BG	.2	165.85
	99-05	GJC3618BA	.2	99.95
11 Panel, Front Carpet (b) Coupe	97-98	GJA3610AL	.3	93.25
	99-02	GJC3610AC	.3	227.15
	03-05	C2N002736	.3	112.30
Conv	97-98	GJC3610BB	.3	90.40
	99-02	GJC3610BB	.3	90.40
	03-05	C2N003401	.3	90.25
12 Support, Trunk Floor (b) (4)	97-02	GJA3622AC		2.60
	03-05	GJA3622AD		2.60

(b) Order by Application

REAR LAMPS

COMBINATION LAMP

R/L Combination Lamp Assy R/L .5



033-01787

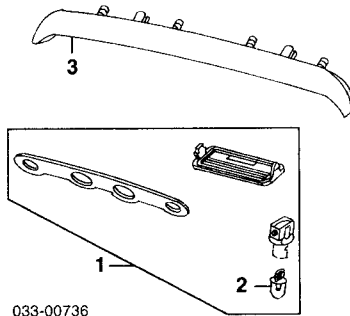
1 Lamp Assy, Combination	97-00 R	LJA4900BD	.5	143.70
	L	LJA4901BD	.5	143.70
	01-05 R	LJE4900AB	.5	130.05
	L	LJE4901AB	.5	130.05
2 Bulb, Tail/Stop¶	R/L	LNA5180BA	#.3	5.95
3 Bulb, Signal¶	R/L	C2S015076	#.3	10.00
4 Bulb, Back-Up¶	R/L	DBC011382	#.3	d2.25
5 Bulb, Fog¶	R/L	DBC011382	#.3	d2.25

#R&R One Side Complete

6 Cover, Lamp¶	R	GJE3668AB	23.75	
	L	GJE3669AB	23.75	

¶Included w/Combination Lamp Assy

LICENSE LAMP



033-00736

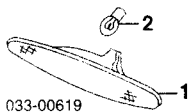
1 Lamp Assy, License		JLM020287	.4	33.35
2 Bulb, License Lamp¶		C2S015074	.3	.70

¶Included w/License Lamp Assy

3 Cover, License Lamp-See Luggage Lid Section

SIDE MARKER LAMP

R/L Side Marker Lamp R/L #.3
#Included in R&R or O/H Rear Bumper

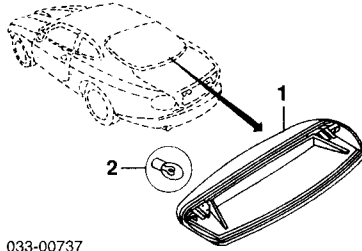


033-00619

1 Lamp, Side Marker	R/L	LJA5034BC	#.3	17.30
2 Bulb, Side Marker	R/L	C2S015074	#.3	.70

#R&R One Side Complete, included in R&R or O/H Rear Bumper

HIGH MOUNT STOP LAMP COUPE



033-00737

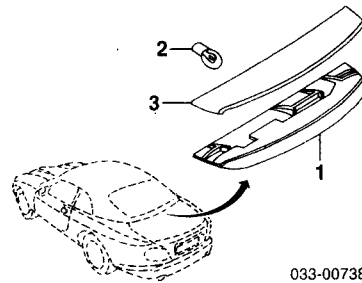
1 Lamp, Stop¶ (a)		LJB5000ACLEG	.4	180.80
To VIN A35139		LJB5000ACLEG	.4	180.80
From VIN A35140		LJB5000ACLEG	.4	180.80

¶Charcoal listed, Order by Application
(a) Mounted on Package Tray

2 Bulb, Stop Lamp (2)		C2S015074		.70
-----------------------	--	-----------	--	-----

HIGH MOUNT STOP LAMP CONV

Refinish Lamp Cover5



033-00738

1 Lamp, Stop¶		LJA5001AC	#.4	140.85
1997		LJB5001AD	#.4	166.35
To VIN 014328		LJB5001AD	#.4	166.35
From VIN 014329		LJB5001AE	#.4	158.10
1998-03		LJB5001AD	#.4	166.35
2004-05		LJB5001AE	#.4	158.10

¶Mounted on Luggage Lid

2 Bulb, Stop Lamp (2)		C2S015074	#.4	.70
3 Cover, Lamp (P)		LJA5003ABXXX	#.4	77.25

(P) Paint to Match
#R&R Complete

REAR BUMPER

Use Procedure Explanations 27 and 28 with the following text.

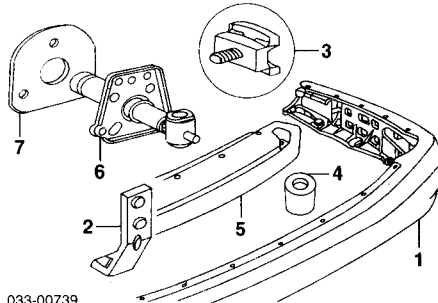
Refinish Rear Cover	2.0
R&I Rear Bumper Assy	1.0
O/H Rear Bumper Assy (Includes R&I)	#2.2

#Includes R&I/R&R Side Marker Lamps

Add to R&R or O/H Rear Cover
w/Reverse Parking Sensor

	.3
--	----

NOTE: All Parts in this section are included in overhaul unless noted otherwise.



033-00739

1 Cover, Rear (P)		HJA6586BBXXX	#2.0	1020.00
1997-00		HJA6586BBXXX	#2.0	1010.00
2001-03		HJA6586ACXXX	#2.0	960.00
w/Reverse Parking Sensor		HJE6586BBXXX	#2.0	1010.00
w/o Reverse Parking Sensor		HJE6586ACXXX	#2.0	960.00
2004-05		C2N003335XXX	#2.0	1090.00
w/Reverse Parking Sensor		C2N003334XXX	#2.0	1090.00
w/o Reverse Parking Sensor		C2N003334XXX	#2.0	1090.00

(P) Paint to Match
#Includes R&I/R&R Side Marker Lamps

2 Strap, Cover Support	R/L	HJA6569AA		27.65
------------------------	-----	-----------	--	-------

3 Guide, Bumper	R/L	HJA6554AB	#.1	6.55
#w/Bumper Assy Removed, Not Included in O/H				
4 Spacer, Reinf Bar (4)		HJA6544AA		3.60
5 Bar, Reinf		HJA6580BA	10H	445.00
6 Absorber, Impact	R/L	HJE6560AA	#.3	357.00
#w/Bumper Assy Removed, Not Included in O/H				
7 Gskt, Bumper Mtg	R/L	HJA6566AB		3.60
Sensor Kit, Parking Aid¶		LJE7354AA		374.00

¶Order by Application