



V8 XJ Series/XK8

DATE 10/99
Amended 02/02

310-06

SERVICE

TECHNICAL BULLETIN

All Driveability Issues/Engine Non-start –
Carbon Deposits on Throttle Blade –
Cleaning Procedure – AJ26 Engines

MODEL

1997-98 MY XK8 Range
1998 MY V8 XJ Series NA
1998-99 MY XJR

VIN

001001-031302
812256-853935
812256-878717

Remove and destroy Bulletin 310-06, amended 06/00.
Replace with this Bulletin.
The throttle body is now removed for cleaning

Issue:

Some XK8 and V8 XJ Series vehicles, within the above VIN ranges, may experience a condition where the throttle body bore and throttle blade become coated with a soft sticky carbon deposit. This deposit may cause idle/driveability issues, particularly when the part load breather has become blocked. (See Technical Bulletin 600-03 Service Action S474, which is to be performed at regular maintenance intervals of 10,000 miles/16,000 Km.)

Action:

In case of a customer complaint of non-start or idle/driveability issues on the above vehicles, **clean the throttle blade** as follows:

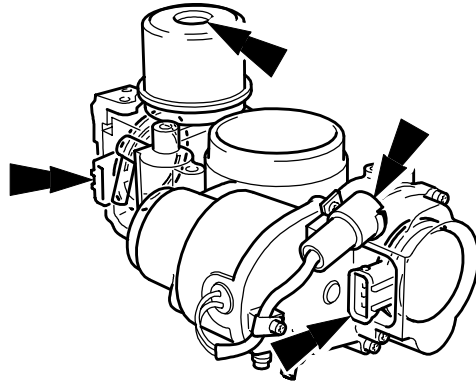
THROTTLE CLEANING PROCEDURE

1. Ensure ignition is OFF and remains OFF throughout the procedure.
2. Open hood and place protective covers on the fenders.
3. Clean part-load breather. (Refer to Technical Bulletin 600-03, Service Action S474).

Note: It is important to clean the part-load breather to ensure that the throttle body and bore do not become coated in the sticky carbon deposit again.

4. Disconnect vehicle battery.
5. Remove air intake tube/MAFS/cleaner cover assembly.

THROTTLE BODY ELECTRICAL/VACUUM CONNECTIONS

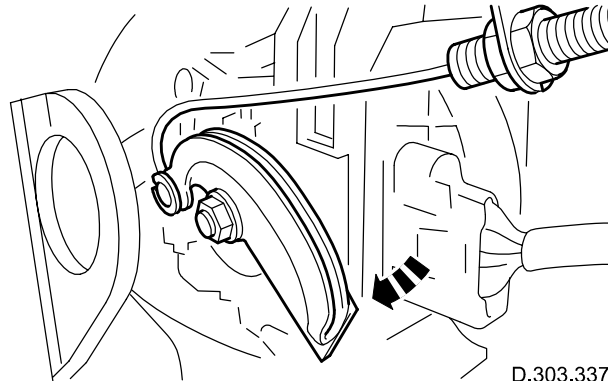


D.303.336

ILLUSTRATION 1

6. Disconnect throttle body electrical connectors and vacuum pipe. (Illustration 1)
7. Turn throttle pulley to fully open position.

DISCONNECT THROTTLE INNER CABLE



D.303.337

ILLUSTRATION 2

8. Disconnect throttle inner cable from throttle pulley. (Illustration 2)

REMOVING THROTTLE CABLE

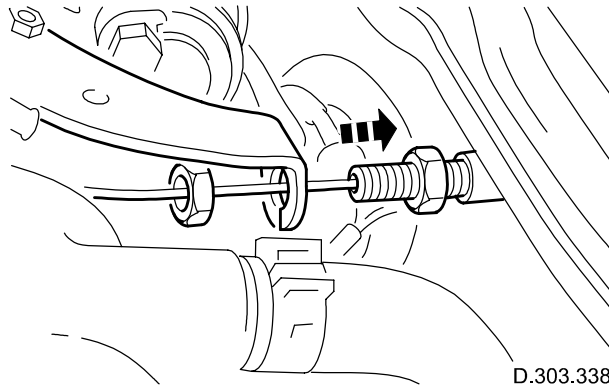


ILLUSTRATION 3

9. Undo and displace throttle cable adjusting nut.
10. Remove outer throttle cable from adjustment bracket. (Illustration 3)

REMOVING COOLANT HOSES

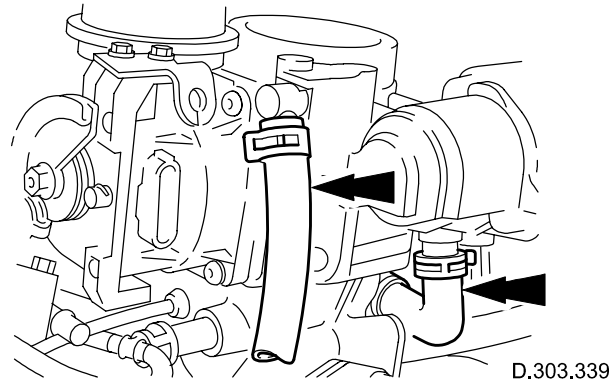


ILLUSTRATION 4

11. Remove coolant hoses. (Illustration 4)
12. Insert suitable plugs into coolant hoses.

REMOVING ELECTRICAL CONNECTOR FROM BRACKET

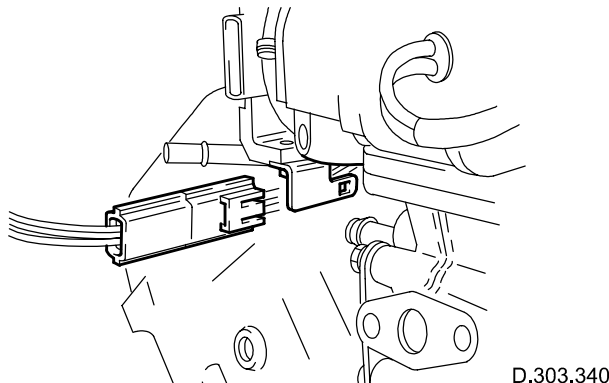


ILLUSTRATION 5

13. Reposition electrical connector from securing bracket under left side of throttle body. (Illustration 5)

14. Remove throttle body securing bolts. (Illustration 6)

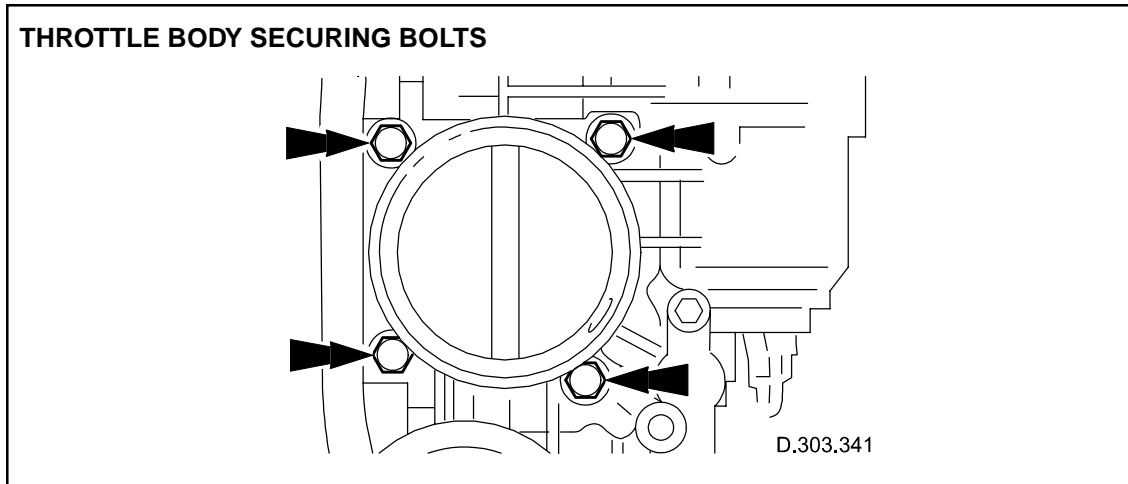


ILLUSTRATION 6

15. Remove throttle body from induction elbow and discard gasket. (Illustration 7)

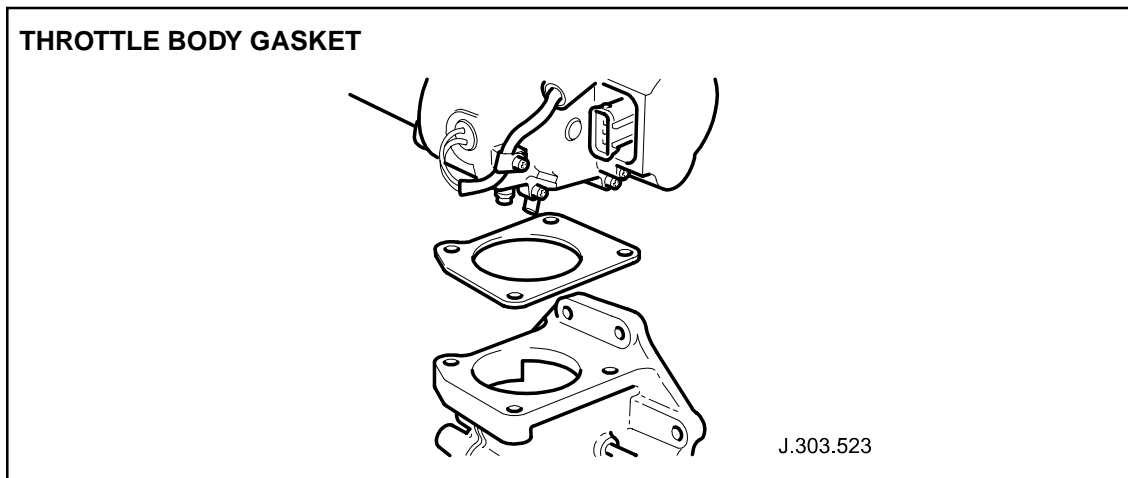


ILLUSTRATION 7

⚠ Warning: Wear suitable gloves, clothing, face and respiratory protection during the following operations.

16. Open throttle butterfly.

Note: The throttle blade should be held open during the cleaning process by actuating the throttle. Workshop tools should not be placed inside the throttle bore in order to keep the throttle blade open.

17. Using suitable cleaning agent, (see table on last page) liberally spray both sides of throttle bore and butterfly.
18. Carefully close throttle butterfly.
19. Allow cleaning agent to soak for 10 minutes.
20. Open throttle butterfly.

21. Using suitable cleaning agent, (see table below) liberally spray both sides of throttle bore and butterfly.
22. Using a soft clean cloth, clean residue from throttle body bore and butterfly.

⚠ Caution: There is a grey colored Molybdenum Coating on the throttle bore adjacent to the butterfly. Take care not to remove this coating during the cleaning process.

23. Carefully close throttle butterfly.
24. Manually work the throttle blade to ensure that it operates smoothly by gently pressing the throttle blade down to the closed position. Release the throttle butterfly. It should open at the same rate as it is released. If the throttle butterfly remains closed for a fraction of a second or longer after removing finger pressure, repeat the cleaning process.
25. Conduct another manual pressure test again after repeating the cleaning process, and if no sticking is evident continue to the next step.

Note: If the butterfly is still sticking partially or fully closed, please contact the Technical Hotline for further information.

26. Install new gasket to throttle induction elbow, install throttle body and tighten securing bolts. (Illustration 8)

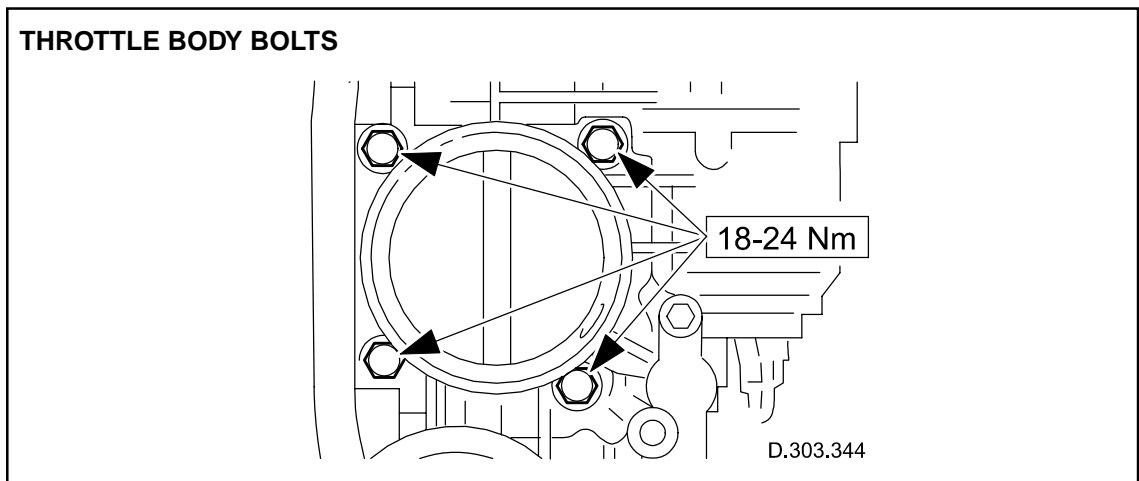


ILLUSTRATION 8

27. Reposition and install electrical connector to retaining bracket left side under throttle body.
(Illustration 9)

ELECTRICAL CONNECTOR

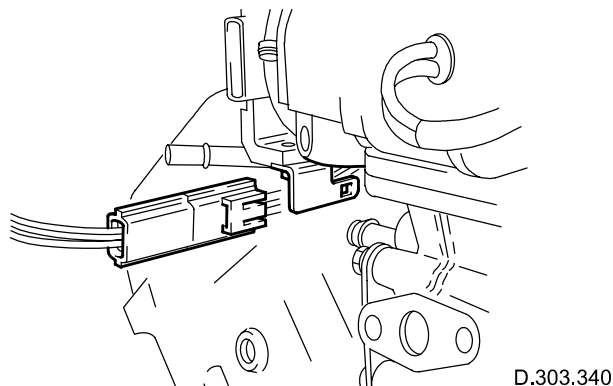


ILLUSTRATION 9

28. Remove and discard blanking plugs from coolant hoses.
29. Install coolant hoses. (Illustration 10)

COOLANT HOSES

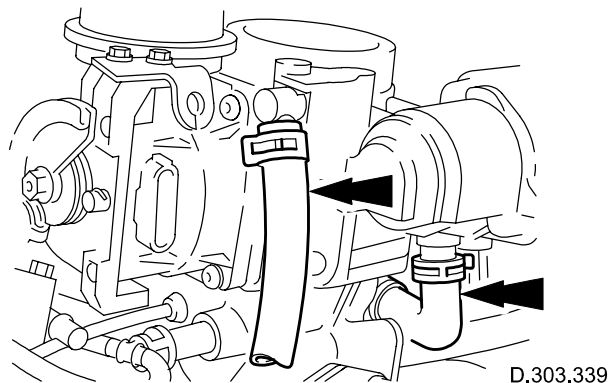


ILLUSTRATION 10

30. Install throttle body electrical connectors and vacuum pipe. (Illustration 11)

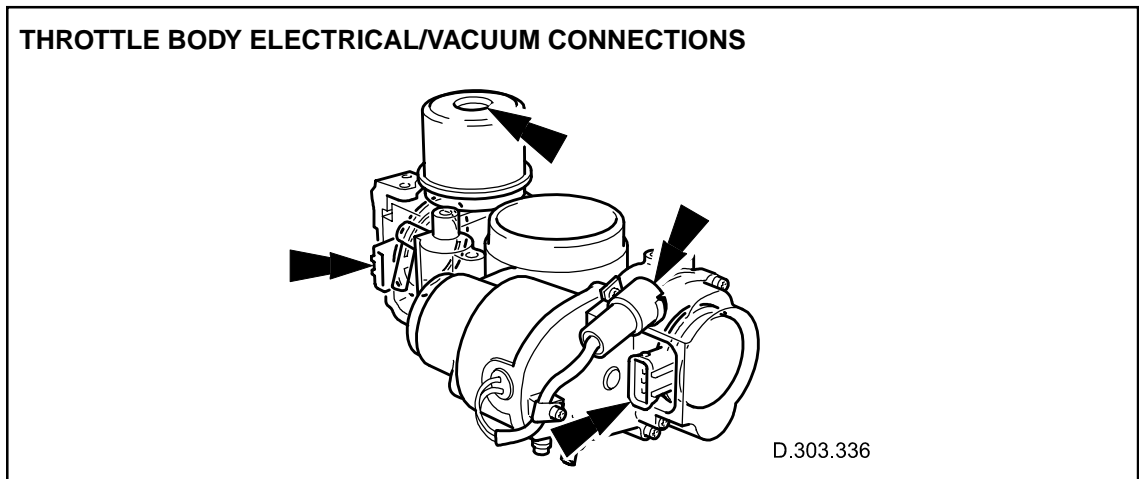


ILLUSTRATION 11

31. Reposition and install throttle outer cable to adjustment bracket. (Illustration 12)

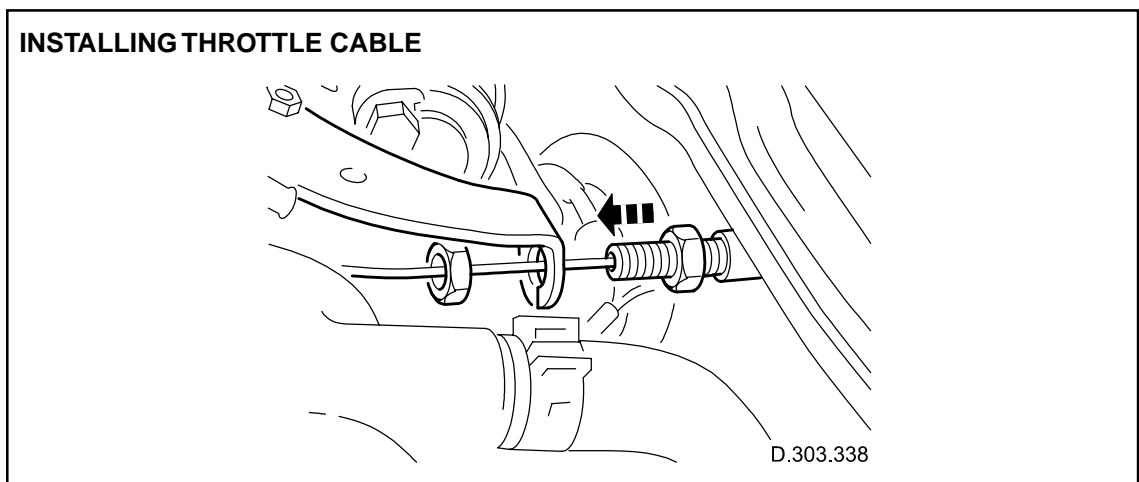


ILLUSTRATION 12

32. Install but do not fully tighten outer cable adjustment nut.
33. Turn throttle pulley fully open.

34. Reconnect throttle inner cable to throttle pulley. (Illustration 13)

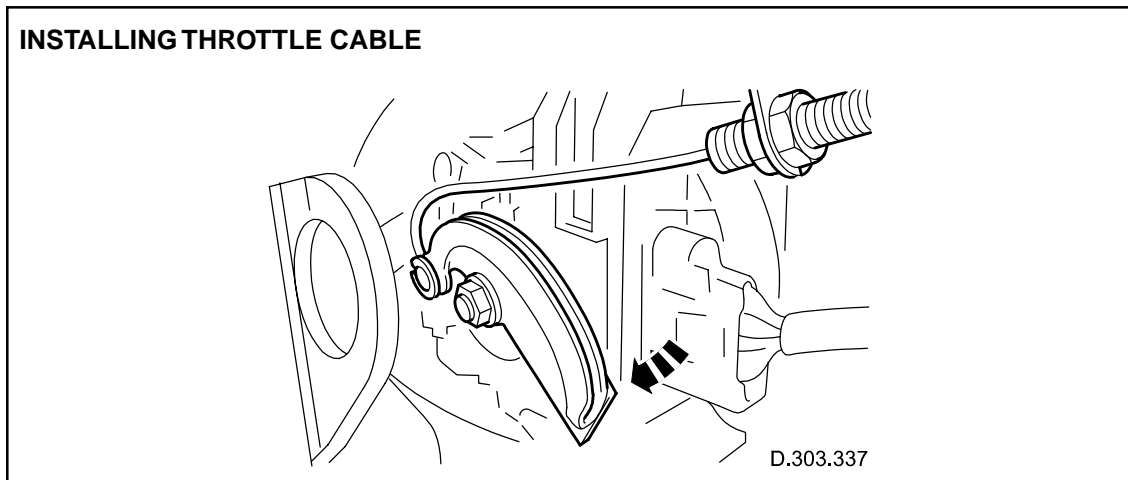


ILLUSTRATION 13

35. Adjust throttle cable. (Illustration 14)

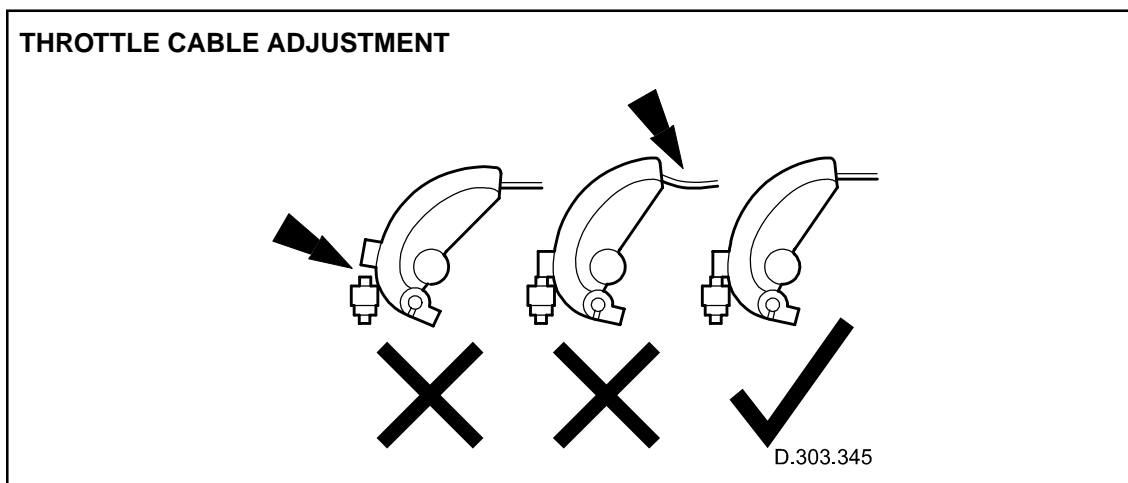


ILLUSTRATION 14

36. Tighten throttle cable adjusting nut.
37. Install air intake tube/meter/ cleaner cover assembly.
38. Check coolant level and top up if required.
39. Reconnect vehicle battery. (See Workshop Manual, JTIS CD ROM 1997-99 XK or XJ, section: 414-01, SRO 86.15.15)
40. Remove fender protector covers and close hood.

SUITABLE CLEANING AGENTS:

MANUFACTURER	BRAND
Valvoline	Synpower
Pennzoil	Gumout
BG	Air Intake Cleaner
Mark V	Carb Chem
Ford	Carburetor tune-UPCleaner
Forte	Carburetor Cleaner

Note: If the above cleaning agents are not available make sure that a silicon-free cleaning agent is used. The presence of silicon may affect oxygen sensor performance.

Parts Information:

<u>DESCRIPTION</u>	<u>PART NUMBER</u>	<u>QTY.</u>
Throttle body gasket	NCA 3021BA	1

Warranty Information:

<u>FAULT CODE</u>	<u>R.O. NUMBER</u>	<u>DESCRIPTION</u>	<u>TIME ALLOWANCE</u>
CD KF 69	19.91.52/01	Clean throttle body - XK8 & V8 XJ Series	0.6 hrs.

Note: Failure to follow the procedures outlined in this bulletin prior to replacing a throttle body may result in debiting of a warranty claim.