



XJ range

DATE 11/05

XJ100-10

**SERVICE**

**TECHNICAL BULLETIN**

New Special Tool –  
Steering Rack Pinion Seal Replacer

MODEL 2004 MY-ON  
XJ range  
VIN G00001-ON

**Issue:**

A new mandatory special service tool has been released, and will be distributed directly from the supplier. This mandatory tool is being issued free of charge.

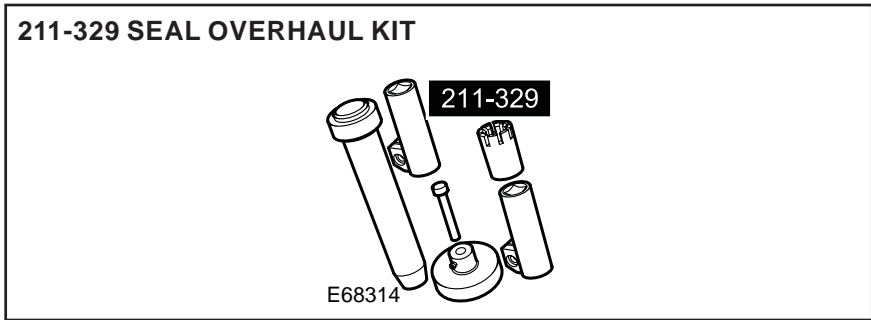
**Tool No.**

211-329 (Mandatory)

**Description**

Seal Overhaul Kit - ZF steering rack pinion

Tool 211-329 will be required for replacing the PAS rack pinion lip seals on S-TYPE/XJ/X-TYPE vehicles. A procedure will be detailed in a Technical Bulletin.



Ensure that this service item has been supplied free of damage within your shipment. To report any damage or discrepancy pertaining to your shipment, please contact the SPX customer support line at 1-800-533-5338. Any claim against this shipment must be made within 30 days of receipt at your facility.

**NOTE: THE INFORMATION IN TECHNICAL BULLETINS IS INTENDED FOR USE BY TRAINED, PROFESSIONAL TECHNICIANS WITH THE KNOWLEDGE, TOOLS, AND EQUIPMENT TO DO THE JOB PROPERLY AND SAFELY. IT INFORMS THESE TECHNICIANS OF CONDITIONS THAT MAY OCCUR ON SOME VEHICLES, OR PROVIDES INFORMATION THAT COULD ASSIST IN PROPER VEHICLE SERVICE. THE PROCEDURES SHOULD NOT BE PERFORMED BY "DO-IT-YOURSELFERS." DO NOT ASSUME THAT A CONDITION DESCRIBED AFFECTS YOUR CAR. CONTACT A JAGUAR DEALER TO DETERMINE WHETHER THE BULLETIN APPLIES TO YOUR VEHICLE.**