

**SERVICE**

**TECHNICAL BULLETIN**

**Creak Under Light Braking –  
Front Brake Caliper Pad Interface –  
Grease Anchor Bracket**

MODEL 2006 MY-ON  
XJ range  
VIN G49701-ON

**Issue:**

This bulletin addresses customer concerns of a creak noise emanating from the front brakes with light brake application, at slow speed, and maneuvering the steering. The noise can also be heard when coming to a stop in the straight-ahead position with light or medium braking.

**Cause:** Front brake caliper to brake pad anchor bracket interface.

**Action:**

In case of a verified customer concern, clean and grease the brake pad anchor bracket interface. Follow the procedure outlined below.

1. Remove front brake pads (see Global Technical Reference GTR Workshop Manual, section: 206-03).
2. Clean and apply grease to the locations shown in Illustration 1, on the anchor bracket for the front brake caliper.

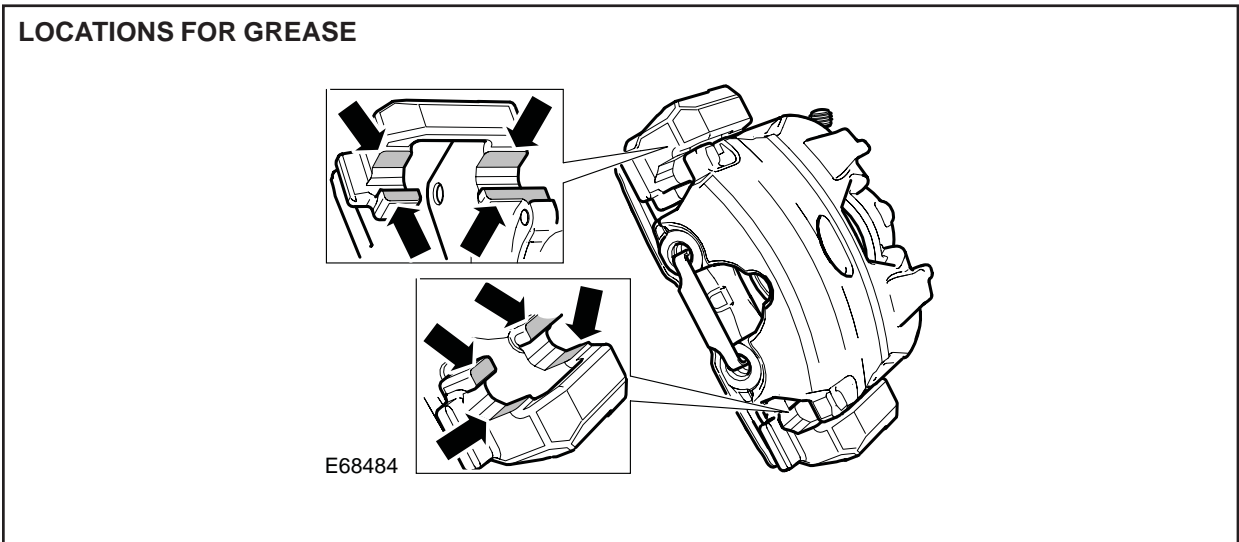


ILLUSTRATION 1

**NOTE: THE INFORMATION IN TECHNICAL BULLETINS IS INTENDED FOR USE BY TRAINED, PROFESSIONAL TECHNICIANS WITH THE KNOWLEDGE, TOOLS, AND EQUIPMENT TO DO THE JOB PROPERLY AND SAFELY. IT INFORMS THESE TECHNICIANS OF CONDITIONS THAT MAY OCCUR ON SOME VEHICLES, OR PROVIDES INFORMATION THAT COULD ASSIST IN PROPER VEHICLE SERVICE. THE PROCEDURES SHOULD NOT BE PERFORMED BY "DO-IT-YOURSELFERS." DO NOT ASSUME THAT A CONDITION DESCRIBED AFFECTS YOUR CAR. CONTACT A JAGUAR DEALER TO DETERMINE WHETHER THE BULLETIN APPLIES TO YOUR VEHICLE.**

3. Carry out step 2 on the opposite side front brake caliper.
4. Install front brake pads (see Global Technical Reference GTR Workshop Manual, section: 206-03).

**Global Technical Reference (GTR) Workshop Manual Information:**

Dealer access: <https://hub.franchise.jaguar.com>

Internet access: <http://www.jaguartechno.com>

**Parts Information:**

<u>DESCRIPTION</u>	<u>PART NUMBER</u>	<u>QTY</u>
Grease sachet	C2C 33568	1

**Warranty Information:**

Warranty claims should be submitted quoting the information found in the table below. This will result in payment of the stated time and, where applicable parts/miscellaneous expense codes as listed.

Description	SRO	Time	Causal Part Number
Brake noise - Service fix	70.40.02	0.6 hrs.	C2C 33568

**Note:** Repair procedures are under constant review, and therefore repair times are subject to change. The times quoted here must be taken as guidance only. Always refer to DDW to obtain the latest repair time.