

Loss Of Audio/Incorrect Speaker Operation –
Water Damage To Amplifier/Audio
Components – Apply Sealer

MODEL 2004 MY-ON
XJ range

VIN G00001-ON

Issue:

Customer complaints of loss of audio function or incorrect speaker operation caused by water damage to amplifier/audio components due to water ingress into the left hand side of the luggage compartment.

Action:

If a failure has been identified as mentioned in the summary above, follow the workshop procedure outlined below prior to the installation of new amplifier/audio system components.

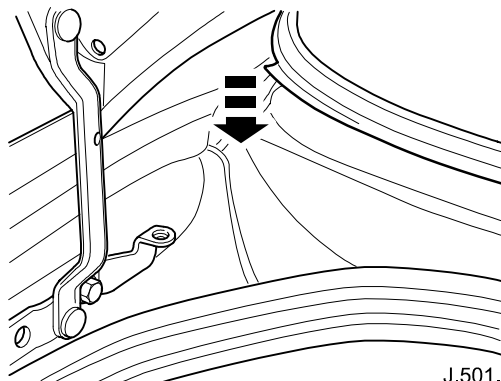
Note: Replacement of amplifier/audio system components must be carried out as a separate Warranty Claim.

WORKSHOP PROCEDURE

1. Open luggage compartment lid.
2. Remove luggage compartment floor carpet.
3. Remove luggage compartment left hand side liner.
4. Using suitable waterproof cover, protect the amplifier/audio components during the water test.
5. With luggage compartment lid open, carefully pour water into the left hand luggage compartment channel. (See Illustration 1)

Note: Ensure bottom left corner of the heated backlight is tested with water.

PERFORM LEAK TEST



J.501.2450

ILLUSTRATION 1

6. Check for water leaks onto the waterproof cover over the amplifier/audio system components.

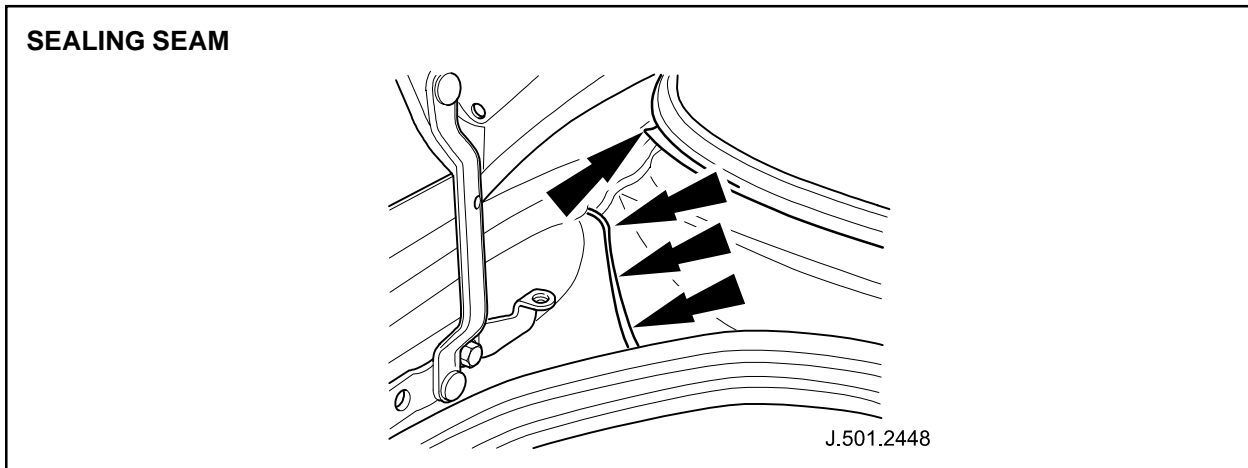


ILLUSTRATION 2

7. If water drips onto the water proof cover, use 3M Super Silicone Clear Sealant – 08661 and seal the seam. (See Illustration 2)

Note: Pump sealant into gap at the left hand side bottom corner of the heated backlight to fill the gap.

8. Remove excess sealant from the paint.

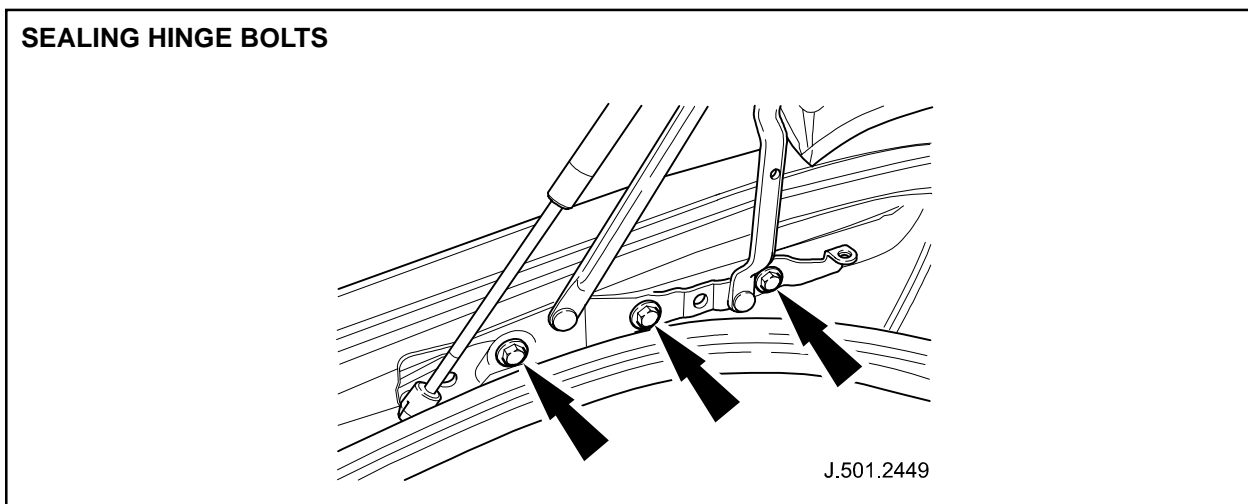


ILLUSTRATION 3

9. Remove one of the bolts securing the left-hand side luggage compartment lid hinge to the body. (See Illustration 3)

Note: Remove the bolts securing the luggage compartment lid hinge to the body one at a time to avoid disturbing hinge alignment.

10. Apply sealant into luggage compartment lid hinge to body securing bolt hole.

11. Install and fully tighten left hand side luggage compartment lid hinge to body securing bolt to 18 Nm.
12. Carry out steps 9 to 11 for the two remaining left hand side luggage compartment lid hinge to body securing bolts.
13. Remove and discard waterproof cover from amplifier/audio system components.
14. Install luggage compartment left hand side liner.
15. Install luggage compartment floor carpet.
16. Close luggage compartment lid.

Parts Information:

3M Super Silicone Sealant - Clear 08661 is considered a workshop consumable and as such may not be claimed.

Warranty Information:

Warranty claims should be submitted quoting the information found in the table below. This will result in payment of the stated time and, where applicable parts/miscellaneous expense codes as listed.

Description	SRO	Time	Causal Part Number
Carry out luggage compartment water test and seal	76.94.22	0.3 hrs.	C2C 7477