

Glove Compartment Lid Difficult To Close  
Not Latching/Not Staying Closed –  
Adjustment Procedure

MODEL 2004 MY-ON  
XJ range

VIN G00001-ON

**Issue:**

Some 2004 MY-ON XJ range vehicles may exhibit the following glove compartment lid latching issues:

- glove compartment lid difficult to close,
- glove compartment lid not staying closed or
- glove compartment lid not latching.

The striker position or latch position should be adjusted **before replacing any parts.**

**Action:**

Should a customer express concern, follow the adjustment procedures outlined below.

ADJUST GLOVE COMPARTMENT LID STRIKER POSITION

1. Open passenger door.
2. Open glove compartment lid.
3. Loosen glove compartment lid strikers' securing screws.

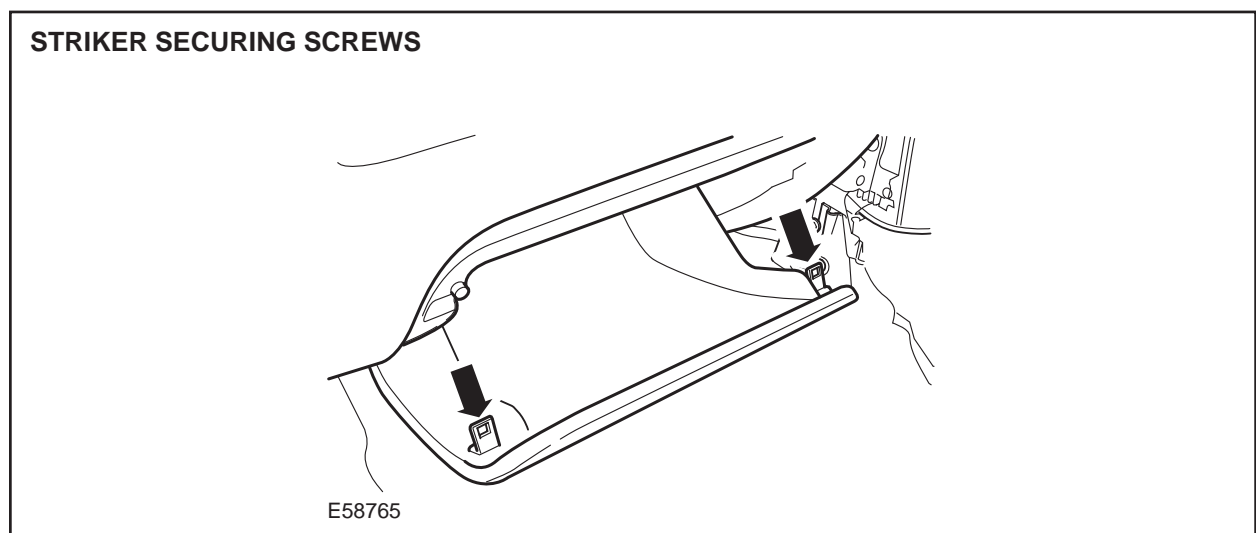


ILLUSTRATION 1

**NOTE: THE INFORMATION IN TECHNICAL BULLETINS IS INTENDED FOR USE BY TRAINED, PROFESSIONAL TECHNICIANS WITH THE KNOWLEDGE, TOOLS, AND EQUIPMENT TO DO THE JOB PROPERLY AND SAFELY. IT INFORMS THESE TECHNICIANS OF CONDITIONS THAT MAY OCCUR ON SOME VEHICLES, OR PROVIDES INFORMATION THAT COULD ASSIST IN PROPER VEHICLE SERVICE. THE PROCEDURES SHOULD NOT BE PERFORMED BY "DO-IT-YOURSELFERS." DO NOT ASSUME THAT A CONDITION DESCRIBED AFFECTS YOUR CAR. CONTACT A JAGUAR DEALER TO DETERMINE WHETHER THE BULLETIN APPLIES TO YOUR VEHICLE.**

4. Adjust strikers.
5. Tighten glove compartment lid strikers' securing screws.
6. Close glove compartment lid.

**Note:** If required, repeat steps 2 to 6 for further adjustment.

7. Close passenger door.

#### ADJUST GLOVE COMPARTMENT LID LATCH/MOTOR POSITION

1. Open passenger door.
2. Remove passenger side register (see Global Technical Reference GTR Workshop Manual, section: 412-01, SRO 82.20.40).
3. Open glove compartment lid.
4. Loosen the glove compartment lid latch/motor securing screws.

**Note:** Some glove compartment lid latch/motors have six securing screws, some have four securing screws.

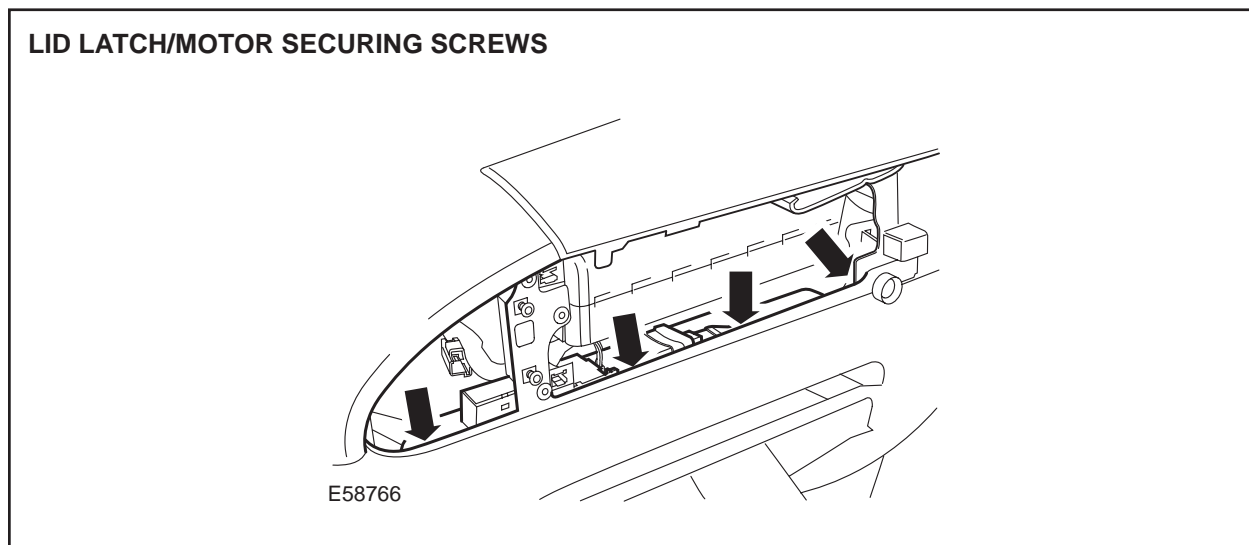


ILLUSTRATION 2

5. Adjust the glove compartment lid latch/motor assembly forward/rearward.
6. Tighten the glove compartment lid latch/motor securing screws.
7. Close glove compartment lid.

**Note:** If required, repeat out steps 3 to 7 for further adjustment.

8. Install passenger side register (see Global Technical Reference GTR Workshop Manual, section: 412-01).
9. Close passenger door.

**Global Technical Reference (GTR) Workshop Manual Information:**

Dealer access: <https://hub.franchise.jaguar.com>

Internet access: <http://www.jaguartechno.com>

**Parts Information:**

<u>DESCRIPTION</u>	<u>PART NUMBER</u>	<u>QTY</u>
NA	-	-

**Warranty Information:**

Warranty claims should be submitted quoting the information found in the table below. This will result in payment of the stated time and, where applicable parts/miscellaneous expense codes as listed.

Description	SRO	Time	Causal Part Number
Adjust glove compartment lid striker position	76.94.79	0.2 hrs.	C2C 20897
Adjust glove compartment lid striker position and latch/motor position	76.94.79/01	0.4 hrs.	C2C 20897