



**S-TYPE**

DATE 01/00  
Amended 06/00

**S100-05**

**SERVICE**

**TECHNICAL BULLETIN**

**S-TYPE Enhancement Program –  
Service Action S120**

MODEL 2000 MY  
S-TYPE  
VIN See text

Remove and destroy Bulletin S100-05, dated 1/00.  
Replace with this Bulletin.  
The PCM reflash procedure is now covered under  
Service Action S129 and is no longer included  
in Service Action S120. Refer to Technical Bulletin  
S303-01 for S129.

**Issue:**

Jaguar has introduced an enhancement program which includes updates to be performed on a small number of components on which there have been running changes in production since early vehicles were manufactured.

The items requiring attention depend on the VIN of the vehicle. Since later vehicles require the fewest updates the updates are presented in the order of the latest to the earliest vehicles. Perform only the items listed as corresponding to the VIN range.

The Enhancement Program consists of the following updates:

ITEM	DESCRIPTION	VIN RANGE	VARIANTS
1	Reprogram PCM - Refer to Technical Bulletin S303-01 for Service Action S129	See S303-01	ALL
2	Reroute Main Body Harness	L00600 - L24665	ALL
3	Replace Locking Wheel Nuts	L00600 - L16900	<b>MEXICO ONLY</b>
4	Check operation of Turn Signal Switch <b>AND</b> Replace Indicator Switch, if necessary	L00600 - L16600	ALL
5	Seal Cooling Fan Module Harness <b>OR</b> Replace Cooling Fan Harness and Module	L00600 - L16267	ALL
6	Replace Megafuse	L00600 - L12078	ALL



**Action:**

Check the vehicle for an S120 Authorized Modification Label (Illustration 1) located **on the left B-post below the striker**. Perform this update on all vehicles, within the applicable VIN ranges, prior to delivery in the case of all unsold vehicles, and at the first service opportunity/next dealer visit in the case of all vehicles already in service.

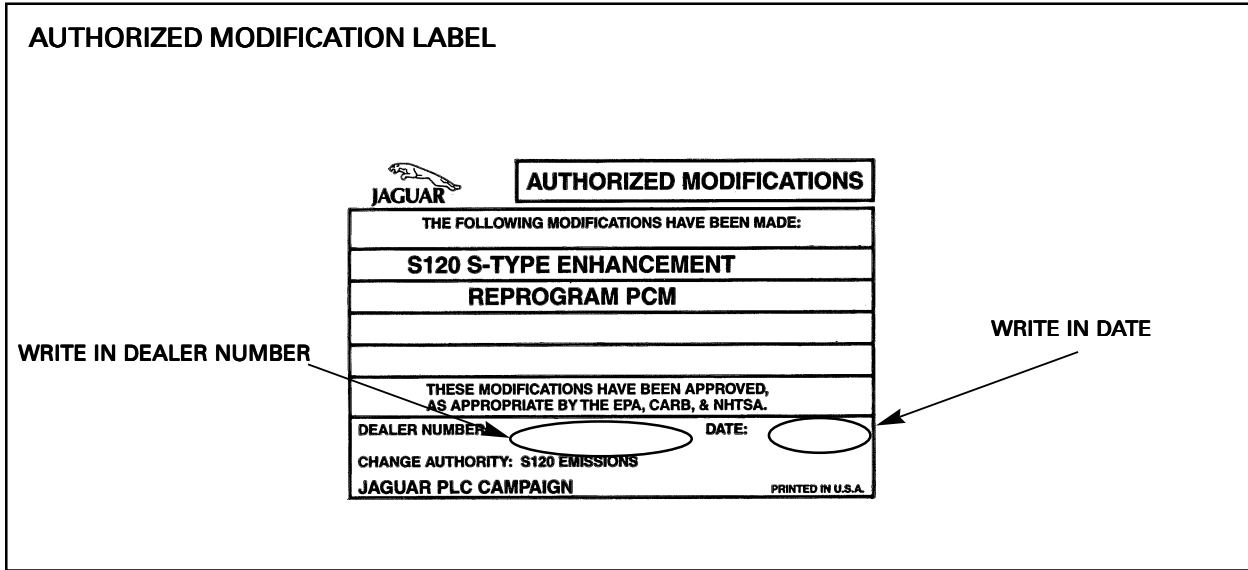


ILLUSTRATION 1

Refer to the following chart to determine which updates are applicable to a specific VIN.

VIN Range	2 Reroute Main Body Harness	3 Wheel Nuts - <i>Mexico only</i>	4 Turn Signal Switch	5 Cooling Fan Module	6 Replace Megafuse
L16901-L24665	•				
L16601-L16900	•	•			
L16268-L16600	•	•	•		
L12079-L16267	•	•	•	•	
L00600-L12078	•	•	•	•	•

## ITEM 2 REROUTE MAIN BODY HARNESS

### **VIN RANGE L00600 - L24665**

1. Open both rear doors. Release and open the luggage compartment. Pull the release handles in the luggage compartment and fold forward both rear seat squabs.

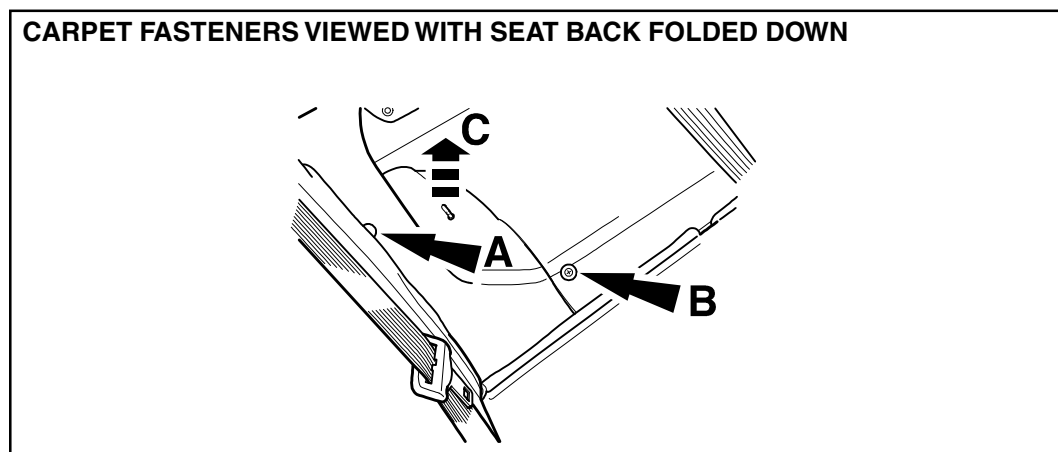


ILLUSTRATION 2

2. Working through the right side rear door, pry out the fir-tree fastener 'A' in Illustration 2. Release (1/4 turn) the fastener 'B' and pry it from the carpet of the luggage compartment. This illustration shows the carpet fasteners arrowed as 'A' and 'B' on the right hand side of the vehicle, as viewed through the right hand rear door, looking rearwards. Arrow 'C' indicates that the side carpet must first be raised clear of the hook before it can be released and repositioned towards the right hand side of the luggage compartment. Left side of vehicle is a mirror-image of this view.
3. Via the left rear door, remove the similar fasteners on the opposite side of the vehicle.
4. Roll the center section of the carpet rearwards into the luggage compartment.

5. On one side, raise the side carpet clear of the projecting hook in the luggage compartment floor ('C', Illustration 2). Release the side carpet from the trim against the side of the vehicle until the front portion can be rolled clear sufficiently to provide access to the areas shown in Illustrations 3 and 4. Repeat for the opposite side of the vehicle.

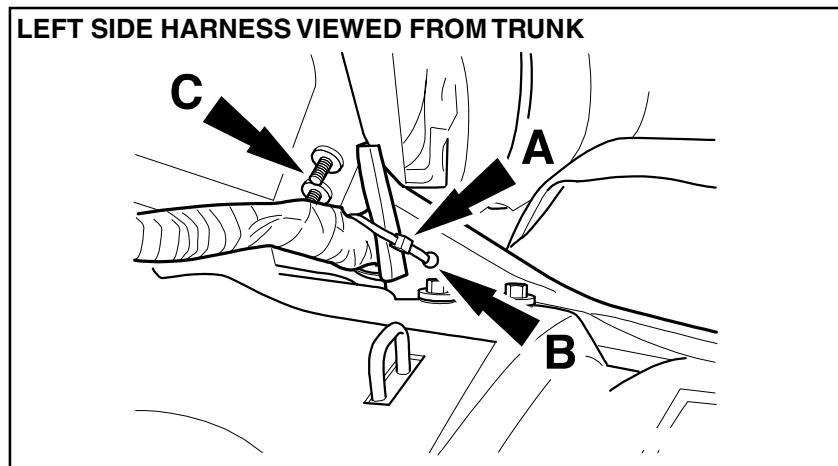


ILLUSTRATION 3

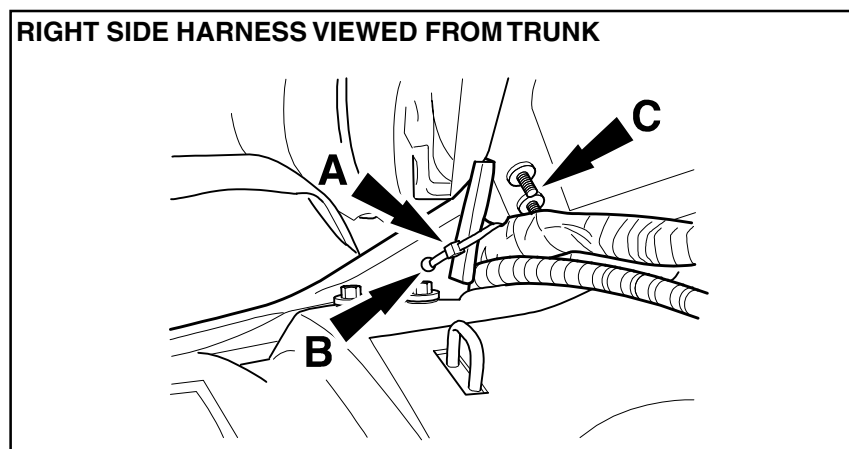


ILLUSTRATION 4

6. On the left side, pass a tie-strap 'A' through the hole 'B' in the body stiffener plate and then around the main body harness. Tighten the tie-strap so that the body harness is retained away from the threads of the two securing bolts 'C', and cannot become chafed on these bolts. Cut off the excess length of tie-strap.
7. Repeat item 6 at the right side, noting that on this side the tie-strap passes around the main battery feed cable in addition to the body harness.
8. Reinstall the portions of the side carpet, taking care to tuck them under the trim at the side of the vehicle to restore the original appearance and to permit the fir-tree fasteners to be reinstalled in their original locations without any distortion of the side carpets. Roll the center section of the carpet forward to its correct location before installing the fir-tree fasteners shown at 'B' in illustration 2.

9. Return the rear seat squabs to their upright and latched condition. Close the rear doors and the lid of the luggage compartment.

### ITEM 3 LOCKING WHEEL NUTS - VEHICLE SET - REPLACE

#### **MEXICO ONLY VIN RANGE L00600 - L16900**

1. Open the luggage compartment; remove the spare wheel for access to the lifting jack. Remove the locking wheel nut adapter from the foam pad within the jack.
2. At each wheel, identify the locking wheel nut and remove its decorative cover.
3. Use the key to remove each locking wheel nut.
4. Carefully open the pack of replacement locking wheel nuts. Remove the nuts and key, etc.
5. Install and tighten one replacement locking wheel nut per road wheel.  
Torque Wrench Setting:  $126 \pm 10$  Nm ( $93 \pm 7.5$  lb. ft.)
7. Fit the decorative trim cover to each locking wheel nut.
8. Store the adapter, etc, within the foam block located within the lifting jack.

### ITEM 4 CHECK ACTION OF TURN SIGNAL SWITCH

#### **VIN RANGE L00600 - L16600**

1. Raise the front wheels clear of the floor.
2. With the engine idling to permit the steering wheel to be turned easily and rapidly, check that light initial movement of the turn signal switch provides 'hand held' temporary operation of the flashing indicators, to both the left and right of the center 'off' position.
3. Check that full travel in each direction results in a firm locking action to provide constant operation of the turn signal.
4. Check that when the turn signals are operating as in (3) above, the locking action is not released by a light brush with the fingers (to simulate the moving vehicle passing over a bump or pothole in the road). The locking action should require deliberate action to manually release.
5. Check that movement of the steering wheel in the appropriate direction will always cancel the detent action, thus releasing the switch which must self-return to the central 'off' position under spring action.
6. Check that rapid movement of the steering wheel to cancel the detent action does NOT result in excessive travel of the switch, causing it to travel through the center 'OFF' position and to latch into the position which operates the turn signals for a turn in the opposite direction.
7. Replace the switch if it does not pass all the tests.

## ITEM 4 TURN SIGNAL SWITCH - REPLACE, IF NECESSARY

### **VIN RANGE L00600 - L16600**

This operation requires the use of Special Tool 303-D121, Puller, for removal of the steering wheel.

There are illustrations in JTIS, Section 211-04, of the removal/replacement procedure for the steering wheel, and in JTIS, Section 211-05, of the removal/replacement procedure for the turn signal switch.

1. Disconnect the battery.
2. Ensure that the steering wheel is in the straight-ahead position. Tilt the steering column to its lowest position.
3. Displace and remove the plastic covers from the two screws which retain the driver's air bag; remove the screws. Lift the air bag clear, disconnect the multiplug and set the air bag down clear of the working area.
4. Disconnect the multiplugs at the horn switch, cruise control, and radio remote control.
5. Remove 4 screws and remove the horn switch.
6. Loosen (but do NOT remove) the steering wheel securing Torx bolt. (4 - 5 turns).
7. Fit the drive screw of puller (Special Tool 303-D121) into the cupped end of JD10/2. Align the flat side on the head of the retaining bolt of the steering wheel. Operate the puller in the two leg configuration to release the steering wheel from the taper on the column. It may be necessary to prevent the steering wheel screw from rotating by holding the bolt with pliers.
8. Remove the puller from the wheel. Remove and discard the steering wheel securing bolt. Remove the steering wheel.
9. Remove the two screws and remove the lower and upper cowls after disconnecting the electrical connector to the column adjustment switch.
10. Disconnect the wiper switch harness (Black multiplug) and the turn signal switch harness (White multiplug).
11. Remove the 4 retaining screws and lift the switch assembly clear of the column. Note that it is retained by the harness leading to the indicator cancellation module.
12. Remove the 2 screws and withdraw the direction indicator switch from the switch assembly.
13. Install the replacement switch and reassemble in the reverse order of dismantling.

Steering wheel securing screw:

Use a **NEW** screw when reinstalling the wheel.

Torque Wrench Setting: 35 Nm

## ITEM 5 SEALING OF COOLING FAN MODULE HARNESS

### **VIN RANGE L00600 - L16267**

1. Disconnect the battery.

2. Open the hood and fit fender covers.
3. On **4.0L vehicles**, remove the air intake duct. On **all vehicles**, working from above, on the left hand side of the radiator, release and disconnect the multiplug from the cooling fan module. (Depress tangs on each side of multiplug).
4. Release and disconnect the multiplug from the cooling fan motor.
5. Release the harness from a spring clip on the fan cowl between the module and motor and ease out of its location a ratchet strap/fir tree fastener to allow the harness to be raised for access.
6. Examine the Cooling Fan Module and the multiplug for signs of water ingress. Should water be present, blow with an airline until completely dry.
7. Carefully examine the pins of the connector on the Cooling Fan Module and its multiplug. Should either be seriously corroded, replace the module and/or harness. Omit steps 8 - 11 below; continue at step 12.

**Note:** Experience indicates that this situation will be extremely rare, affecting **ONLY** a very few vehicles which have been operated on roads which have been heavily salted as a deicing precaution.

8. Apply a suitable cleaning fluid to the rear face of the harness multiplug; blow with an airline until completely dry.
9. Using a tube of polyurethane-based sealer, trim the tip of the nozzle to allow sealer to be injected into the rear face of the harness multiplug so as to seal the entry of the wiring into the multiplug. **It is necessary to use a polyurethane-based sealer and not a silicone-based sealer due to sealing abilities of the polyurethane.** Fill each of the 4 large cells of the plug until the sealer is flush with the rear face of the plug and adhering to the wiring (Illustration 5).

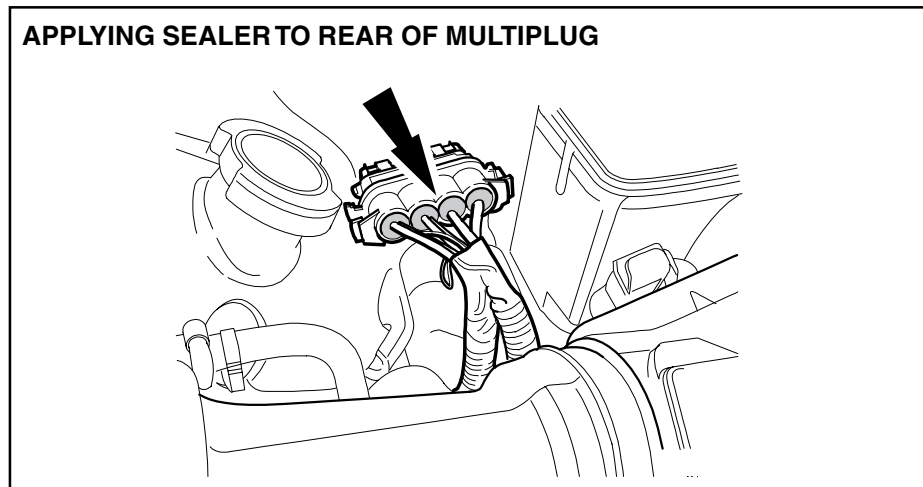


ILLUSTRATION 5

10. If possible, allow time for the sealer to partly-dry or cure before reinstalling the multiplug to the module and correctly locating the harness into its retaining clips. Where convenient, allow drying or curing to occur overnight.
11. Reinstall the cable clips to retain the harness. Remove the fender covers and close the hood.

If it is necessary to replace the Fan Control Module:

12. Raise the vehicle on a 4 post lift.
13. Remove the 3 screws that retain the undertray to the No. 1 cross-beam.

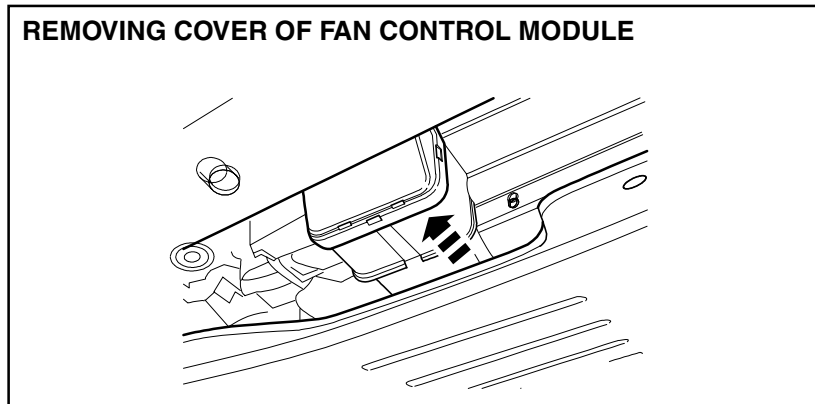


ILLUSTRATION 6

14. Release the 5 plastic tangs which retain the cover of the Fan Control Module and remove the cover, (Illustration 6).
15. Remove the retaining bolt from the rear of the module (Illustration 7). Move the module upwards until there is sufficient clearance for it to be removed. Install the replacement unit by a reversal of the above procedure.

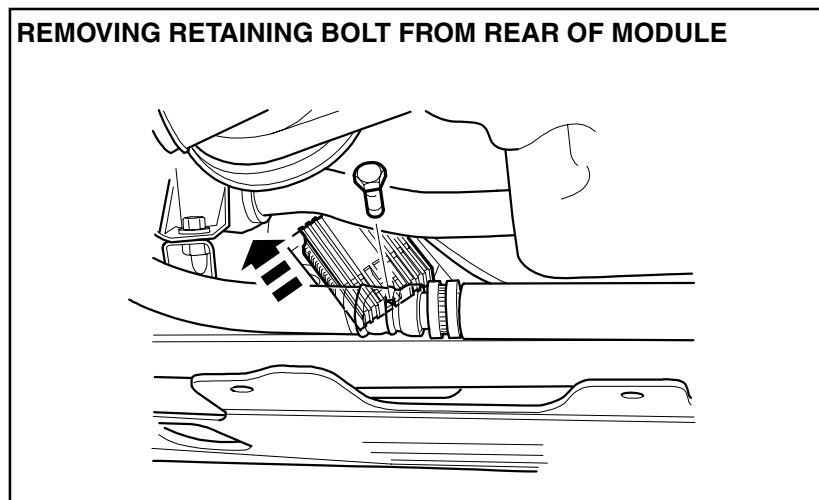


ILLUSTRATION 7

If it is necessary to replace the fan module harness:

16. On the left hand side of the vehicle, release the harness from all multiplug connectors and harness retaining clips.
17. Trace the harness across the top of the radiator fan cowl, releasing all securing clips; continue to trace the harness on the right hand side of the vehicle, releasing clips and disconnecting multiplugs until the harness can be released from the vehicle.
18. Fit and reconnect the replacement harness in the reverse order, ensuring that all multiplugs are fully engaged and that all fixings are secure.



**ITEM 6 REPLACE MEGAFUSE  
VIN RANGE L00600 - L12078**

1. Disconnect the battery. Remove the spare wheel and jack to improve access.
2. Locate the Megafuse which is attached to the front face (nearest the rear seat) of the Rear Power Distribution Box, on the right hand side of the luggage compartment.
3. Release and remove the cover - located by 4 tangs (Illustration 8).

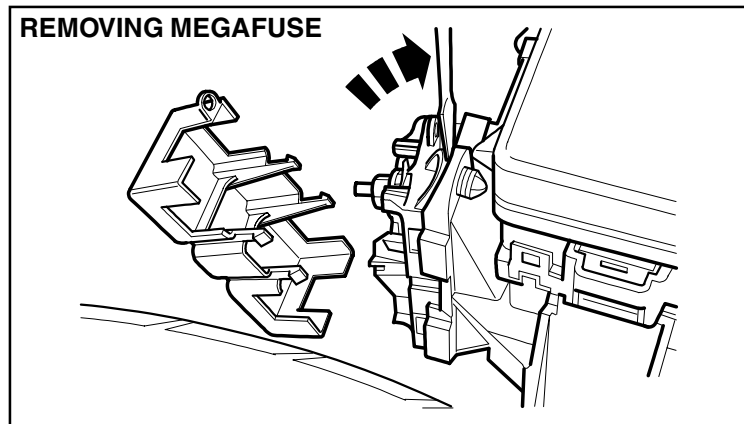


ILLUSTRATION 8

4. Remove the terminal nuts and disconnect the power leads. **Note their locations to assist in reassembly.**
5. Carefully pry the Megafuse away from the Rear Power Distribution Box - it is retained by captive 'fir tree' fasteners. Discard the old megafuse.
6. Install the new megafuse part no. XR8 12486. Torque the terminal nuts to 9.5 Nm. Reassemble in reverse order.
7. Reset the clock.

**INSTALL AUTHORIZED MODIFICATION LABEL**

Enter your dealer number and the date on the Authorized Modification Label (Illustration 9). Apply the label to **the left B-post below the striker**. Then apply the clear sheet over the label.

<b>S120/S129 AUTHORIZED MODIFICATION LABEL</b>												
	<table border="1" style="margin-left: auto; margin-right: auto;"> <tr> <td style="padding: 2px;"><b>AUTHORIZED MODIFICATIONS</b></td> </tr> <tr> <td style="padding: 2px; font-size: small;">THE FOLLOWING MODIFICATIONS HAVE BEEN MADE:</td> </tr> <tr> <td style="padding: 2px; text-align: center;"><b>S120 S-TYPE ENHANCEMENT</b></td> </tr> <tr> <td style="padding: 2px; text-align: center;"><b>REPROGRAM PCM</b></td> </tr> <tr> <td style="padding: 2px; text-align: center;"><b>S120/S129</b></td> </tr> <tr> <td style="padding: 2px; font-size: small;">THESE MODIFICATIONS HAVE BEEN APPROVED, AS APPROPRIATE BY THE EPA, CARB, &amp; NHTSA.</td> </tr> <tr> <td style="padding: 2px; font-size: small;">DEALER NUMBER: <input style="width: 100px;" type="text"/></td> </tr> <tr> <td style="padding: 2px; font-size: small;">DATE: <input style="width: 100px;" type="text"/></td> </tr> <tr> <td style="padding: 2px; font-size: x-small;">CHANGE AUTHORITY: S120 EMISSIONS</td> </tr> <tr> <td style="padding: 2px; font-size: x-small;">JAGUAR PLC CAMPAIGN</td> </tr> <tr> <td style="padding: 2px; font-size: x-small; text-align: right;">PRINTED IN U.S.A.</td> </tr> </table>	<b>AUTHORIZED MODIFICATIONS</b>	THE FOLLOWING MODIFICATIONS HAVE BEEN MADE:	<b>S120 S-TYPE ENHANCEMENT</b>	<b>REPROGRAM PCM</b>	<b>S120/S129</b>	THESE MODIFICATIONS HAVE BEEN APPROVED, AS APPROPRIATE BY THE EPA, CARB, & NHTSA.	DEALER NUMBER: <input style="width: 100px;" type="text"/>	DATE: <input style="width: 100px;" type="text"/>	CHANGE AUTHORITY: S120 EMISSIONS	JAGUAR PLC CAMPAIGN	PRINTED IN U.S.A.
<b>AUTHORIZED MODIFICATIONS</b>												
THE FOLLOWING MODIFICATIONS HAVE BEEN MADE:												
<b>S120 S-TYPE ENHANCEMENT</b>												
<b>REPROGRAM PCM</b>												
<b>S120/S129</b>												
THESE MODIFICATIONS HAVE BEEN APPROVED, AS APPROPRIATE BY THE EPA, CARB, & NHTSA.												
DEALER NUMBER: <input style="width: 100px;" type="text"/>												
DATE: <input style="width: 100px;" type="text"/>												
CHANGE AUTHORITY: S120 EMISSIONS												
JAGUAR PLC CAMPAIGN												
PRINTED IN U.S.A.												
<p><b>WRITE IN DEALER NUMBER</b></p> <p>→</p>	<p><b>WRITE IN DATE</b></p> <p>→</p>											

ILLUSTRATION 9

**Parts Information:**

<u>DESCRIPTION</u>	<u>PART NO</u>	<u>QTY/VEH</u>
Megafuse	XR8 12486	1
Cooling Fan Module	XR8 6419	1, IF REQUIRED *
Harness, Module to Fan Motor	XR8 18587	1, IF REQUIRED *
Indicator Switch	JLM 20938	1, IF REQUIRED *
Screw, Steering Wheel Securing	XR8 2399	1, IF REQUIRED *
Tie Strap	ADU 9028	2
Kit, Locking Wheel Nuts <b>(Mexico only)</b>	JLM 20962	1
S120/129 Authorized Modification Label	S120129/STK	1
The following items may also be required: Polyurethane-base sealer	Obtain locally	10% of tube

**\*Only a small number of vehicles will require these parts - please order accordingly.**

**Warranty Information:**

Service Action S120

**VIN L00600-L12078**

<u>VEHICLE</u>	<u>SUMMARY</u> <u>CODE</u>	<u>R.O.</u> <u>NUMBER</u>	<u>DESCRIPTION</u>	<u>TIME</u> <u>ALLOWANCE</u>
S-TYPE 2000 MY VIN L00600-L12078 Model codes 6100, 6300, 6310	HA	86.70.83	Replace Megafuse	0.25 hrs.
		86.92.50	<b>Seal</b> Cooling Fan Module Harness	0.20 hrs.
		10.10.99	<b>Check</b> Operation of Turn Signal Switch	0.10 hrs.
		86.92.55	Reroute Main Body Harness	0.20 hrs.
		10.10.10	Drive in/Drive out	0.15 hrs,

<u>Part Numbers</u>	<u>Description</u>	<u>Qty.</u>
XR8 12486	Megafuse	1
ADU 9028	Tie strap	2

**Sublet** \$1.00

**VIN L00600-L12078**

<u>VEHICLE</u>	<u>SUMMARY</u> <u>CODE</u>	<u>R.O.</u> <u>NUMBER</u>	<u>DESCRIPTION</u>	<u>TIME</u> <u>ALLOWANCE</u>
S-TYPE	<b>HB</b>			
2000 MY		86.70.83	Replace Megafuse	0.25 hrs.
VIN L00600-L12078		86.92.50	<b>Seal</b> Cooling Fan Module	
Model codes 6100, 6300, 6310		86.92.49	Harness	0.20 hrs.
		86.92.55	<b>Replace</b> Turn Signal Switch	0.60 hrs.
		10.10.10	Reroute Main Body Harness	0.20 hrs.
			Drive in/Drive out	0.15 hrs,

<b>Part Numbers</b>	<b>Description</b>	<b>Qty.</b>
XR8 12486	Megafuse	1
JLM 20938	Turn signal switch	1
XR8 2399	Screw - strng wheel	1
ADU 9028	Tie strap	2

**Sublet** \$1.00

**VIN L00600-L12078**

<u>VEHICLE</u>	<u>SUMMARY</u> <u>CODE</u>	<u>R.O.</u> <u>NUMBER</u>	<u>DESCRIPTION</u>	<u>TIME</u> <u>ALLOWANCE</u>
S-TYPE	<b>HC</b>			
2000 MY		86.70.83	Replace Megafuse	0.25 hrs.
VIN L00600-L12078		86.92.52	<b>Replace</b> Cooling Fan Module	
Model codes 6100, 6300, 6310		86.92.49	& Harness	0.50 hrs.
		86.92.55	<b>Replace</b> Turn Signal Switch	0.60 hrs.
		10.10.10	Reroute Main Body Harness	0.20 hrs.
			Drive in/Drive out	0.15 hrs,

<b>Part Numbers</b>	<b>Description</b>	<b>Qty.</b>
XR8 12486	Megafuse	1
XR8 6419	Cooling fan module	1
XR8 18587	Fan module harness	1
JLM 20938	Turn signal switch	1
XR8 2399	Screw - strng wheel	1
ADU 9028	Tie strap	2

**Sublet** No sublet

**VIN L00600-L12078**

<u>VEHICLE</u>	<u>SUMMARY</u> <u>CODE</u>	<u>R.O.</u> <u>NUMBER</u>	<u>DESCRIPTION</u>	<u>TIME</u> <u>ALLOWANCE</u>
S-TYPE	HD			
2000 MY		86.70.83	Replace Megafuse	0.25 hrs.
VIN L00600-L12078		86.92.52	<b>Replace</b> Cooling Fan Module & Harness	0.50 hrs.
Model codes 6100, 6300, 6310		10.10.99	<b>Check</b> Operation of Turn Signal Switch	0.10 hrs.
		86.92.55	Reroute Main Body Harness	0.20 hrs.
		10.10.10	Drive in/Drive out	0.15 hrs,

<u>Part Numbers</u>	<u>Description</u>	<u>Qty.</u>
XR8 12486	Megafuse	1
XR8 6419	Cooling fan module	1
XR8 18587	Fan module harness	1
ADU 9028	Tie strap	2

**Sublet** No sublet

**VIN L12079-L16267**

<u>VEHICLE</u>	<u>SUMMARY</u> <u>CODE</u>	<u>R.O.</u> <u>NUMBER</u>	<u>DESCRIPTION</u>	<u>TIME</u> <u>ALLOWANCE</u>
S-TYPE	HE			
2000 MY		86.92.50	<b>Seal</b> Cooling Fan Module Harness	0.20 hrs.
VIN L12079-L16267		10.10.99	<b>Check</b> Operation of Turn Signal Switch	0.10 hrs.
Model codes 6100, 6300, 6310		86.92.55	Reroute Main Body Harness	0.20 hrs.
		10.10.10	Drive in/Drive out	0.15 hrs,

<u>Part Numbers</u>	<u>Description</u>	<u>Qty.</u>
ADU 9028	Tie strap	2

**Sublet** \$1.00

**VIN L12079-L16267**

<u>VEHICLE</u>	<u>SUMMARY</u> <u>CODE</u>	<u>R.O.</u> <u>NUMBER</u>	<u>DESCRIPTION</u>	<u>TIME</u> <u>ALLOWANCE</u>
S-TYPE 2000 MY VIN L12079-L16267 Model codes 6100, 6300, 6310	HF	86.92.50 86.92.49 86.92.55 10.10.10	<b>Seal</b> Cooling Fan Module Harness <b>Replace</b> Turn Signal Switch Reroute Main Body Harness Drive in/Drive out	0.20 hrs. 0.60 hrs. 0.20 hrs. 0.15 hrs,

<u>Part Numbers</u>	<u>Description</u>	<u>Qty.</u>
JLM 20938	Turn signal switch	1
XR8 2399	Screw - strng wheel	1
ADU 9028	Tie strap	2

**Sublet** \$1.00

**VIN L12079-L16267**

<u>VEHICLE</u>	<u>SUMMARY</u> <u>CODE</u>	<u>R.O.</u> <u>NUMBER</u>	<u>DESCRIPTION</u>	<u>TIME</u> <u>ALLOWANCE</u>
S-TYPE 2000 MY VIN L12079-L16267 Model codes 6100, 6300, 6310	HG	86.92.52 86.92.49 86.92.55 10.10.10	<b>Replace</b> Cooling Fan Module & Harness <b>Replace</b> Turn Signal Switch Reroute Main Body Harness Drive in/Drive out	0.20 hrs. 0.60 hrs. 0.20 hrs. 0.15 hrs,

<u>Part Numbers</u>	<u>Description</u>	<u>Qty.</u>
XR8 6419	Cooling fan module	1
XR8 18587	Fan module harness	1
JLM 20938	Turn signal switch	1
XR8 2399	Screw - strng wheel	1
ADU 9028	Tie strap	2

**Sublet** No sublet

**VIN L12079-L16267**

<u>VEHICLE</u>	<u>SUMMARY</u> <u>CODE</u>	<u>R.O.</u> <u>NUMBER</u>	<u>DESCRIPTION</u>	<u>TIME</u> <u>ALLOWANCE</u>
S-TYPE 2000 MY VIN L12079-L16267 Model codes 6100, 6300, 6310	HH	86.92.52	<b>Replace</b> Cooling Fan Module & Harness	0.20 hrs.
		10.10.99	<b>Check</b> Operation of Turn Signal Switch	0.10 hrs.
		86.92.55	Reroute Main Body Harness	0.20 hrs.
		10.10.10	Drive in/Drive out	0.15 hrs,

<b>Part Numbers</b>	<b>Description</b>	<b>Qty.</b>
XR8 6419	Cooling fan module	1
XR8 18587	Fan module harness	1
ADU 9028	Tie strap	2

**Sublet** No sublet

**VIN L16268-L16600**

<u>VEHICLE</u>	<u>SUMMARY</u> <u>CODE</u>	<u>R.O.</u> <u>NUMBER</u>	<u>DESCRIPTION</u>	<u>TIME</u> <u>ALLOWANCE</u>
S-TYPE 2000 MY VIN L16268-L16600 Model codes 6100, 6300, 6310	HJ	10.10.99	<b>Check</b> Operation of Turn Signal Switch	0.10 hrs.
		86.92.55	Reroute Main Body Harness	0.20 hrs.
		10.10.10	Drive in/Drive out	0.15 hrs,

<b>Part Numbers</b>	<b>Description</b>	<b>Qty.</b>
ADU 9028	Tie strap	2

**Sublet** No sublet

**VIN L16268-L16600**

<u>VEHICLE</u>	<u>SUMMARY</u> <u>CODE</u>	<u>R.O.</u> <u>NUMBER</u>	<u>DESCRIPTION</u>	<u>TIME</u> <u>ALLOWANCE</u>
S-TYPE 2000 MY VIN L16268-L16600 Model codes 6100, 6300, 6310	HK	86.92.49	<b>Replace</b> Turn Signal Switch	0.60 hrs.
		86.92.55	Reroute Main Body Harness	0.20 hrs.
		10.10.10	Drive in/Drive out	0.15 hrs,

<b>Part Numbers</b>	<b>Description</b>	<b>Qty.</b>
JLM 20938	Turn signal switch	1
XR8 2399	Screw - strng wheel	1
ADU 9028	Tie strap	2

**Sublet** No sublet

**VIN L16601-L24665**

<u>VEHICLE</u>	<u>SUMMARY</u> <u>CODE</u>	<u>R.O.</u> <u>NUMBER</u>	<u>DESCRIPTION</u>	<u>TIME</u> <u>ALLOWANCE</u>
S-TYPE	HL			
2000 MY		86.92.55	Reroute Main Body Harness	0.20 hrs.
VIN L16601-L24665		10.10.10	Drive in/Drive out	0.15 hrs,
Model codes 6100, 6300, 6310				

<u>Part Numbers</u>	<u>Description</u>	<u>Qty.</u>
ADU 9028	Tie strap	2

**Sublet**                      No sublet

**VIN L24666-L44157**

Refer to Technical Bulletin S303-01 for Service Action S129.