

**3.0 L V6 Knock Sensor Designations –
Not Based On Cylinder Bank Designations –
Clarification**

MODEL 2000-02 MY
S-TYPE (3.0L) V6
VIN

Issue:

It is important to note that the V6 knock sensors are numbered as front and rear - not based on the engine banks. The front knock sensor (1) is located in the vee at the top of the engine where it senses knocking from bank 2, the left bank (Illustration 1).

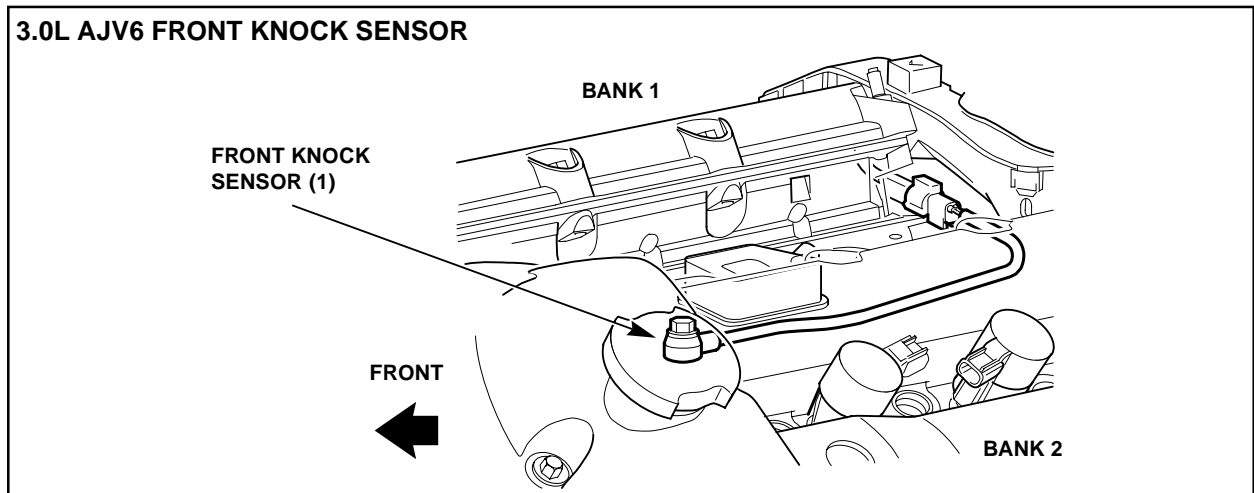


ILLUSTRATION 1

The rear knock sensor (2) is located on the right side of the block, above the starter motor (Illustration 2), where it senses knocking from bank 1, the right bank, where cylinder 1 is located (Illustration 3).

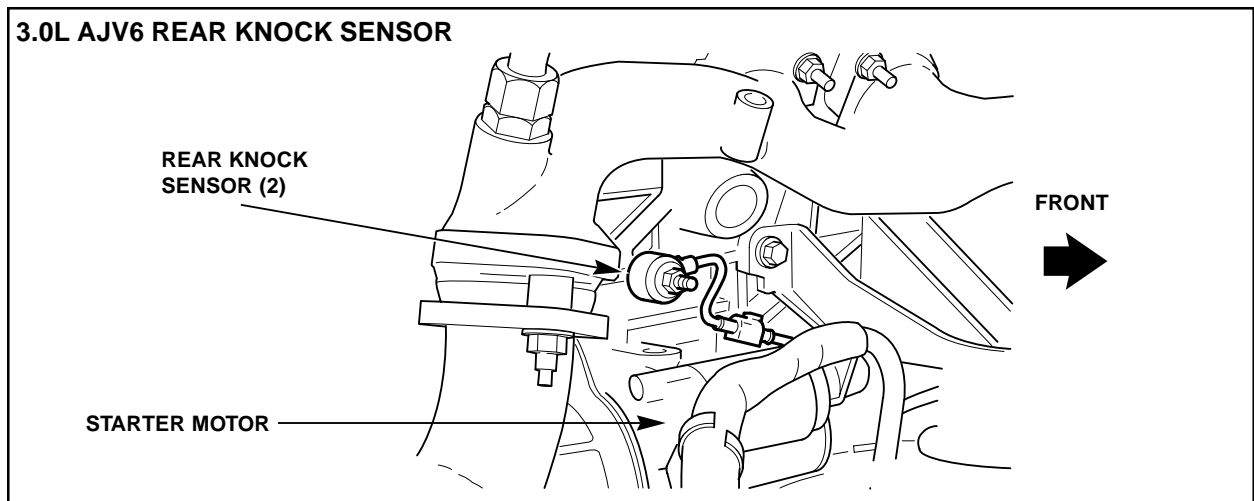


ILLUSTRATION 2

CYLINDER NUMBERING AND BANK DESIGNATIONS (2000-02 MY S-TYPE ONLY)

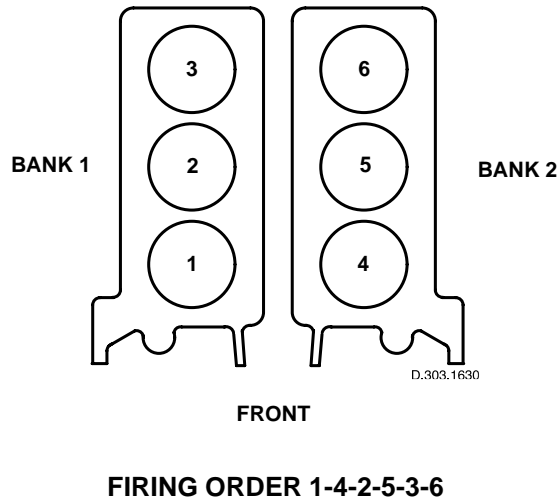


ILLUSTRATION 3

This apparent contradiction must be kept in mind, when using the electrical guides or the DTC summaries.

- DTC P0325 applies to the **front** knock sensor on top of the engine.
- DTC P0330 applies to the **rear** knock sensor on the side of the engine block.

Note this correction in your DTC Summary book.

Refer to the cross-reference matrix below.

S-TYPE AJ-V6 3.0L KNOCK SENSOR IDENTIFICATION MATRIX

Knock Sensor	Wire colors	Connector ID no.	Connector pins	DTC	Senses Knock on Bank	Location on Engine
Front (1)	SB, WB (slate/black, white/black)	PI26	round	P0325	2	In vee, adjacent to intake manifold
Rear (2)	WR, SR (white/red, slate/red)	PI27	flat	P0330	1	Right side of block above starter motor