



S-TYPE

DATE 03/05  
Amended 05/05

S303-24

SERVICE

## TECHNICAL BULLETIN

V6 Engine MIL Lamp On/DTC P0332 –  
Water Entry In Knock Sensor Connector –  
Install Sealing Patch

MODEL 2003-04 MY  
S-TYPE 3.0L  
VIN M44998-N13088

Remove and destroy Bulletin S303-24, dated 03/05.  
Replace with this Bulletin.  
Revisions are marked with a bar and in **bold text**.

### Issue:

Some 2003-04 MY 3.0L V6 S-TYPE vehicles within the above VIN range may have the Malfunction Indicator Lamp (MIL) illuminating with DTC P0332 stored.

### Cause:

Water can run through the cowl panel fixing hole, on to the engine harness carrier and into the knock sensor.

### Action:

In case of a customer complaint of the above condition on a 2003-04 MY 3.0L V6 S-TYPE vehicle within the above VIN range, install a new knock sensor, and install a sealing patch on the suspension turret to bulkhead brace. Follow the Service Instruction outlined below.

1. Open hood and install fender protection covers.

**Note:** Ensure WDS is loaded with software release JTP 759/36 or later.

2. Position Worldwide Diagnostic System (WDS) alongside vehicle, switch Portable Test Unit (PTU) 'ON' and allow software to load.
3. Enter VIN and navigate to DTC monitor.

**Note:** Carry out any associated diagnostic routines and clear any fault codes. Any repairs are to be carried out as a separate Warranty Claim.

4. Record all DTCs in the Engine Control Module (ECM) and Transmission Control Module (TCM).

**NOTE: THE INFORMATION IN TECHNICAL BULLETINS IS INTENDED FOR USE BY TRAINED, PROFESSIONAL TECHNICIANS WITH THE KNOWLEDGE, TOOLS, AND EQUIPMENT TO DO THE JOB PROPERLY AND SAFELY. IT INFORMS THESE TECHNICIANS OF CONDITIONS THAT MAY OCCUR ON SOME VEHICLES, OR PROVIDES INFORMATION THAT COULD ASSIST IN PROPER VEHICLE SERVICE. THE PROCEDURES SHOULD NOT BE PERFORMED BY "DO-IT-YOURSELFERS." DO NOT ASSUME THAT A CONDITION DESCRIBED AFFECTS YOUR CAR. CONTACT A JAGUAR DEALER TO DETERMINE WHETHER THE BULLETIN APPLIES TO YOUR VEHICLE.**

5. Switch 'OFF' PTU, disconnect from vehicle and return WDS to original location.
6. Remove the cowl panel grille (see Global Technical Reference GTR Workshop Manual, section 501-02).
7. Clean the area on the bulkhead bracket of the suspension turret brace where the adhesive patch will be applied (Illustration 1).

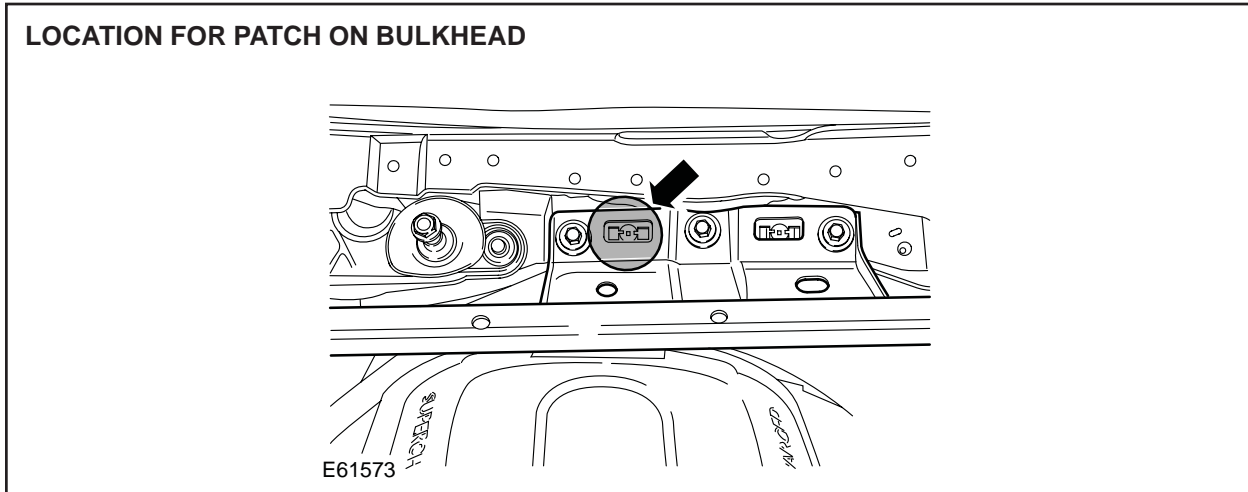


ILLUSTRATION 1

8. Ensure the plastic insert is centered in the rectangular hole of the brace.
9. Remove and discard the backing from the adhesive patch and install the patch centered over right-hand rectangular hole furthest to the rear the brace (see illustration 1).
10. Install the cowl panel grille (see Global Technical Reference GTR Workshop Manual, section 501-02).
11. Remove the **left-hand** (upper) knock sensor (see Global Technical Reference GTR Workshop Manual, section 303-14A, SRO 18.30.92).
12. Remove the engine harness electrical connector for the knock sensor from the mounting, and position it downwards to ensure no water is present in the PVC tube that covers the harness.

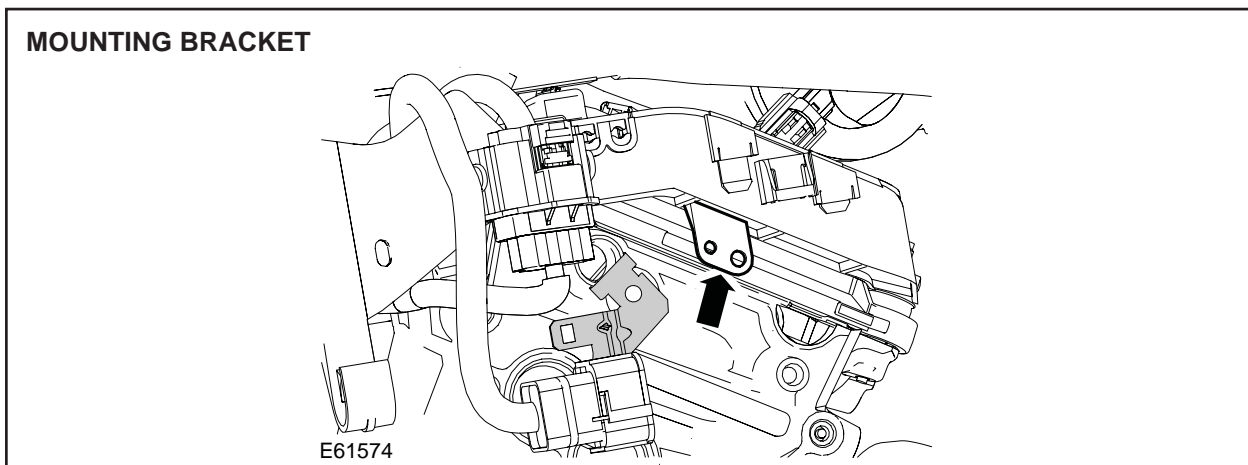


ILLUSTRATION 2

13. Install the engine harness electrical connector for the knock sensor in the new mounting position (Illustration 3).

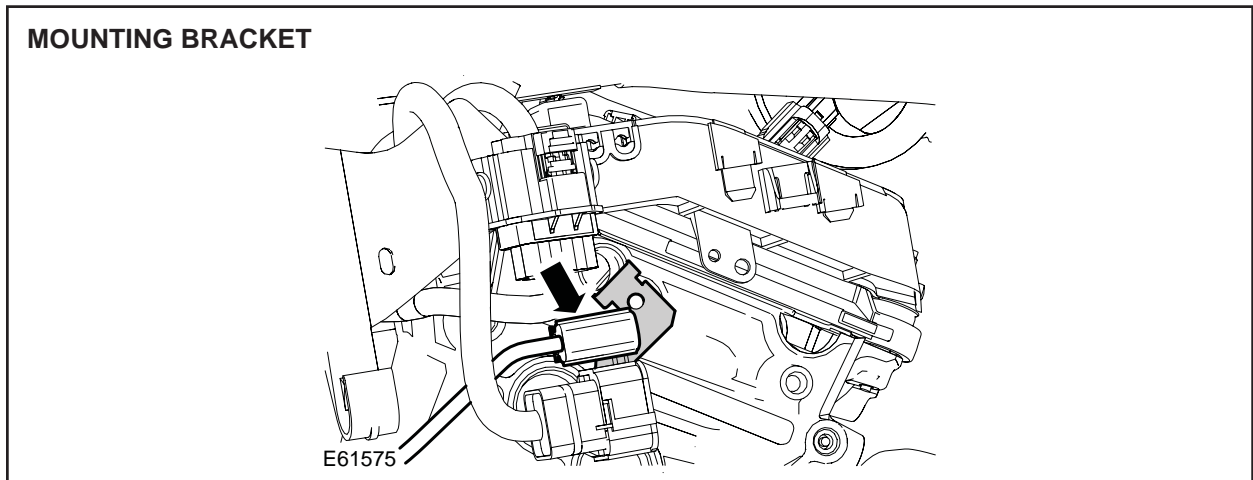


ILLUSTRATION 3

14. Install the left-hand knock sensor (see Global Technical Reference GTR Workshop Manual, section 303-14A, SRO 18.30.92).
15. Remove fender protection covers and close hood.

**Global Technical Reference (GTR) Workshop Manual Information:**

Dealer access: <https://hub.franchise.jaguar.com>

Internet access: <http://www.jaguartechno.com>

**Parts Information:**

<u>DESCRIPTION</u>	<u>PART NUMBER</u>	<u>QTY</u>
Knock sensor	AJ8 5676	1
Sealing patch	XR8 31093	1

**Warranty Information:**

Warranty claims should be submitted quoting the information found in the table below. This will result in payment of the stated time and, where applicable parts/miscellaneous expense codes as listed.

Description	SRO	Time	Causal Part Number
Knock sensor and sealing patch - service fix	76.94.91	2.4 hrs.	XR8 31093