

**Inaccurate Ambient Temperature Reading In
Cold Weather – Relocate Ambient
Temperature Sensor – Modification Procedure**MODEL 2003 MY
S-TYPE R

VIN M45945-M61539

Issue:

Due to the position of the ambient temperature sensor and the influence of re-circulated air from the engine oil cooler, the ambient temperature sensor could be inaccurate up to 6° Celsius (10° F), when the vehicle is operating in low ambient temperatures.

Action:

In case of a customer complaint of the above condition on a 2003 MY S-TYPE R, within the above VIN range, reposition the ambient temperature sensor as described below.

WORKSHOP PROCEDURE

1. Raise vehicle on lift.
2. Remove radiator splash shield (Illustration 1).

MOUNTING POINTS FOR SPLASH SHIELD

ILLUSTRATION 1

RADIATOR LOWER COWL

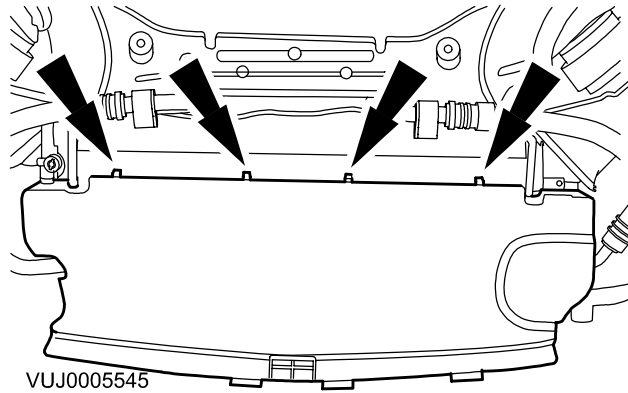


ILLUSTRATION 2

3. Remove the radiator lower cowl (Illustration 2).
4. Remove the lower center vent trim from the front bumper.

TEMPERATURE SENSOR CLIP

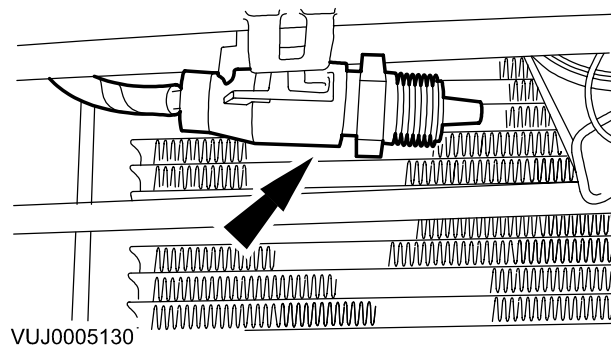


ILLUSTRATION 3

5. Remove the ambient temperature sensor from the mounting clip (Illustration 3).
6. Remove the ambient temperature sensor mounting clip from the front bumper beam.

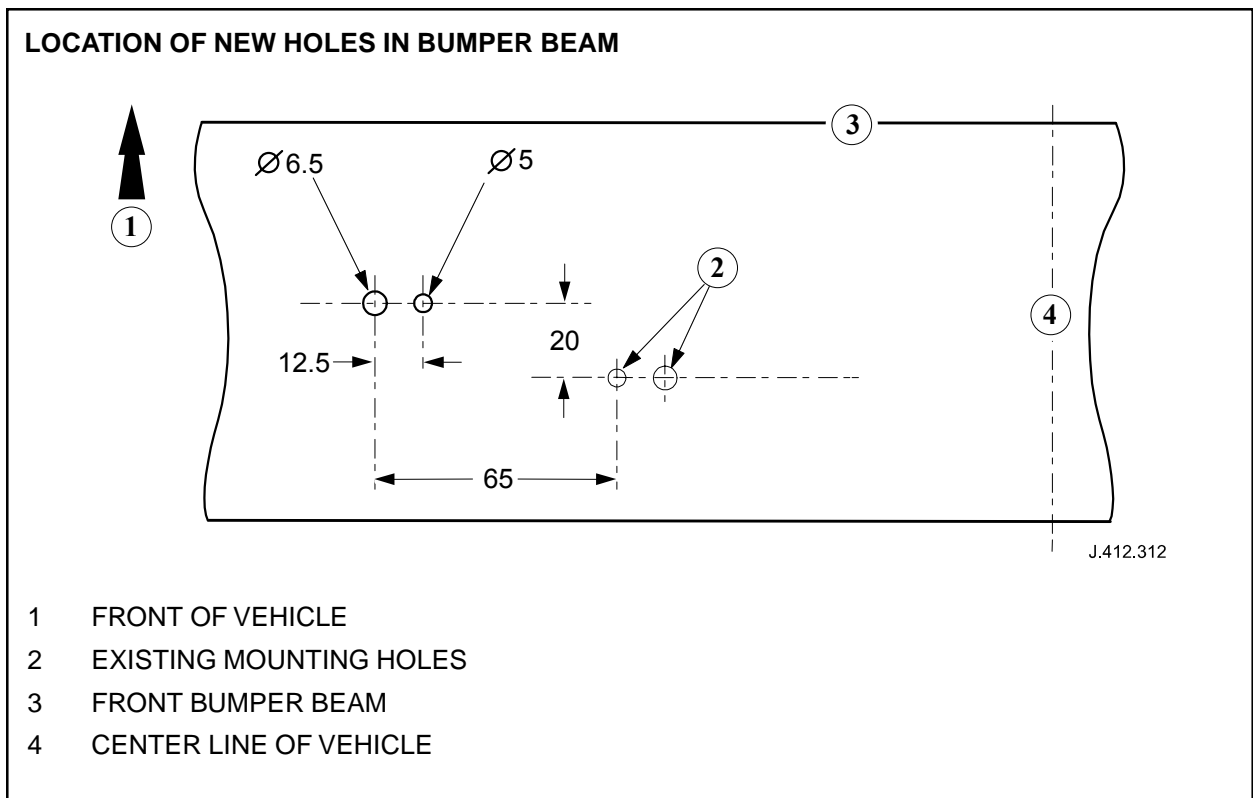


ILLUSTRATION 4

Note: Illustration 4 shows the front bumper beam viewed from the underside of the vehicle. All dimensions shown are in millimeters.

7. Mark the position of the new mounting holes for the ambient temperature sensor using dimensions shown in Illustration 4.
8. Center-punch the marked position of new mounting holes.
9. Drill the new mounting holes 5 mm and 6.5 mm diameters in opposite orientation to existing holes for the ambient temperature sensor (Illustration 4).
10. Install the sensor mounting clip in the opposite orientation using the new mounting holes.
11. Install ambient temperature sensor in the mounting clip.

RADIATOR LOWER COWL

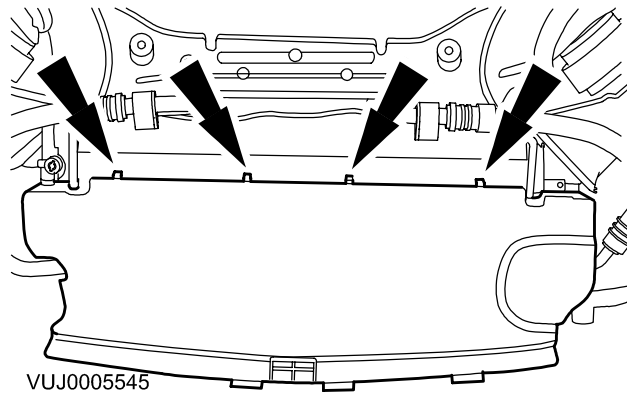


ILLUSTRATION 5

12. Install radiator lower cowl (Illustration 5).
13. Install radiator splash shield.
14. Install front bumper lower center vent trim.
15. Lower vehicle.

Warranty Information:

Warranty claims should be submitted quoting the information found in the table below. This will result in payment of the stated time and, where applicable parts/miscellaneous expense codes as listed.

Description	SRO	Time	Causal Part Number	Causal Part Description
Reposition ambient temperature sensor	82.91.27	0.5 hrs	XR8 1509	Ambient temperature sensor