

**Installation of Child Seat Tether Mounting Eyes – Dimensions – USA Vehicles**

MODEL 2000 MY-ON  
S-TYPE

VIN L00001-L30227

**Issue:**

Threaded inserts are present under the rear shelf area of all 2000 MY-ON S-TYPE. This bulletin outlines a procedure for installing the tether eye brackets on USA market vehicles to permit installation of the child tether restraint eyelet kit at customer expense.

**Action:**

No openings are present in the rear shelf of these vehicles. As a result the shelf must be removed to cut holes in the desired locations.

1. Remove the rear shelf.
2. Install the tether mounting bracket on the threaded inserts in the body structure. Torque the bracket bolts to 20 Nm +/- 3 Nm.
3. Cut openings in the rear shelf in the desired location according to the dimensions shown in Illustration 1.

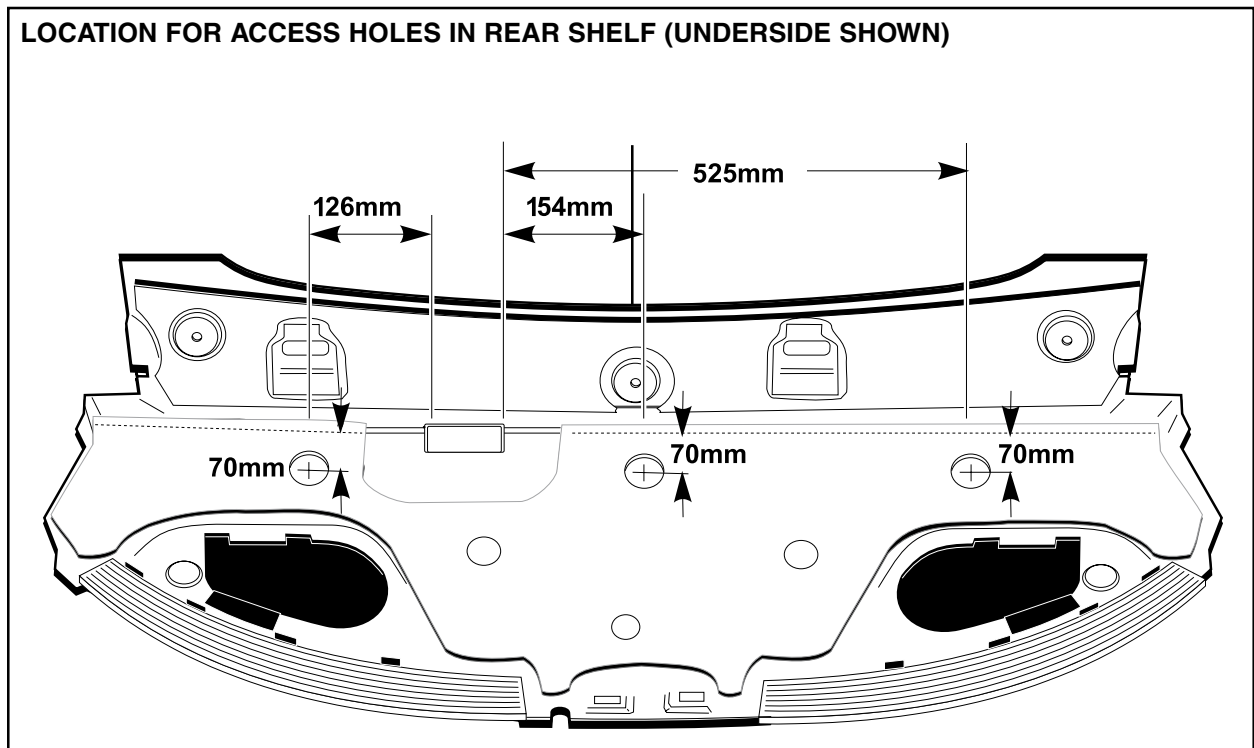


ILLUSTRATION 1

4. Verify the location(s) the customer desires for the tether mounting(s). Center punch and cut a 22 mm hole in the rear shelf using a hole saw. Reinstall the rear shelf. Install the tether eye kit in the desired position(s) and torque to 20 Nm +/- 3 Nm.

#### Parts Information:

<u>DESCRIPTION</u>	<u>PART NUMBER</u>	<u>QTY.</u>
Tether eye kit	XR8 10021	1 per seat
Bracket	XR8 10062	1 per seat
Bolts	JZS 100128	4 per seat
Cover - tether eye	HNE 2107AA/***	1 per seat

\*\*\* - color code  
LEG - warm charcoal  
AGM - almond  
LGM - pewter  
SDZ - cashmere  
HFX - catkin