



S-TYPE

DATE 05/04

S501-S163

SERVICE

TECHNICAL BULLETIN

Windshield Washer Hose Routing –
Left Wiper –
Service Action S163

MODEL 2005 MY
S-TYPE
VIN N13089-N18000

Issue:

A concern has been identified on a number of 2005 MY S-TYPE vehicles within the above VIN range. The windshield washer hose/spring is not positioned correctly within the windshield wiper arm. This could result in the windshield washer hose becoming trapped, preventing the windshield washers from working correctly.

Action:

Check the position of the hose and spring in the left side wiper arm and, if necessary, reposition the hose and spring within the arm on all 2005 MY S-TYPE vehicles within the above VIN range.

Only the left hand side washer hose requires the check.

Perform repairs, wherever possible, prior to the sale of the vehicle. On vehicles already in the hands of customers, perform the repair at the first opportunity.

NOTE: The information in Technical Bulletins is intended for use by trained, professional technicians with the knowledge, tools, and equipment to do the job properly and safely. It informs these technicians of conditions that may occur on some vehicles, or provides information that could assist in proper vehicle service. The procedures should not be performed by "do-it-yourselfers." Do not assume that a condition described affects your car. Contact a Jaguar retailer to determine whether the Bulletin applies to your vehicle.

Workshop Procedure

1. To check the positioning of the hose and spring within the wiper arm, remove the wiper arm, see Workshop Manual, section: 501-16, SRO 84.15.03. For confirmation of the correct routing refer to Illustration 1.

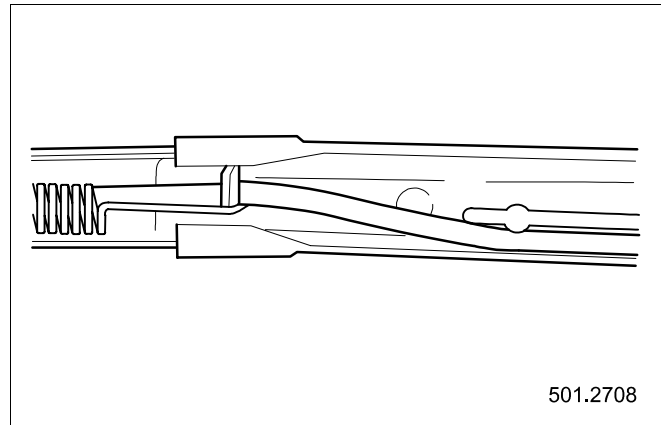


Illustration 1

2. If washer tubes require re-routing: Displace the washer hose from the carrier channel and pull the washer hose through the hole in the wiper arm casting. See Illustration 2.

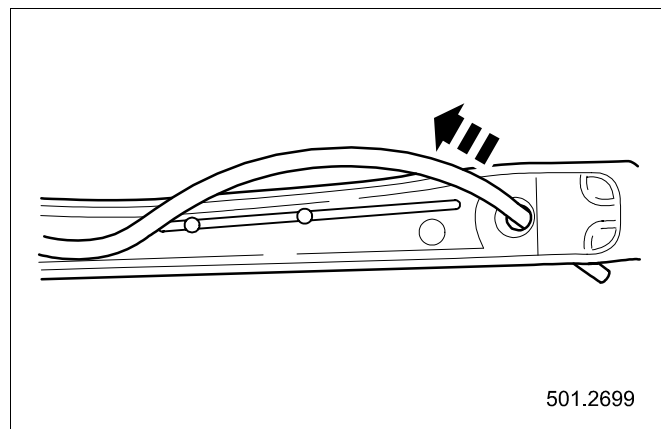


Illustration 2

3. Pull the washer hose from under the spring mounting pin. See Illustration 3.

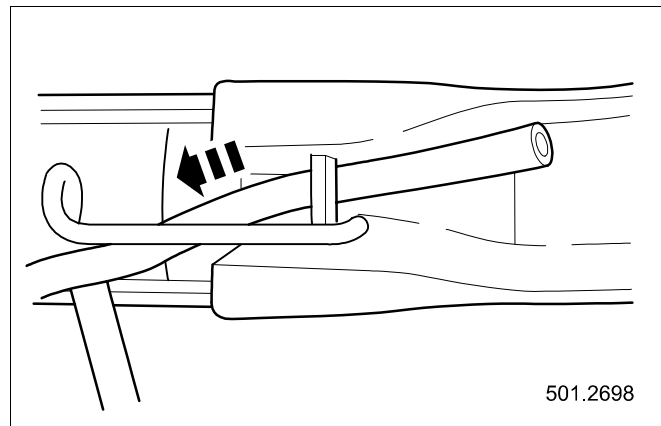


Illustration 3

4. Slide the spring to the opposite end of the mounting pin. See Illustration 4.

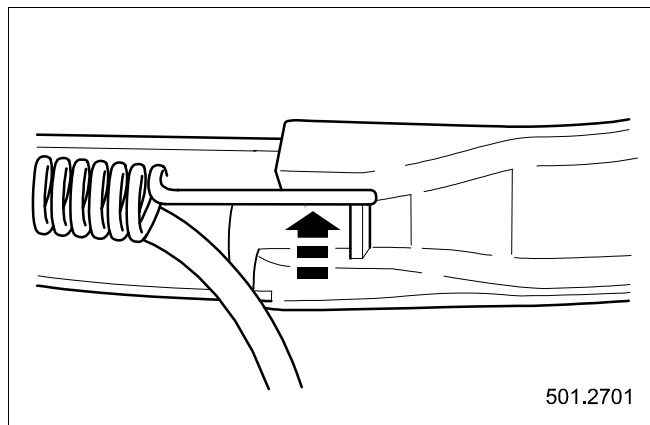


Illustration 4

5. Re-route the washer hose under the spring mounting pin. See Illustration 5.

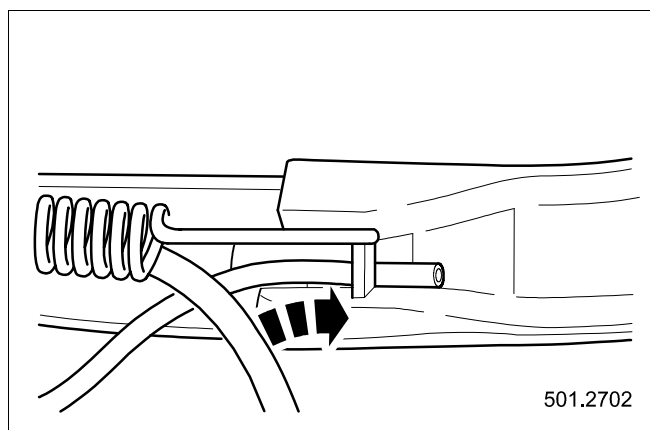


Illustration 5

6. Re-route the washer hose through the hole in the wiper arm casting. See Illustration 6.

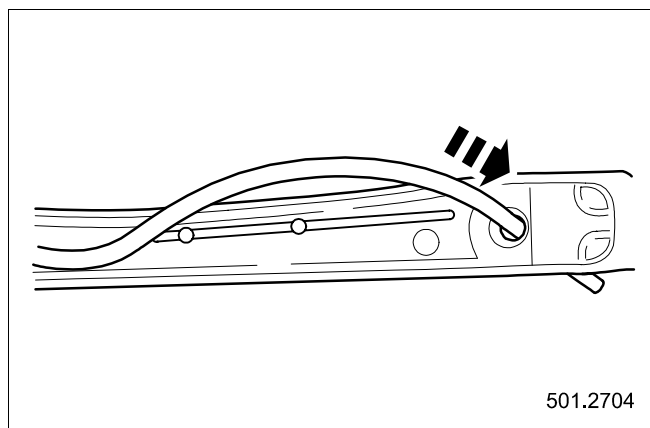


Illustration 6

7. Secure the washer hose into the carrier channel. See Illustration 7.

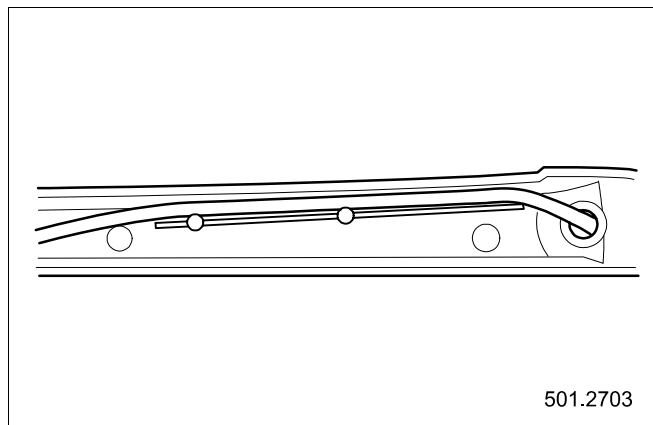


Illustration 7

8. Reinstall the wiper arms, see Workshop Manual, section: 501-16, SRO 84.15.03.

Global Technical Reference (GTR):Dealer Access: <https://hub.franchise.jaguar.com>Internet access: <http://www.jaguartechno.com>**Warranty Information:**

Warranty claims should be submitted quoting program code S163 together with the relevant option code from the table below.

The options that include the drive in/drive out allowance may only be claimed if the vehicle is brought back into the workshop for this action alone to be undertaken.

Model**VIN Range**

2005 MY S-TYPE 3.0L

5FN13089 - 5FN18000

2005 MY S-TYPE 4.2L

5HN13089 - 5HN18000

2005 MY S-TYPE R

51N13089 - 51N18000

Program Code	Option	Description	SRO	Time	Part Number	Part Description	Qty
S163	A	Check routing of washer hose – no further action required	84.91.11	0.2 hrs.	-	-	-
S163	K	Check routing of washer hose – no further action required	84.91.11	0.2 hrs.	-	-	-
		Drive in/Drive out	10.10.10	0.1 hrs.			
S163	B	LHD vehicles - check routing and reroute washer hose	84.91.11/01	0.2 hrs.	-	-	-
S163	C	LHD vehicles - check routing and reroute washer hose	84.91.11/01	0.2 hrs.	-	-	-
		Drive in/Drive out	10.10.10	0.1 hrs.			

NOTE: Always perform a DDW claim search first to determine whether this service action has been performed on this vehicle. The "Review Claim History" function will provide a listing of all claims against the vehicle. If this service action number appears in the program code field, do not perform this service action.