



X-TYPE

DATE 01/02
Amended 03/04

XT310-01

SERVICE

TECHNICAL BULLETIN

Vehicle Out Of Fuel –
Range Indicated On Message Center –
Modify Transfer Pipe

MODEL 2002 MY
X-TYPE
VIN C00001-C39700

Remove and destroy Bulletin XT310-01, dated 01/02.
Replace with this Bulletin.
Revisions are marked with a bar and in bold text.

Issue:

Some 2002 MY X-TYPE vehicles within the above VIN range, may experience a customer complaint of running out of fuel while the message center still indicates range available.

Action

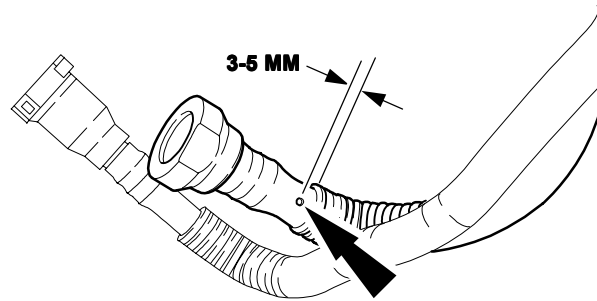
To eliminate this concern, remove the fuel transfer pump module and modify the fuel return transfer pipe. On a customer complaint basis only, follow the workshop procedure outlined below.

WORKSHOP PROCEDURE

1. Remove the fuel transfer pump assembly (see Workshop Manual, JTIS CD ROM section: 310-01, **SRO 19.45.21**).
2. For access, reposition the return transfer pipe away from the fuel tank opening (return transfer pipe has a yellow release latch).

NOTE: THE INFORMATION IN TECHNICAL BULLETINS IS INTENDED FOR USE BY TRAINED, PROFESSIONAL TECHNICIANS WITH THE KNOWLEDGE, TOOLS, AND EQUIPMENT TO DO THE JOB PROPERLY AND SAFELY. IT INFORMS THESE TECHNICIANS OF CONDITIONS THAT MAY OCCUR ON SOME VEHICLES, OR PROVIDES INFORMATION THAT COULD ASSIST IN PROPER VEHICLE SERVICE. THE PROCEDURES SHOULD NOT BE PERFORMED BY "DO-IT-YOURSELFERS." DO NOT ASSUME THAT A CONDITION DESCRIBED AFFECTS YOUR CAR. CONTACT A JAGUAR RETAILER TO DETERMINE WHETHER THE BULLETIN APPLIES TO YOUR VEHICLE.

DRILL HOLE 3-5 MM FROM SHOULDER



J.310.0138

ILLUSTRATION 1

- Using a 2 mm drill bit, by hand, drill a hole 3 mm to 5 mm from the shoulder (convoluted pipe side) in the return transfer pipe and remove any swarf (Illustration 1).
- Install a new transfer pump O-ring seal.

Note: When installing new transfer pump O-ring seal, apply a smear of petroleum jelly to locking nut flange mating face.

- Install fuel transfer pump assembly (see Workshop Manual, JTIS CD ROM section: 310-01, SRO **19.45.21**).

Parts Information:

<u>DESCRIPTION</u>	<u>PART NUMBER</u>	<u>QTY</u>
Fuel transfer pump O-ring seal	C2S 8592	1

Warranty Information:

Warranty claims should be submitted quoting the information found in the table below. This will result in payment of the stated time and, where applicable parts/miscellaneous expense codes as listed.

Description	SRO	Time	Causal Part Number
Fuel tank transfer pipe modification	19.91.57	3.2 hrs.	C2S 8592