

Rattling Defroster Vents –
New Vent Plug –
Repair Procedure

MODEL 2002-04 MY
X-TYPE

VIN C00294-D84594

Issue:

On some 2002-04 MY X-TYPE vehicles within the above VIN range, customers may express concern of the defrost vent(s) rattling or coming loose. A new vent plug is available to address this concern.

Action:

In case of a customer concern of the defrost vent(s) rattling or being out of position at the outer edge only, install a new vent plug. If the concern is with any other part, install a new vent and new vent plug. Follow the workshop procedure outlined below.

WORKSHOP PROCEDURE

Passenger side of vehicle:

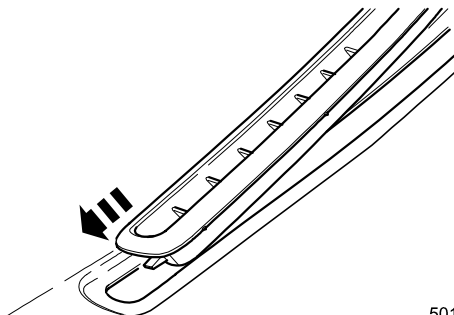
If the outer end of defrost vent (nearest the A-post) is adrift, install a new demister vent plug. If the concern is at any other part continue with the procedure below:

1. Displace and remove defrost vent.

Note: Use a suitable plastic pry tool to displace the rear of the defrost vent from the instrument panel.

2. Install the inner end of the new defrost vent with the new locating feature first (Illustration 1).

INSERT LOCATOR TAB



501.2633

ILLUSTRATION 1

NOTE: THE INFORMATION IN TECHNICAL BULLETINS IS INTENDED FOR USE BY TRAINED, PROFESSIONAL TECHNICIANS WITH THE KNOWLEDGE, TOOLS, AND EQUIPMENT TO DO THE JOB PROPERLY AND SAFELY. IT INFORMS THESE TECHNICIANS OF CONDITIONS THAT MAY OCCUR ON SOME VEHICLES, OR PROVIDES INFORMATION THAT COULD ASSIST IN PROPER VEHICLE SERVICE. THE PROCEDURES SHOULD NOT BE PERFORMED BY "DO-IT-YOURSELFERS." DO NOT ASSUME THAT A CONDITION DESCRIBED AFFECTS YOUR CAR. CONTACT A JAGUAR RETAILER TO DETERMINE WHETHER THE BULLETIN APPLIES TO YOUR VEHICLE.

3. Locate the front edge of the defrost vent under instrument panel material, making sure the small triangular projections along the front edge of the defrost vent are located (Illustration 2).

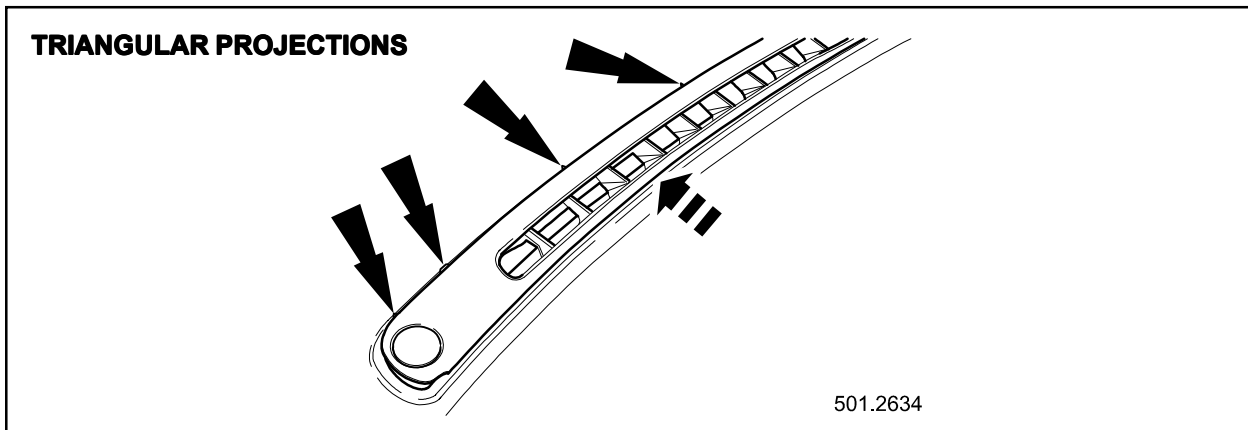


ILLUSTRATION 2

4. A suitable tool should be used to clip the rear edge of the defrost vent down working along the vent towards the A-post (Illustration 3).

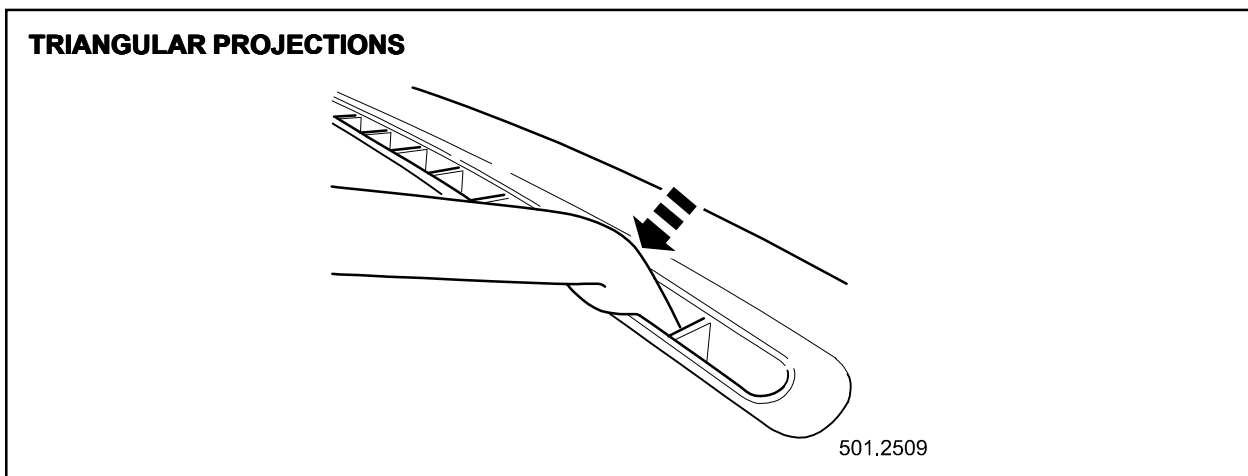


ILLUSTRATION 3

5. Install a new defrost vent plug (Illustration 4).

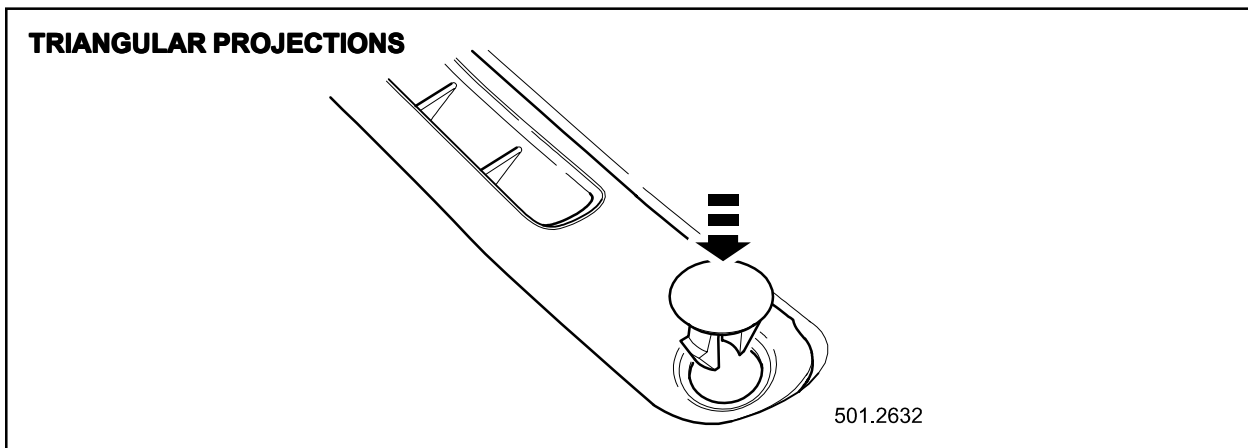


ILLUSTRATION 4

Driver's side of vehicle; vehicles without a sunload sensor:

6. Carry out appropriate workshop procedure from step 1 to 5.

Driver's side of vehicle; vehicles with a sunload sensor:

7. Displace and remove driver's stowage compartment.
8. Reposition the steering wheel to the fully extended and lowest position.
9. Remove and discard sunload sensor (see Workshop Manual, JTIS CD ROM, section: 412-04).

Note: Removal of the sunload sensor does not reduce the functionality of the air conditioning or climate control systems. The vehicle is now in line with current X-TYPE production vehicles.

10. Reposition sunload sensor electrical connector to electrical harness.

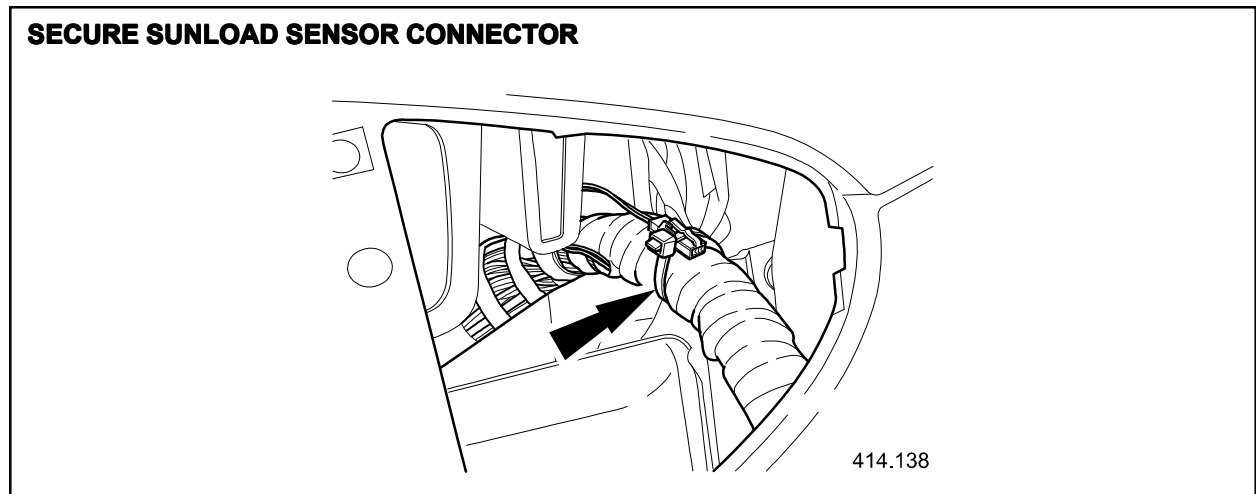


ILLUSTRATION 5

11. Secure sunload sensor connector to the electrical harness using a ratchet tie strap. Cut and remove protruding tail from ratchet tie strap. (Illustration 5).
12. Install trim components removed when gaining access to sunload sensor.
13. Continue with appropriate workshop procedure from step 1 to 6.
14. Reposition the steering wheel to the original position.
15. Install the driver's stowage compartment.

Parts Information:

DESCRIPTION	PART NUMBER	QTY
Defrost vent plug - Sable	C2S 36958 AEK	1 per side
Defrost vent plug - Warm Charcoal	C2S 36958 LEG	1 per side
Defrost vent plug - Granite	C2S 36958 LGP	1 per side
Defrost vent plug - Mocha	C2S 36958 AMB	1 per side
Defrost vent (right hand) - Sable	C2S 36957 AEK	1
Defrost vent (right hand) - Warm Charcoal	C2S 36957 LEG	1
Defrost vent (right hand) - Granite	C2S 36957 LGP	1
Defrost vent (right hand) - Mocha	C2S 36957 AMB	1
Defrost vent (left hand) - Sable	C2S 36956 AEK	1
Defrost vent (left hand) - Warm Charcoal	C2S 36956 LEG	1
Defrost vent (left hand) - Granite	C2S 36956 LGP	1
Defrost vent (left hand) - Mocha	C2S 36956 AMB	1

Warranty Information:

Warranty claims should be submitted quoting the information found in the table below. This will result in payment of the stated time and, where applicable parts/miscellaneous expense codes as listed.

Description	SRO	Time	Causal Part Number
Install new defrost vent plug passenger side	76.94.44	0.2 hrs.	C2S 36958
Install new defrost vent plug driver's side vehicle without sunload sensor	76.94.44	0.2 hrs.	C2S 36958
Install new defrost vent plug driver's side vehicle with sunload sensor	76.94.44/-02	0.4 hrs.	C2S 36958
Install new defrost vent and new plug passenger side	76.94.44	0.2 hrs.	C2S 36956
Install new defrost vent and new plug driver's side vehicle without sunload sensor	76.94.44	0.2 hrs.	C2S 36956
Install new defrost vent and new plug driver's side vehicle with sunload sensor	76.94.44/-02	0.4 hrs.	C2S 36956
Install new defrost vent and plug both sides vehicle without sunload sensor	76.94.44/-01	0.2 hrs.	C2S 36956
Install new defrost vent and plug both sides vehicle with sunload sensor	76.94.44/-03	0.5 hrs.	C2S 36956