

Poor Sound Quality For Incoming Caller –
 “Running Water” Sound –
 Install New Telephone Microphone

MODEL 2002 MY-ON
 X-TYPE
 VIN C00001-ON

Issue:

On some X-TYPE vehicles, customers may complain that during a telephone conversation, the incoming caller to the vehicle can hear a “running water” sound.

Action:

To eliminate the issue outlined in the summary a new telephone microphone is to be installed. On a customer complaint basis only, follow the workshop procedure outlined below.

Workshop Procedure

1. Open door.
2. Open hood and install fender protectors.
3. Remove battery cover.
4. Disconnect battery (see Workshop Manual, JTIS CD ROM, section: 414-01).

Note: Ensure the radio code is available before disconnecting the battery.

5. Move driver’s side sun visor to a forward position.
6. Apply masking tape to driver’s side of headlining (Illustration 1).

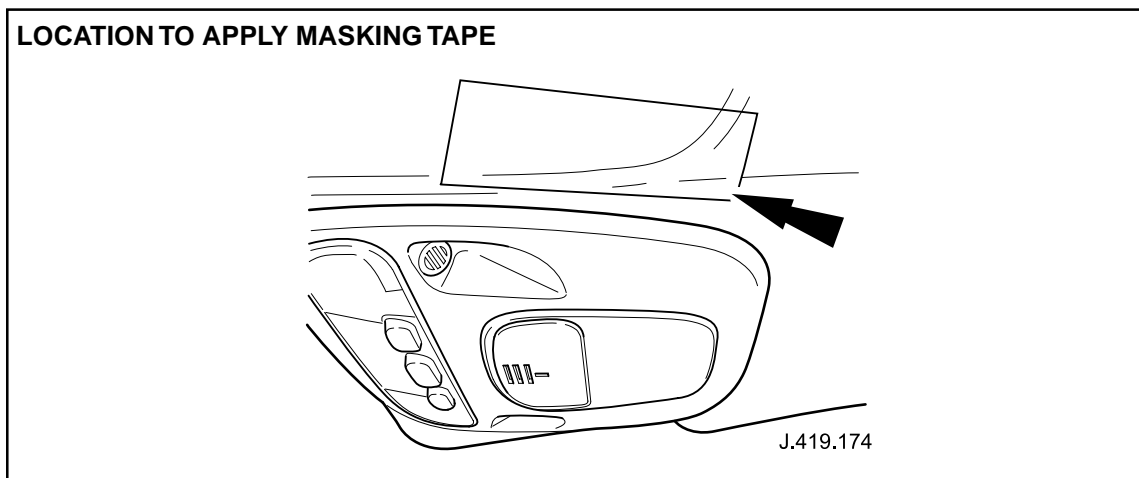


ILLUSTRATION 1

DIMENSIONS FOR LOCATION OF HOLE

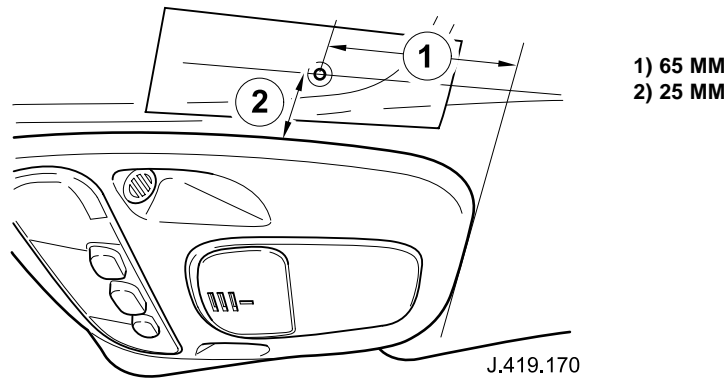


ILLUSTRATION 2

7. Measure and mark point 65 mm forward of overhead console rear edge (see 1 Illustration 2) and measure and mark point 25 mm from driver's side edge of overhead console (see 2 Illustration 2).
8. Remove overhead console (see Workshop Manual, JTIS CD ROM: section 501-12, SRO 76.13.69).
9. Pierce hole (approximately 6 mm diameter) at marked point through headlining.
10. Remove masking tape.
11. Feed electrical connector of new microphone through hole in headlining.

SECURING MICROPHONE BASE PLATE

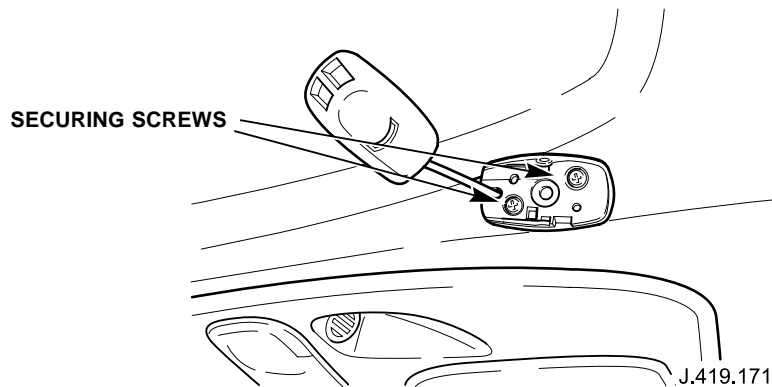


ILLUSTRATION 3

12. Position the new microphone base plate on the headlining so that the cable entry slot is facing forward and the cable and hole in the headlining are covered. Install and tighten base plate securing screws (Illustration 3).

Note: Ensure cable entry slot is facing forward and base plate is positioned to cover cable and hole in headlining.

MICROPHONE CLIPPED TO BASE PLATE

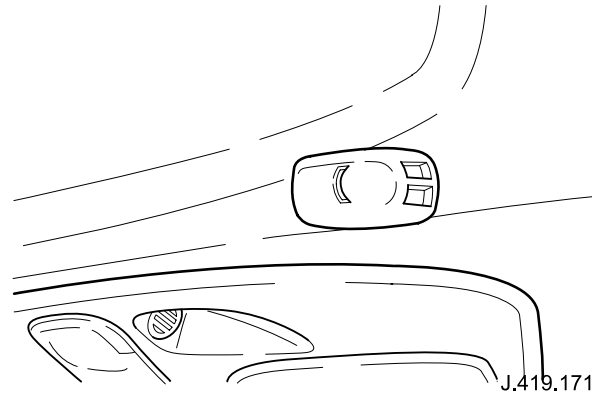


ILLUSTRATION 4

13. Clip new microphone to base plate (Illustration 4).
14. Cut, as close to filter as possible, and discard old microphone electrical connector and fly lead (Illustration 5).

REMOVING OLD CONNECTOR AND FLYLEAD

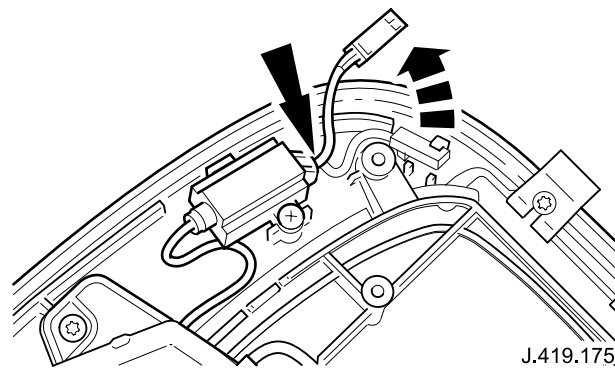


ILLUSTRATION 5

15. Connect new microphone electrical connector to harness connector.
16. Install overhead console (see Workshop Manual, JTIS CD ROM: section 501-12).
17. Connect battery (see Workshop Manual, JTIS CD ROM, section: 414-01).
18. Install battery cover.
19. Remove fender protectors and close hood.
20. Close door.

Parts Information:

<u>DESCRIPTION</u>	<u>PART NUMBER</u>	<u>QTY</u>
Telephone microphone (oatmeal)	C2S 27329 AGD	1
Telephone microphone (nimbus grey)	C2S 27329 LFJ	1

Warranty Information:

Warranty claims should be submitted quoting the information found in the table below. This will result in payment of the stated time and, where applicable parts/miscellaneous expense codes as listed.

Description	SRO	Time	Causal Part Number	Causal Part Description
Install telephone microphone	86.93.11	0.2 hrs.	C2S 27329	telephone microphone