

Trim Loose/Adrift –
Rear Quarter Window Glass –
Repair Procedure

MODEL 2002 MY-ON
X-TYPE

VIN C00001-ON

Issue:

Some X-TYPE vehicles may exhibit issues with the rear quarter window glass trim coming loose. This bulletin provides a repair procedure.

Action:

Should a customer express concern, install a new glass trim and replace the acrylic tape with pumpable adhesive. Follow the Service Instruction outlined below.

SERVICE INSTRUCTION

1. Apply suitable masking tape around the rear quarter window glass to protect the paintwork (Illustration 1).

MASKING TO PROTECT PAINT

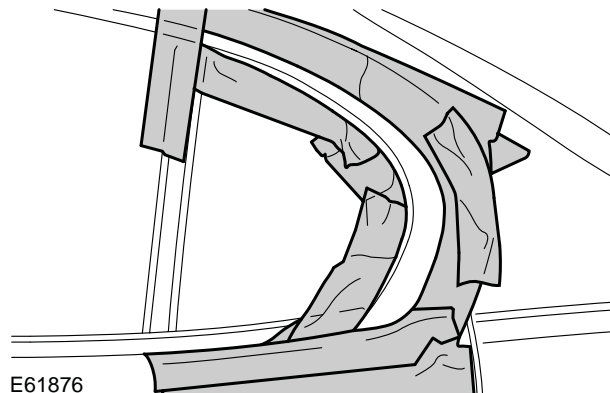


ILLUSTRATION 1

NOTE: THE INFORMATION IN TECHNICAL BULLETINS IS INTENDED FOR USE BY TRAINED, PROFESSIONAL TECHNICIANS WITH THE KNOWLEDGE, TOOLS, AND EQUIPMENT TO DO THE JOB PROPERLY AND SAFELY. IT INFORMS THESE TECHNICIANS OF CONDITIONS THAT MAY OCCUR ON SOME VEHICLES, OR PROVIDES INFORMATION THAT COULD ASSIST IN PROPER VEHICLE SERVICE. THE PROCEDURES SHOULD NOT BE PERFORMED BY "DO-IT-YOURSELFERS." DO NOT ASSUME THAT A CONDITION DESCRIBED AFFECTS YOUR CAR. CONTACT A JAGUAR DEALER TO DETERMINE WHETHER THE BULLETIN APPLIES TO YOUR VEHICLE.

2. Remove and discard the rear quarter window glass trim.
3. Use Loctite 7063 and a suitable lint-free cloth to clean the body mating face for the rear quarter window glass trim ensuring the acrylic tape stays in position.
4. Use suitable pliers to remove the 'tabs' from the new rear quarter window glass trim (Illustration 2).

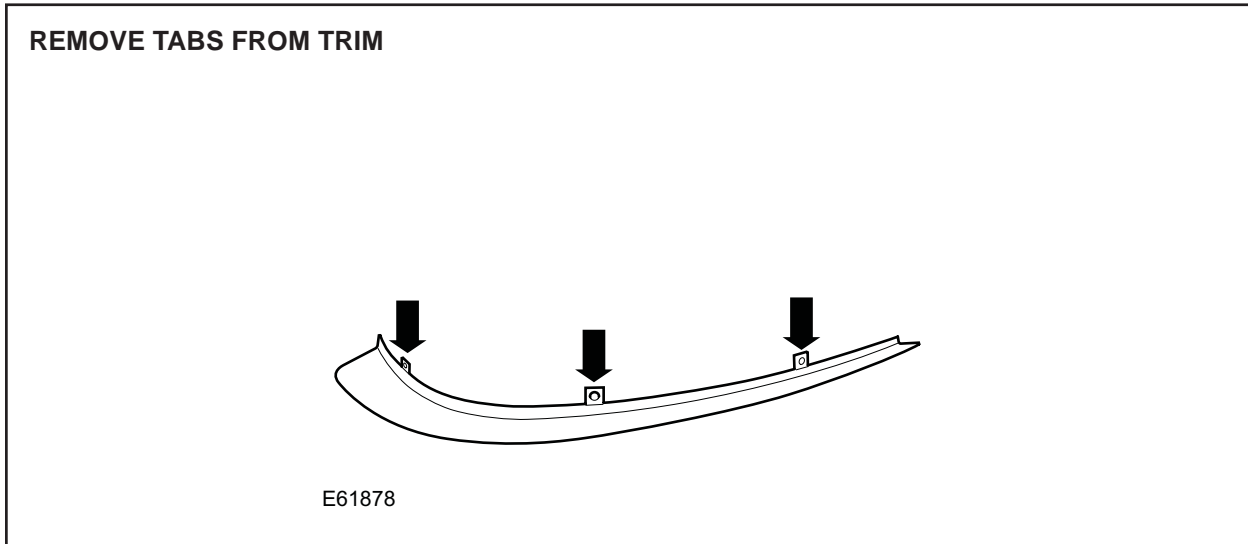


ILLUSTRATION 2

5. Use Loctite 7063 and a suitable lint-free cloth to clean the mating face of the new rear quarter window glass trim.

⚠ Caution: Loctite 7253 applied to the new rear quarter window glass trim mating face must be allowed to 'cure' for five minutes prior to installation, and must be installed within one hour of application.

6. Using the swab supplied in the adhesive kit, apply Loctite 7253 to the new rear quarter window glass trim mating face.

Note: Cut the nozzle supplied to give a bead of adhesive, of triangular section, having a base of 5 mm and a height of 8 mm.

Note: To ease application of the Terostat 8599, the cartridge can be placed in hot water for fifteen minutes prior to opening.

7. Install the nozzle on the Terostat 8599 cartridge, apply the Terostat 8599 adhesive to the rear quarter window glass trim body mating face acrylic tape (Illustration 3).

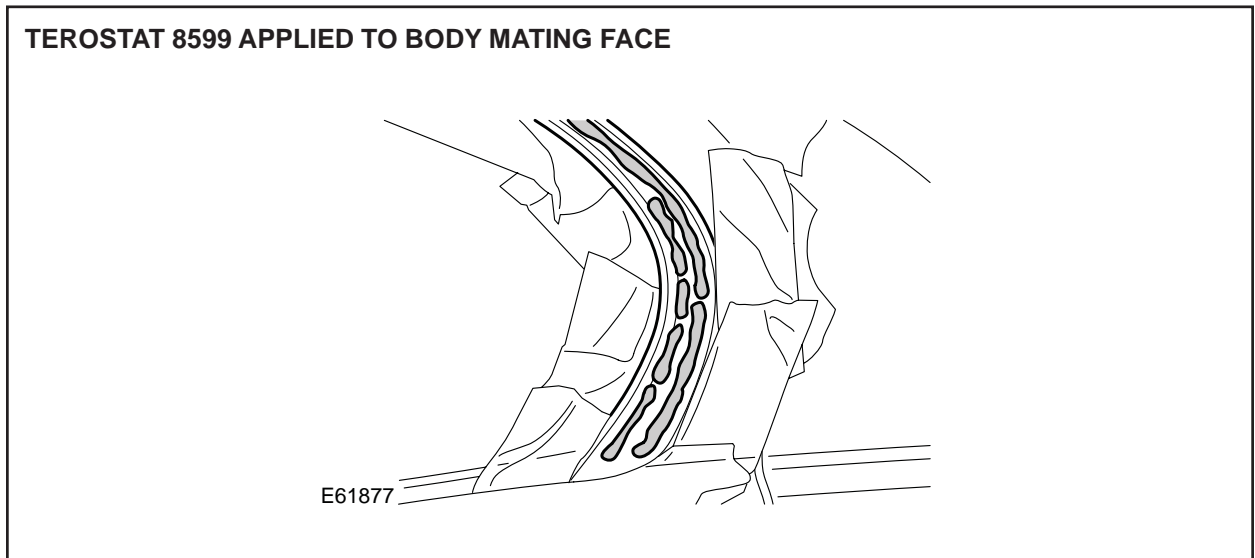


ILLUSTRATION 3

8. Install and fully seat the new rear quarter window glass trim, and remove any excess adhesive.
9. Using suitable masking tape, secure the new rear quarter window glass trim in position, Illustration 4 (allow to 'cure' for sixty minutes).

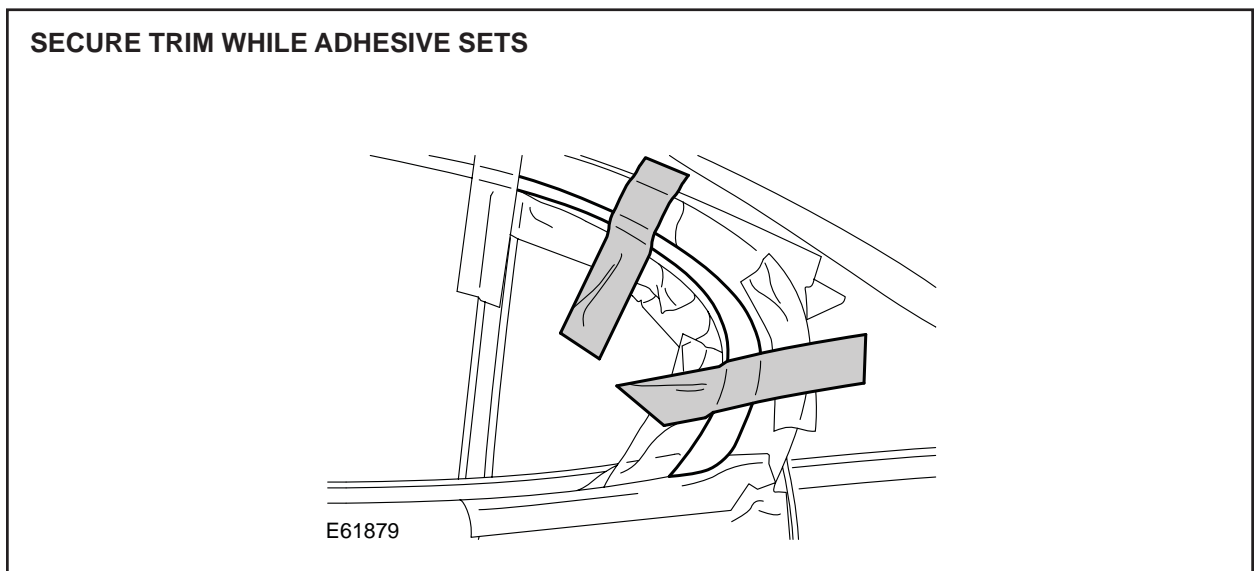


ILLUSTRATION 4

10. Remove all the masking tape, and clean area with Loctite 7063, using a lint free cloth.
11. Leave the vehicle for two hours to allow the adhesive to 'fully cure'.

Global Technical Reference (GTR) Workshop Manual Information:

Dealer access: <https://hub.franchise.jaguar.com>

Internet access: <http://www.jaguartechno.com>

Parts Information:

<u>DESCRIPTION</u>	<u>PART NUMBER</u>	<u>QTY</u>
Rear quarter window glass trim (high gloss) - Left-hand	C2S 42275	1
Rear quarter window glass trim (low gloss) - Left-hand	C2S 42276	1
Rear quarter window glass trim (chrome) - Left-hand	C2S 42277	1
Rear quarter window glass trim (high gloss) - Right-hand	C2S 42272	1
Rear quarter window glass trim (low gloss) - Right-hand	C2S 42273	1
Rear quarter window glass trim (chrome) - Right-hand	C2S 42274	1
Adhesive kit	C2S 42278	1

Warranty Information:

Warranty claims should be submitted quoting the information found in the table below. This will result in payment of the stated time and, where applicable parts/miscellaneous expense codes as listed.

Description	SRO	Time	Causal Part Number
Rear quarter window glass trim - Renew	76.43.81	0.5 hrs.	Use affected part from Parts Required