

Noisy Front Seat Motor –
Front Seat Track Motor Misaligned –
Repair Procedure

MODEL 2005 MY
X-TYPE
VIN E58711-E65275

Issue:

Some 2005 MY X-TYPE vehicles within the above VIN range may exhibit noise from the seat motor when powering the seat forwards or backwards.

Cause:

Front seat track motor misaligned.

Action:

In case of a verified customer complaint of the above condition on a 2005 MY X-TYPE vehicle within the above VIN range, follow the procedure outlined below.

1. Remove the front seat track motor (see Global Technical Reference GTR Workshop Manual, section: 501-10).

Note: Using the flocked tape supplied in the Squeaks and Rattle Repair Kit (JLM 21204).

2. Apply flocked tape to the seat track bracket 8 cm (A) from the corner until the tape is 1 mm in depth, Illustration 1.

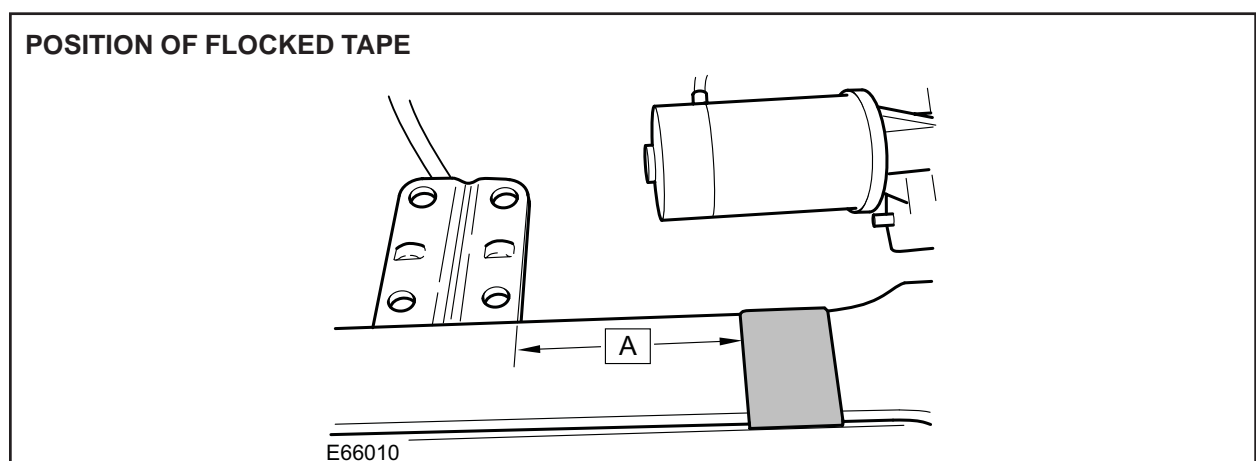


ILLUSTRATION 1

NOTE: THE INFORMATION IN TECHNICAL BULLETINS IS INTENDED FOR USE BY TRAINED, PROFESSIONAL TECHNICIANS WITH THE KNOWLEDGE, TOOLS, AND EQUIPMENT TO DO THE JOB PROPERLY AND SAFELY. IT INFORMS THESE TECHNICIANS OF CONDITIONS THAT MAY OCCUR ON SOME VEHICLES, OR PROVIDES INFORMATION THAT COULD ASSIST IN PROPER VEHICLE SERVICE. THE PROCEDURES SHOULD NOT BE PERFORMED BY "DO-IT-YOURSELFERS." DO NOT ASSUME THAT A CONDITION DESCRIBED AFFECTS YOUR CAR. CONTACT A JAGUAR DEALER TO DETERMINE WHETHER THE BULLETIN APPLIES TO YOUR VEHICLE.

3. Install the front seat track motor (see Global Technical Reference GTR Workshop Manual, section: 501-10).

Global Technical Reference (GTR) Workshop Manual Information:

Dealer access: <https://hub.franchise.jaguar.com>

Internet access: <http://www.jaguartechno.com>

Parts Information:

<u>DESCRIPTION</u>	<u>PART NUMBER</u>	<u>QTY</u>
n/a	-	-

Warranty Information:

Warranty claims should be submitted quoting the information found in the table below. This will result in payment of the stated time and, where applicable parts/miscellaneous expense codes as listed.

Description	SRO	Time	Causal Part Number
Seat track motor - Service fix	86.93.59	0.5 hrs.	C2S 28858 (memory) C2S 16721 (non-memory)

Note: Repair procedures are under constant review, and therefore times are subject to change; those quoted here must be taken as guidance only. Always refer to DDW to obtain the latest repair time.

