

TECHNICAL BULLETIN



Upper Chain Guide Bolts – Apply Locking Compound

12-64

MODEL 1988-94 MY Sedan (3.6 L & 4.0L) DATE 3/98
1993-94 XJS (4.0L)

ISSUE:

Upper chain guide bolts on AJ6 engines should be checked whenever any service is performed on the cylinder head such as replacing the cam cover gasket.

ACTION:

When performing cylinder head repairs on vehicles within the above VIN range, apply locking compound (Loctite 243) to the bolts securing the timing chain upper guide. Torque the bolts to 23-27 Nm (17-20 lb ft). Mark the head of each bolt with one punch mark using an automatic center punch.

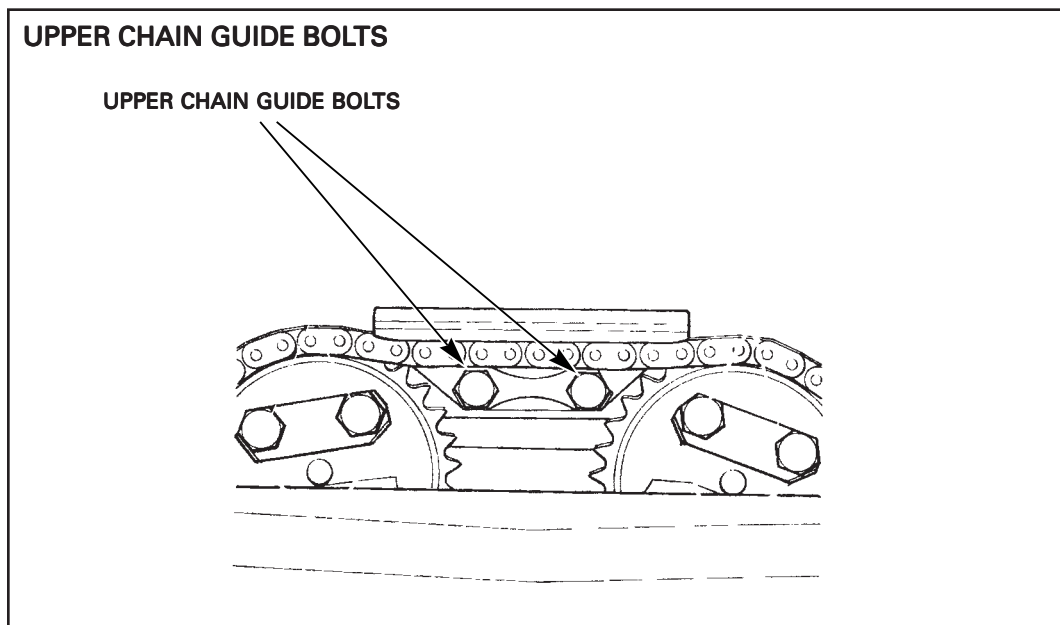


ILLUSTRATION 1

PARTS INFORMATION:

DESCRIPTION

Loctite 243 locking compound

PART NUMBER

obtain locally

WARRANTY INFORMATION:

The above is included in cylinder head repair operations.