

TECHNICAL BULLETIN



Intermittent Power Loss – Tach Drops to Zero – Reposition Ignition Amplifier – Service Action S 439

18-41

MODEL XJS V12 Range 1994 MY

DATE 7/94

From: VIN 188105
To: VIN 194706

ISSUE:

Symptoms of intermittent power loss or engine misfire, with the tachometer needle dropping to zero, may be caused by the under hood liner coming into contact with the “A” bank (right) ignition amplifier connector housing. This may cause damage to the right side primary catalytic converter. To prevent this contact from occurring, the ignition amplifier was repositioned at VIN 194707.

ACTION:

Modify the ignition amplifier base plate and reposition the right side ignition amplifier on all vehicles within the following VIN range at the next service opportunity.

VIN 188105 to VIN 194706.

1. Disconnect the “A” bank (right) ignition amplifier harness connector and remove the two amplifier base plate nuts (Illustration 1).

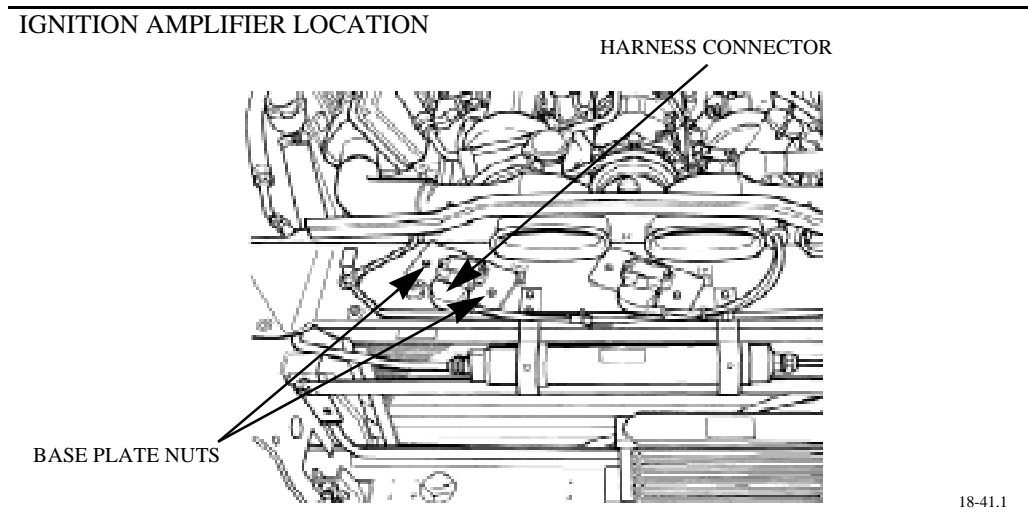


ILLUSTRATION 1

2. Remove the amplifier assembly and carefully tape its connector housing with masking tape to prevent drill chips from entering.

- On the amplifier base plate, mark the position of the two new holes. Drill two 15/64" (6 mm) holes as shown in Illustration 2.

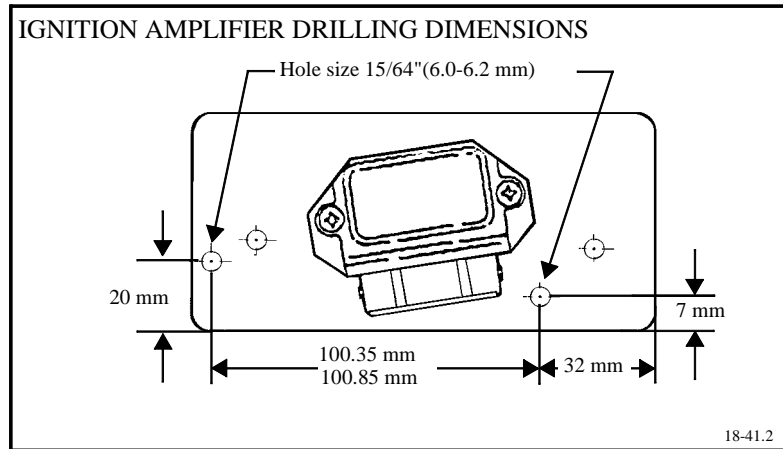


ILLUSTRATION 2

- Deburr the drilled holes. Use compressed air to clean drill chips from the amplifier and base plate.
- Remove the masking tape and inspect the inside of the connector housing to be sure it is clean.
- Reinstall the amplifier assembly using the new mounting holes.

WARRANTY INFORMATION:

SERVICE ACTION: S 439

Action:	Reposition ignition amplifier	
Summary Code:	BQ	
Reimbursement:	Labor:	0.20 hrs.
	Parts:	None

Action:	Reposition ignition amplifier - Renew right side catalytic convertor	
Summary Code:	BR	
Reimbursement:	Labor:	1.25 hrs.
	Parts:	NHC 67700AA