

# TECHNICAL BULLETIN



## Steering – Lower Column – Excessive Play/Knocking – Repair Procedure – Service Action S398

**57-18**

**MODEL Sedan Range 1993 MY**

**DATE 10/94**

**From: VIN 669506**

**To: VIN 669989**

### ISSUE:

1993 MY Sedan Range vehicles from VIN 669506 to 669989 may have excessive steering wheel play. The excessive play may be accompanied by a knock when the wheel is turned.

These symptoms are caused by a lower steering column with insufficient dampening that was fitted on some vehicles within the VIN range.

### ACTION:

Examine all 1993 MY Sedan Range vehicles at the next service opportunity to see if they are part of this action. If the vehicle's VIN appears on the S398 SERVICE ACTION VIN LIST (page 4), a new lower steering column (P/N BEC 14009) must be installed.

### Procedure:

1. Disarm the SRS (airbag). Refer to Service Manual section 57.60.01.
2. Center the steering and remove the ignition key.
3. Remove the pinch bolt and nut clamping the upper steering column universal joint to the lower column (Illustration 1).
4. Remove the pinch bolt and nut clamping the lower steering column universal joint to the steering rack pinion (Illustration 1).

**IMPORTANT:** Mark the position of the lower column universal joint on the steering rack pinion.

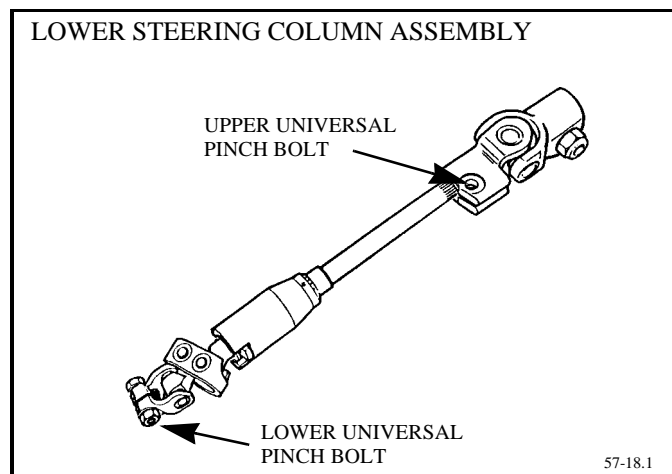


ILLUSTRATION 1

5. Remove the lower column. Remove the bulkhead grommet, and inside the vehicle, recover the spring and steering column collar.

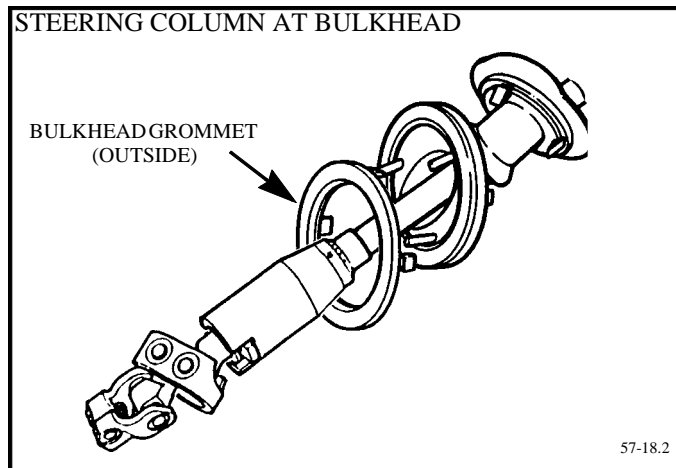


ILLUSTRATION 2

6. Fit the bulkhead grommet to the new lower column. Slide the new column through the bulkhead.
7. Install the lower steering column universal joint on the steering rack pinion and torque the pinch bolt and nut to 14 – 17 lb ft (19 – 24 Nm).

**IMPORTANT:** The lower universal joint must align to the bolt hole in the steering rack pinion.

8. Wedge the universal joint to keep it from closing.
9. Inside the vehicle, fit the spring and steering column collar to the lower column.
10. Remove the upper steering column bearing bolts.

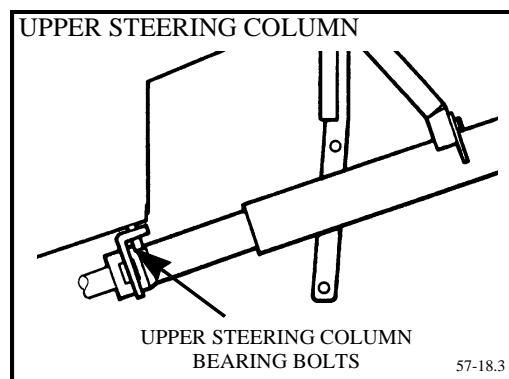


ILLUSTRATION 3

11. Connect and fully seat the upper steering column universal joint. Refit but do not fully tighten the pinch bolt and nut.
12. Reposition the upper steering column bearing and fully tighten the bolts.

13. Check the position of the lower column and upper universal joint. Torque the upper universal joint pinch bolt and nut to 14 – 21 lb ft (24 – 30 Nm).
14. Slide the upper universal joint cover down into position.
15. Install the bulkhead grommet.

**WARNING:** Remove the wedge fitted to the lower column universal joint.

16. Arm the SRS (airbag).

**PARTS INFORMATION:**

<u>PART NUMBER</u>	<u>DESCRIPTION</u>
BEC 14009	Lower steering column

**WARRANTY INFORMATION:**

Service Action S398

<u>VEHICLE</u>	<u>SUMMARY CODE</u>	<u>DESCRIPTION</u>	<u>TIME ALLOWANCE</u>
Sedan Range 1993 MY Model Codes 4064 and 4082 From VIN 669506 to VIN 669989	DT	Lower steering column - Renew	0.30 hrs.

**CLAIM SUBMISSION PROCEDURE:**

A warranty summary code has been assigned to this service action in order to simplify claim submission. The dealership will be reimbursed the labor time allowance and parts as indicated.

**DCS Dealers**

Submit claims using the appropriate summary code for the vehicle model and work performed. Follow standard campaign submission procedures.

**Non-DCS Dealers**

Submit claims on the Recall Campaign Summary form W-25. Enter the appropriate summary code for the vehicle model and work performed in the Repair Code column. Do not use the W-1 warranty claim form.

### S398 SERVICE ACTION VIN LIST

669506	669514	669527	669532	669538
669541	669542	669551	669559	669563
669566	669572	669575	669583	669598
669601	669603	669606	669616	669632
669641	669645	669647	669658	669663
669668	669670	669674	669684	669686
669689	669691	669692	669699	669702
669703	669719	669722	669734	669735
669739	669748	669755	669760	669761
669765	669770	669772	669775	669779
669786	669787	669822	669864	669868
669879	669891	669893	669899	669902
669903	669913	669914	669915	669916
669918	669919	669927	669930	669931
669932	669933	669942	669944	669945
669947	669955	669956	669957	669959
669960	669961	669969	669972	669973
669974	669983	669984	669985	669986
669988	669989			