

TECHNICAL BULLETIN



Front Brake Rattle – Disc Shield – Install New Retaining Screws

70-25

MODEL Sedan Range 1994 - 95 MY
VIN 674930 - 756474

DATE 12/95

ISSUE:

Some 1994 - 95 MY Sedan Range vehicles within the above VIN range may experience a noise from the front brake area.

The noise is caused by loosening of the Torx screws that secure the brake disc shield and the water shield to the stub axle, allowing the shields to vibrate.

New screws are now available to solve this complaint.

ACTION:

In case of a customer complaint remove the hub assembly as described in Section 70.10.18 of the XJ6 - XJ12 Saloon Range Service Manual. Remove and discard the old screws. Install the new screws listed in the Parts Information and torque to 7.4 - 8.8 lb. ft. (10 -12 Nm.)

NOTE: When the hub is removed, the seal must be replaced with a new one using Special Tool JD 179. The seal face that contacts the hub must be coated with a special lubricant (Shell Retinex LC). Thoroughly clean all traces of the previous lubricant from the hub.

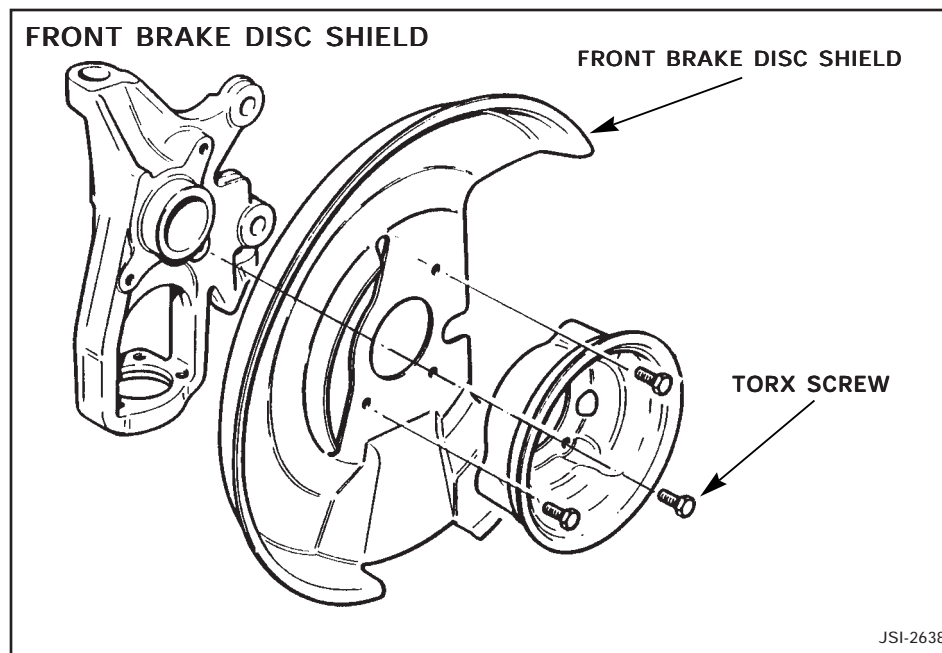


ILLUSTRATION 1

PARTS INFORMATION:

<u>DESCRIPTION</u>	<u>PART NUMBER</u>	<u>QTY</u>
Torx screw	JXB 10610F/P	6
Hub seal	CBC 2858	2

WARRANTY INFORMATION:

<u>FAULT CODE</u>	<u>R.O. NUMBER</u>	<u>DESCRIPTION</u>	<u>TIME ALLOWANCE</u>
GH FC HR	60.91.10	Install replacement screws	1.70 hrs.
	10.10.10	Drive in/out	0.15 hrs.