

# TECHNICAL BULLETIN



## Revised Underscuttle – Revised Mounting Method – Installation Instructions

76-108

MODEL Sedan Range 1990 - 1992 MY

DATE 7/95

### ISSUE:

Replacement underscuttle panels have only 3 "fir tree" fasteners and do not fit directly in place of the previous panel with 5 "fir tree" fasteners.

### ACTION:

To install the revised replacement part in place of the original design, proceed as follows:

1. After removing screws, use dash liner tool # JD 188 to remove the underscuttle from the vehicle.
2. Remove the reinforcement panel.
3. Remove and discard the two captive nuts indicated in Illustration 1.

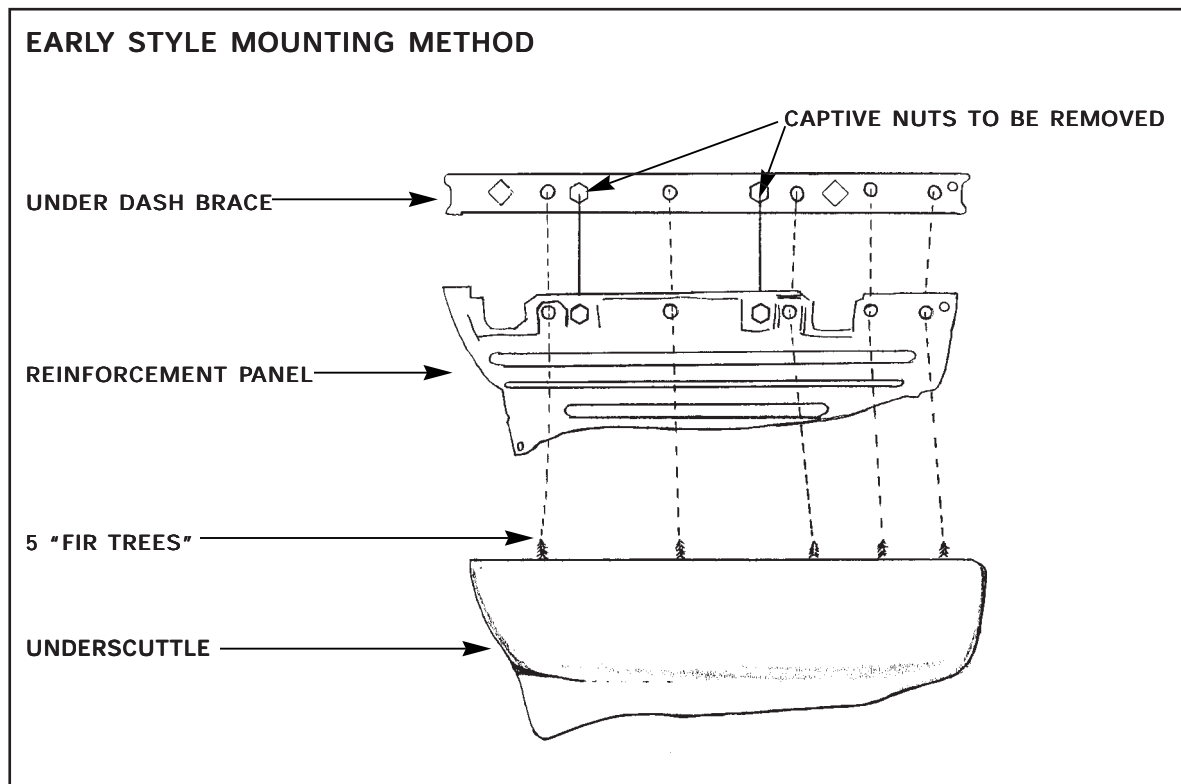


ILLUSTRATION 1

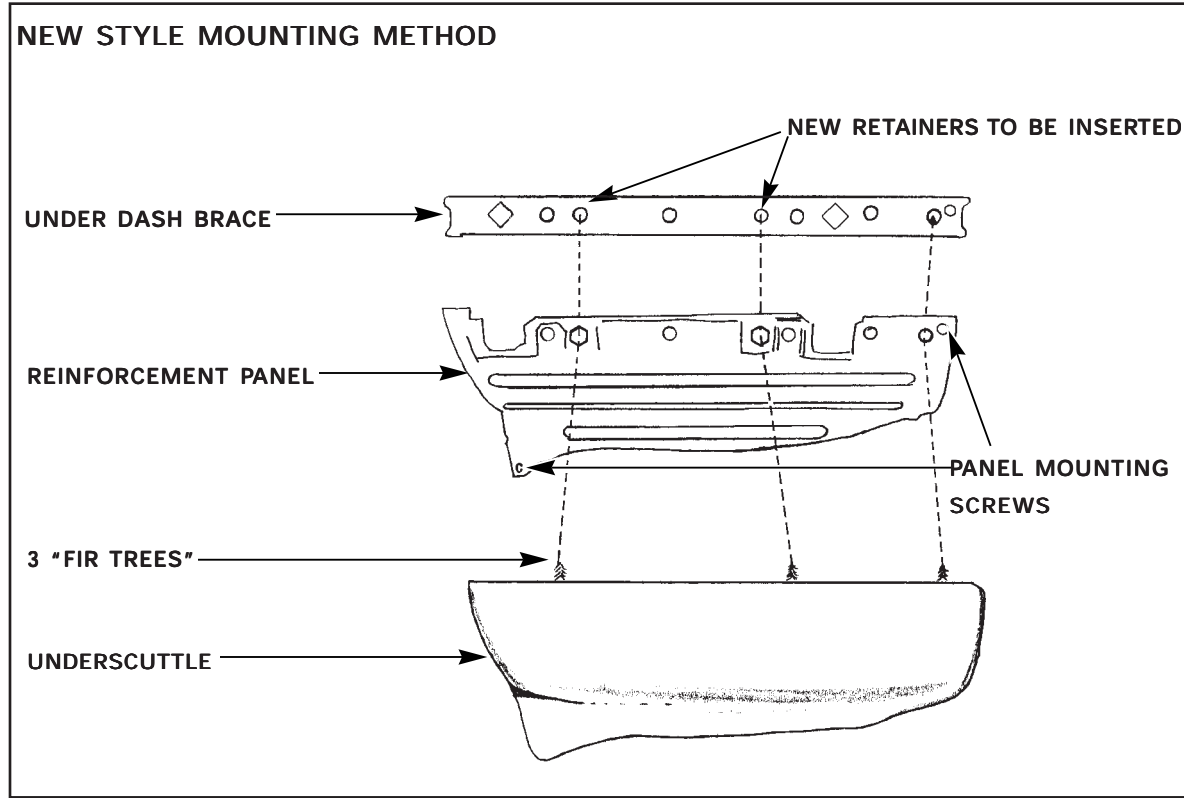


ILLUSTRATION 2

4. Insert the two new female fir tree retainers (AGU 2522/J) in place of the two captive nuts on the brace as indicated in Illustration 2. (Replace the third female fir tree retainer, if necessary)
5. Secure the reinforcement panel onto under-dash brace using the remaining screws at the lower left and upper right, Illustration 2.
6. Secure the new underscuttle panel (BEC 23962/\*) to the vehicle.

**PARTS INFORMATION:**

**DESCRIPTION**

Underscuttle  
 Fir tree fastener  
 Stud retainer (female)

**PART NUMBER**

BEC 23962/\*  
 KTP 100002  
 AGU 2522/J