

TECHNICAL BULLETIN



Front Seat Belt Twisting - Install Seat Belt Guides

76-115

MODEL XJS Convertible, 2+2 1994-96 MY DATE 3/96
VIN 188105 - 224735

ISSUE:

Technical Bulletin 76-110 described the installation of revised seat belt assemblies in case of customer complaints of belt shortness and/or twisting of the original seat belts. The longer belt was installed in production starting with VIN 198712. Starting with VIN 224736, a seat belt guide is also installed at the top of the B post, to further resist any tendency of the belt to twist.

The seat belt guide is now available for installation together with the longer seat belts or as a modification to the longer seat belts on vehicles before VIN 224736.

ACTION:

In case of a customer complaint of seat belt twisting, install the seat belt guide as described on the next page. To determine whether the longer seat belt assembly is already installed in the vehicle, check for the differences shown in Illustration 1. If the longer seat belt assemblies also need to be installed, refer to bulletin 76-110 Amended 3/96 for the installation procedure.

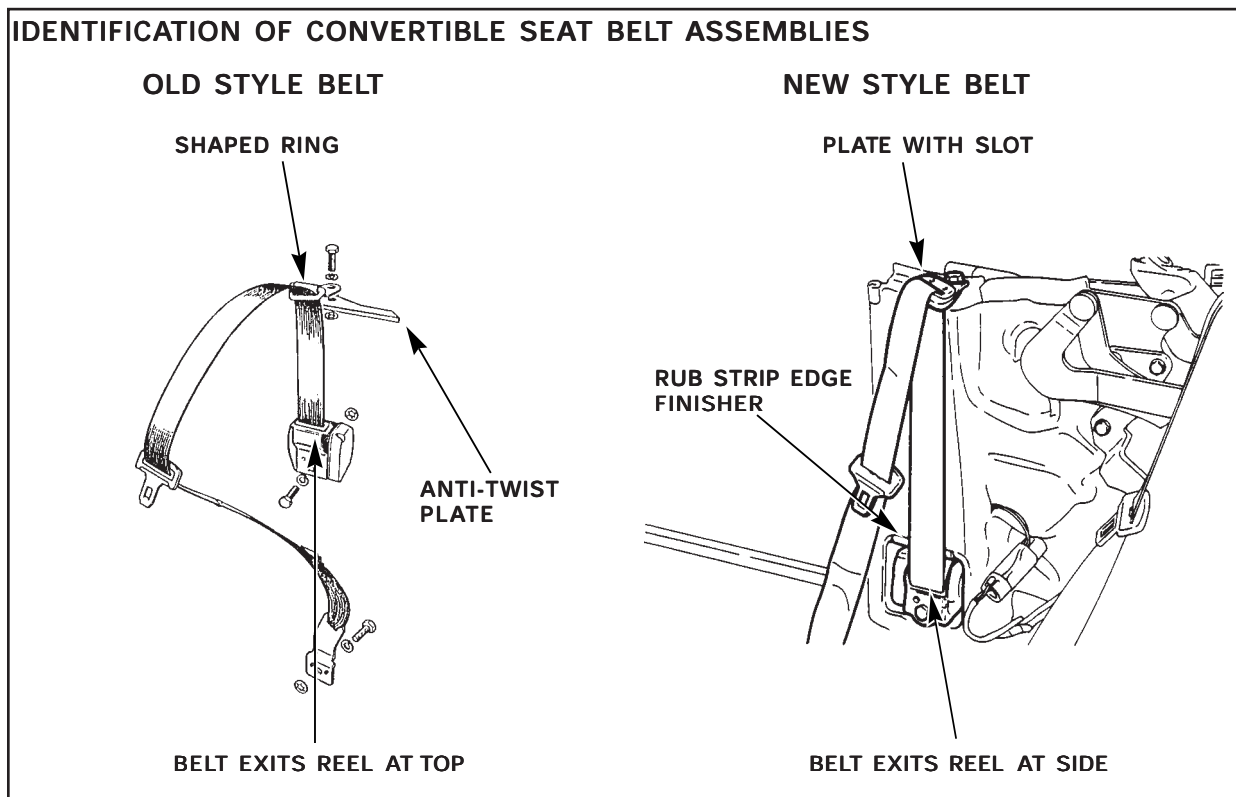


ILLUSTRATION 1

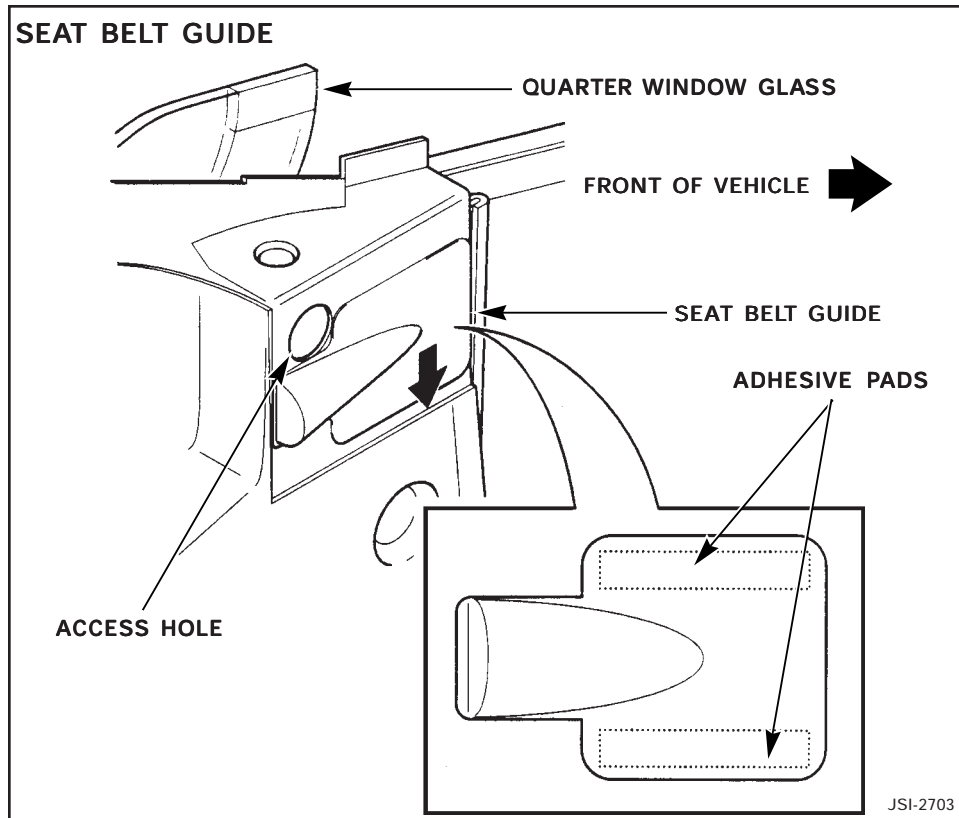


ILLUSTRATION 2

INSTALLING SEAT BELT GUIDES

1. After lowering the convertible top, move the front seats forward to provide access. Switch off the ignition.
2. Remove the screws retaining the rear seat cushion, pull the seat belt buckles through the cushion and then remove the cushion.
3. Remove the screws retaining the rear seat squab and then remove the squab.
4. Carefully remove the sill tread plate to release the quarter trim pad.

CAUTION: The quarter trim pad may be damaged if the sill tread plate is not removed first.

5. Carefully remove the fir tree fastener from the outboard side of the quarter trim using supporting material to protect the trim facing.
6. Loosen the rear quarter trim to allow access to the upper part of the B post.
7. Detach the plastic water deflector from the B post to expose the area where the belt guide will be installed.
8. Clean the area thoroughly to ensure that the guide will adhere to the post.
9. Remove the backing tape from the adhesive pad. Hold the seat belt to one side, align the guide with the access hole in the post (Illustration 2), and press the guide firmly into position.

10. Place the water deflector in position and mark where the deflector overlaps the belt guide. Cut away the deflector material as necessary to clear the belt guide (angled arrow, Illustration 2). Press the deflector firmly into position.
11. Reattach the rear quarter trim.
12. Reinstall the sill tread plate.
13. Repeat steps 5 through 13 on the opposite side of the vehicle.
14. Reinstall the rear seat squab with its retaining screws.
15. Push the seat belt buckles through the cushion and reinstall the rear seat cushion with its retaining screws.
16. Return the front seats to their original positions.

PARTS INFORMATION:

<u>DESCRIPTION</u>	<u>PART NUMBER</u>	<u>QTY</u>
Seat Belt Guide	HHF 7155AA	2

WARRANTY INFORMATION:

<u>FAULT CODE</u>	<u>R.O. NUMBER</u>	<u>DESCRIPTION</u>	<u>TIME ALLOWANCE</u>
TG BC VH	76.93.07	Install seat belt guide - driver side	0.55 hrs.
TG HC VH	76.93.07	Install seat belt guide - passenger side	0.55 hrs.
TG BC VH	76.92.82	Install long seat belts & seat belt guides driver side	0.55 hrs.
TG HC VH	76.92.82	Install long seat belts & seat belt guides passenger side	0.55 hrs.
	10.10.10	Drive in/drive out	0.15 hrs.