

TECHNICAL BULLETIN



Seat Track Assembly – Repair/Replace Guidelines

76-129

MODEL 1993-94 MY Sedan Range

DATE 9/99

ISSUE:

The entire seat track assembly (Illustration 1) on the above vehicles does not need to be replaced when the fore/aft motors or cushion tilt motor, gearbox, or potentiometer is inoperative. These motors/gearboxes/potentiometers are available separately from the seat track assembly. This bulletin describes under what conditions replacing the seat track assembly is not justified.

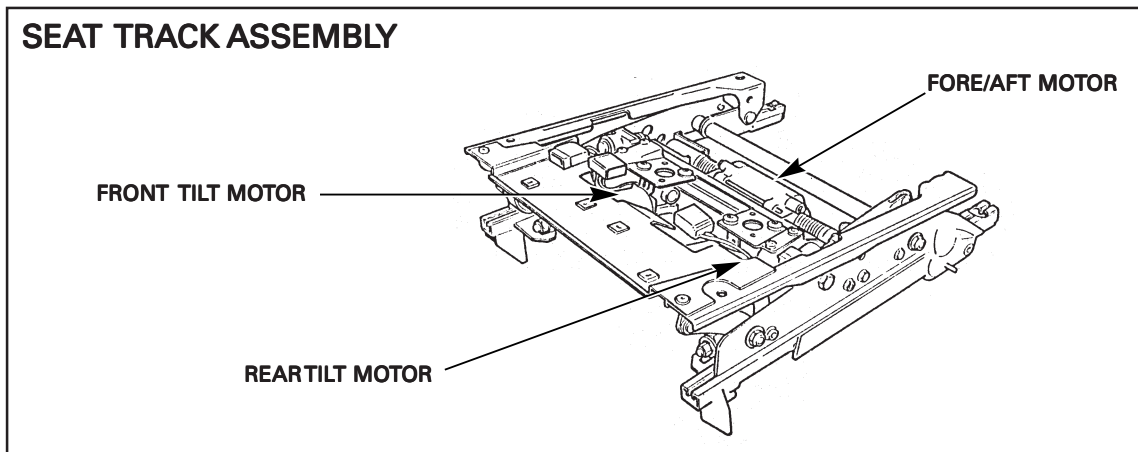


ILLUSTRATION 1

ACTION:

Do **not** replace the complete seat track assembly under following conditions:

- the cushion tilt motor is damaged.
- the potentiometer for the cushion tilt motor is damaged.
- the transmission of the cushion tilt motor is damaged.
- the fore/aft motor is damaged.
- the potentiometer for the fore/aft motor is damaged.
- the transmission shafts for the fore/aft motor are stripped.

Refer to Volume 4, Section 86, pages 86-77 to 86-88 of the XJ6-XJ12 Saloon Range Service Manual for the procedures to replace the motors and/or potentiometers. Since the cushion tilt motors come as an assembly with the gearboxes and potentiometers, (Illustration 2) the relationship between the linkage and the potentiometer is already set.

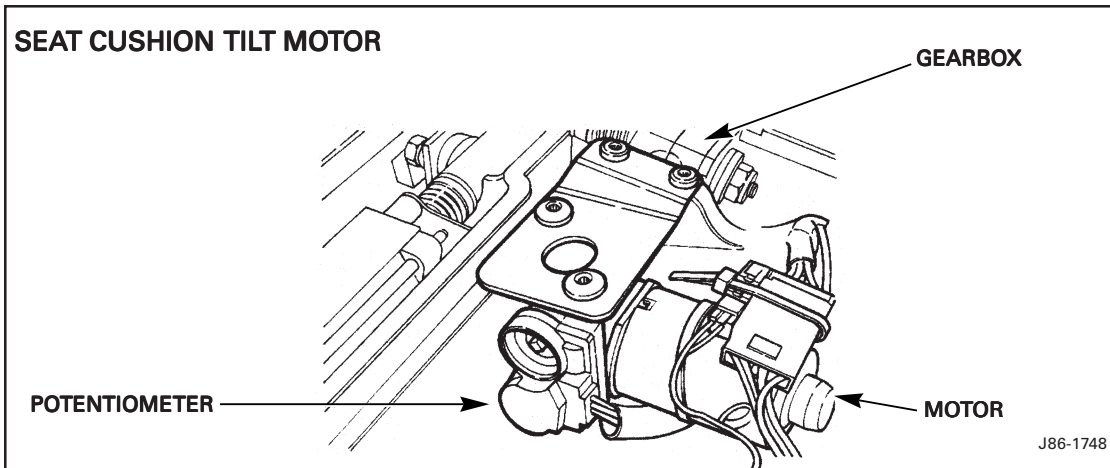


ILLUSTRATION 2

Refer to the XJ6 Sedan Range 1993/94 Electrical Guide or the XJ12 Sedan 1994 Electrical Guide for test values for the potentiometers.

Replace the complete seat track assembly only under following conditions:

- if the track assembly is cracked.
- if the track assembly has a broken weld.
- if the track assembly allows excessive rocking of the seat.

PARTS INFORMATION:

<u>DESCRIPTION</u>	<u>PART NUMBER</u>
Tilt (rise and fall) motor - front of cushion includes gearbox, linkage, and potentiometer	BEC 24321
Tilt (rise and fall) motor - rear of cushion includes gearbox, linkage, and potentiometer	BEC 24323
Fore/aft motor w/potentiometer	JLM 1729
Recline motor w/potentiometer	BEC 17787
Headrest motor w/potentiometer	BEC 7135

WARRANTY INFORMATION/POLICY:

Refer to section SZ of the Warranty Codes and Repair Operations Manual Sedan Range: though 1994 MY.

Claims for replacement seat track assemblies will be rejected if the failed components can be serviced separately.