

# TECHNICAL BULLETIN



## Climate Control – Panel Assembly Vibration / Intermittent Operation – Repair Procedure

MODEL Sedan Range 1988 -91 MY

DATE 4/95

**82-38**  
**Amended**  
**7/95**

Remove and destroy Bulletin 82-38, Date 4/95.  
Replace with this Bulletin.  
Revisions are marked with a bar.

### ISSUE:

Climate control panel vibration on 1991 MY Sedan Range vehicles VIN 629286 - 649175.

Air conditioning intermittent operation on 1988 - 1991 MY Sedan Range vehicles VIN 506664 - 649175.

### ACTION:

For complaints of climate control panel vibration on 1991 MY Sedan Range vehicles within the VIN range listed above, install an anti-vibration screw kit (part number JLM 11238) following the procedure beginning on page 1 of this bulletin. For complaints of intermittent air conditioning operation on 1988 - 1991 Sedan Range vehicles within the VIN range listed above, install a microswitch replacement kit (part number JLM 11240) following the procedure beginning on page 3 of this bulletin.

### CLIMATE CONTROL PANEL ANTI-VIBRATION SCREW KIT INSTALLATION

1. Record all customer preset radio stations (including X-Mem) and disconnect the battery ground cable.

**NOTE:** Make sure the radio security code and all security system transmitters are available.

2. Remove the center console fascia panel assembly.
3. Remove the climate control panel assembly from the fascia panel assembly (Illustration 1).

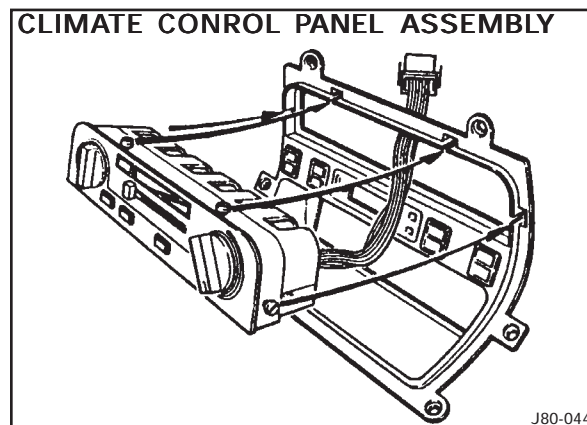


ILLUSTRATION 1

4. Remove the four rear cover retaining screws. One screw is located on each side of the control panel assembly, two screws are located at the top of the assembly (Illustration 2).

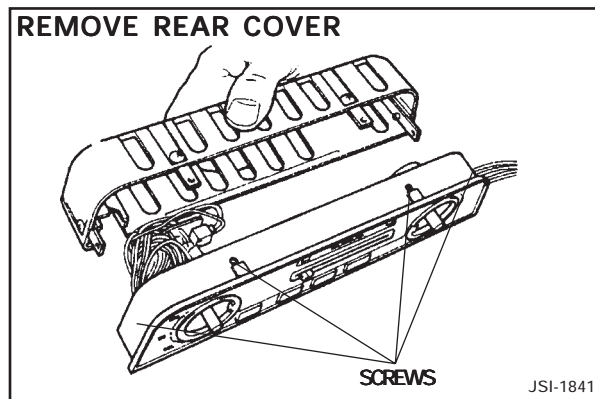


ILLUSTRATION 2

5. Install the two nylon screws from the kit JLM 11238 as shown in Illustration 3.

**CAUTION:** Do not over tighten the nylon screws.

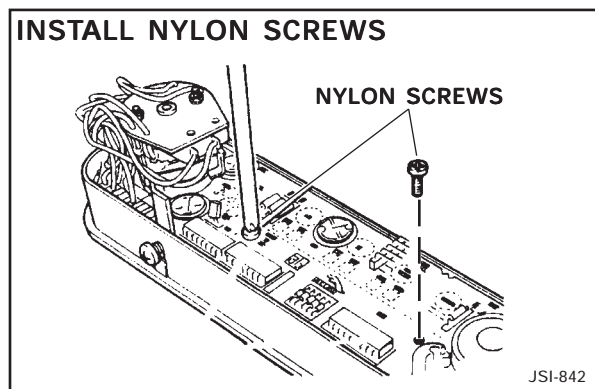


ILLUSTRATION 3

6. Refit the rear cover panel using the original screws.
7. Reassemble and install the center console facia assembly.
8. Connect the battery ground cable and code the radio and security system.
9. Reset the clock and program the preset radio stations.
10. Verify climate control, radio and security system operation.

## AIR CONDITIONING MICROSWITCH REPLACEMENT PROCEDURE

1. Record all customer preset radio stations (including X-Mem) and disconnect the battery ground cable.

**NOTE:** Make sure the radio security code and all security system transmitters are available:

2. Remove the center console fascia panel assembly.
3. Remove the climate control panel assembly from the fascia assembly (Illustration 4).

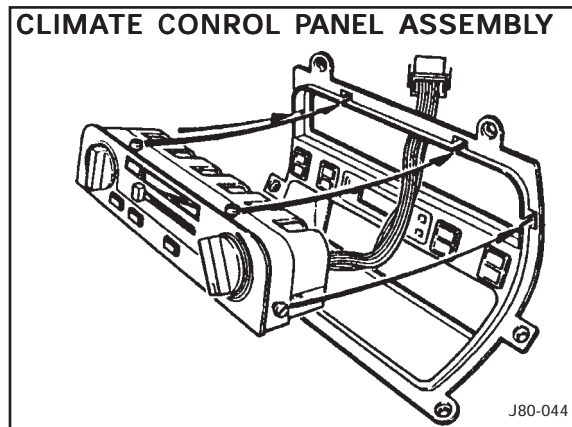


ILLUSTRATION 4

4. Remove the fan speed control knob (Illustration 5).

**CAUTION:** Do not damage the knob during removal.

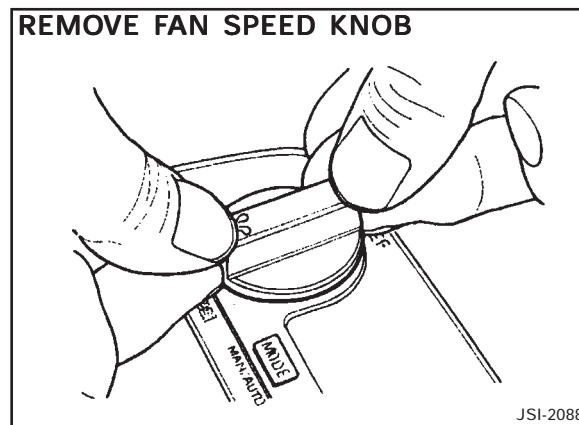


ILLUSTRATION 5

- Remove the four rear cover panel retaining screws. One screw is located on each side of the control panel assembly, two screws are located at the top of the assembly (Illustration 6).

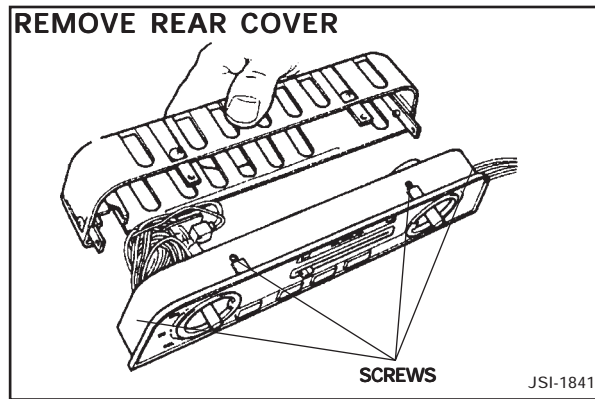


ILLUSTRATION 6

- Using a sharp knife, carefully cut off the heads of the rivets securing the microswitch to the fan speed control switch assembly (Illustration 7).

**NOTE:** Remove all debris from the control panel circuit board and assembly.

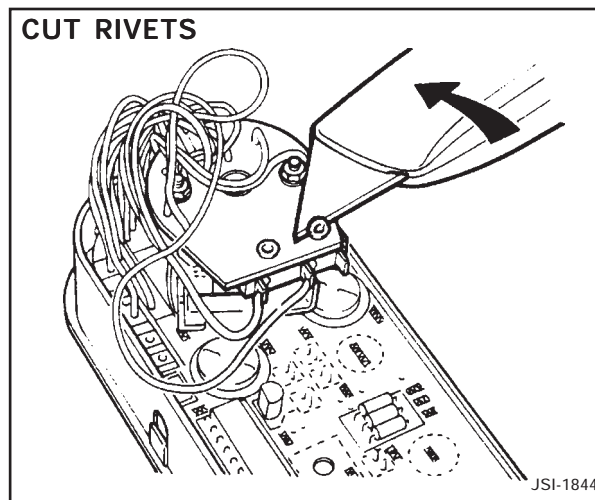


ILLUSTRATION 7

7. Remove the nut and washer securing the fan speed control to the control panel and remove the switch (Illustration 8).

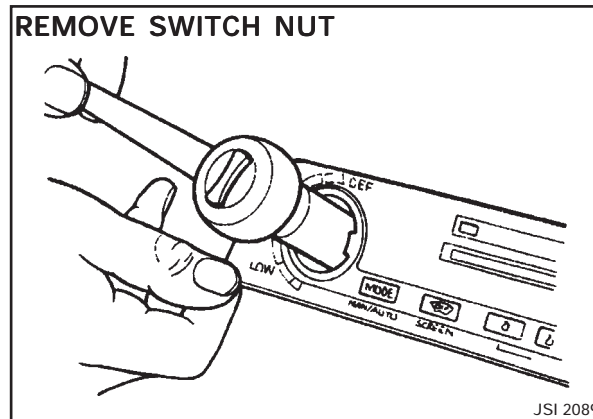


ILLUSTRATION 8

8. With a small flat blade screwdriver, gently pry the microswitch from the fan speed control switch. Remove the remainder of the cut rivets.
9. Position the microswitch away from the circuit board.

**NOTE:** Make a sketch of the microswitch terminals and existing wire connections. Only two terminals have connections.

10. Remove the wires from the microswitch connections by melting the solder. Do not drop solder on the circuit board.
11. Solder the wires to the correct terminals of the new microswitch (from kit number JLM 11240).
12. Refit the microswitch to the fan speed control switch as shown in Illustration 9 using the hardware from the kit.

**NOTE:** The screws and flat washers must be fitted from the microswitch side of the assembly as shown in Illustration 9.

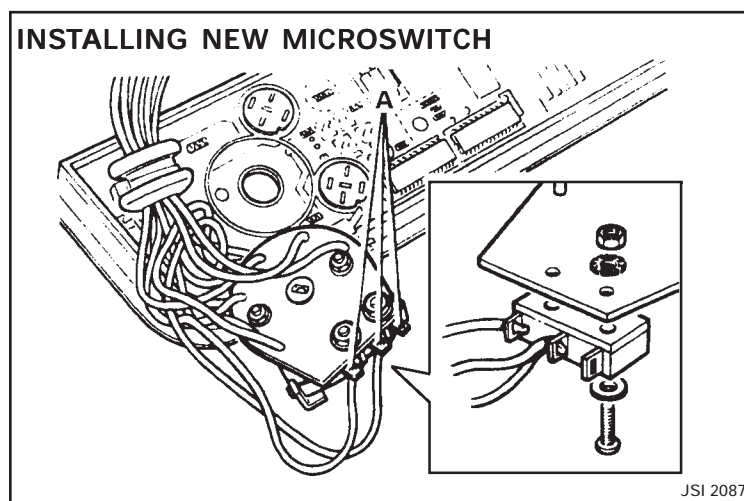


ILLUSTRATION 9

13. Fit the fan speed control switch to the control panel using the existing nut and washer.
14. Refit the rear cover panel using the original screws. Install the fan speed control knob to the spindle.
15. Reassemble and install the center console facia assembly.
16. Connect the battery ground cable and code the radio and security system.
17. Reset the clock and program the preset radio stations.
18. Verify climate control, radio and security system operation.

**PARTS INFORMATION:**

<u>PART NUMBER</u>	<u>DESCRIPTION</u>
JLM 11238	Anti-vibration screw kit
JLM 11240	Microswitch replacement kit

**WARRANTY INFORMATION**

<u>FAULT CODE</u>	<u>R.O. NUMBER</u>	<u>DESCRIPTION</u>	<u>TIME ALLOWANCE</u>
JY BB HR	86.91.54	Anti-vibration screw kit installation	0.60 hrs.
JY BF GN	86.91.56	Microswitch replacement kit installation	1.05 hrs.