

TECHNICAL BULLETIN



Compressor Refrigerant Leaks – Sanden 709 R12 Compressors – Seal & Gasket Kits Available

82-51

MODEL 1991-92 MY Sedan Range DATE 9/98
1993 XJS Range

ISSUE:

Sanden 709 A/C R12 compressors (part no. CCC-4929) used in Sedan Range and XJS vehicles are often replaced needlessly because of seal leakage. Gasket kits and seal kits are available to service these compressors using special tools JD-167 and JD-168 (Illustrations 1 and 2).

ACTION:

After determining the source of refrigerant leakage from the compressor, replace the shaft seal (repair operation number 82.10.11) and/or the compressor valve plate gaskets (repair operation number 82.10.26) as required.

On Sedan Range vehicles refer to the XJ6 Service Manual (part no. JJM100405/90) Volume 4, page 82-68 or 82-71.

On XJS vehicles, refer to the XJS Service Manual (part no. JJM 100406/20) Volume 4, pages 82-26 or 82-29.

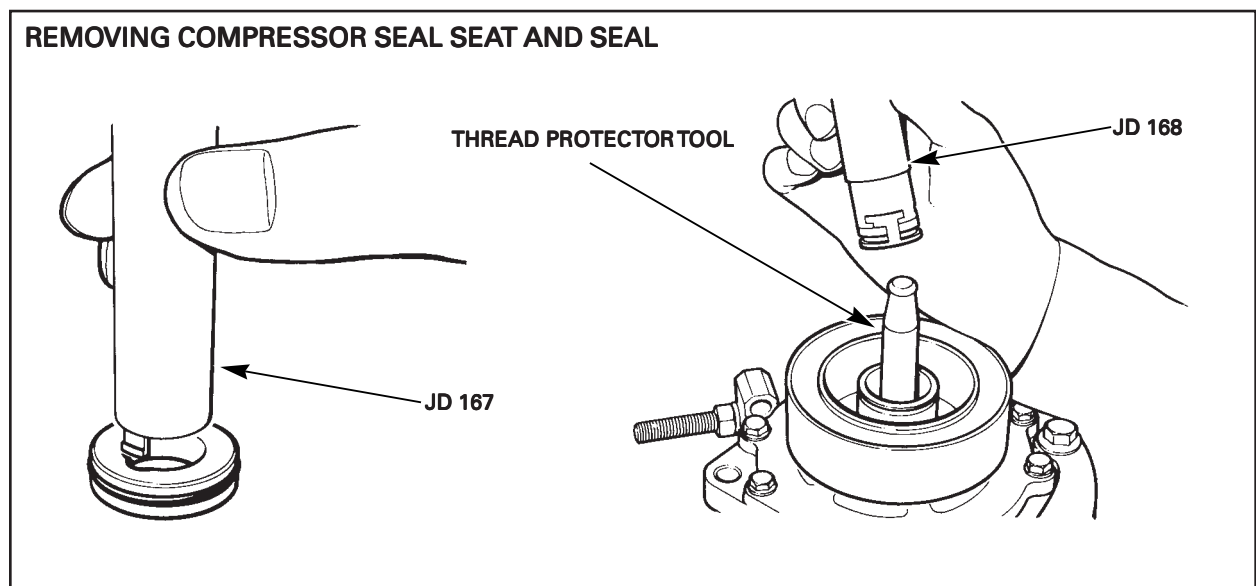


ILLUSTRATION 1

REPLACING A/C COMPRESSOR VALVE PLATE GASKETS

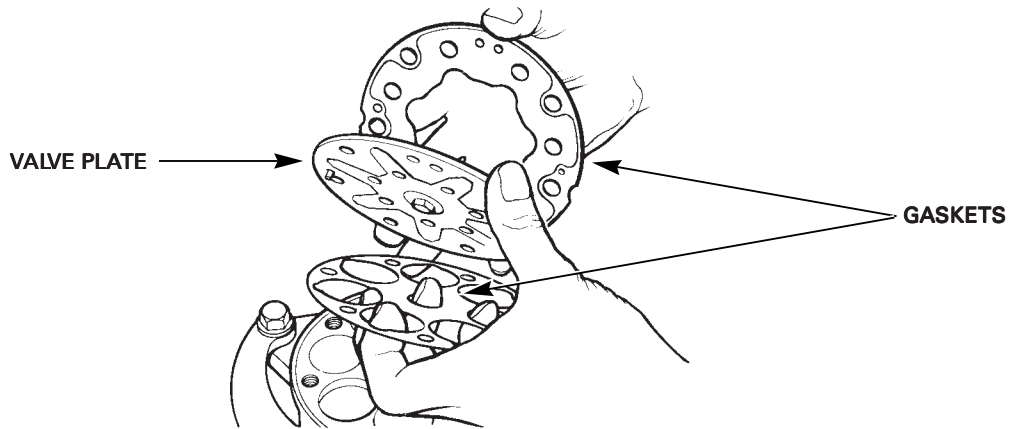


ILLUSTRATION 2

PARTS INFORMATION:

<u>DESCRIPTION</u>	<u>PART NUMBER</u>	<u>QTY</u>
Sanden 709 (R12) compressor gasket kit	JLM 2139	1
Sanden 709 (R12) compressor seal kit	JLM 2137	1

WARRANTY INFORMATION:

Refer to the Warranty Codes and Repair Operation Times manual for labor times and fault codes.