

TECHNICAL BULLETIN



Trunk Latch – Modified Part – Install Using Short Screw

86-177

MODEL Sedan Range 1990-93 MY
VIN 594576 - 687218

DATE 9/96

ISSUE:

The original trunk latch (BEC 4829 or BEC 19331) for 1990-93 MY Sedan Range vehicles within the above VIN range is no longer serviced. The 1994 MY Sedan Range trunk latch (GMB 3500AB) can be installed together with a shorter screw (SE 604031/J).

ACTION:

Install trunk latch GMB 3500AB (Illustration 1) using screw SE 604031/J in place of the longer screw originally used on the vehicle. Reuse the plain washer and the lockwasher (Illustration 1) originally on the vehicle with the shorter screw.

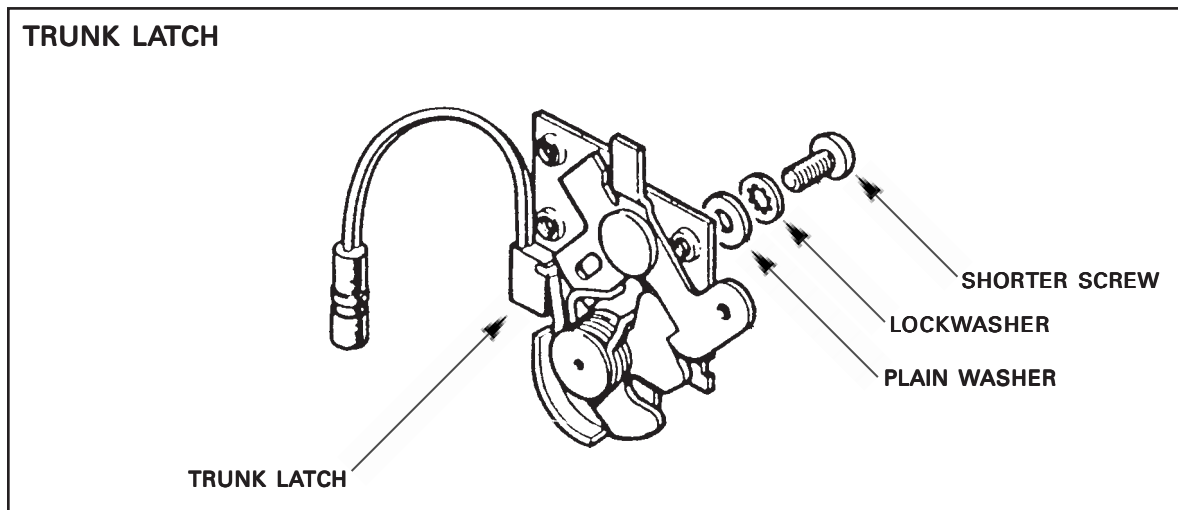


ILLUSTRATION 1

PARTS INFORMATION:

<u>DESCRIPTION</u>	<u>PART NUMBER</u>	<u>QTY</u>
Trunk latch	GMB 3500AB	1
Screw	SE 604031/J	1