

Power Steering Pump Valve Bore –
Incorrect Machining –
Service Action S506

MODEL 2003 MY
XK Range
VIN A34173-A34935

Issue:

A concern has arisen on a number of 2003 MY XK Series vehicles, within the above VIN ranges. Incorrect machining of the valve bore in the power steering pump can cause the valve to stick resulting in a loss of power assistance.

Note: Although there will be a loss of power assistance the driver will be able to maintain control of the vehicle with manual steering.

Vehicles that are affected by this Service Action are listed in this bulletin. Only those vehicles listed need to be checked and reworked if required

Action:

Check the vehicles listed in this bulletin **only**, for suspect power assisted steering pumps and replace the pump where required.

Perform this work, if possible, prior to handover to the customer or alternatively, at the next available opportunity.

INSPECTION PROCEDURE

1. Raise vehicle.
2. From under the vehicle, check the spot drilling on the pump body, using a suitable mirror and flashlight. (Illustration 1). The viewing access is the gap between the air conditioning compressor and the front suspension beam.

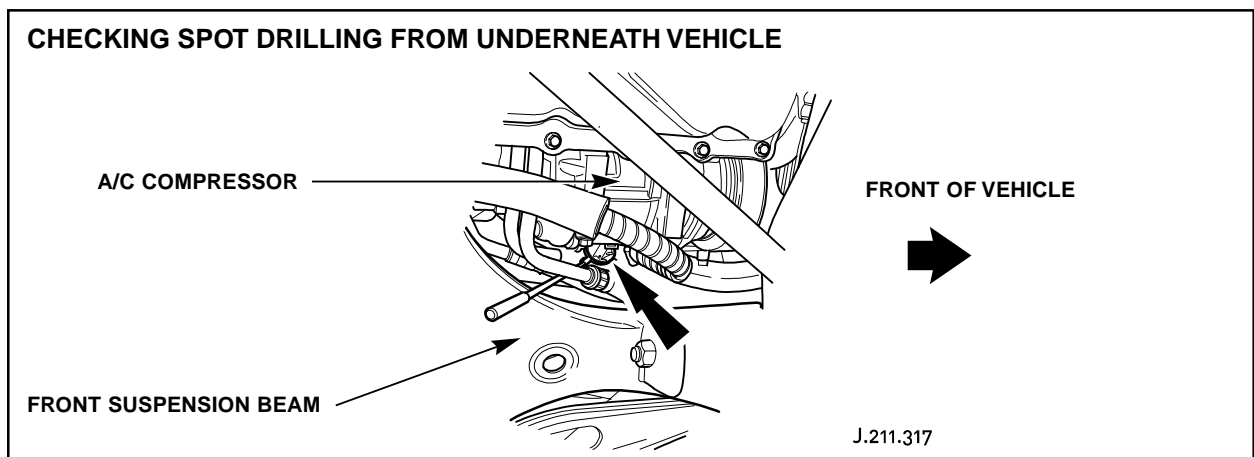


ILLUSTRATION 1

LOCATION OF SPOT DRILLINGS

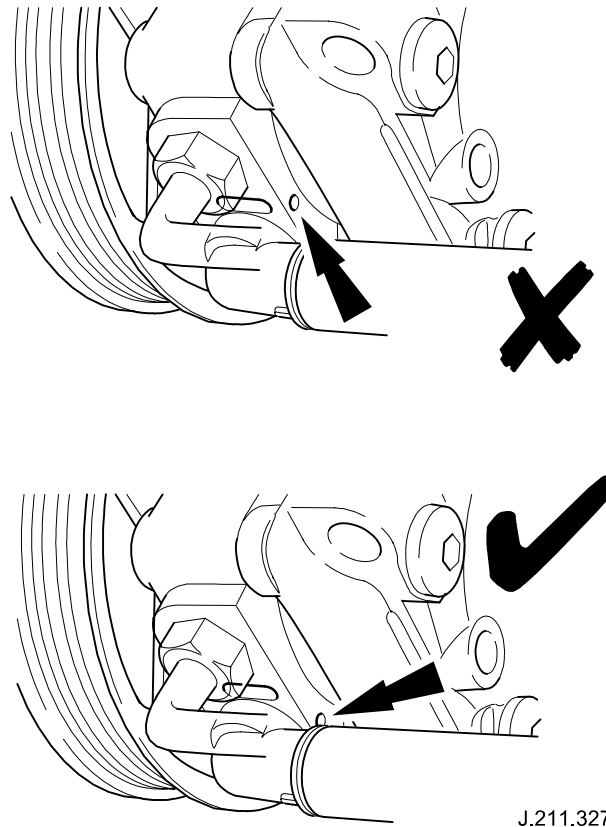


ILLUSTRATION 2

3. The suspect pumps have a spot drilling on the cast face 25 mm from the edge nearest to the low-pressure port as shown in the illustration marked with the X in Illustration 2. The spot drilling will align with one side of the oval recess on the machined face of the pump body. Non-suspect pumps have a spot drilling approximately 17 mm from the edge nearest to the low pressure port as shown in the illustration marked with the ✓ in Illustration 2.

LOCATION OF SPOT DRILLINGS

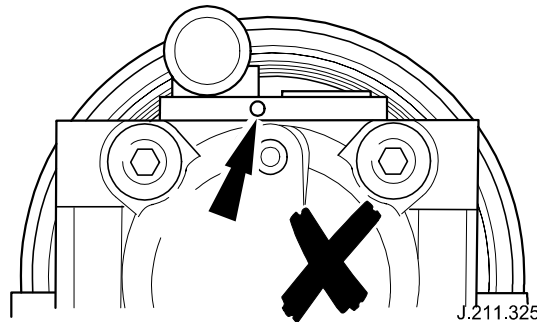
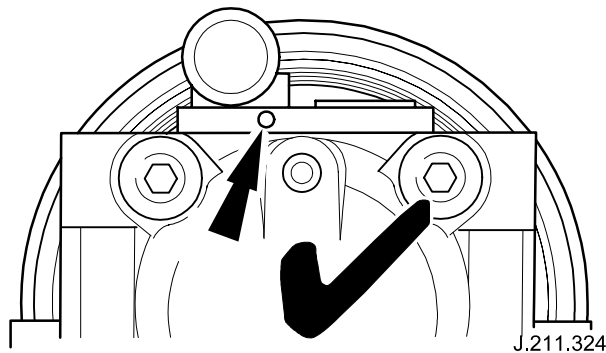


ILLUSTRATION 3

Note: Some pumps could have two spot drilling marks. You are requested to examine the position of the spot drilling mark nearest the low-pressure port only. (See Illustration 3a and 3b)

4. If you have identified a non-suspect pump at this stage **no further action is required.** If you have identified a suspect pump proceed to step 5 of this Workshop Procedure.
5. If you have identified a suspect pump at this stage, remove PAS pump. (See Workshop Manual, JTIS CD-ROM, section: 211-02, SRO 57.20.04).

Note: For the new XJ Range vehicles only, when referring to the Workshop Manual, JTIS CD-ROM, section: 211-02, SRO 57.20.04, please note that the accessory drive belt will need to be removed before the air conditioning compressor and power steering pump are removed.

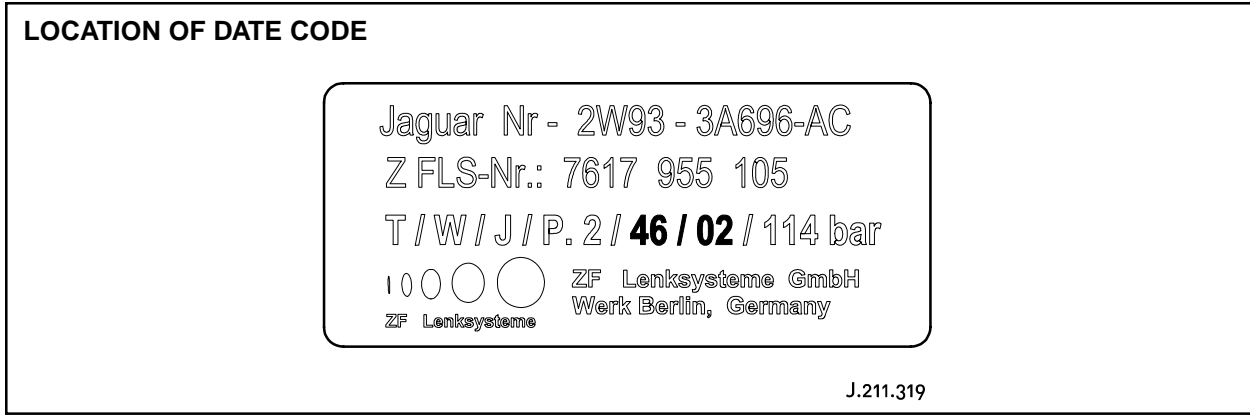


ILLUSTRATION 3

6. Check the date code on the PAS pump. If the code shows week **46, 48 or 50** in year **02** (Illustration 4) in addition to the drilling 25 mm from the edge, install a new PAS pump. (See Workshop Manual, JTIS CD-ROM, section: 211-02, SRO 57.20.04). Reinstall the existing pump if the code does not show week **46, 48, or 50** in year **02**.

Note: Pump must have **both** the drilling 25 mm from the edge, **and a date code of 46, 48, or 50** to be replaced under this Service Action. Date code alone is not grounds for replacement.

Note: For this Service Action campaign only it will not be necessary to install a new PAS reservoir when installing the new PAS pump.

Note: For the new XJ Range vehicles only, when referring to the Workshop Manual, JTIS CD-ROM, section: 211-02, SRO 57.20.04, please note that the air conditioning compressor and new power steering pump will need to be installed before the accessory drive belt.

7. Lower vehicle.

Parts Information:

<u>DESCRIPTION</u>	<u>PART NUMBER</u>	<u>QTY.</u>
PAS Pump	C2C 1079	1
Power Steering Fluid	JLM 21703	1

Warranty Information:

Warranty claims should be submitted quoting program code S506 together with the relevant option code from table on the next page. This will result in payment of the stated time and, where applicable, parts/miscellaneous expense codes.

The options that allow for drive in/drive out can only be claimed when the vehicle has been brought in for this action to be undertaken alone.

The SROs and parts listed above have been included for information only. There will be no requirement to enter the parts or SROs onto the claim.

Service Action S506

Model	Year	VIN Range
XK8	2003 MY	32A34173 - 32A34935
XKR	2003 MY	33A34173 - 33A34935

Program Code	Option	Description	SRO	Time	Part Number	Part Description	Qty
S506	A	Check PAS pump machine spot drilling	57.91.25	0.2 hrs.			
S506	K	Check PAS pump machine spot drilling	57.91.25	0.2 hrs.			
		Drive in/Drive out	10.10.10	0.1 hrs.			
S506	L	Check PAS pump machine spot drilling. Remove PAS pump, check date code and refit as OK	57.91.25/01 XK8 XKR	2.1 2.5 hrs.	JLM 21703	PAS Oil	1
S506	M	Check PAS pump machine spot drilling. Remove PAS pump, check date code and refit as OK	57.91.25/01 XK8 XKR	2.1 2.5 hrs.	JLM 21703	PAS Oil	1
		Drive in/Drive out	10.10.10	0.1 hrs.			
S506	B	Check PAS pump machine spot drilling. Remove PAS pump check date code and renew	57.91.25/01 XK8 XKR	2.1 2.5 hrs.	C2C 1079 JLM 21703	PAS Pump PAS Oil	1 1
S506	C	Check PAS pump machine spot drilling. Remove PAS pump check date code and renew	57.91.25/01 XK8 XKR	2.1 2.5 hrs.	C2C 1079 JLM 21703	PAS Pump PAS Oil	1 1
		Drive in/drive out	10.10.10	0.1 hrs.			

VIN	DLR	VIN	DLR
<u>USA Vehicles</u>		A34386	3148
A34332	0022	A34469	3148
A34661	0078	A34215	3201
A34673	0078	A34401	3201
A34371	0222	A34669	3201
A34646	0222	A34305	3904
A34263	0517	A34586	3904
A34643	0517	A34749	3937
A34850	0517	A34663	3944
A34260	0518	A34355	5397
A34409	0518	A34406	5397
A34476	0518	A34180	5416
A34545	0518	A34292	5416
A34668	0518	A34667	5416
A34236	0580	A34687	5416
A34346	0580	A34310	5454
A34533	0580	A34740	5454
A34631	0580	A34455	5490
A34703	0580	A34314	5497
A34758	0580	A34457	5504
A34487	0617	A34458	5504
A34775	0617	A34709	5537
A34452	0692	A34271	5544
A34521	0696	A34376	5544
A34541	0696	A34403	5544
A34733	0696	A34608	5544
A34356	0734	A34688	5544
A34296	1049	A34353	5573
A34316	1049	A34323	5581
A34383	1049	A34398	5581
A34698	1049	A34413	5581
A34728	1049	A34431	5581
A34190	1060	A34436	5581
A34466	1060	A34438	5581
A34574	1060	A34446	5581
A34259	1417	A34454	5581
A34175	1459	A34460	5581
A34592	1459	A34658	5581
A34671	1459	A34690	5581
A34785	2103	A34701	5581
A34349	3148	A34737	5581

VIN	DLR	VIN	DLR
A34199	5585	A34473	5672
A34206	5585	A34739	5672
A34478	5585	A34727	5675
A34247	5603	A34317	5677
A34652	5603	A34482	5677
A34464	5618	A34656	5678
A34650	5618	A34341	5679
A34691	5618	A34350	5679
A34694	5618	A34484	5679
A34724	5618	A34526	5680
A34185	5625	A34290	5681
A34188	5625	A34424	5681
A34293	5625	A34680	5681
A34307	5625	A34191	5684
A34718	5625	A34391	5684
A34445	5630	A34425	5686
A34529	5630	A34173	5687
A34214	5632	A34596	5687
A34242	5632	A34248	5692
A34388	5635	A34239	5694
A34397	5639	A34422	5696
A34451	5639	A34512	5697
A34590	5639	A34697	5697
A34344	5640	A34766	5697
A34382	5640	A34184	5699
A34325	5641	A34434	5699
A34329	5641	A34430	5701
A34394	5641	A34637	5701
A34443	5641	A34200	5703
A34463	5641	A34262	5703
A34475	5641	A34494	5703
A34539	5641	A34557	5703
A34653	5641	A34569	5703
A34837	5641	A34635	5703
A34254	5653	A34638	5703
A34389	5662	A34644	5703
A34308	5668	A34693	5703
A34575	5668	A34361	5704
A34685	5668	A34380	5704
A34710	5668	A34256	5706
A34524	5670	A34232	5708

VIN	DLR	VIN	DLR
A34358	5708	A34763	5744
A34367	5708	A34470	5747
A34368	5708	A34634	5747
A34374	5708	A34245	5749
A34395	5708	A34611	5749
A34415	5708	A34520	5751
A34427	5708	A34714	5752
A34499	5708	A34905	5752
A34418	5718	A34240	5756
A34560	5718	A34713	5756
A34563	5718	A34304	5758
A34226	5721	A34196	5766
A34233	5721	A34257	5766
A34295	5721	A34442	5766
A34439	5721	A34491	5766
A34581	5721	A34449	5767
A34182	5723	A34178	5768
A34364	5723	A34604	5768
A34602	5723	A34605	5768
A34616	5723	A34614	5768
A34640	5723	A34479	5771
A34769	5723	A34692	5775
A34784	5723	A34302	5777
A34467	5724	A34335	5780
A34194	5729	A34212	5781
A34584	5729	A34641	5781
A34179	5735	A34935	5781
A34377	5735	A34273	5782
A34419	5735	A34370	5782
A34536	5735	A34433	5782
A34540	5735	A34748	5782
A34679	5735	A34362	5786
A34404	5737	A34266	5791
A34410	5737	A34265	5905
A34437	5737	A34537	5905
A34230	5741	A34244	5916
A34400	5742	A34238	5917
A34440	5743	A34241	5917
A34629	5743	A34311	5936
A34416	5744	A34599	5936
A34755	5744	A34235	5989

VIN	DLR
A34251	5989
A34518	5997
A34800	

Canada

A34369	6219
A34716	4496
A34788	4498