

Door Trim Panel Loose or Adrift –
Upper Rear Retainer Clip Bracket –
Repair

MODEL 2000 MY-ON
XK Range

VIN A00016-ON

Issue:

Some vehicles may exhibit a door trim panel that is loose due to a broken upper rear retainer clip bracket. The bracket can be renewed, to avoid replacing the complete trim panel.

Action:

In case of a verified customer complaint of the above condition, do not replace the door trim panel. Install a new retainer clip bracket on the door trim panel as outlined below.

1. Remove the door trim panel (see Global Technical Reference GTR Workshop Manual, section: 501-05).
2. Using a suitable pen, draw a line around the damaged retainer clip bracket (Illustration 1).

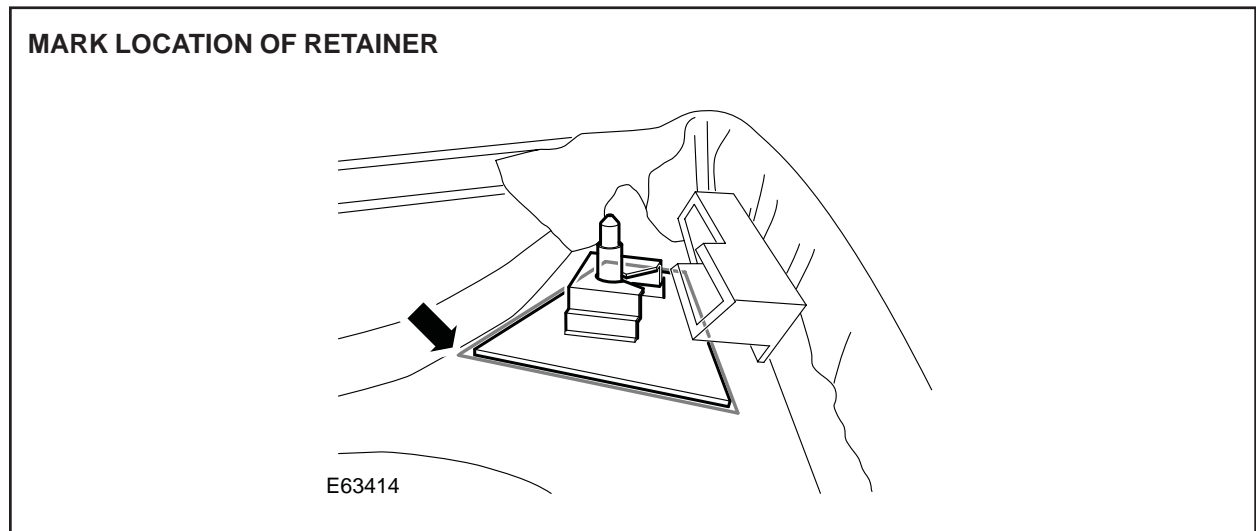


ILLUSTRATION 1

NOTE: THE INFORMATION IN TECHNICAL BULLETINS IS INTENDED FOR USE BY TRAINED, PROFESSIONAL TECHNICIANS WITH THE KNOWLEDGE, TOOLS, AND EQUIPMENT TO DO THE JOB PROPERLY AND SAFELY. IT INFORMS THESE TECHNICIANS OF CONDITIONS THAT MAY OCCUR ON SOME VEHICLES, OR PROVIDES INFORMATION THAT COULD ASSIST IN PROPER VEHICLE SERVICE. THE PROCEDURES SHOULD NOT BE PERFORMED BY "DO-IT-YOURSELFERS." DO NOT ASSUME THAT A CONDITION DESCRIBED AFFECTS YOUR CAR. CONTACT A JAGUAR DEALER TO DETERMINE WHETHER THE BULLETIN APPLIES TO YOUR VEHICLE.

⚠ Caution: Ensure the door trim panel is not damaged by removing the retainer clip bracket.

3. Carefully pry the damaged retainer clip bracket from the door trim panel, using a suitable flat bladed tool (Illustration 2).

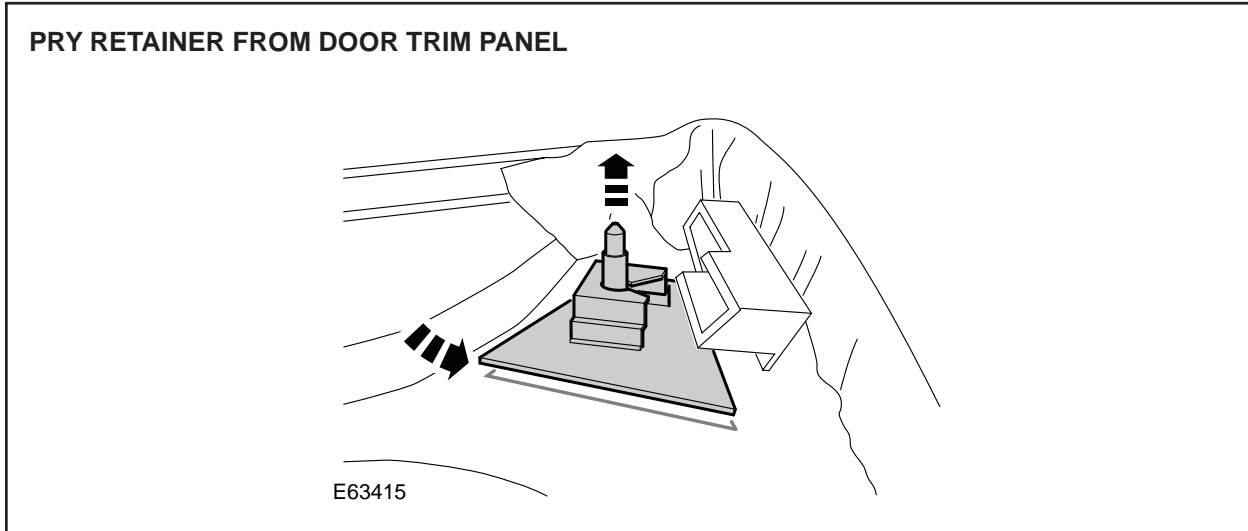


ILLUSTRATION 2

4. Apply 3M Hotmelt 3748 Adhesive (or a suitable Polyolefin adhesive) to the marked area on the door trim panel.
5. Install the new retainer clip bracket to the door trim panel (Illustration 3).

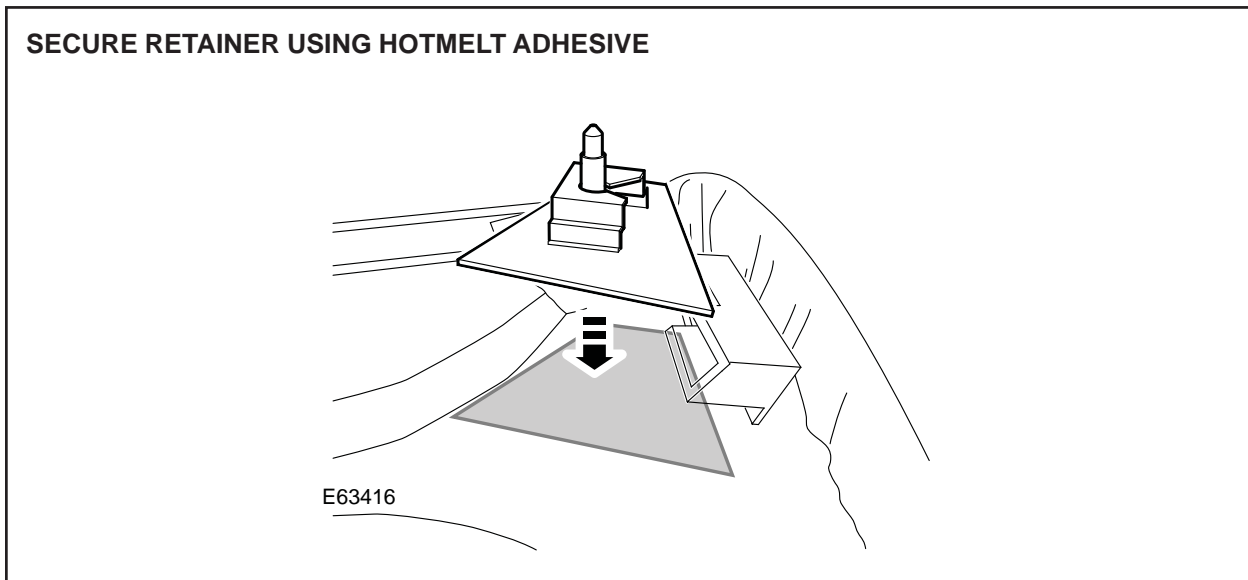


ILLUSTRATION 3

6. Install the door trim panel (see Global Technical Reference GTR Workshop Manual, section: 501-05).

Global Technical Reference (GTR) Workshop Manual Information:

Dealer access: <https://hub.franchise.jaguar.com>

Internet access: <http://www.jaguartechno.com>

Parts Information:

<u>DESCRIPTION</u>	<u>PART NUMBER</u>	<u>QTY</u>
Retainer clip bracket - Left-hand	C2N 3837	1
Retainer clip bracket - Right-hand	C2N 3836	1

Warranty Information:

Warranty claims should be submitted quoting the information found in the table below. This will result in payment of the stated time and, where applicable parts/miscellaneous expense codes as listed.

Description	SRO	Time	Causal Part Number
Install a new door trim panel retainer clip bracket	76.94.92	0.2 hrs.	GJB 1204BA LEG

Note: 3M Hotmelt 3748 Adhesive is classed as a workshop consumable and should be locally sourced.