



Sedan Range

DATE 4/96

05.1-15

SERVICE

TECHNICAL BULLETIN

Intermittent High Idle – Replace Throttle Return Spring

MODEL 1995-96 MY
Sedan (4.0L) Range
VIN
720001 - 775319

ISSUE:

Some 1995-96 MY 4.0L Sedan Range vehicles may occasionally exhibit a higher than target idle speed under certain driving conditions.

This condition may occur under city driving conditions when there is no pressure on the accelerator pedal.

ACTION:

In case of a customer complaint of intermittent high idle on 1995-96 MY 4.0L Sedan Range vehicles within the above VIN range, verify the complaint by checking whether the engine returns to the target idle speed when the throttle is released:

700 rpm* in Park/Neutral; 580 rpm* in Reverse or Drive ranges.

* At coolant temperatures less than 86°F (30°C) idle speed \pm 30 rpm; at coolant temperatures greater than 86°F (30°C) idle speed \pm 20 rpm.

If a condition of high idle speed is confirmed, check the throttle pedal for obstructions, check that the throttle cable moves freely, and check the throttle cable adjustment (Section 5.1.7 in the XJ6-XJ12 Vehicle Service Manual). If the condition is still present, replace the throttle spring with a stronger spring as described in the appropriate procedure.

REPLACING THROTTLE SPRING - NORMALLY ASPIRATED ENGINES

1. Disconnect the inner accelerator cable from the throttle body.
2. Remove the cruise control linkage pin and circlip.
3. After removing the three torx screws, carefully remove the throttle assembly cap from the pedestal.

NOTE: It is important to note that the straight extension of the throttle return spring is against the post next to the idle speed control valve. The straight extension of the spring must rest against this post only.

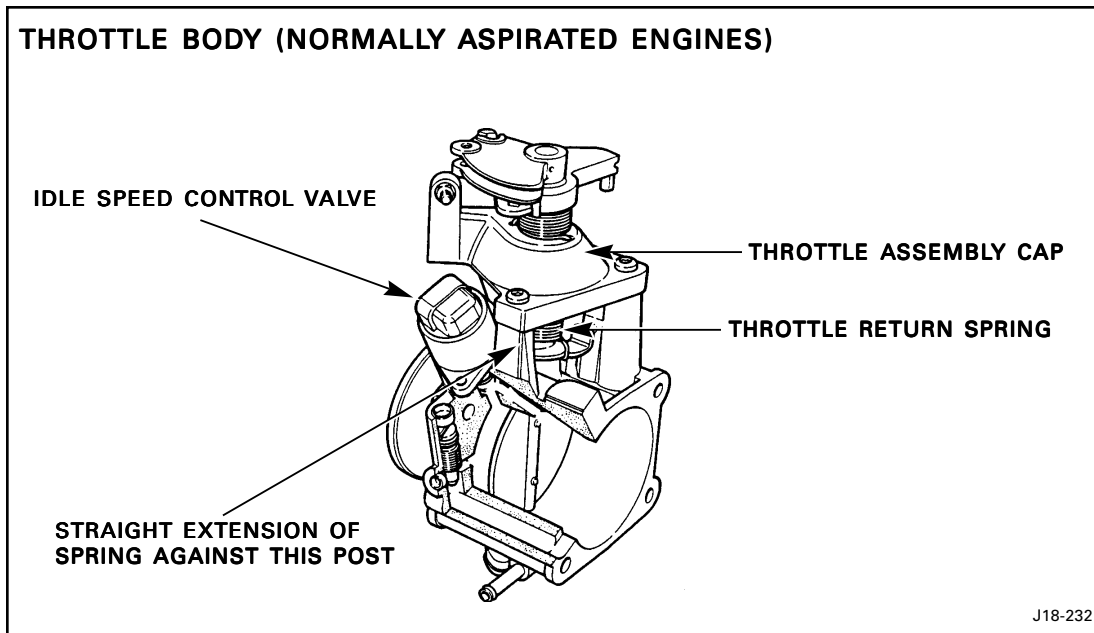


ILLUSTRATION 1

4. Unhook the throttle return spring (Illustration 1), from the throttle shaft actuator and then remove the spring and sleeve from the shaft.
5. Remove the sleeve from the spring and discard the spring.
6. Insert the sleeve into the replacement spring, install the sleeve and the spring on the throttle shaft and hook the spring on the actuator.

NOTE: The revised throttle return spring must be pre-loaded by rotating the straight extension one full turn counterclockwise until it can be installed in the same position against the post next to the idle speed control valve, as the original spring.

6. Carefully install the cap on the throttle assembly noting the lever location.
7. Reconnect the cruise control linkage.
8. Reconnect the accelerator cable to the throttle body assembly.
9. Check the operation of the throttle body.

REPLACING THROTTLE SPRING - SUPERCHARGED ENGINES

1. Remove the charge air cooler (intercooler) induction elbow, hose and sealing ring. Refer to section 3.1.10 in the XJ6/XJ12 Vehicle Service Manual.
2. Remove the cruise control vacuum hose and the return spring. Remove the actuator.
3. Disconnect the inner accelerator cable from the throttle body.

4. After removing the three torx screws, carefully remove the throttle assembly cap (Illustration 2) from the pedestal.

NOTE: It is important to note that the straight extension of the throttle return spring is against the post next to the idle speed control valve. The straight extension of the spring must rest against this post only.

5. Unhook the throttle return spring (Illustration 2), from the throttle shaft actuator and then remove the spring and sleeve from the shaft.

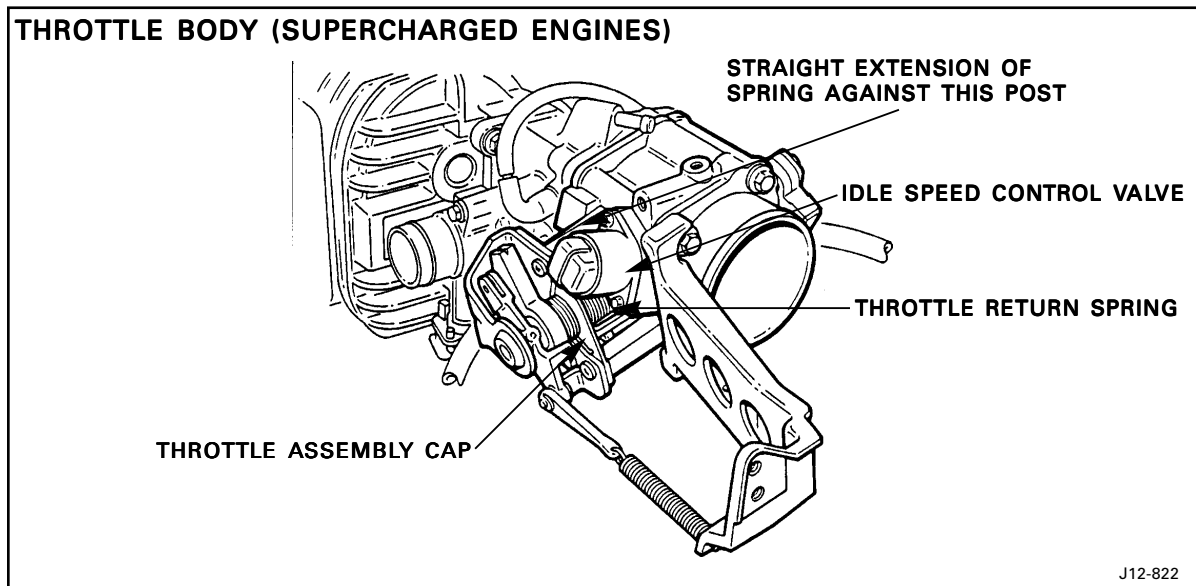


ILLUSTRATION 2

6. Remove the sleeve from the spring and discard the spring.
7. Insert the sleeve into the replacement spring, install the sleeve and the spring on the throttle shaft and hook the spring on the actuator.

NOTE: The revised throttle return spring must be pre-loaded by rotating the straight extension one full turn counterclockwise until it can be installed in the same position against the post next to the idle speed control valve, as the original spring.

8. Carefully install the cap on the throttle assembly noting the lever location.
9. Reconnect the accelerator cable to the throttle assembly.
10. Reconnect the cruise control linkage.
11. Reconnect the vacuum hose, linkage pin and the return spring.
12. Position the sealing ring in the induction elbow and then connect the elbow to the charge air cooler.
13. Verify correct operation of the throttle body assembly.

PARTS INFORMATION:

<u>DESCRIPTION</u>	<u>PART NUMBER</u>	<u>QTY</u>
Throttle Return Spring	NBB 3131AA	1

WARRANTY INFORMATION:

<u>FAULT CODE</u>	<u>R.O. NUMBER</u>	<u>DESCRIPTION</u>	<u>TIME ALLOWANCE</u>
CD GC GC	19.91.46	Remove and install throttle return spring 4.0L NA	0.15 hrs.
CD GC GC	19.91.46	Remove and install throttle return spring 4.0L SC	0.60 hrs.