



Sedan Range

DATE 11/94

13-04

SERVICE

TECHNICAL BULLETIN

**Interior Protection – Changes
Removal**

MODEL 1995 MY
Sedan Range
VIN 720001-ON

ISSUE:

The interior protection kit, fitted to new vehicles since the 1993 MY, has been improved. The following areas are protected for the 1995 MY.

- Carpet
- Footwell tray
- Front door casing
- Front door top roll
- Console tray
- Center console cover
- Center console rear extension
- Gear selector knob
- Sill carpet and tread plate
- Steering wheel
- Lower “A” post
- Parking brake
- Roof console

Note: Interior protection components are manufactured from recyclable clear PVC (polyvinylchloride).

ACTION:

Vehicle interior protection should remain in place during PDI. Interior protection components are designed for easy removal, however the following instructions must be followed.

IMPORTANT: Interior protection should remain in place until just before delivery to the customer. **DO NOT CUT ANY OF THE INTERIOR PROTECTION TO REMOVE IT. REMOVE BY HAND ONLY.**

CARPET PROTECTION

Carpet protection can be easily peeled from the carpet and eased from under the tread plate. The tread plate does not require removal.

FOOTWELL TRAY

Unscrew the carpet fastener 1/4 turn and remove to lift out the tray (Illustration 1). Replace the carpet fastener.

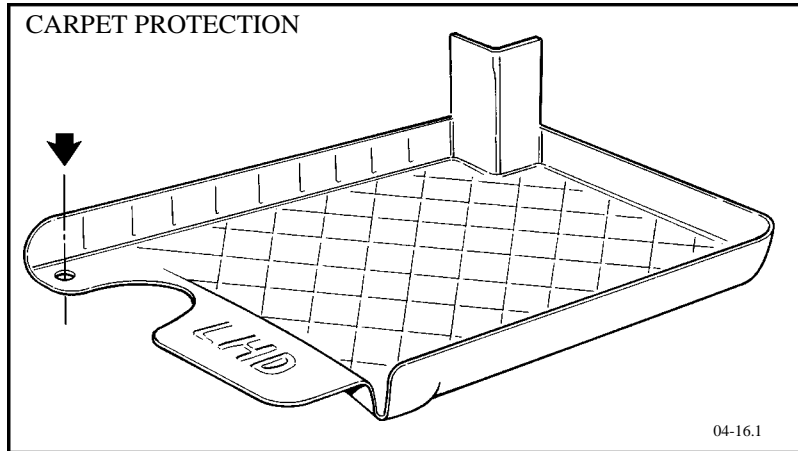


ILLUSTRATION 1

DOOR CASING

Remove door casing protection (Illustration 2) in the following sequence.

1. Remove the tape from the armrest.
2. Pull the protection down from under the top roll.
3. Pull the protection away from the door.
4. Pull the cover down from the door.
5. Pull the cover forward, away from the door. Tabs on the cover align with the door casing clips.

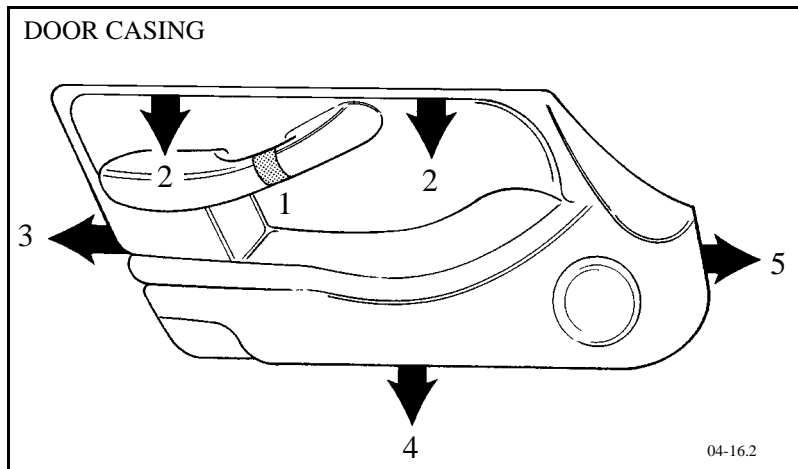


ILLUSTRATION 2

FRONT AND REAR SILL AND TREAD PLATE

Pull the sill cover down while gently easing the tread plate up (Illustration 3).

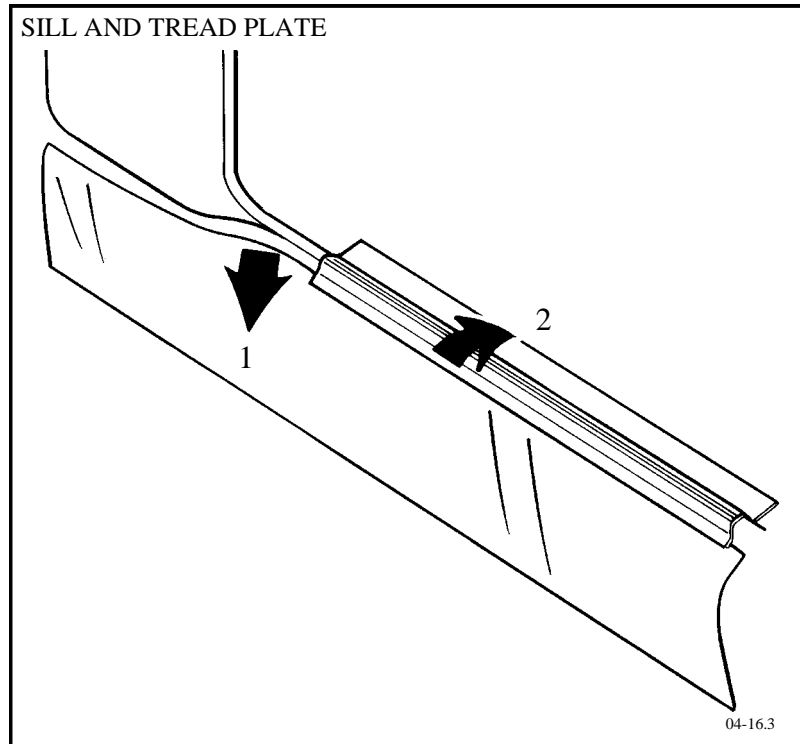


ILLUSTRATION 3

STEERING WHEEL

Remove the paper tape by hand only