

New Special Tool –
Sliding Roof Seal Crimping Tool JD 200

MODEL 1995 MY
Sedan Range
VIN
720001-ON

ISSUE:

A crimping tool (JD 200) for crimping the sliding roof seal has been released.

ACTION:

JD 200 consists of a special pair of pliers used to crimp the sliding roof seal. The tool has an anvil which can be rotated to use the flat or radiused edge (Illustration 1).

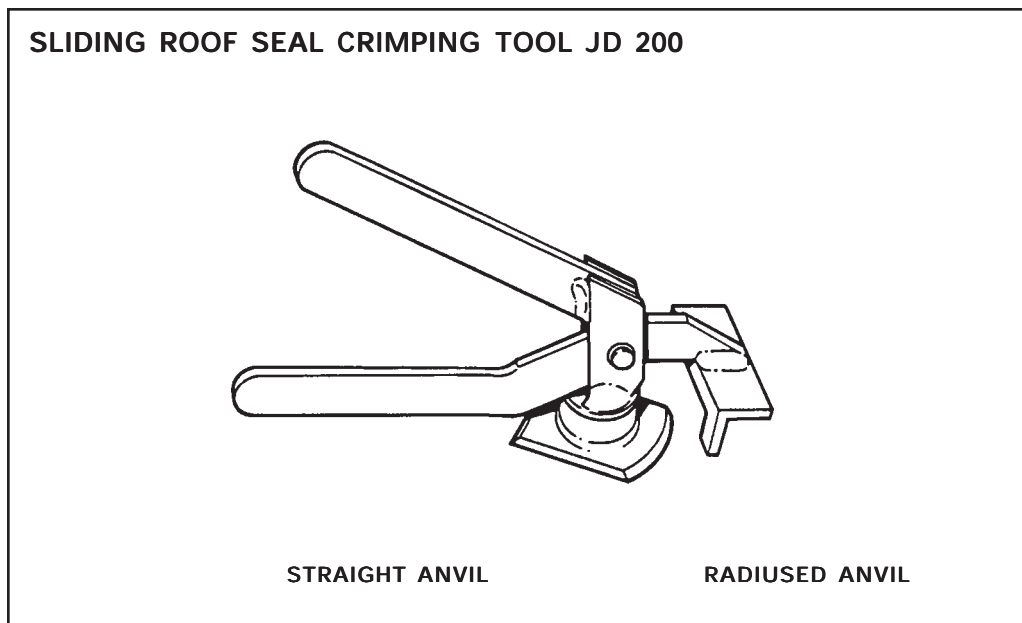


ILLUSTRATION 1

Use the flat edge to crimp straight sections of the seal as shown in Illustration 2. Use the radiused edge for the curved corners of the seal. When using the radiused edge, move the tool slightly between each crimp.

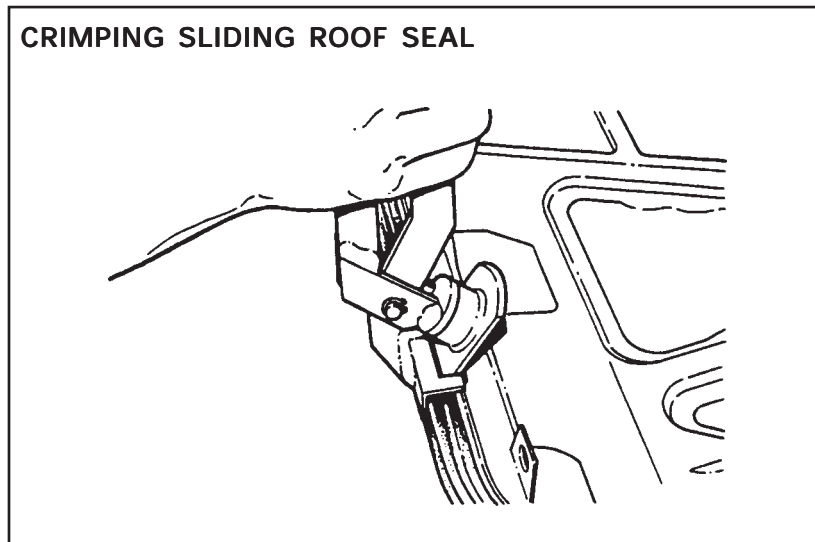


ILLUSTRATION 2