



Sedan Range

DATE 10/95

13-11

SERVICE

## TECHNICAL BULLETIN

Water Ingress – Sliding Roof Control Module (SRCM) – Improve Sealing

MODEL 1995 MY  
Sedan Range

VIN  
720001 - 738556

### ISSUE:

On some Sedan Range vehicles within the above VIN range, water may enter the sliding roof mechanism and subsequently the Sliding Roof Control Module (SRCM). This may lead to involuntary sliding roof operation.

As of VIN 738557, improved waterproofing of the sliding roof mechanism by applying sealing material and additional greasing of the drive cables, has entered production.

### ACTION:

In case of a customer complaint of a sliding roof malfunction, the following should be carried out:

- Check the drain tubes for obstructions.
- Blow any water out the drive tube and grease the drive cables.
- Seal around the tube, the lifter block and the guide rail.
- Install a new SRCM.

### CHECK THE DRAIN TUBES FOR OBSTRUCTIONS

Water accumulating in the area of the drive mechanism cable and tube can be carried by the drive cable along the tube and enter the SRCM, causing erratic operation. This accumulation can be caused by blocked drain tubes.

1. Thoroughly dry the surrounding area. Use a small funnel and pour water down the tubes to assess the rate of drainage.

## SLIDING ROOF CONTROL MODULE AND DRIVE MOTOR

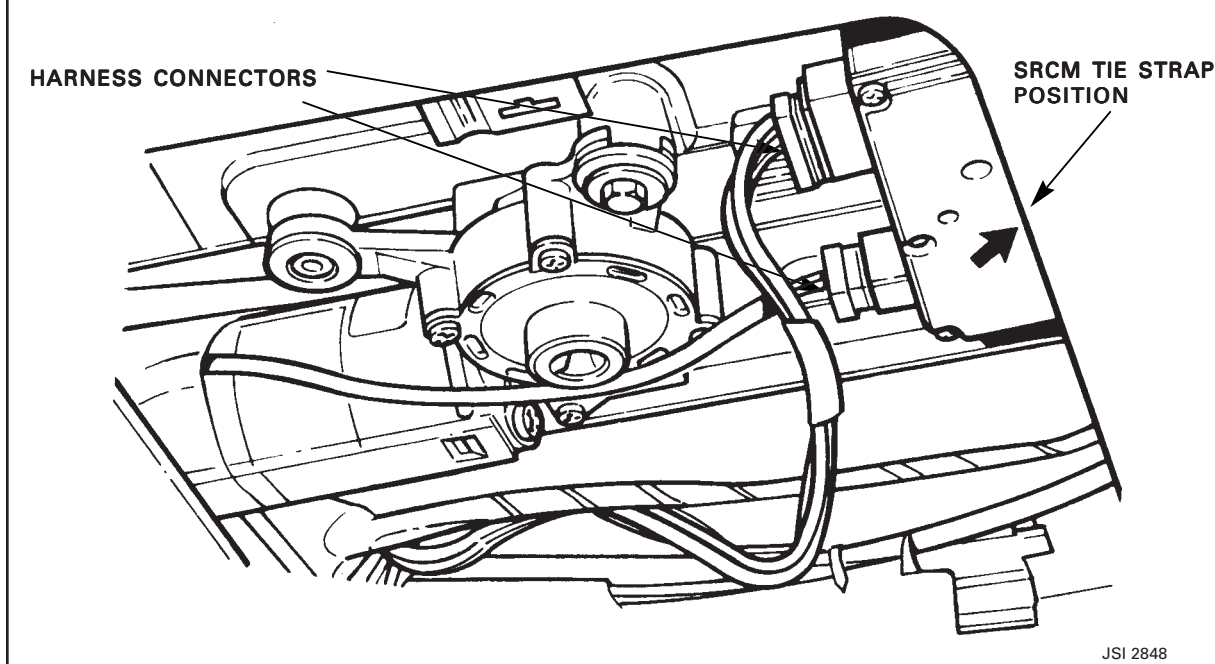


ILLUSTRATION 1

2. Lower the overhead console as far as possible. Cut the tie strap, Illustration 1, and lower the SRCM to expose the drive tube opening. If the SRCM has not been damaged, it can be used while still suspended from the harness. If the SRCM has been damaged, remove it by disconnecting the harness connectors, Illustration 1, and connect a new SRCM.

**NOTE:** Do not install the replacement SRCM to the drive tube until all cleaning, lubrication and sealing procedures are completed.

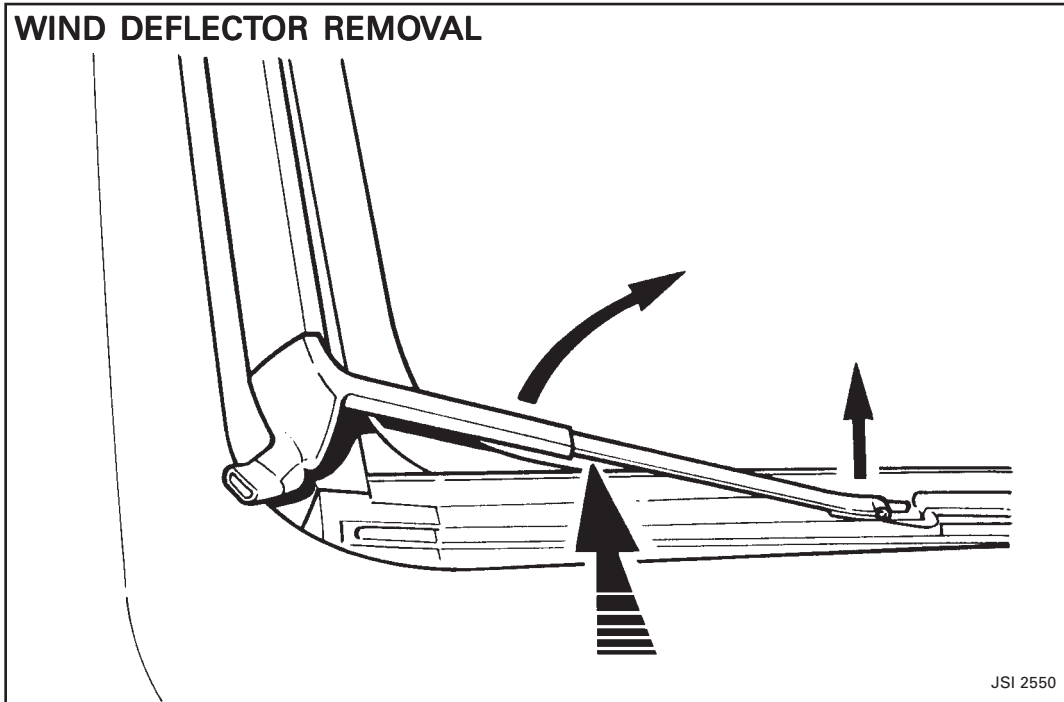


ILLUSTRATION 2

**BLOW ANY WATER OUT THE DRIVE TUBE AND GREASE THE DRIVE CABLES**

**NOTE:** Use Molub-Alloy No.1 grease for this operation.

1. Fully open the sliding roof and remove the wind deflector by pressing the side arm inwards, Illustration 2, to release the padded retainer and the fulcrum.
2. Protect the area around the drive tube opening with absorbent material to catch any debris. Use an air-gun with an extended nozzle, Illustration 3, to blow into

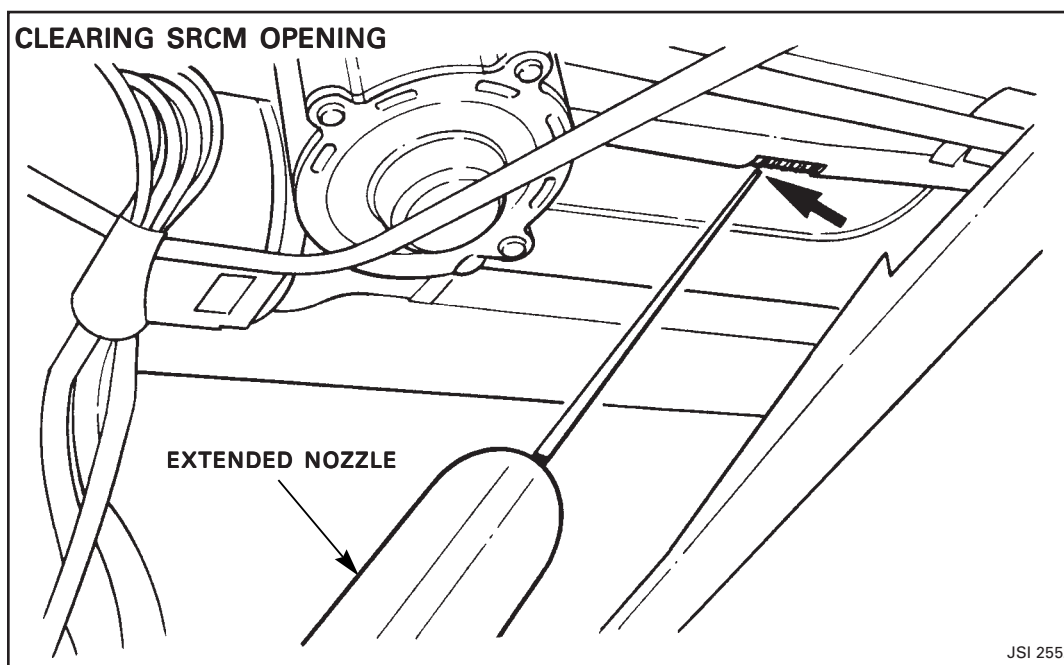


ILLUSTRATION 3

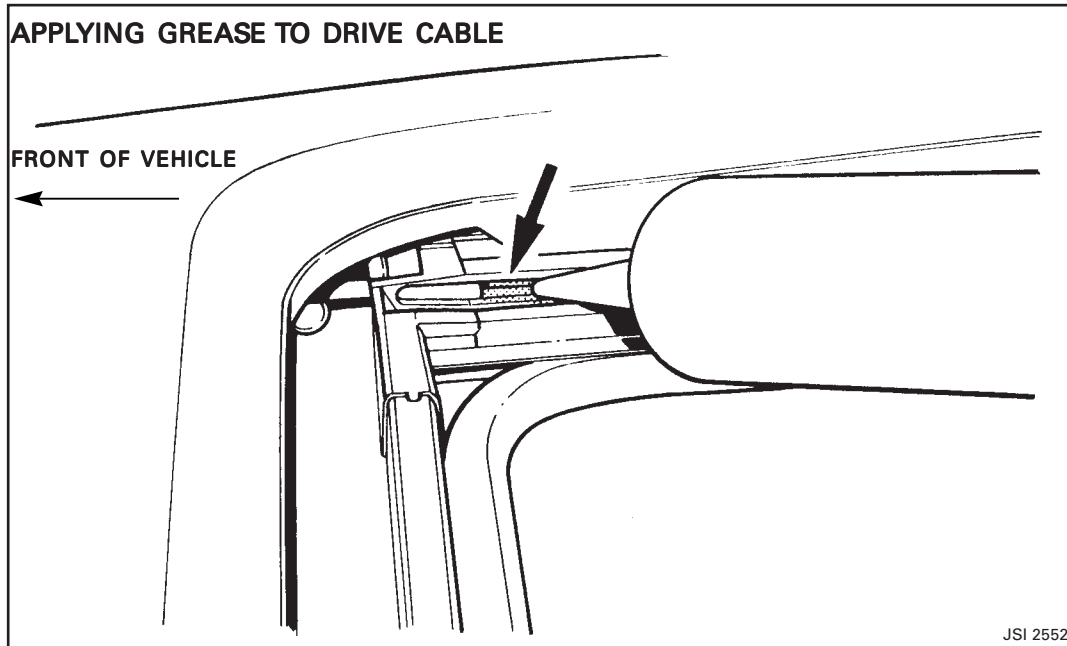


ILLUSTRATION 4

the hole to remove any residual water.

3. Apply grease to the drive cable, Illustration 4, to fill the tube. Operate the sliding roof control switch to gradually close the panel as far as possible while applying grease to the moving cable. Repeat the procedure on the opposite cable.
4. When the drive cable is fully greased, open and close the sliding roof five times to distribute the grease along the tube and dispel any residual water.

**NOTE:** The installed SRCM must be used to activate the sliding roof mechanism. If this SRCM is damaged, connect, but do not install, the replacement SRCM.

5. While opening and closing the sliding roof, check the SRCM drive opening for water and excess grease being expelled. A suitable absorbent material should be in position to catch the excess and protect the interior trim.

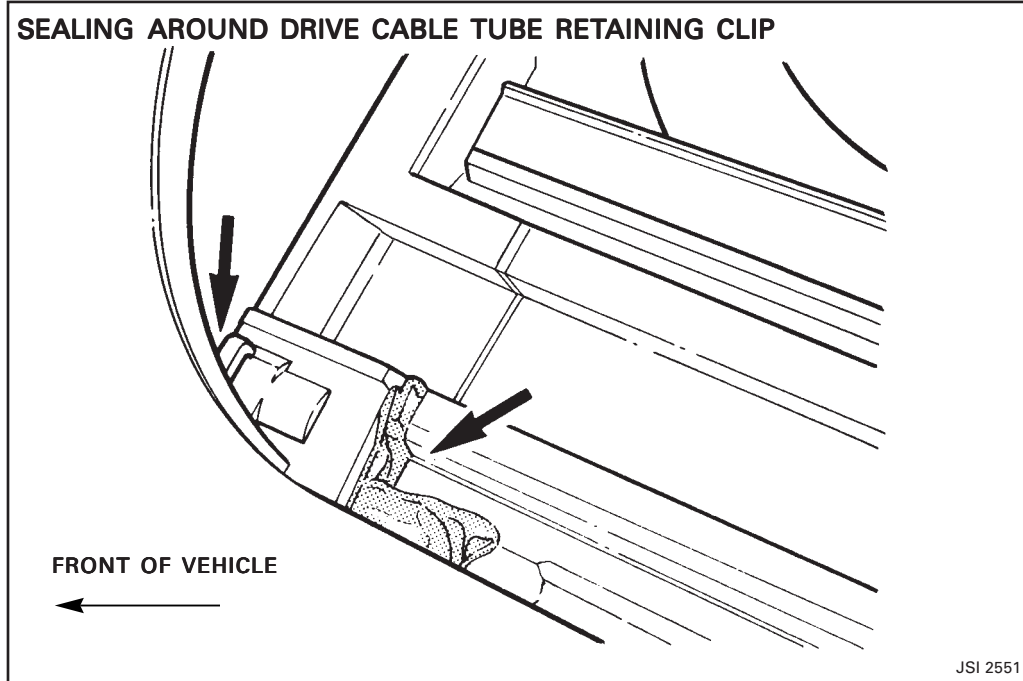


ILLUSTRATION 5

SEAL AROUND THE TUBE, THE LIFTER BLOCK AND THE GUIDE RAIL

**NOTE:** Use 3M Auto Sealer 8648 in the following operations.

1. Thoroughly clean any grease from the area using a suitable solvent.
2. Apply sealer to the top of the retaining clip (A, Illustration 5) so that sealer flows into the clip mounting holes, covers the clip and the area in front of and around the drive tube.
3. Apply sealer to the area between the rear of the lifter block and the guide rail (B, Illustration 5).

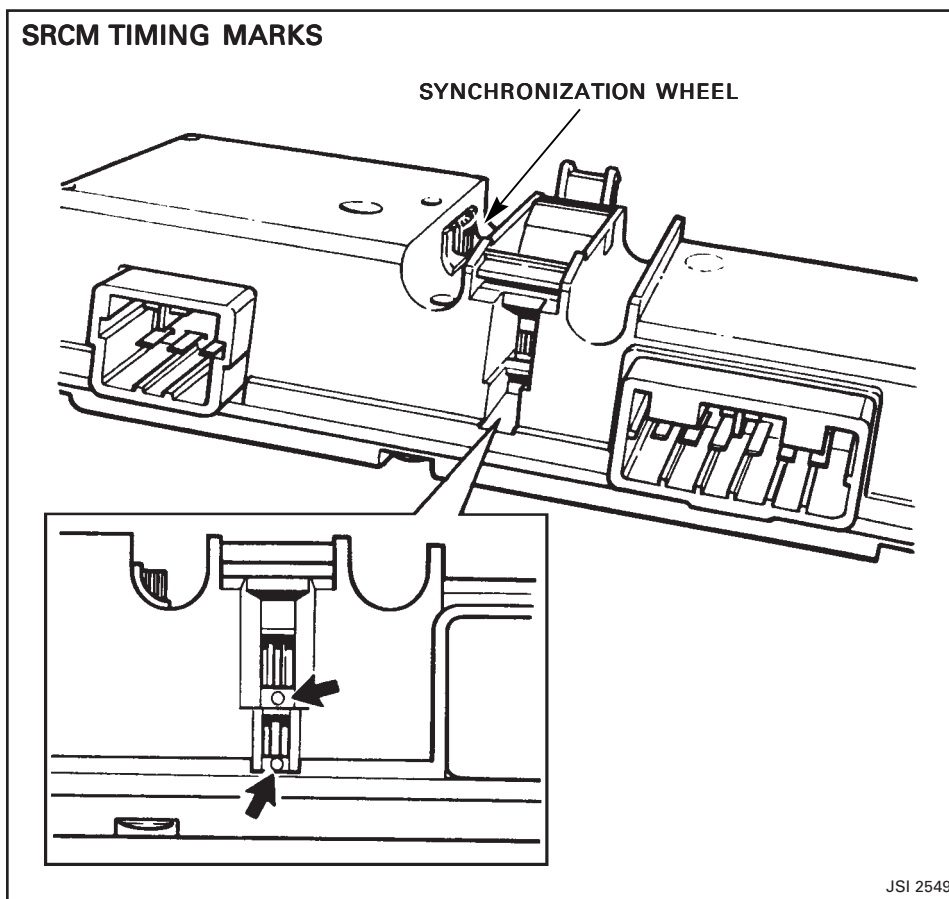


ILLUSTRATION 6

### INSTALL A NEW SRCM

1. Remove any grease from the drive tube opening, Illustration 3.
2. Turn the wheel, Illustration 6, until the two white timing marks are aligned. Install the SRCM on the drive tube and clip it into place. Install a new tie strap to hold the SRCM in position.

**NOTE:** Refer to TSB 13-20 for information on setting up the sliding roof using the PDU. The latest PDU software can be used.

### REINSTALL COMPONENTS

1. Reinstall wind deflector.
2. Reinstall overhead console.

**PARTS INFORMATION:**

<u>DESCRIPTION</u>	<u>PART NUMBER</u>	<u>QTY</u>
Sliding Roof Control Module (SRCM)	LNA 2140AA	1
3M Sealer	obtain locally	
Molub-Alloy No. 1 grease	obtain locally	

**WARRANTY INFORMATION:**

<u>FAULT CODE</u>	<u>R.O. NUMBER</u>	<u>DESCRIPTION</u>	<u>TIME ALLOWANCE</u>
VX CB PS	86.76	Reseal sliding roof	shop time