



Sedan Range

DATE 3/95

13-20

**SERVICE**

**TECHNICAL BULLETIN**

Sunroof –  
Diagnosis and Setup using PDU –  
Manual Operation

MODEL 1995 MY  
Sedan Range  
VIN 720001-ON

**ISSUE:**

PDU software issues beginning with 1017 have the capability of diagnosing the sliding roof system on 1995 MY Sedan Range Vehicles. Also, they can ensure correct sliding roof drive to control module synchronization.

**ACTION:**

Use PDU with software issue 1017 of higher to diagnose or setup the sliding roof on 1995 MY Sedan Range vehicles.

SLIDING ROOF SYSTEM DIAGNOSIS WITH PDU

1. Load PDU software issue 1017.
2. From the MAIN MENU choose DIAGNOSTICS, BODY SYSTEMS, SLIDING ROOF.
3. Follow the diagnostic routine on the PDU screen.

SLIDING ROOF CONTROL MODULE SYNCHRONIZATION WITH PDU

The control module must be synchronized to the sliding roof drive to provide a roof position index ensuring accurate and consistent operation.

1. Load PDU software issue 1017.
2. From the MAIN MENU choose DIAGNOSTICS, BODY SYSTEMS, SLIDING ROOF, C M SETUP.
3. Follow the information on the PDU screen.

PDU steps through the procedure and illustrates the correct position of the sliding roof control module drive gear timing marks.

## SLIDING ROOF MANUAL OPERATION

In the event of electrical failure, the sliding roof may be operated manually.

**NOTE:** Manual operation disengages the drive gear from the motor.

1. Turn the fastener in the roof console sunglasses compartment 90° to the left to release the roof console.
2. Lower the back end of the console slightly and slide it to the rear.  
Unplug the connector.
3. Insert a wide blade screwdriver in the motor spindle slot (Illustration 1).  
To open the roof, turn the screwdriver to the right . Then, turn the screwdriver 1/4 turn to the left to engage the drive gear.  
To close the roof, turn the screwdriver to the left . Then, turn the screwdriver 1/4 turn to the right to engage the drive gear.

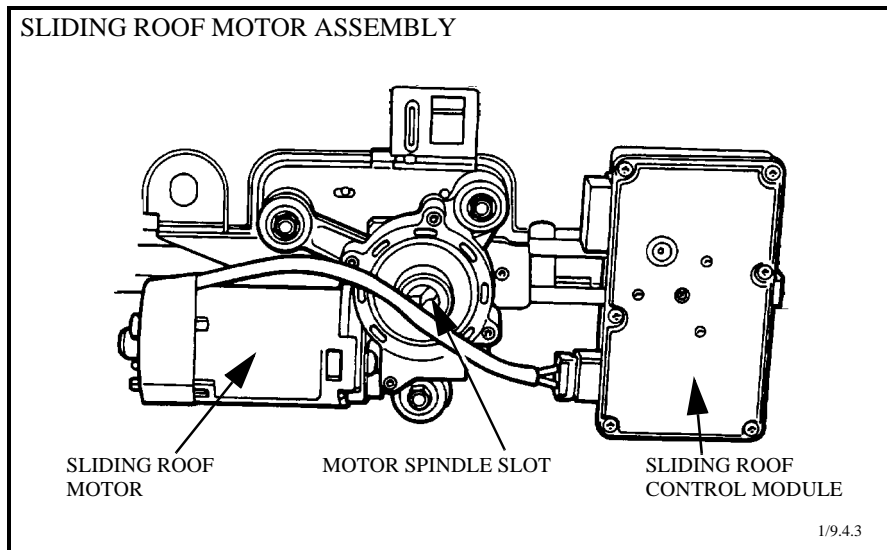


ILLUSTRATION 1