

Sliding Roof Control Module (SRCM) –
Avoiding Breakage – Removal &
Installation Procedure – Not In Manual

MODEL 1995-97 MY
Sedan Range
VIN 720001-812255

ISSUE:

This bulletin provides a procedure for removing the Sliding Roof Control Module (SRCM) without damaging the retaining clips.

ACTION:

When removing the SRCM on a 1995-97 MY Sedan Range vehicle, refer to the following procedure to avoid damage:

REMOVING SRCM

1. Remove the sliding roof trim panel assembly.
2. Remove the sliding roof flange finisher.
3. Remove the roof console for access.
4. Remove the right side sun visor support block.
5. Carefully lower the front edge of the headlining for access to the SRCM.

⚠ CAUTION: Use care not to damage the headlining when pulling it down.

6. Disconnect both harness connectors from the SRCM.
7. Remove the tie strap, if so equipped.

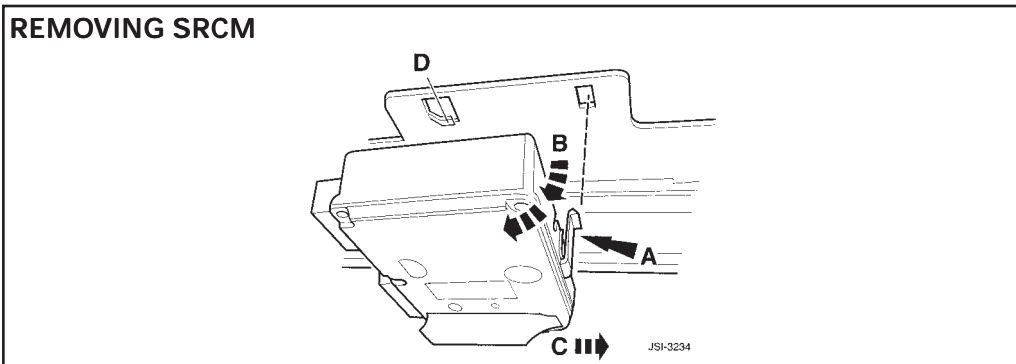


ILLUSTRATION 1

8. Feel under the SRCM until the retaining clip (A, Illustration 1) can be felt on the side of the SRCM. Press the retaining clip toward the ECM.
9. With the retaining clip depressed, swing the SRCM down in the direction of arrow B until the clip is free of the opening in the vehicle structure.
10. Move the SRCM sideways in the direction of arrow C until releases from retaining tab D. Remove the SRCM from the vehicle.

INSTALLING THE SRCM

The sliding roof panel must be correctly positioned and the SRCM synchronized before it is installed in the vehicle (Illustration 1).

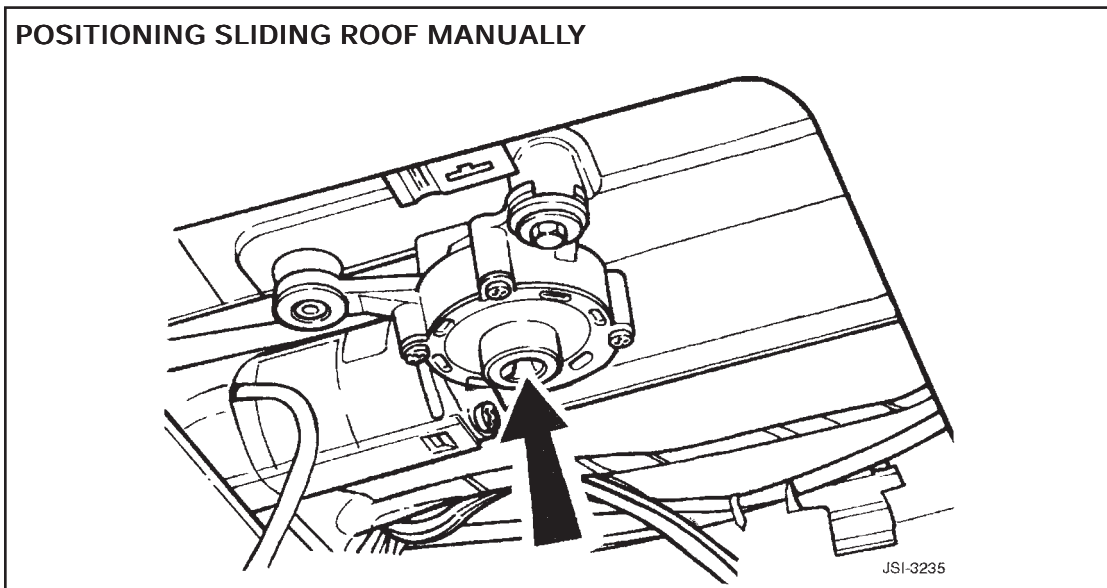


ILLUSTRATION 2

1. Use a screwdriver or drive key to manually position the sliding roof panel (Illustration 2) so that a gap of 8 mm is obtained at point A, Illustration 3. The gap can be measured using the shank of an 8 mm drill inserted between the driven lever and the step in the guide rail.

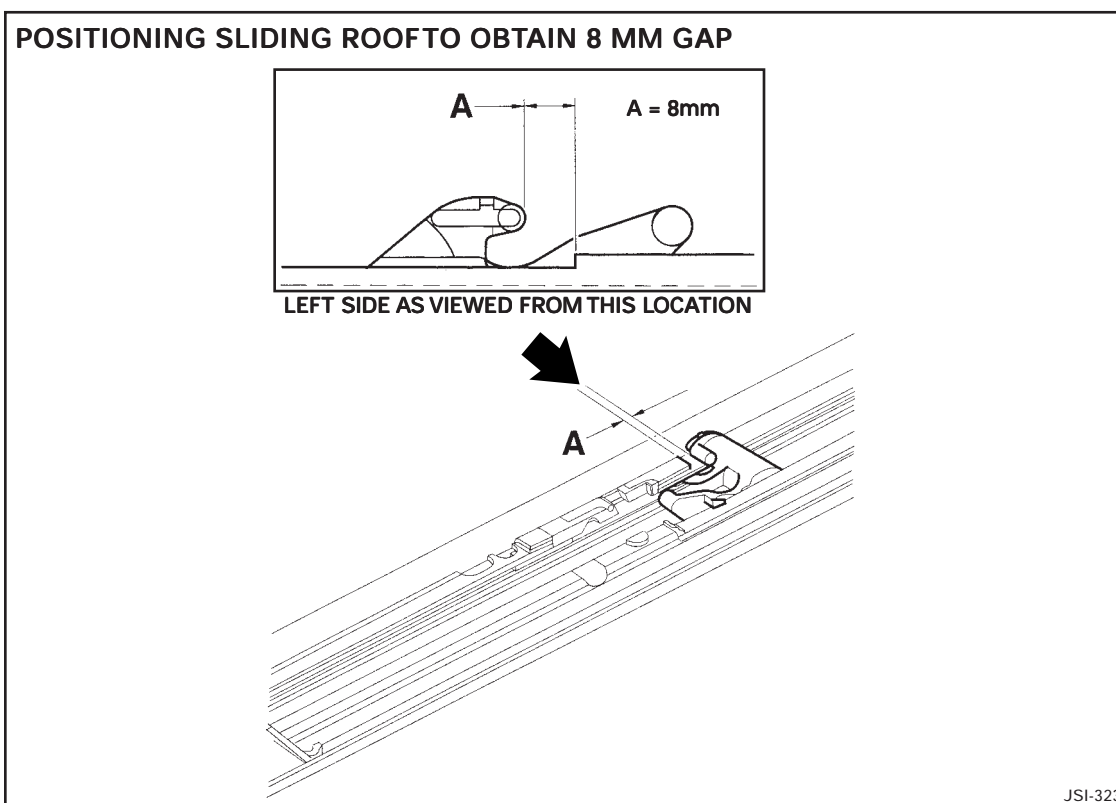


ILLUSTRATION 3

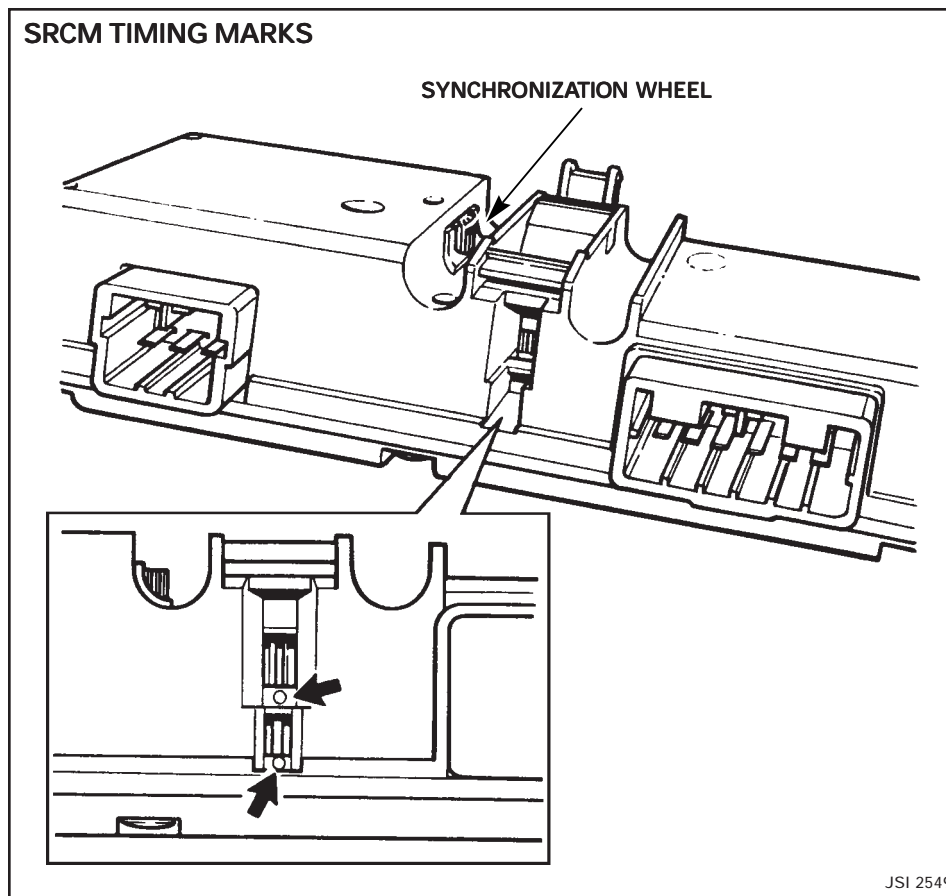


ILLUSTRATION 4

2. Turn wheel A, Illustration 4 until the two white dots (arrows, inset, Illustration 4) can be seen in the upper and lower openings. Align the dots.
3. Carefully lower the front edge of the headlining for access.

⚠ CAUTION: Use care not to damage the headlining when pulling it down.

4. Engage the SRCM in retaining tab D, Illustration 1. While holding the retaining clip depressed, swing the SRCM up against the roof. Release the retaining clip once it has fully entered the opening.
5. Connect the harnesses to the SRCM.
6. Install the support block for the right side sun visor.
7. Install the roof console.
8. Install sliding roof flange finisher.
9. Install sliding roof trim panel assembly.

WARRANTY INFORMATION:

This bulletin is issued as an aid to diagnosis only.