

Temporary Windshield Fogging After Blower Start-Up – Install Revised Control Module

MODEL 1995 MY  
Sedan Range  
VIN  
720001 - 741196

**ISSUE:**

Temporary fogging of the windshield after blower start-up may occur on some Sedan Range vehicles within the above VIN range. The condition results from residual moisture in the A/C unit reaching the windshield through the defroster ducts.

A revised Air Conditioning Control Module (A/CCM) entered production as of VIN 741197. This control module delays the opening of the defroster ducts for 30 seconds after the blower motors start to allow any residual moisture to evaporate.

**ACTION:**

In case of a customer complaint of temporary windshield fogging after blower motor start-up on Sedan Range vehicles within the above VIN range, replace the A/CCM with the revised module part no. LNA 7600AF.

A/CCM REPLACEMENT PROCEDURE

1. Disconnect battery negative cable.
2. Remove the right side dash liner and the right side footwell outlet duct.
3. Disconnect the A/CCM harness connectors (Illustration 1).
4. After removing the screws, remove the A/CCM (Illustration 1).

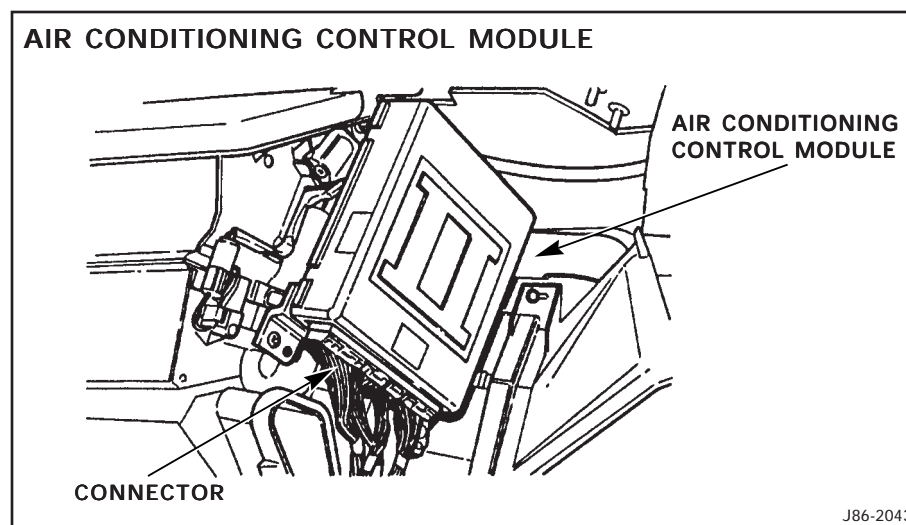


ILLUSTRATION 1

5. Position the new A/CCM so the mounting brackets engage correctly in the locating pegs and install.
6. Connect the connectors.
7. Align and install the footwell air duct.
8. Install the dash liner.
9. Connect the battery negative cable and reset the clock.

**PARTS INFORMATION:**

<u>DESCRIPTION</u>	<u>PART NUMBER</u>	<u>QTY</u>
Air Conditioning Control Module	LNA 7600AF	1

**WARRANTY INFORMATION:**

<u>FAULT CODE</u>	<u>R.O. NUMBER</u>	<u>DESCRIPTION</u>	<u>TIME ALLOWANCE</u>
JX BB RJ	82.20.65.09	A/CCM - Replace (without diagnostic time)	0.35 hrs.