

Damaged Wiring Harness – Possible Intermittent Engine Misfire/No Start – Remove Harness Clip

MODEL 1995-96 MY
Sedan Range
VIN
720001-770946

ISSUE:

Some Sedan Range vehicles within the above VIN range may exhibit a condition of engine misfire/no start, which can be caused by a clip shorting the engine management harness to ground. The clip, which is located on the bulkhead on the right side of the engine compartment (Illustration 1), may cut into the harness causing a short circuit.

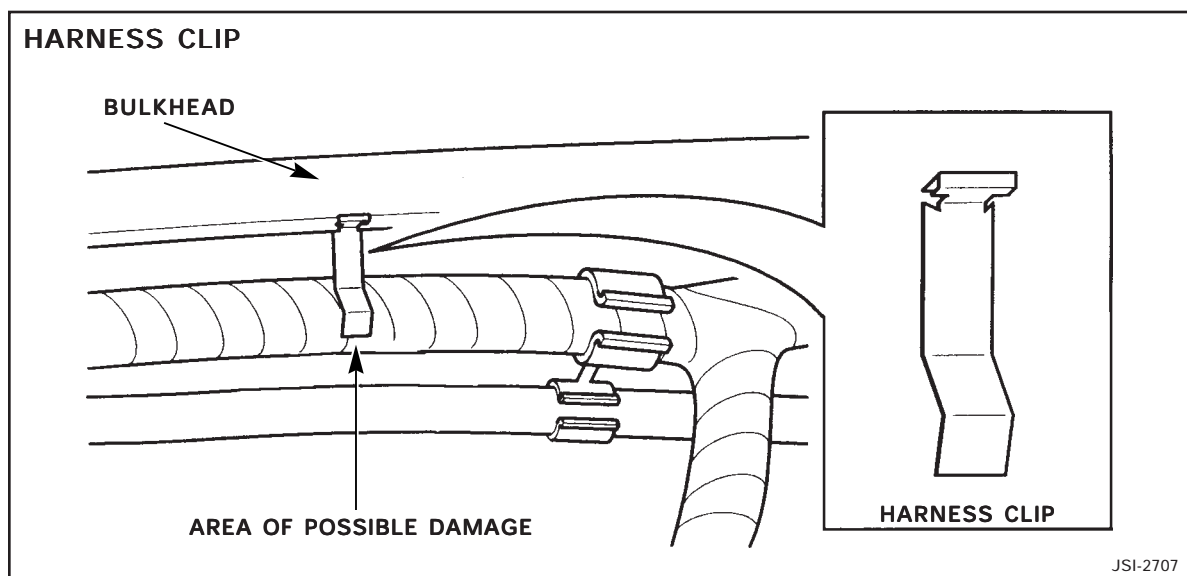


ILLUSTRATION 1

The clip is not found in this location on all vehicles and was deleted from the vehicle build specification after VIN 770946.

ACTION:

Remove and discard the clip on all vehicles where it is found, to eliminate the possibility of it penetrating the harness.

In case of a customer complaint of engine misfire/no start, check if the clip is present and if it has penetrated the harness. Remove and discard the clip. Test to verify if the harness has been damaged and repair as needed.