

**Squeaks & Rattles – Airbag Door
and Fascia Noise – Repair Procedure**

MODEL 1995 MY
Sedan Range

VIN
720001-747133

ISSUE:

Some 1995 MY Sedan Range vehicles within the above VIN range may experience squeaking from the air bag door rubbing against the adjacent fascia panel veneer, or the rear face of the door rubbing against the Airbag module carrier assembly. The noise from the deployment door and the fascia panel veneer can be eliminated by applying anti-squeak tape along the edge of the veneer, applying foam pads to the airbag module carrier assembly (Illustration 1), and realigning the airbag deployment door (Illustration 2).

ACTION:

After verifying a customer complaint of squeaking from the airbag deployment door, proceed as follows:

REPAIRING AIRBAG DEPLOYMENT DOOR SQUEAKS

1. Disconnect the vehicle battery.
2. Remove the underscuttle panel or glove box.

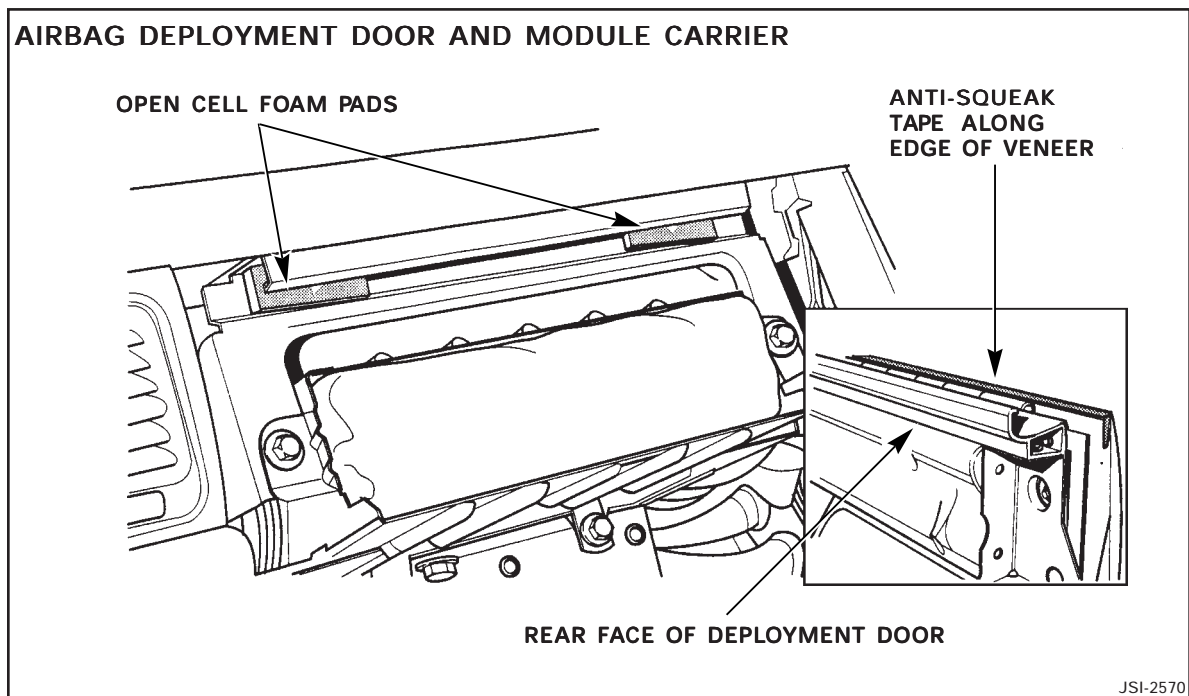


ILLUSTRATION 1

JSI-2570

3. Disconnect the airbag harness, remove the bolts and nut (Illustration 2) and remove the deployment door. Place the door on a soft surface to ensure the veneer will not be damaged.

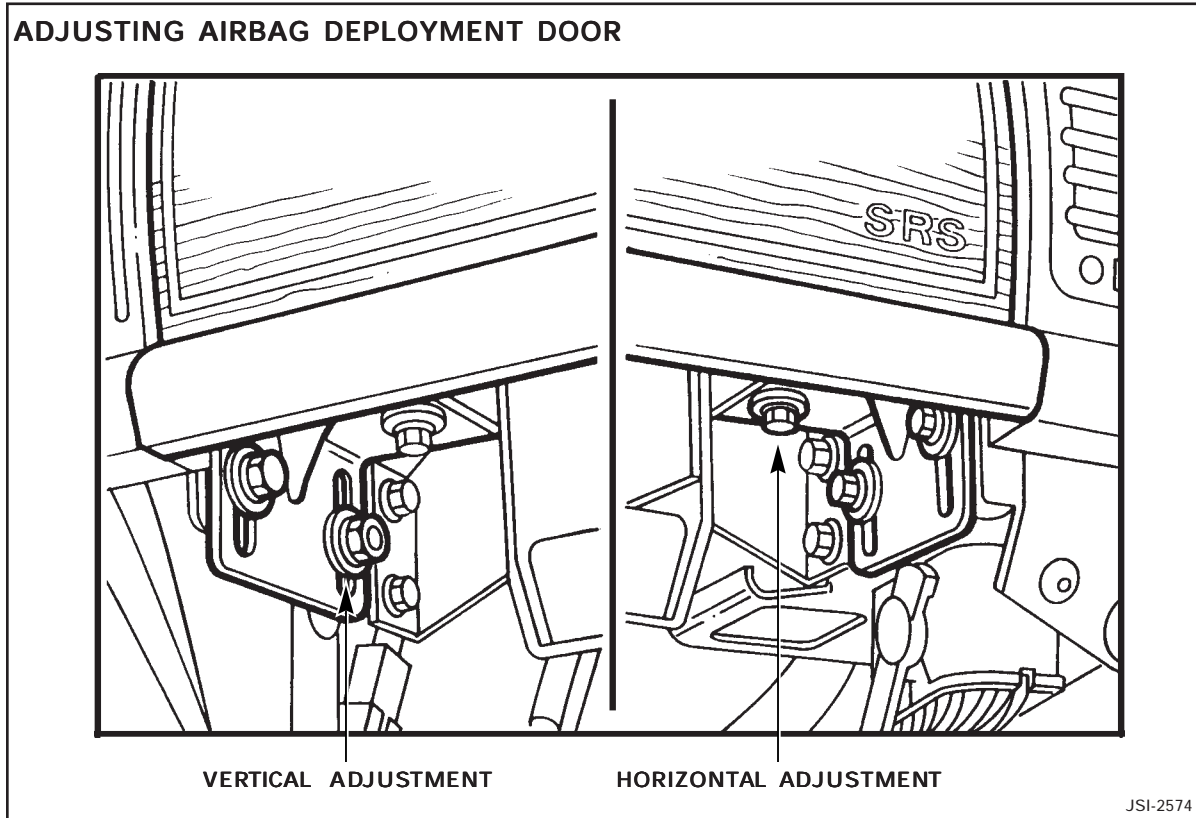


ILLUSTRATION 2

4. Apply anti-squeak tape (5 mm wide) along the top edge of the deployment door veneer (Illustration 1). Make sure the tape overlaps the ends as shown.
5. Attach two pads of open cell foam to the airbag module carrier assembly (Illustration 1) to prevent contact with the door assembly. The pads were introduced in production from VIN 741674.

NOTE: Position the pads so they will not be visible to the vehicle occupants.

6. Reinstall the deployment door.
7. Refer to the procedure in Technical Bulletin 19.5-01 to adjust the airbag door clearances (Illustration 2).
8. Reconnect the airbag harness.
9. Reinstall the glovebox or underscuttle panel.
10. Reconnect the battery and reset the clock.

PARTS INFORMATION:

<u>DESCRIPTION</u>	<u>PART NUMBER</u>	<u>QTY.</u>
Anti-squeak tape (5 mm wide)	JLM 12389	19.6 in. (0.5 m.)
Foam pad (open cell)	HMB 1728AA	2

WARRANTY INFORMATION:

<u>FAULT CODE</u>	<u>R.O. NUMBER</u>	<u>DESCRIPTION</u>	<u>TIME ALLOWANCE</u>
UH CB MS	76.92.90	Install foam pads and tape	0.30 hrs.