

Rattle –  
Rear of Vehicle Underbody –  
Repair Procedure

MODEL 1995-97 MY  
Sedan Range  
VIN 720001-812255

**ISSUE:**

On 1995-97 MY Sedan Range vehicles, a rear-end underbody rattle may be caused by the parking brake mechanism.

**ACTION:**

In case of a customer complaint of a rear-end underbody rattle on a 1995-97 MY Sedan Range vehicle, verify the complaint by performing a road test. During the road test, temporarily apply the parking brake lightly. If the rattle disappears, perform the following modification.

Install rubber sleeves over each parking brake shoe lower return spring (Item 5, Illustration 1). The sleeves will exert pressure on the parking brake shoe spreader mechanism, to prevent it from rattling against the backing plate under certain conditions.

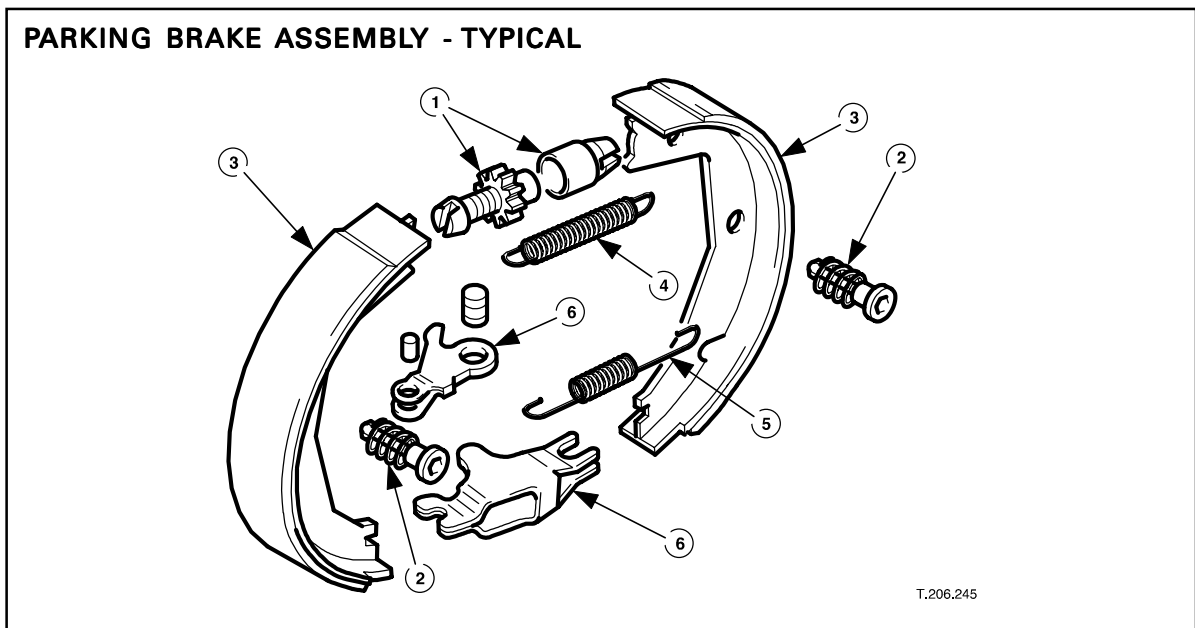


ILLUSTRATION 1

## MODIFICATION PROCEDURE

1. Raise and support the rear of the vehicle. Ensure that the parking brake is fully released.
2. Remove the rear wheels.
3. Disconnect the rear brake calipers, supporting them clear of the rear brake discs.
4. Without disturbing the adjustment of the parking brake shoes, remove the brake discs.
5. Release and remove the brake shoe lower return springs.
6. Slide a rubber sleeve over each spring. (See Parts Information).
7. Reinstall the springs, ensuring that the rubber sleeves are centered on each spring and that the sleeves exert a moderate pressure on the shoe spreader mechanism.
8. Reinstall the brake discs, pads, calipers and road wheels.

### Torque Wrench Settings:

Bolt - Caliper carrier to hub carrier:	54 - 66	Nm
Guide pin, caliper housing:	25 - 30	Nm
Road wheel nuts - steel wheels:	68 - 82	Nm
Road wheel nuts - alloy wheels:	88 - 102	Nm

## **PARTS INFORMATION:**

<u>DESCRIPTION</u>	<u>PART NUMBER</u>	<u>QTY</u>
Rubber Sleeve	MNF 2796AA	2

## **WARRANTY INFORMATION:**

<u>FAULT CODE</u>	<u>R.O. NUMBER</u>	<u>DESCRIPTION</u>	<u>TIME ALLOWANCE</u>
HL GH 33	70.91.22	Parking brakes shoes - lower tension spring rattle - service fix	1.10 hrs.