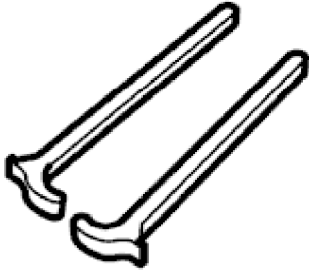


Fuel Injector Vehicles Without: Supercharger 18.10.01

Special Service tools



E36424

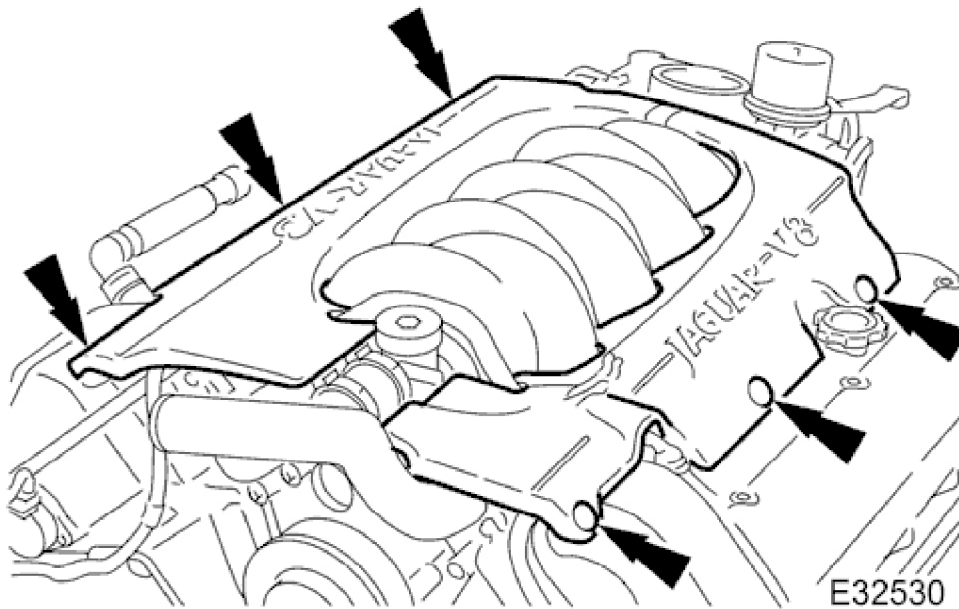
Remover - Fuel Injector
303-539 (JD 231)

Removal

1. Disconnect battery ground cable (IMPORTANT, see SRO <<86.15.19>> for further information).

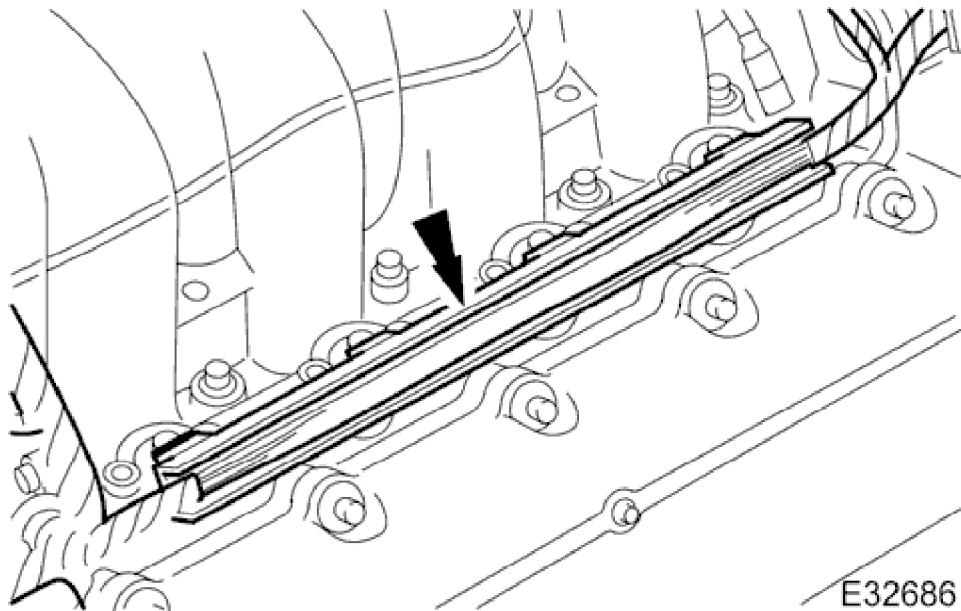
2.  **WARNING:**
BEFORE PROCEEDING, IT IS ESSENTIAL THAT THE WARNING NOTES GIVEN IN SECTION <<100-00>> (UNDER THE HEADING 'SAFETY PRECAUTIONS') ARE READ AND UNDERSTOOD.

Depressurize the fuel system; refer to <<19.50.02>>.

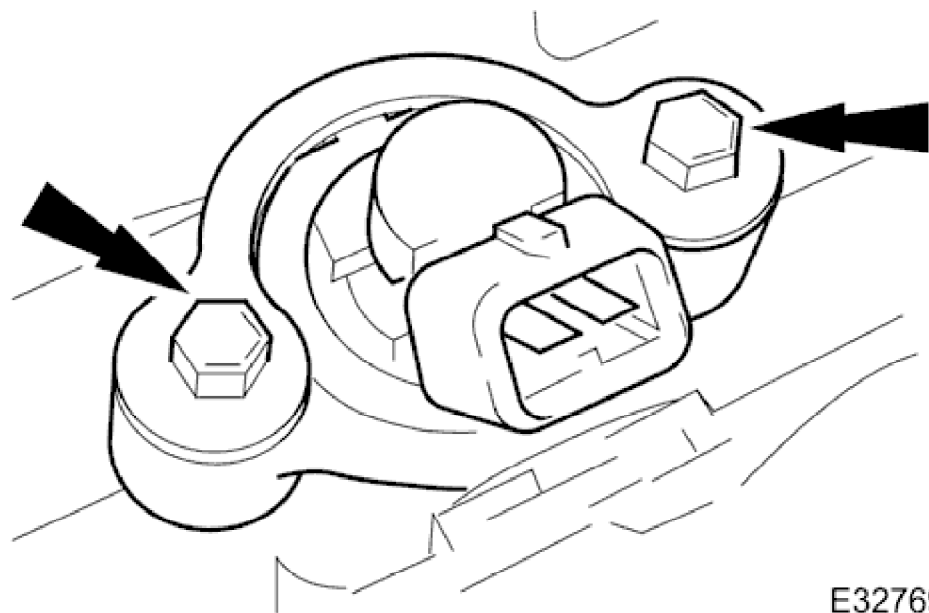


3. Remove engine covers.

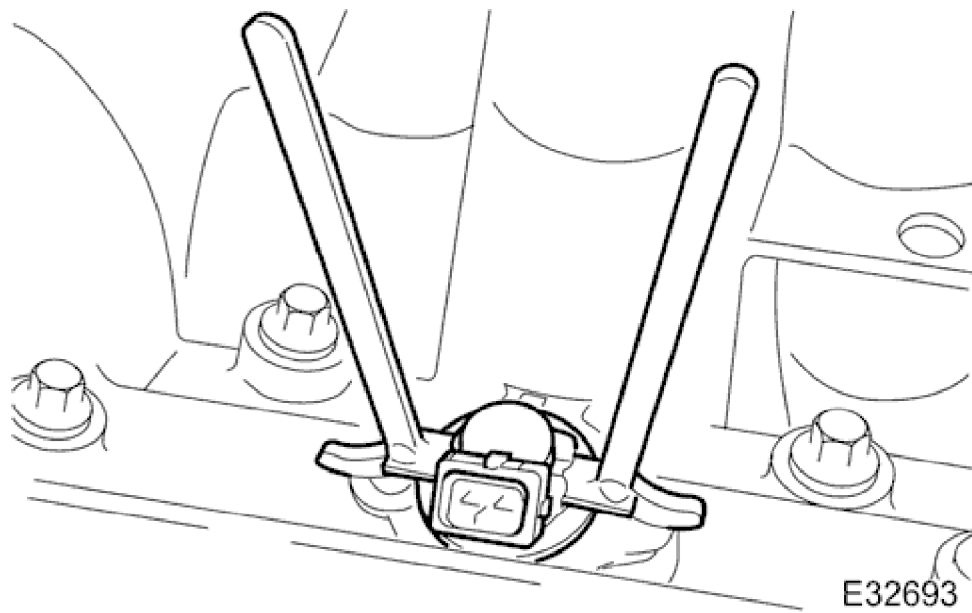
1998 XJ RANGE - Fuel Charging and Controls - 303-04



4. Disconnect bank 1 or 2 injector connectors and reposition harness to allow access to injectors.

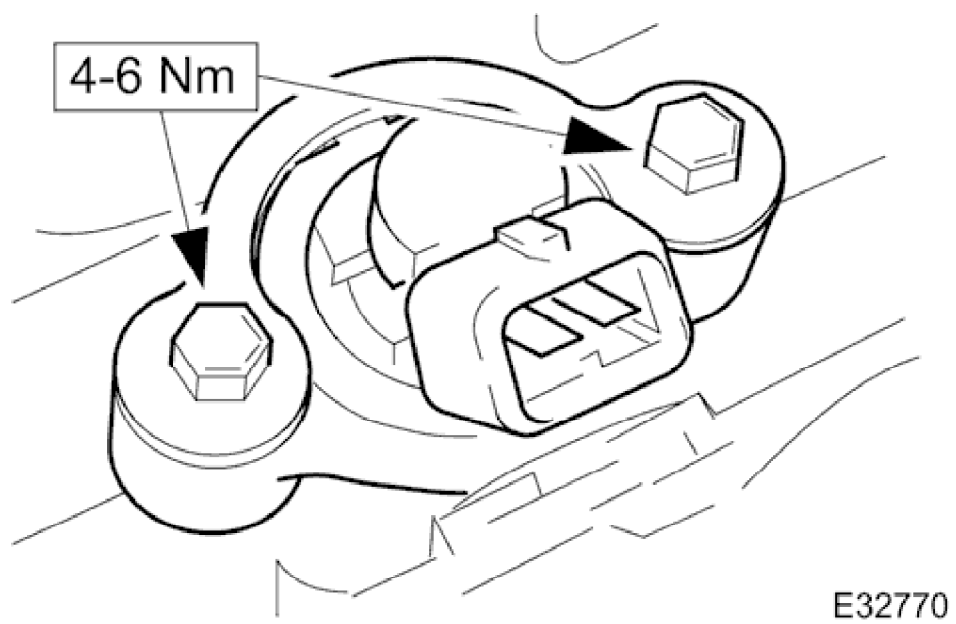


5. Remove bolts which secure fuel injector clamp plate to inlet manifold.



6. Using special tool JD-231, remove injector(s).
 - Discard seals and clean all mating faces.

Installation



1. Installation is a reversal of the removal procedure.
 - Install new seals and lubricate with petroleum jelly.