



V8 XJ Series/XK

DATE 02/02
amended 05/02

303-48

SERVICE

TECHNICAL BULLETIN

Coolant Leakage – Heater Hoses – Repair Procedure

MODEL
1997-99 MY XK Range
1998-99 MY V8 XJ Series
VIN
010343-042635
812256-878274

Remove and destroy Bulletin 303-48, dated 02/02.
Replace with this Bulletin.
Revisions are marked with a bar and in **bold text**.

ISSUE:

On some 1997-99 MY XK and 1998-99 MY XJ vehicles within the above VIN ranges, customers may complain of coolant leaking from the heater hoses.

ACTION:

In case of a customer complaint of coolant leakage on the above vehicles, replace both heater hoses. Once the heater hoses have been replaced, carry out chemical/water flush to coolant system as detailed in Technical Bulletin 303-11.

To replace both coolant heater feed and return hoses, follow the workshop procedure.

REMOVAL PROCEDURE - ALL VEHICLES

1. Open luggage compartment and disconnect the battery. (See JTIS CD-ROM, section: 414-01, SRO 86.15.01).
2. Open hood and fit fender protection covers.
3. Raise vehicle.
4. Drain radiator coolant.

SUPERCHARGED VEHICLES - ONLY

1. Place drip tray under vehicle.
2. Undo supercharger cooling radiator drain plug and allow coolant to drain.
3. Install and fully tighten supercharger coolant radiator drain plug.
4. Lower vehicle.
5. Remove supercharger assembly. (See JTIS CD-ROM, section: 303-12, SRO 18.50.15).
6. Continue with removal procedure.

NORMALLY ASPIRATED VEHICLES - ONLY

1. Lower vehicle.

2. Remove engine cover set.
3. Remove air intake tube, air flow meter, and air cleaner cover assembly for access.
4. Remove throttle housing. (See JTIS CD-ROM, section: 303-12, SRO 19.70.04).
5. Disconnect vacuum pipe from center of induction elbow.
6. Remove throttle induction elbow support bracket upper securing bolts.
7. Disconnect vacuum pipe from front of throttle induction elbow.
8. Disconnect engine breather 'T' piece from throttle induction elbow.
9. Loosen but do not remove throttle induction elbow support bracket lower bolts.
10. Disconnect fuel injector electrical connectors.
11. Remove expansion tank breather support bracket securing nut.
12. Remove support bracket from expansion tank breather pipe.
13. Disconnect fuel feed hose quick fit connector using special tool JD182.
14. Disconnect fuel return hose quick fit connector using special tool JD203.
15. Remove intake manifold securing bolts.
16. Remove intake manifold from cylinder head.
17. Continue with removal procedure.

REMOVAL PROCEDURE - ALL VEHICLES (CONT.)

1. Remove clip from heater feed hose at heater pipe and disconnect hose.
2. Remove clip on heater feed hose at coolant outlet pipe and disconnect hose. (Illustration 1)

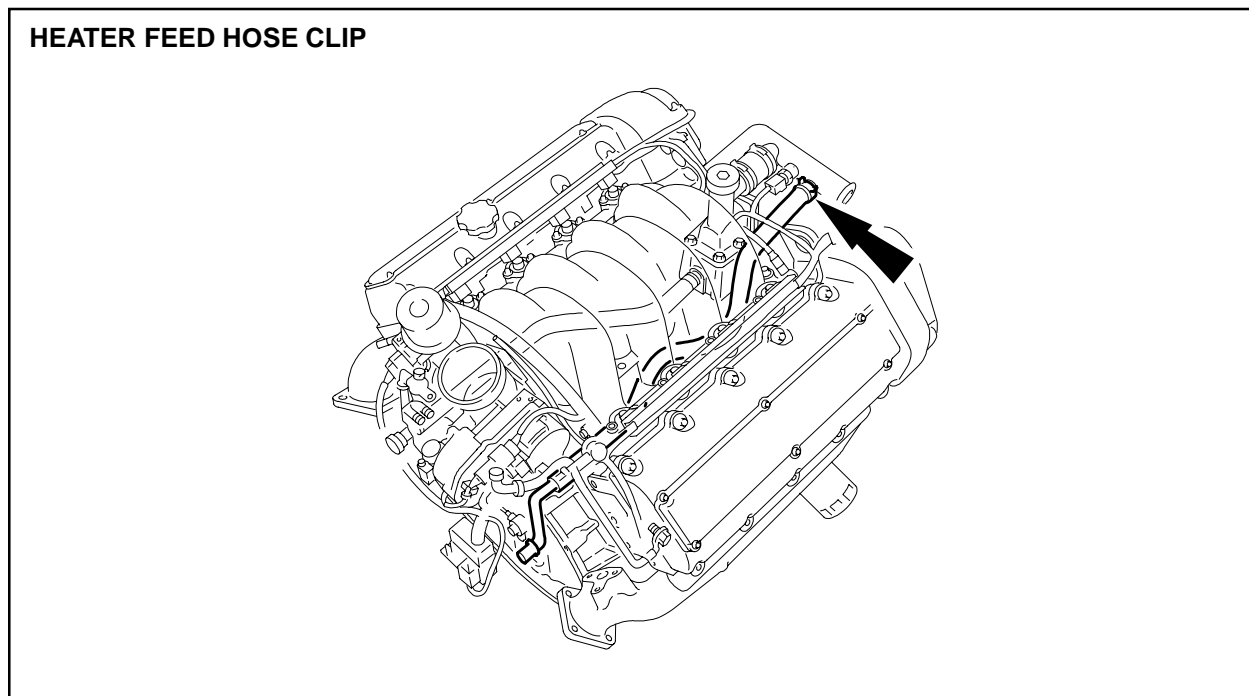


ILLUSTRATION 1

3. Remove clip from heater return hose at water pump housing and disconnect hose.

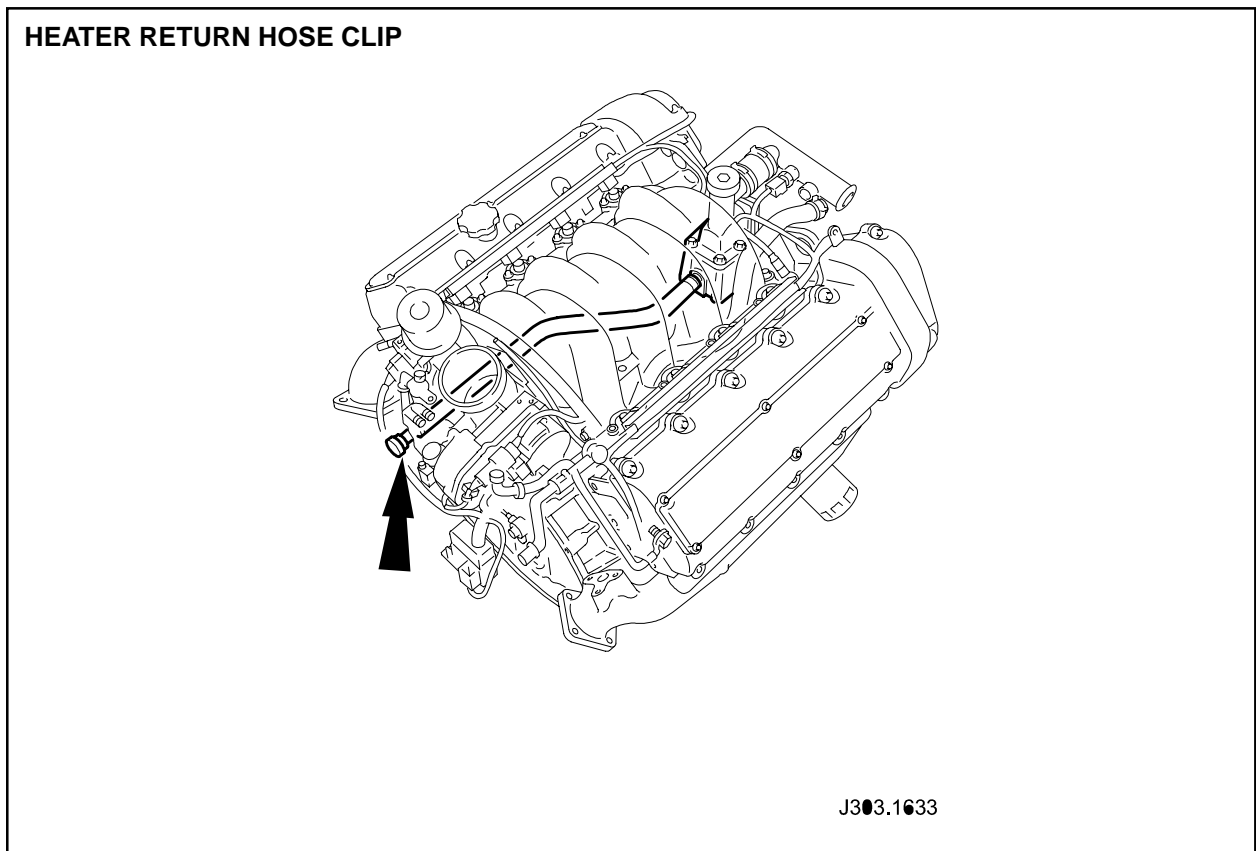


ILLUSTRATION 2

4. Remove clip on heater return hose from three-way connector and disconnect hose. (Illustration 2)

⚠ Caution: Immediately wash away any coolant spilled on the vehicle bodywork.

5. Remove heater feed and return hoses.

INSTALLATION PROCEDURE - ALL VEHICLES

1. Install and fully seat new heater return hose to water pump housing and tighten retaining clip.
2. Install and fully seat new heater return hose to three-way connector and tighten retaining clip.
3. Install and fully seat new heater feed hose to heater pipe and tighten retaining clip.
4. Install and fully seat new heater feed hose to coolant outlet pipe and tighten retaining clip.

NORMALLY ASPIRATED VEHICLES - ONLY

1. Clean inlet manifold faces.
2. Install and fully seat new seals to inlet manifold.
3. Install and tighten inlet manifold.
4. Reconnect fuel return and feed hoses.
5. Reposition and install support bracket to expansion tank breather pipe.
6. Install and fully tighten expansion tank breather support bracket securing nut.
7. Reconnect fuel injector electrical connectors.
8. Reconnect engine breather 'T' piece to throttle induction elbow.
9. Reconnect vacuum pipe to front of throttle induction elbow.
10. Install and tighten throttle induction elbow support bracket upper securing bolts.
11. Fully tighten throttle induction elbow support bracket lower securing bolts.
12. Reconnect vacuum pipe to center of induction elbow.
13. Install throttle housing. (See JTIS CD-ROM, section: 303-12, SRO 19.70.04).
14. Install air intake tube, air flow meter and air cleaner cover assembly.
15. Install engine cover set.

SUPERCHARGED VEHICLES - ONLY

1. Install Supercharger assembly. (See JTIS CD-ROM, section: 303-12, SRO 18.50.15).

INSTALLATION PROCEDURE - ALL VEHICLES (CONT.)

1. Follow battery reconnection procedure (See JTIS CD-ROM, section: 414-01, SRO 86.15.15).
2. Refill cooling system with XLC Extended Life coolant (specification: WSSM97B44-D)

⚠ Caution: Before the use of havoline XLC extended life coolant is permitted on Jaguar vehicles (prior to VIN 042636 XK series vehicles and VIN 878274 V8 XJ series vehicles), the chemical/ water flushing procedure outlined in steps 1 "Heater Core Coolant Circulation Test" and step 2 "Chemical Flushing Procedure" of technical bulletin 303-11 must be carried out.

Note: If Technical Bulletin 303-11 Insufficient Heat From Heater has been carried out previously, coolant flush is not required. XLC Extended Life Coolant (specification: WSS M97B44-D) may be recognized by its orange color.

Parts Information:

<u>DESCRIPTION</u>	<u>PART NUMBER</u>	<u>QTY</u>
O-Ring - drain plug - XK	JLM 20622	1
O-Ring - drain plug - XJ	JLM 20628	1
Header tank label - XK-XJ-XJR	XR8 13289	1
Supercharger duct seal - XJR	AJ8 1446	2
Heater feed hose - XK-XJ	NCA 3945CD	1
Heater feed hose - XJR	NCC 3945AC	1
Heater return hose - XJR	NNE 3946CA	1
Inlet manifold gaskets - XK-XJ	AJ8 3356	8
Inlet manifold gaskets - XJR	NCC 3018AB	8
Hose clip - XK-XJ-XJR	JHC 501401	1
Radiator flushing Kit - XK-XJ-XJR	JLM 20361	2
Throttle body gasket - XK-XJ-XJR	NCA 3021BA	1
Outlet elbow seal - XJR	NCC 7735BA	1
Water outlet seals - XK-XJ-XJR	NCA 2268BA	1
Induction elbow to supercharger gasket - XJR	NCC 7754BA	1
Supercharger bypass valve o-ring - XJR	KSC 137624	1
XLC Extended Life Coolant - 1 liter - XK-XJ-XJR	JLM 20972/2	1
XLC Extended Life Coolant - 5 liter - XK-XJ-XJR	JLM 20972/3	1

Warranty Information:

<u>FAULT CODE</u>	<u>R.O. NUMBER</u>	<u>DESCRIPTION</u>	<u>TIME ALLOWANCE</u>
DJ BC 01	26.31.38	Heater Feed and Return Hoses- Renew	
		XK Series	2.4 hrs.
		XJ Series	2.1 hrs.
DJ BC 01	26.91.03	XJR Series	2.9 hrs.
		Chemical/water flush procedure	
		XK Series	3.5 hrs.
		XJ-XJR Series	3.2 hrs.